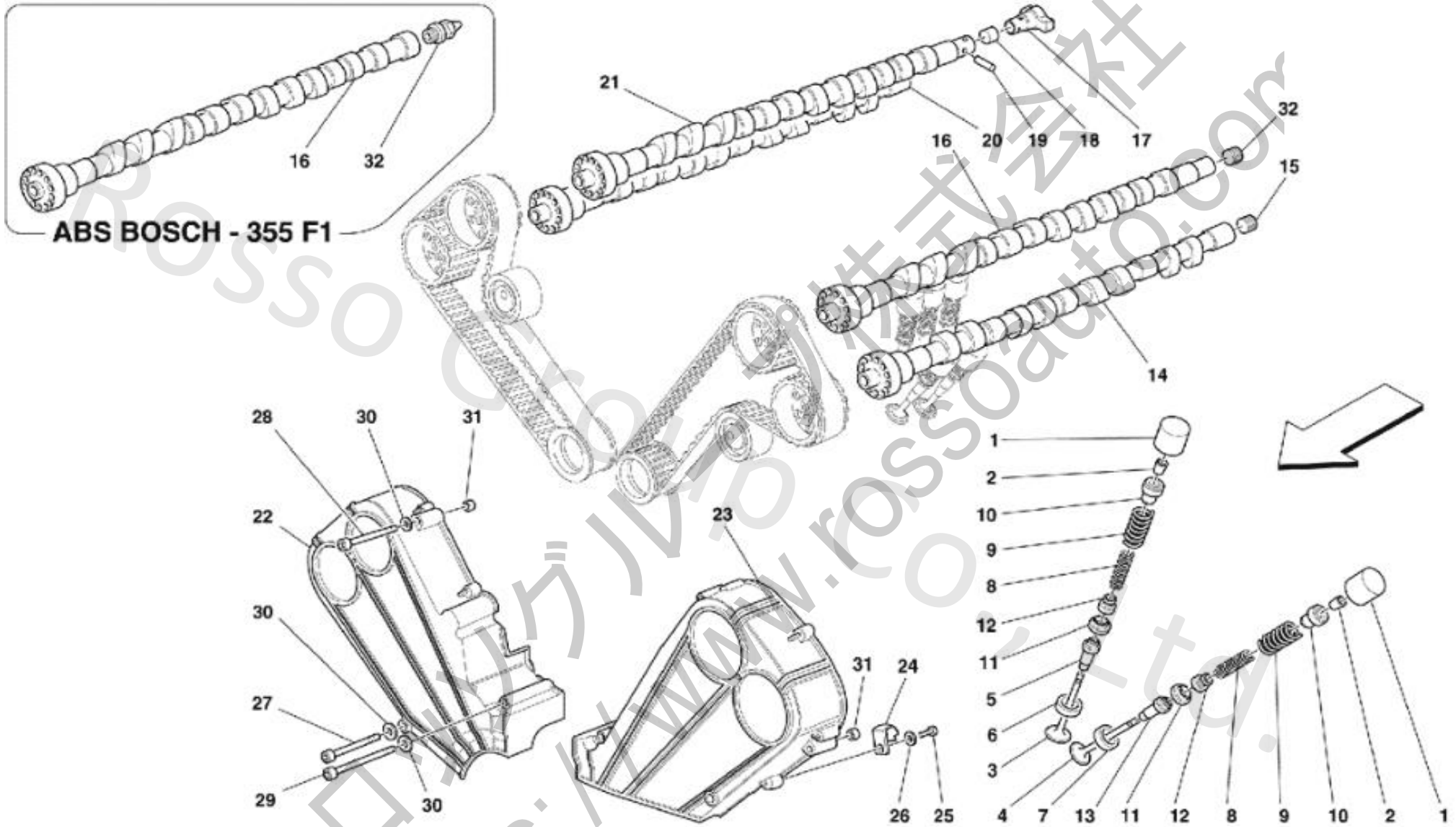


005 Timing -Tappets and Shield



005 Timing -Tappets and Shield

No.	Part No.	Name	Qty
1	195017	TAPPET FOR VALVE CONTROL	40
2	157986	COTTER FOR VALVE SPRING CUP	80
3	160921	INTAKE VALVE	24
4	157988	EXHAUST VALVE	16
5	176437	INTAKE VALVE GUIDE	24
5	176437	INTAKE VALVE GUIDE	24
5	176437	INTAKE VALVE GUIDE	24
5	176483	INTAKE VALVE GUIDE - OVERSIZED	24
5	176483	INTAKE VALVE GUIDE - OVERSIZED	24
5	176483	INTAKE VALVE GUIDE - OVERSIZED	24
6	148234	INTAKE VALVE SEAT	24
7	6140702	EXHAUST VALVE SEAT	16
8	149889	INNER SPRING FOR VALVE RETURN	40
9	149888	OUTER SPRING FOR VALVE RETURN	40
10	157989	UPPER CUP	40
11	172466	LOWER CUP	40
11	172466	LOWER CUP	40
12	148153	OIL RING FOR VALVE GUIDE	40
13	176438	EXHAUST VALVE GUIDE	16
13	176438	EXHAUST VALVE GUIDE	16
13	176438	EXHAUST VALVE GUIDE	16
13	148191	EXHAUST VALVE GUIDE - OVERSIZED	16
13	176484	EXHAUST VALVE GUIDE - OVERSIZED	16
13	176484	EXHAUST VALVE GUIDE - OVERSIZED	16
14	149093	COMPLETE L.H. EXHAUST CAM SHAFT	1
15	10269550	THREADED PLUG	2
16	174760	COMPLETE L.H. INDUCTION DISTRIBUTION SHAFT	1
16	166660	COMPLETE L.H. INDUCTION DISTRIBUTION SHAFT	1
17	180314	COUPLING ON THE CAM SHAFT	1
17	151194	COUPLING ON THE CAM SHAFT	1
17	171447	COUPLING ON THE CAM SHAFT	1
18	10158501	PLUG	1
19	149859	DOWEL BOLT	2
20	149376	COMPLETE R.H. EXHAUST CAM SHAFT	1
21	171448	COMPLETE R.H. INDUCTION DISTRIBUTION SHAFT	1
21	171448	COMPLETE R.H. INDUCTION DISTRIBUTION SHAFT	1
22	163877	R.H. GUARD	1
23	163876	L.H. GUARD	1

005 Timing -Tappets and Shield

24	159521 CLIP	1
25	10977624 SCREW	1
26	127493 WASHER	1
27	156829 SCREW	2
28	156830 SCREW	4
29	156839 SCREW	2
30	12604274 WASHER	8
31	104339 SPACER	4
32	174759 OIL DELIVERY NOZZLE	1
32	10269550 THREADED PLUG	1

ロッシオーターズ株式会社
<https://www.rossoauto.com>