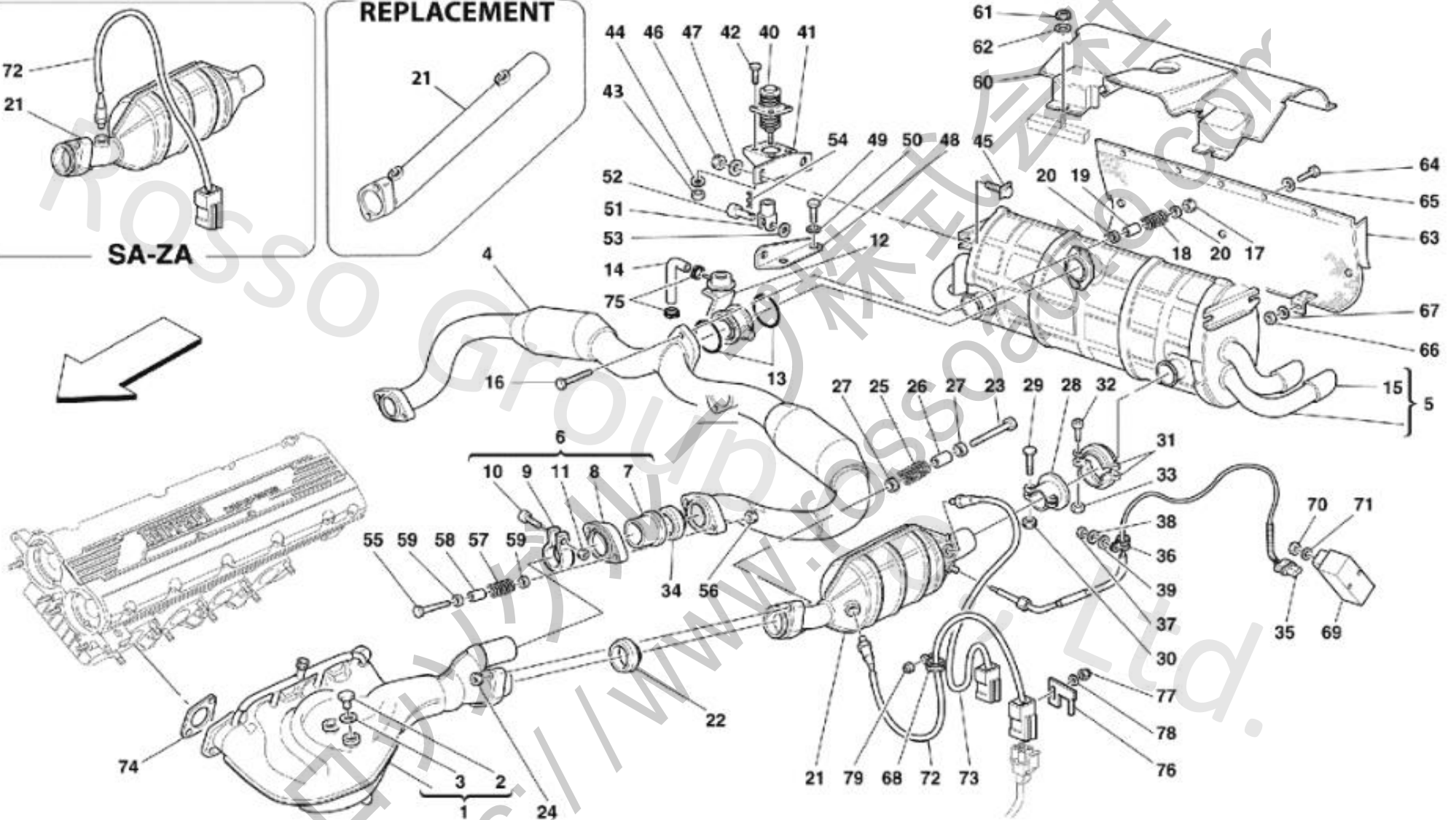
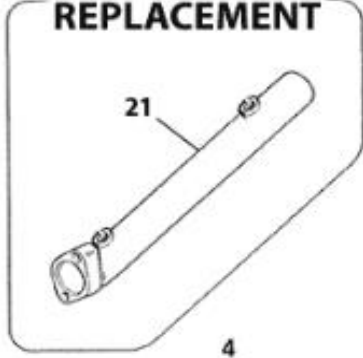
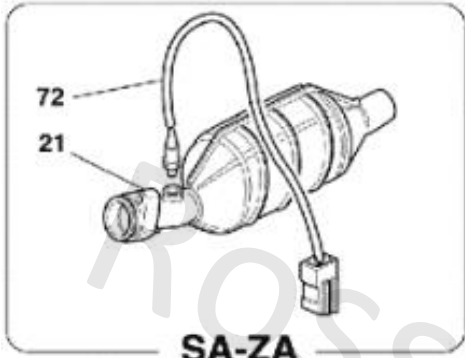


016 Exhaust System

**CATALYST
REPLACEMENT**



<https://www.flycar.com>

016 Exhaust System

No.	Part No.	Name	Qty
1	179948	L.H. EXHAUST MANIFOLD	1
1	179948	L.H. EXHAUST MANIFOLD	1
1	179947	R.H. EXHAUST MANIFOLD	1
1	179947	R.H. EXHAUST MANIFOLD	1
2	110860	THREADED PLUG	8
3	10298460	GASKET	8
4	168977	COMPLETE BY-PASS TUBE	1
4	164526	COMPLETE BY-PASS TUBE	1
4	168827	COMPLETE BY-PASS TUBE	1
4	168977	COMPLETE BY-PASS TUBE	1
5	168568	COMPLETE EXHAUST SILENCER	1
5	165184	COMPLETE EXHAUST SILENCER	1
6	141874	STUB PIPE COMPLETE OF FLANGE AND CLAMP	2
7	141007	STUB PIPE	2
8	136510	FLANGE	2
9	141008	CLAMP FOR EXTENSION	2
10	14433174	SCREW	2
11	116416	NUT	2
12	155006	BY-PASS VALVE	1
12	F3556F00	CAPRISTO BY-PASS VALVE	1
13	119368	GASKET	2
14	169693	RUBBER HOSE FROM PIPE TO VALVE	1
14	168069	RUBBER HOSE FROM PIPE TO VALVE	1
15	159983	TERMINAL COVER	4
16	164557	SCREW	2
17	174587	NUT	2
18	111743	SPRING	2
19	114749	SPACER	2
20	12646778	WASHER	4
21	176206	L.H. CATALYST	1
21	168571	L.H. CATALYST	1
21	192945	L.H. CATALYST	1
21	171684	L.H. EXHAUST PRE-MUFFLER	1
21	192944	R.H. CATALYST	1
21	168570	R.H. CATALYST	1
21	176205	R.H. CATALYST	1
21	171683	R.H. EXHAUST PRE-MUFFLER	1
22	154984	GASKET	2

016 Exhaust System

23	137431 SCREW	4
24	114748 NUT	4
25	111743 SPRING	4
26	114749 SPACER	4
27	112761 WASHER	8
28	157417 FLANGE	2
29	162647 SCREW	4
30	174587 NUT	4
31	157474 CLAMP	4
31	EC355 EXHAUST CLAMP HE	2
32	167266 SCREW	4
33	176921 NUT	4
34	154984 GASKET	2
35	157501 THERMOCOUPLE	2
36	10441190 BRACKET WITH SHEATH	2
37	114748 NUT	2
38	127494 WASHER	2
39	14496424 WASHER	2
40	139180 PAD	2
41	136877 BRACKET	2
42	10977624 SCREW	8
43	15896470 NUT	8
44	127493 WASHER	8
45	137534 SCREW	4
46	114748 NUT	4
47	112761 WASHER	4
48	157344 L.H. SMALL PLATE	1
48	157343 R.H. SMALL PLATE	1
49	16043221 SCREW	4
50	127496 WASHER	4
51	10007871 FORK	2
52	10050814 PIN	2
53	10519624 WASHER	2
54	10734301 SPLIT PIN	2
55	137431 SCREW	4
56	114748 NUT	4
57	111743 SPRING	4
58	114749 SPACER	4
59	12646778 WASHER	8

016 Exhaust System

60	64611800	HEAT PROTECTION UPPER SHIELD	1
61	15896211	NUT	5
62	12644424	WASHER	5
63	65099000	HEAT PROTECTION SHIELD	1
63	64296400	HEAT PROTECTION SHIELD	1
64	13836521	SCREW	2
65	12643724	WASHER	2
66	14048115	NUT	2
67	12639724	WASHER	2
68	10441290	BRACKET WITH SHEATH	4
69	179278	CATALYST TEMPERATURE CONTROL STATION	1
69	179278	CATALYST TEMPERATURE CONTROL STATION	1
70	62790300	NUT	2
71	10519224	WASHER	2
72	169953	FRONT LAMBDA FEELER	2
72	168928	LAMBDA FEELER	2
73	165170	REAR LAMBDA FEELER	2
74	151064	GASKET	8
75	157990	SCREW COLLAR	2
76	155751	CLIP	2
77	62790300	NUT	2
78	10519224	WASHER	2
79	102741	NUT	4

株式会社
<https://www.rossoauto.com>