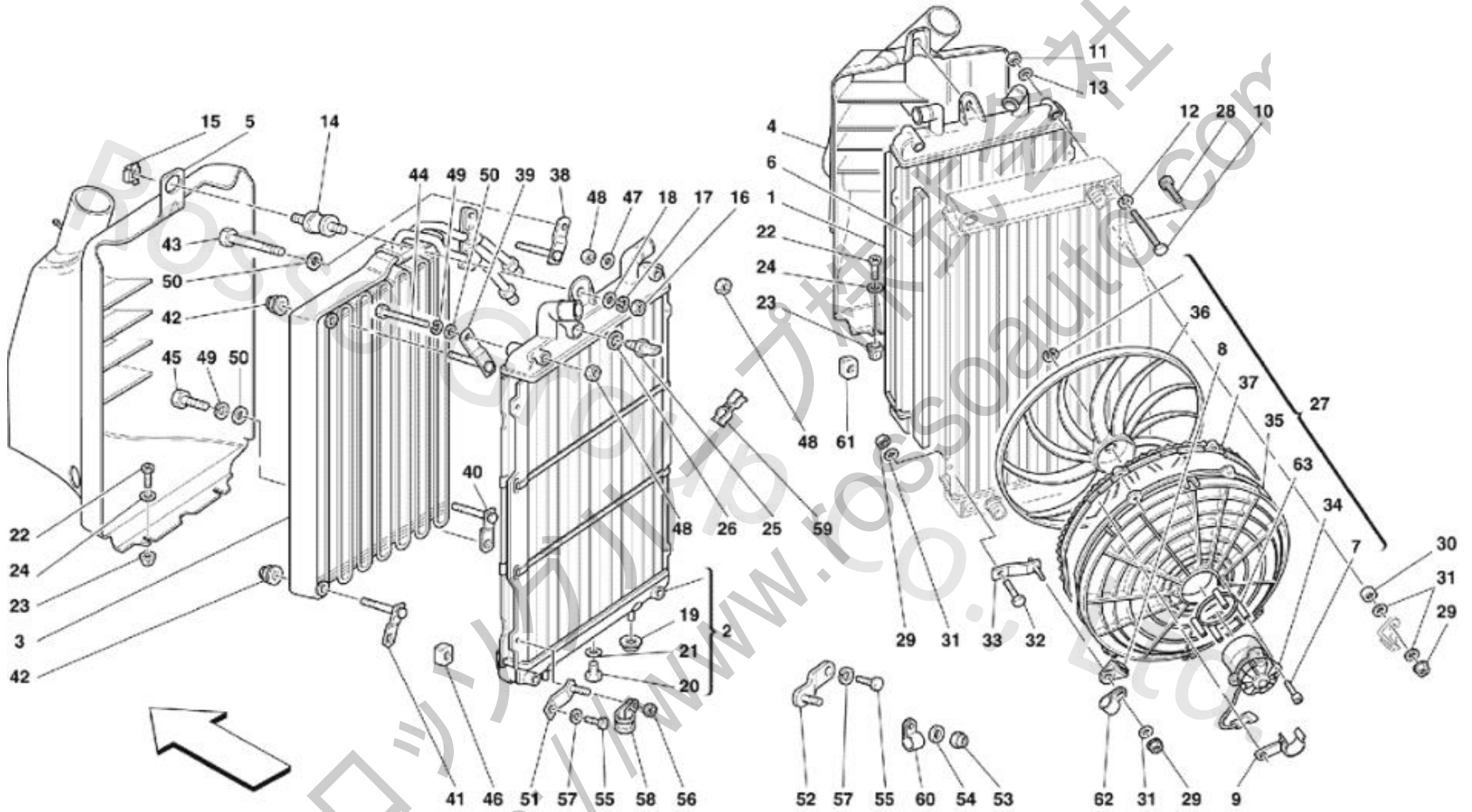


021 Cooling System Radiators



021 Cooling System Radiators

No.	Part No.	Name	Qty
1	157589	WATER R.H. RADIATOR	1
2	157590	WATER L.H. RADIATOR	1
3	62963600	A.C. CONDENSER	1
4	64525700	R.H. AIR INLET	1
5	65513500	L.H. AIR INLET	1
6	158243	GASKET	2
7	166550	SCREW	8
8	177930	SUPPORT	8
8	166548	SUPPORT	8
9	162751	FLEXIBLE CLIP	1
10	16045624	SCREW	4
11	133989	NUT	2
12	127496	WASHER	4
13	14496524	WASHER	4
14	157650	PAD	2
15	14074890	NUT WITH CAGE	2
16	133989	NUT	2
17	127496	WASHER	2
18	124338	WASHER	2
19	137624	ANTIVIBRATION PAD	4
20	159923	THREADED PLUG	2
21	140150	O.R. GASKET	2
22	15903970	SCREW	10
23	14202580	BLOCK	10
24	12638124	WASHER	10
25	158655	TEMPERATURE SWITCH	1
26	101508	GASKET	1
27	173030	COMPLETE ELECTROFAN	2
27	173030	COMPLETE ELECTROFAN	2
28	10902724	SCREW	2
28	10903024	SCREW	2
29	102741	NUT	6
30	162424	SPACER	2
30	173032	SPACER	2
31	12644424	WASHER	8
32	10902024	SCREW	2
33	162422	SMALL PLATE	2
34	153174	ELECTRIC FAN MOTOR	2

021 Cooling System Radiators

35	152920 AIR CONVEYOR	2
36	164096 BLOWER	2
37	164097 RUBBER EDGE	2
38	64303200 R.H. UPPER BRACKET	1
39	64255200 L.H. UPPER BRACKET	1
40	64306300 R.H. LOWER BRACKET	1
41	64255600 L.H. LOWER BRACKET	1
42	15896211 NUT	4
43	16044624 SCREW	1
44	16044424 SCREW	1
45	16043324 SCREW	2
46	14095511 NUT	2
47	64322200 WASHER	1
48	133989 NUT	3
49	127496 WASHER	3
50	14496524 WASHER	4
51	162423 SMALL PLATE	2
51	173038 SMALL PLATE	2
52	162422 SMALL PLATE	2
52	173036 SMALL PLATE	2
53	102741 NUT	4
54	12644424 WASHER	4
55	10902124 SCREW	4
56	102741 NUT	4
57	127494 WASHER	4
58	10441690 BRACKET WITH SHEATH	2
59	164374 FLEXIBLE CLIP	1
60	10418301 BRACKET	1
61	14095511 NUT	2
62	10418301 BRACKET	1
63	163996 SPACER SUPPORT	1