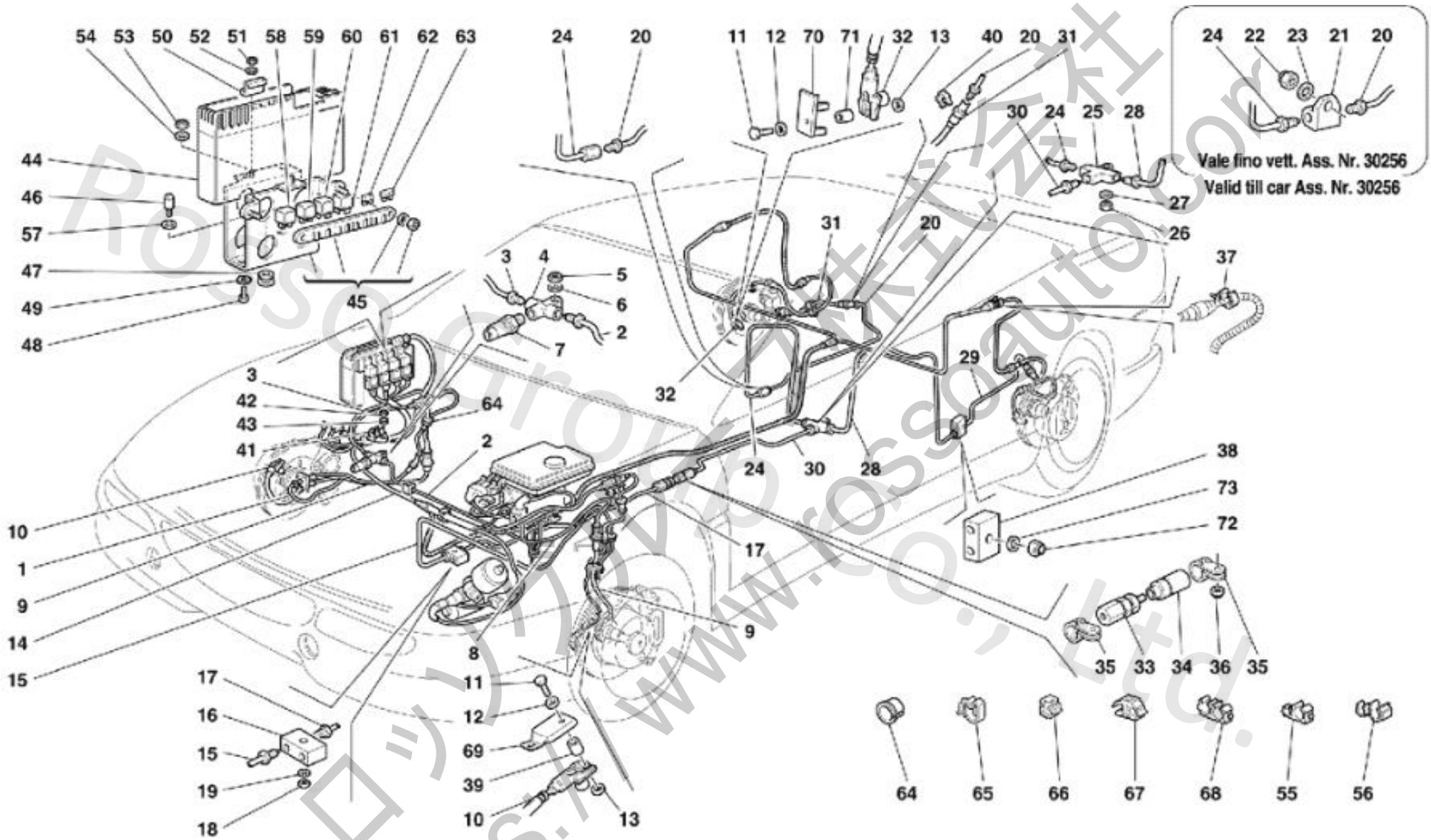


041 ABS Tev..Valid Bosch andF1



041 ABS Tev..Valid Bosch andF1

No.	Part No.	Name	Qty
1	143669	PIPE TO L.H. FRONT CALIPER	1
1	143641	PIPE TO R.H. FRONT CALIPER	1
2	156240	BRAKE PIPE FROM CENTER UNIT TO R.H. FRONT UNION	1
2	161367	BRAKE PIPE FROM CENTER UNIT TO R.H. FRONT UNION	1
3	156241	BRAKE PIPE FROM UNION TO R.H. FRONT FLEXIBLE PIPE	1
4	10104661	3-WAY UNION	1
5	102741	NUT	1
6	12639724	WASHER	1
7	154309	PRESSURE SWITCH	1
8	153472	BRAKE PIPE FROM CENTER UNIT TO L.H. REAR FLEXIBLE PIPE	1
8	162754	BRAKE PIPE FROM CENTER UNIT TO L.H. REAR FLEXIBLE PIPE	1
9	116373	FRONT BRAKE FLEXIBLE PIPE	2
10	139639	FRONT SENSOR	2
11	10902724	SCREW	4
12	12601274	WASHER	4
13	154747	THICKNESS	4
14	160892	CABLES FOR ANTISKID DEVICES CONNECTION	1
14	158042	CABLES FOR ANTISKID DEVICES CONNECTION	1
15	162755	BRAKE PIPE FROM CENTER UNIT TO 2-WAY UNIT	1
15	159756	BRAKE PIPE FROM CENTER UNIT TO 2-WAY UNIT	1
16	139375	2-WAY UNION	1
17	145074	PIPE FROM 2-WAY UNION TO BRAKING CORRECTOR	1
18	102741	NUT	1
19	12639724	WASHER	1
20	165286	BRAKE PIPE FROM UNION TO REAR R.H. FLEXIBLE	1
20	178669	BRAKE PIPE FROM UNION TO REAR R.H. FLEXIBLE	1
21	155215	R.H. TWO-WAY UNION	1
22	102741	NUT	1
23	12639724	WASHER	1
24	145076	BRAKE PIPE FROM THREE-WAY UNION TO R.H. UNION	1
24	178668	BRAKE PIPE FROM THREE-WAY UNION TO R.H. UNION	1
25	10104661	3-WAY UNION	1
26	102741	NUT	1
27	12639724	WASHER	1
28	162756	BRAKE PIPE FROM THREE-WAY UNION TO L.H. UNION	1
29	176226	BRAKE PIPE FROM UNION TO REAR L.H. FLEXIBLE	1
30	145075	BRAKE PIPE FROM CORRECTOR TO THREE-WAY UNION	1
31	271712	REAR BRAKE FLEXIBLE PIPE	2
32	139479	REAR SENSOR	2
33	134597	DELAY VALVE	1
34	157908	BRAKING REGULATOR	1
35	10441990	BRACKET WITH SHEATH	2

36	102741 NUT	2
37	161639 FLEXIBLE CLIP	2
38	139375 UNION	1
39	159713 SPACER	2
40	116374 CLIP	4
41	128292 CLIP	2
42	62790300 NUT	2
43	10519224 WASHER	2
44	148838 ELECTRONIC CONTROL STATION	1
45	158013 BRACKET FOR CONTROL UNIT FIXING	1
45	158012 BRACKET FOR CONTROL UNIT FIXING	1
46	137144 PIN	1
47	103549 CABLE GROMMET	1
48	11021111 SCREW	2
49	10615274 WASHER	2
50	142382 PLATE	2
50	138500 PLATE	2
51	169180 NUT	2
52	10519378 WASHER	2
53	102948 NUT	2
54	12646601 WASHER	2
55	140742 ELASTIC SPRINGS ASSEMBLY	4
56	150695 CLIP	2
57	104731 WASHER	1
58	158092 DIODES CONTAINER	1
59	158091 ABS ELECTRONIC UNIT RELAY	1
60	158090 ABS PUMP MOTOR RELAY	1
61	131940 SYSTEM RELEASE RELAY	1
62	131942 3 A. FUSE	1
63	131941 30 A. FUSE	2
64	105369 CABLE GROMMET	3
65	140798 CLIP	1
66	141505 CLIP	17
67	141522 CLIP	7
68	140130 FRONT AND REAR PIPE FIXING MODULE	8
68	145544 FRONT PIPE FIXING MODULE	4
69	159663 L.H. FRONT SENSOR PROTECTION	1
69	159662 R.H. FRONT SENSOR PROTECTION	1
70	159758 REAR SENSOR PROTECTION	2
71	159713 SPACER	2
72	102741 NUT	1
73	12639724 WASHER	1