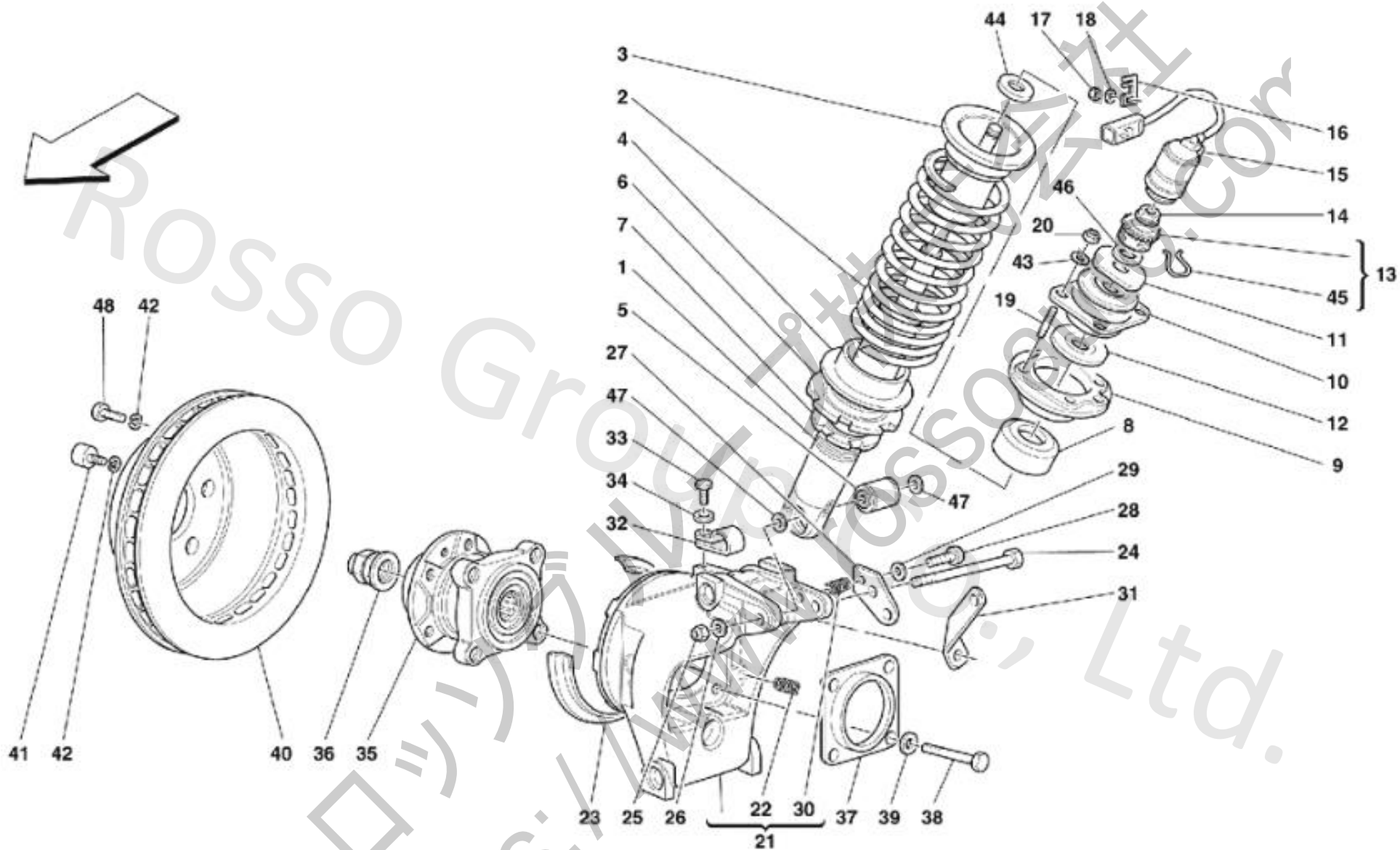


050 Rear Suspension -Shock ...



## 050 Rear Suspension -Shock ...

No.	Part No.	Name	Qty
1	183634	REAR SHOCK ABSORBER	2
2	151882	SPRING	2
2	150415	SPRING	2
3	165555	UPPER SPACER	2
4	113581	LOWER SPACER	2
5	157630	SILENT BLOCK BUSH	2
6	155086	SPACER	2
7	141860	RING NUT	2
8	163599	PAD	2
9	151547	SPRING RETAINING CUP	2
10	114812	HYPERBLOCK	2
11	137825	WASHER	2
12	152654	WASHER	2
13	137824	ACTUATOR SUPPORT	2
14	137826	NUT	2
15	158732	SHOCK ABSORBER ACTUATOR	2
16	155751	CLIP	2
17	62790300	NUT	2
18	10519224	WASHER	2
19	12354524	STUD	8
20	104030	NUT	8
21	178373	L.H. REAR HUB HOLDER	1
21	175476	L.H. REAR HUB HOLDER	1
21	162939	L.H. REAR HUB HOLDER	1
21	178372	R.H. REAR HUB HOLDER	1
21	175475	R.H. REAR HUB HOLDER	1
21	162938	R.H. REAR HUB HOLDER	1
22	133771	THREADED INSERT	4
23	103117	MUDGUARDS COVER	2
24	159309	SCREW	2
25	102825	NUT	2
26	12601571	WASHER	2
27	159308	BALL TIE ROD FIXING PLATE	2
28	60909500	SCREW	2
29	127494	WASHER	2
30	13525470	THREADED INSERT	2
31	140675	L.H. BRACKET	1
31	140674	R.H. BRACKET	1

## 050 Rear Suspension -Shock ...

32	10418501 BRACKET	2
33	10902024 SCREW	2
34	12601274 WASHER	2
35	157900 HUB COMPLETE BEARING	2
36	209184 NUT	2
37	139900 HUB HOLDER DUCT PROTECTION	2
38	139973 SCREW	8
39	12601474 WASHER	8
40	169831 REAR BRAKE DISC	2
40	160052 REAR BRAKE DISC	2
41	157841 BRAKE DISC FIXING AND WHEEL CENTERING SCREW	2
42	127496 WASHER	4
43	12638524 WASHER	8
44	157104 BUSHING	2
45	142079 CLIP	2
46	160461 WASHER	2
47	153496 SPACER WASHER MM. 2,9	8
47	153495 SPACER WASHER MM. 3,0	8
47	153497 SPACER WASHER MM. 3,1	8
48	16043424 BRAKE DISC FIXING SCREW	2

ロッセオ自動車株式会社  
<https://www.rossoauto.com>