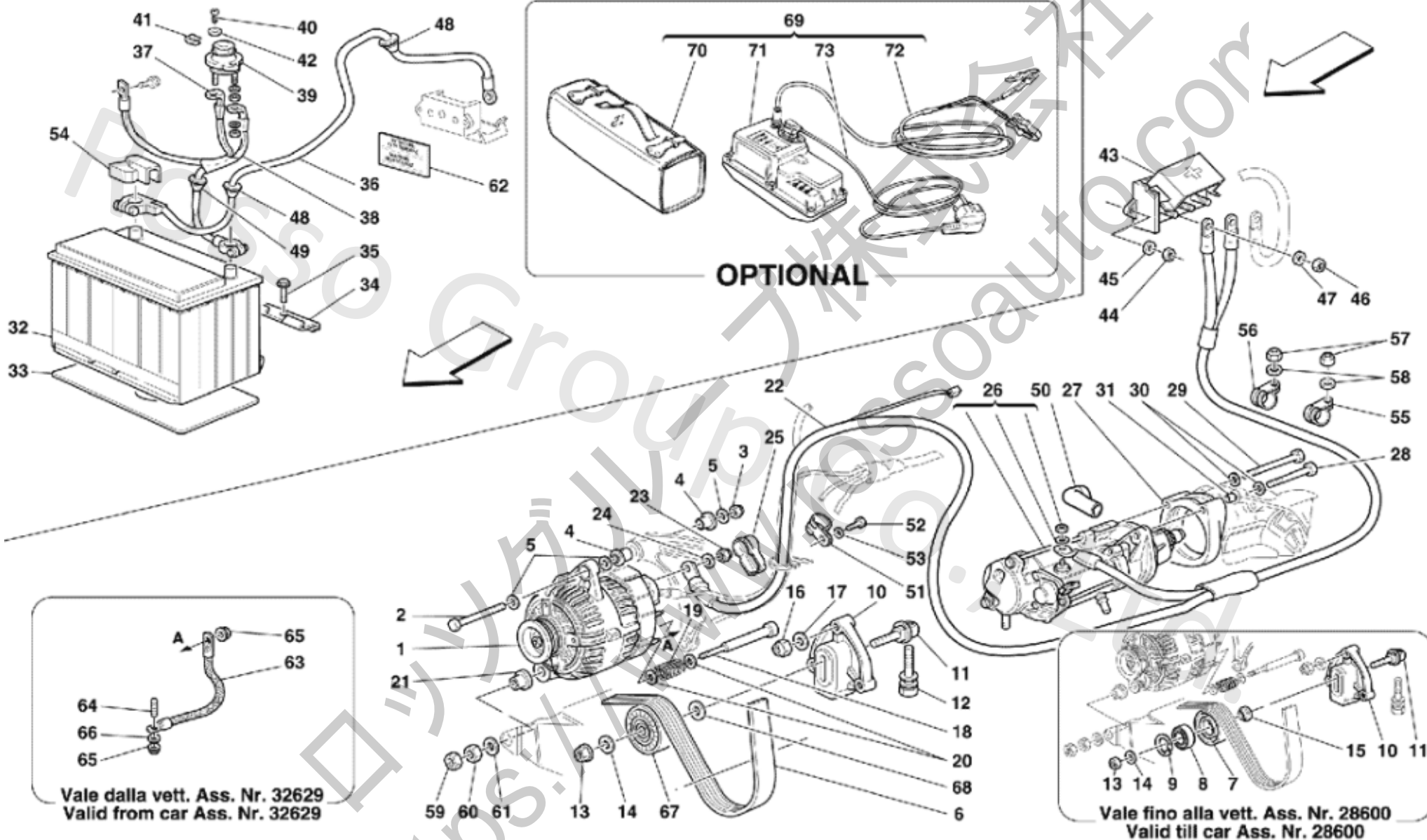


053 Current Generator ...



053 Current Generator ...

No.	Part No.	Name	Qty
1	158047	140 A. ALTERNATOR	1
2	15971321	SCREW	1
3	102742	NUT	1
4	163834	ESTENDBLOCK	2
5	13550421	WASHER	3
6	199833	GENERATOR CONTROL BELT	1
6	199837	GENERATOR CONTROL BELT	1
7	148632	BELT TIGHTENING PULLEY	1
7	148632H	BELT TIGHTENING PULLEY HE	1
8	123350	BEARING	1
9	11060076	SEEGER RING	1
10	172526	BELT TIGHTENING SUPPORT BRACKET	1
10	153687	BELT TIGHTENING SUPPORT BRACKET	1
11	148630	THREADED PIN	1
11	172527	THREADED PIN	1
12	157289	SCREW	1
13	148020	NUT	1
13	133216	NUT	1
14	101016	WASHER	1
14	102695	WASHER	1
15	158180	SPACER	1
16	101139	NUT	3
17	12601374	WASHER	3
18	166563	SCREW	1
19	111743	SPRING	1
20	164469	WASHER	2
21	164467	BUSHING	1
22	157506	ALTERNATOR-STARTER MOTOR-TERMINAL BOX CONNECTING CABLE	1
23	16102314	NUT	1
24	12601374	WASHER	1
25	154803	BOOT	1
26	155166	STARTER MOTOR	1
27	155873	STARTER MOTOR SUPPORT	1
28	16044521	SCREW	2
29	16045024	SCREW	1
30	12601374	WASHER	3
31	100041	DOWEL	2
32	180055	BATTERY 12V-70AH-420A	1
33	63653600	ANTI-VIBRATIONS PAD	1
34	62573400	BATTERY FIXING BRACKET	1
35	13837411	SCREW	1
36	157502	BATTERY TO FRONT TERMINAL BOX CONNECTING CABLE	1
36	160894	BATTERY TO FRONT TERMINAL BOX CONNECTING CABLE	1
37	157505	BATTERY-CUT OUT SWITCH CONNECTING PLAIT	1
38	153128	CUT OUT SWITCH-MASS CONNECTING PLAIT	1
39	139607	CUT-OUT SWITCH	1
40	15688275	SCREW	2

41	61067800	BRACKET	2
42	12637878	WASHER	2
43	170114	TERMINAL BOX	1
44	62790300	NUT	2
45	10519224	WASHER	2
46	101139	NUT	3
47	12601374	WASHER	3
48	149043	CABLE BUSHING	2
49	149043	CABLE BUSHING	1
50	150815	PROTECTION BOOT	1
51	126672	BRACKET WITH SHEATH	1
52	10902024	SCREW	1
53	12604274	WASHER	1
54	144727	PROTECTION BOOT	1
55	10441790	BRACKET WITH SHEATH	1
56	10441690	BRACKET WITH SHEATH	1
57	102948	NUT	2
58	10519424	WASHER	2
59	177764	NUT	1
60	10791021	NUT	1
61	126648	WASHER	1
62	113404	WARNING HIGH VOLTAGE PLATE	1
63	180904	GROUND CABLE	1
64	11001024	STUD	1
65	14084111	NUT	2
66	14496324	WASHER	2
67	172537	COMPLETE BELT TIGHTENING PULLEY	1
68	174508	WASHER	1
69	70000904	BATTERY CHARGER KIT	1
69	70000906	BATTERY CHARGER KIT	1
69	70000909	BATTERY CHARGER KIT	1
69	70000905	BATTERY CHARGER KIT	1
70	65699200	BATTERY BAG CASE	1
71	177792	BATTERY CHARGER - 110V	1
71	177791	BATTERY CHARGER - 230V	1
72	177793	CABLE WITH TERMINAL	1
73	177796	POWER SUPPLY CABLE	1
73	177794	POWER SUPPLY CABLE	1
73	177795	POWER SUPPLY CABLE	1
73	178294	POWER SUPPLY CABLE	1