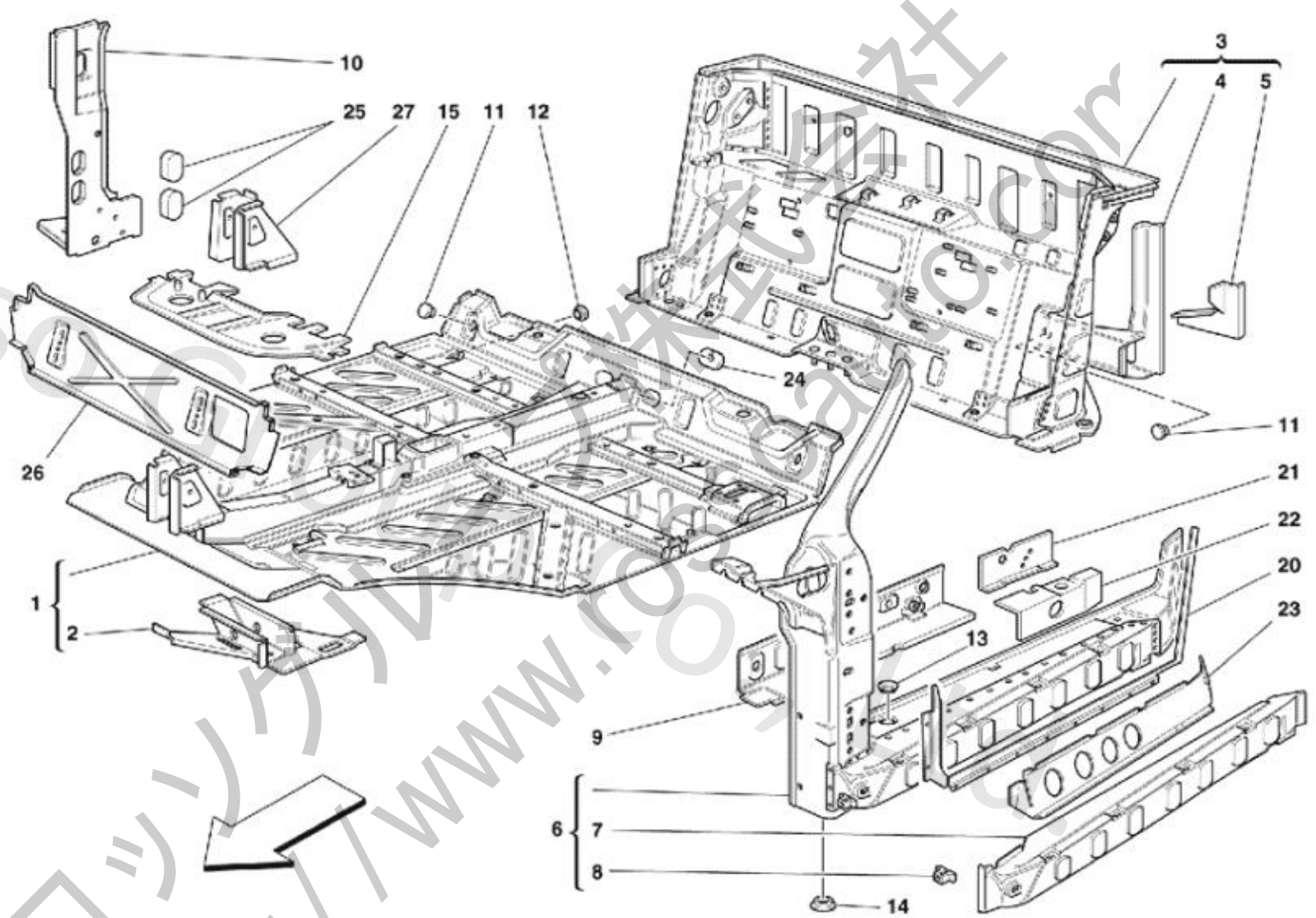
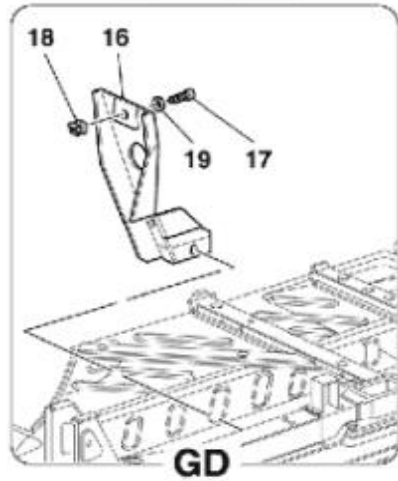
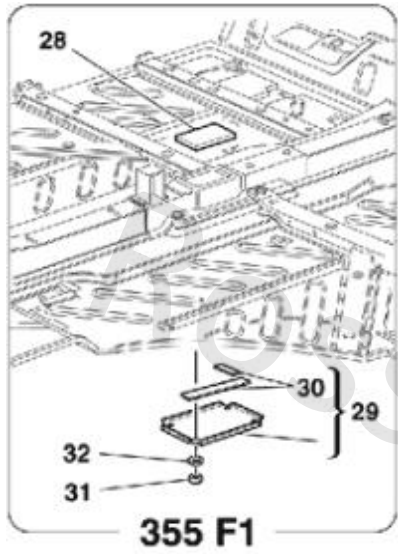


103 Central Part Structures



103 Central Part Structures

No.	Part No.	Name	Qty
1	65749200	COMPLETE CENTRAL FLOOR	1
1	65731100	COMPLETE CENTRAL FLOOR	1
1	65748900	COMPLETE CENTRAL FLOOR	1
1	65749100	COMPLETE CENTRAL FLOOR	1
1	65246400	COMPLETE CENTRAL FLOOR	1
1	65731000	COMPLETE CENTRAL FLOOR	1
1	65730900	COMPLETE CENTRAL FLOOR	1
1	65749000	COMPLETE CENTRAL FLOOR	1
1	65246200	COMPLETE CENTRAL FLOOR	1
1	65730900	COMPLETE CENTRAL FLOOR	1
1	65730800	COMPLETE CENTRAL FLOOR	1
1	65730800	COMPLETE CENTRAL FLOOR	1
2	62164100	L.H. PLATE WITH REINFORCEMENT	1
2	62164000	R.H. PLATE WITH REINFORCEMENT	1
3	64954200	COMPLETE REAR FRAMEWORK	1
3	65355500	COMPLETE REAR FRAMEWORK	1
3	65487500	COMPLETE REAR FRAMEWORK	1
3	64938000	COMPLETE REAR FRAMEWORK	1
3	65342600	COMPLETE REAR FRAMEWORK	1
3	65429100	COMPLETE REAR FRAMEWORK	1
3	65354600	COMPLETE REAR FRAMEWORK	1
3	65457800	COMPLETE REAR FRAMEWORK	1
3	64934400	COMPLETE REAR FRAMEWORK	1
3	65403100	COMPLETE REAR FRAMEWORK	1
3	65330700	COMPLETE REAR FRAMEWORK	1
3	64899200	COMPLETE REAR FRAMEWORK	1
4	64245800	MOVING FRAME FIXING CROSS MEMBER	1
4	64781800	MOVING FRAME FIXING CROSS MEMBER	1
5	64302200	REINFORCEMENT L.H. BRACKET	1
5	64302100	REINFORCEMENT R.H. BRACKET	1
6	62088600	L.H. DOOR COMPARTMENT FRAME	1
6	64384500	L.H. DOOR COMPARTMENT FRAME	1
6	64522500	L.H. DOOR COMPARTMENT FRAME	1
6	62088500	R.H. DOOR COMPARTMENT FRAME	1
6	64384400	R.H. DOOR COMPARTMENT FRAME	1
6	64522400	R.H. DOOR COMPARTMENT FRAME	1
7	62077400	EXTERNAL COVERING FOR L.H. SIDE MEMBER	1
7	62077300	EXTERNAL COVERING FOR R.H. SIDE MEMBER	1

103 Central Part Structures

8	62055300 BRACKET	2
9	62069000 INTERNAL PLATE FOR L.H. SIDE MEMBER	1
9	62068900 INTERNAL PLATE FOR R.H. SIDE MEMBER	1
10	62080200 L.H. PILLAR BOX-TYPE	1
10	62080100 R.H. PILLAR BOX-TYPE	1
11	14506987 PLUG	9
12	14506587 PLUG	1
13	14507987 PLUG	2
14	14506787 PLUG D. 20	4
14	62446300 PLUG D. 30	4
15	62209400 REINFORCEMENT PLATE	1
16	64447000 FOOT-REST REINFORCEMENT BRACKET	1
17	15903975 SCREW	2
18	14202782 BLOCK	2
19	12638177 WASHER	2
20	64374200 L.H. STRUCTURAL SHAPE ASSEMBLY	1
20	64645400 L.H. STRUCTURAL SHAPE ASSEMBLY	1
20	64374100 R.H. STRUCTURAL SHAPE ASSEMBLY	1
20	64645300 R.H. STRUCTURAL SHAPE ASSEMBLY	1
21	64384700 L.H. REAR REINFORCEMENT PLATE	1
21	63011300 L.H. REAR REINFORCEMENT PLATE	1
21	64384600 R.H. REAR REINFORCEMENT PLATE	1
21	63011200 R.H. REAR REINFORCEMENT PLATE	1
22	64384300 L.H. OUTER REAR REINFORCEMENT	1
22	64384200 R.H. OUTER REAR REINFORCEMENT	1
23	63011500 L.H. OUTER REINFORCEMENT	1
23	63011400 R.H. OUTER REINFORCEMENT	1
24	63566000 SEAL RING	1
25	64463600 THICKNESS	2
26	64436600 DASH PANEL LOWER SHIELD	1
26	64330200 DASH PANEL LOWER SHIELD	1
27	62063700 UNION BRACKET	1
28	64733900 PLATE FOR CENTRAL TUNNEL HOLE	1
29	64733700 PLATE FOR PAVEMENT HOLE	1
30	64735400 GASKET	4
31	101139 NUT	4
32	10519624 WASHER	4