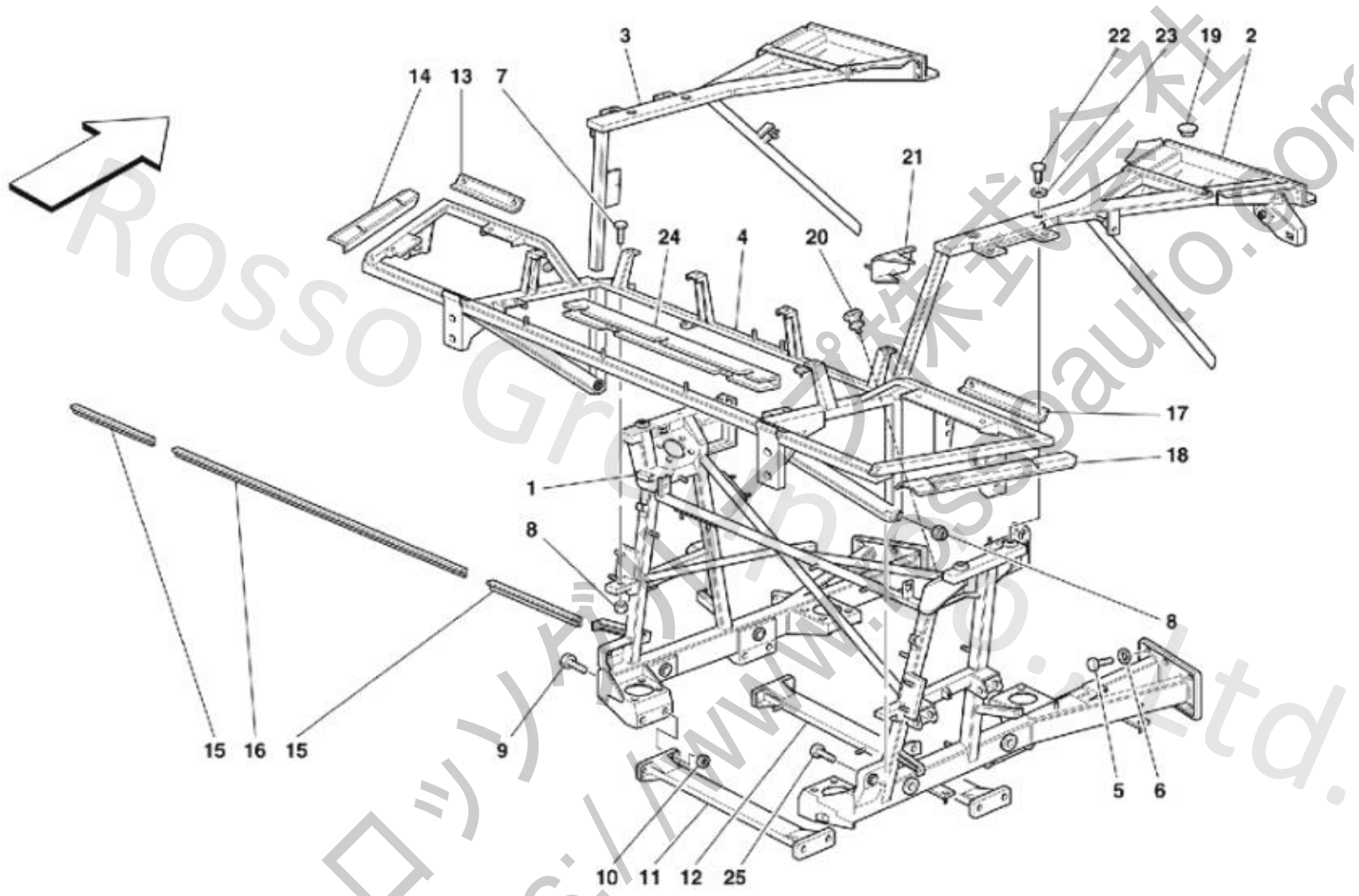


104 Frame - Rear Part Elements



104 Frame - Rear Part Elements

No.	Part No.	Name	Qty
1	65402600	MOVING FRAME FOR MOTOR-PROPULSOR SUPPORT	1
1	65427300	MOVING FRAME FOR MOTOR-PROPULSOR SUPPORT	1
1	64952500	MOVING FRAME FOR MOTOR-PROPULSOR SUPPORT	1
1	65098600	MOVING FRAME FOR MOTOR-PROPULSOR SUPPORT	1
1	65425900	MOVING FRAME FOR MOTOR-PROPULSOR SUPPORT	1
1	64973300	MOVING FRAME FOR MOTOR-PROPULSOR SUPPORT	1
1	65098200	MOVING FRAME FOR MOTOR-PROPULSOR SUPPORT	1
2	65236700	R.H. UPPER FIXED FRAME	1
3	65402300	L.H. UPPER FIXED FRAME	1
3	64925400	L.H. UPPER FIXED FRAME	1
4	65491800	BUMPER SUPPORT TRESTLE ASSEMBLY	1
4	64973700	BUMPER SUPPORT TRESTLE ASSEMBLY	1
4	64925600	BUMPER SUPPORT TRESTLE ASSEMBLY	1
4	65402500	BUMPER SUPPORT TRESTLE ASSEMBLY	1
4	65425500	BUMPER SUPPORT TRESTLE ASSEMBLY	1
4	65059100	BUMPER SUPPORT TRESTLE ASSEMBLY	1
5	16142021	SCREW	12
6	127498	WASHER	12
7	11422021	SCREW	2
7	15862134	SCREW	2
8	150238	NUT	4
9	14331224	SCREW	8
10	142438	NUT	8
11	63948500	REAR REMOVABLE CROSS MEMBER	1
12	63948800	FRONT REMOVABLE CROSS MEMBER	1
13	62123700	WHEELHOUSE FIXING L.H. PLATE	1
14	62129000	FENDER FIXING L.H. PLATE	1
15	62054800	FRONT PLATE FOR REAR SIDE COVER SUPPORT	2
16	62055000	CENTRAL PLATE FOR REAR SIDE COVER SUPPORT	1
17	62123700	WHEELHOUSE FIXING R.H. PLATE	1
18	62128900	FENDER FIXING R.H. PLATE	1
19	14506787	PLUG	2
20	151856	NEGATIVE TERMINAL	1
21	64295600	TERMINAL BOX FIXING BRACKET	1
22	63369800	SCREW	4
23	127497	WASHER	4
24	64696600	PIPE RETAINING MOLDING	1
25	15862134	SCREW	2
25	15977724	SCREW	2