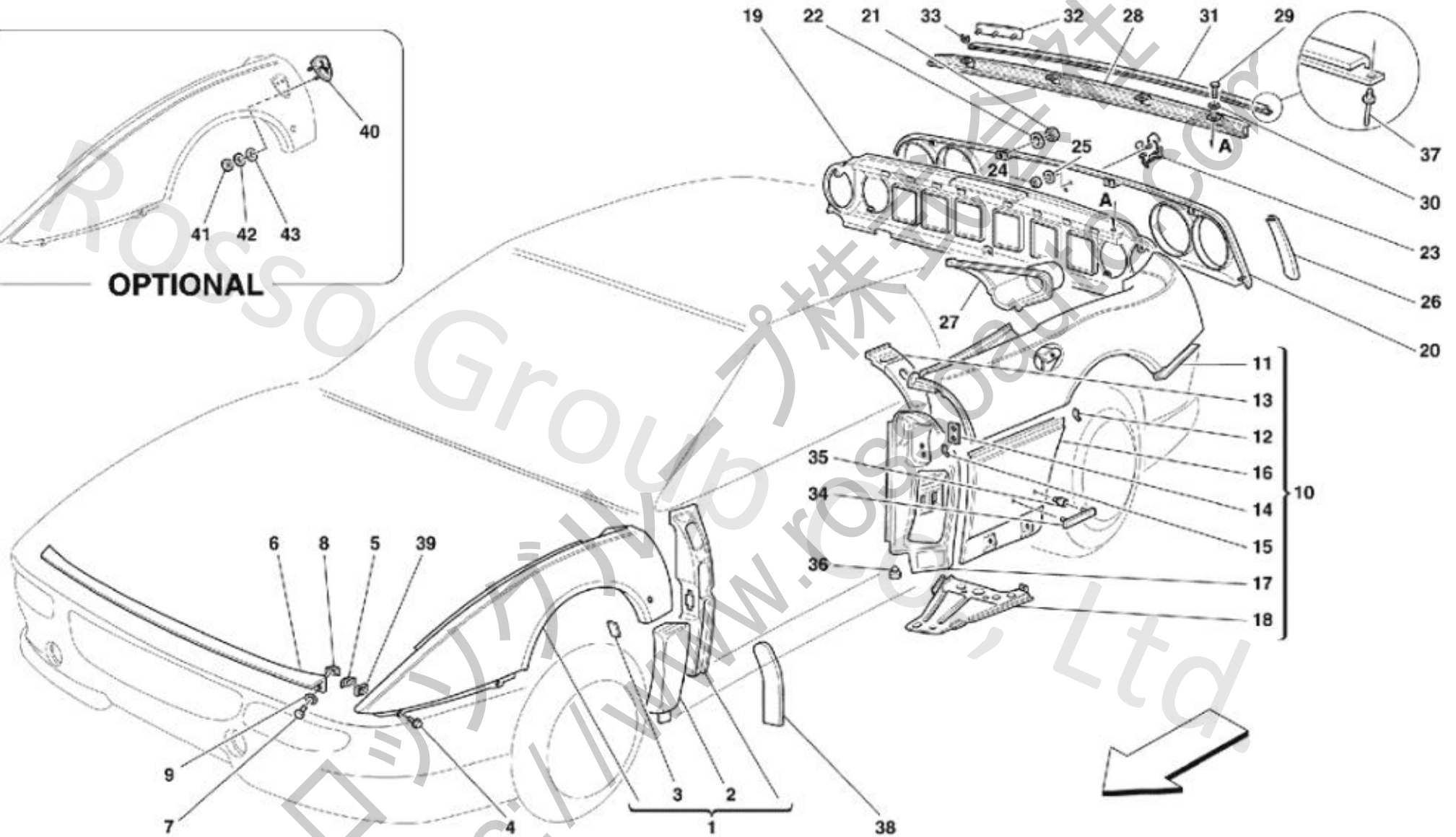
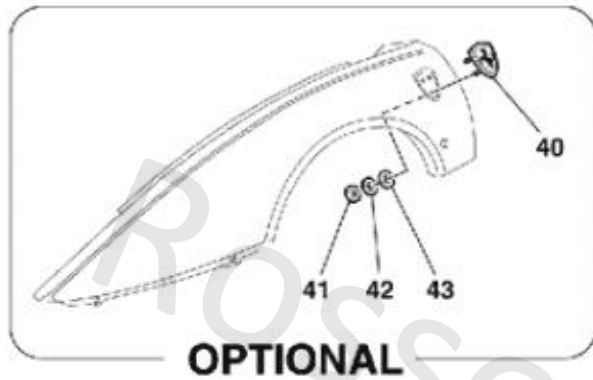


106 Body - Outer Trims



106 Body - Outer Trims

No.	Part No.	Name	Qty
1	63962200	COMPLETE L.H. FRONT FENDER	1
1	65883700	COMPLETE L.H. FRONT FENDER	1
1	63962800	COMPLETE L.H. FRONT FENDER	1
1	65884400	COMPLETE R.H. FRONT FENDER	1
1	63962100	COMPLETE R.H. FRONT FENDER	1
1	63962700	COMPLETE R.H. FRONT FENDER	1
2	62065100	L.H. LOWER FRONT SIDE COVERING	1
2	62065000	R.H. LOWER FRONT SIDE COVERING	1
3	62065200	FENDER FRONT PROTECTION	2
4	13836971	SCREW	12
4	13836324	SCREW	2
5	62115800	NUT WITH CAGE	14
6	62059500	FRONT SIDE COVERING	1
7	10977624	SCREW	6
8	14647590	NUT WITH CAGE	6
9	13577701	WASHER	6
10	65268600	COMPLETE L.H. REAR FENDER	1
10	64680200	COMPLETE L.H. REAR FENDER	1
10	65268400	COMPLETE L.H. REAR FENDER	1
10	64522700	COMPLETE L.H. REAR FENDER	1
10	64115700	COMPLETE L.H. REAR FENDER	1
10	64115600	COMPLETE R.H. REAR FENDER	1
10	64522600	COMPLETE R.H. REAR FENDER	1
10	65268300	COMPLETE R.H. REAR FENDER	1
10	64680100	COMPLETE R.H. REAR FENDER	1
10	65268500	COMPLETE R.H. REAR FENDER	1
11	65749300	L.H. UPPER REAR SIDE COVERING	1
11	70000855	L.H. UPPER REAR SIDE COVERING	1
11	70000842	L.H. UPPER REAR SIDE COVERING	1
11	70000856	R.H. UPPER REAR SIDE COVERING	1
11	65749400	R.H. UPPER REAR SIDE COVERING	1
11	70000841	R.H. UPPER REAR SIDE COVERING	1
12	64109700	CENTRAL COVERING FOR REAR FENDER	2
13	62072700	INTERNAL REINFORCEMENT FOR R.H. REAR FENDER	1
13	62072800	INTERNAL REINFORCEMENT FOR R.H. REAR FENDER	1
14	62055200	STRIKER FIXING PLATE	2
15	62067000	FRONT SIDE COVERING FOR REAR FENDER	2
16	70000844	L.H. LOWER REAR SIDE COVERING	1
16	70000843	R.H. LOWER REAR SIDE COVERING	1

106 Body - Outer Trims

17	70000634	L.H. DOOR STRIP	1
17	70000633	R.H. DOOR STRIP	1
18	64247000	L.H. LOWER PLATE	1
18	64246800	R.H. LOWER PLATE	1
19	64246600	COMPLETE REAR WALL FRAMEWORK	1
20	64107900	REAR SIDE COVERING	1
20	65511400G	F355 REAR BLACK GRILL(Challenge Style)	1
21	15896472	NUT	15
22	12638177	WASHER	15
23	63233900	CAVALLINO RAMPANTE	1
24	14084011	NUT	2
25	10519224	WASHER	2
26	64420400	L.H. GASKET	1
26	64420300	R.H. GASKET	1
27	64989100	CONVEYOR FOR L.H. AIR PLUG	1
27	64988800	CONVEYOR FOR R.H. AIR PLUG	1
28	64121600	REAR COVERING SHIELD	1
28	64116600	REAR COVERING SHIELD	1
28	64523400	REAR COVERING SHIELD	1
28	64526100	REAR COVERING SHIELD	1
29	20286209	SCREW	4
30	11181574	WASHER	4
31	65083700	GASKET	1
32	65495900	355F1 BERLINETTA MARK	1
32	65496000	355F1 GTS MARK	1
32	65496100	355F1 SPIDER MARK	1
32	64220100	F355 BERLINETTA MARK	1
32	64471400	F355 GTS MARK	1
32	64523300	F355 SPIDER MARK	1
33	64760200	MARK FIXING PLATE	3
34	20043105	PINFARINA ONAMENT	2
35	60324506	CLIP	4
36	14624587	PLUG	2
37	60677000	RIVET	2
38	64499000	L.H. FRONT WHEELHOUSE PROTECTION	1
38	65625400	L.H. FRONT WHEELHOUSE PROTECTION	1
38	64499100	R.H. FRONT WHEELHOUSE PROTECTION	1
38	65625500	R.H. FRONT WHEELHOUSE PROTECTION	1
39	63557700	GASKET FOR NUT	6
40	64174300	FRONT FENDER L.H. ORNAMENT	1

106 Body - Outer Trims

40	64174200 FRONT FENDER R.H. ORNAMENT	1
41	16101711 NUT	6
42	12034470 WASHER	6
43	12639901 WASHER	6

ロッセオグループ株式会社
<https://www.rossoauto.com>