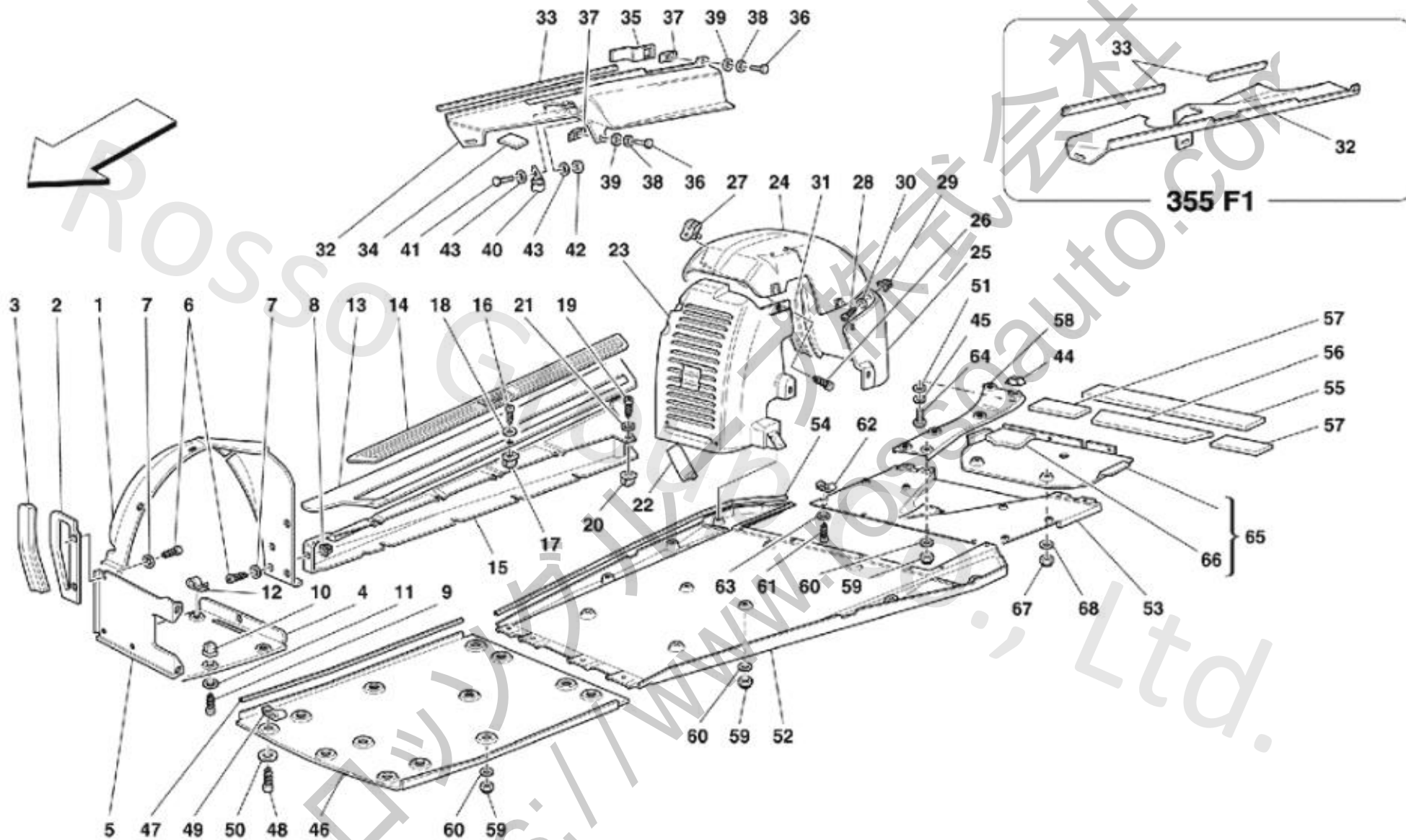


107 Body - Shield and ...



107 Body - Shield and ...

No.	Part No.	Name	Qty
1	65260600	L.H. FRONT WHEELHOUSE GRAVEL GUARD	1
1	65260500	R.H. FRONT WHEELHOUSE GRAVEL GUARD	1
2	64110800	L.H. FRONT LATERAL GRAVEL GUARD	1
2	64110700	R.H. FRONT LATERAL GRAVEL GUARD	1
3	63393200	GASKET	2
4	65142800	L.H. LOWER GUARD FOR UNDERBODY	1
4	65142700	R.H. LOWER GUARD FOR UNDERBODY	1
5	64243000	L.H. LOWER FRONT GRAVEL GUARD	1
5	64242900	R.H. LOWER FRONT GRAVEL GUARD	1
6	15903975	SCREW	14
7	12638177	WASHER	14
8	14215480	BLOCK	14
9	15644175	SCREW	10
10	14115885	BLOCK	4
11	60711900	WASHER	10
12	66252300	CLIP	6
13	65614100	L.H. KICK PLATE	1
13	64119300	L.H. KICK PLATE	1
13	65614000	R.H. KICK PLATE	1
13	64119200	R.H. KICK PLATE	1
14	62172100	KICK PLATE RUBBER	2
15	64101210	COVERING FOR L.H. SIDE MEMBER	1
15	64101110	COVERING FOR R.H. SIDE MEMBER	1
16	15914977	SCREW	6
17	14115580	BLOCK	6
18	12642878	WASHER	6
19	15688275	SCREW	20
20	14203587	BLOCK	20
21	12638177	WASHER	20
22	63251500	L.H. REAR GASKET	1
22	63251400	R.H. REAR GASKET	1
23	64878600	L.H. REAR WHEELHOUSE	1
23	65291300	R.H. REAR WHEELHOUSE	1
23	65291300	R.H. REAR WHEELHOUSE	1
24	64878400	L.H. REAR WHEELHOUSE	1
24	64878300	R.H. REAR WHEELHOUSE	1
25	64676500	L.H. REAR WHEELHOUSE	1
25	64676400	R.H. REAR WHEELHOUSE	1

107 Body - Shield and ...

26	15903975 SCREW	6
27	60517200 CLIP	6
28	15687375 SCREW	20
29	14215480 BLOCK	20
30	12638177 WASHER	20
31	63393200 GASKET	2
32	64501600 L.H. LATERAL PROTECTION	1
32	64936100 L.H. LATERAL PROTECTION	1
32	64501500 R.H. LATERAL PROTECTION	1
33	64517900 GASKET	2
34	127403 RUBBER THICKNESS	2
35	64335200 REAR BRACKET	2
36	14305287 SCREW	8
37	60659100 NUT WITH CAGE	8
38	160957 WASHER	8
39	12643778 WASHER	10
40	131783 CLIP	2
41	10977624 SCREW	2
42	169180 NUT	2
43	12638124 WASHER	4
44	60758600 NUT	4
45	127494 WASHER	4
46	64841100 CENTRAL FRONT UNDER THE BODY SHELL	1
47	64349600 FRONT UNDER THE BODY SHELL GASKET	2
48	15644175 SCREW	3
49	66252300 CLIP	3
50	60711900 WASHER	3
51	12643770 WASHER	4
52	64841200 CENTRAL UNDER-FLOOR	1
52	64841300 CENTRAL UNDER-FLOOR	1
53	64841400 REAR UNDER-FLOOR	1
54	64473300 CENTRAL UNDER-FLOOR GASKET	2
55	64608700 UNDER-FLOOR UPPER CENTRAL INSULATION	1
56	64608600 UNDER-FLOOR LOWER CENTRAL INSULATION	1
57	64608800 UNDER-FLOOR LATERAL INSULATION	2
58	64841000 L.H. REAR AIR EXTRACTOR	1
58	64840900 R.H. REAR AIR EXTRACTOR	1
59	64449900 NUT	36
60	12640678 WASHER	36

107 Body - Shield and ...

61	15644175	SCREW	8
62	66252300	CLIP	8
63	60711900	WASHER	8
64	10902180	SCREW	4
65	65095700	UNDER-SUMP ACOUSTIC SCREEN	1
66	65095800	INSULATION FOR SCREEN	1
67	102948	NUT	5
68	12643724	WASHER	5

ロッセオグループ株式会社
<https://www.rossoauto.com>