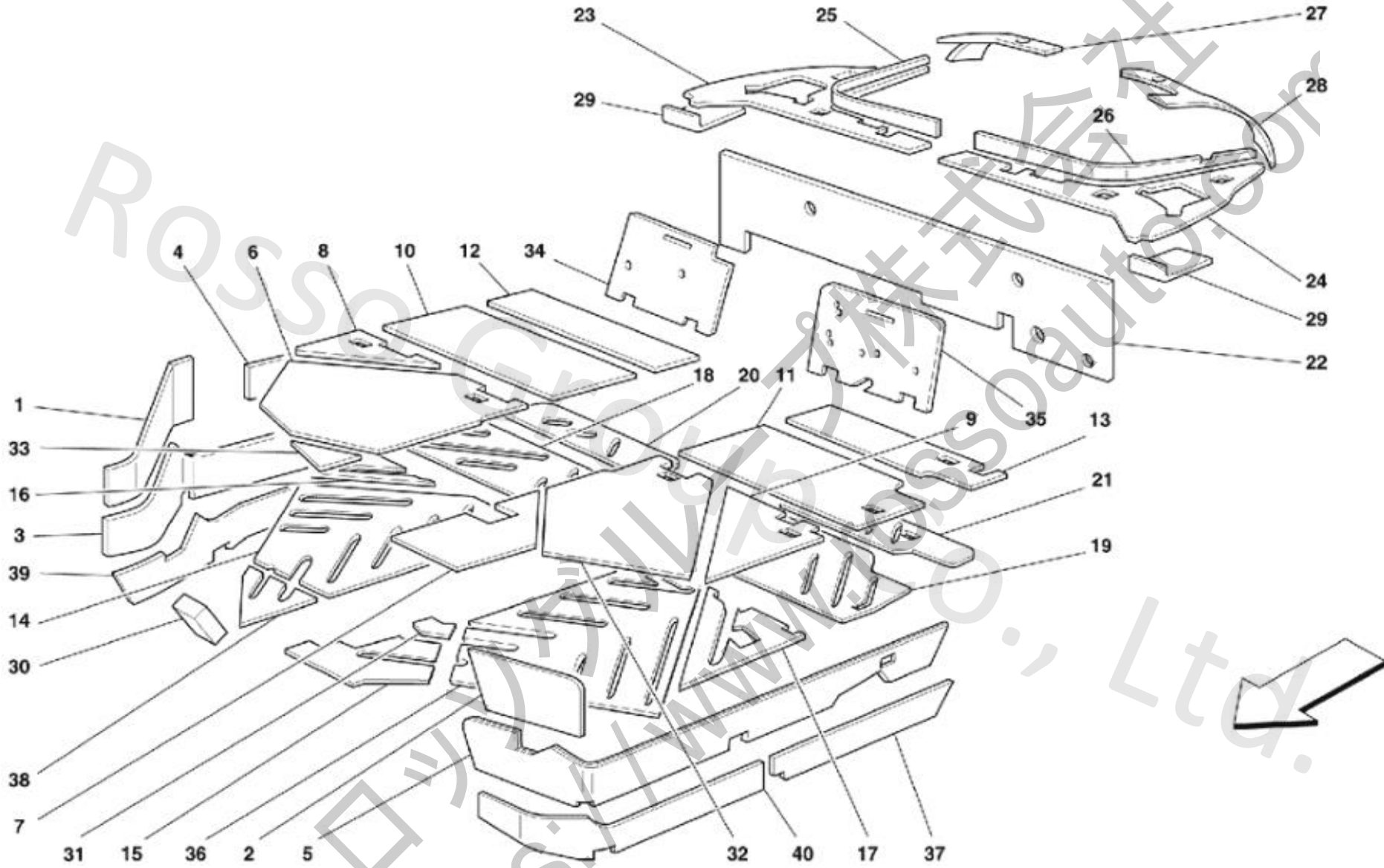


108 Passengers Compartment ...



## 108 Passengers Compartment ...

No.	Part No.	Name	Qty
1	62806900	FRONT R.H. WHEELHOUSE INSULATION	1
1	62988600	FRONT R.H. WHEELHOUSE INSULATION	1
2	62988500	FRONT L.H. WHEELHOUSE INSULATION	1
2	62807000	FRONT L.H. WHEELHOUSE INSULATION	1
3	62806700	R.H. SIDE MEMBER FRONT INSULATION	1
4	62806800	R.H. SIDE MEMBER REAR INSULATION	1
5	62806600	L.H. SIDE MEMBER INSULATION	1
6	64528800	UPPER OUTER FRONT R.H. INSULATION FOR PLATFORM	1
6	64883700	UPPER OUTER FRONT R.H. INSULATION FOR PLATFORM	1
7	64883400	UPPER INNER FRONT L.H. INSULATION FOR PLATFORM	1
7	64529100	UPPER INNER FRONT L.H. INSULATION FOR PLATFORM	1
8	63299400	OUTER UPPER FRONT R.H. INSULATION FOR PLATFORM	1
8	63298000	OUTER UPPER FRONT R.H. INSULATION FOR PLATFORM	1
9	63297900	OUTER UPPER FRONT L.H. INSULATION FOR PLATFORM	1
9	63299200	OUTER UPPER FRONT L.H. INSULATION FOR PLATFORM	1
10	63299600	CENTRAL UPPER R.H. INSULATION FOR PLATFORM	1
10	63298600	CENTRAL UPPER R.H. INSULATION FOR PLATFORM	1
11	63299500	CENTRAL UPPER L.H. INSULATION FOR PLATFORM	1
11	63298300	CENTRAL UPPER L.H. INSULATION FOR PLATFORM	1
12	63299700	UPPER REAR R.H. INSULATION FOR PLATFORM	1
12	63298500	UPPER REAR R.H. INSULATION FOR PLATFORM	1
13	63298400	UPPER REAR L.H. INSULATION FOR PLATFORM	1
13	63299900	UPPER REAR L.H. INSULATION FOR PLATFORM	1
14	64529300	LOWER OUTER FRONT R.H. INSULATION FOR PLATFORM	1
14	64883300	LOWER OUTER FRONT R.H. INSULATION FOR PLATFORM	1
15	64529400	LOWER INNER FRONT L.H. INSULATION FOR PLATFORM	1
15	64883000	LOWER INNER FRONT L.H. INSULATION FOR PLATFORM	1
16	62985100	OUTER LOWER FRONT R.H. INSULATION FOR PLATFORM	1
16	62804400	OUTER LOWER FRONT R.H. INSULATION FOR PLATFORM	1
17	62984800	OUTER LOWER FRONT L.H. INSULATION FOR PLATFORM	1
17	62804800	OUTER LOWER FRONT L.H. INSULATION FOR PLATFORM	1
18	62804500	LOWER CENTRAL R.H. INSULATION FOR PLATFORM	1
18	62985200	LOWER CENTRAL R.H. INSULATION FOR PLATFORM	1
19	62804900	LOWER CENTRAL L.H. INSULATION FOR PLATFORM	1
19	62984900	LOWER CENTRAL L.H. INSULATION FOR PLATFORM	1
20	62985300	LOWER REAR R.H. INSULATION FOR PLATFORM	1
20	62804600	LOWER REAR R.H. INSULATION FOR PLATFORM	1
21	62985000	LOWER REAR L.H. INSULATION FOR PLATFORM	1
21	62805000	LOWER REAR L.H. INSULATION FOR PLATFORM	1
22	64731300	UPPER INSULATION FOR ENGINE COMPARTMENT	1

108 Passengers Compartment ...

23	64463900 R.H. PANEL INSULATION UNDER REAR WINDOW	1
24	64464000 L.H. PANEL INSULATION UNDER REAR WINDOW	1
25	64463700 R.H. VERTICAL INSULATION UNDER REAR WINDOW	1
26	64463800 L.H. VERTICAL INSULATION UNDER REAR WINDOW	1
27	64464100 REAR WINDOW UPPER R.H. INSULATION	1
28	64464200 REAR WINDOW UPPER L.H. INSULATION	1
29	64464300 UNDER ROLLER INSULATION	2
30	64602000 TUNNEL INSULATION	1
31	64538700 UNDER ACCELERATOR PEDAL LOWER INSULATION	1
32	64529200 UPPER OUTER FRONT L.H. INSULATION FOR PLATFORM	1
32	64883500 UPPER OUTER FRONT L.H. INSULATION FOR PLATFORM	1
33	64883600 UPPER INNER FRONT R.H. INSULATION FOR PLATFORM	1
33	64529000 UPPER INNER FRONT R.H. INSULATION FOR PLATFORM	1
34	64799300 R.H. CONTROL STATION INSULATION	1
34	65082400 R.H. CONTROL STATION INSULATION	1
35	65482100 L.H. CONTROL STATION INSULATION	1
35	65053100 L.H. CONTROL STATION INSULATION	1
36	64529500 LOWER OUTER FRONT L.H. INSULATION FOR PLATFORM	1
36	64883100 LOWER OUTER FRONT L.H. INSULATION FOR PLATFORM	1
37	62988400 L.H. SIDE MEMBER REAR INSULATION	1
38	64883200 LOWER FRONT R.H. INSULATION FOR PLATFORM	1
39	62988200 R.H. SIDE MEMBER INSULATION	1
40	62988300 L.H. SIDE MEMBER FRONT INSULATION	1

https://www.rossauto.com