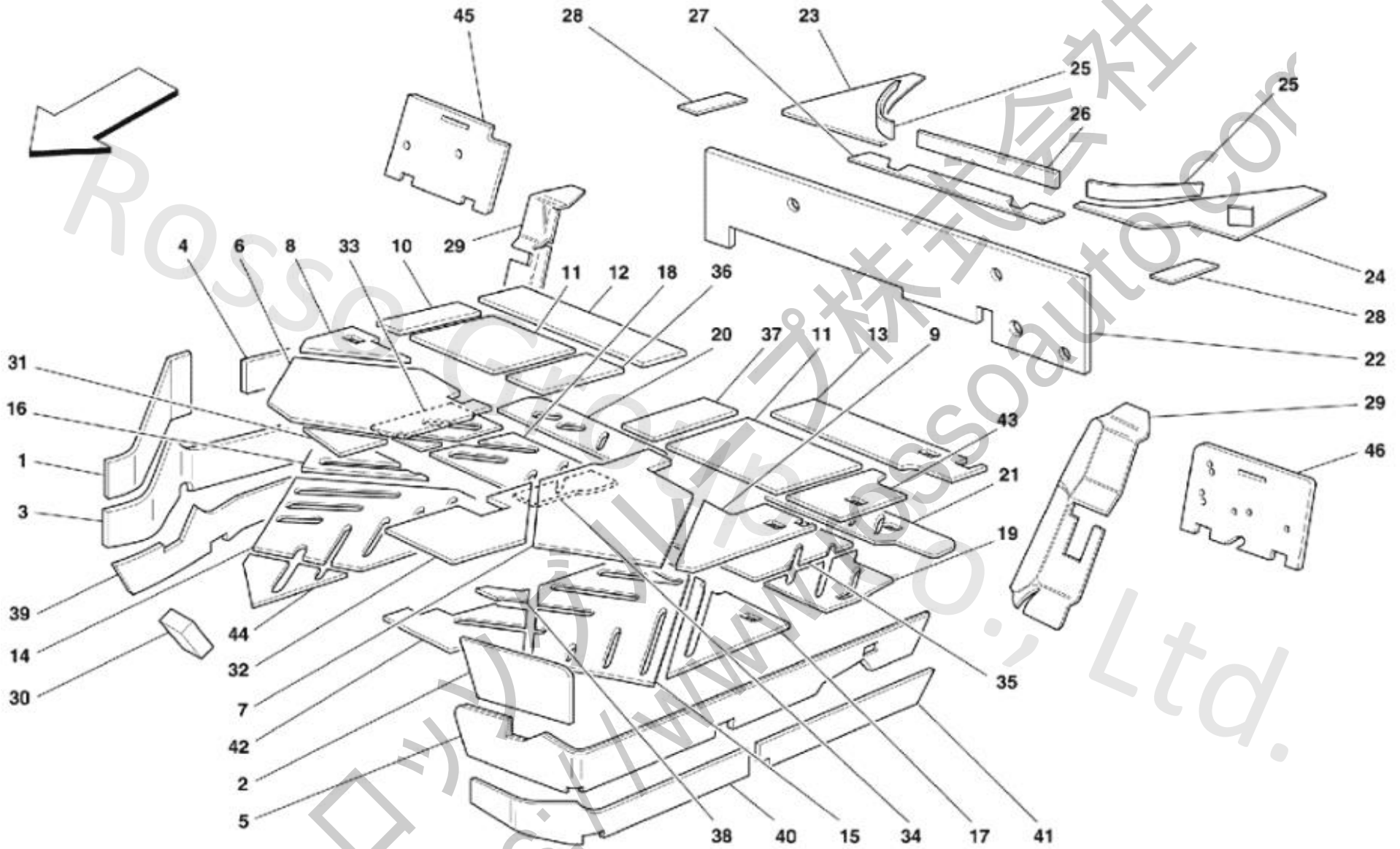


109 Passengers Compartment ...



109 Passengers Compartment ...

No.	Part No.	Name	Qty
1	62988600	FRONT R.H. WHEELHOUSE INSULATION	1
1	62806900	FRONT R.H. WHEELHOUSE INSULATION	1
2	62807000	FRONT L.H. WHEELHOUSE INSULATION	1
2	62988500	FRONT L.H. WHEELHOUSE INSULATION	1
3	62806700	R.H. SIDE MEMBER FRONT INSULATION	1
4	62806800	R.H. SIDE MEMBER REAR INSULATION	1
5	62806600	L.H. SIDE MEMBER INSULATION	1
6	64911700	UPPER FRONT R.H. INSULATION FOR PLATFORM	1
6	64841800	UPPER FRONT R.H. INSULATION FOR PLATFORM	1
7	64911600	UPPER FRONT L.H. INSULATION FOR PLATFORM	1
7	64841900	UPPER FRONT L.H. INSULATION FOR PLATFORM	1
8	64842200	OUTER UPPER FRONT R.H. INSULATION FOR PLATFORM	1
9	64842400	OUTER UPPER FRONT L.H. INSULATION FOR PLATFORM	1
10	63995500	CENTRAL UPPER R.H. INSULATION FOR PLATFORM	1
10	64274800	CENTRAL UPPER R.H. INSULATION FOR PLATFORM	1
11	63995600	CENTRAL UPPER INSULATION FOR PLATFORM	2
12	63298500	UPPER REAR R.H. INSULATION FOR PLATFORM	1
12	63299700	UPPER REAR R.H. INSULATION FOR PLATFORM	1
13	63298400	UPPER REAR L.H. INSULATION FOR PLATFORM	1
13	63299900	UPPER REAR L.H. INSULATION FOR PLATFORM	1
14	64842000	LOWER FRONT R.H. INSULATION FOR PLATFORM	1
14	64911500	LOWER FRONT R.H. INSULATION FOR PLATFORM	1
15	64911300	LOWER FRONT L.H. INSULATION FOR PLATFORM	1
15	64842100	LOWER FRONT L.H. INSULATION FOR PLATFORM	1
16	64842300	OUTER LOWER FRONT R.H. INSULATION FOR PLATFORM	1
17	64842500	OUTER LOWER FRONT L.H. INSULATION FOR PLATFORM	1
18	63995300	LOWER CENTRAL R.H. INSULATION FOR PLATFORM	1
18	64274400	LOWER CENTRAL R.H. INSULATION FOR PLATFORM	1
19	64274500	LOWER CENTRAL L.H. OUTER INSULATION FOR PLATFORM	1
19	63995000	LOWER CENTRAL L.H. OUTER INSULATION FOR PLATFORM	1
20	62804600	LOWER REAR R.H. INSULATION FOR PLATFORM	1
20	62985300	LOWER REAR R.H. INSULATION FOR PLATFORM	1
21	62985000	LOWER REAR L.H. INSULATION FOR PLATFORM	1
21	62805000	LOWER REAR L.H. INSULATION FOR PLATFORM	1
22	64739400	UPPER INSULATION FOR ENGINE COMPARTMENT	1
23	64524600	R.H. PANEL INSULATION UNDER REAR WINDOW	1
24	64524700	L.H. PANEL INSULATION UNDER REAR WINDOW	1
25	64523900	VERTICAL INSULATION UNDER REAR WINDOW	2
26	64524100	CENTRAL VERTICAL INSULATION UNDER REAR WINDOW	1
27	64524200	CENTRAL PANEL INSULATION UNDER REAR WINDOW	1
28	64620800	PANEL INSULATION UNDER REAR WINDOW	2

109 Passengers Compartment ...

29	64733600	BENCH VERTICAL L.H. INSULATION	1
29	64733500	BENCH VERTICAL R.H. INSULATION	1
30	64602000	TUNNEL INSULATION	1
31	64529000	UPPER INNER FRONT R.H. INSULATION FOR PLATFORM	1
31	64883600	UPPER INNER FRONT R.H. INSULATION FOR PLATFORM	1
32	64529100	UPPER INNER FRONT L.H. INSULATION FOR PLATFORM	1
32	64883400	UPPER INNER FRONT L.H. INSULATION FOR PLATFORM	1
33	63995100	R.H. OUTER LOWER CENTRAL INSULATION	1
33	64274300	R.H. OUTER LOWER CENTRAL INSULATION	1
34	64274700	R.H. INNER LOWER CENTRAL INSULATION	1
34	64239100	R.H. INNER LOWER CENTRAL INSULATION	1
35	63995200	L.H. MIDDLE LOWER CENTRAL INSULATION	1
35	64274600	L.H. MIDDLE LOWER CENTRAL INSULATION	1
36	64239200	R.H. INNER UPPER CENTRAL INSULATION	1
37	64239300	L.H. INNER UPPER CENTRAL INSULATION	1
38	64538700	UNDER ACCELERATOR PEDAL LOWER INSULATION	1
39	62988200	R.H. SIDE MEMBER INSULATION	1
40	62988300	L.H. SIDE MEMBER FRONT INSULATION	1
41	62988400	L.H. SIDE MEMBER REAR INSULATION	1
42	64529400	LOWER INNER FRONT L.H. INSULATION FOR PLATFORM	1
42	64883000	LOWER INNER FRONT L.H. INSULATION FOR PLATFORM	1
43	63995500	L.H. OUTER UPPER CENTRAL INSULATION	1
43	63995400	L.H. OUTER UPPER CENTRAL INSULATION	1
44	64883200	LOWER FRONT R.H. INSULATION FOR PLATFORM	1
45	64799300	R.H. CONTROL STATION INSULATION	1
45	65082400	R.H. CONTROL STATION INSULATION	1
46	65053100	L.H. CONTROL STATION INSULATION	1
46	65482100	L.H. CONTROL STATION INSULATION	1