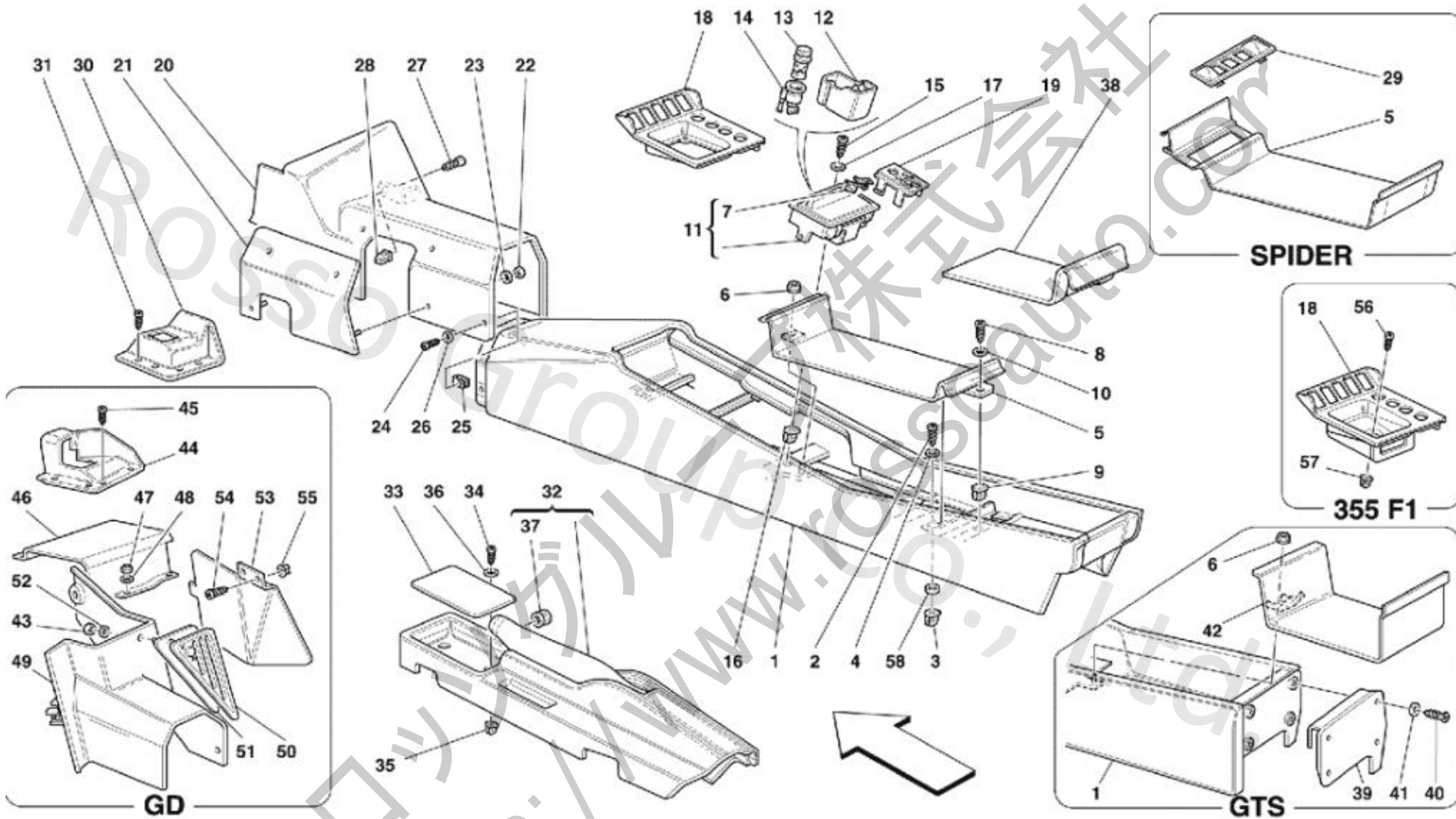


131 Tunnel - Framework and ...



131 Tunnel - Framework and ...

No.	Part No.	Name	Qty
1	654502..	UPHOLSTERED TUNNEL COVER CONSOLE	1
1	635230..	UPHOLSTERED TUNNEL COVER CONSOLE	1
1	654516..	UPHOLSTERED TUNNEL COVER CONSOLE	1
1	645000..	UPHOLSTERED TUNNEL COVER CONSOLE	1
1	644221..	UPHOLSTERED TUNNEL COVER CONSOLE	1
1	654266..	UPHOLSTERED TUNNEL COVER CONSOLE	1
1	642409..	UPHOLSTERED TUNNEL COVER CONSOLE	1
1	654067..	UPHOLSTERED TUNNEL COVER CONSOLE	1
1	652095..	UPHOLSTERY	1
1	652096..	UPHOLSTERY	1
2	15785101	SCREW	4
3	14202782	BLOCK	4
4	12638177	WASHER	4
5	646044..	COVER FOR DRAWER BOTTOM	1
5	642401..	COVER FOR DRAWER BOTTOM	1
5	635228..	UPHOLSTERY	1
5	646048..	UPHOLSTERY	1
6	14039414	NUT	1
7	64460400	FERRARI-PININFARINA SMALL FLAGS	1
8	15785101	SCREW	1
9	14202782	BLOCK	1
10	12638177	WASHER	1
11	64234600	ASH TRAY	1
12	-	ASHTRAY PAN	1
13	226942	CIGAR LIGHTER	1
14	226941	CIGAR LIGHTER BODY	1
15	15785101	SCREW	1
16	14202782	BLOCK	1
17	12638177	WASHER	1
18	64234400	TUNNEL SWITCHES HOLDER PLATE	1
18	64437600	TUNNEL SWITCHES HOLDER PLATE	1
18	65366800	TUNNEL SWITCHES HOLDER PLATE	1
19	64483000	ASHTRAY SIDE SWITCHES HOLDER PLATE	1
19	64234700	ASHTRAY SIDE SWITCHES HOLDER PLATE	1
20	635679..	TUNNEL CONSOLE FRONT PART	1
21	63525400	ACCELERATOR PEDAL SHIELD	1
22	10794014	NUT	4
23	12642801	WASHER	4

131 Tunnel - Framework and ...

24	15916977	SCREW	2
25	61789700	BRACKET	2
26	12611307	WASHER	2
27	15785101	SCREW	1
28	14202782	BLOCK	1
29	64627100	SWITCH HOLDER PLATE	1
30	63566800	ACCELERATOR PEDAL COVER	1
31	15914707	SCREW	4
32	635811..	COMPLETE HAND BRAKE CONSOLE	1
32	650524..	COMPLETE HAND BRAKE CONSOLE	1
32	635827..	COMPLETE HAND BRAKE CONSOLE	1
32	650525..	COMPLETE HAND BRAKE CONSOLE	1
32	635829..	UPHOLSTERY	1
32	635813..	UPHOLSTERY	1
33	626842..	HAND BRAKE CONSOLE CASING MOULDING	1
34	15688175	SCREW	3
35	14115980	BLOCK	3
36	12638177	WASHER	3
37	64277400	BUTTON	1
38	64239800	TUNNEL REAR GLOVE BOX BOTTOM MOULDING	1
38	644227..	UPHOLSTERY	1
39	635233..	REAR INSERT	1
39	645006..	REAR INSERT	1
40	15914708	SCREW	4
41	62823200	WASHER	4
42	63522900	COVER FOR DRAWER BOTTOM	1
43	62790300	NUT	2
44	64894600	ACCELERATOR PEDAL COVER	1
45	15914707	SCREW	4
46	63002600	PEDAL PROTECTION	1
47	102741	NUT	4
48	10519424	WASHER	4
49	644225..	TUNNEL CONSOLE FRONT PART	1
50	62986300	SLAB FOR DRIVER SIDE FOOT REST PLATE	1
51	63222500	SLAB SUPPORT	1
52	12642801	WASHER	2
53	64484200	ACCELERATOR PEDAL PROTECTION	1
54	15916170	SCREW	2
55	14202580	BLOCK	2

56	15785101	SCREW	2
57	14202782	BLOCK	2
58	63186100	SPACER	2
29	70002902	SWITCH HOLDER PLATE	1

ロッシオーターグループ株式会社
<https://www.rossoauto.com>