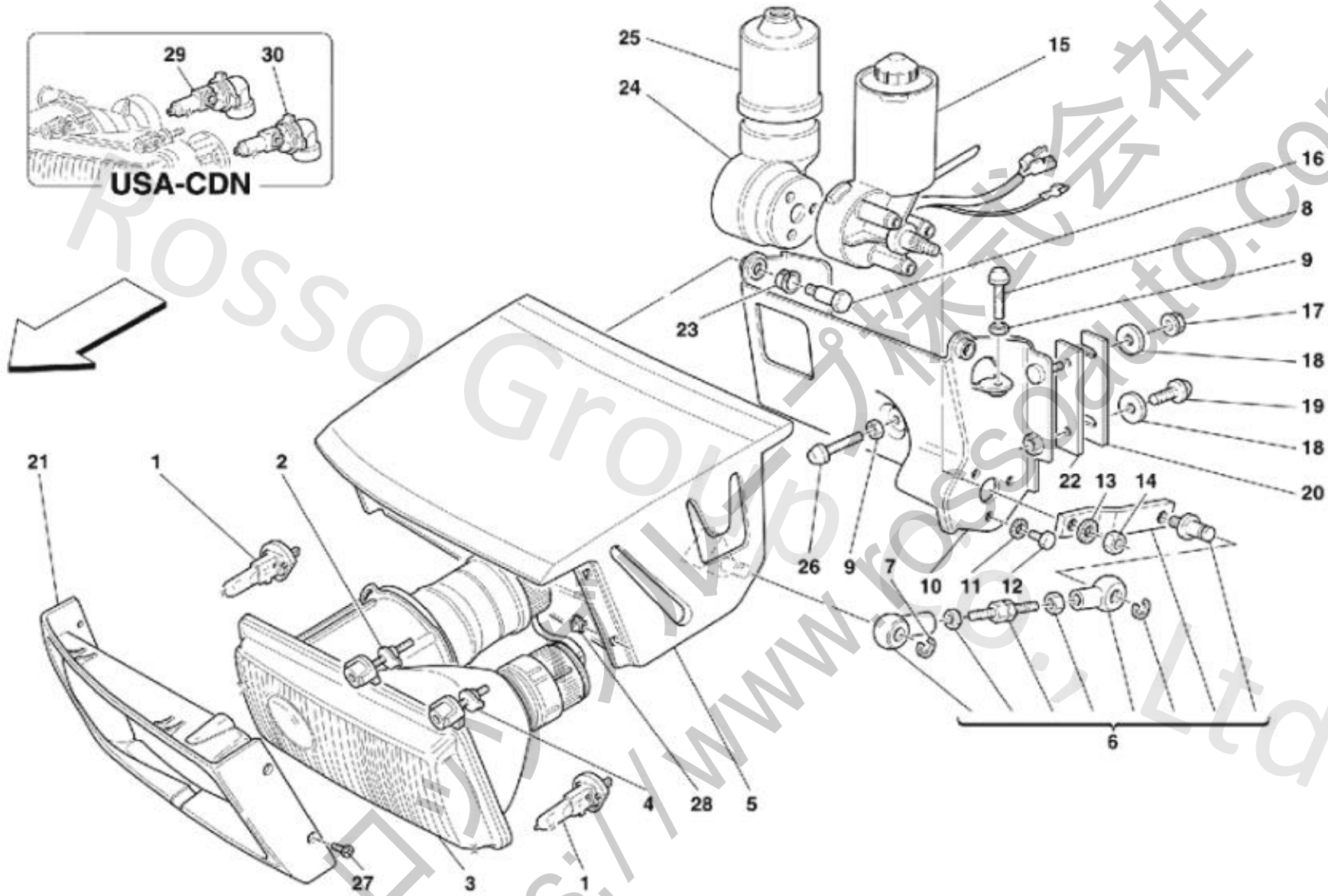
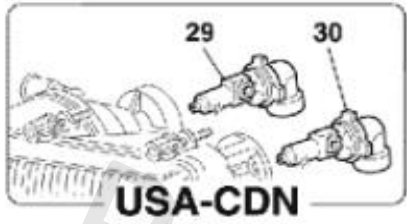


136 Lights Lifting Device ...



136 Lights Lifting Device ...

No.	Part No.	Name	Qty
1	14151095	H1 12V-55W BULB	4
2	148086	FIXED POINT PIN	2
3	146158	L.H. HEADLIGHT LOW/HIGH BEAM	1
3	133085	L.H. HEADLIGHT LOW/HIGH BEAM	1
3	133081	L.H. HEADLIGHT LOW/HIGH BEAM	1
3	133083	L.H. HEADLIGHT LOW/HIGH BEAM	1
3	133084	R.H. HEADLIGHT LOW/HIGH BEAM	1
3	146157	R.H. HEADLIGHT LOW/HIGH BEAM	1
3	133082	R.H. HEADLIGHT LOW/HIGH BEAM	1
3	133080	R.H. HEADLIGHT LOW/HIGH BEAM	1
4	148088	HEADLIGHT ADJUSTING SCREW	4
5	63501800	L.H. LIGHT CONTAINER	1
5	63501700	R.H. LIGHT CONTAINER	1
6	62608300	COMPLETE CONNECTING ROD AND HANDLE	2
7	16160976	FLEXIBLE RING	2
8	63346800	UPPER LIGHT ADJUSTMENT PIN	4
9	114748	NUT	6
10	62131400	L.H. BRACKET FOR LIGHTS SUPPORT	1
10	62131300	R.H. BRACKET FOR LIGHTS SUPPORT	1
11	10615474	WASHER	6
12	10902124	SCREW	6
13	10615474	WASHER	2
14	114748	NUT	2
15	149133	L.H. LIGHT LIFTING MOTOR	1
15	149134	R.H. LIGHT LIFTING MOTOR	1
16	63346400	LIGHT CONTAINER ARM SUPPORT PIN	4
17	13832201	NUT	4
18	12625224	WASHER	8
19	13838911	SCREW	4
20	62227600	INNER SPACER FOR LIGHT ADJUSTMENT	4
20	62227500	OUTER SPACER FOR LIGHT ADJUSTMENT	4
21	62071310	L.H. LIGHT RIM	1
21	62071210	R.H. LIGHT RIM	1
22	63344900	INNER GASKET	2
22	63344800	OUTER GASKET	2
23	62998000	BUSHING	4
24	60331303	LOWER GUARD FOR L.H. LIGHT LIFTING MOTOR	1
24	60331204	LOWER GUARD FOR R.H. LIGHT LIFTING MOTOR	1

136 Lights Lifting Device ...

25	60331402	UPPER GUARD FOR LIGHT LIFTING MOTOR	2
26	63346800	LOWER LIGHT ADJUSTMENT PIN	2
27	13297377	SCREW	8
28	63595100	NUT	8
29	143165	HB4 12V-55W BULB	2
30	143166	HB3 12V-65W BULB	2

ロッシオーグループ株式会社
<https://www.rossoauto.com>