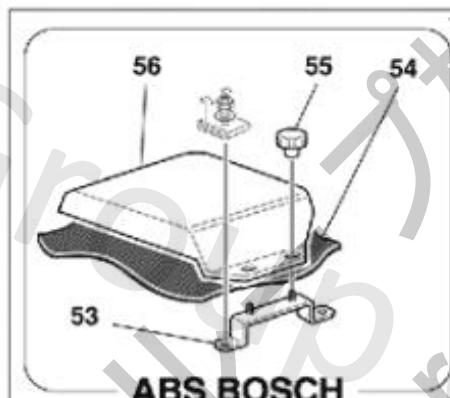
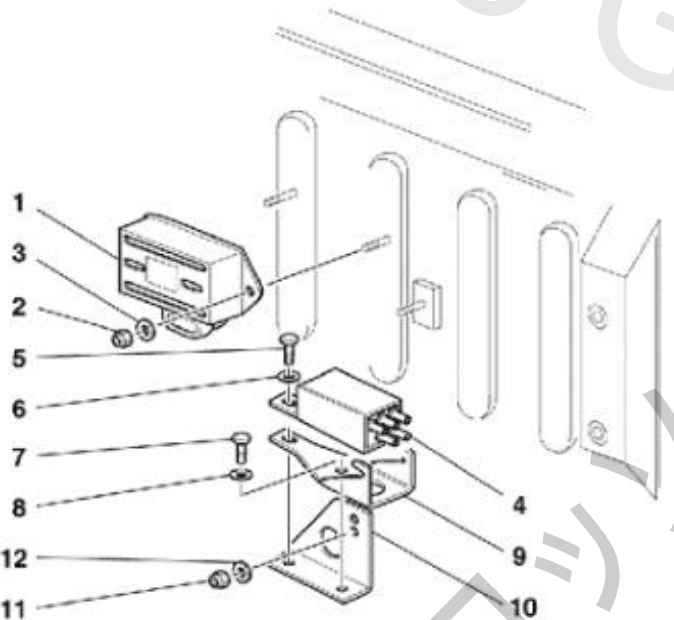
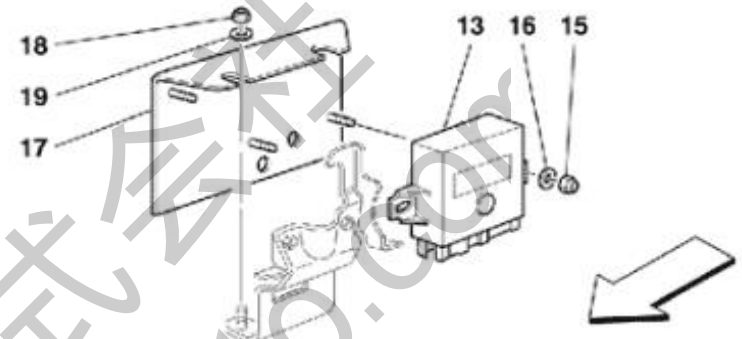
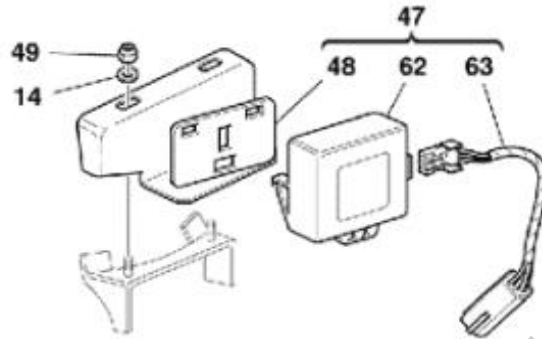
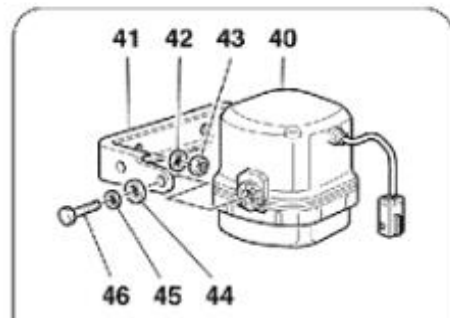
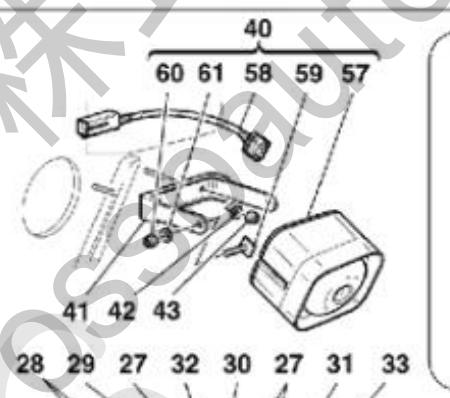


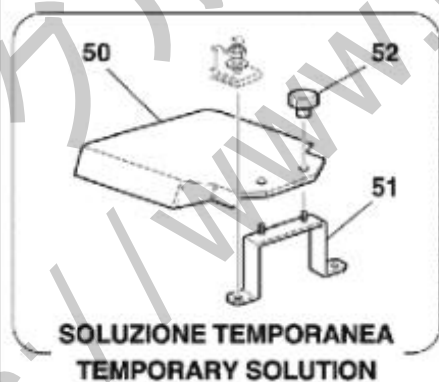
Vale fino... Vedi descrizione  
Valid till... See description



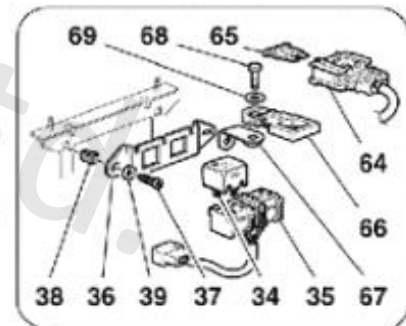
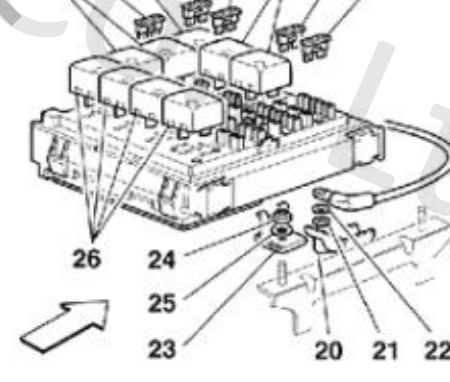
**ABS BOSCH**



Vale fino... Vedi descrizione  
Valid till... See description



**SOLUZIONE TEMPORANEA  
TEMPORARY SOLUTION**



<https://www.greentech.it/>

## 143 Electrical ...- Front Part

No.	Part No.	Name	Qty
0	156998	FRONT ELECTRIC CONTROL STATION	1
0	159635	FRONT ELECTRIC CONTROL STATION	1
1	154310	FILTRED ACCELEROMETER	1
2	169180	NUT	2
3	14496324	WASHER	2
4	137836	ACCELERATION SENSOR	1
5	10902024	SCREW	1
6	12639724	WASHER	1
7	10977524	SCREW	1
8	12637824	WASHER	1
9	138799	SENSOR SUPPORT	1
10	158728	BRACKET	1
11	102948	NUT	1
12	10519424	WASHER	1
13	153095	WINDSHIELD WIPER MOTOR INTERMITTER	1
14	10519424	WASHER	2
15	169180	NUT	2
16	14496324	WASHER	2
17	173646	BRACKET	1
17	161125	BRACKET	1
17	158720	BRACKET	1
18	102948	NUT	2
19	10519424	WASHER	2
20	140180	PROTECTION PLUG	1
21	102741	NUT	1
22	10519424	WASHER	1
23	62512200	FRONT ELECTRIC BOARD FIXING BRACKET	2
24	169180	NUT	2
25	14496324	WASHER	2
26	157992	SWITCH RELAY	4
27	157991	SWITCH RELAY	3
28	157802	DOUBLE SWITCH RELAY	2
29	125240	FUSE 7,5 A.	7
30	125241	FUSE 10 A.	9
31	125242	FUSE 15 A.	4
32	125243	FUSE 20 A.	2
33	126031	FUSE 25 A.	2
34	157992	RELAY	2

## 143 Electrical ...- Front Part

35 -	DIURNAL LIGHTS CONNECTING CABLES	1
36	137669 BRACKET	1
37	15643975 SCREW	2
38	14201980 BLOCK	2
39	12638177 WASHER	2
40	180996 COMPLETE SIREN	1
40	180095 SIREN	1
41	168584 BRACKET	1
41	179302 BRACKET	1
42	12646601 WASHER	2
43	102741 NUT	2
44	12644601 WASHER	2
45	127494 WASHER	2
46	10979414 SCREW	2
47	180096 ANTI-LIFT SENSOR	1
47	180096 COMPLETE ANTI-LIFT SENSOR	1
47	180097 COMPLETE ANTI-LIFT SENSOR	1
48	171833 BRACKET	1
48	179371 BRACKET	1
48	179376 BRACKET	1
49	102948 NUT	2
50	174134 CONTROL UNIT COVER	1
51	174136 BRACKET	1
52	62931000 KNOB	2
53	173925 BRACKET	1
54	65378900 WATER PROTECTION CLOTH	1
55	62931000 KNOB	2
56	173468 CONTROL UNIT COVER	1
57	177148 SIREN	1
57	180996 SIREN	1
58	180072 CABLE	1
59	179810 SCREW	2
60	102948 NUT	2
61	12644601 WASHER	2
62	203327 ANTI-LIFT SENSOR	1
63	180071 CABLE	1
64	181600 PARK SYSTEM PROTECTION CABLE	1
65	125241 FUSE 10 A.	1
66	178295 FUSECASE SUPPORT	1

143 Electrical ...- Front Part

67	178277 BRACKET	1
68	10977624 SCREW	1
69	12637824 WASHER	1

ロッシオーグループ株式会社  
<https://www.rossoauto.com>