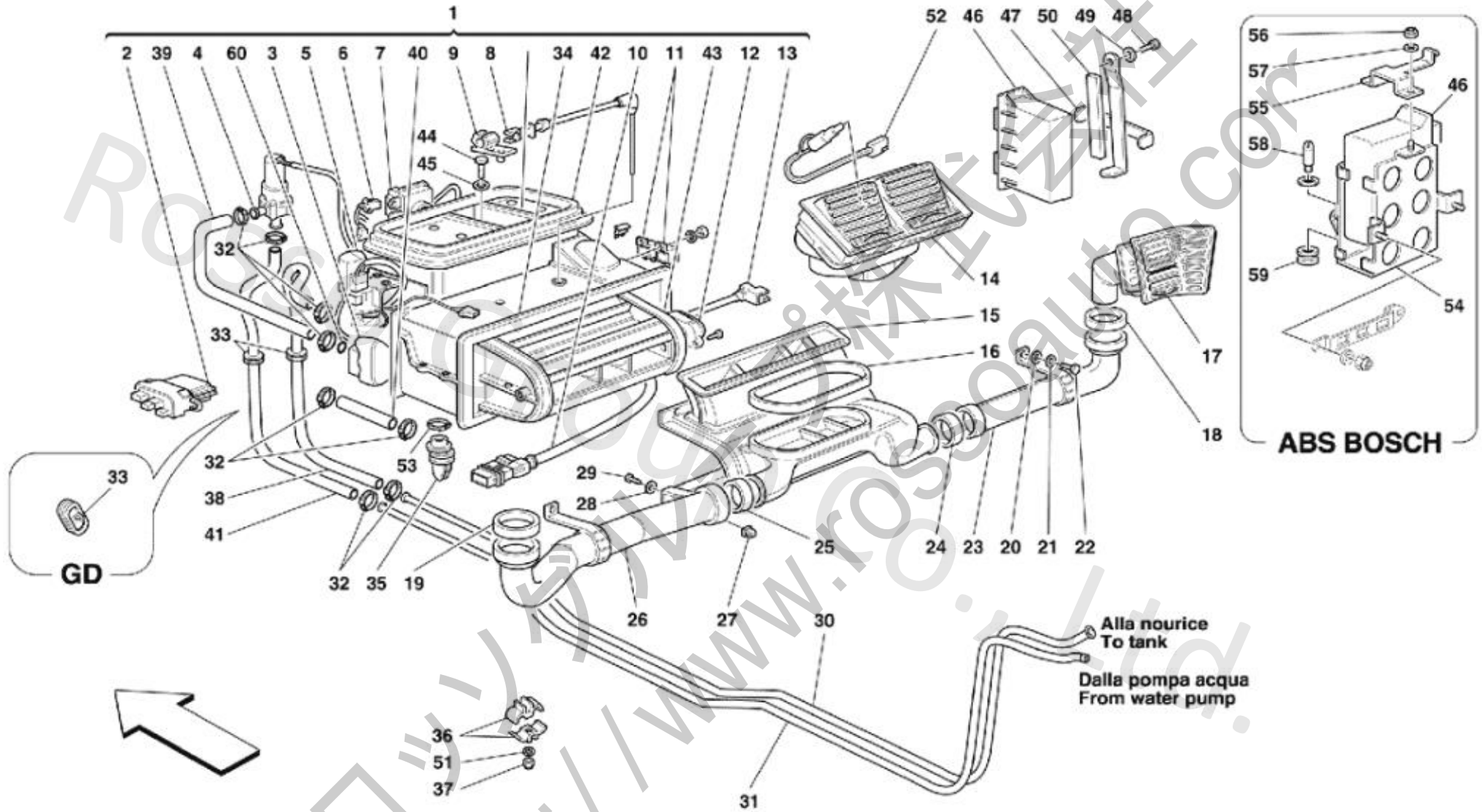


144 Evaporator Unit and ...



144 Evaporator Unit and ...

No.	Part No.	Name	Qty
1	65365900	COMPLETE EVAPORATOR SET	1
1	65353400	COMPLETE EVAPORATOR SET	1
2	63307200	POWER UNIT	1
3	65518600	EXPANSION VALVE	1
4	65488600	PUMP	1
4	70000900	PUMP	1
4	70000900	PUMP REPLACING KIT	1
5	63306400	HEATER VALVE	1
5	63306400V	HEATER VALVE	1
6	63306900	AIR INTAKE SENSOR	1
7	63306700	LID ACTUATOR	1
7	RCB01	RECIRCULATION BOSS HE	1
8	62341000	EVAPORATOR TEMPERATURE SENSOR	1
9	63306600	SENSOR RETAINING CLIP	1
10	152312	AIR CONDITIONING CABLES ASSEMBLY	1
10	160893	AIR CONDITIONING CABLES ASSEMBLY	1
11	63306800	MICRORELAY	2
12	63307100	TIMING ACTUATOR	1
13	63307000	TREATED AIR SENSOR	1
14	64690500	CENTRAL OPENING WITH LED	1
15	62189500	AIR DIFFUSER	1
15	64046400	AIR DIFFUSER	1
16	62188100	GASKET	1
17	64320200	L.H. AIR OUTLET	1
17	64320100	R.H. AIR OUTLET	1
18	62188200	R.H. PIPE/DIFFUSOR GASKET	1
19	62188300	L.H. PIPE/DIFFUSOR GASKET	1
20	12644424	WASHER	2
21	127494	WASHER	2
22	10902024	SCREW	2
23	63963100	R.H. AIR DELIVERY TUBE	1
23	62189600	R.H. AIR DELIVERY TUBE	1
24	62679200	R.H. TUBE /AIR DIFFUSER GASKET	1
25	62679000	L.H. TUBE/AIR DIFFUSOR GASKET	1
26	63963200	L.H. AIR DELIVERY TUBE	1
26	62189700	L.H. AIR DELIVERY TUBE	1
27	14201980	BLOCK	6
28	12638124	WASHER	6

144 Evaporator Unit and ...

29	15688170 SCREW	6
30	63562900 EVAPORATOR/TANK PIPE	1
31	63563000 WATER PUMP/EVAPORATOR PUMP PIPE	1
32	65424800 SCREW COLLAR	8
33	10398780 CABLE GROMMET	2
33	60679700 GASKET	1
34	62928200 TAMBOUR SEAT GASKET	1
35	62656000 BELLOWS FOR CONDENSATE VENT	1
36	62658800 CLIP	8
37	102948 NUT	4
38	62659400 RUBBER PIPE TO COCK	1
38	64495100 RUBBER PIPE TO COCK	1
39	63306300 PIPE FROM PUMP TO EVAPORATOR	1
40	63311700 PIPE FROM EVAPORATOR TO COCK	1
41	64536900 RUBBER PIPE TO PUMP	1
41	64536500 RUBBER PIPE TO PUMP	1
42	62928000 UPPER GASKET	1
43	62928100 TAMBOUR PROFILE GASKET	2
44	63234200 SCREW	3
45	127496 WASHER	3
46	64324800 A.C. ELECTRONIC CONTROL STATION	1
47	64401000 CONTROL STATION SUPPORT BRACKET	1
47	64281100 CONTROL STATION SUPPORT BRACKET	1
48	13272011 SCREW	1
49	14496201 WASHER	1
50	64530800 GASKET	1
51	12639724 WASHER	4
52	167064 ANTITHEFT LED	1
53	168220 SCREW COLLAR	1
54	65290500 BRACKET	1
54	65353200 BRACKET	1
55	65330400 BRACKET	1
56	113647 NUT	2
57	10519378 WASHER	2
58	137144 PIN	1
59	103549 CABLE GROMMET	1
60	66212500 O.R. GASKET	1