

## LIST OF TABLES

Table 1	- Crankcase	Table 35	- Outside gearbox controls - <b>Not for 456M GTA-</b>
Table 2	- Crankcase - Covers	Table 36	- Outside gearbox controls - <b>Valid for 456M GTA-</b>
Table 3	- Driving shaft - Connecting rods and pistons	Table 37	- Engine connection tube - GEARBOX AND INSULATION
Table 4	- R.H. Cylinder head	Table 38	- Differential and axle shaft - <b>Not for 456M GTA-</b>
Table 5	- L.H. Cylinder head	Table 39	- Flanges and axle shaft - <b>Valid for 456M GTA-</b>
Table 6	- Timing - Controls	Table 40	- Brake and clutch hydraulic system - <b>Not for GD-</b>
Table 7	- Timing - Valves	Table 41	- Brake and clutch hydraulic system - <b>Valid for GD-</b>
Table 8	- Engine covers	Table 42	- Pedals and accelerator control - <b>Not for GD-</b>
Table 9	- Fuel supply system	Table 43	- Pedals and accelerator control - <b>Valid for GD-</b>
Table 10	- Fuel pump	Table 44	- Brake system - <b>Not for GD-</b>
Table 11	- Fuel tank	Table 45	- Brake system - <b>Valid for GD-</b>
Table 12	- Antieaporation device - <b>Not for USA, CDN and AUS-</b>	Table 46	- Control unit and hydraulic equipment for ABS system
Table 13	- Antieaporation device - <b>Valid for USA, CDN and AUS-</b>	Table 47	- Caliper for front brake
Table 14	- Injection device	Table 48	- Caliper for rear brake
Table 15	- Ignition device	Table 49	- Hand-brake control - <b>Not for 456M GTA-</b>
Table 16	- Secondary air pump	Table 50	- Hand-brake control - <b>Valid for 456M GTA-</b>
Table 17	- Air intake manifolds	Table 51	- Hydraulic steering box and serpentine - <b>Not for GD-</b>
Table 18	- Air intake	Table 52	- Hydraulic steering box and serpentine - <b>Valid for GD-</b>
Table 19	- Exhaust system	Table 53	- Steering column
Table 20	- Blow-by system	Table 54	- Hydraulic steering pumps
Table 21	- Lubrication system - tank	Table 55	- Self-levelling suspension system - <b>Not for 456M GTA-</b>
Table 22	- Lubrication - Oil pumps	Table 56	- Self-levelling suspension system - <b>Valid for 456M GTA-</b>
Table 23	- Lubrication - Oil sumps and filters	Table 57	- Front suspension - Shock absorber and brake disc
Table 24	- Cooling system - Radiator and nource	Table 58	- Front suspension - Wishbones and stabilizer bar
Table 25	- Water pump	Table 59	- Rear suspension - Shock absorber and brake disc
Table 26	- Clutch - Controls - <b>Not for 456M GTA-</b>	Table 60	- Rear suspension - Wishbones and stabilizer bar
Table 27	- Clutch housing - <b>Valid for 456M GTA-</b>	Table 61	- Wheels
Table 28	- Gearbox - <b>Not for 456M GTA-</b>	Table 62	- Battery
Table 29	- Complete gearbox - <b>Valid for 456M GTA-</b>	Table 63	- Alternator - Starting motor - Air conditioning compressor
Table 30	- Differential carrier and gearbox cooling radiator - <b>Not for 456M GTA-</b>	Table 64	- Air conditioning system
Table 31	- Gearbox cooling radiator - <b>Valid for 456M GTA-</b>	Table 65	- Evaporator unit and controls
Table 32	- Main shaft gears and gearbox oil pump - <b>Not for 456M GTA-</b>	Table 66	- Equipment and fixing
Table 33	- Lay shaft gears - <b>Not for 456M GTA-</b>	Table 67	- Spare wheel and equipment
Table 34	- Inside gearbox controls - <b>Not for 456M GTA-</b>	Table 68	- Spare wheel fixings

## LIST OF TABLES

<b>Table 101</b>	- Front structures and components	<b>Table 132</b>	- Windshield wiper, washer and horns
<b>Table 102</b>	- Central structures and components	<b>Table 133</b>	- Anti-theft electrical boards and devices
<b>Table 103</b>	- Rear structures and components		
<b>Table 104</b>	- Roof panel structures and components		
<b>Table 105</b>	- Front bumper		
<b>Table 106</b>	- Rear bumper		
<b>Table 107</b>	- Passengers compartment and engine compartment insulations		
<b>Table 108</b>	- Trunk hood insulations <b>-Not for 456M GTA-</b>		
<b>Table 109</b>	- Trunk hood insulations <b>-Valid for 456M GTA-</b>		
<b>Table 110</b>	- Passengers compartment upholstery and carpets		
<b>Table 111</b>	- Roof panel upholstery and accessories		
<b>Table 112</b>	- Trunk hood upholstery <b>-Not for 456M GTA-</b>		
<b>Table 113</b>	- Trunk hood upholstery <b>-Valid for 456M GTA-</b>		
<b>Table 114</b>	- Engine bonnet		
<b>Table 115</b>	- Trunk hood bonnet and petrol cover		
<b>Table 116</b>	- Doors - Framework and coverings		
<b>Table 117</b>	- Doors - Opening control and hinges		
<b>Table 118</b>	- Doors - Power window and rearview mirror		
<b>Table 119</b>	- Glasses and gasket		
<b>Table 120</b>	- Front seats and seat belts		
<b>Table 121</b>	- Front seat movement system		
<b>Table 122</b>	- Rear seats and belts		
<b>Table 123</b>	- Tunnel - upholstery and accessories		
<b>Table 124</b>	- Dashboard		
<b>Table 125</b>	- Air-bags		
<b>Table 126</b>	- Instruments		
<b>Table 127</b>	- Front and rear lights - outside finishings		
<b>Table 128</b>	- Lights lifting device and headlights		
<b>Table 129</b>	- Electrical system		
<b>Table 130</b>	- Electrical boards		
<b>Table 131</b>	- Stereo equipment		

## ABBREVIAZIONI

<b>456M GT</b>	- Vetture cambio meccanico
<b>456M GTA</b>	- Vetture cambio automatico
<b>GS</b>	- Vetture guida sinistra
<b>GD</b>	- Vetture guida destra
<b>USA</b>	- Versione USA
<b>CDN</b>	- Versione Canada
<b>CH</b>	- Versione Svizzera
<b>GB</b>	- Versione Regno Unito
<b>I</b>	- Versione Italia
<b>D</b>	- Versione Germania
<b>B</b>	- Versione Belgio
<b>AUS</b>	- Versione Australia
<b>SA</b>	- Versione Arabia Saudita
<b>ZA</b>	- Versione Sud Africa
<b>J</b>	- Versione Giappone
<b>ORIENTE</b>	- Versioni: Singapore, Hong Kong, Thailandia
<b>IRL</b>	- Versione Irlanda
<b>NL</b>	- Versione Olanda
<b>S</b>	- Versione Svezia
<b>BRUNEI</b>	- Versione Brunei
<b>Ass.Nr.</b>	- Assembly Number

## ABBREVIATIONS

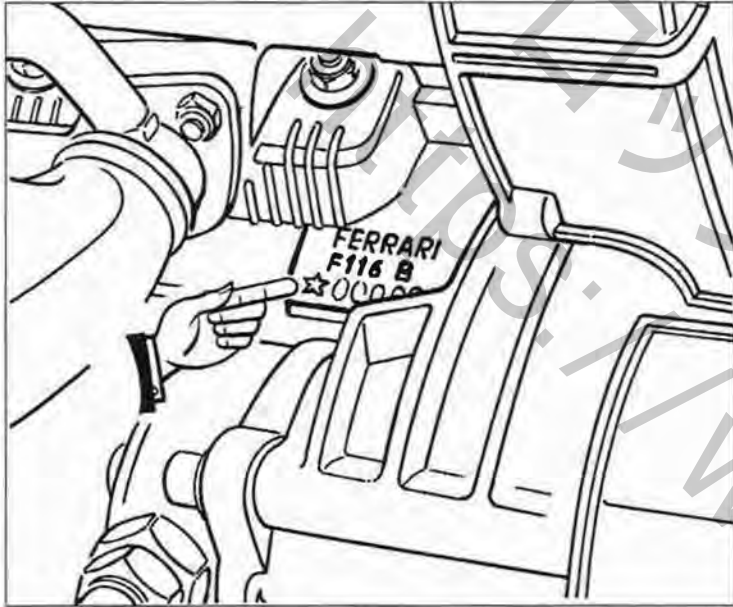
<b>456M GT</b>	- Cars with mechanic transmission
<b>456M GTA</b>	- Cars with automatic transmission
<b>GS</b>	- L.H.D.
<b>GD</b>	- R.H.D.
<b>USA</b>	- USA version
<b>CDN</b>	- Canadian version
<b>CH</b>	- Switzerland version
<b>GB</b>	- British version
<b>I</b>	- Italian version
<b>D</b>	- Germany version
<b>B</b>	- Belgium version
<b>AUS</b>	- Australian version
<b>SA</b>	- Saudi Arabia version
<b>ZA</b>	- South African version
<b>J</b>	- Japanese version
<b>ORIENTE</b>	- Singapore, Hong Kong, Thailandia versions
<b>IRL</b>	- Ireland version
<b>NL</b>	- Netherlands version
<b>S</b>	- Sweden version
<b>BRUNEI</b>	- Brunei version
<b>Ass.Nr.</b>	- Assembly Number

## ABBREVIATIONS

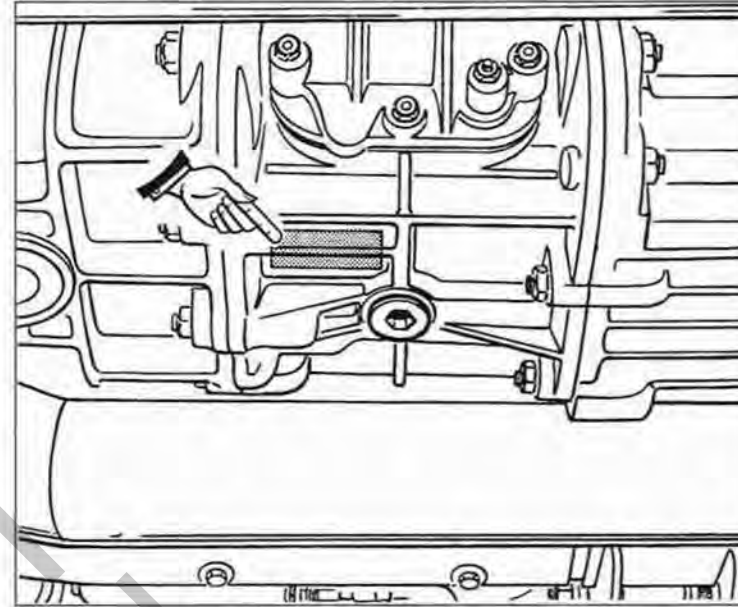
<b>456M GT</b>	- Voitures avec boîte de vitesses mécanique
<b>456M GTA</b>	- Voitures avec boîte de vitesses automatique
<b>GS</b>	- Conduite à gauche
<b>GD</b>	- Conduite à droite
<b>USA</b>	- Version USA
<b>CDN</b>	- Version Canadien
<b>CH</b>	- Version Suisse
<b>GB</b>	- Version U.K.
<b>I</b>	- Version Italie
<b>D</b>	- Version Allemagne
<b>B</b>	- Version Belgique
<b>AUS</b>	- Version Australie
<b>SA</b>	- Version Arabie
<b>ZA</b>	- Version Africa du Sud
<b>J</b>	- Version Japon
<b>ORIENTE</b>	- Versions: Singapore, Hong Kong, Thailandia
<b>IRL</b>	- Version Irlande
<b>NL</b>	- Version Hollande
<b>S</b>	- Version Suède
<b>BRUNEI</b>	- Version Brunéi
<b>Ass.Nr.</b>	- Assembly Number



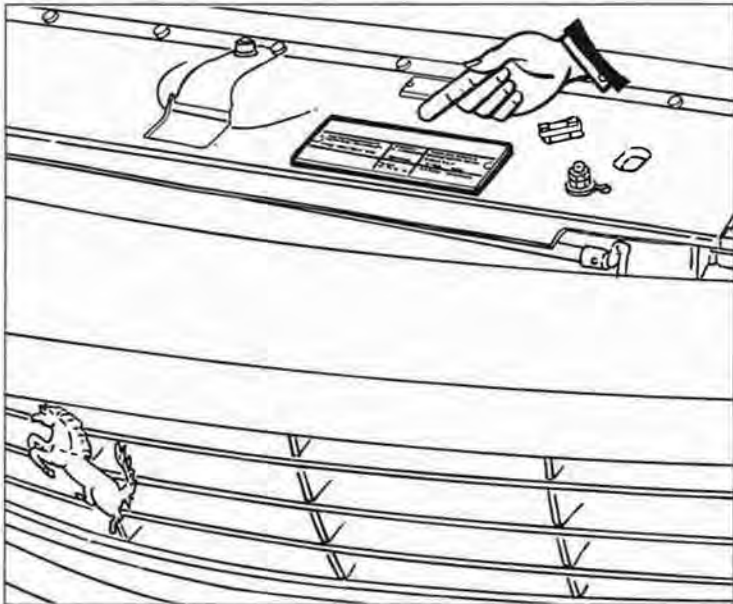
# NUMERI IDENTIFICAZIONE IDENTIFICATION NUMBERS - NUMEROS D'IDENTIFICATION



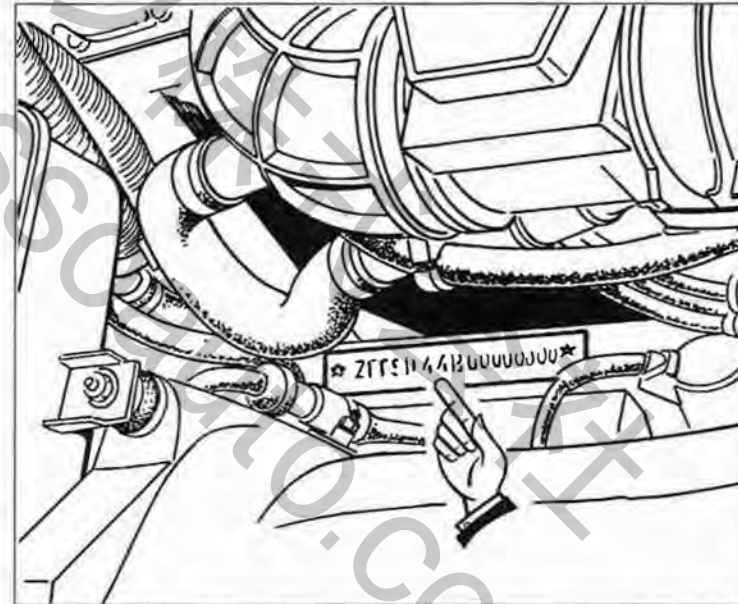
Nr. Motore  
**Engine Nr.**  
Nr. Moteur



Nr. Cambio  
**Gearbox nos.**  
Nrs. Boîte à vitesse

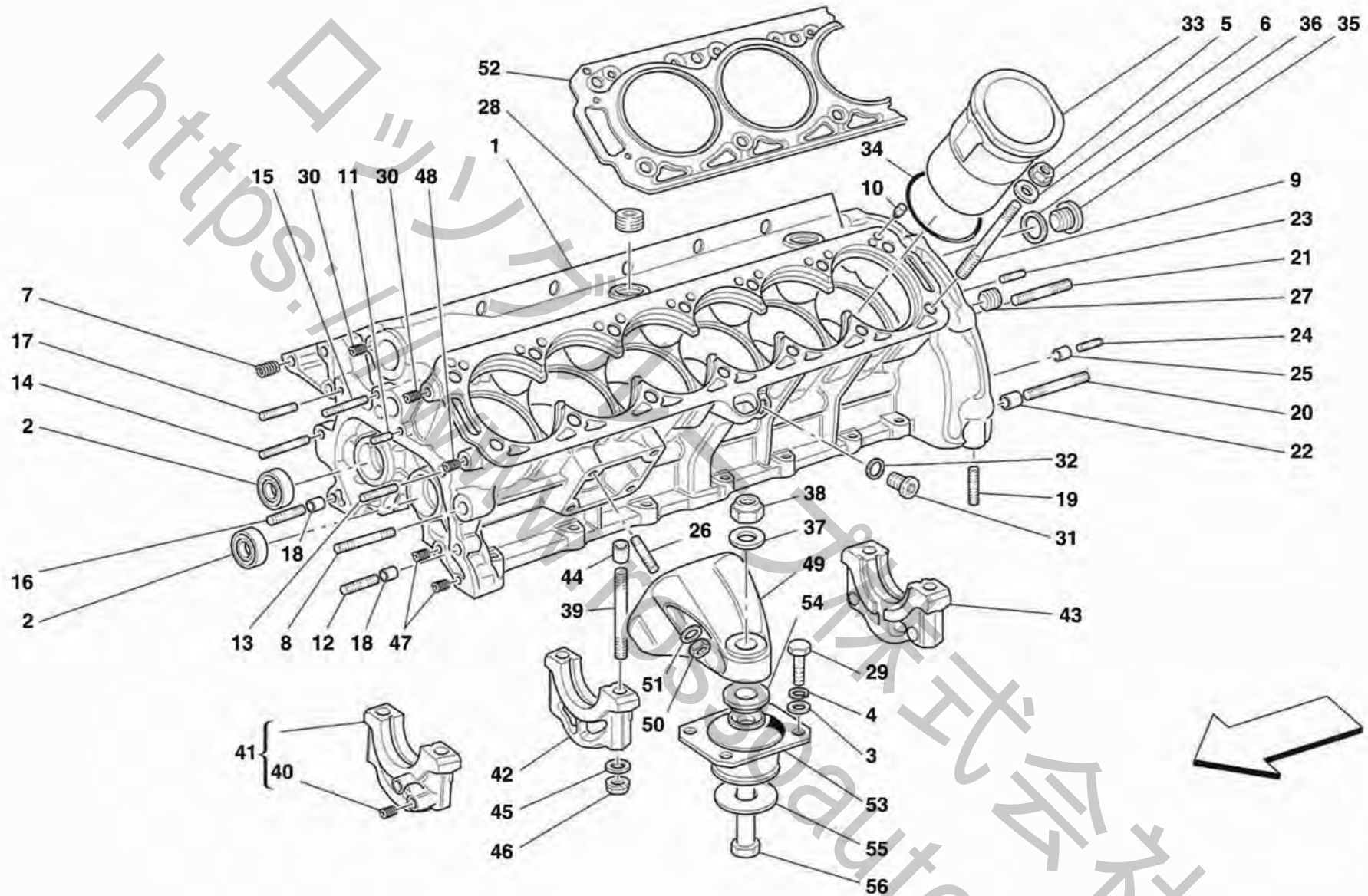


**Assembly number**



Nr. Matricola  
**Chassis Nr.**  
Nr. Matricule





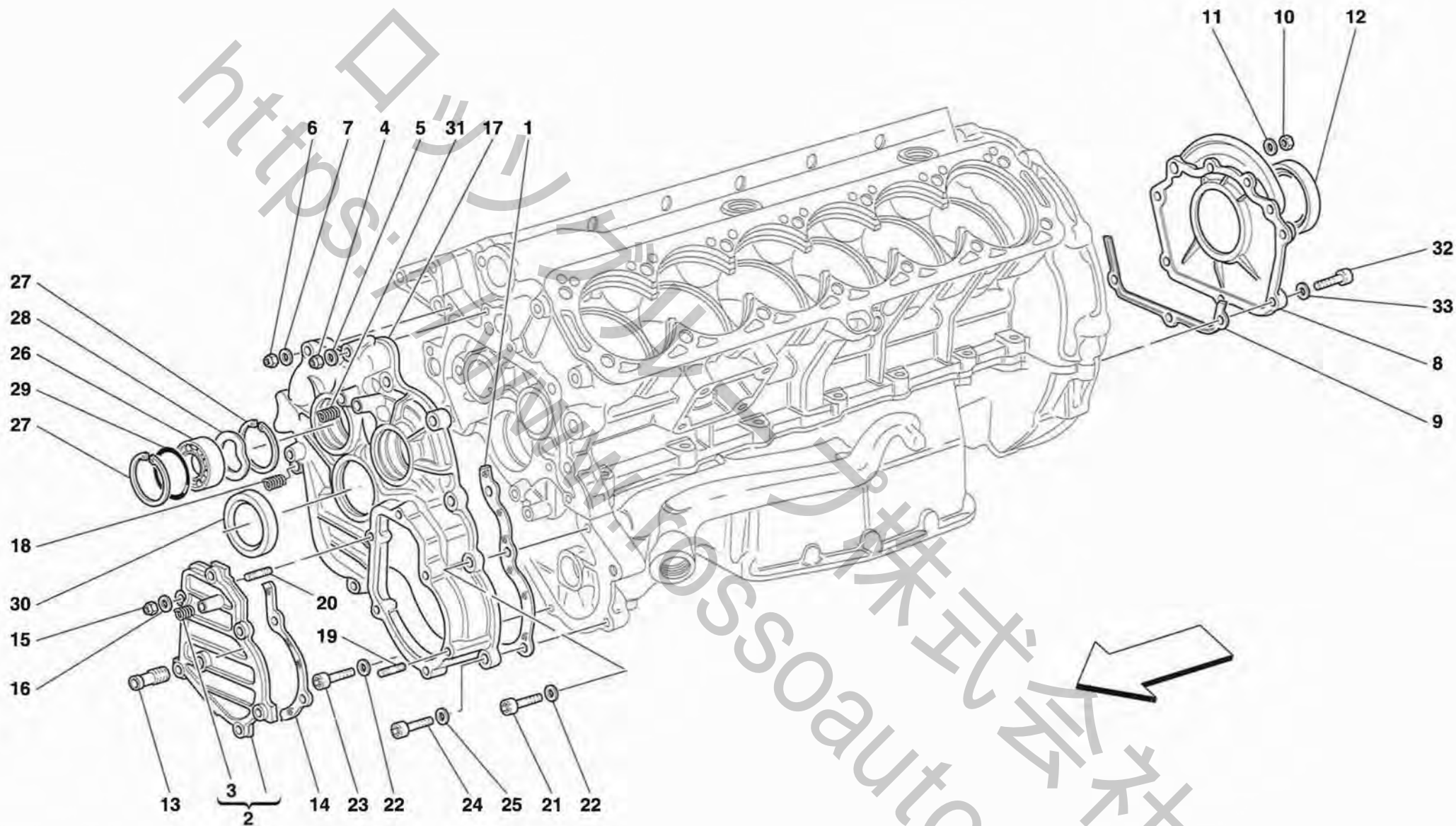
**456MGT/GTA**

**BASAMENTO  
CRANKCASE**

**TAV. 1**

DATA: OTTOBRE '98

Rif	Dis.N° Part.N°	Q.ty	Denominazione	Description	Rif	Dis.N° Part.N°	Q.ty	Denominazione	Description
-	173504	1	<b>BASAMENTO COMPLETO</b>	<b>COMPLETE BASE-PLATE</b>	31	150731	2	TAPPO FILETTATO	THREADED PLUG
1	164849	1	BASAMENTO MOTORE -Non a ricambio- -Con il basamento compl. 173504-	CRANKCASE -Not as spare part- -With the compl. crankcase 173504-	32	10280060	2	GUARNIZIONE	GASKET
2	171177	2	CUSCINETTO	BEARING	33	166991	12	CANNA CILINDRO	CYLINDER LINER
3	14496624	8	ROSETTA	WASHER	34	140321	12	GUARNIZIONE	GASKET
4	127497	8	ROSETTA	WASHER	35	10304640	1	TAPPO FILETTATO	THREADED PLUG
5	140664	28	DADO	NUT	36	10264560	1	GUARNIZIONE	GASKET
6	140603	28	RONDELLA	WASHER	37	12601774	2	ROSETTA	WASHER
7	13526170	3	INSERTO FILETTATO	THREADED INSERT	38	176573	2	DADO	NUT
8	13972234	1	PRIGIONIERO	STUD	39	140553	14	PRIGIONIERO	STUD
9	140591	28	PRIGIONIERO	STUD	40	13525770	2	INSERTO FILETTATO	THREADED INSERT
10	152627	4	GRANO	DOWEL	41	140545	1	CAPPELLO ANTERIORE -Non a ricambio- -Con il basamento completo-	FRONT HAT -Not as spare part- -With complete crankcase-
11	13541224	1	PRIGIONIERO	STUD	42	140499	5	CAPPELLO INTERMEDIO -Non a ricambio- -Con il basamento completo-	INTERMEDIATE HAT -Not as spare part- -With complete crankcase-
12	13543924	1	PRIGIONIERO	STUD	43	140565	1	CAPPELLO POSTERIORE -Non a ricambio- -Con il basamento completo-	REAR HAT -Not as spare part- -With complete crankcase-
13	13543524	1	PRIGIONIERO	STUD	44	145493	14	GRANO	DOWEL
14	13541924	1	PRIGIONIERO	STUD	45	142588	14	ROSETTA	WASHER
15	13541724	1	PRIGIONIERO	STUD	46	142590	14	DADO	NUT
16	13543424	1	PRIGIONIERO	STUD	47	13525570	2	INSERTO FILETTATO	THREADED INSERT
17	13543824	1	PRIGIONIERO	STUD	48	13525570	1	INSERTO FILETTATO	THREADED INSERT
18	100041	2	GRANO	DOWEL	49	141892	2	ZAMPA FISSAGGIO MOTORE	SUPPORT FOR MOTOR FIXING
19	13517224	2	PRIGIONIERO	STUD	50	133988	8	DADO	NUT
20	13543924	1	PRIGIONIERO	STUD	51	11190574	8	ROSETTA	WASHER
21	13543824	3	PRIGIONIERO	STUD	52	142865	2	GUARNIZIONE	GASKET
22	102704	2	GRANO	DOWEL	53	159423	2	CORPO TAMPONE	WICK BODY
23	13541024	2	PRIGIONIERO	STUD	54	132268	2	PIATTELLO	SPACER
24	13541224	2	PRIGIONIERO	STUD	55	132269	2	PIATTELLO	SPACER
25	103038	2	GRANO	DOWEL	56	15981634	2	VITE	SCREW
26	13546524	8	PRIGIONIERO	STUD					
27	10268450	2	TAPPO FILETTATO	THREADED PLUG					
28	14325540	2	TAPPO FILETTATO	THREADED PLUG					
29	15970634	8	VITE	SCREW					
30	13525870	2	INSERTO FILETTATO	THREADED INSERT					



**456MGT/GTA**

**BASAMENTO - COPERCHI**  
**CRANKCASE - COVERS**

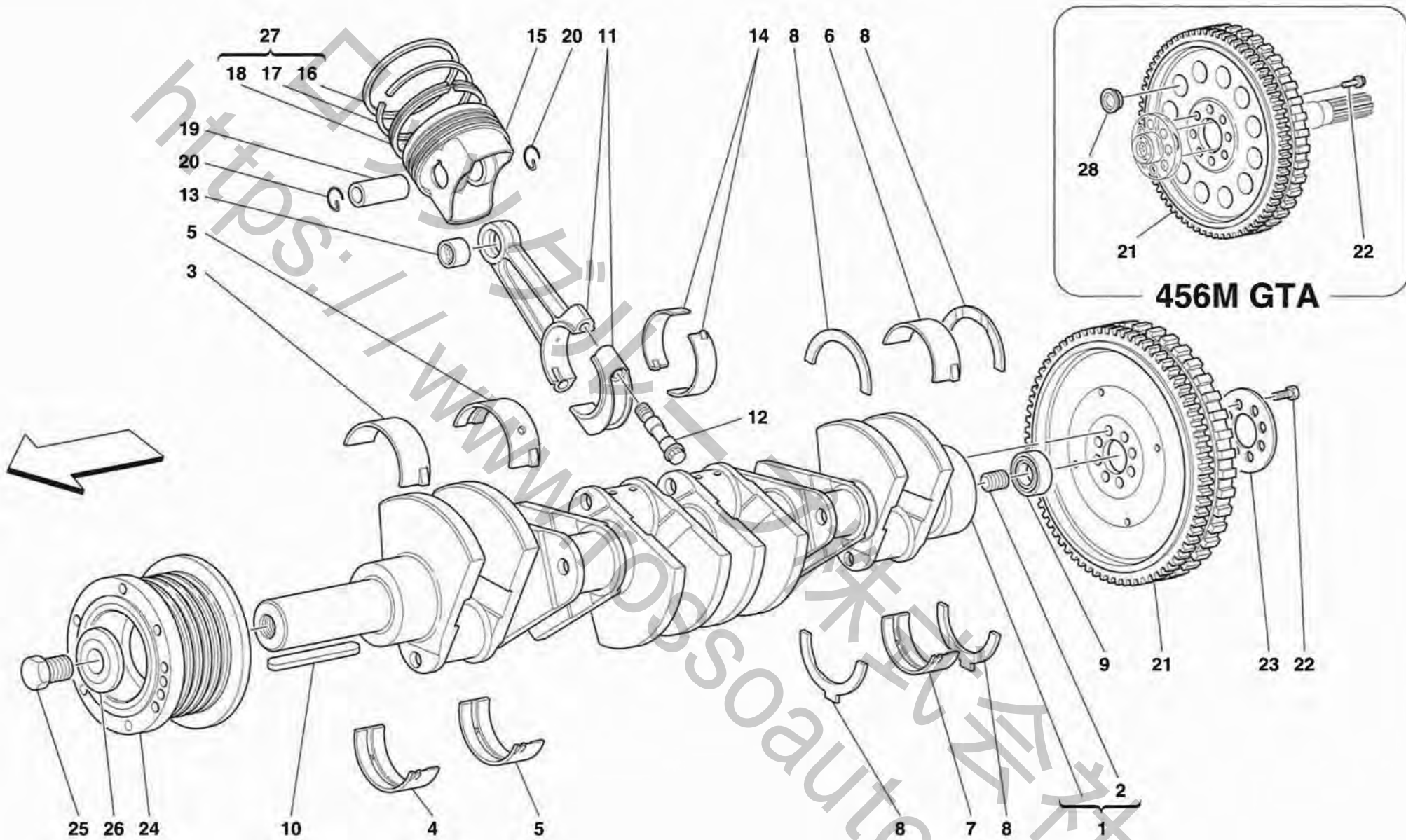
**TAV. 2**

DATA: OTTOBRE '98



Rif	Dis.N° Part.N°	Q.ty	Denominazione	Description
1	154527	1	GUARNIZIONE	GASKET
2	157120	1	COPERCHIETTO ANT.	SMALL FRONT COVER
3	13525570	1	INSERTO FILETTATO	THREADED INSERT
4	101139	4	DADO	NUT
5	12601374	4	ROSETTA	WASHER
6	102741	3	DADO	NUT
7	12601274	3	ROSETTA	WASHER
8	141343	1	COPERCHIO POSTERIORE	REAR COVER
9	141291	1	GUARNIZIONE	GASKET
10	15896214	4	DADO	NUT
11	12620474	4	RONDELLA	WASHER
12	163989	1	GUARNIZIONE	GASKET
13	154525	1	RACCORDO	UNION
14	157121	1	GUARNIZIONE	GASKET
15	102741	6	DADO	NUT
16	12601274	6	ROSETTA	WASHER
17	178601	1	COPERCHIO ANTERIORE COMPL.	COMPLETO FRONT COVER
-	159346	1	COPERCHIO ANTERIORE	FRONT COVER
			-Non a ricambio-	-Not as spare part-
			-Con il coperchio completo 178601-	-With the complete cover 178601-

Rif	Dis.N° Part.N°	Q.ty	Denominazione	Description
18	13525470	1	INSERTO FILETTATO	THREADED INSERT
19	13541024	5	PRIGIONIERO	STUD
20	13540824	1	PRIGIONIERO	STUD
21	14305424	2	VITE	SCREW
22	11197774	4	ROSETTA	WASHER
23	14306024	2	VITE	SCREW
24	14306524	2	VITE	SCREW
25	11193874	2	ROSETTA	WASHER
26	170787	2	CUSCINETTO	BEARING
27	11060576	4	ANELLO ELASTICO	FLEXIBLE RING
28	133377	2	ROSETTA	WASHER
29	136140	2	GUARNIZIONE O.R.	O.R. GASKET
30	134714	1	GUARNIZIONE	GASKET
31	13525570	2	INSERTO FILETTATO	THREADED INSERT
32	14305424	3	VITE	SCREW
33	11197774	3	ROSETTA	WASHER



**456MGT/GTA**

**ALBERO MOTORE - BIELLE E PISTONI**

**DRIVING SHAFT - CONNECTING RODS AND PISTONS**

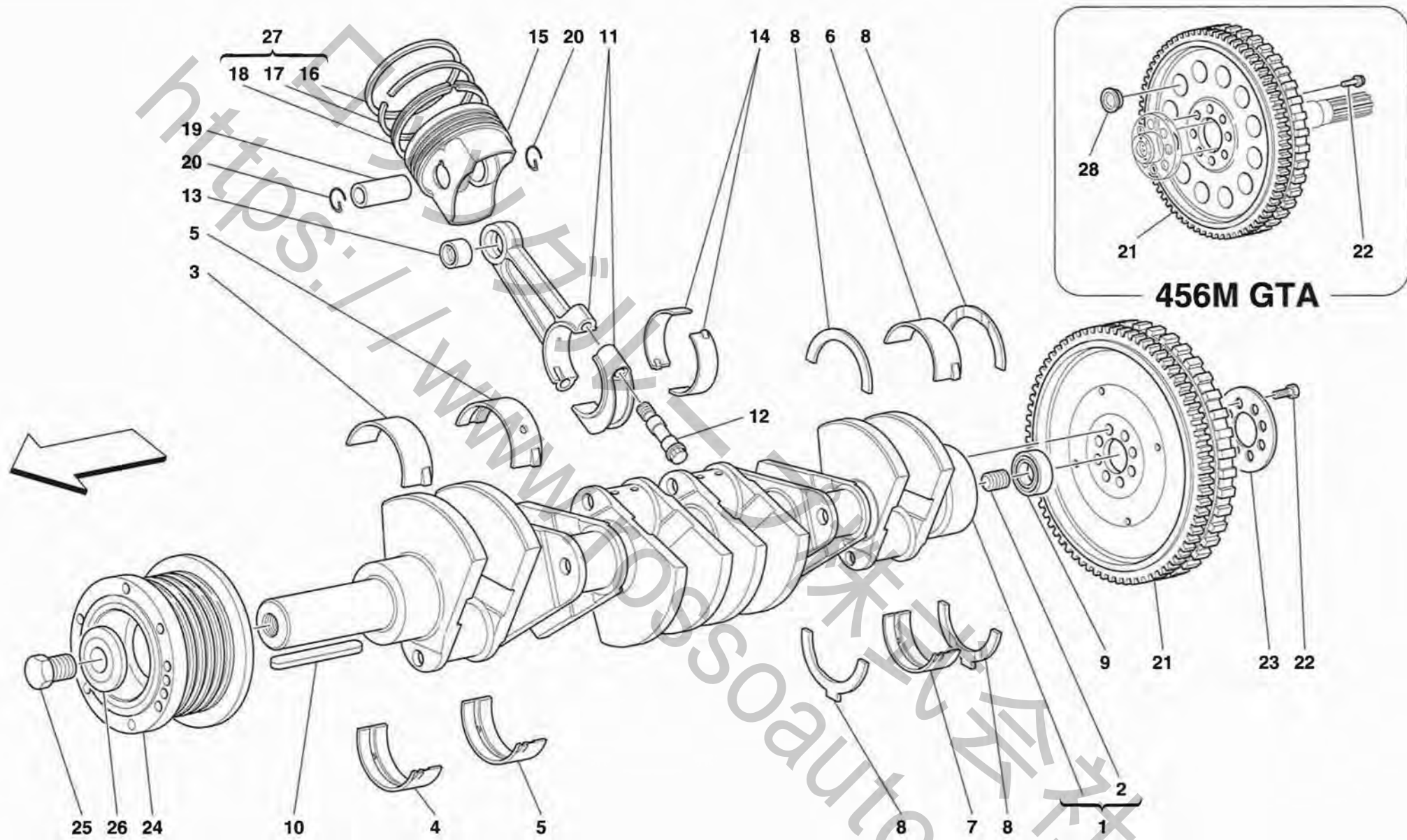
**TAV. 3**

DATA: OTTOBRE '98

Rif	Dis.N° Part.N°	Q.ty	Denominazione	Description
1	140501	1	ALBERO MOTORE	CRANKSHAFT
2	163528	1	TAPPO FILETTATO	THREADED PLUG
-	<b>173484</b>	1	<b>SERIE COMPLETA SEMICUSCINETTI</b>	<b>HALF BEARING SET</b>
-			-NOMINALE-	-NOMINAL-
-	<b>173485</b>	1	<b>SERIE COMPLETA SEMICUSCINETTI</b>	<b>HALF BEARING SET</b>
-			-1ª MINORAZIONE mm. 0,254-	-1st UNDERSIZE mm. 0,254-
-	<b>173486</b>	1	<b>SERIE COMPLETA SEMICUSCINETTI</b>	<b>HALF BEARING SET</b>
-			-2ª MINORAZIONE mm. 0,508-	-2nd UNDERSIZE mm. 0,508-
3	—	1	SEMICUSCINETTO ANTERIORE SUPERIORE	UPPER FRONT HALF BEARING
-			-Non a ricambio-	-Not as spare part-
-			-Con la serie completa-	-With complete series-
4	—	1	SEMICUSCINETTO ANTERIORE INFERIORE	LOWER FRONT HALF BEARING
-			-Non a ricambio-	-Not as spare part-
-			-Con la serie completa-	-With complete series-
5	—	10	SEMICUSCINETTO INTERMEDIO	INTERMEDIATE HALF BEARING
-			-Non a ricambio-	-Not as spare part-
-			-Con la serie completa-	-With complete series-
6	—	1	SEMICUSCINETTO POSTERIORE SUPERIORE	UPPER REAR HALF BEARING
-			-Non a ricambio-	-Not as spare part-
-			-Con la serie completa-	-With complete series-
7	—	1	SEMICUSCINETTO POSTERIORE INFERIORE	LOWER REAR HALF BEARING
-			-Non a ricambio-	-Not as spare part-
-			-Con la serie completa-	-With complete series-
8	164111	2	ANELLO DI RASAMENTO SUP.	UPPER SHIM
-			-Non a ricambio-	-Not as spare part-
-			-Con la serie completa <b>173484</b> -	-With the complete series <b>173484</b> -
-	164112	-	ANELLO DI RASAMENTO SUP. 1ª MAGGIORAZIONE mm 0,127	UPPER SHIM 1st OVERSIZE mm 0.127
-			-Non a ricambio-	-Not as spare part-
-			-Con la serie completa <b>173485</b> -	-With the complete series <b>173485</b> -
-	164113	-	ANELLO DI RASAMENTO SUP. 2ª MAGGIORAZIONE mm 0,254	UPPER SHIM 2nd OVERSIZE mm 0,254
-			-Non a ricambio-	-Not as spare part-
-			-Con la serie completa <b>173486</b> -	-With the complete series <b>173486</b> -
-	164108	2	ANELLO DI RASAMENTO INF.	LOWER SHIM
-			-Non a ricambio-	-Not as spare part-
-			-Con la serie completa <b>173484</b> -	-With the complete series <b>173484</b> -

Rif	Dis.N° Part.N°	Q.ty	Denominazione	Description
-	164109	-	ANELLO DI RASAMENTO INF. 1ª MAGGIORAZIONE mm 0,127	LOWER SHIM 1st OVERSIZE mm 0.127
-			-Non a ricambio-	-Not as spare part-
-			-Con la serie completa <b>173485</b> -	-With the complete series <b>173485</b> -
-	164110	-	ANELLO DI RASAMENTO INF. 2ª MAGGIORAZIONE mm 0,254	LOWER SHIM 2nd OVERSIZE mm 0,254
-			-Non a ricambio-	-Not as spare part-
-			-Con la serie completa <b>173486</b> -	-With the complete series <b>173486</b> -
9	103877	1	CUSCINETTO PER ALBERO	BEARING FOR SHAFT
-			-No per <b>456M GTA</b> -	-Not for <b>456M GTA</b> -
10	144876	1	LINGUETTA	KEY
11	<b>155613</b>	12	<b>BIELLA E CAPPELLO COMPLETI</b>	<b>COMPLETE CONNECTING ROD AND HAT</b>
-	—	12	BIELLA CON CAPPELLO	CONNECTING ROD WITH HAT
-			-Non a ricambio-	-Not as spare part-
-			-Con il complessivo biella e cappello completa-	-With the assembly complete connecting rod and cap-
12	150966	24	VITE SERRAGGIO BIELLA	CONNECTING ROD TIGHTENING SCREW
13	170047	12	BOCCOLA	BUSHING
14	100150	24	SEMICUSCINETTO BIELLA	CONNECTING ROD HALF BEARING
-	100151	-	SEMICUSCINETTO BIELLA 1ª MINORAZIONE mm 0,254	CONNECTING ROD HALF BEARING 1st UNDERSIZE mm 0.254
-	100152	-	SEMICUSCINETTO BIELLA 2ª MINORAZIONE mm 0,508	CONNECTING ROD HALF BEARING 2nd UNDERSIZE mm 0.508
15	<b>168173</b>	12	<b>PISTONE COMPLETO DI SEGMENTI</b>	<b>PISTON WITH RINGS</b>
16	—	12	ANELLO DI TENUTA -1ª gola-	SEAL RING -1st groove-
-			-Non a ricambio-	-Not as spare part-
-			-Con la serie completa <b>173535</b> -	-With complete series <b>173535</b> -
17	—	12	ANELLO DI TENUTA -2ª gola-	SEAL RING -2nd groove-
-			-Non a ricambio-	-Not as spare part-
-			-Con la serie completa <b>173535</b> -	-With complete series <b>173535</b> -
18	—	12	ANELLO RASCHIAOLIO -3ª gola-	OIL SCRAPING RING -3rd groove-
-			-Non a ricambio-	-Not as spare part-
-			-Con la serie completa <b>173535</b> -	-With complete series <b>173535</b> -
19	154717	12	SPINOTTO	PIN
20	152993	24	ANELLO ARRESTO	STOP RING
21	173760	1	VOLANO MOTORE	ENGINE FLYWHEEL
-			-No per <b>456M GTA</b> -	-Not for <b>456M GTA</b> -





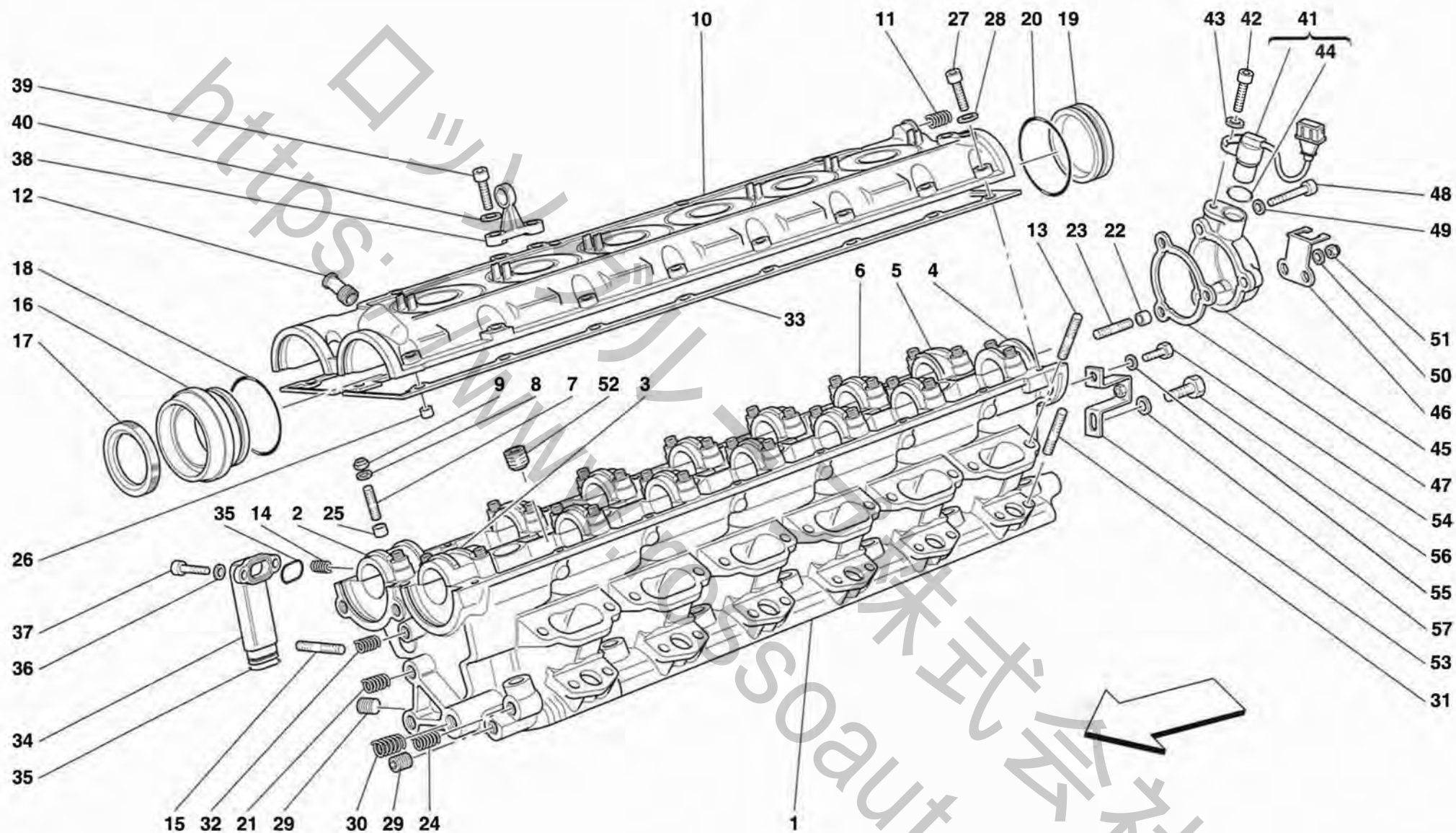
**456MGT/GTA**

**ALBERO MOTORE - BIELLE E PISTONI**  
**DRIVING SHAFT - CONNECTING RODS AND PISTONS**

**TAV. 3**

DATA: OTTOBRE '98

Rif	Dis.N° Part.N°	Q.ty	Denominazione	Description	Rif	Dis.N° Part.N°	Q.ty	Denominazione	Description
-	170774	1	VOLANO MOTORE -Vale per 456M GTA-	ENGINE FLYWHEEL -Valid for 456M GTA-	-	175690	1	SMORZATORE TORSIONALE -Vale per 456M GTA-	TORSION DAMPER -Valid for 456M GTA-
22	103875	8	VITE -No per 456M GTA-	SCREW -Not for 456M GTA-	25	140925	1	VITE	SCREW
-	155750	8	VITE -Vale per 456M GTA-	SCREW -Valid for 456M GTA-	26	140922	1	ROSETTA	WASHER
23	103876	1	RONDELLA -No per 456M GTA-	WASHER -Not for 456M GTA-	27	173535	12	SERIE COMPLETA SEGMENTI	PISTONS RINGS SET
24	168565	1	SMORZATORE TORSIONALE -No per 456M GTA-	TORSION DAMPER -Not for 456M GTA-	28	111540	6	TAPPO AD ESPANSIONE -Vale per 456M GTA-	PLUG -Valid for 456M GTA-



**456MGT/GTA**

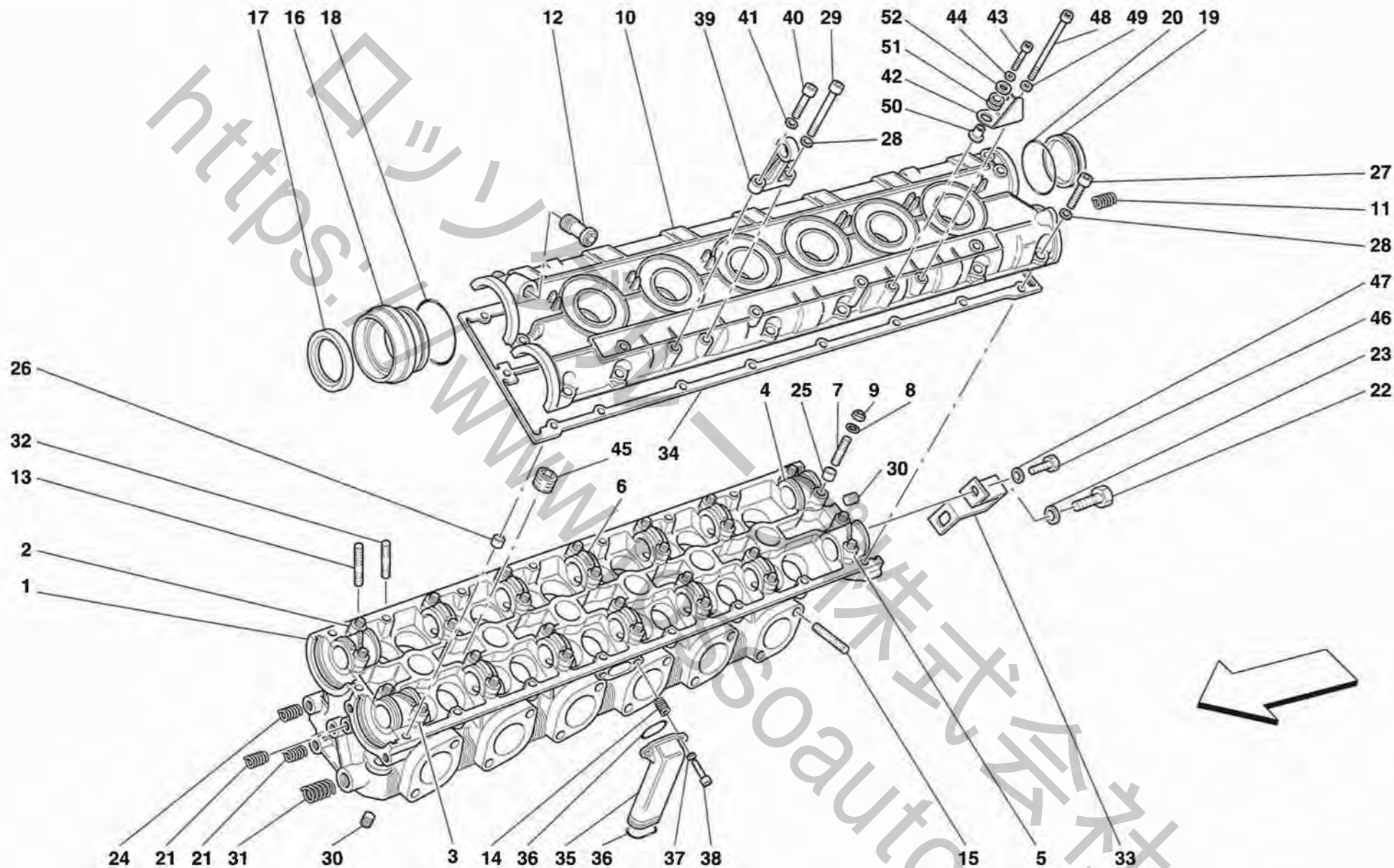
*TESTA CILINDRI DESTRA*  
*R.H. CYLINDER HEAD*

**TAV. 4**

DATA: OTTOBRE '98



Rif	Dis.N° Part.N°	Q.ty	Denominazione	Description	Rif	Dis.N° Part.N°	Q.ty	Denominazione	Description
~	178848	1	TESTA CILINDRI DX. COMPL.	COMPLETE R.H. CYLINDERS HEAD	22	102725	2	GRANO	DOWEL
1	178793	1	TESTA DX.	RIGHT CYLINDER HEAD	23	13541324	2	PRIGIONIERO	STUD
			-Non a ricambio-	-Not as spare part-	24	13525870	1	INSERTO FILETTATO	THREADED INSERT
			-Con la testa cilindri completa-	-With complete cylinder head-	25	102725	28	GRANO	DOWEL
2	149844	1	CAPPELLO ANT. DX.	RIGHT FRONT CAP	26	102725	2	GRANO	DOWEL
			-Non a ricambio-	-Not as spare part-	27	156834	18	VITE	SCREW
			-Con la testa cilindri completa-	-With complete cylinder head-	28	12601274	18	ROSETTA	WASHER
3	149829	1	CAPPELLO ANT. SX.	LEFT FRONT CAP	29	14326150	2	TAPPO	PLUG
			-Non a ricambio-	-Not as spare part-	30	13524670	1	INSERTO FILETTATO	THREADED INSERT
			-Con la testa cilindri completa-	-With complete cylinder head-	31	11500224	12	PRIGIONIERO	STUD
4	149864	1	CAPPELLO POST. SX.	LEFT REAR CAP	32	13525570	1	INSERTO FILETTATO	THREADED INSERT
			-Non a ricambio-	-Not as spare part-	33	140753	1	GUARNIZIONE COPERCHIO	COVER GASKET
			-Con la testa cilindri completa-	-With complete cylinder head-	34	154647	1	CONDOTTO SCARICO OLIO	OIL EXHAUST DUCTING
5	149862	1	CAPPELLO POST. DX.	RIGHT REAR CAP	35	142599	2	GUARNIZIONE O.R.	O.R. GASKET
			-Non a ricambio-	-Not as spare part-	36	12601174	2	ROSETTA	WASHER
			-Con la testa cilindri completa-	-With complete cylinder head-	37	14304224	2	VITE	SCREW
6	152505	10	CAPPELLO INTERMEDIO	INTERMEDIATE CAP	38	151688	1	SUPPORTO CAVO ACCELERATORE	SUPPORT FOR ACCELERATOR CABLE
			-Non a ricambio-	-Not as spare part-	39	14305224	2	VITE	SCREW
			-Con la testa cilindri completa-	-With complete cylinder head-	40	12604274	2	ROSETTA	WASHER
7	13541424	28	PRIGIONIERO	STUD	41	150866	1	SENSORE DI FASE	PHASE SENSOR
8	11197774	28	ROSETTA	WASHER	42	14305224	1	VITE	SCREW
9	15896214	28	DADO	NUT	43	12601274	2	ROSETTA	WASHER
10	151675	1	COPERCHIO TESTA CILINDRI DX.	R.H. CYLINDERS HEAD COVER	44	150867	1	ANELLO DI TENUTA	SEAL RING
			-Non a ricambio-	-Not as spare part-	45	151275	1	SUPPORTO SENSORE DI FASE DX.	R.H. PHASE SENSOR SUPPORT
			-Con la testa cilindri completa-	-With complete cylinder head-	46	178717	1	STAFFA	BRACKET
11	13525470	1	INSERTO FILETTATO	THREADED INSERT	47	140787	1	GUARNIZIONE	GASKET
12	154525	1	RACCORDO	UNION	48	14305521	1	VITE	SCREW
13	13541124	12	PRIGIONIERO	STUD	49	12604274	1	ROSETTA	WASHER
14	13525170	2	INSERTO FILETTATO	THREADED INSERT	50	12601274	2	ROSETTA	WASHER
15	13516824	12	PRIGIONIERO	STUD	51	102741	2	DADO	NUT
16	148022	1	COPERCHIETTO ANTERIORE	FRONT COVER	52	127635	4	TAPPO FILETTATO	THREADED PLUG
17	163987	1	GUARNIZIONE	GASKET	53	157910	1	STAFFA	BRACKET
18	117275	1	GUARNIZIONE O.R.	O.R. GASKET	54	10902024	1	VITE	SCREW
19	148023	1	COPERCHIETTO POSTERIORE	REAR SMALL COVER	55	127494	1	ROSETTA	WASHER
20	117275	1	GUARNIZIONE O.R.	O.R. GASKET	56	16043124	1	VITE	SCREW
21	13525770	2	INSERTO FILETTATO	THREADED INSERT	57	127496	1	ROSETTA	WASHER



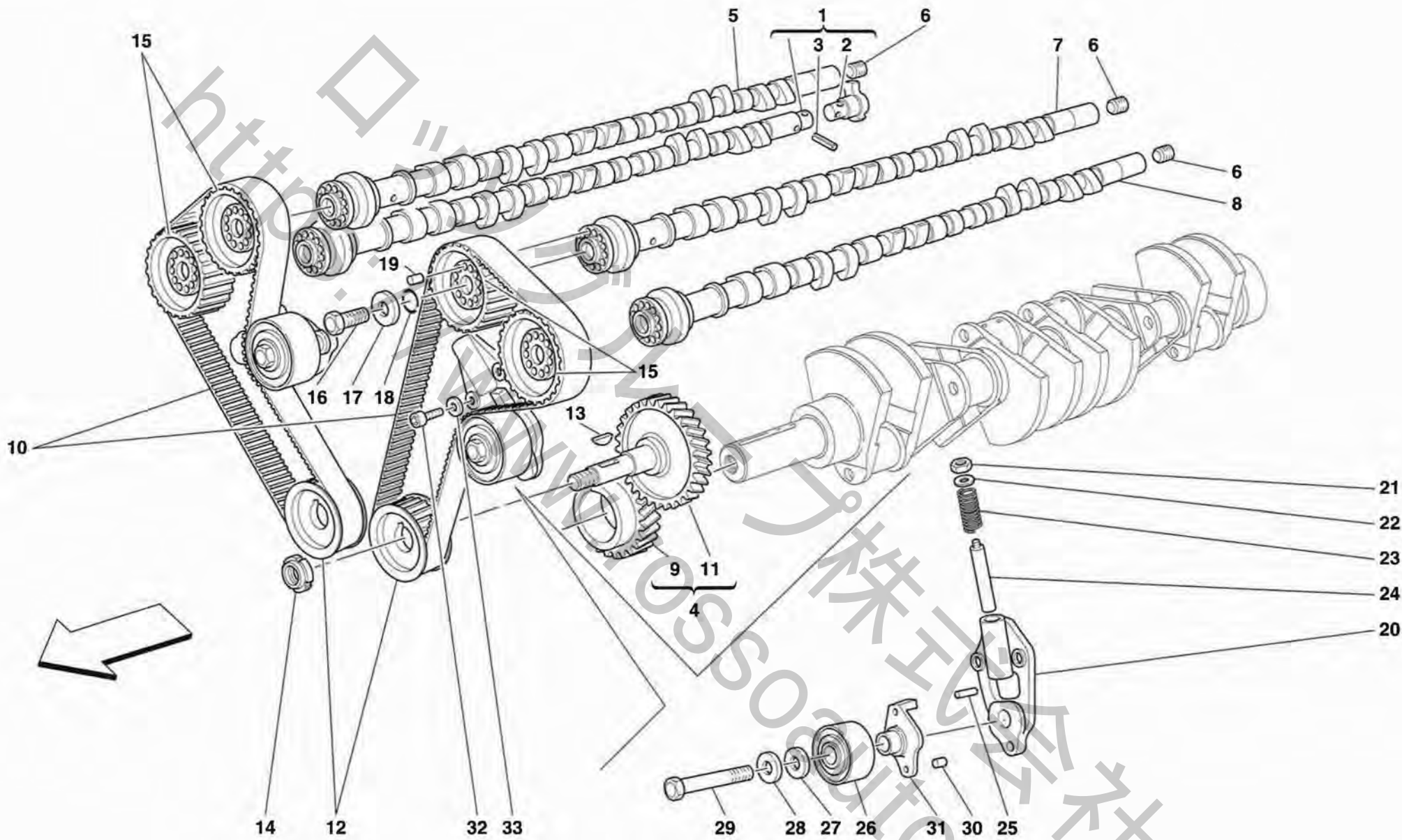
**456MGT/GTA**

*TESTA CILINDRI SINISTRA*  
*L.H. CYLINDER HEAD*

**TAV. 5**

DATA: OTTOBRE '98

Rif	Dis.N° Part.N°	Q.ty	Denominazione	Description	Rif	Dis.N° Part.N°	Q.ty	Denominazione	Description
-	178849	1	TESTA CILINDRI SX. COMPL.	COMPLETE L.H. CYLINDERS HEAD	21	13525770	2	INSERTO FILETTATO	THREADED INSERT
1	178794	1	TESTA SX.	L.H. HEAD	22	16043124	1	VITE	SCREW
			-Non a ricambio-	-Not as spare part-	23	127496	1	ROSETTA	WASHER
			-Con la testa cilindri completa-	-With complete cylinders head-	24	13525870	1	INSERTO FILETTATO	THREADED INSERT
2	149864	1	CAPPELLO ANT. DX.	RIGHT FRONT CAP	25	102725	28	GRANO	DOWEL
			-Non a ricambio-	-Not as spare part-	26	102725	2	GRANO	DOWEL
			-Con la testa cilindri completa-	-With complete cylinders head-	27	156834	16	VITE	SCREW
3	149862	1	CAPPELLO ANT. SX.	LEFT FRONT CAP	28	12601274	18	ROSETTA	WASHER
			-Non a ricambio-	-Not as spare part-	29	156835	2	VITE	SCREW
			-Con la testa cilindri completa-	-With complete cylinders head-	30	14326150	2	TAPPO	PLUG
4	149829	1	CAPPELLO POST. DX.	RIGHT REAR CAP	31	13524670	1	INSERTO FILETTATO	THREADED INSERT
			-Non a ricambio-	-Not as spare part-	32	11500224	12	PRIGIONIERO	STUD
			-Con la testa cilindri completa-	-With complete cylinders head-	33	157910	1	STAFFA	BRACKET
5	149844	1	CAPPELLO POST. SX.	LEFT REAR CAP	34	140753	1	GUARNIZIONE COPERCHIO	COVER GASKET
			-Non a ricambio-	-Not as spare part-	35	154647	1	CONDOTTO SCARICO OLIO	OIL EXHAUST DUCTING
			-Con la testa cilindri completa-	-With complete cylinders head-	36	142599	2	GUARNIZIONE O.R.	O.R. GASKET
6	152505	10	CAPPELLO INTERMEDIO	INTERMEDIATE CAP	37	12601179	2	ROSETTA	WASHER
			-Non a ricambio-	-Not as spare part-	38	14304224	2	VITE	SCREW
			-Con la testa cilindri completa-	-With complete cylinders head-	39	151687	1	SUPPORTO ANTERIORE CAVO	FRONT SUPPORT FOR
7	13541424	28	PRIGIONIERO	STUD				ACCELERATORE	ACCELERATOR CABLE
8	11197774	28	ROSETTA	WASHER	40	14305224	1	VITE	SCREW
9	15896214	28	DADO	NUT	41	12604274	1	ROSETTA	WASHER
10	151676	1	COPERCHIO TESTA CILINDRI SX.	L.H. CYLINDERS HEAD COVER	42	177396	1	SUPPORTO POST. CAVO	REAR SUPPORT FOR
			-Non a ricambio-	-Not as spare part-				ACCELERATORE	ACCELERATOR CABLE
			-Con la testa cilindri completa-	-With complete cylinders head-	43	14304324	1	VITE	SCREW
11	13525470	1	INSERTO FILETTATO	THREADED INSERT	44	12604174	1	ROSETTA	WASHER
12	154525	1	RACCORDO	UNION	45	127635	4	TAPPO FILETTATO	THREADED PLUG
13	13541124	12	PRIGIONIERO	STUD	46	10902024	1	VITE	SCREW
14	13525170	2	INSERTO FILETTATO	THREADED INSERT	47	127494	1	ROSETTA	WASHER
15	13516824	12	PRIGIONIERO	STUD	48	177579	1	VITE	SCREW
16	148022	1	COPERCHIETTO ANTERIORE	FRONT COVER	49	12601274	1	ROSETTA	WASHER
17	163987	1	GUARNIZIONE	GASKET	50	149707	2	DISTANZIALE	SPACER
18	117275	1	GUARNIZIONE O.R.	O.R. GASKET	51	177576	2	ANELLO PASSAFILO	CABLE GROMMET
19	148023	2	COPERCHIETTO POSTERIORE	REAR SMALL COVER	52	12643724	1	ROSETTA	WASHER
20	117275	2	GUARNIZIONE O.R.	O.R. GASKET					



**456MGT/GTA**

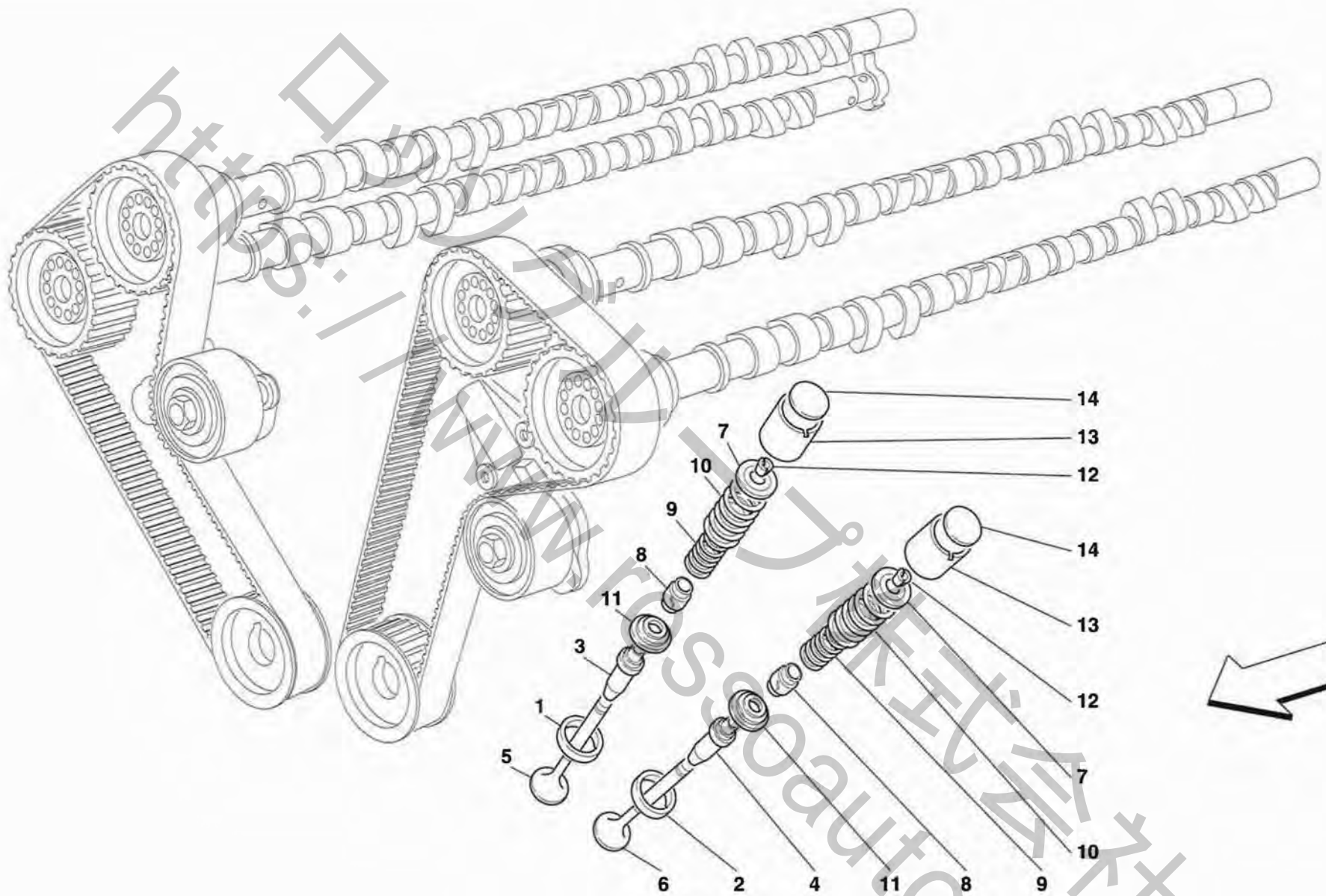
*DISTRIBUZIONE - COMANDI*  
*TIMING - CONTROLS*

**TAV. 6**

DATA: OTTOBRE '98



Rif	Dis.N° Part.N°	Q.ty	Denominazione	Description	Rif	Dis.N° Part.N°	Q.ty	Denominazione	Description
1	171451	1	ALBERO DISTRIBUZIONE SCARICO DX. COMPL.	COMPLETE R.H. EXHAUST CAM SHAFT	15	159382	4	PULEGGIA CONDOTTA	DRIVEN PULLEY
2	171450	1	INNESTO SULL'ALBERO DISTRIBUZIONE	COUPLING ON THE CAM SHAFT	16	146540	4	VITE	SCREW
3	149859	4	SPINA CILINDRICA	DOWEL BOLT	17	114802	4	RONDELLA	WASHER
4	70000876	1	SERIE COMPLETA INGRANAGGI	PINION KIT GEAR	18	114808	4	GUARNIZIONE O.R.	O.R. GASKET
5	155147	1	ALBERO DISTRIBUZIONE ASP. DX. COMPL.	COMPLETE R.H. INDUCTION DISTRIBUTION SHAFT	19	114803	4	GRANO CENTRAGGIO	CENTERING DOWEL
6	10269550	3	TAPPO FILETTATO	THREADED PLUG	20	149346	2	CORPO TENDICINGHIA	BELT TIGHTENER BODY
7	178280	1	ALBERO DISTRIBUZIONE ASP. SX. COMPL.	COMPLETE L.H. INDUCTION DISTRIBUTION SHAFT	21	102948	2	DADO	NUT
8	178281	1	ALBERO DISTRIBUZIONE SCARICO SX. COMPL.	COMPLETE L.H. EXHAUST CAM SHAFT	22	121558	2	ROSETTA	WASHER
9	168702	1	INGRANAGGIO CONDUTTORE	DRIVING GEAR	23	121249	2	MOLLA PER TENDICINGHIA	SPRING FOR BELT STRETCHER
10	148515	2	CINGHIA COMANDO DISTRIBUZIONE	TIMING CONTROL BELT	24	121047	2	PERNO	PIN
11	168701	2	INGRANAGGIO CONDOTTO	DRIVEN GEAR	25	13933570	2	SPINA	PIN
12	149928	2	INGRANAGGIO DISTRIBUZIONE	TIMING GEAR	26	171057	2	CUSCINETTO A SFERE	BALL BEARING
13	10206320	2	LINGUETTA A DISCO	DISC KEY	27	111460	2	DISTANZIALE	SPACER
14	104919	2	GHIERA	RING NUT	28	102824	2	RONDELLA	WASHER
					29	149461	2	VITE	SCREW
					30	125717	2	GRANO CENTRAGGIO	CENTERING DOWEL
					31	171060	2	PIASTRA	PLATE
					32	14306424	4	VITE	SCREW
					33	11193874	4	ROSETTA	WASHER



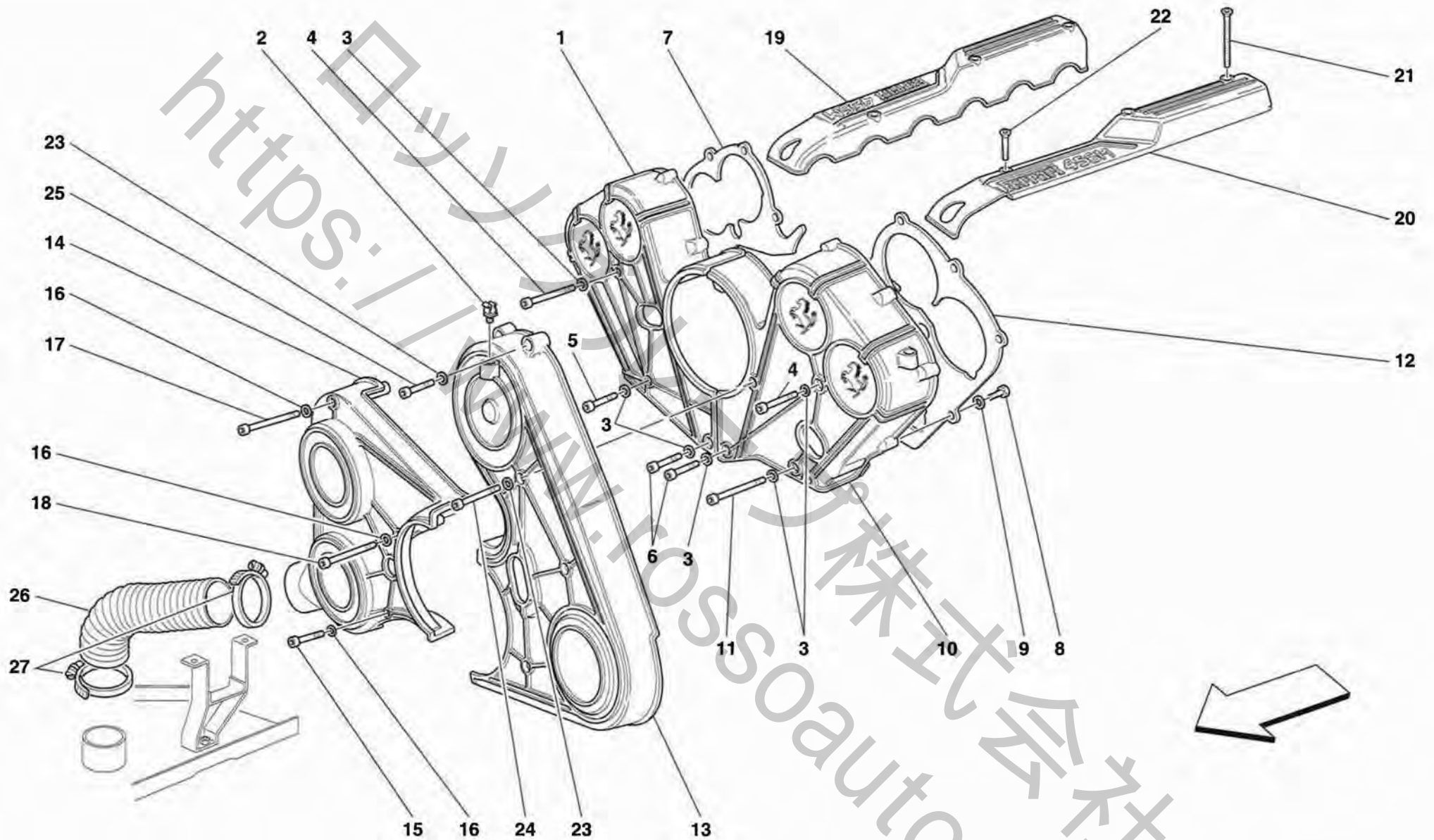
**456MGT/GTA**

*DISTRIBUZIONE - VALVOLE*  
*TIMING - VALVES*

**TAV. 7**

DATA: OTTOBRE '98

Rif	Dis.N° Part.N°	Q.ty	Denominazione	Description	Rif	Dis.N° Part.N°	Q.ty	Denominazione	Description
1	140699	24	SEDE PER VALVOLA DI ASPIRAZIONE	INTAKE VALVE SEAT	-	117577	48	IDEM SPESSORE mm. 3,65	DITTO, THICKNESS 3.65 mm
2	140702	24	SEDE PER VALVOLA DI SCARICO	EXHAUST VALVE SEAT	-	117578	48	IDEM SPESSORE mm. 3,70	DITTO, THICKNESS 3.70 mm
3	178588	24	GUIDA VALVOLA ASPIRAZIONE	SUCTION VALVE GUIDE	-	153731	48	IDEM SPESSORE mm. 3,725	DITTO, THICKNESS 3.725 mm
-	178589	24	GUIDA VALVOLA ASPIRAZIONE MAGGIORATA	INTAKE VALVE GUIDE OVERSIZED	-	117579	48	IDEM SPESSORE mm. 3,75	DITTO, THICKNESS 3.75 mm
4	178590	24	GUIDA VALVOLA DI SCARICO	EXHAUST VALVE GUIDE	-	153732	48	IDEM SPESSORE mm. 3,775	DITTO, THICKNESS 3.775 mm
-	178591	24	GUIDA VALVOLA DI SCARICO MAGGIORATA	EXHAUST VALVE GUIDE OVERSIZE	-	117580	48	IDEM SPESSORE mm. 3,80	DITTO, THICKNESS 3.80 mm
5	140609	24	VALVOLA DI ASPIRAZIONE (EATON)	INTAKE VALVE (EATON)	-	153733	48	IDEM SPESSORE mm. 3,825	DITTO, THICKNESS 3.825 mm
-	155726	24	VALVOLA DI ASPIRAZIONE (INTERVALVES)	INTAKE VALVE (INTERVALVES)	-	117581	48	IDEM SPESSORE mm. 3,85	DITTO, THICKNESS 3.85 mm
6	140597	24	VALVOLA DI SCARICO (EATON)	EXHAUST VALVE (EATON)	-	153734	48	IDEM SPESSORE mm. 3,875	DITTO, THICKNESS 3.875 mm
-	155727	24	VALVOLA DI SCARICO (INTERVALVES)	EXHAUST VALVE (INTERVALVES)	-	117582	48	IDEM SPESSORE mm. 3,90	DITTO, THICKNESS 3.90 mm
7	117567	48	SCODELLINO	CUP	-	153735	48	IDEM SPESSORE mm. 3,925	DITTO, THICKNESS 3.925 mm
8	141565	48	PARAOILIO PER GUIDA VALVOLE	OIL RING FOR VALVE GUIDE	-	117583	48	IDEM SPESSORE mm. 3,95	DITTO, THICKNESS 3.95 mm
9	156648	48	MOLLA INTERNA	INNER SPRING	-	153736	48	IDEM SPESSORE mm. 3,975	DITTO, THICKNESS 3.975 mm
10	160049	48	MOLLA ESTERNA	OUTER SPRING	-	117584	48	IDEM SPESSORE mm. 4,00	DITTO, THICKNESS 4.00 mm
11	140604	48	SCODELLINO	CUP	-	153737	48	IDEM SPESSORE mm. 4,025	DITTO, THICKNESS 4.025 mm
12	117283	96	SEMICONO PER SCODELLINO MOLLA VALVOLA	COTTER FOR VALVE SPRING CUP	-	117585	48	IDEM SPESSORE mm. 4,05	DITTO, THICKNESS 4.05 mm
13	117562	48	PUNTERIA COMANDO VALVOLA	TAPPET FOR VALVE CONTROL	-	153738	48	IDEM SPESSORE mm. 4,075	DITTO, THICKNESS 4.075 mm
14	117569	48	PIATTELLO REGISTRAZIONE VALVOLE SPESSORE mm. 3,25	SHIM FOR VALVE ADJUSTMENT THICKNESS 3,25 mm.	-	117586	48	IDEM SPESSORE mm. 4,10	DITTO, THICKNESS 4.10 mm
-	117570	48	IDEM SPESSORE mm. 3,30	DITTO, THICKNESS 3.30 mm	-	153739	48	IDEM SPESSORE mm. 4,125	DITTO, THICKNESS 4.125 mm
-	117571	48	IDEM SPESSORE mm. 3,35	DITTO, THICKNESS 3.35 mm	-	117587	48	IDEM SPESSORE mm. 4,15	DITTO, THICKNESS 4.15 mm
-	117572	48	IDEM SPESSORE mm. 3,40	DITTO, THICKNESS 3.40 mm	-	153740	48	IDEM SPESSORE mm. 4,175	DITTO, THICKNESS 4.175 mm
-	117573	48	IDEM SPESSORE mm. 3,45	DITTO, THICKNESS 3.45 mm	-	117588	48	IDEM SPESSORE mm. 4,20	DITTO, THICKNESS 4.20 mm
-	117574	48	IDEM SPESSORE mm. 3,50	DITTO, THICKNESS 3.50 mm	-	153741	48	IDEM SPESSORE mm. 4,225	DITTO, THICKNESS 4.225 mm
-	117575	48	IDEM SPESSORE mm. 3,55	DITTO, THICKNESS 3.55 mm	-	117589	48	IDEM SPESSORE mm. 4,25	DITTO, THICKNESS 4.25 mm
-	117576	48	IDEM SPESSORE mm. 3,60	DITTO, THICKNESS 3.60 mm	-	153742	48	IDEM SPESSORE mm. 4,275	DITTO, THICKNESS 4.275 mm
					-	117590	48	IDEM SPESSORE mm. 4,30	DITTO, THICKNESS 4.30 mm
					-	117591	48	IDEM SPESSORE mm. 4,35	DITTO, THICKNESS 4.35 mm
					-	117592	48	IDEM SPESSORE mm. 4,40	DITTO, THICKNESS 4.40 mm
					-	117593	48	IDEM SPESSORE mm. 4,45	DITTO, THICKNESS 4.45 mm
					-	117594	48	IDEM SPESSORE mm. 4,50	DITTO, THICKNESS 4.50 mm
					-	117595	48	IDEM SPESSORE mm. 4,55	DITTO, THICKNESS 4.55 mm
					-	117596	48	IDEM SPESSORE mm. 4,60	DITTO, THICKNESS 4.60 mm



**456MGT/GTA**

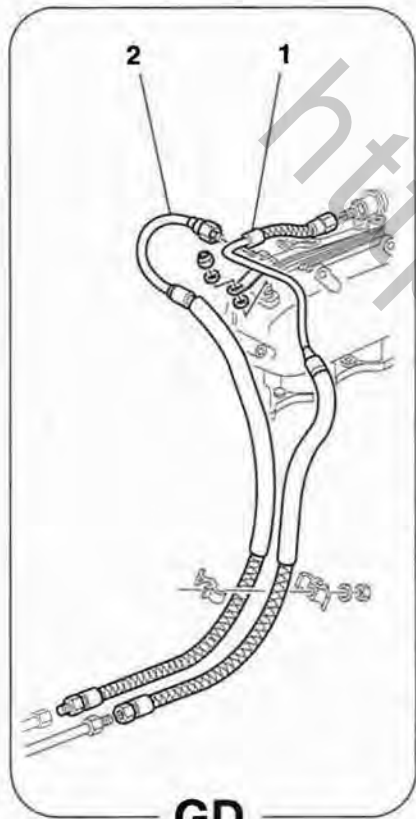
*COPERCHI MOTORE*  
*ENGINE COVERS*

**TAV. 8**

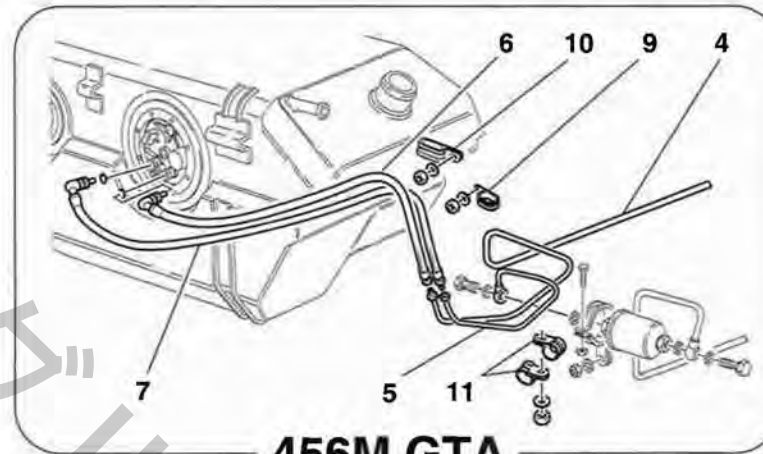
DATA: OTTOBRE '98



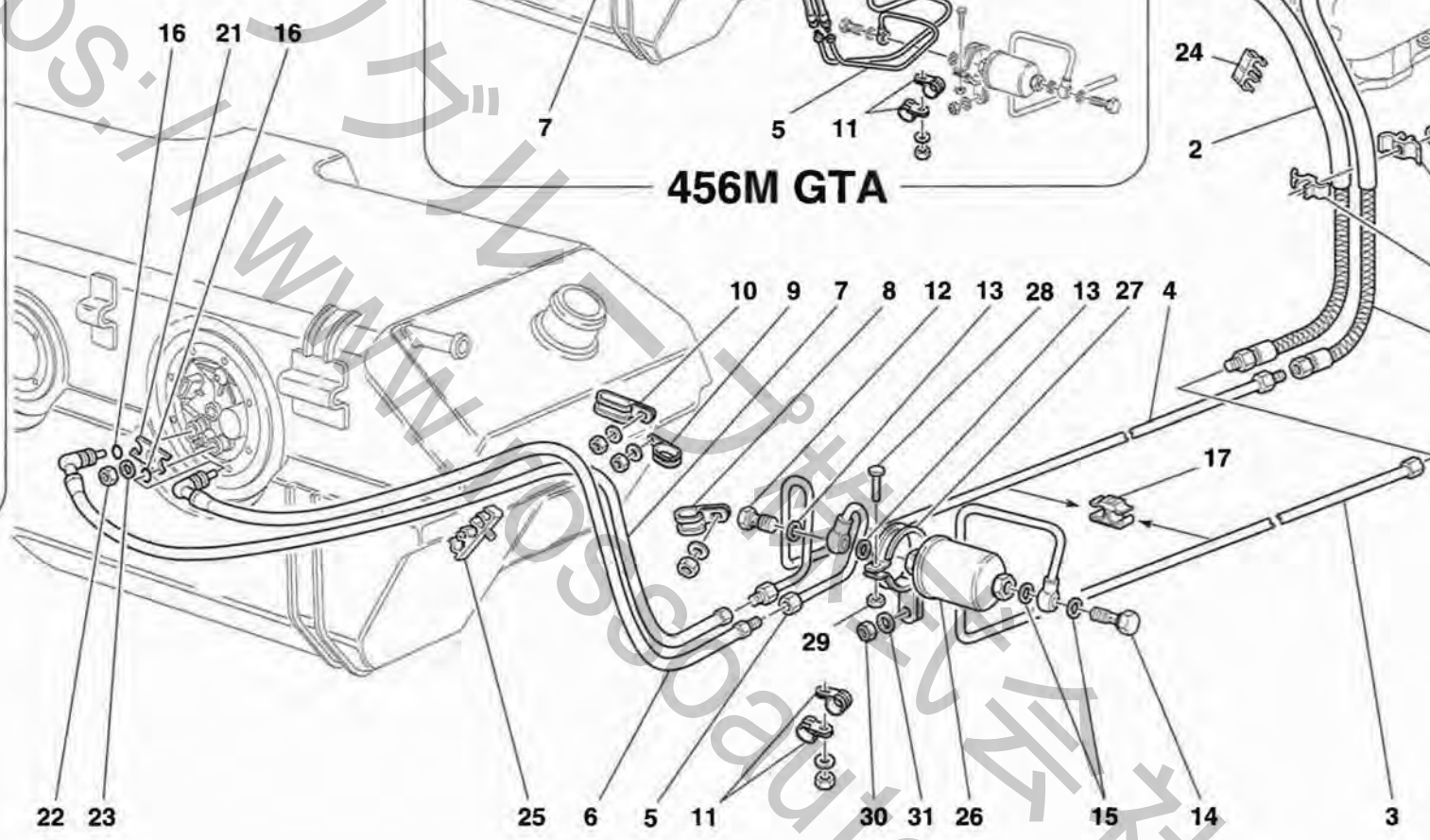
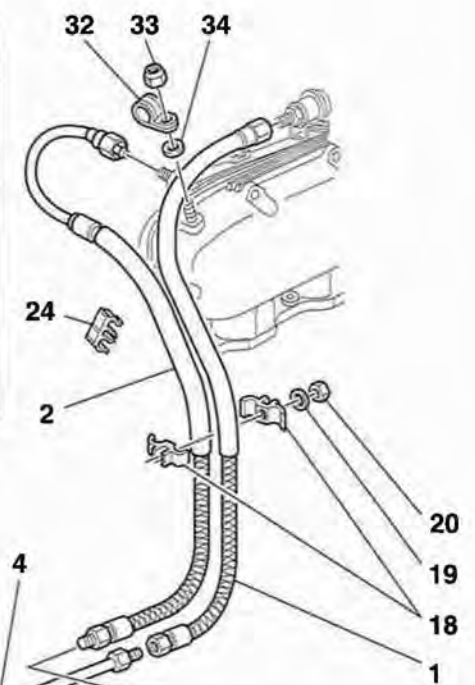
Rif	Dis.N° Part.N°	Q.ty	Denominazione	Description	Rif	Dis.N° Part.N°	Q.ty	Denominazione	Description
1	155422	1	CARTER DX.	R.H. COVER	14	166919	1	CARTER PROTEZIONE CINGHIE	GUARD FOR BELT PROTECTION
2	14573987	2	MOLLETTA	CLIP	15	156830	1	VITE	SCREW
3	12604274	6	ROSETTA	WASHER	16	12604274	3	ROSETTA	WASHER
4	156829	2	VITE	SCREW	17	156832	1	VITE	SCREW
5	156828	1	VITE	SCREW	18	156829	1	VITE	SCREW
6	156830	2	VITE	SCREW	19	178241	1	PROTEZIONE DX.	R.H. PROTECTION
7	155819	1	PROTEZIONE DX.	R.H. PROTECTION	20	178242	1	PROTEZIONE SX.	L.H. PROTECTION
8	10977724	11	VITE	SCREW	21	13302577	4	VITE	SCREW
9	12637824	11	ROSETTA	WASHER	22	13301977	2	VITE	SCREW
10	155479	1	CARTER SX.	L.H. COVER	23	12604274	5	ROSETTA	WASHER
11	156839	1	VITE	SCREW	24	156831	3	VITE	SCREW
12	155820	1	PROTEZIONE SX.	L.H. PROTECTION	25	156830	2	VITE	SCREW
13	155576	1	CARTER PROTEZIONE CINGHIE POMPA ACQUA	GUARD FOR BELT PROTECTION	26	158233	1	TUBO CONVOGLIATORE	CONVEYOR TUBE
					27	13000890	2	COLLARE A VITE	SCREW COLLAR



**GD**



**456M GTA**



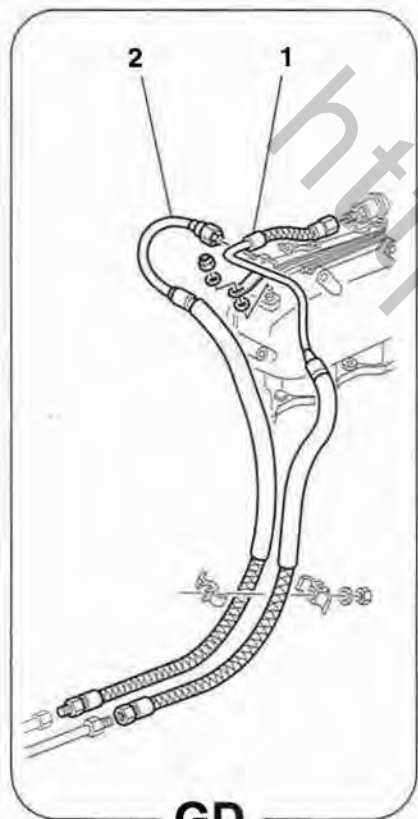
**456MGT/GTA**

**IMPIANTO ALIMENTAZIONE CARBURANTE**  
**FUEL SUPPLY SYSTEM**

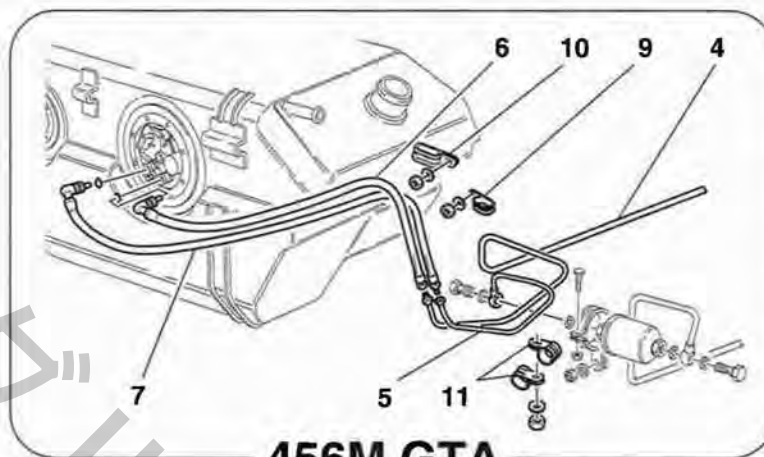
**TAV. 9**

DATA: OTTOBRE '98

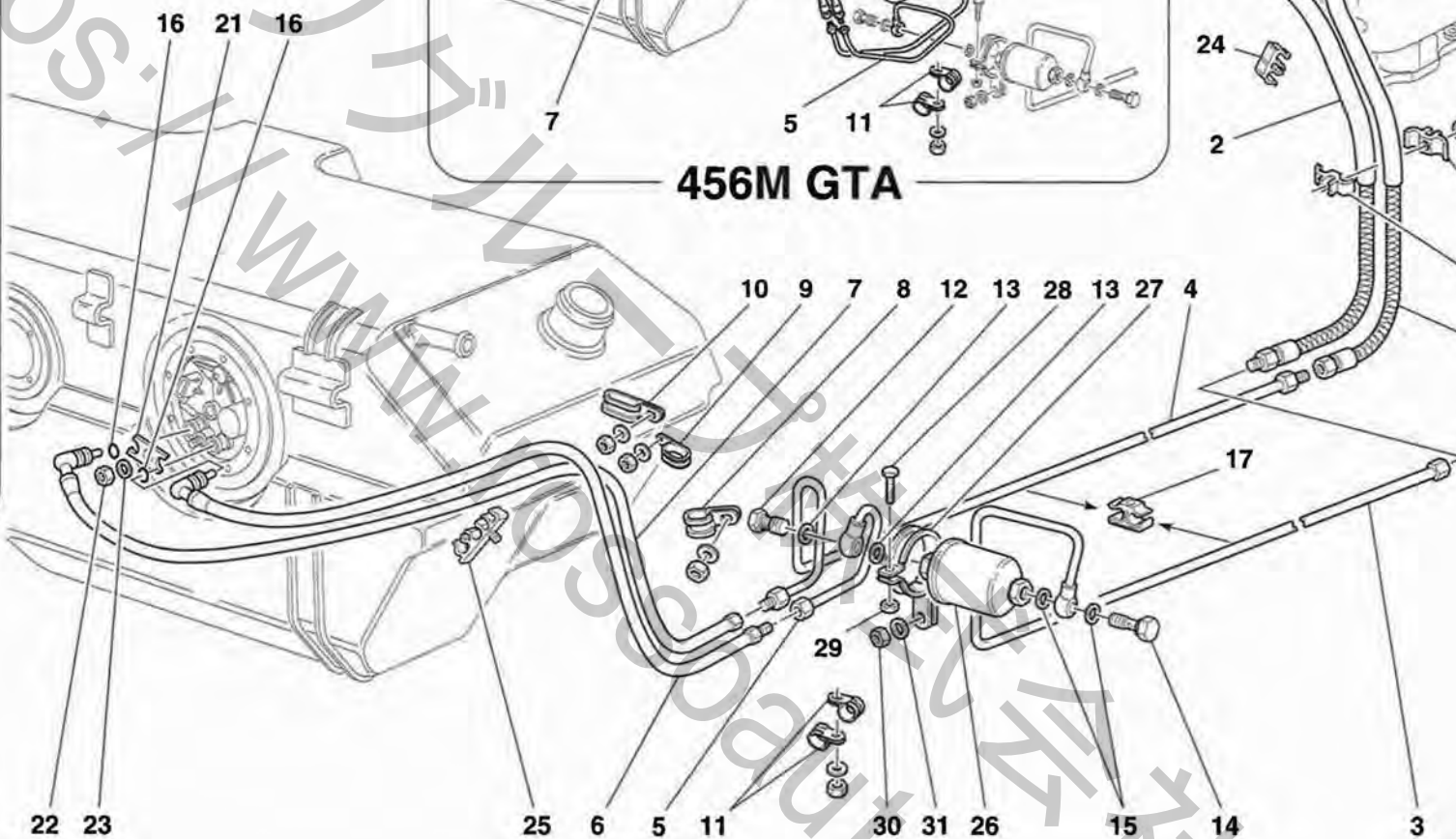
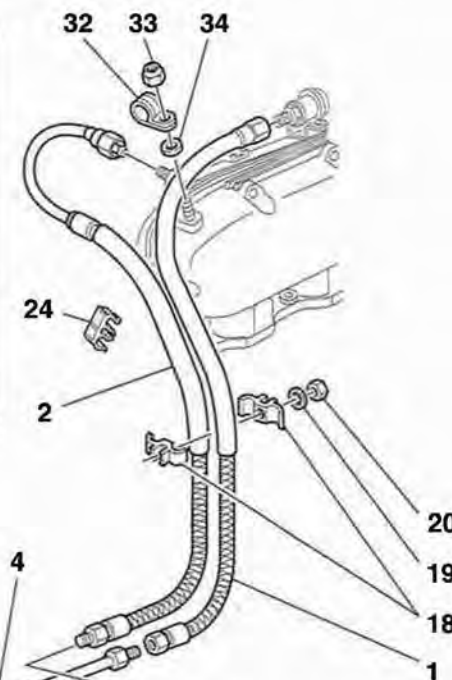
Rif	Dis.N° Part.N°	Q.ty	Denominazione	Description	Rif	Dis.N° Part.N°	Q.ty	Denominazione	Description
1	177777	1	TUBO MANDATA DX. -No per GD- -Non piu' a ricambio- -Sostituito dal 178520-	R.H. DELIVERY PIPE -Not for GD- -Not as spare part now- -Replaced by 178520-	5	157584	1	TUBO RIGIDO MANDATA POST. DX. -No per 456M GTA-	R.H. REAR DELIVERY RIGID PIPE -Not for 456M GTA-
-	178520	1	TUBO MANDATA DX. -No per GD-	R.H. DELIVERY PIPE -Not for GD-	-	169634	1	TUBO RIGIDO MANDATA POST. DX. -Vale per 456M GTA-	R.H. REAR DELIVERY RIGID PIPE -Valid for 456M GTA-
-	178955	1	TUBO MANDATA DX. -Vale per GD-	R.H. DELIVERY PIPE -Valid for GD-	-	156364	1	TUBO RIGIDO MANDATA POST. SX. -No per 456M GTA-	L.H. REAR RIGID DELIVERY PIPE -Not for 456M GTA-
-	175626	1	TUBO MANDATA SX. -No per GD- -Non piu' a ricambio- -Sostituito dal 179011-	L.H. DELIVERY PIPE -Not for GD- -Not as spare part now- -Replaced by 179011-	-	169626	1	TUBO RIGIDO MANDATA POST. SX. -Vale per 456M GTA-	L.H. REAR RIGID DELIVERY PIPE -Valid for 456M GTA-
-	179011	1	TUBO MANDATA SX. -No per GD-	L.H. DELIVERY PIPE -Not for GD-	6	174815	1	TUBO MANDATA POST. DX. -No per 456M GTA-	R.H. REAR DELIVERY PIPE -Not for 456M GTA-
-	178956	1	TUBO MANDATA SX. -Vale per GD-	L.H. DELIVERY PIPE -Valid for GD-	-	175150	1	TUBO MANDATA POST. DX. -Vale per 456M GTA-	R.H. REAR DELIVERY PIPE -Valid for 456M GTA-
2	176404	1	TUBO RITORNO DX. -No per GD- -Non piu' a ricambio- -Sostituito dal 179263-	R.H. RETURN PIPE -Not for GD- -Not as spare part now- -Replaced by 179263-	-	174816	1	TUBO MANDATA POST. SX. -No per 456M GTA-	L.H. REAR DELIVERY PIPE -Not for 456M GTA-
-	179263	1	TUBO RITORNO DX. -No per GD-	R.H. RETURN PIPE -Not for GD-	-	175151	1	TUBO MANDATA POST. SX. -Vale per 456M GTA-	L.H. REAR DELIVERY PIPE -Valid for 456M GTA-
-	179265	1	TUBO RITORNO DX. -Vale per GD-	R.H. RETURN PIPE -Valid for GD-	7	174813	1	TUBO RITORNO POST. DX. -No per 456M GTA-	R.H. REAR RETURN PIPE -Not for 456M GTA-
-	176405	1	TUBO RITORNO SX. -No per GD- -Non piu' a ricambio- -Sostituito dal 179264-	L.H. RETURN PIPE -Not for GD- -Not as spare part now- -Replaced by 179264-	-	175152	1	TUBO RITORNO POST. DX. -Vale per 456M GTA-	R.H. REAR RETURN PIPE -Valid for 456M GTA-
-	179264	1	TUBO RITORNO SX. -No per GD-	L.H. RETURN PIPE -Not for GD-	-	174814	1	TUBO RITORNO POST. SX. -No per 456M GTA-	L.H. REAR RETURN PIPE -Not for 456M GTA-
-	179263	1	TUBO RITORNO SX. -Vale per GD-	L.H. RETURN PIPE -Valid for GD-	-	175153	1	TUBO RITORNO POST. SX. -Vale per 456M GTA-	L.H. REAR RETURN PIPE -Valid for 456M GTA-
3	155253	1	TUBO RIGIDO MANDATA DX.	R.H. DELIVERY RIGID PIPE	8	10441790	4	STAFFETTA	BRACKET -No per 456M GTA-
-	150017	1	TUBO RIGIDO MANDATA SX.	L.H. DELIVERY RIGID PIPE	9	139512	1	STAFFETTA	BRACKET -Lato Dx.- -R.h. side-
4	156362	1	TUBO RIGIDO RITORNO DX. -No per 456M GTA-	R.H. RETURN RIGID PIPE -Not for 456M GTA-	-	10441790	1	STAFFETTA	BRACKET -Lato Sx.- -L.h. side-
-	169633	1	TUBO RIGIDO RITORNO DX. -Vale per 456M GTA-	R.H. RETURN RIGID PIPE -Valid for 456M GTA-	10	61712500	1	STAFFETTA	BRACKET -Lato Dx.- -R.h. side-
-	157585	1	TUBO RIGIDO RITORNO SX. -No per 456M GTA-	L.H. RETURN RIGID PIPE -Not for 456M GTA-	-	10441790	1	STAFFETTA	BRACKET -Lato Sx.- -L.h. side-
-	169627	1	TUBO RIGIDO RITORNO SX. -Vale per 456M GTA-	L.H. RETURN RIGID PIPE -Valid for 456M GTA-	11	10441190	4	STAFFETTA	BRACKET
					12	10185111	2	RACCORDO	UNION
					13	10280060	4	GUARNIZIONE	GASKET
					14	111644	2	RACCORDO	UNION
					15	113910	4	GUARNIZIONE	GASKET
					16	127816	4	GUARNIZIONE O.R.	O.R. GASKET
					17	141699	12	MOLLETTA	CLIP



**GD**



**456M GTA**



**456MGT/GTA**

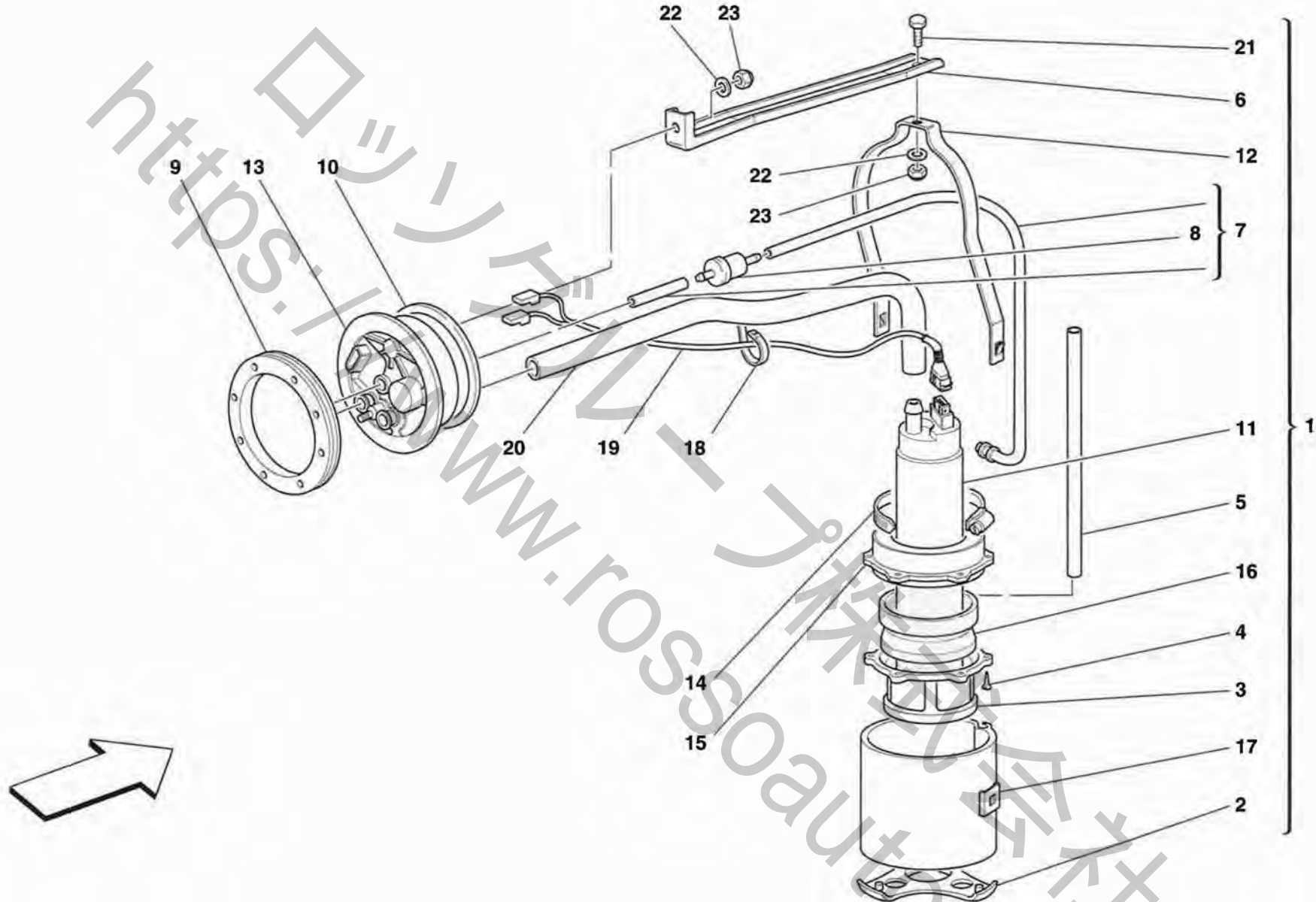
**IMPIANTO ALIMENTAZIONE CARBURANTE**  
**FUEL SUPPLY SYSTEM**

**TAV. 9**

DATA: OTTOBRE '98



<i>Rif</i>	<i>Dis.N° Part.N°</i>	<i>Q.ty</i>	<i>Denominazione</i>	<i>Description</i>	<i>Rif</i>	<i>Dis.N° Part.N°</i>	<i>Q.ty</i>	<i>Denominazione</i>	<i>Description</i>
18	62658800	2	MOLLETTA	CLIP	27	152885	2	STAFFETTA	BRACKET
19	14499324	1	ROSETTA	WASHER	28	10902324	2	VITE	SCREW
20	102948	1	DADO	NUT	29	102741	2	DADO	NUT
21	129316	2	PIASTRINA	PLATE	30	101139	2	DADO	NUT
22	14084211	2	DADO	NUT	31	12646724	2	ROSETTA	WASHER
23	12601274	2	ROSETTA	WASHER	32	10441790	2	STAFFETTA	BRACKET
24	140727	4	MOLLETTA	CLIP	33	102741	2	DADO	NUT
25	176109	2	MOLLETTA	CLIP	34	14499324	2	ROSETTA	WASHER
26	152212	2	FILTRO BENZINA	FUEL FILTER					



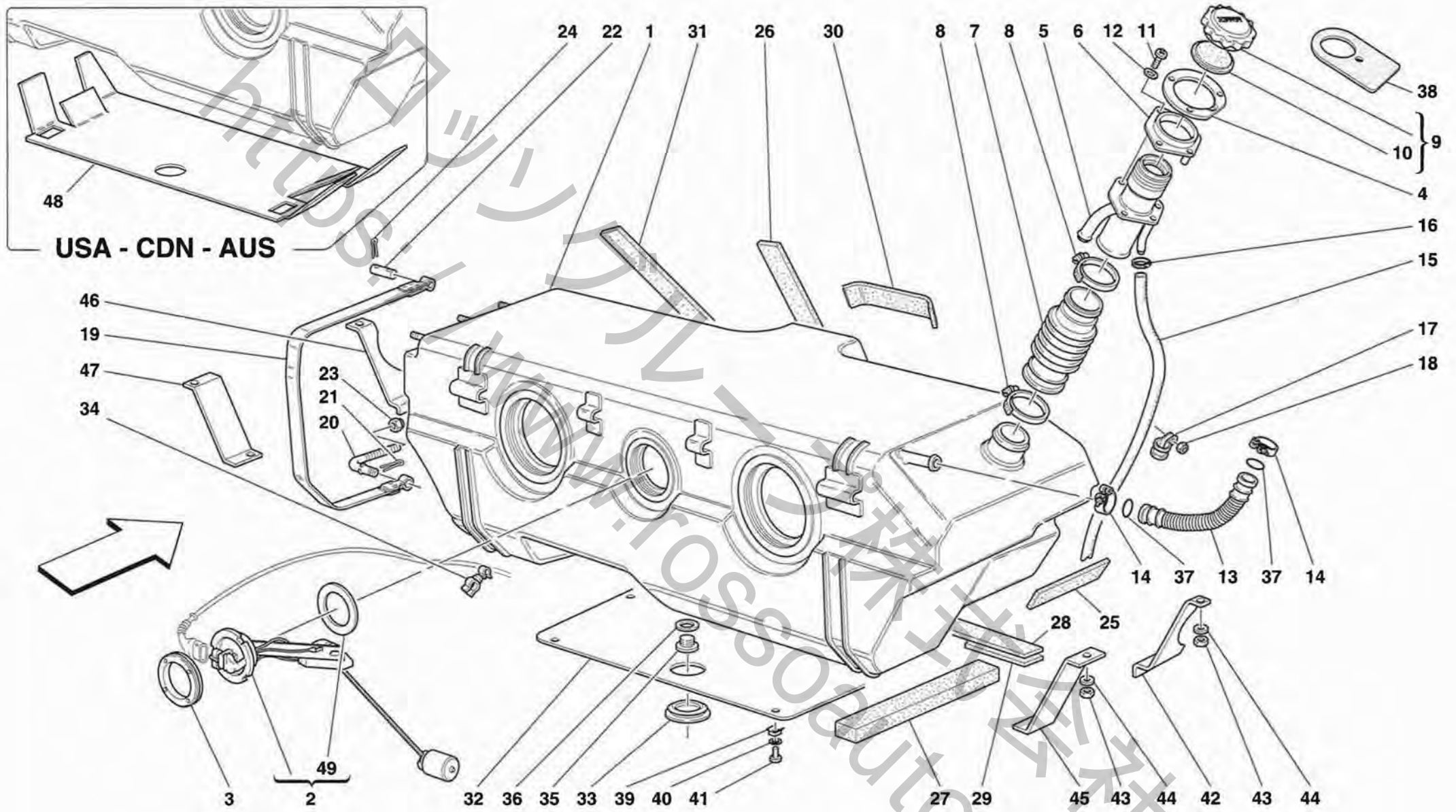
**456MGT/GTA**

**POMPA CARBURANTE**  
**FUEL PUMP**

**TAV. 10**

DATA: OTTOBRE '98

Rif	Dis.N° Part.N°	Q.ty	Denominazione	Description	Rif	Dis.N° Part.N°	Q.ty	Denominazione	Description
1	175332	2	POMPA BENZINA COMPLETA	COMPLETE FUEL PUMP	12	153184	2	MOLLA	SPRING
2	126807	2	ANTIVIBRANTE	ANTI-VIBRATIONS	13	173890	2	COPERCHIO	COVER
3	126808	2	FILTRO NELLA VASCHETTA	FILTER INSIDE CHAMBER	14	13000890	2	COLLARE A VITE	SCREW COLLAR
4	15671101	12	VITE	SCREW	15	170512	2	COPERCHIO FILTRO BENZINA	FUEL FILTER COVER
5	126827	2	TUBO SFIATO	VENT PIPE	16	170511	2	GUARNIZIONE	GASKET
6	151661	2	STAFFA	BRACKET	17	153189	2	VASCHETTA	PAN
7	175350	2	TUBO DI RIFLUSSO BENZINA COMPLETO	COMPLETE FUEL FLOWING BACK PIPE	18	14560480	2	FASCETTA	CLAMP
8	166540	8	RACCORDO	UNION	19	177354	2	CAVI POMPA BENZINA COMPLETI	FUEL PUMP CABLES ASSY
9	126838	2	GHIERA	RING NUT	20	175331	2	TUBO ALIMENTAZIONE	FEEDING PIPE
10	126835	2	GUARNIZIONE	GASKET	21	10902024	2	VITE	SCREW
11	173891	2	POMPA BENZINA	FUEL PUMP	22	10519424	4	ROSETTA	WASHER
					23	15896214	4	DADO	NUT



USA - CDN - AUS

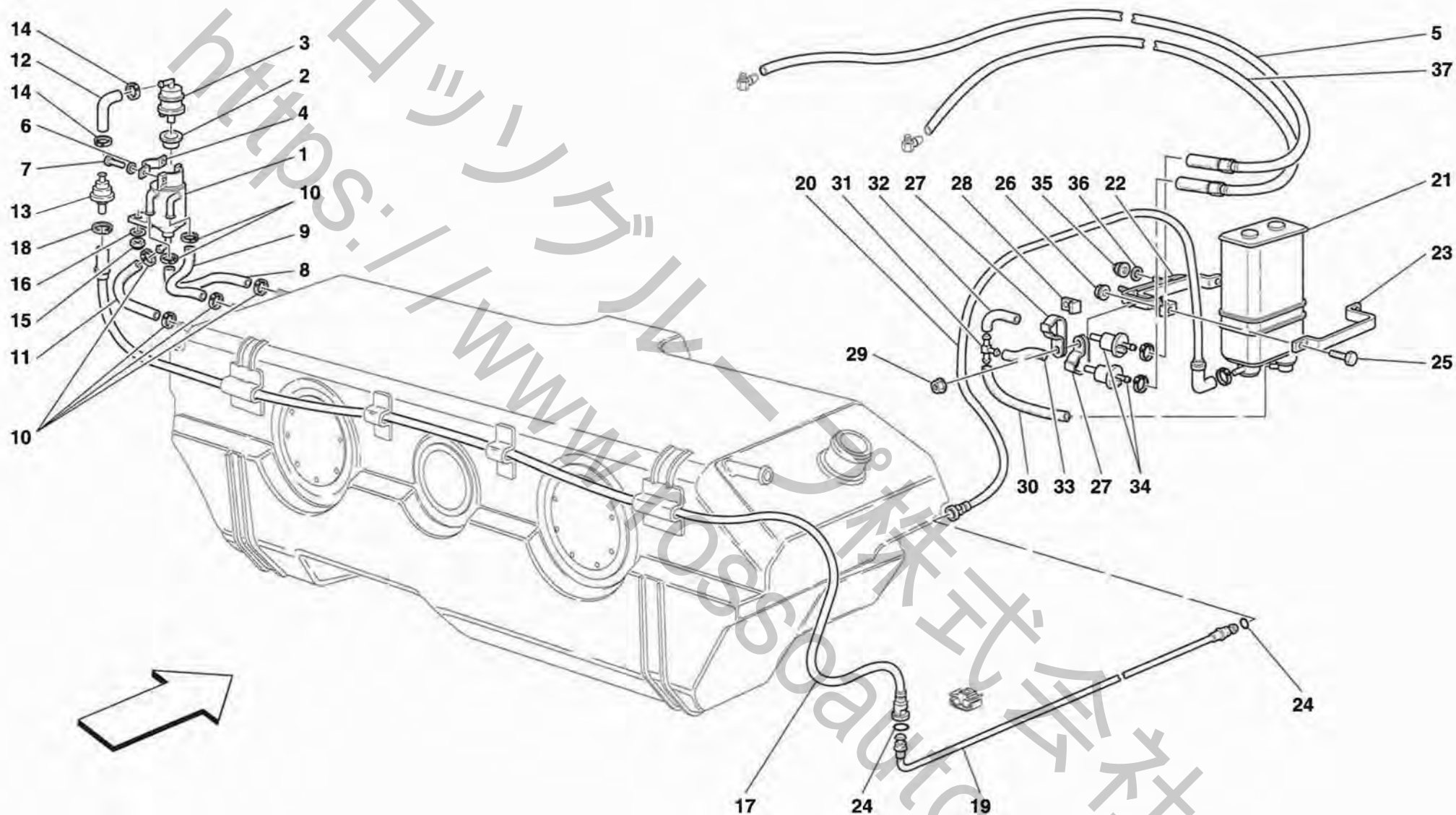
**456MGT/GTA**

SERBATOIO CARBURANTE  
 FUEL TANK

TAV. 11  
 DATA: OTTOBRE '98



Rif	Dis.N° Part.N°	Q.ty	Denominazione	Description	Rif	Dis.N° Part.N°	Q.ty	Denominazione	Description
1	160562	1	SERBATOIO CARBURANTE	FUEL TANK	24	10796440	4	COPIGLIA	SPLIT PIN
2	154556	1	COMANDO INDICATORE LIVELLO CARBURANTE	FUEL LEVEL INDICATOR CONTROL	25	156679	1	SPESSORE IN GOMMA	RUBBER THICKNESS
3	121435	1	GHIERA	RING NUT	26	156680	2	SPESSORE IN GOMMA	RUBBER THICKNESS
4	160777	1	CONTROFLANGIA	COUNTER FLANGE	27	159146	2	SPESSORE IN GOMMA	RUBBER THICKNESS
5	160774	1	BOCCHETTONE	UNION	28	156682	1	SPESSORE IN GOMMA	RUBBER THICKNESS
-	161021	1	BOCCHETTONE -Vale per vetture catalizzate-	UNION -Valid for catalyzed cars-	29	159147	2	SPESSORE IN GOMMA	RUBBER THICKNESS
6	160778	1	GUARNIZIONE	GASKET	30	157411	2	SPESSORE IN GOMMA	RUBBER THICKNESS
7	156196	1	TUBO COLLEGAMENTO BOCCHETTONE SERBATOIO	UNION-TANK CONNECTING PIPE	31	157412	6	SPESSORE IN GOMMA	RUBBER THICKNESS
8	13000790	2	COLLARE A VITE	SCREW COLLAR	32	63939100	1	PARATIA INFERIORE	LOWER SHIELD
9	175708	1	TAPPO COMPLETO	COMPLETE PLUG	33	63965800	1	TAPPO	PLUG
10	175709	1	GUARNIZIONE PER TAPPO	GASKET FOR PLUG	34	155887	8	MOLLETTA DI FISSAGGIO	FIXING CLIP
11	13276470	3	VITE	SCREW	35	148045	1	TAPPO SCARICO	OUTLET PLUG
12	12601274	3	ROSETTA	WASHER	36	123622	1	GUARNIZIONE	GASKET
13	147247	1	TUBO SFIATO DA SERBATOIO A BOCCHETTONE	VENT PIPE FROM TANK TO UNION	37	142106	2	GUARNIZIONE	GASKET
14	164015	2	COLLARE A VITE	SCREW COLLAR	38	62943200	1	PROTEZIONE IN GOMMA	RUBBER PROTECTION
15	174472	1	TUBO SFIATO	VENT PIPE	39	65774200	6	DADO CON GABBIA	NUT WITH CAGE
16	161490	1	COLLARE A VITE	SCREW COLLAR	40	14488670	6	ROSETTA	WASHER
17	10441690	2	STAFFETTA	BRACKET	41	10902124	6	VITE	SCREW
18	102948	2	DADO	NUT	42	64337500	1	RIPARO CALORE ANTERIORE DX.	R.H. FRONT HEAT SHIELD
19	156253	2	NASTRO FISSAGGIO SERBATOIO	FUEL TANK FASTENER	43	169180	8	DADO	NUT
20	127529	2	TIRANTE	TIE ROD	44	12638124	8	ROSETTA	WASHER
21	10796440	2	COPIGLIA	SPLIT PIN	45	64337700	1	RIPARO CALORE POSTERIORE DX.	R.H. REAR HEAT SHIELD
22	103447	2	PERNO	PIN	46	64337600	1	RIPARO CALORE ANTERIORE SX.	L.H. FRONT HEAT SHIELD
23	104030	2	DADO	NUT	47	64337800	1	RIPARO CALORE POSTERIORE SX.	L.H. REAR HEAT SHIELD
					48	65460500	1	PARATIA ISOLANTE SOTTO SERBATOIO	SHIELD FOR TANK PROTECTION
					49	154802	1	-Vale per USA, CDN e AUS- GUARNIZIONE	-Valid for USA, CDN and AUS- GASKET



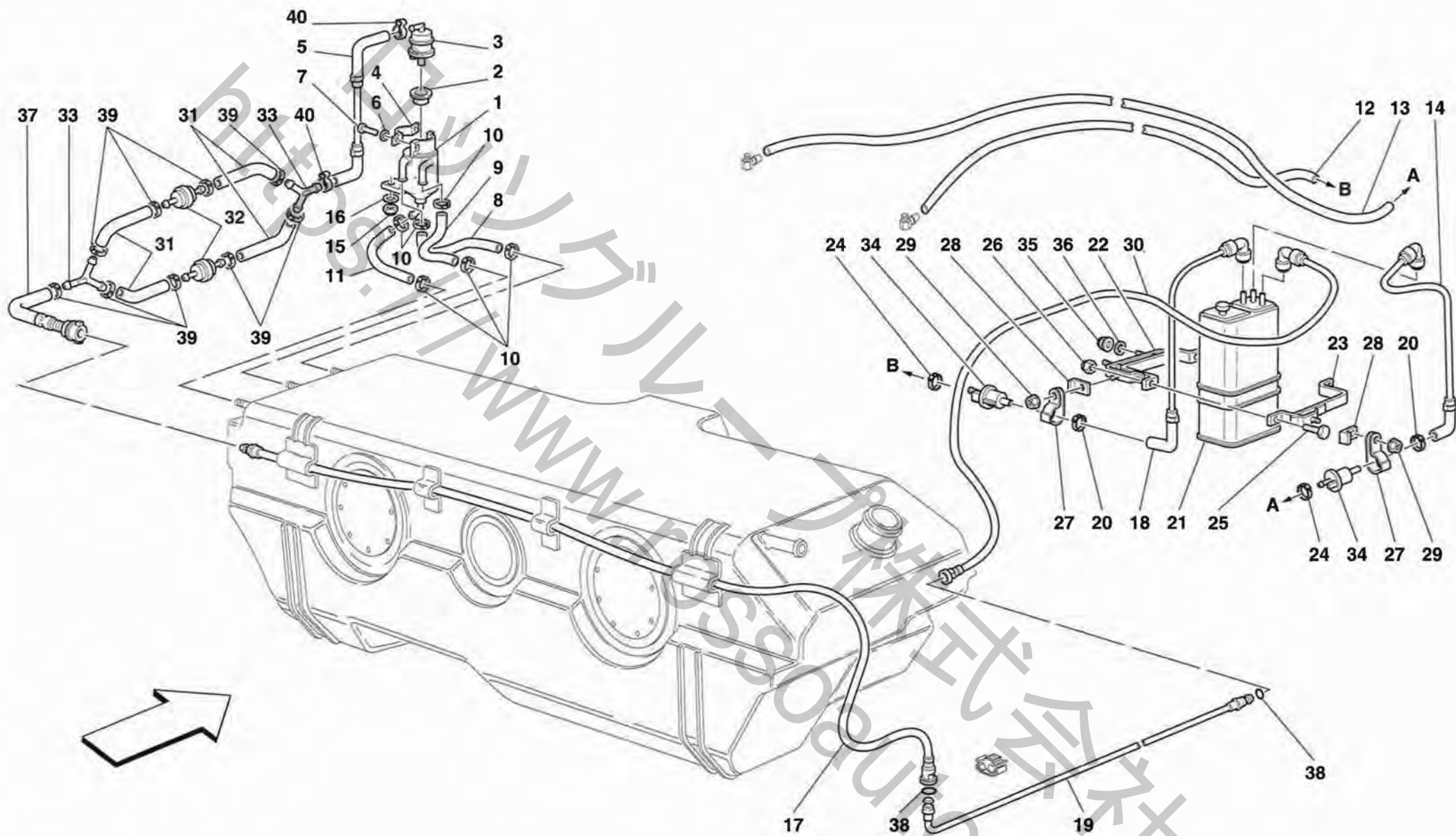
**456MGT/GTA**

*IMPIANTO ANTIEVAPORAZIONE -No per USA, CDN e AUS-*  
*ANTIEVAPORATION DEVICE -Not for USA, CDN and AUS-*

**TAV. 12**

DATA: OTTOBRE '98

Rif	Dis.N° Part.N°	Q.ty	Denominazione	Description	Rif	Dis.N° Part.N°	Q.ty	Denominazione	Description
1	155407	1	SEPARATORE VAPORI	DISAREATOR	20	155765	1	TUBO DA TUBO INTERMEDIO A	PIPE FROM INTERMEDIATE
2	155313	1	ANELLO DI TENUTA	SEAL RING				FILTRO VAPORI	PIPE TO VAPOR FILTER
3	124193	1	VALVOLA ANTIDEFUSSO	ANTI FLOWING BACK VALVE	21	173791	1	FILTRO VAPORI COMBUSTIBILE	CHARCOAL CARBON CANISTER
4	155405	1	STAFFA	BRACKET	22	156452	1	STAFFA FISS. FILTRO A TELAIO	FRAME FASTENING FILTER BRACKET
5	155779	1	TUBO DA VALVOLA A COLLETTORE SX.	PIPE FROM VALVE TO L.H. MANIFOLD	23	154385	1	STAFFA COMPLETA	COMPLETE BRACKET
6	14496324	2	ROSETTA	WASHER	24	133956	4	GUARNIZIONE O.R.	O.R. GASKET
7	13273911	2	VITE	SCREW	25	10902124	2	VITE	SCREW
8	116764	1	TUBO ANT. DA SERBATOIO A SEPARATORE VAPORI	FRONT PIPE FROM FUEL TANK TO DISAERATOR	26	102948	2	DADO	NUT
9	116767	1	TUBO CENTRALE DA SERBATOIO A SEPARATORE VAPORI	CENTRAL PIPE FROM FUEL TANK TO DISAERATOR	27	164437	2	STAFFETTA DI FISSAGGIO	FIXING BRACKET
10	13000190	6	COLLARE A VITE	SCREW COLLAR	28	137716	1	PIASTRINA	PLATE
11	114880	1	TUBO POST. DA SERBATOIO A SEPARATORE VAPORI	REAR PIPE FROM FUEL TANK TO DISAERATOR	29	14058411	1	DADO	NUT
12	148464	1	MANICOTTO	SLEEVE	30	114874	1	TUBO DA FILTRO A RACCORDO	PIPE FROM FILTER TO UNION
13	170442	1	VALVOLA VENTILAZIONE SERBATOIO	TANK VENTILATION VALVE	31	105990	1	RACCORDO A TRE VIE	3-WAY UNION
14	13000190	2	COLLARE A VITE	SCREW COLLAR	32	164439	1	TUBO DA RACCORDO A VALVOLA ANTIEVAPORAZIONE SUPERIORE	PIPE FROM UNION TO UPPER ANTIEVAPORATION VALVE
15	102948	2	DADO	NUT	33	164440	1	TUBO DA RACCORDO A VALVOLA ANTIEVAPORAZIONE INFERIORE	PIPE FROM UNION TO LOWER ANTIEVAPORATION VALVE
16	14496424	2	ROSETTA	WASHER	34	162412	2	VALVOLA ANTIEVAPORAZIONE	ANTI-EVAPORATION VALVE
17	155762	1	TUBO DA VALVOLA A TUBO INTERMEDIO	PIPE FROM VALVE TO INTERMEDIATE PIPE	35	102948	2	DADO	NUT
18	13000190	1	COLLARE A VITE	SCREW COLLAR	36	14499324	2	ROSETTA	WASHER
19	155763	1	TUBO INTERMEDIO	INTERMEDIATE PIPE	37	155778	1	TUBO DA VALVOLA A COLLETTORE DX.	PIPE FROM VALVE TO R.H. MANIFOLD



**456MGT/GTA**

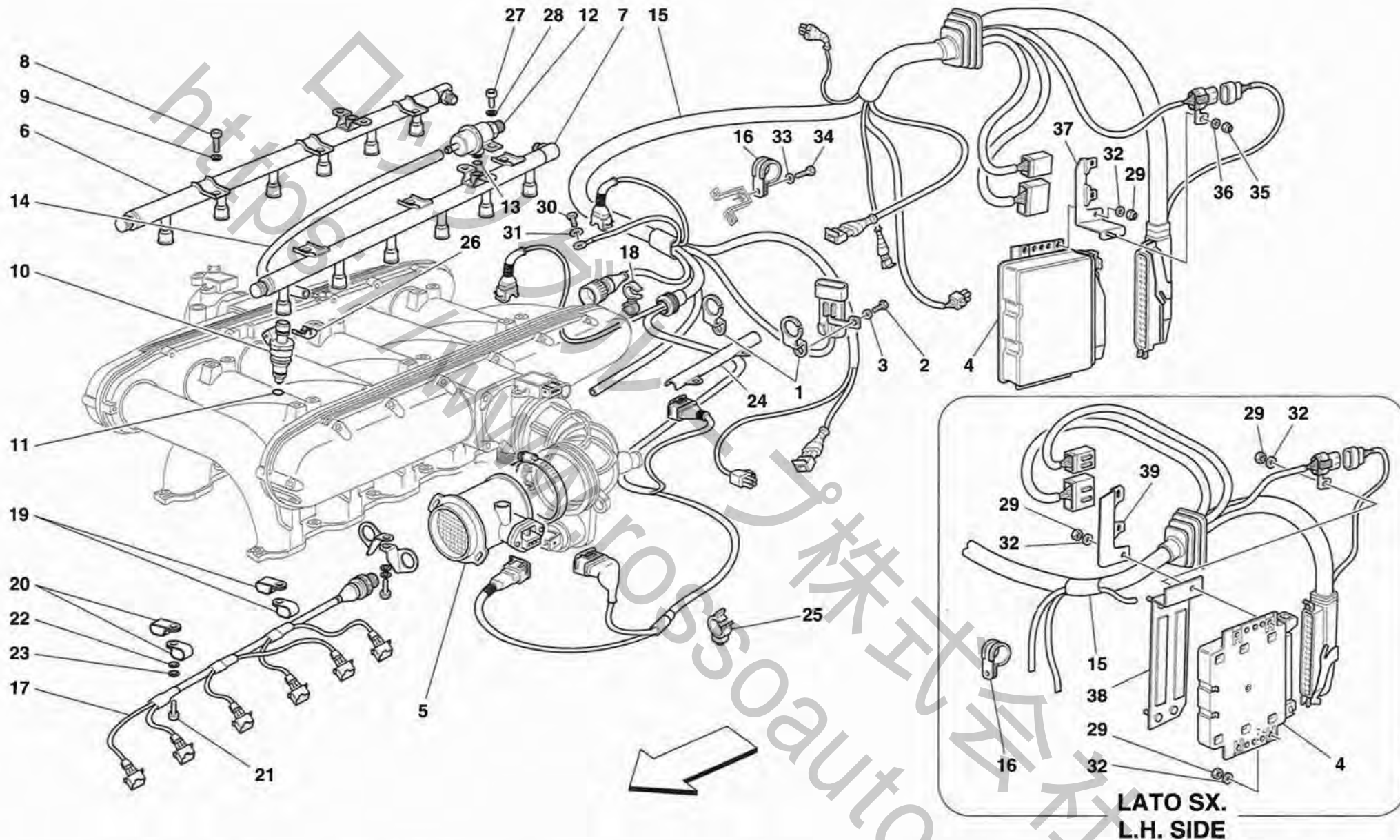
**IMPIANTO ANTIEVAPORAZIONE -Vale per USA, CDN e AUS-**  
**ANTIEVAPORATION DEVICE -Valid for USA, CDN and AUS-**

**TAV. 13**

DATA: OTTOBRE '98



Rif	Dis.N° Part.N°	Q.ty	Denominazione	Description	Rif	Dis.N° Part.N°	Q.ty	Denominazione	Description
1	155407	1	SEPARATORE VAPORI	DISAREATOR	19	155763	1	TUBO INTERMEDIO	INTERMEDIATE PIPE
2	155313	1	ANELLO DI TENUTA	SEAL RING	20	13000190	2	COLLARE A VITE	SCREW COLLAR
3	124193	1	VALVOLA ANTIDEFUSSO	ANTI FLOWING BACK VALVE	21	174782	1	FILTRO VAPORI COMBUSTIBILE	FUEL VAPOR FILTER
4	155405	1	STAFFA	BRACKET	22	156452	1	STAFFA FISS. FILTRO A TELAIO	FRAME FASTENING FILTER BRACKET
5	174945	1	TUBO DA VALVOLA ANTIDEFUSSO A VALVOLA VENTILAZIONE	PIPE FROM ANTI-FLOWING BACK VALVE TO VENTILATION VALVE	23	138496	1	STAFFA COMPLETA	COMPLETE BRACKET
6	14496324	2	ROSETTA	WASHER	24	157934	2	COLLARE A VITE	SCREW COLLAR
7	13273911	2	VITE	SCREW	25	10902124	2	VITE	SCREW
8	116764	1	TUBO ANT. DA SERBATOIO A SEPARATORE VAPORI	FRONT PIPE FROM FUEL TANK TO DISAERATOR	26	102948	2	DADO	NUT
9	116767	1	TUBO CENTRALE DA SERBATOIO A SEPARATORE VAPORI	CENTRAL PIPE FROM FUEL TANK TO DISAERATOR	27	164437	2	STAFFETTA DI FISSAGGIO	FIXING BRACKET
10	13000190	6	COLLARE A VITE	SCREW COLLAR	28	137716	2	PIASTRINA	PLATE
11	114880	1	TUBO POST. DA SERBATOIO A SEPARATORE VAPORI	REAR PIPE FROM FUEL TANK TO DISAERATOR	29	14058411	2	DADO	NUT
12	114888	1	TUBO DA RACCORDO DX. A VALVOLA ANTIEVAPORAZIONE	PIPE FROM R.H. UNION TO ANTIEVAPORATION VALVE	30	179176	1	TUBO COLLEGAMENTO TUBO INTERMEDIO A FILTRO VAPORI	PIPE CONNECTING INTERMEDIATE PIPE TO VAPOR FILTER
13	116774	1	TUBO DA RACCORDO SX. A VALVOLA ANTIEVAPORAZIONE	PIPE FROM L.H. UNION TO ANTIEVAPORATION VALVE	31	116761	4	TUBO GOMMA	RUBBER HOSE
14	174786	1	TUBO DA FILTRO VAPORI A VALVOLA ESTERNA	PIPE FROM VAPOR FILTER TO OUTER VALVE	32	174594	2	VALVOLA VENTILAZIONE SERBATOIO	TANK VENTILATION VALVE
15	102948	2	DADO	NUT	33	105495	2	RACCORDO	UNION
16	14496424	2	ROSETTA	WASHER	34	162412	2	VALVOLA ANTIEVAPORAZIONE	ANTI-EVAPORATION VALVE
17	174947	1	TUBO DA VALVOLA A TUBO INTERMEDIO	PIPE FROM VALVE TO INTERMEDIATE PIPE	35	102948	2	DADO	NUT
18	174787	1	TUBO DA FILTRO VAPORI A VALVOLA POST.	PIPE FROM VAPOR FILTER TO REAR VALVE	36	14499324	2	ROSETTA	WASHER
					37	175610	1	RACCORDO COMPLETO DI MANICOTTO	UNION WITH SLEEVE
					38	133956	4	GUARNIZIONE O.R.	O.R. GASKET
					39	13434670	9	COLLARE	COLLAR
					40	13434670	2	COLLARE	COLLAR



**456MGT/GTA**

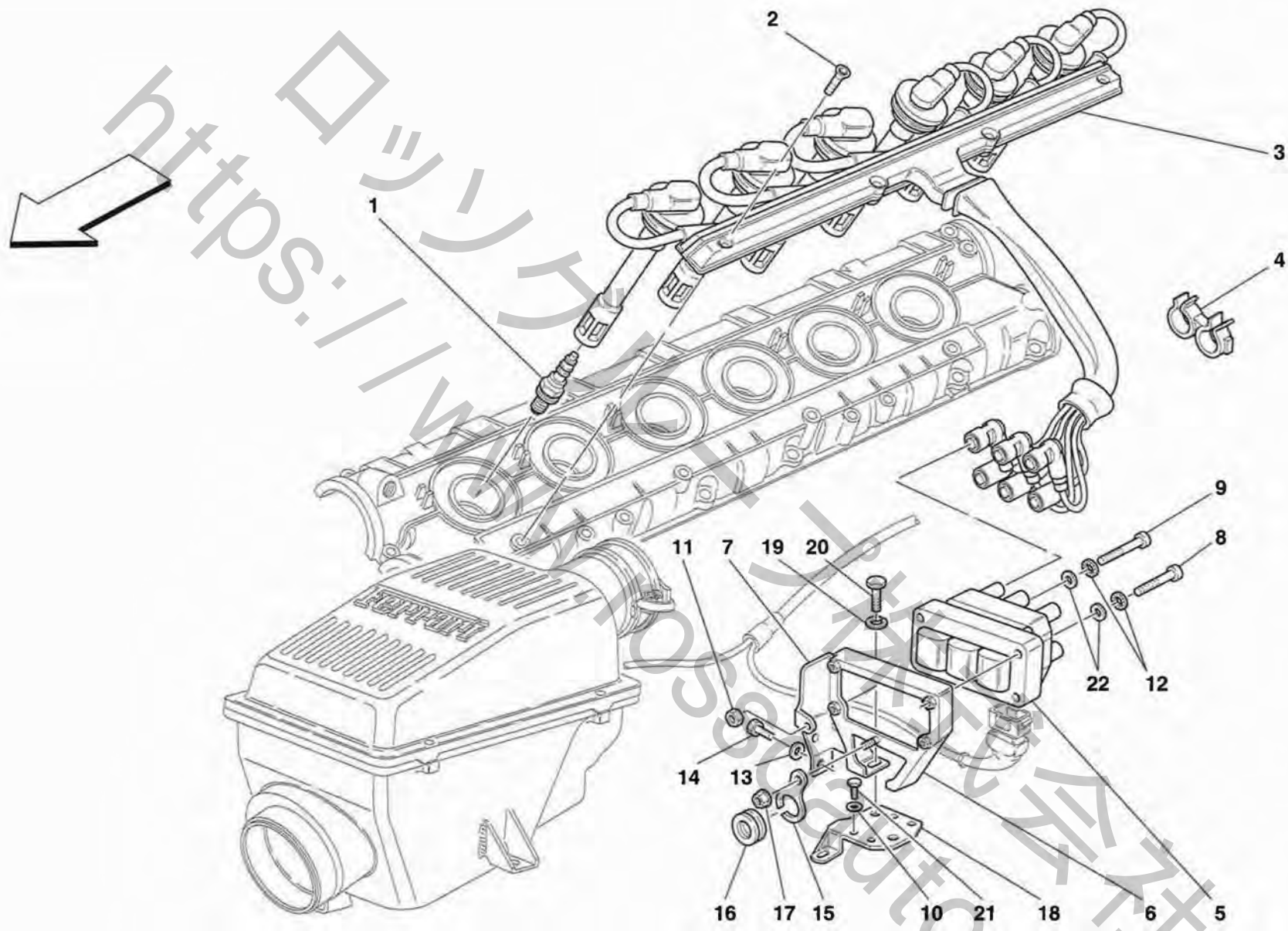
IMPIANTO INIEZIONE  
INJECTION DEVICE

TAV. 14

DATA: OTTOBRE '98

Rif	Dis.N° Part.N°	Q.ty	Denominazione	Description	Rif	Dis.N° Part.N°	Q.ty	Denominazione	Description
1	155327	2	STAFFA	BRACKET	10	162613	12	ELETTROINIETTORE	ELECTRO-INJECTOR
2	16043124	2	VITE	SCREW	11	133902	12	GUARNIZIONE O.R.	O.R. GASKET
3	127496	2	ROSETTA	WASHER	12	148254	2	REGOLATORE DI PRESSIONE	PRESSURE REGULATOR
4	175788	2	CENTRALINA ELETTRONICA PROGRAMMATA -No per 456M GTA- -No per USA, CDN, AUS, BRUNEI e no per vetture non catalizzate-	PROGRAMMED ELECTRONIC CONTROL STATION -Not for 456M GTA- -Not for USA, CDN, AUS, BRUNEI and not for non-catalyzed cars-	13	152211	2	ANELLO DI TENUTA	SEAL RING
-	175795	2	CENTRALINA ELETTRONICA PROGRAMMATA -No per 456M GTA- -Vale per USA, CDN e AUS-	PROGRAMMED ELECTRONIC CONTROL STATION -Not for 456M GTA- -Valid for USA, CDN and AUS-	14	118901	2	TUBO GOMMA	RUBBER HOSE
-	175805	2	CENTRALINA ELETTRONICA PROGRAMMATA -No per 456M GTA- -Vale per BRUNEI-	PROGRAMMED ELECTRONIC CONTROL STATION -Not for 456M GTA- -Valid for BRUNEI-	15	174496	1	CAVI COLLEG. BANCATA SX. -No per GD-	CABLES FOR L.H. MAIN BEARINGS CONNECTION -Not for GD-
-	175789	2	CENTRALINA ELETTRONICA PROGRAMMATA -No per 456M GTA- -Vale per vetture non catalizzate-	PROGRAMMED ELECTRONIC CONTROL STATION -Not for 456M GTA- -Valid for not catalyzed cars-	-	177184	1	CAVI COLLEG. BANCATA SX. -Vale per GD-	CABLES FOR L.H. MAIN BEARINGS CONNECTION -Valid for GD-
-	175792	2	CENTRALINA ELETTRONICA PROGRAMMATA -Vale per 456M GTA- -No per USA, CDN, AUS, BRUNEI e no per vetture non catalizzate-	PROGRAMMED ELECTRONIC CONTROL STATION -Valid for 456M GTA- -Not for USA, CDN, AUS, BRUNEI and not for non-catalyzed cars-	-	174495	1	CAVI COLLEG. BANCATA DX. -No per GD-	CABLES FOR R.H. MAIN BEARINGS CONNECTION -Not for GD-
-	175797	2	CENTRALINA ELETTRONICA PROGRAMMATA -Vale per 456M GTA- -Vale per USA, CDN e AUS-	PROGRAMMED ELECTRONIC CONTROL STATION -Valid for 456M GTA- -Valid for USA, CDN and AUS-	-	177183	1	CAVI COLLEG. BANCATA DX. -Vale per GD-	CABLES FOR R.H. MAIN BEARINGS CONNECTION -Valid for GD-
-	175807	2	CENTRALINA ELETTRONICA PROGRAMMATA -Vale per 456M GTA- -Vale per BRUNEI-	PROGRAMMED ELECTRONIC CONTROL STATION -Valid for 456M GTA- -Valid for BRUNEI-	16	10442090	2	STAFFETTA	BRACKET
-	175793	2	CENTRALINA ELETTRONICA PROGRAMMATA -Vale per 456M GTA- -Vale per vetture non catalizzate-	PROGRAMMED ELECTRONIC CONTROL STATION -Valid for 456M GTA- -Valid for not catalyzed cars-	17	168529	2	CAVI COLLEGAMENTO INIETTORI	INJECTORS CONNECTION CABLES
5	162530	2	MISURATORE PORTATA ARIA	AIR INDICATOR	18	145545	2	ASSIEME MOLLETTE ELASTICHE	SPRINGS
6	173751	1	TUBO DX. COMPL. DI INIETTORI	R.H. INJECTORS COMPLETE TUBE	19	10418401	2	STAFFETTA DI FISSAGGIO	FIXING BRACKET
7	173745	1	TUBO SX. COMPL. DI INIETTORI	L.H. INJECTORS COMPLETE TUBE	20	10418601	2	STAFFETTA DI FISSAGGIO	FIXING BRACKET
8	14305724	6	VITE	SCREW	21	10902024	2	VITE	SCREW
9	12601274	6	ROSETTA	WASHER	22	12639724	2	ROSETTA	WASHER
					23	127494	2	ROSETTA	WASHER
					24	154772	2	STAFFA FISSAGGIO CAVI	BRACKET FOR CABLES FIXING
					25	164565	1	MOLLETTA	CLIP
					26	144763	12	MOLLETTA TENUTA INIETTORI	INJECTORS RETAINING CLIP
					27	172763	4	VITE	SCREW
					28	127494	4	ROSETTA	WASHER
					29	102741	4	DADO	NUT
					30	10902024	2	VITE	SCREW
					31	127494	2	ROSETTA	WASHER
					32	10519424	4	ROSETTA	WASHER
					33	127494	1	ROSETTA	WASHER
					34	10902024	1	VITE	SCREW
					35	113647	2	DADO	NUT
					36	12637824	2	ROSETTA	WASHER
					37	175674	1	STAFFA DX.	R.H. BRACKET
					38	175683	1	STAFFA FISSAGGIO CENTRALINA ABS	ABS CONTROL UNIT FIXING BRACKET
					39	175675	1	STAFFA SX.	L.H. BRACKET

Tavola 14 - IMPIANTO INIEZIONE INJECTION DEVICE



**456MGT/GTA**

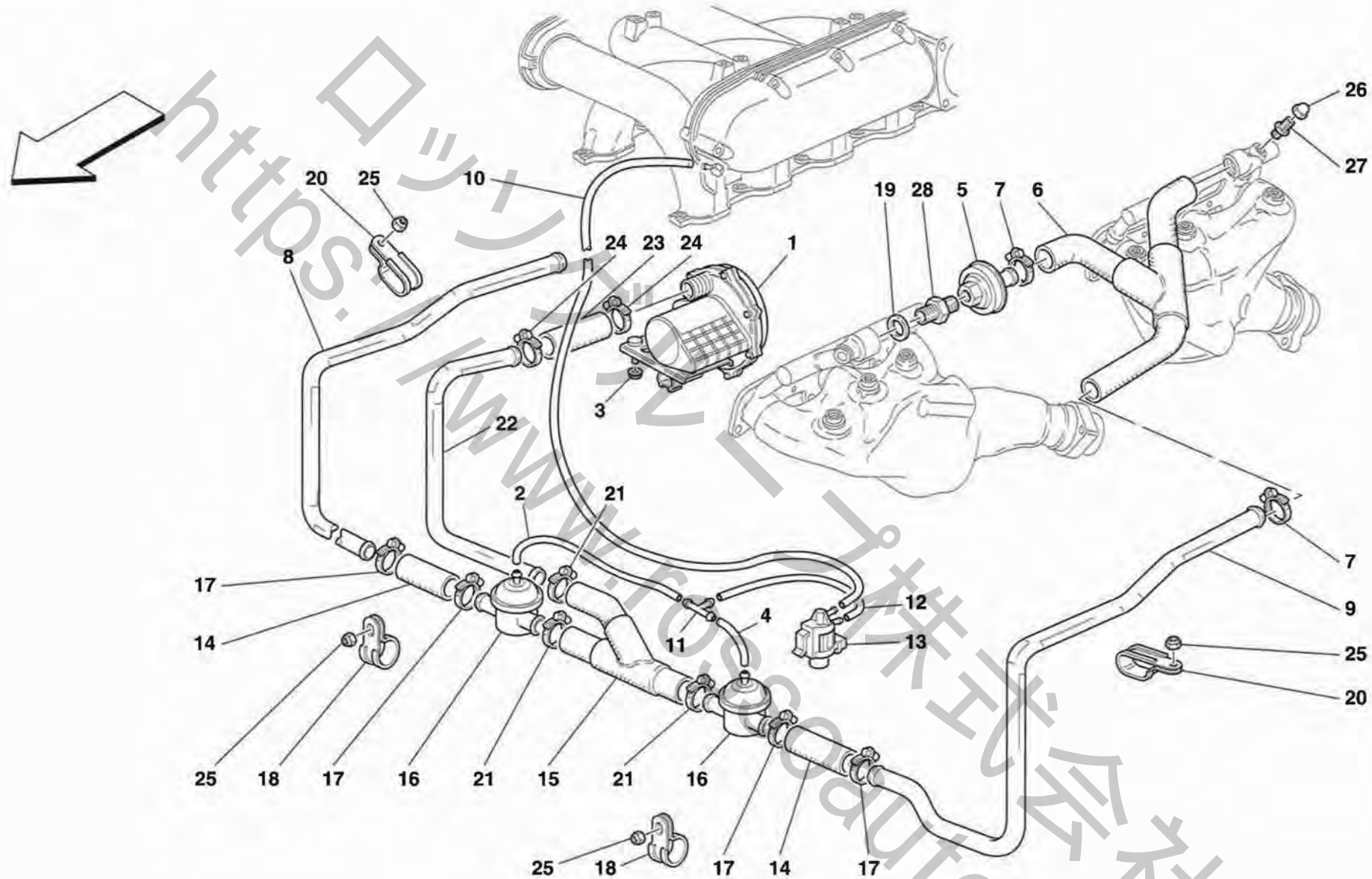
**IMPIANTO ACCENSIONE**  
**IGNITION DEVICE**

**TAV. 15**

DATA: OTTOBRE '98



Rif	Dis.N° Part.N°	Q.ty	Denominazione	Description	Rif	Dis.N° Part.N°	Q.ty	Denominazione	Description
1	154490	12	CANDELA ACCENSIONE	SPARK PLUG	9	13274972	2	VITE	SCREW
2	14440834	8	VITE	SCREW	10	127494	8	ROSETTA	WASHER
3	155788	1	CAVI ALTA TENSIONE DA BOBINA A CANDELE CILINDRI 1/6 COMPLETI	HIGH TENSION COMPLETE CABLES FOR 1/6 CYLINDERS	11	15896470	2	DADO	NUT
-	155789	1	CAVI ALTA TENSIONE DA BOBINA A CANDELE CILINDRI 7/12 COMPLETI	HIGH TENSION COMPLETE CABLES FOR 7/12 CYLINDERS	12	149951	8	ROSETTA	WASHER
4	155960	2	MOLLETTA	CLIP	13	12601174	4	ROSETTA	WASHER
5	138224	2	BOBINA DI ACCENSIONE	IGNITION COIL	14	10856821	4	VITE	SCREW
6	155320	1	STAFFA SUPPORTO BOBINA SX.	L.H. BRACKET FOR IGNITION COIL SUPPORT	15	165792	2	STAFFA PER TUBO ARIA SECONDARIA	BRACKET FOR SECONDARY AIR PIPE
-	155319	1	STAFFA SUPPORTO BOBINA DX.	R.H. BRACKET FOR IGNITION COIL SUPPORT	16	10396780	2	ANELLO ISOLANTE	INSULATING RING
7	154953	1	PROTEZIONE SX.	L.H. PROTECTION	17	14059211	2	DADO	NUT
-	154955	1	PROTEZIONE DX.	R.H. PROTECTION	18	155306	1	PIASTRA SX.	L.H. PLATE
8	13274872	6	VITE	SCREW	-	155305	1	PIASTRA DX.	R.H. PLATE
					19	127496	4	ROSETTA	WASHER
					20	16043124	4	VITE	SCREW
					21	10902024	8	VITE	SCREW
					22	10519378	8	ROSETTA	WASHER



**456MGT/GTA**

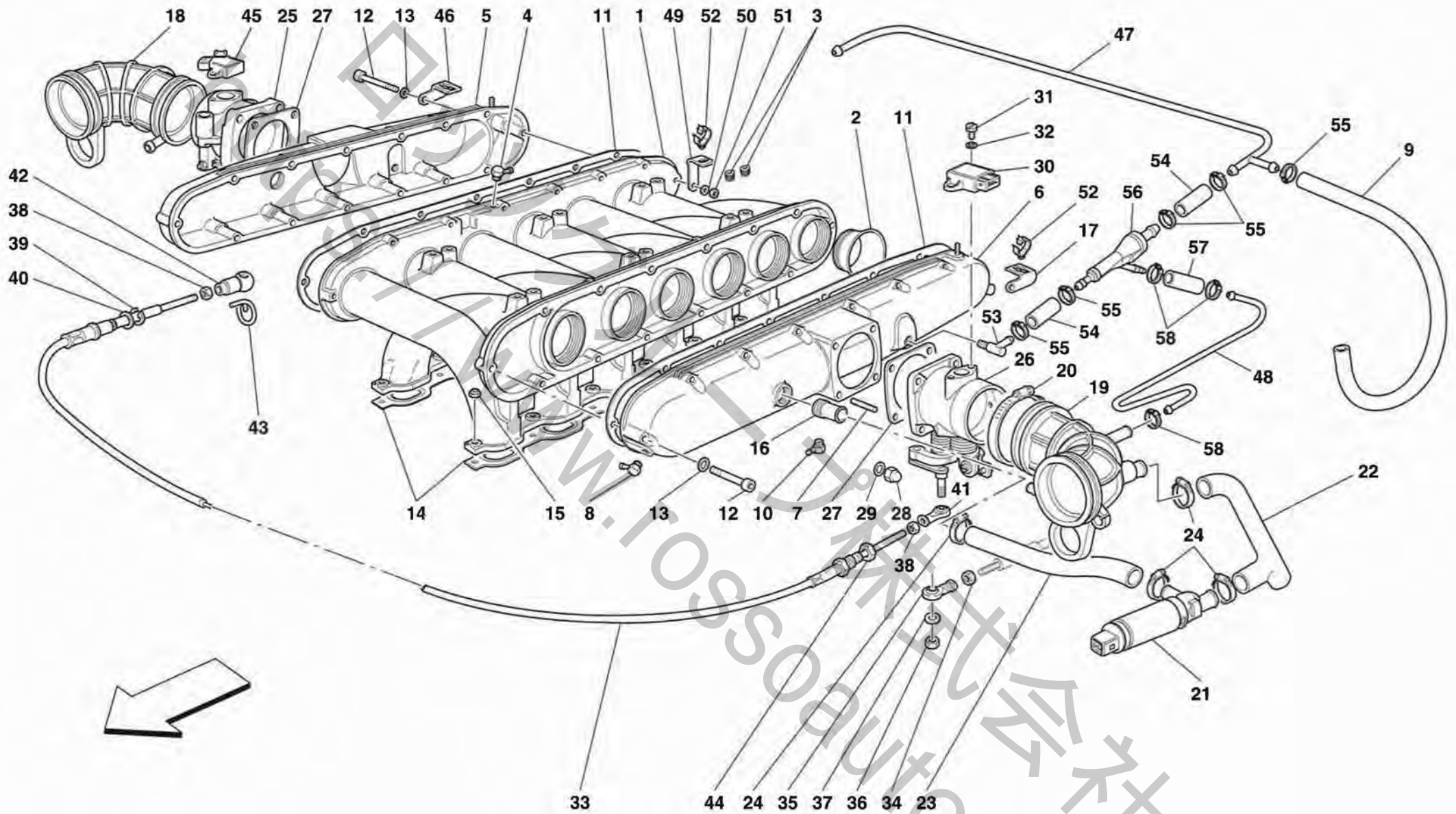
**IMPIANTO ARIA SECONDARIA**  
**SECONDARY AIR PUMP**

**TAV. 16**

DATA: OTTOBRE '98

Rif	Dis.N° Part.N°	Q.ty	Denominazione	Description
1	165903	1	POMPA ARIA ELETTRICA	ELECTRIC AIR PUMP
2	115412	1	TUBO GOMMA	RUBBER HOSE
3	14058411	3	DADO	NUT
4	121831	1	TUBO GOMMA	RUBBER HOSE
5	148494	4	VALVOLA ARIA SECONDARIA	SECONDARY AIR VALVE
6	154873	2	TUBO COLLEGAMENTO	CONNECTION PIPE
7	161490	6	COLLARE A VITE	SCREW COLLAR
8	155103	1	TUBO DX.	R.H. PIPE
9	155104	1	TUBO SX.	L.H. PIPE
10	117170	1	TUBO DA ELETTROVALVOLA A POLMONE SX.	PIPE FROM SOLENOID VALVE TO L.H. PLENUM CHAMBER
11	121793	1	RACCORDO A TRE VIE	3-WAY UNION
12	159539	1	TUBO DA RACCORDO A ELETTROVALVOLA	PIPE FROM UNION TO SOLENOID VALVE
13	159177	1	ELETTROVALVOLA	SOLENOID VALVE

Rif	Dis.N° Part.N°	Q.ty	Denominazione	Description
14	155107	2	TUBO GOMMA	RUBBER HOSE
15	154871	1	MANICOTTO DI COLLEGAMENTO	CONNECTION SLEEVE
16	147390	2	VALVOLA CUT-OFF	CUT-OFF VALVE
17	13000490	4	COLLARE A VITE	SCREW COLLAR
18	10442290	2	STAFFETTA CON GUAINA	BRACKET WITH SHEATH
19	10257460	4	GUARNIZIONE	GASKET
20	61712500	2	FASCETTA	CLAMP
21	13000490	3	COLLARE A VITE	SCREW COLLAR
22	155105	1	TUBO	PIPE
23	155116	1	MANICOTTO	SLEEVE
24	13000490	2	COLLARE A VITE	SCREW COLLAR
25	102948	4	DADO	NUT
26	150595	4	DADO CIECO	CAP NUT
27	152630	4	RACCORDO	UNION
28	152631	4	RACCORDO	UNION



**456MGT/GTA**

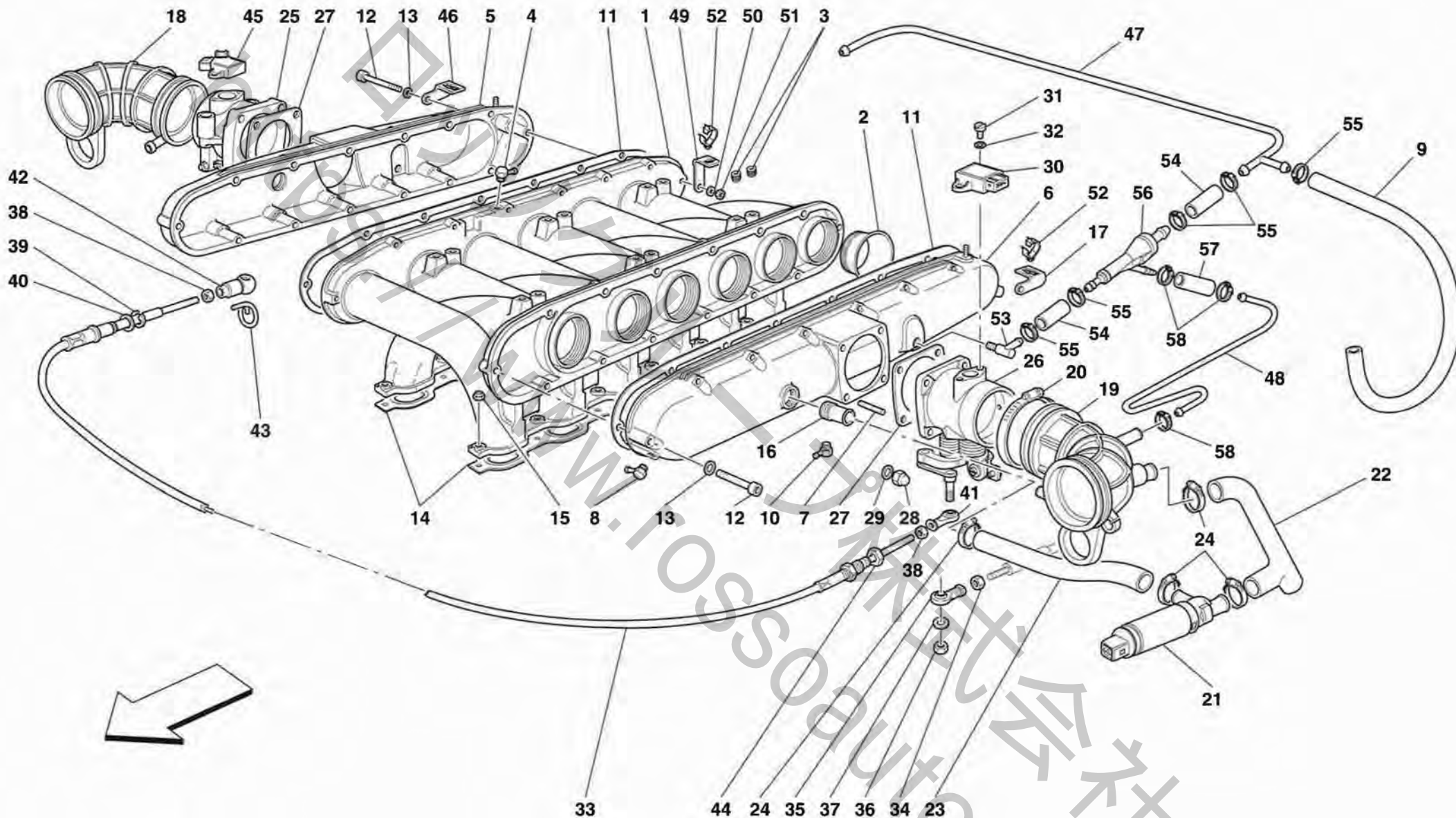
**COLLETORE ASPIRAZIONE**  
**AIR INTAKE MANIFOLDS**

**TAV. 17**

**DATA: OTTOBRE '98**



Rif	Dis.N° Part.N°	Q.ty	Denominazione	Description	Rif	Dis.N° Part.N°	Q.ty	Denominazione	Description
-	178856	1	COLLETTORI DI ASPIRAZIONE COMPLETI	COMPLETE SUCTION MANIFOLDS	8	128016	2	RACCORDO	UNION
1	176751	1	COLLETTORI DI ASPIRAZIONE -Non a ricambio- -Con i collettori aspirazione completi-	SUCTION MANIFOLDS -Not as spare part- -With complete suction manifolds-	9	173842	1	TUBO AL SERVOFRENO	BRAKE BOOSTER
2	154245	12	TERMINALE PER COLLETTORE	END MANIFOLD	10	128016	2	RACCORDO -No per USA, CDN e AUS-	UNION -Not for USA, CDN and AUS-
3	13525570	12	INSERTO FILETTATO	THREADED INSERT	-	174818	2	RACCORDO -Vale per USA, CDN e AUS-	UNION -Valid for USA, CDN and AUS-
4	128016	2	RACCORDO	UNION	11	154562	2	GUARNIZIONE	GASKET
-	178859	1	COPERCHIO COLLETTORI DI ASPIRAZIONE DX. COMPLETO -No per USA, CDN e AUS-	COMPLETE R.H. SUCTION MANIFOLDS COVER -Not for USA, CDN and AUS-	12	156828	28	VITE	SCREW
-	178861	1	COPERCHIO COLLETTORI DI ASPIRAZIONE DX. COMPLETO -Vale per USA, CDN e AUS-	COMPLETE R.H. SUCTION MANIFOLDS COVER -Valid for USA, CDN and AUS-	13	12601274	28	ROSETTA	WASHER
5	178516	1	COPERCHIO COLLETTORI DI ASPIRAZIONE DX. -Non a ricambio- -Con coperchio completo- -No per USA, CDN e AUS-	R.H. SUCTION MANIFOLDS COVER -Not as spare part- -With complete cover- -Not for USA, CDN and AUS-	14	164092	2	GUARNIZIONE	GASKET
-	178518	1	COPERCHIO COLLETTORI DI ASPIRAZIONE DX. -Non a ricambio- -Con coperchio completo- -Vale per USA, CDN e AUS-	R.H. SUCTION MANIFOLDS COVER -Not as spare part- -With complete cover- -Valid for USA, CDN and AUS-	15	159601	24	DADO	NUT
-	178860	1	COPERCHIO COLLETTORI DI ASPIRAZIONE SX. COMPLETO -No per USA, CDN e AUS-	COMPLETE L.H. SUCTION MANIFOLDS COVER -Not for USA, CDN and AUS-	16	143286	2	RACCORDO	UNION
-	178862	1	COPERCHIO COLLETTORI DI ASPIRAZIONE SX. COMPLETO -Vale per USA, CDN e AUS-	COMPLETE L.H. SUCTION MANIFOLDS COVER -Valid for USA, CDN and AUS-	17	178556	1	STAFFETTA SX.	L.H. BRACKET
6	178517	1	COPERCHIO COLLETTORI DI ASPIRAZIONE SX. -Non a ricambio- -Con coperchio completo- -No per USA, CDN e AUS-	L.H. SUCTION MANIFOLDS COVER -Not as spare part- -With complete cover- -Not for USA, CDN and AUS-	18	178507	1	MANICOTTO DX.	R.H. SLEEVE
-	178519	1	COPERCHIO COLLETTORI DI ASPIRAZIONE SX. -Non a ricambio- -Con coperchio completo- -Vale per USA, CDN e AUS-	L.H. SUCTION MANIFOLDS COVER -Not as spare part- -With complete cover- -Valid for USA, CDN and AUS-	19	178508	1	MANICOTTO SX.	L.H. SLEEVE
7	13541324	8	PRIGIONIERO	STUD	20	13001190	4	COLLARE A VITE	SCREW COLLAR
					21	142432	2	REGOLATORE GIRI MINIMO	REGULATOR FOR IDLE ADJUSTMENT
					22	159120	2	TUBO DAL REGOLATORE AL MANICOTTO	PIPE FROM REGULATOR TO SLEEVE
					23	171759	2	TUBO DAL REGOLATORE AL POLMONE	PIPE FROM REGULATOR TO PLENUM CHAMBER
					24	13000490	8	COLLARE A VITE	SCREW COLLAR
					25	175085	1	CORPO FARFALLATO DX. COMPLETO DI POTENZIOMETRO	COMPLETE R.H. THROTTLE HOLDER
					26	148833	1	CORPO FARFALLATO SX. COMPLETO DI POTENZIOMETRO	COMPLETE L.H. THROTTLE HOLDER WITH POTENTIOMETER
					27	142934	2	GUARNIZIONE	GASKET
					28	101239	8	DADO CIECO	CAP NUT
					29	12601274	8	ROSETTA	WASHER
					30	158170	1	POTENZIOMETRO PER VALVOLA A FARFALLA SX.	POTENTIOMETER FOR L.H. THROTTLE VALVE
					31	10444521	4	VITE	SCREW
					32	12601074	4	ROSETTA	WASHER
					33	178200	1	CAVO PUSH-PULL	PUSH-PULL CABLE
					34	15896470	1	DADO	NUT
					35	111530	1	TIRANTE	TIE ROD
					36	113647	1	DADO	NUT
					37	14496324	1	ROSETTA	WASHER
					38	15896470	2	DADO	NUT
					39	11088076	1	ANELLO ELASTICO	FLEXIBLE RING
					40	12638624	1	ROSETTA	WASHER



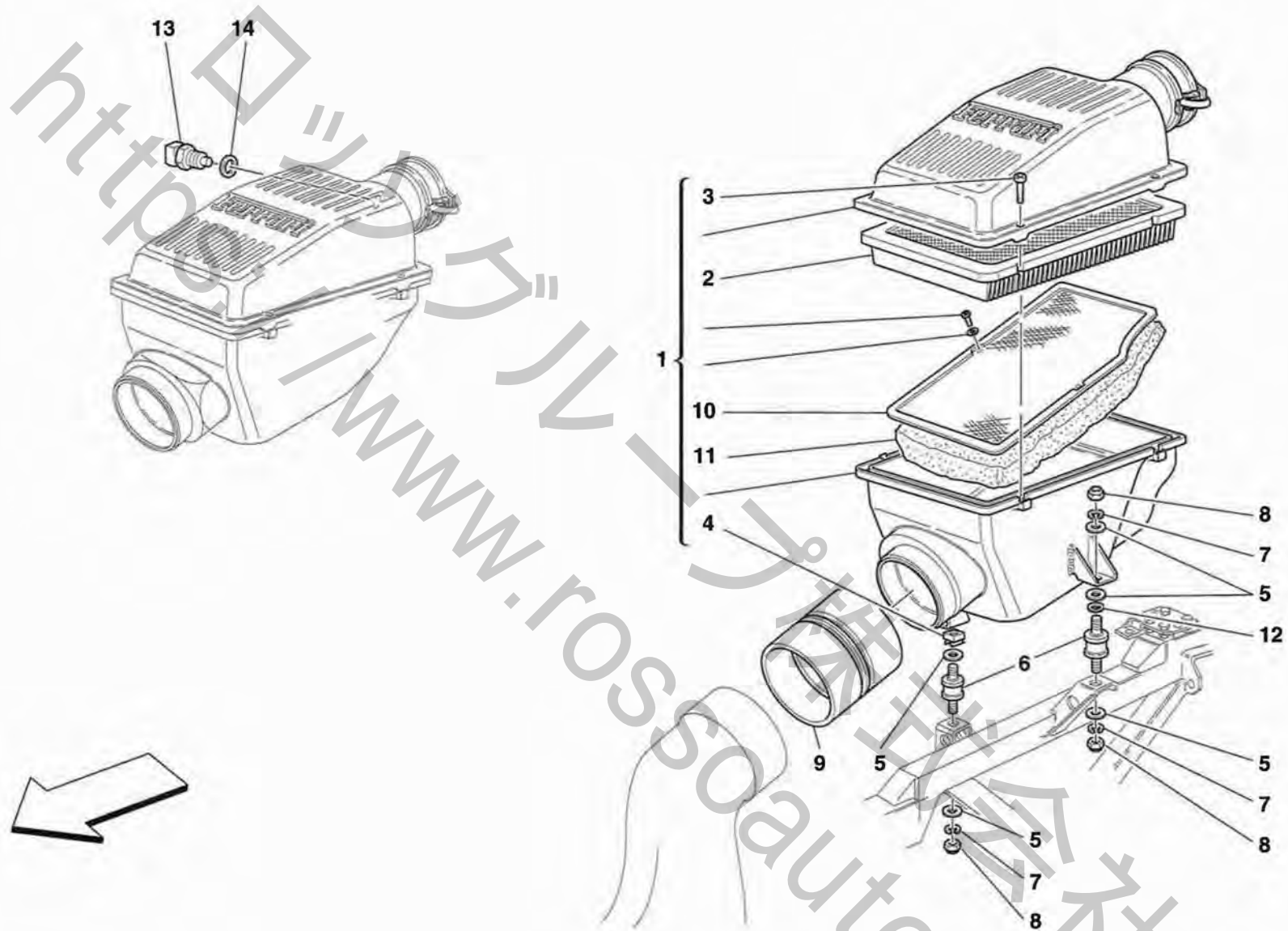
**456MGT/GTA**

**COLLETTORE ASPIRAZIONE**  
**AIR INTAKE MANIFOLDS**

**TAV. 17**

DATA: OTTOBRE '98

Rif	Dis.N° Part.N°	Q.ty	Denominazione	Description	Rif	Dis.N° Part.N°	Q.ty	Denominazione	Description
41	111530	1	TIRANTE	TIE ROD	-	178542	1	TUBO DA VALVOLA NON RITORNO A MANICOTTO DX.	PIPE FROM NONRETURN VALVE TO R.H. SLEEVE
42	173999	1	GIUNTO SFERICO	BALL JOINT	49	177977	2	PIASTRINO	SMALL PLATE
43	174001	1	FERMAGLIO	RETAINER	50	14499324	2	ROSETTA	WASHER
44	16102314	1	DADO	NUT	51	102948	2	DADO	NUT
45	172750	1	POTENZIOMETRO PER VALVOLA A FARFALLA DX.	POTENTIOMETER FOR R.H. THROTTLE VALVE	52	164565	2	MOLLETTA	CLIP
46	178555	1	STAFFETTA DX.	R.H. BRACKET	53	175207	2	RACCORDO	UNION
47	178541	1	TUBO VALVOLE NON RITORNO/ SERVOFRENO	PIPE NONRETURN VALVE/ BRAKE BOOSTER	54	171972	4	TUBO GOMMA	RUBBER HOSE
-	178648	1	TUBO VALVOLE NON RITORNO/ SERVOFRENO	PIPE NONRETURN VALVE/ BRAKE BOOSTER	55	13433570	9	COLLARE PER MANICOTTO	COLLAR FOR SLEEVE
			-No per GD-	-Not for GD-	56	178529	2	VALVOLA PER DEPRESSIONE SERVOFRENO	BRAKE DEPRESSURE VALVE
			-Vale per GD-	-Valid for GD-	57	146969	2	TUBO GOMMA	RUBBER HOSE
48	178543	1	TUBO DA VALVOLA NON RITORNO A MANICOTTO SX.	PIPE FROM NONRETURN VALVE TO L.H. SLEEVE	58	13432270	6	COLLARE PER MANICOTTO	COLLAR FOR SLEEVE



456MGT/GTA

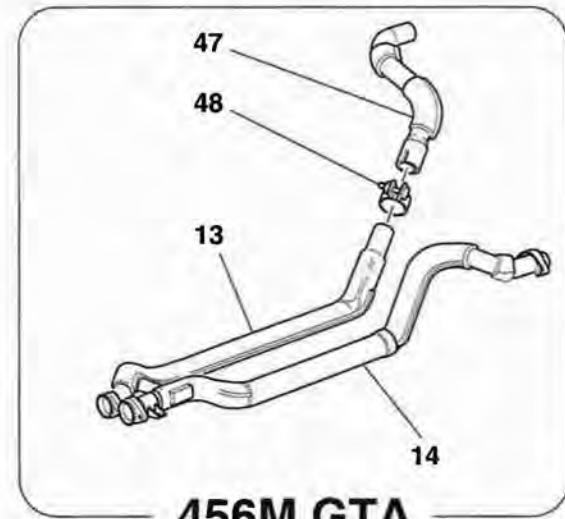
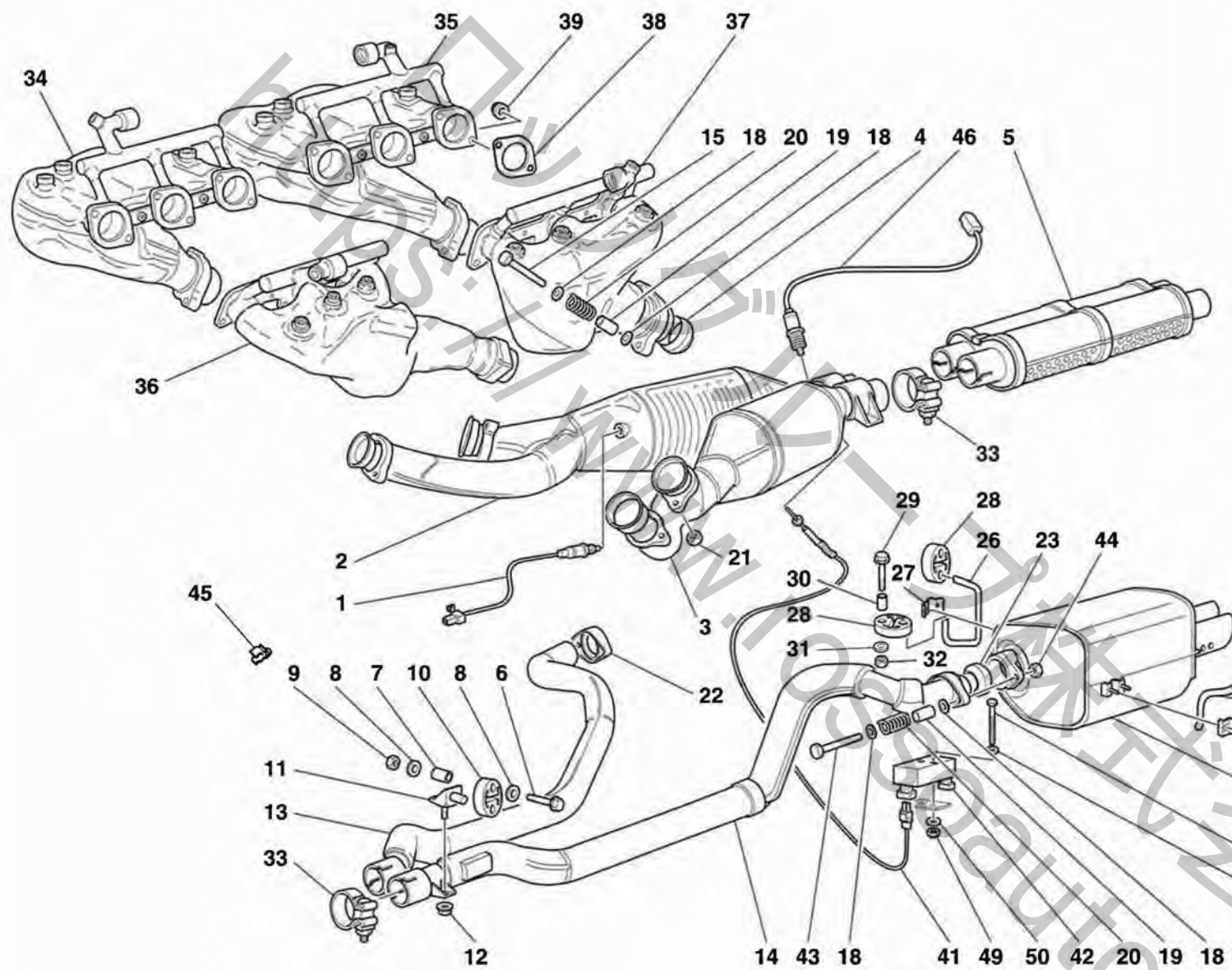
PRESA D'ARIA  
AIR INTAKE

TAV. 18

DATA: OTTOBRE '98



<i>Rif</i>	<i>Dis.N° Part.N°</i>	<i>Q.ty</i>	<i>Denominazione</i>	<i>Description</i>	<i>Rif</i>	<i>Dis.N° Part.N°</i>	<i>Q.ty</i>	<i>Denominazione</i>	<i>Description</i>
1	171998	1	PRESA ARIA DX. COMPLETA	COMPLETE R.H. AIR INTAKE	8	15896214	8	DADO	NUT
-	171999	1	PRESA ARIA SX. COMPLETA	COMPLETE L.H. AIR INTAKE	9	155975	2	MANICOTTO PER PRESA ARIA	SLEEVE FOR AIR INTAKE
2	151562	2	FILTRO ARIA	AIR FILTER	10	152579	2	RETE PER PRESA ARIA	AIR INTAKE SHIELD
3	157757	8	VITE	SCREW	11	152578	2	FILTRO	FILTER
4	14074790	2	DADO	NUT	12	12640624	2	ROSETTA	WASHER
5	12643724	10	ROSETTA	WASHER	13	162419	1	SENSORE TEMPERATURA ARIA	AIR TEMPERATURE SENSOR
6	142202	6	SUPPORTO ANTIVIBRANTE	ANTI-VIBRATION SUPPORT	14	10296160	1	GUARNIZIONE	GASKET
7	127494	8	ROSETTA	WASHER					



**456MGT/GTA**

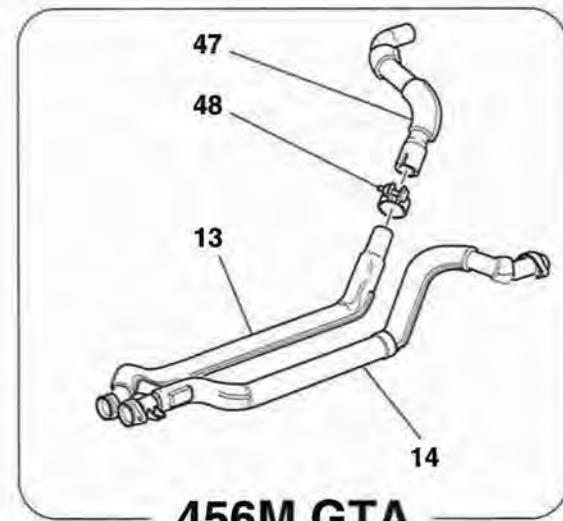
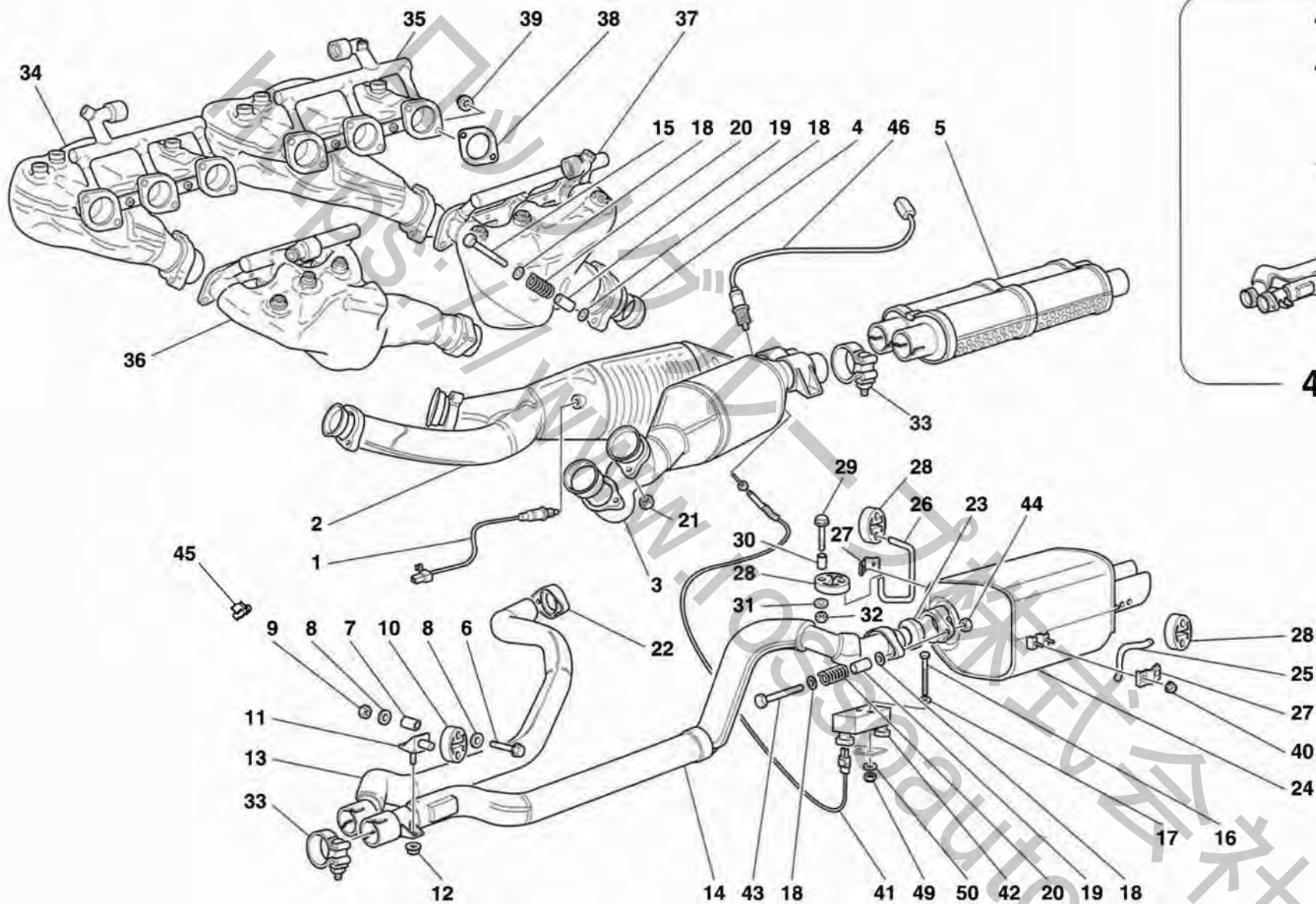
**IMPIANTO DI SCARICO**  
**EXHAUST SYSTEM**

**TAV. 19**

DATA: OTTOBRE '98

Rif	Dis.N° Part.N°	Q.ty	Denominazione	Description
1	162462	1	SONDA LAMBDA ANT. DX. -Vale per vetture catalizzate-	R.H. FRONT LAMBDA FEELER -Valid for catalyzed cars-
-	169953	1	SONDA LAMBDA ANT. SX. -Vale per vetture catalizzate-	L.H. FRONT LAMBDA FEELER -Valid for catalyzed cars-
-	165170	1	SONDA LAMBDA ANT. DX. -Vale per vetture non catalizzate-	R.H. FRONT LAMBDA FEELER -Valid for not catalyzed cars-
-	168928	1	SONDA LAMBDA ANT. SX. -Vale per vetture non catalizzate-	L.H. FRONT LAMBDA FEELER -Valid for not catalyzed cars-
2	167830	1	CATALIZZATORE DX. -Vale per vetture catalizzate- -No per USA, CDN e AUS-	R.H. CATALYST -Valid for catalyzed cars- -Not for USA, CDN and AUS-
-	167853	1	CATALIZZATORE DX. -Vale per vetture catalizzate- -Vale per USA, CDN e AUS-	R.H. CATALYST -Valid for catalyzed cars- -Valid for USA, CDN and AUS-
-	159222	1	PRESILenziatore DI SCARICO DX. -Vale per vetture non catalizzate-	R.H. EXHAUST PRE-MUFFLER -Valid for not catalyzed cars-
3	167831	1	CATALIZZATORE SX. -Vale per vetture catalizzate- -No per USA, CDN e AUS-	L.H. CATALYST -Valid for catalyzed cars- -Not for USA, CDN and AUS-
-	167854	1	CATALIZZATORE SX. -Vale per vetture catalizzate- -Vale per USA, CDN e AUS-	L.H. CATALYST -Valid for catalyzed cars- -Valid for USA, CDN and AUS-
-	159223	1	PRESILenziatore DI SCARICO SX. -Vale per vetture non catalizzate-	L.H. EXHAUST PRE-MUFFLER -Valid for not catalyzed cars-
4	154981	4	GUARNIZIONE	GASKET
5	175762	1	SILENZIATORE CENTRALE	CENTRAL MUFFLER
6	16287524	4	VITE	SCREW
7	154016	4	DISTANZIALE	SPACER
8	12642078	8	ROSETTA	WASHER
9	14058519	4	DADO	NUT
10	156967	4	TAMPONE	PAD
11	154299	4	SUPPORTO	SUPPORT
12	14058519	4	DADO	NUT
13	175811	1	PROLUNGA DI SCARICO DX. -No per 456M GTA-	R.H. EXHAUST EXTENSION -Not for 456M GTA-
-	175813	1	PROLUNGA DI SCARICO ANT. DX. -Vale per 456M GTA-	R.H. FRONT EXHAUST EXTENSION -Valid for 456M GTA-
14	175812	1	PROLUNGA DI SCARICO SX.	L.H. EXHAUST EXTENSION
15	16045024	8	VITE	SCREW

Rif	Dis.N° Part.N°	Q.ty	Denominazione	Description
16	15210824	4	VITE	SCREW
17	10519224	4	ROSETTA	WASHER
18	112761	24	ROSETTA	WASHER
19	114749	12	DISTANZIALE	SPACER
20	111743	12	MOLLA	SPRING
21	114748	12	DADO	NUT
22	154361	2	FLANGIA	FLANGE
23	154363	2	GUARNIZIONE	GASKET
24	156347	1	SILENZIATORE POSTERIORE DX.	R.H. REAR SILENCER
-	156348	1	SILENZIATORE POSTERIORE SX.	L.H. REAR SILENCER
25	154110	2	SUPPORTO ESTERNO	OUTER SUPPORT
26	161548	1	SUPPORTO INTERNO SX.	L. H. INNER SUPPORT
-	161549	1	SUPPORTO INTERNO DX.	R. H. INNER SUPPORT
27	154116	4	STAFFA	BRACKET
28	156968	6	TAMPONE SUPPORTO	BUFFER FOR SUPPORT
29	16287524	4	VITE	SCREW
30	154016	4	DISTANZIALE	SPACER
31	12642078	8	ROSETTA	WASHER
32	14058519	4	DADO	NUT
33	170541	4	FASCETTA	CLAMP
34	154364	1	COLLETTORE DI SCARICO ANTERIORE DX. -No per GD-	R.H. FRONT EXHAUST MANIFOLD -Not for GD-
-	175437	1	COLLETTORE DI SCARICO ANTERIORE DX. -Vale per GD-	R.H. FRONT EXHAUST MANIFOLD -Valid for GD-
35	154365	1	COLLETTORE DI SCARICO POSTERIORE DX. -No per GD-	R.H. REAR EXHAUST MANIFOLD -Not for GD-
-	175439	1	COLLETTORE DI SCARICO POSTERIORE DX. -Vale per GD-	R.H. REAR EXHAUST MANIFOLD -Valid for GD-
36	174632	1	COLLETTORE DI SCARICO ANTERIORE SX. -No per GD-	L.H. FRONT EXHAUST MANIFOLD -Not for GD-
-	154366	1	COLLETTORE DI SCARICO ANTERIORE SX. -Vale per GD-	L.H. FRONT EXHAUST MANIFOLD -Valid for GD-
37	174633	1	COLLETTORE DI SCARICO POSTERIORE SX. -No per GD-	L.H. REAR EXHAUST MANIFOLD -Not for GD-



**456M GTA**



**456MGT/GTA**

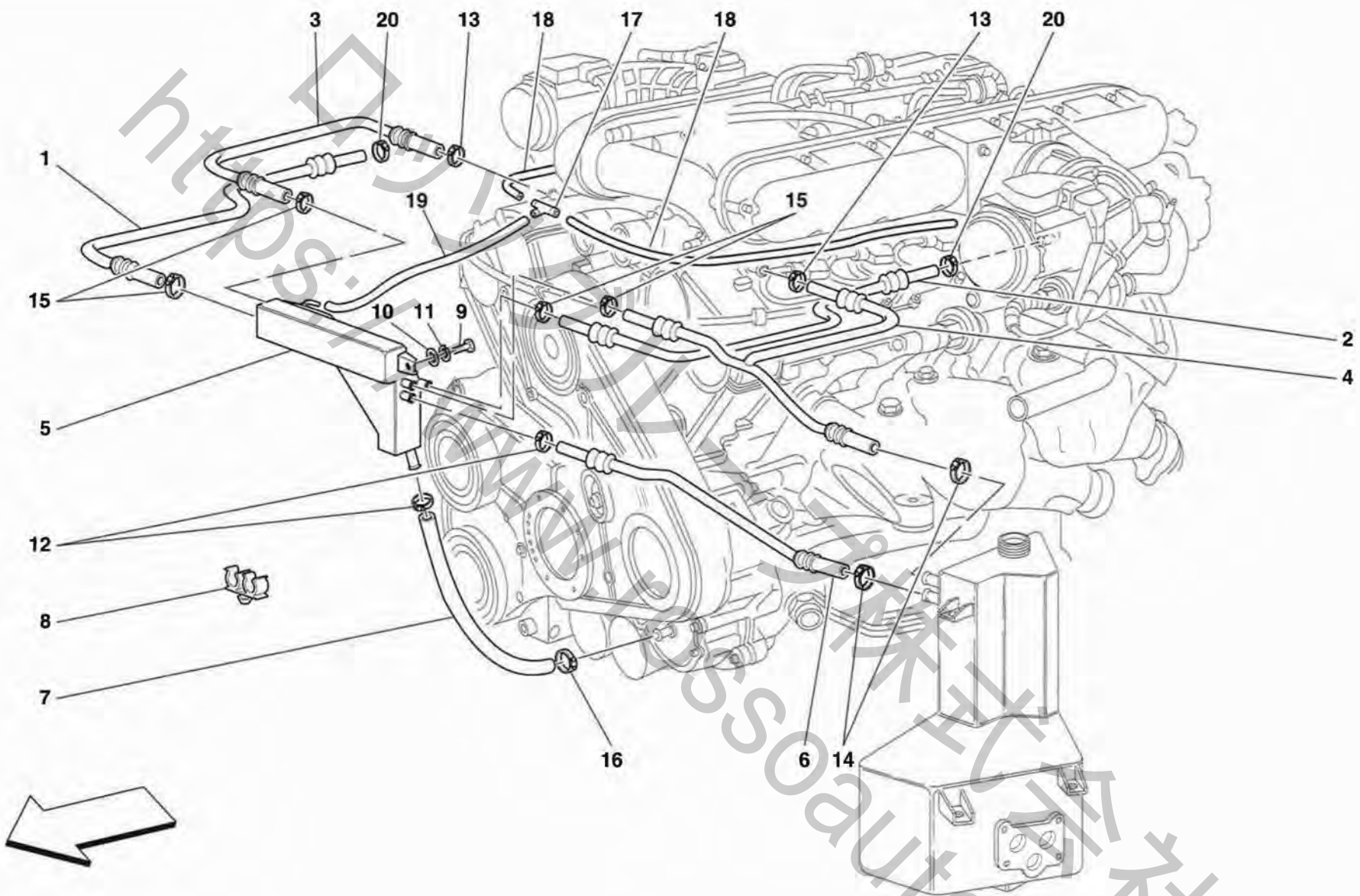
**IMPIANTO DI SCARICO**  
**EXHAUST SYSTEM**

**TAV. 19**

DATA: OTTOBRE '98



Rif	Dis.N° Part.N°	Q.ty	Denominazione	Description	Rif	Dis.N° Part.N°	Q.ty	Denominazione	Description
-	154367	1	COLLETTORE DI SCARICO POSTERIORE SX. -Vale per GD-	L.H. REAR EXHAUST MANIFOLD -Valid for GD-	45	14569480	2	MOLLETTA	CLIP
38	143408	12	GUARNIZIONE	GASKET	46	165170	2	SONDA LAMBDA POST. -Vale per vetture catalizzate-	REAR LAMBDA FEELER -Valid for catalyzed cars-
39	138392	24	DADO	NUT	47	169296	1	PROLUNGA DI SCARICO POST. DX. -Vale per 456M GTA-	R.H. REAR EXHAUST EXTENSION -Valid for 456M GTA-
40	14058519	8	DADO	NUT	48	170541	1	FASCETTA -Vale per 456M GTA-	CLAMP -Valid for 456M GTA-
41	153111	2	TERMOCOPPIA	THERMOCOUPLE	49	62790300	4	DADO	NUT
42	173533	2	CENTRALINA	CONTROL STATION	50	12642878	4	ROSETTA	WASHER
43	10902424	4	VITE	SCREW					
44	15896214	4	DADO	NUT					



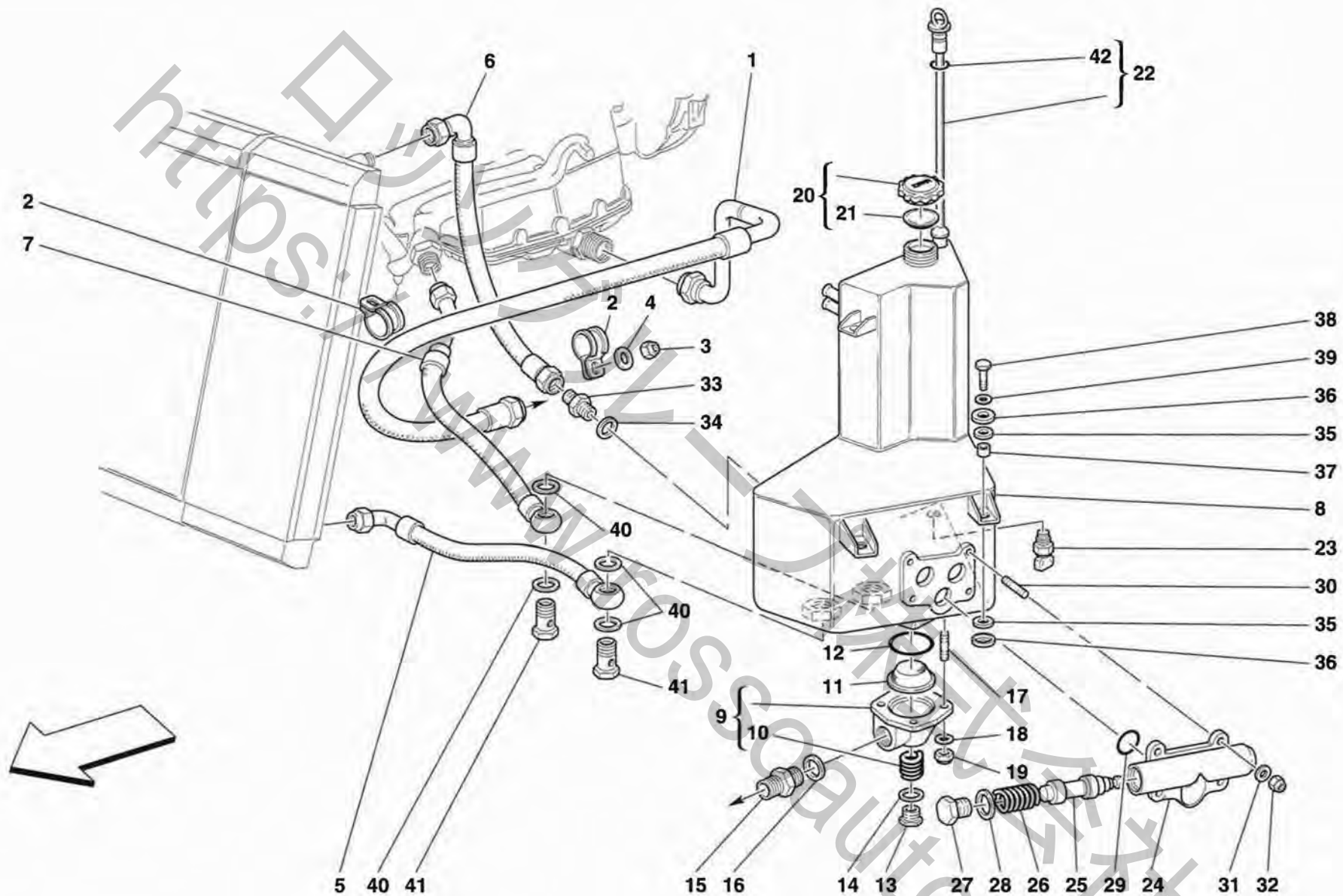
**456MGT/GTA**

*RICICLO VAPORI OLIO*  
*BLOW-BY SYSTEM*

**TAV. 20**

DATA: OTTOBRE '98

Rif	Dis.N° Part.N°	Q.ty	Denominazione	Description	Rif	Dis.N° Part.N°	Q.ty	Denominazione	Description
1	159832	1	TUBO DA CORPO SFIATO OLIO A MANICOTTO DX.	PIPE FROM OIL VENT BODY TO R.H. SLEEVE	7	156270	1	TUBO GOMMA	RUBBER HOSE
2	159833	1	TUBO DA CORPO SFIATO OLIO A MANICOTTO SX.	PIPE FROM OIL VENT BODY TO L.H. SLEEVE	8	145543	4	MOLLETTA	CLIP
3	155264	1	TUBO DA COPERCHIO TESTA DX. A CORPO SFIATO	PIPE FROM R.H. HEAD TO VENT BODY	9	10902024	2	VITE	SCREW
4	155265	1	TUBO DA COPERCHIO TESTA SX. A CORPO SFIATO	PIPE FROM L.H. HEAD TO VENT BODY	10	14499324	2	ROSETTA	WASHER
5	158018	1	CORPO SFIATO OLIO MOTORE	ENGINE OIL VENT BODY	11	12601274	2	ROSETTA	WASHER
6	155263	1	TUBO DA CORPO SFIATO A SERBATOIO OLIO	PIPE FROM VENT BODY TO OIL TANK	12	13000390	2	COLLARE A VITE	SCREW COLLAR
-	178593	1	TUBO DA CORPO SFIATO A SERBATOIO OLIO	PIPE FROM VENT BODY TO OIL TANK	13	13000190	4	COLLARE A VITE	SCREW COLLAR
			<b>-Vale fino</b> ad esaurimento-	<b>-Valid till</b> stock exhaustion-	14	161490	2	COLLARE A VITE	SCREW COLLAR
			<b>-Vale dopo</b> esaurimento del <b>155263-</b>	<b>-Valid after</b> stock exhaustion of <b>155263-</b>	15	13000190	4	COLLARE A VITE	SCREW COLLAR
					16	161490	1	COLLARE A VITE	SCREW COLLAR
					17	121793	1	RACCORDO A TRE VIE	3-WAY UNION
					18	124790	2	TUBO GOMMA	RUBBER HOSE
					19	115148	1	TUBO GOMMA	RUBBER HOSE
					20	161490	2	COLLARE A VITE	SCREW COLLAR



**456MGT/GTA**

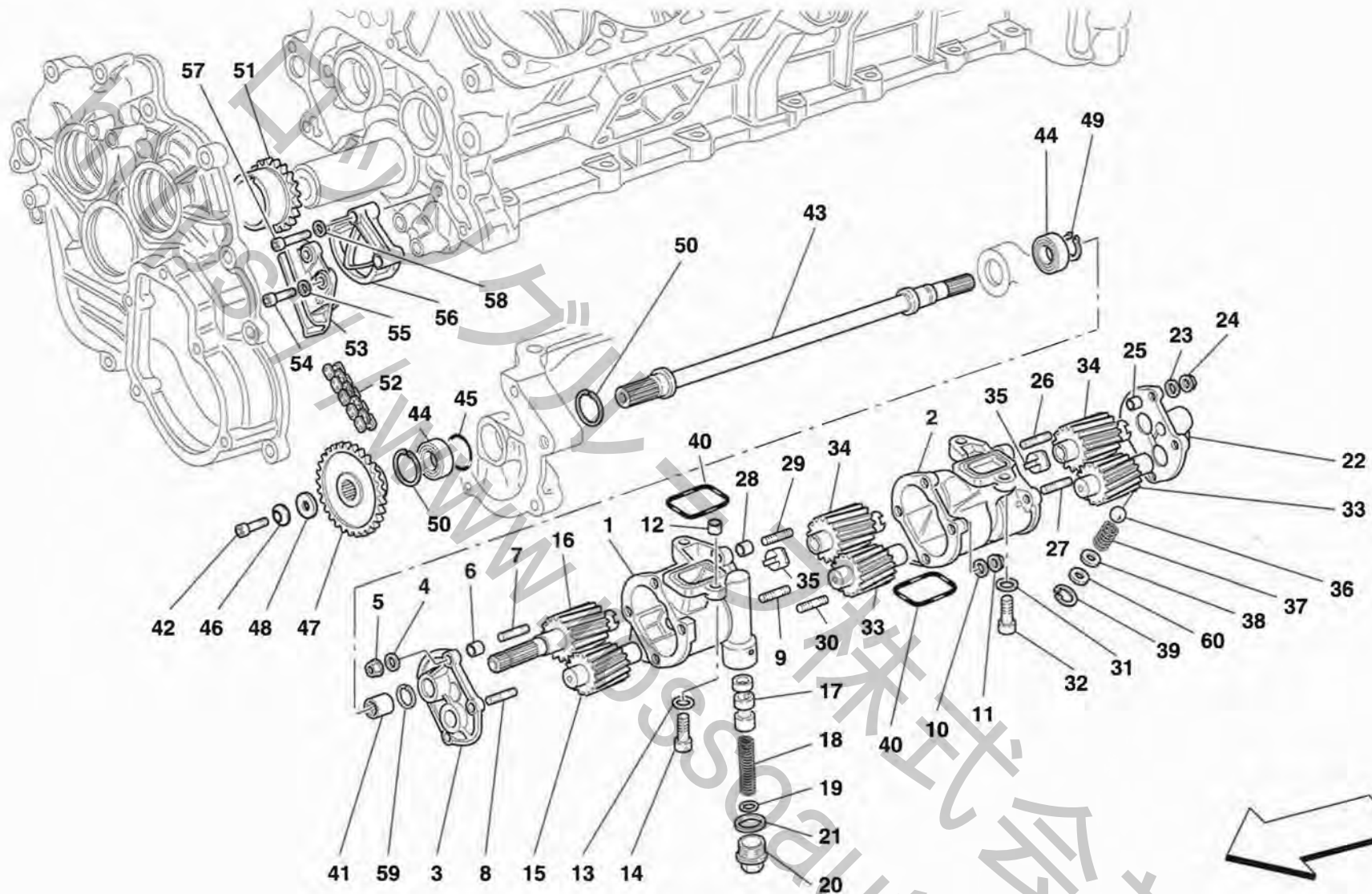
**IMPIANTO LUBRIFICAZIONE - SERBATOIO**  
**LUBRICATION SYSTEM - TANK**

**TAV. 21**

**DATA: OTTOBRE '98**



Rif	Dis.N° Part.N°	Q.ty	Denominazione	Description	Rif	Dis.N° Part.N°	Q.ty	Denominazione	Description
1	175259	1	TUBO OLIO DAL SERBATOIO AL MOTORE	HOSE FROM RESERVOIR TO ENGINE	20	175708	1	TAPPO COMPLETO	COMPLETE PLUG
2	106195	2	STAFFETTA CON GUAINA	BRACKET WITH SHEATH	21	175709	1	GUARNIZIONE	GASKET
3	102741	2	DADO	NUT	22	156667	1	ASTA LIVELLO OLIO	OIL LEVEL ROD
4	14496424	2	ROSETTA	WASHER	23	148676	1	TERMISTORE OLIO	OIL THERMISTOR
5	150011	1	TUBO DAL SERBATOIO AL RADIATORE	HOSE FROM RESERVOIR TO RADIATOR	24	160759	1	CORPO VALVOLA	VALVE BODY
6	157387	1	TUBO DAL RADIATORE AL SERBATOIO	HOSE FROM RADIATOR TO RESERVOIR	25	163951	1	VALVOLA TERMOSTATICA	THERMOSTAT VALVE
7	155569	1	TUBO DAL MOTORE AL SERBATOIO	HOSE FROM ENGINE TO RESERVOIR	26	136867	1	MOLLA	SPRING
8	175078	1	SERBATOIO OLIO	OIL TANK	27	136868	1	TAPPO	PLUG
9	151684	1	PESCANTE OLIO	OIL SUCTION FAN	28	10303460	1	GUARNIZIONE	GASKET
10	111352	1	INSERTO FILETTATO	THREADED INSERT	29	139934	3	GUARNIZIONE O.R.	O.R. GASKET
11	100332	1	FILTRO OLIO	OIL FILTER	30	13541024	4	PRIGIONIERO	STUD
12	125521	1	GUARNIZIONE O.R.	O.R. GASKET	31	10519424	4	ROSETTA	WASHER
13	10300711	1	TAPPO SCARICO OLIO	OIL OUTLET PLUG	32	102741	4	DADO	NUT
14	10257060	1	GUARNIZIONE	GASKET	33	138150	1	RACCORDO	UNION
15	138149	1	RACCORDO	UNION	34	144487	1	GUARNIZIONE	GASKET
16	144485	1	GUARNIZIONE	GASKET	35	107978	6	TAMPONE	PAD
17	11500424	4	PRIGIONIERO	STUD	36	107979	6	SCODELLINO	CUP
18	12601274	4	ROSETTA	WASHER	37	107980	3	DISTANZIALE	SPACER
19	102948	4	DADO	NUT	38	16043834	3	VITE	SCREW
					39	127496	3	ROSETTA	WASHER
					40	144487	4	GUARNIZIONE	GASKET
					41	129809	2	RACCORDO	UNION
					42	121813	1	GUARNIZIONE O.R.	O.R. GASKET



**456MGT/GTA**

LUBRIFICAZIONE - POMPE OLIO

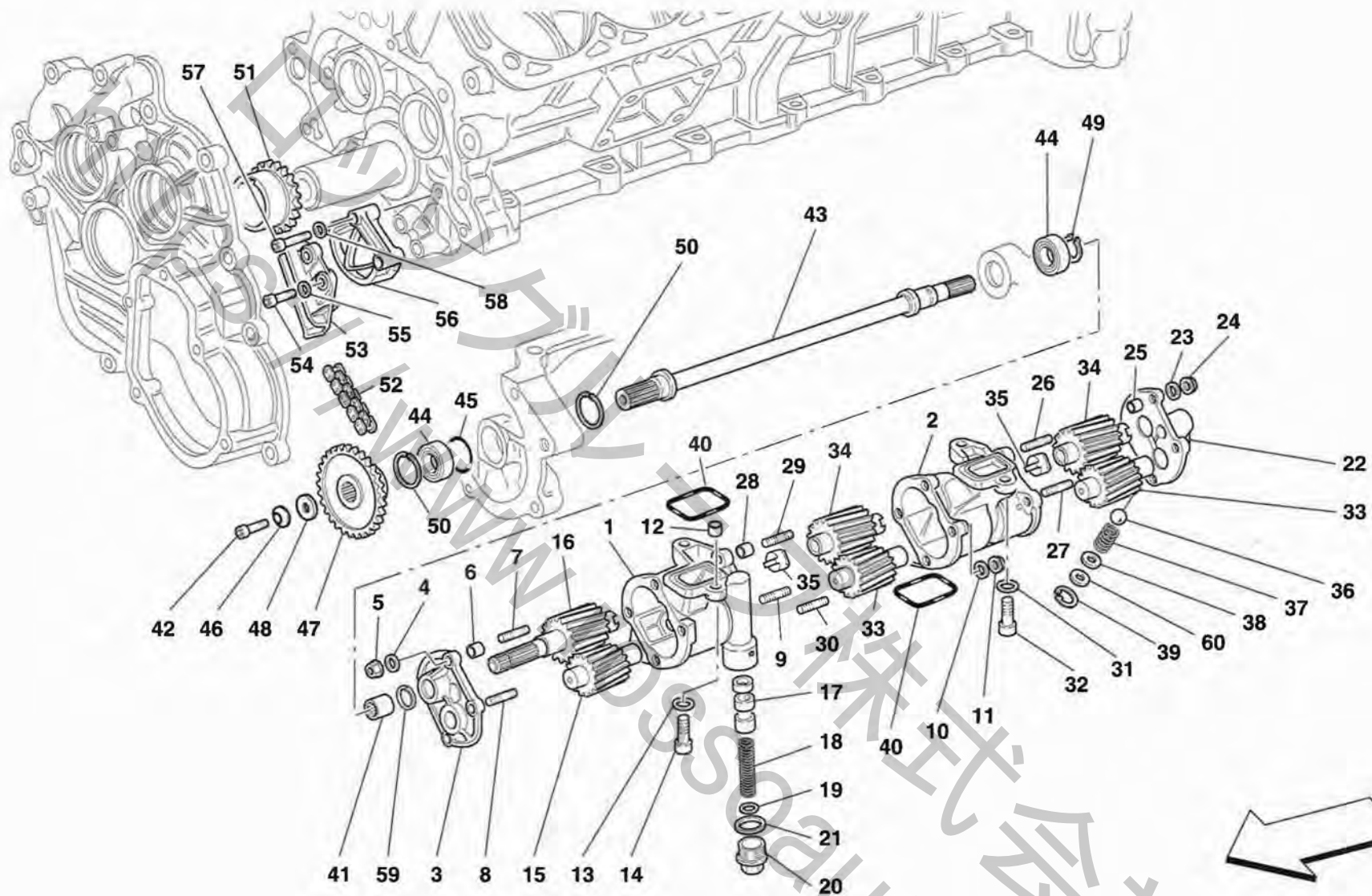
LUBRICATION - OIL PUMPS

TAV. 22

DATA: OTTOBRE '98

Rif	Dis.N° Part.N°	Q.ty	Denominazione	Description
-	153197	1	<b>CORPO POMPA MANDATA COMPLETO</b>	<b>COMPLETE DELIVERY PUMP BODY</b>
1	154575	1	CORPO POMPA MANDATA -Non a ricambio- -Con il corpo pompa mandata completo-	DELIVERY PUMP BODY -Not as spare part- -With complete delivery pump body-
-	153198	1	<b>CORPO POMPA RECUPERO COMPLETO</b>	<b>COMPLETE RECOVERY PUMP BODY</b>
2	154567	1	CORPO POMPA RECUPERO -Non a ricambio- -Con il corpo pompa mandata completo-	RECOVERY PUMP BODY -Not as spare part- -With complete delivery pump body-
3	141837	1	COPERCHIO POMPA MANDATA	COVER OF DELIVERY PUMP
4	11197774	4	ROSETTA	WASHER
5	134041	4	DADO	NUT
6	102725	2	GRANO CENTRAGGIO	CENTERING DOWEL
7	13541124	2	PRIGIONIERO	STUD
8	13540824	2	PRIGIONIERO	STUD
9	158169	1	PRIGIONIERO	STUD
10	153366	4	ROSETTA	WASHER
11	132877	4	DADO	NUT
12	102704	2	GRANO CENTRAGGIO	CENTERING DOWEL
13	11193874	2	ROSETTA	WASHER
14	14306524	2	VITE	SCREW
15	154518	1	INGRANAGGIO CONDOTTO	DRIVEN GEAR
16	154519	1	INGRANAGGIO CONDUTTORE	DRIVING GEAR
17	156950	1	PISTONCINO	PISTON
18	137614	1	MOLLA	SPRING
19	10519424	5	ROSETTA	WASHER
20	156143	1	TAPPO	PLUG
21	10257460	1	GUARNIZIONE	GASKET
22	141838	1	COPERCHIO POMPA RECUPERO	RECOVERY PUMP COVER
23	11197774	4	ROSETTA	WASHER
24	134041	4	DADO	NUT
25	102725	2	GRANO CENTRAGGIO	CENTERING DOWEL
26	13541124	2	PRIGIONIERO	STUD
27	13540824	2	PRIGIONIERO	STUD
28	102725	2	GRANO CENTRAGGIO	CENTERING DOWEL
29	13541224	2	PRIGIONIERO	STUD
30	13540924	1	PRIGIONIERO	STUD
31	11193874	2	ROSETTA	WASHER

Rif	Dis.N° Part.N°	Q.ty	Denominazione	Description
32	14306424	2	VITE	SCREW
33	154516	2	INGRANAGGIO CONDOTTO	DRIVEN GEAR
34	154517	2	INGRANAGGIO CONDUTTORE	DRIVING GEAR
35	109309	2	GIUNTO	COUPLING
36	121306	1	SFERA	BALL
37	109980	1	MOLLA PER SFERA	SPRING FOR BALL
38	132772	1	DISTANZIALE	SPACER
39	11057876	1	ANELLO SEEGER	SEEGER RING
40	154588	5	GUARNIZIONE O.R.	O.R. GASKET
41	141252	1	GIUNTO	COUPLING
42	14305224	1	VITE	SCREW
43	157042	1	ALBERINO	SHAFT
44	140915	2	CUSCINETTO	BEARING
45	140071	1	GUARNIZIONE	GASKET
46	11197774	1	ROSETTA	WASHER
47	157041	1	INGRANAGGIO CONDOTTO	DRIVEN GEAR
-	-	-	-No per 456M GTA-	-Not for 456M GTA-
-	163750	1	INGRANAGGIO CONDOTTO	DRIVEN GEAR
-	-	-	-Vale per 456M GTA-	-Valid for 456M GTA-
48	106744	1	ROSETTA	WASHER
49	11066576	1	ANELLO SEEGER	SEEGER RING
50	11058876	2	ANELLO SEEGER	SEEGER RING
51	154513	1	INGRANAGGIO CONDUTTORE	DRIVING GEAR
-	-	-	-No per 456M GTA-	-Not for 456M GTA-
-	141459	1	INGRANAGGIO CONDUTTORE	DRIVING GEAR
-	-	-	-Vale per 456M GTA-	-Valid for 456M GTA-
52	154515	1	CATENA COMANDO POMPA OLIO	OIL PUMP CONTROL CHAIN
-	-	-	-No per 456M GTA-	-Not for 456M GTA-
-	163753	1	CATENA COMANDO POMPA OLIO	OIL PUMP CONTROL CHAIN
-	-	-	-Vale per 456M GTA-	-Valid for 456M GTA-
53	154484	1	PATTINO GUIDACATENA	CHAIN TENSIONER
-	-	-	-No per 456M GTA-	-Not for 456M GTA-
-	141525	1	PATTINO GUIDACATENA	CHAIN TENSIONER
-	-	-	-Vale per 456M GTA-	-Valid for 456M GTA-
54	14306424	2	VITE	SCREW
55	14499401	2	ROSETTA	WASHER
56	154483	1	PATTINO FISSO	FIXED TENSIONER
-	-	-	-No per 456M GTA-	-Not for 456M GTA-
-	152536	1	PATTINO FISSO	FIXED TENSIONER
-	-	-	-Vale per 456M GTA-	-Valid for 456M GTA-
57	14305521	2	VITE	SCREW



**456MGT/GTA**

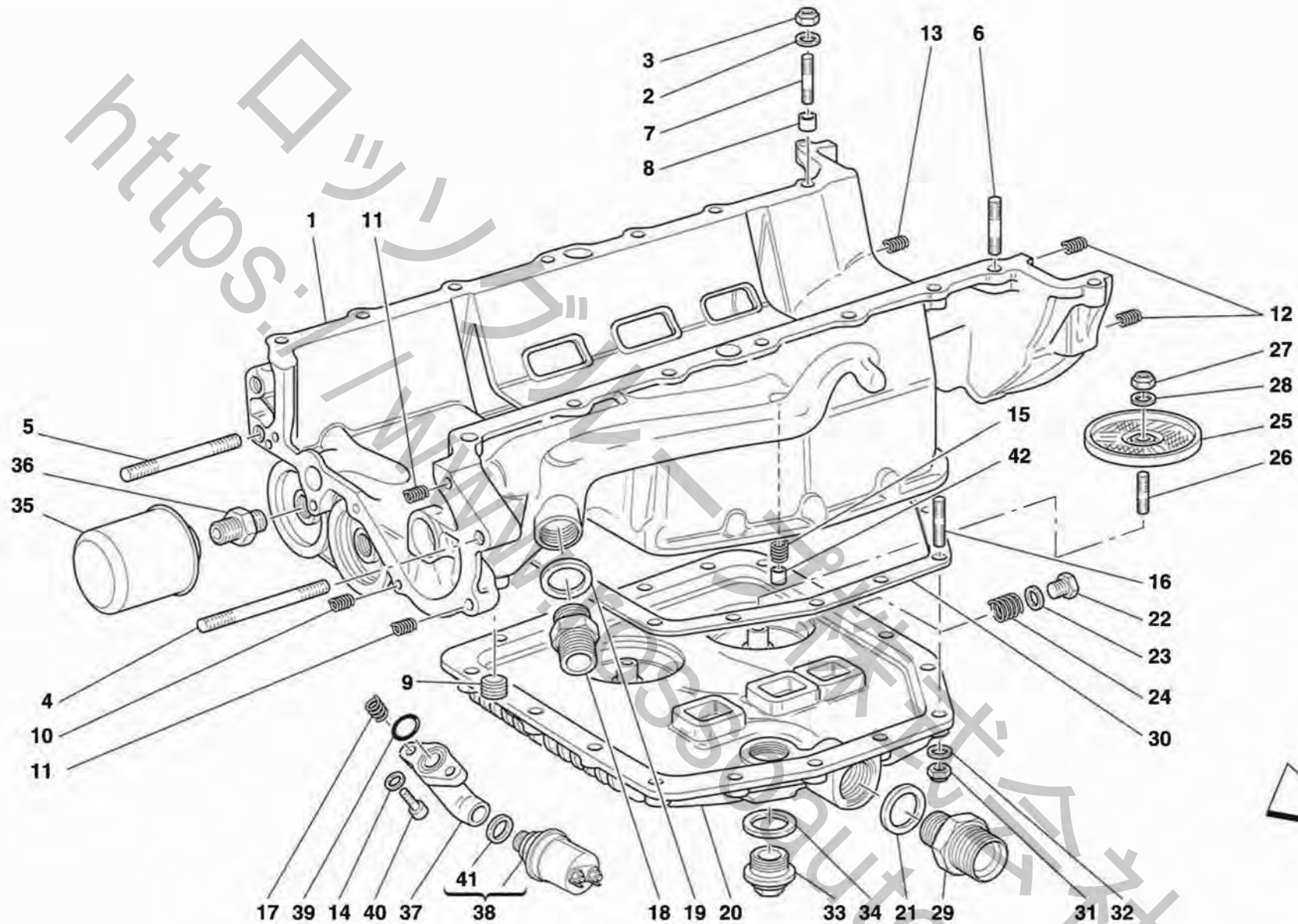
LUBRIFICAZIONE - POMPE OLIO  
 LUBRICATION - OIL PUMPS

TAV. 22

DATA: OTTOBRE '98



Rif	Dis.N° Part.N°	Q.ty	Denominazione	Description	Rif	Dis.N° Part.N°	Q.ty	Denominazione	Description
58	10569279	2	ROSETTA	WASHER	60	168180	1	ROSETTA	WASHER
59	11066376	2	ANELLO SEEGER	SEEGER RING				-Vale per 456M GTA-	-Valid for 456M GTA-



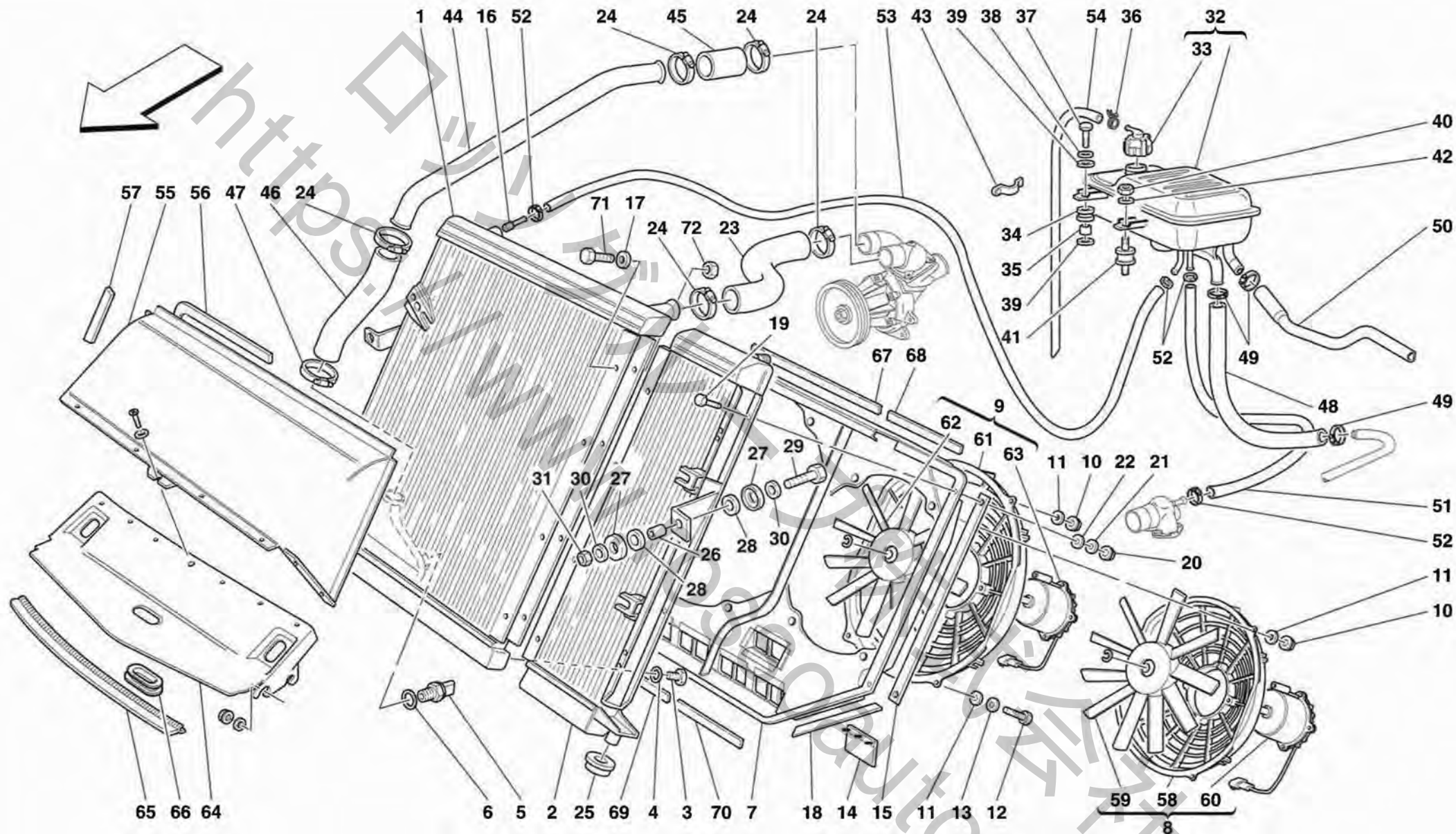
**456MGT/GTA**

*LUBRIFICAZIONE - COPPA OLIO E FILTRI*  
*LUBRICATION - OIL SUMPS AND FILTERS*

**TAV. 23**

DATA: OTTOBRE '98

Rif	Dis.N° Part.N°	Q.ty	Denominazione	Description	Rif	Dis.N° Part.N°	Q.ty	Denominazione	Description
-	178926	1	COPPA OLIO COMPLETA	COMPLETE OIL SUMP	21	144485	1	GUARNIZIONE	GASKET
1	157960	1	COPPA OLIO	OIL SUMP	22	153903	1	TAPPO SCARICO OLIO	OIL OUTLET PLUG
			-Non a ricambio-	-Not as spare part-	23	10280060	1	GUARNIZIONE	GASKET
			-Con la coppa olio completa-	-With complete oil sump-	24	13526570	1	INSERTO FILETTATO	THREADED INSERT
2	12601374	14	ROSETTA	WASHER	25	125308	2	FILTRO ASPIRAZIONE OLIO	OIL SUCTION FILTER
3	101139	14	DADO	NUT	26	13540724	2	PRIGIONIERO	STUD
4	13971134	1	PRIGIONIERO	STUD	27	15896214	2	DADO	NUT
5	153423	1	PRIGIONIERO	STUD	28	11197774	2	ROSETTA	WASHER
6	13543424	12	PRIGIONIERO	STUD	29	138149	1	RACCORDO	UNION
7	13543624	2	PRIGIONIERO	STUD	30	141960	1	GUARNIZIONE COPERCHIO	COVER GASKET
8	100041	2	GRANO	DOWEL	31	102741	16	DADO	NUT
9	10269850	2	TAPPO	PLUG	32	12601274	16	ROSETTA	WASHER
10	13525870	2	INSERTO FILETTATO	THREADED INSERT	33	156144	1	TAPPO FILETTATO	THREADED PLUG
11	13525570	4	INSERTO FILETTATO	THREADED INSERT	34	10303460	1	GUARNIZIONE	GASKET
12	13525870	4	INSERTO FILETTATO	THREADED INSERT	35	151323	2	CARTUCCIA FILTRO OLIO	OIL FILTER CARTRIDGE
13	13525570	3	INSERTO FILETTATO	THREADED INSERT	36	141707	2	RACCORDO	UNION
14	11197774	2	ROSETTA	WASHER	37	143866	1	SUPPORTO	SUPPORT
15	13525770	4	INSERTO FILETTATO	THREADED INSERT	38	135940	1	TRASMETTITORE DI PRESSIONE	OIL PRESSURE TRANSMITTER
16	13541224	16	PRIGIONIERO	STUD	39	132248	1	GUARNIZIONE O.R.	O.R. GASKET
17	13525470	2	INSERTO FILETTATO	THREADED INSERT	40	14305324	2	VITE	SCREW
18	145085	1	RACCORDO	UNION	41	10259960	1	GUARNIZIONE	GASKET
19	144485	1	GUARNIZIONE	GASKET	42	102704	2	GRANO CENTRAGGIO	CENTERING DOWEL
20	154602	1	COPERCHIO COPPA OLIO	SUMP COVER					



**456MGT/GTA**

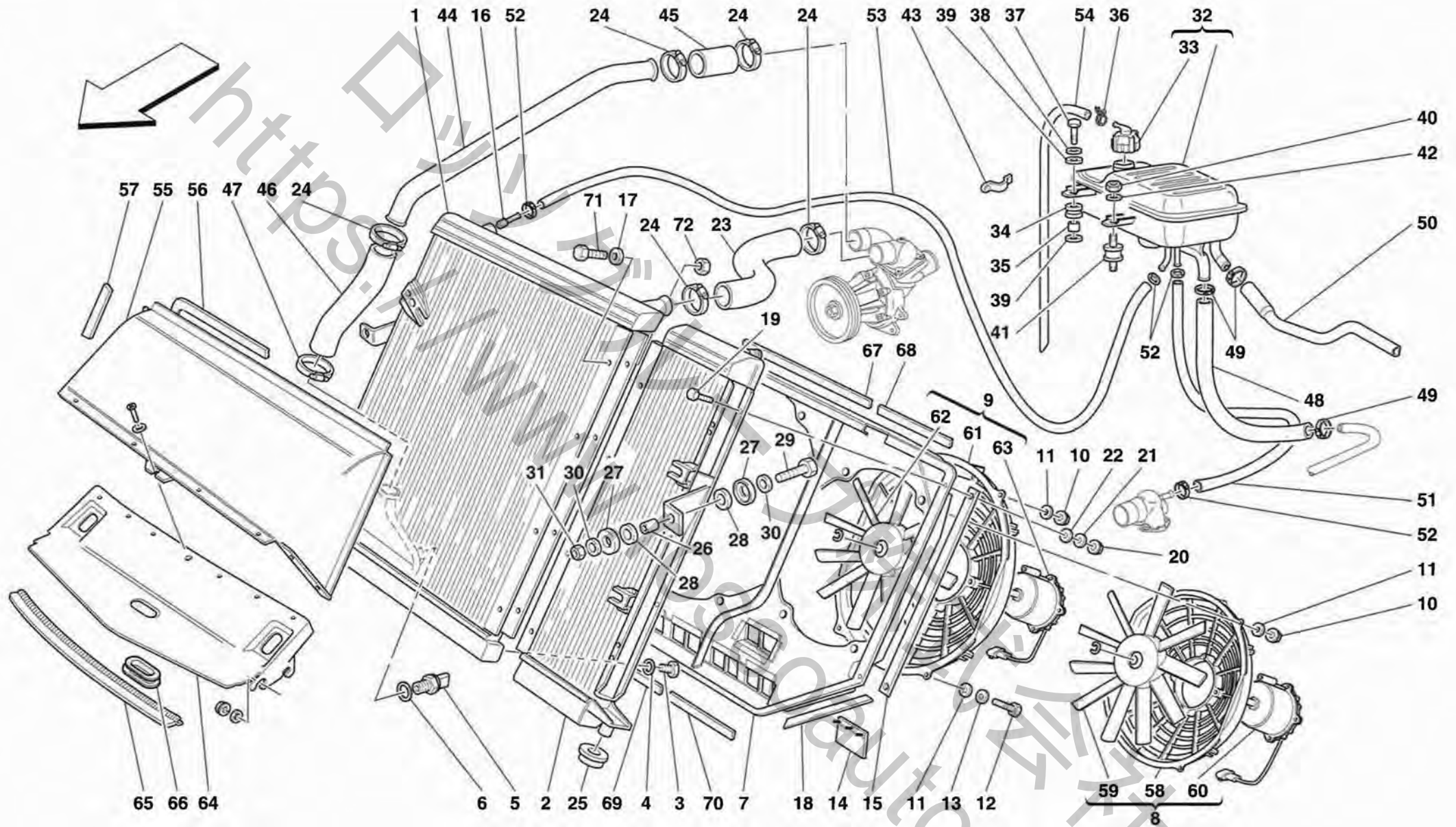
**IMPIANTO DI RAFFREDDAMENTO - RADIATORE E NOURICE**  
**COOLING SYSTEM - RADIATOR AND NOURICE**

**TAV. 24**

DATA: OTTOBRE '98



Rif	Dis.N° Part.N°	Q.ty	Denominazione	Description	Rif	Dis.N° Part.N°	Q.ty	Denominazione	Description
1	165599	1	RADIATORE ACQUA	WATER RADIATOR	35	149707	2	DISTANZIALE	SPACER
2	164616	1	RADIATORE OLIO	OIL RADIATOR	36	13423171	1	COLLARE ELASTICO	ELASTIC COLLAR
3	170828	1	TAPPO FILETTATO	THREADED PLUG	37	10902624	2	VITE	SCREW
4	100317	1	GUARNIZIONE O.R.	O.R. GASKET	38	127494	2	ROSETTA	WASHER
5	158655	1	TERMOCONTATTO	TEMPERATURE SWITCH	39	12643724	2	ROSETTA	WASHER
6	101508	1	GUARNIZIONE	GASKET	40	102948	1	DADO	NUT
7	154533	1	CAPPA PER ELETTROVENTILATORI	HOOD FOR ELECTROFANS	41	102947	1	TAMPONE	PAD
8	155063	1	ELETTROVENTILATORE COMPLETO SX.	L.H. COMPLETE ELECTROFAN	42	12643724	1	ROSETTA	WASHER
9	155064	1	ELETTROVENTILATORE COMPLETO DX.	R.H. COMPLETE ELECTROFAN	43	156083	1	MOLLETTA DI FISSAGGIO	FIXING CLIP
10	14058311	6	DADO	NUT	44	155605	1	TUBO RITORNO ACQUA	WATER RETURN PIPE
11	12637824	8	ROSETTA	WASHER	45	155607	1	MANICOTTO	SLEEVE
12	10977824	2	VITE	SCREW	-	178722	1	MANICOTTO	SLEEVE
13	10571470	2	ROSETTA	WASHER	-			-Vale fino ad esaurimento-	-Valid till stock exhaustion-
14	155441	5	BANDELLA	STRAP	-			-Vale dopo esaurimento del 155607-	-Valid after stock exhaustion of 155607-
15	155487	1	GUARNIZIONE VERTICALE SX.	L.H. VERTICAL GASKET	46	155606	1	TUBO GOMMA RITORNO ACQUA	WATER RETURN RUBBER PIPE
-	155488	1	GUARNIZIONE VERTICALE DX.	R.H. VERTICAL GASKET	-	175643	1	TUBO GOMMA RITORNO ACQUA	WATER RETURN RUBBER PIPE
16	157160	1	RACCORDO	UNION	-			-Vale dopo esaurimento del 155606-	-Valid after stock exhaustion of 155606-
17	13577701	8	ROSETTA	WASHER	47	13000690	1	COLLARE A VITE	SCREW COLLAR
18	155491	1	GUARNIZIONE SX.	L.H. GASKET	48	155616	1	TUBO GOMMA DA NOURICE A MOTORE	RUBBER PIPE FROM EXPANSION TANK TO ENGINE
-	165482	1	GUARNIZIONE DX.	R.H. GASKET	49	13000490	3	COLLARE A VITE	SCREW COLLAR
19	155239	4	VITE	SCREW	50	65674500	1	TUBO RITORNO DA VALVOLA A NOURICE	RETURN TUBE FROM VALVE TO NOURICE
20	15896214	4	DADO	NUT	-	65618300	1	TUBO RITORNO DA VALVOLA A NOURICE	RETURN TUBE FROM VALVE TO NOURICE
21	127494	4	ROSETTA	WASHER	-			-Vale per GD-	-Valid for GD-
22	14496424	4	ROSETTA	WASHER	51	155618	1	TUBO SFIATO DA TESTE A NOURICE	VENT PIPE FROM HEADS TO EXPANSION TANK
23	177887	1	TUBO GOMMA MANDATA ACQUA	DELIVERY WATER RUBBER PIPE	-	157744	1	TUBO SFIATO DA TESTE A NOURICE	VENT PIPE FROM HEADS TO EXPANSION TANK
24	13000690	5	COLLARE A VITE	SCREW COLLAR	-			-Vale per GD-	-Valid for GD-
25	138926	2	GOMMINO PER PERNO	RUBBER FOR PIN	52	13000190	4	COLLARE A VITE	SCREW COLLAR
26	155395	2	DISTANZIALE	SPACER	53	155619	1	TUBO SFIATO DA RADIATORE A NOURICE	VENT PIPE FROM RADIATOR TO EXPANSION TANK
27	107979	4	SCODELLINO	CUP	-			-No per GD-	-Not for GD-
28	107978	4	TAMPONE	PAD	-			-Vale per GD-	-Valid for GD-
29	16044034	2	VITE	SCREW	-			-No per GD-	-Not for GD-
30	116413	6	ROSETTA	WASHER	-			-Vale per GD-	-Valid for GD-
31	14058511	2	DADO	NUT	-			-No per GD-	-Not for GD-
32	171974	1	NOURICE COMPLETO	COMPLETE WATER CANISTER	-			-Vale per GD-	-Valid for GD-
-	171327	1	NOURICE COMPLETO	COMPLETE WATER CANISTER	-			-No per GD-	-Not for GD-
33	145030	1	TAPPO PER NOURICE	TANK PLUG	-			-Vale per GD-	-Valid for GD-
34	103549	2	ANELLO DI GOMMA	RUBBER RING	-			-No per GD-	-Not for GD-



**456MGT/GTA**

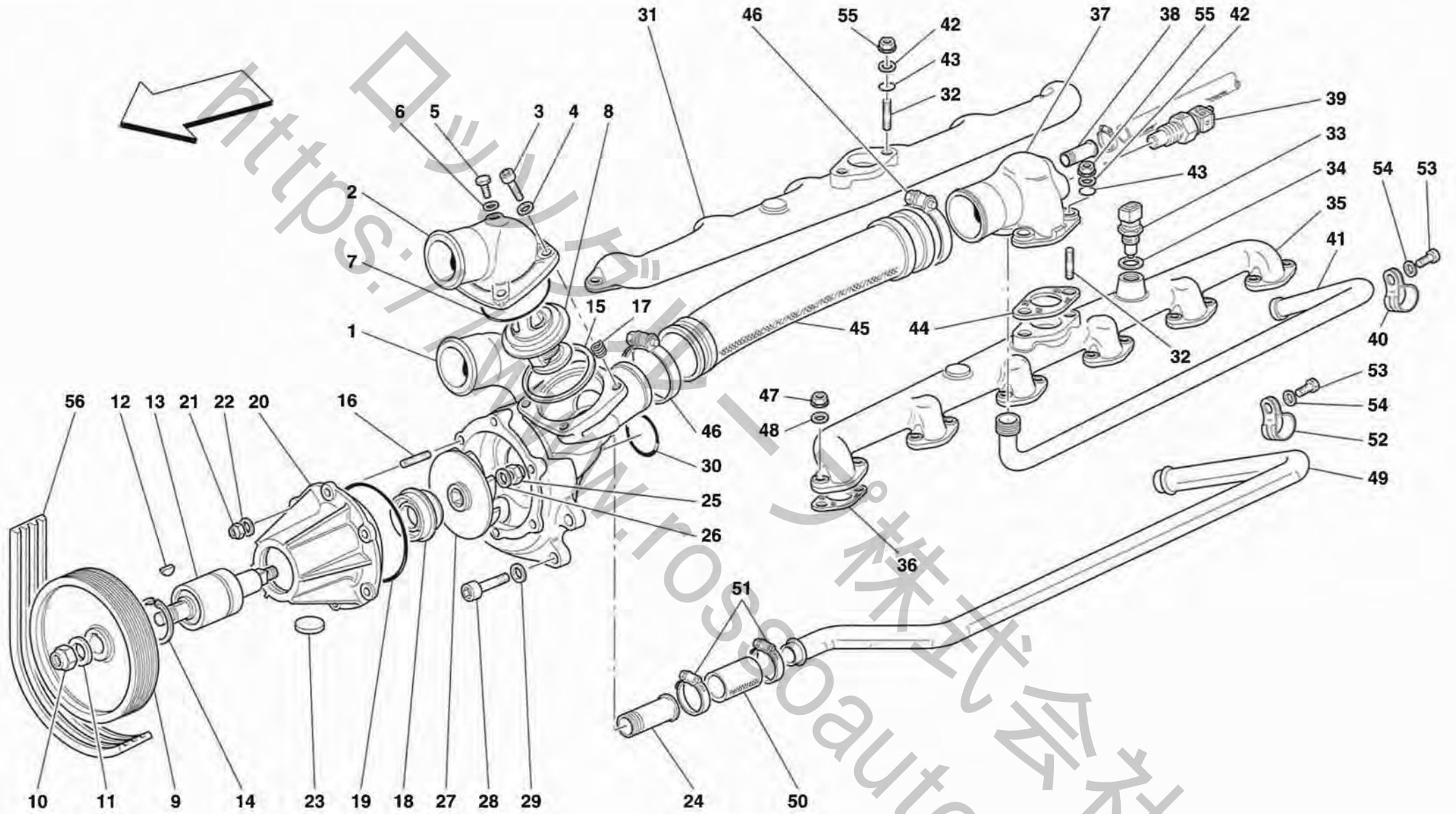
**IMPIANTO DI RAFFREDDAMENTO - RADIATORE E NOURICE**  
**COOLING SYSTEM - RADIATOR AND NOURICE**

**TAV. 24**

DATA: OTTOBRE '98

Rif	Dis.N° Part.N°	Q.ty	Denominazione	Description
-	157746	1	TUBO SFIATO DA RADIATORE A NOURICE -Vale per GD-	VENT PIPE FROM RADIATOR TO EXPANSION TANK -Valid for GD-
54	156082	1	TUBO SFIATO	VENT PIPE
55	63132400	1	CONVOGLIATORE ARIA	AIR CONVEYOR
56	65570400	1	GUARNIZIONE	GASKET
57	62799900	2	GUARNIZIONE	GASKET
58	152912	1	CONVOGLIATORE ARIA SX.	L.H. AIR INLET
59	152922	1	VENTOLA	BLOWER
60	153169	1	MOTORINO	MOTOR
61	152920	1	CONVOGLIATORE ARIA DX.	R.H. AIR INLET
62	153045	1	VENTOLA	BLOWER

Rif	Dis.N° Part.N°	Q.ty	Denominazione	Description
63	153174	1	MOTORINO	MOTOR
64	65467300	1	PARETE SUPERIORE CONVOGLIATORE	CONVEYOR UPPER PANEL
65	64328900	1	GUARNIZIONE ANTERIORE	FRONT GASKET
66	62797700	1	TAPPO	PLUG
67	165480	1	GUARNIZIONE SUPERIORE DX.	R.H. UPPER GASKET
68	165476	1	GUARNIZIONE SUPERIORE SX.	L.H. UPPER GASKET
69	165481	1	GUARNIZIONE INFERIORE DX.	R.H. LOWER GASKET
70	165479	1	GUARNIZIONE INFERIORE SX.	L.H. LOWER GASKET
71	15201024	4	VITE	SCREW
72	14058311	4	DADO	NUT



**456MGT/GTA**

**POMPA ACQUA**  
**WATER PUMP**

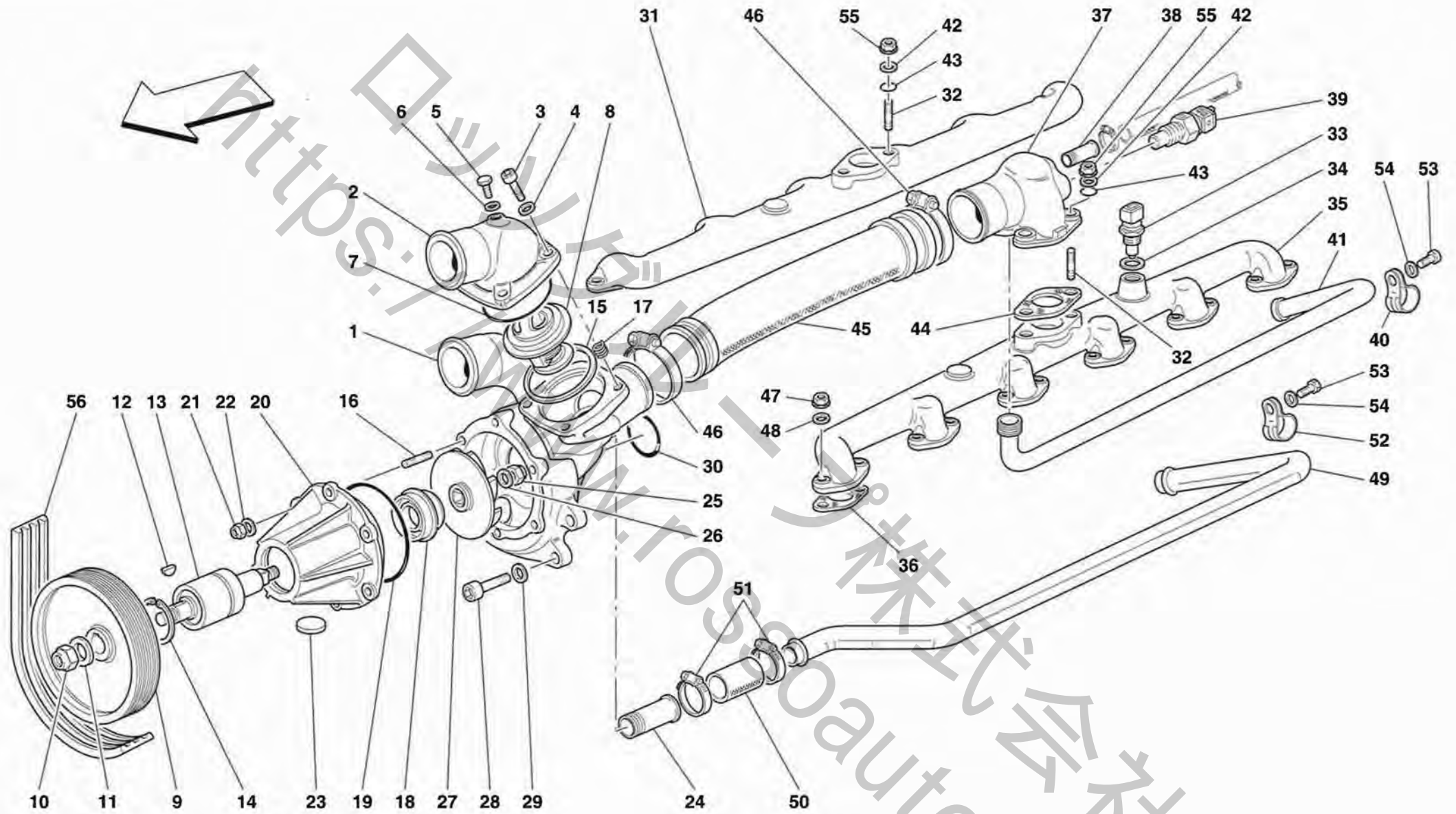
**TAV. 25**

DATA: OTTOBRE '98



Rif	Dis.N° Part.N°	Q.ty	Denominazione	Description
-	164114	1	<b>POMPA ACQUA COMPLETA</b> -No per 456M GTA-	<b>COMPLETE WATER PUMP</b> -Not for 456M GTA-
-	169923	1	<b>POMPA ACQUA COMPLETA</b> -Vale per 456M GTA-	<b>COMPLETE WATER PUMP</b> -Valid for 456M GTA-
1	153199	1	CORPO POMPA ACQUA COMPLETO DI PRIGIONIERI	WATER PUMP BODY COMPLETED WITH STUDS
-	156081	1	CORPO POMPA ACQUA -Non a ricambio- -Con il corpo pompa completo-	WATER PUMP BODY -Not as spare part- -With complete pump body-
2	163952	1	COPERCHIO VALVOLA THERMOSTATICA	THERMOSTATIC VALVE COVER
3	14432224	4	VITE	SCREW
4	12601274	4	ROSETTA	WASHER
5	130282	1	RACCORDO	UNION
6	10297760	1	GUARNIZIONE	GASKET
7	149279	1	GUARNIZIONE O.R.	O.R. GASKET
8	167473	1	TERMOSTATO	THERMOSTAT
9	166454	1	PULEGGIA -No per 456M GTA-	PULLEY -Not for 456M GTA-
-	169924	1	PULEGGIA -Vale per 456M GTA-	PULLEY -Valid for 456M GTA-
10	102742	1	DADO	NUT
11	12646824	1	ROSETTA	WASHER
12	10202320	1	LINGUETTA A DISCO	DISC KEY
13	143742	1	CUSCINETTO CON ALBERINO	BEARING WITH SHAFT
14	11059976	1	ANELLO SEEGER	SEEGER RING
15	137873	1	GUARNIZIONE	GASKET
16	13540924	6	PRIGIONIERO	STUD
17	13525470	4	INSERTO FILETTATO	THREADED INSERT
18	130932	1	ANELLO DI TENUTA	SEAL RING
19	137868	1	GUARNIZIONE O.R.	O.R. GASKET
20	154546	1	COPERCHIO POMPA ACQUA	WATER PUMP COVER
21	102741	6	DADO	NUT
22	12601274	6	ROSETTA	WASHER
23	10158801	1	TAPPO AD ESPANSIONE	PLUG
24	141068	1	RACCORDO	UNION
25	100436	1	DADO CIECO	CAP NUT
26	11194074	1	ROSETTA	WASHER
27	154542	1	GIRANTE POMPA ACQUA	WATER PUMP IMPELLER
28	14306424	4	VITE	SCREW
29	11193874	4	ROSETTA	WASHER

Rif	Dis.N° Part.N°	Q.ty	Denominazione	Description
30	141250	1	GUARNIZIONE O.R.	O.R. GASKET
31	162609	1	COLLETTORE ACQUA TESTA DX.	R.H. HEAD WATER MANIFOLD
32	13516724	4	PRIGIONIERO	STUD
33	125769	1	SENSORE DI TEMPERATURA ACQUA	WATER TEMPERATURE SENSOR
34	10298460	1	GUARNIZIONE	GASKET
35	143323	1	COLLETTORE ACQUA TESTA SX.	L.H. HEAD WATER MANIFOLD
36	141332	12	GUARNIZIONE	GASKET
37	154198	1	CONDOTTO COLLEGAMENTO COLLETTORI USCITA ACQUA	WATER OUTLET MANIFOLD CONNECTION DUCT
38	155093	1	RACCORDO	UNION
39	148677	1	TRASMETTITORE TEMPERATURA ACQUA	WATER TEMPERATURE TRANSMITTER
40	145661	2	STAFFETTA	BRACKET
41	160554	1	TUBO DA CONDOTTO -No per GD-	PIPE FROM DUCT -Not for GD-
-	160831	1	TUBO DA CONDOTTO -Vale per GD-	PIPE FROM DUCT -Valid for GD-
42	12601374	4	ROSETTA	WASHER
43	103039	4	GUARNIZIONE O.R.	O.R. GASKET
44	142103	2	GUARNIZIONE	GASKET
45	154480	1	MANICOTTO COLLEGAMENTO USCITA ACQUA	CONNECTION SLEEVE FOR WATER OUTLET
46	178203	2	COLLARE A VITE	SCREW COLLAR
47	132877	24	DADO	NUT
48	12604274	24	ROSETTA	WASHER
49	154716	1	TUBO COLLEG. POMPA ACQUA E NUORICE -No per GD-	PIPE CONNECTING WATER PUMP AND NUORICE -Not for GD-
-	160833	1	TUBO COLLEG. POMPA ACQUA E NUORICE -Vale per GD-	PIPE CONNECTING WATER PUMP AND NUORICE -Valid for GD-
50	122842	1	TUBO GOMMA	RUBBER HOSE
51	13000490	2	COLLARE A VITE	SCREW COLLAR
52	10450490	1	STAFFETTA CON GUAINA -D. 16-	BRACKET WITH SHEATH -D. 16-
-	10450690	1	STAFFETTA CON GUAINA -D. 20-	BRACKET WITH SHEATH -D. 20-
53	16043224	2	VITE	SCREW
54	127496	2	ROSETTA	WASHER
55	101139	4	DADO	NUT



**456MGT/GTA**

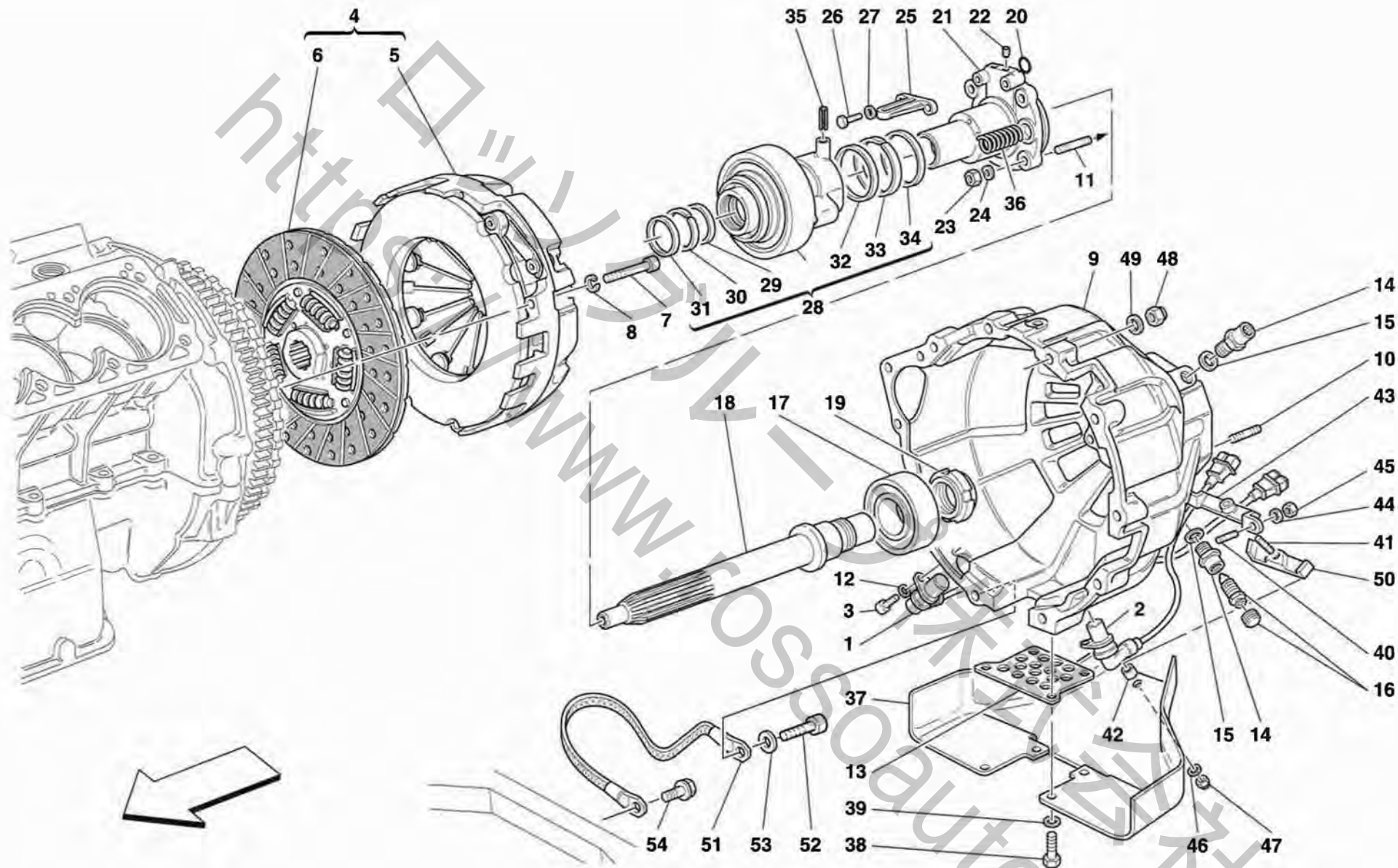
**POMPA ACQUA**  
**WATER PUMP**

**TAV. 25**

DATA: OTTOBRE '98

Rif	Dis.N° Part.N°	Q.ty	Denominazione	Description
56	166453	1	CINGHIA POMPA ACQUA E IDROGUIDA -No per 456M GTA-	WATER AND HYDRAULIC STEERING PUMP BELT -Not for 456M GTA-

Rif	Dis.N° Part.N°	Q.ty	Denominazione	Description
-	169926	1	CINGHIA POMPA ACQUA E IDROGUIDA -Vale per 456M GTA-	WATER AND HYDRAULIC STEERING PUMP BELT -Valid for 456M GTA-



**456MGT/GTA**

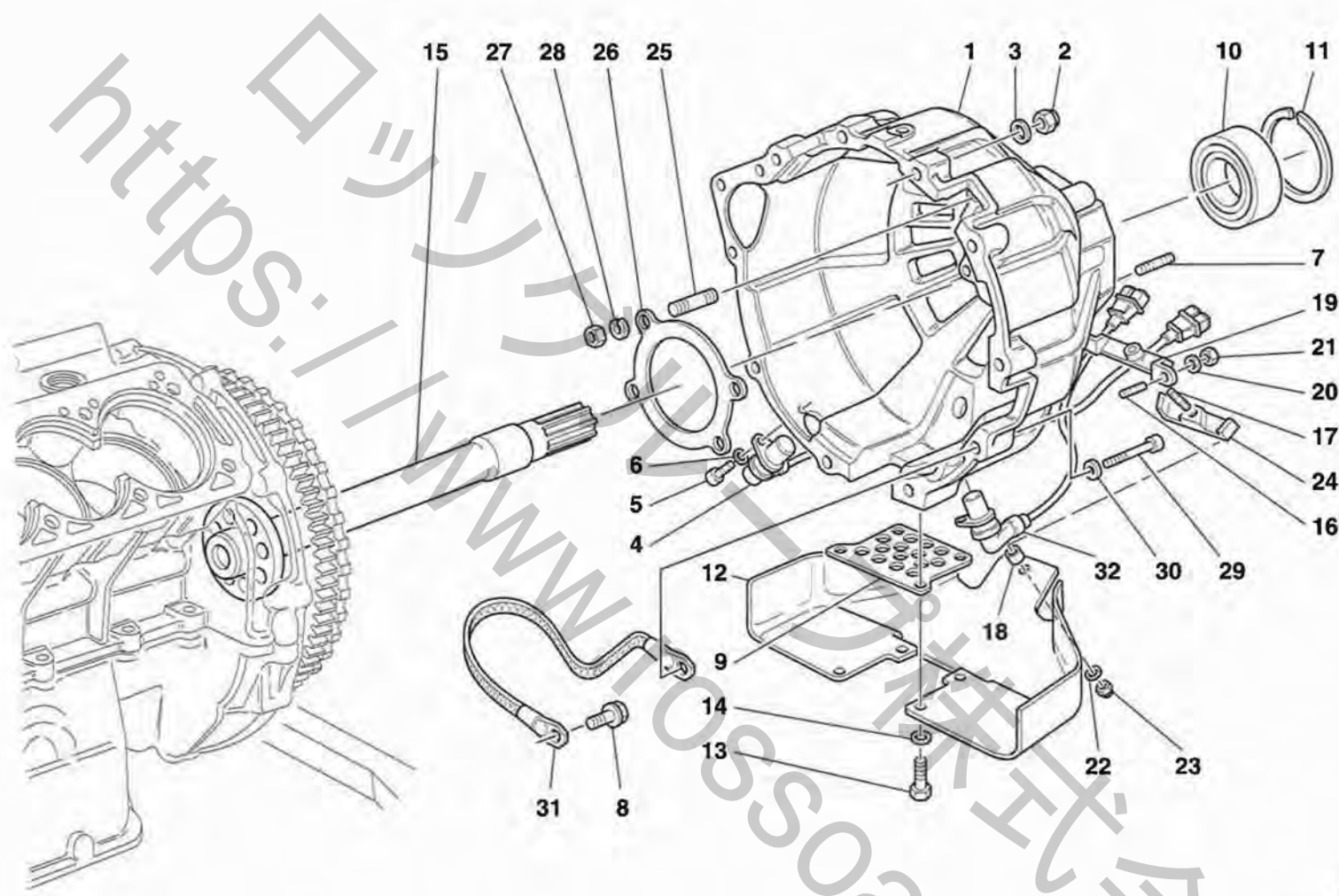
*FRIZIONE - COMANDI - No per 456M GTA-*  
*CLUTCH - CONTROLS - Not for 456M GTA-*

**TAV. 26**

DATA: OTTOBRE '98



Rif	Dis.N° Part.N°	Q.ty	Denominazione	Description	Rif	Dis.N° Part.N°	Q.ty	Denominazione	Description
1	164082	1	SENSORE VELOCITA' ANGOLARE BANCATA DX.	R.H. SIDE ANGULAR SPEED SENSOR	25	151693	1	PIASTRINA	PLATE
2	164083	1	SENSORE VELOCITA' ANGOLARE BANCATA SX.	L.H. SIDE ANGULAR SPEED SENSOR	26	10977524	2	VITE	SCREW
3	14305124	2	VITE	SCREW	27	127493	2	ROSETTA	WASHER
4	153724	1	<b>FRIZIONE COMPLETA</b>	<b>COMPLETE CLUTCH</b>	28	177202	1	CUSCINETTO REGGISPINTA COMPLETO	COMPLETE THRUST BEARING
5	157030	1	PIATTO SPINGIDISCO	PRESSURE PLATE	29	154505	1	ANELLO DI TENUTA	SEAL RING
6	153721	1	DISCO FRIZIONE	CLUTCH DISC	30	154504	1	ANELLO	RING
7	14305934	9	VITE	SCREW	31	154550	1	ANELLO RASCHIATORE	SCRAPER RING
8	127494	9	ROSETTA	WASHER	32	154508	1	ANELLO DI TENUTA	SEAL RING
-	153201	1	<b>CAMPANA FRIZIONE COMPLETA</b>	<b>COMPLETE CLUTCH HOUSING</b>	33	154507	1	ANELLO	RING
9	151317	1	CAMPANA FRIZIONE -Non a ricambio- -Con la campana frizione completa-	CLUTCH HOUSING -Not as spare part- -With complete clutch housing-	34	154551	1	ANELLO RASCHIATORE	SCRAPER RING
10	13546334	8	PRIGIONIERO	STUD	35	13904970	1	SPINA ELASTICA	FLEXIBLE PIN
11	13543124	4	PRIGIONIERO	STUD	36	155207	2	MOLLA PRECARICO	PRELOAD SPRING
12	12601274	2	ROSETTA	WASHER	37	154485	1	PARATIA PROTEZIONE SENSORI DI FASE	SHIELD FOR FASE SENSOR PROTECTION
13	144441	1	COPERCHIETTO CAMPANA FRIZIONE	CLUTCH HOUSING COVER	38	10977824	4	VITE	SCREW
14	126496	2	RACCORDO	UNION	39	12601174	4	ROSETTA	WASHER
15	10257060	2	GUARNIZIONE	GASKET	40	13540824	2	PRIGIONIERO	STUD
16	121699	1	VITE DI SPURGO	BLEEDER SCREW	41	155177	1	PRIGIONIERO	STUD
17	145805	1	CUSCINETTO	BEARING	42	155175	1	DISTANZIALE	SPACER
18	154601	1	ALBERO FRIZIONE	CLUTCH SHAFT	43	154464	1	SUPPORTO	SUPPORT
19	153000	1	GHIERA	RING NUT	44	12639724	2	ROSETTA	WASHER
20	121813	2	GUARNIZIONE	GASKET	45	102741	2	DADO	NUT
21	174938	1	FLANGIA CON MANICOTTO -No per USA, CDN e GD-	FLANGE WITH SLEEVE -Not for USA, CDN and GD-	46	11199274	1	ROSETTA	WASHER
-	154557	1	FLANGIA CON MANICOTTO -Vale per USA, CDN e GD-	FLANGE WITH SLEEVE -Valid for USA, CDN and GD-	47	15896470	1	DADO	NUT
22	10267550	2	TAPPO FILETTATO	THREADED PLUG	48	16100814	5	DADO	NUT
23	133989	4	DADO	NUT	49	12601374	5	ROSETTA	WASHER
24	127496	4	ROSETTA	WASHER	50	146654	1	SUPPORTO	SUPPORT
					51	155918	1	TRECCIA MASSA MOTORE	CABLE FOR ENGINE
					52	14306824	4	VITE	SCREW
					53	11193874	4	ROSETTA	WASHER
					54	16296421	1	VITE	SCREW



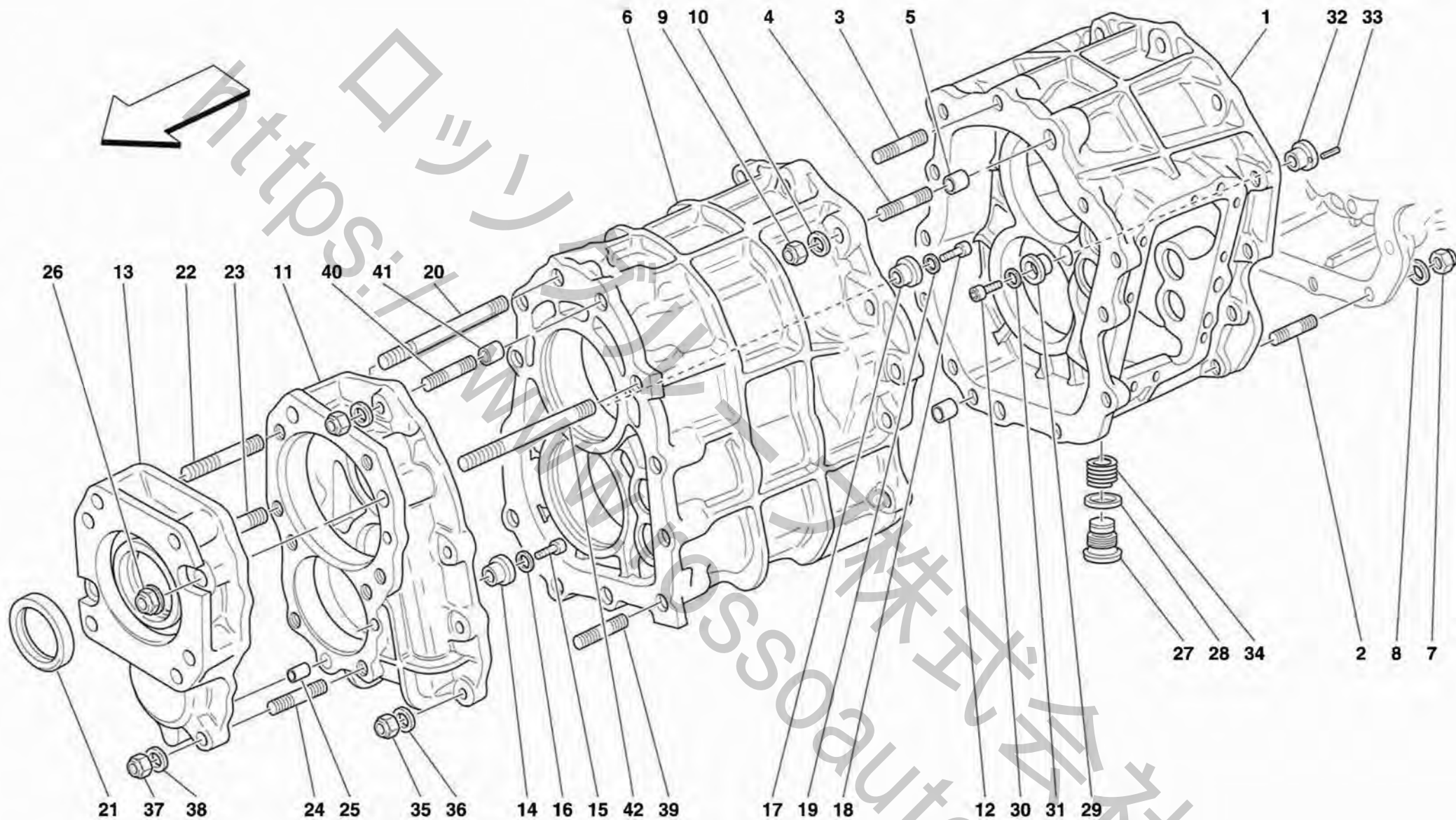
**456MGT/GTA**

**CAMPANA FRIZIONE -Vale per 456M GTA-**  
**CLUTCH HOUSING -Valid for 456M GTA-**

**TAV. 27**

**DATA: OTTOBRE '98**

Rif	Dis.N° Part.N°	Q.ty	Denominazione	Description	Rif	Dis.N° Part.N°	Q.ty	Denominazione	Description
-	178870	1	CAMPANA FRIZIONE COMPLETA	COMPLETE CLUTCH HOUSING	16	13540824	2	PRIGIONIERO	STUD
1	174467	1	CAMPANA FRIZIONE	CLUTCH HOUSING	17	155177	1	PRIGIONIERO	STUD
			-Non a ricambio-	-Not as spare part-	18	155175	1	DISTANZIALE	SPACER
			-Con la campana frizione completa-	-With the complete clutch housing-	19	154464	1	SUPPORTO	SUPPORT
2	16100814	9	DADO	NUT	20	12639724	2	ROSETTA	WASHER
3	12601374	9	ROSETTA	WASHER	21	102741	2	DADO	NUT
4	164082	1	SENSORE VELOCITA' ANGOLARE BANCATA DX.	R.H. SIDE ANGULAR SPEED SENSOR	22	11199274	1	ROSETTA	WASHER
5	14305124	2	VITE	SCREW	23	15896470	1	DADO	NUT
6	12601274	2	ROSETTA	WASHER	24	146654	1	SUPPORTO	SUPPORT
7	13546334	8	PRIGIONIERO	STUD	25	13543124	4	PRIGIONIERO	STUD
8	16296421	1	VITE	SCREW	26	174643	1	FLANGIA	FLANGE
9	144441	1	COPERCHIETTO CAMPANA FRIZIONE	CLUTCH HOUSING COVER	27	133989	4	DADO	NUT
10	174470	1	CUSCINETTO	BEARING	28	127496	4	ROSETTA	WASHER
11	144511	1	ANELLO D'ARRESTO	STOP RING	29	14306824	4	VITE	SCREW
12	154485	1	PARATIA	SHIELD	30	11193874	4	ROSETTA	WASHER
13	10977824	4	VITE	SCREW	31	155918	1	TRECCIA MASSA MOTORE	CABLE FOR ENGINE
14	12601174	4	ROSETTA	WASHER	32	164083	1	SENSORE VELOCITA' ANGOLARE BANCATA SX.	L.H. SIDE ANGULAR SPEED SENSOR
15	174216	1	ALBERO FLANGIATO DI TRASMISSIONE	PROPELLER SHAFT WITH FLANGE					



**456MGT/GTA**

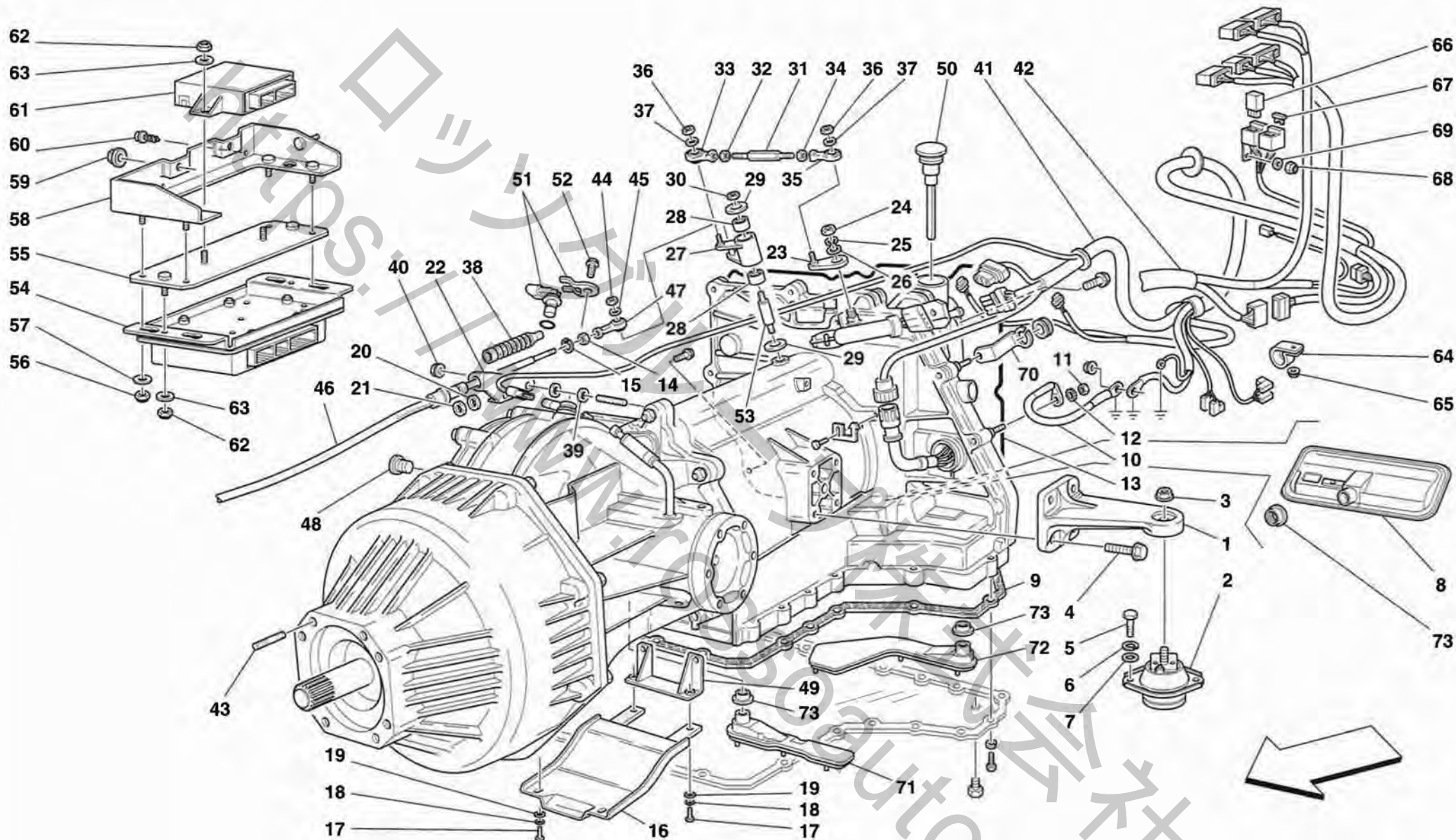
*SCATOLE CAMBIO -No per 456M GTA-*  
*GEARBOX -Not for 456M GTA-*

**TAV. 28**

DATA: OTTOBRE '98



Rif	Dis.N° Part.N°	Q.ty	Denominazione	Description	Rif	Dis.N° Part.N°	Q.ty	Denominazione	Description
-	174875	1	<b>SCATOLA CAMBIO COMPLETA</b>	<b>COMPLETE GEARBOX</b>	18	14305724	1	VITE	SCREW
1	171010	1	3° ELEMENTO SCATOLA CAMBIO -Non a ricambio- -Con la scatola cambio completa-	GEAR BOX 3rd ELEMENT -Not as spare part- -With complete gear box -	19	10569273	1	ROSETTA	WASHER
2	13543524	4	PRIGIONIERO	STUD	20	13971734	1	PRIGIONIERO	STUD
3	13543524	11	PRIGIONIERO	STUD	21	158194	1	GUARNIZIONE	GASKET
4	13543624	2	PRIGIONIERO	STUD	22	13547234	5	PRIGIONIERO	STUD
5	102704	2	GRANO CENTRAGGIO	CENTERING DOWEL	23	153477	1	PRIGIONIERO	STUD
-	174875	1	<b>SCATOLA CAMBIO COMPLETA</b>	<b>COMPLETE GEARBOX</b>	24	13543424	2	PRIGIONIERO	STUD
6	174877	1	2° ELEMENTO SCATOLA CAMBIO -Non a ricambio- -Con la scatola cambio completa-	GEAR BOX 2nd ELEMENT -Not as spare part- -With complete gear box-	25	125717	1	GRANO CENTRAGGIO	CENTERING DOWEL
7	16100814	13	DADO	NUT	26	133216	2	DADO	NUT
8	12601374	13	ROSETTA	WASHER	27	104280	1	TAPPO SCARICO OLIO	OIL OUTLET PLUG
9	16100814	13	DADO	NUT	28	10263460	1	GUARNIZIONE	GASKET
10	12601374	13	ROSETTA	WASHER	29	157009	1	BOCCOLA	BUSHING
-	174875	1	<b>SCATOLA CAMBIO COMPLETA</b>	<b>COMPLETE GEARBOX</b>	30	14305724	1	VITE	SCREW
11	149449	1	1° ELEMENTO SCATOLA CAMBIO -Non a ricambio- -Con la scatola cambio completa-	GEAR BOX 1st ELEMENT -Not as spare part- -With complete gear box-	31	10569273	1	ROSETTA	WASHER
12	125717	2	GRANO CENTRAGGIO	CENTERING DOWEL	32	157010	1	BOCCOLA	BUSHING
13	148106	1	COPERCHIO ANTERIORE COMPLETO	COMPLETE FRONT COVER	33	14159470	1	SPINA	PIN
14	131757	1	BOCCOLA	BUSHING	34	112254	1	INSERTO FILETTATO	THREADED INSERT
15	14305724	1	VITE	SCREW	35	16100814	10	DADO	NUT
16	10569273	1	ROSETTA	WASHER	36	12601374	10	ROSETTA	WASHER
17	131757	1	BOCCOLA	BUSHING	37	16100814	2	DADO	NUT
					38	12601374	2	ROSETTA	WASHER
					39	13543524	8	PRIGIONIERO	STUD
					40	13543624	2	PRIGIONIERO	STUD
					41	102704	2	GRANO CENTRAGGIO	CENTERING DOWEL
					42	153478	1	PRIGIONIERO	STUD



**456MGT/GTA**

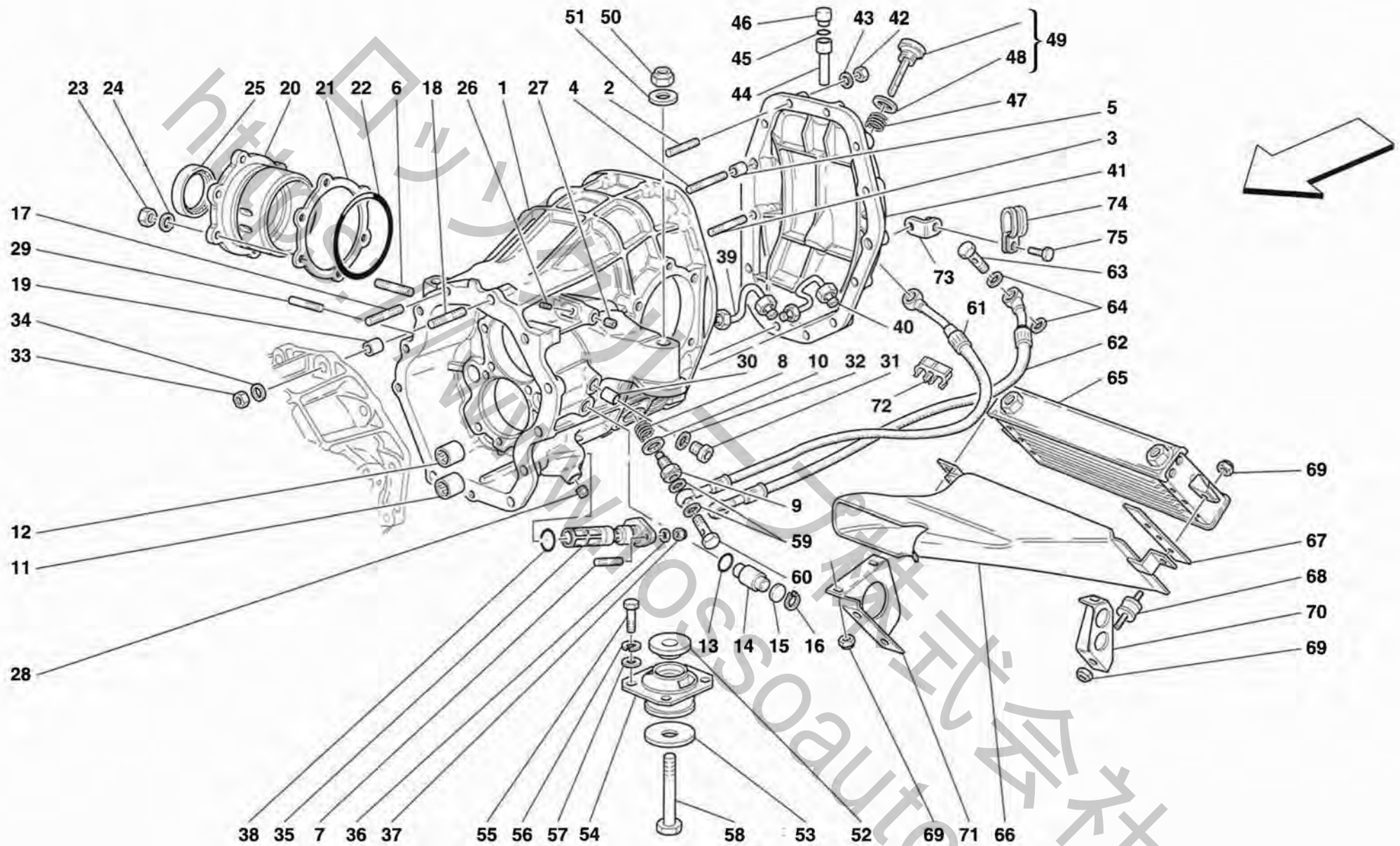
**CAMBIO COMPLETO -Vale per 456M GTA-**  
**COMPLETE GEARBOX -Valid for 456M GTA-**

**TAV. 29**

DATA: OTTOBRE '98

Rif	Dis.N° Part.N°	Q.ty	Denominazione	Description	Rif	Dis.N° Part.N°	Q.ty	Denominazione	Description
-	164018	1	CAMBIO AUTOMATICO COMPLETO	COMPLETE AUTOMATIC GEARBOX	40	14058411	2	DADO	NUT
1	176952	2	ZAMPA FISSAGGIO SCATOLA CAMBIO	GEARBOX FIXING SUPPORT	41	174491	1	CAVI COLLEG. CAMBIO AUTOMATICO	AUTOMATIC GEARBOX CONNECTING CABLES
2	176995	2	TAMPONE ELASTICO	FLEXIBLE PAD	42	178353	1	CAVI PARTE POST.	REAR CABLES
3	177018	2	DADO	NUT	43	13546334	8	PRIGIONIERO	STUD
4	16288534	8	VITE	SCREW	44	102741	1	DADO	NUT
5	15970634	4	VITE	SCREW	45	10519424	1	ROSETTA	WASHER
6	127497	4	ROSETTA	WASHER	46	175123	1	CAVO COMANDO CAMBIO COMPLETO	GEARBOX CONTROL CABLE
7	14496624	4	ROSETTA	WASHER	47	171200	1	SNODO SFERICO	BALL JOINT
8	178164	1	FILTRO POST.	REAR FILTER	48	177194	1	TAPPO	PLUG
9	177298	1	GUARNIZIONE INFERIORE	LOWER GASKET	49	177193	1	STAFFA	BRACKET
10	155918	1	TRECCIA DI MASSA	GROUND CABLE	50	177187	1	ASTA LIVELLO	LEVEL ROD
11	16100814	1	DADO	NUT	51	177195	1	SENSORE VELOCITA'	SPEED SENSOR
12	10615674	1	ROSETTA	WASHER	52	177196	1	VITE	SCREW
13	177198	1	GUARNIZIONE POSTERIORE	REAR GASKET	53	177197	1	PERNO	PIN
14	10725914	1	DADO	NUT	54	175093	1	CENTRALINA ELETTRONICA CAMBIO AUTOMATICO	ELECTRONIC CONTROL STATION FOR AUTOMATIC GEARBOX
15	11088076	1	ANELLO ELASTICO	FLEXIBLE RING	-	175832	1	CENTRALINA ELETTRONICA CAMBIO AUTOMATICO	ELECTRONIC CONTROL STATION FOR AUTOMATIC GEARBOX
16	65293600	1	CONVOGLIATORE ARIA	AIR CONVEYOR	-			-No per USA e CDN-	-Not for USA and CDN-
17	10902124	2	VITE	SCREW					
18	149951	4	ROSETTA	WASHER					
19	12638177	4	ROSETTA	WASHER					
20	171188	2	DISTANZIALE	SPACER					
21	171189	1	DISTANZIALE	SPACER					
22	171202	1	STAFFA	BRACKET	55	175678	1	STAFFA	BRACKET
23	170753	1	LEVETTA	SMALL LEVER	56	102741	4	DADO	NUT
24	10788711	1	DADO	NUT	57	12643724	4	ROSETTA	WASHER
25	12646821	1	ROSETTA	WASHER	58	175090	1	STAFFA	BRACKET
26	12604579	1	ROSETTA	WASHER	59	13832101	2	DADO	NUT
27	170758	1	BILANCIERE	ROCKER	60	62771900	2	VITE	SCREW
28	171186	2	ASTUCCIO A RULLINI	ROLLER CASING	61	174937	1	CENTRALINA GESTIONE SICUREZZE CAMBIO	CONTROL STATION FOR GEARBOX SECURITY
29	170757	1	ROSETTA	WASHER	62	113647	4	DADO	NUT
30	14058511	1	DADO	NUT	63	12637824	4	ROSETTA	WASHER
31	164011	1	PERNO	PIN	64	10441890	1	STAFFETTA	BRACKET
32	15896470	1	DADO	NUT	65	14058411	1	DADO	NUT
33	111530	1	SNODO SFERICO	BALL JOINT	66	161590	2	MICRORELE' 20 AMP.	MICRORELAY 20 AMP.
34	10790215	1	DADO	NUT	67	125242	2	FUSIBILE 15 AMP.	FUSE 15 AMP.
35	111529	1	SNODO SFERICO	BALL JOINT	68	113647	1	DADO	NUT
36	113647	2	DADO	NUT	69	14496324	1	ROSETTA	WASHER
37	10730014	2	ROSETTA	WASHER	70	154742	1	STAFFA	BRACKET
38	173604	1	SOFFIETTO	RUBBER BOOT	71	178159	1	FILTRO ANT. INFERIORE	LOWER FRONT FILTER
39	125516	2	ROSETTA	WASHER	72	178162	1	FILTRO CENTRALE INFERIORE	LOWER CENTRAL FILTER
					73	178100	3	BOCCOLA IN GOMMA	RUBBER BUSHING





**456MGT/GTA**

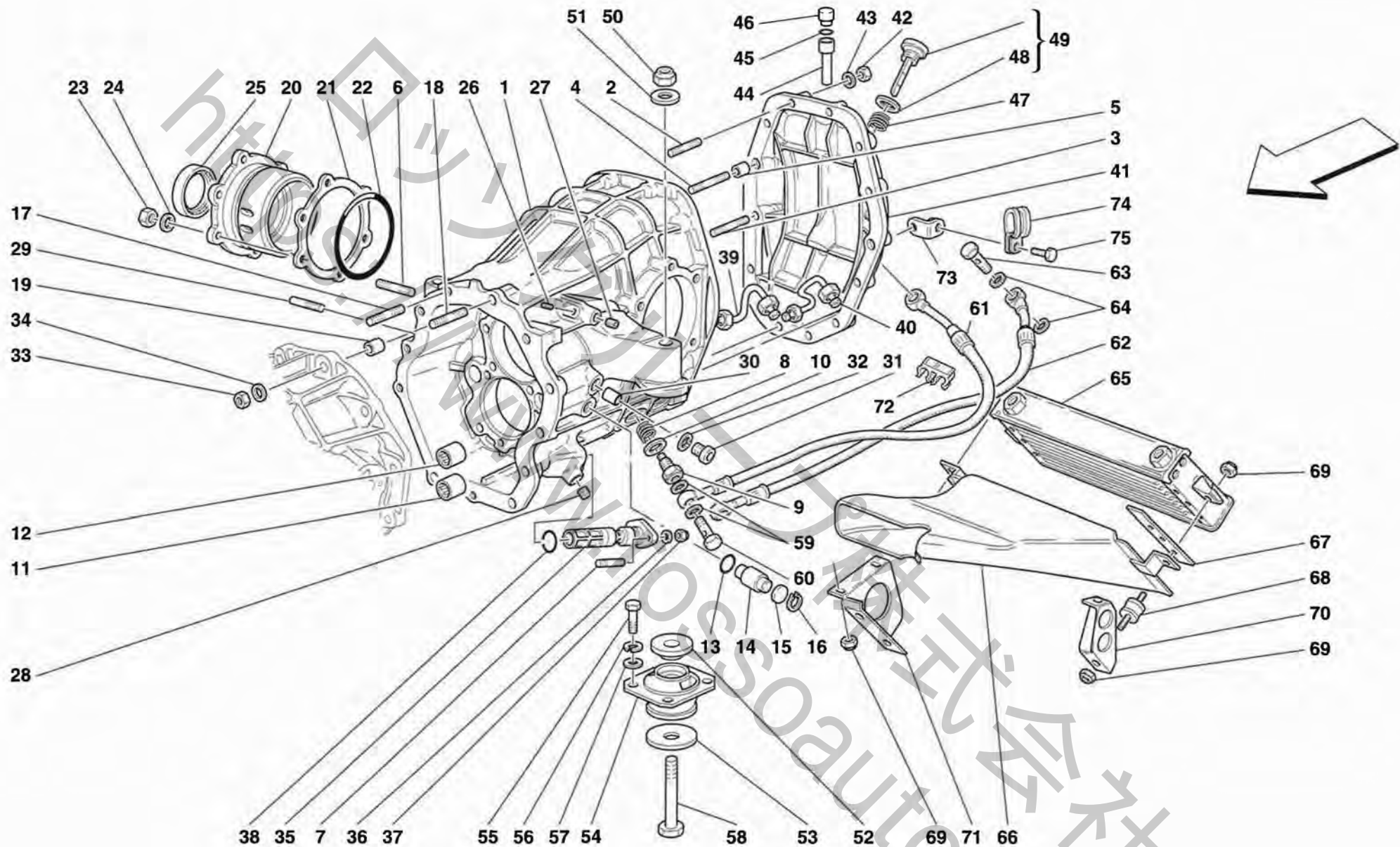
*SCATOLA DIFFERENZIALE E RADIATORE RAFFREDDAMENTO CAMBIO -No per 456M GTA-*  
*DIFFERENTIAL CARRIER AND GEARBOX COOLING RADIATOR -Not for 456M GTA-*

**TAV. 30**

DATA: OTTOBRE '98



Rif	Dis.N° Part.N°	Q.ty	Denominazione	Description	Rif	Dis.N° Part.N°	Q.ty	Denominazione	Description
-	174875	1	SCATOLA CAMBIO COMPLETA	COMPLETE GEARBOX	26	10267550	2	TAPPO	PLUG
1	161978	1	4° ELEMENTO SCATOLA CAMBIO -Non a ricambio- -Con la scatola cambio completa-	GEAR BOX 4th ELEMENT -Not as spare part- -With complete gear box-	27	14326150	1	TAPPO	PLUG
2	13543624	10	PRIGIONIERO	STUD	28	14326050	1	TAPPO	PLUG
3	13543724	2	PRIGIONIERO	STUD	29	16183021	1	VITE	SCREW
4	13543824	2	PRIGIONIERO	STUD	30	115376	1	BOCCOLA	BUSHING
5	102704	2	GRANO CENTRAGGIO	CENTERING DOWEL	31	150731	1	TAPPO	PLUG
6	13546224	12	PRIGIONIERO	STUD	32	10282460	1	GUARNIZIONE	GASKET
7	11001024	2	PRIGIONIERO	STUD	33	16100814	13	DADO	NUT
8	112254	2	INSERTO FILETTATO	THREADED INSERT	34	12601374	13	ROSETTA	WASHER
9	150853	2	RACCORDO	UNION	35	143939	1	FILTRO OLIO SUL CAMBIO	OIL FILTER ON THE GEAR BOX
10	10263460	2	GUARNIZIONE	GASKET	36	14496324	2	ROSETTA	WASHER
11	106500	1	BOCCOLA A SFERE PER ASTA RM	BEARING BUSH FOR REVERSE ROD	37	169180	2	DADO	NUT
12	149907	2	BOCCOLA PER ASTA 1ª E 2ª VELOCITA'	BEARING FOR 1st AND 2nd GEAR ROD	38	147278	1	GUARNIZIONE O.R.	O.R. GASKET
13	134232	1	GUARNIZIONE O.R.	O.R. GASKET	39	150594	1	TUBO MANDATA OLIO	OIL DELIVERY TUBE
14	153719	1	PUNTALINO	PIN	40	150592	1	TUBO RITORNO OLIO	OIL RETURN TUBE
15	154698	1	ANELLO	RING	41	168107	1	COPERCHIO POSTERIORE	REAR COVER
16	11057476	1	ANELLO D'ARRESTO	STOP RING	42	16100814	14	DADO	NUT
17	13543524	7	PRIGIONIERO	STUD	43	12601374	14	ROSETTA	WASHER
18	13543624	2	PRIGIONIERO	STUD	44	153500	1	PROLUNGA PER SFIATO OLIO	EXTENSION FOR OIL EXHAUST
19	102704	2	GRANO CENTRAGGIO	CENTERING DOWEL	45	13415400	1	DISCO PARAOLIO PER SFIATOIO	OIL DEFLECTOR DISC FOR VENT
20	145531	2	COPERCHIO PER DIFFERENZIALE	DIFFERENTIAL COVER	46	13414691	1	SFIATATOIO OLIO	OIL BREATHER
21	150099	2	RASAMENTO COPERCHIO DIFFERENZIALE SPESSORE mm 1,3	DIFFERENTIAL COVER THRUST THICKNESS mm 1.3	47	112254	1	INSERTO FILETTATO	THREADED INSERT
-	150100	-	IDEM SPESSORE mm 1,4	DITTO THICKNESS mm 1.4	48	10261860	1	GUARNIZIONE	GASKET
-	150101	-	IDEM SPESSORE mm 1,5	DITTO THICKNESS mm 1.5	49	144014	1	ASTA LIVELLO OLIO COMPLETA	COMPLETE OIL LEVEL ROD
-	150102	-	IDEM SPESSORE mm 1,6	DITTO THICKNESS mm 1.6	50	169193	2	DADO	NUT
-	150103	-	IDEM SPESSORE mm 1,7	DITTO THICKNESS mm 1.7	51	10520224	2	ROSETTA	WASHER
-	150104	-	IDEM SPESSORE mm 1,8	DITTO THICKNESS mm 1.8	52	132268	2	PIATTELLO SUPERIORE	UPPER SPACER
-	150105	-	IDEM SPESSORE mm 1,9	DITTO THICKNESS mm 1.9	53	132269	2	PIATTELLO INFERIORE	LOWER SPACER
-	150106	-	IDEM SPESSORE mm 1,45	DITTO THICKNESS mm 1.45	54	159238	2	CORPO TAMPONE	WICK BODY
-	150107	-	IDEM SPESSORE mm 1,55	DITTO THICKNESS mm 1.55	55	15970634	8	VITE	SCREW
-	150108	-	IDEM SPESSORE mm 1,65	DITTO THICKNESS mm 1.65	56	127497	8	ROSETTA	WASHER
-	175378	-	IDEM SPESSORE mm 1,75	DITTO THICKNESS mm 1.75	57	14496624	8	ROSETTA	WASHER
22	139453	2	GUARNIZIONE O.R.	O.R. GASKET	58	156458	2	VITE	SCREW
23	133988	12	DADO	NUT	59	10261060	4	GUARNIZIONE	GASKET
24	12601474	12	ROSETTA	WASHER	60	10185011	2	BOCCHETTONE	UNION
25	141509	1	GUARNIZIONE SX.	L.H. GASKET	61	156133	1	TUBO MANDATA OLIO AL RADIATORE	OIL DELIVERY TUBE TO RADIATOR
-	133628	1	GUARNIZIONE DX.	R.H. GASKET	62	156134	1	TUBO RITORNO OLIO DAL RADIATORE	OIL RETURN TUBE FROM RADIATOR
					63	10185011	2	BOCCHETTONE	UNION
					64	10261060	4	GUARNIZIONE	GASKET



**456MGT/GTA**

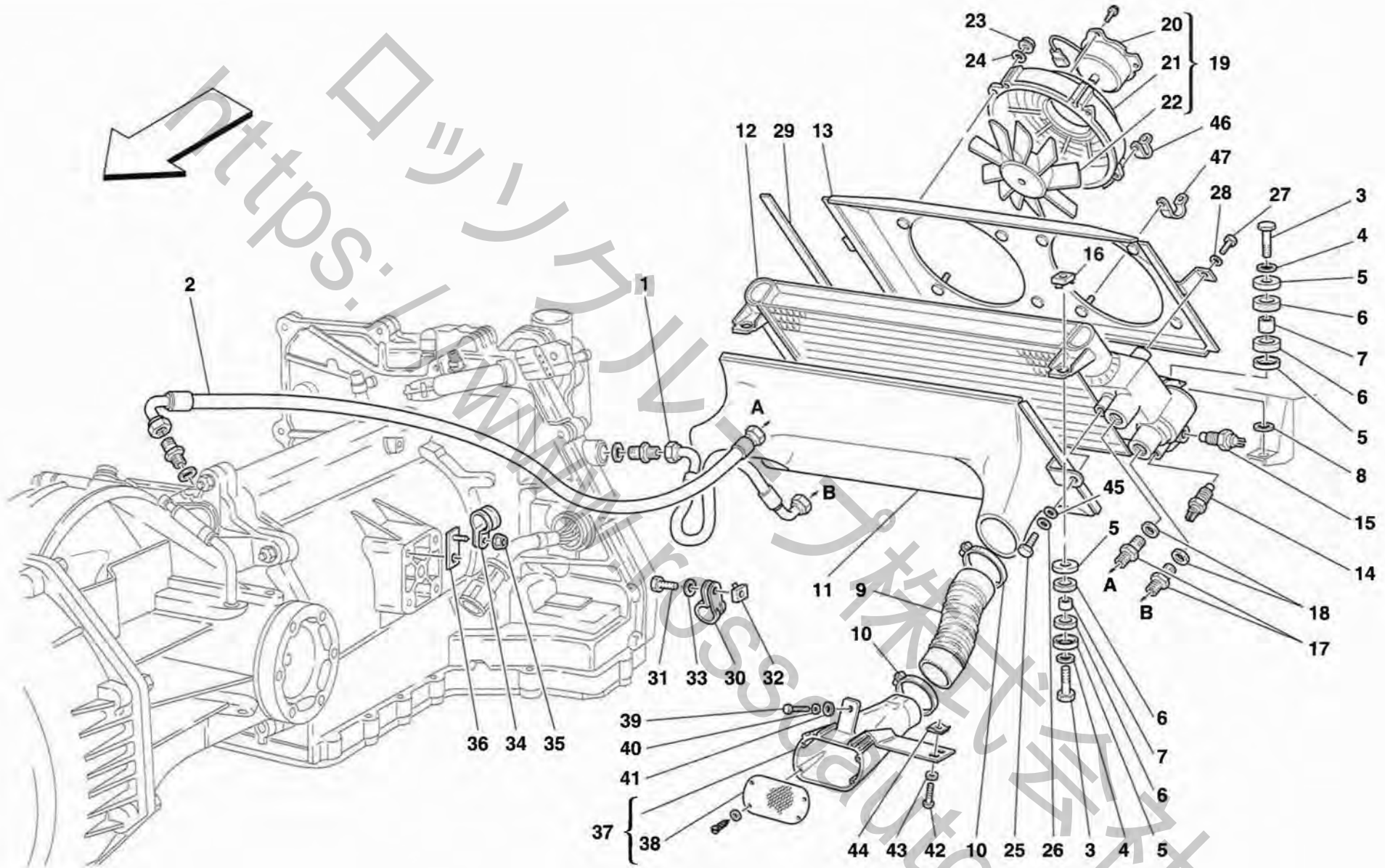
*SCATOLA DIFFERENZIALE E RADIATORE RAFFREDDAMENTO CAMBIO -No per 456M GTA-*  
*DIFFERENTIAL CARRIER AND GEARBOX COOLING RADIATOR -Not for 456M GTA-*

**TAV. 30**

DATA: OTTOBRE '98

<i>Rif</i>	<i>Dis.N° Part.N°</i>	<i>Q.ty</i>	<i>Denominazione</i>	<i>Description</i>	<i>Rif</i>	<i>Dis.N° Part.N°</i>	<i>Q.ty</i>	<i>Denominazione</i>	<i>Description</i>
65	154696	1	RADIATORE OLIO CAMBIO	OIL RADIATOR	71	156130	1	STAFFA DX.	R.H. BRACKET
66	156132	1	CONVOGLIATORE ARIA	AIR CONVEYOR	72	145543	1	MOLLETTA ELASTICA	FLEXIBLE CLIP
67	158276	2	GUARNIZIONE	GASKET	73	142060	1	STAFFA	BRACKET
68	102947	3	TAMPONE DI FISSAGGIO	FIXING PAD	74	10441290	2	STAFFETTA CON GUAINA	BRACKET WITH SHEAT
69	13832101	6	DADO	NUT	75	10902124	1	VITE	SCREW
70	156131	1	STAFFA SX.	L.H. BRACKET					

<https://www.motocycle.com>



**456MGT/GTA**

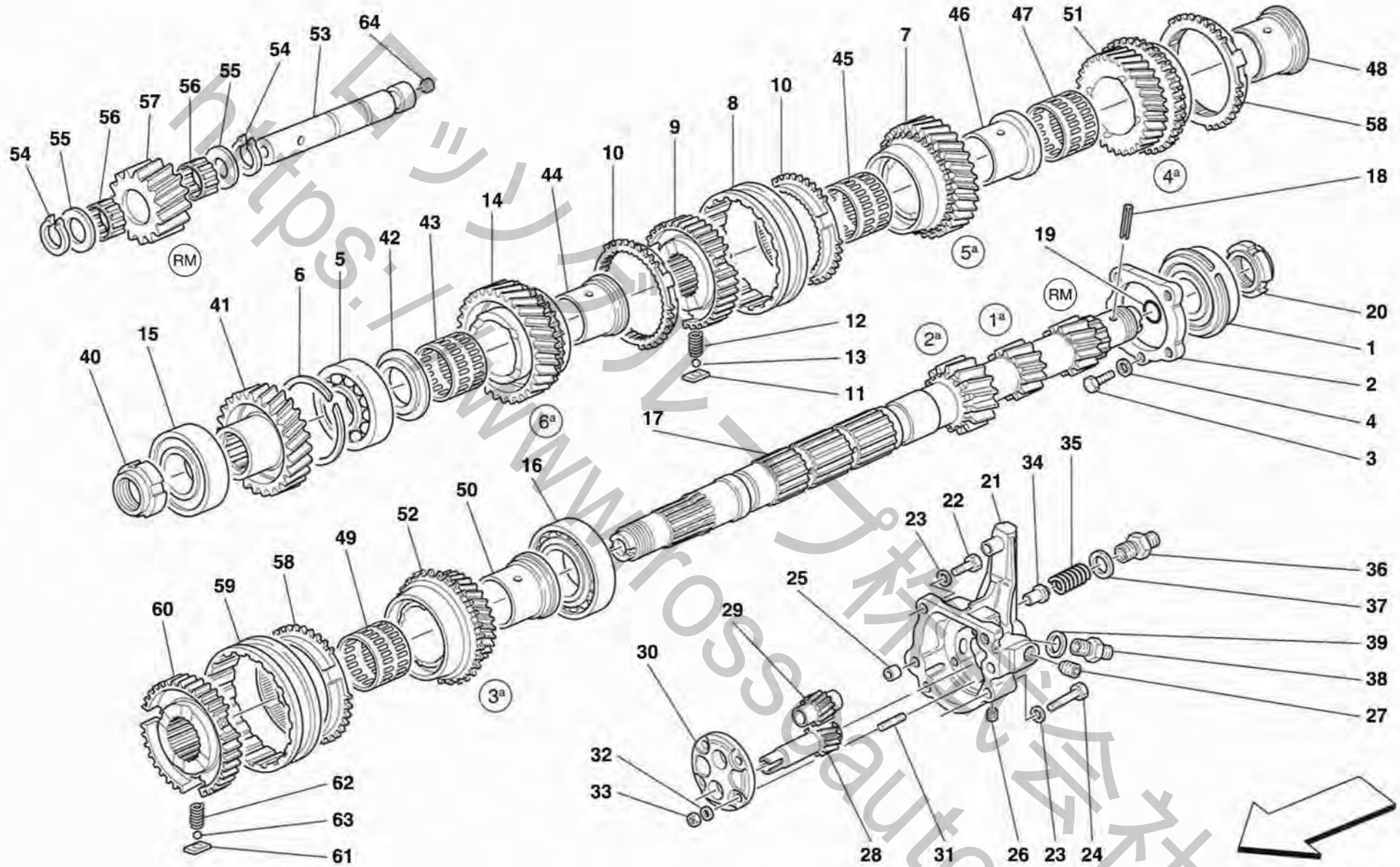
**RADIATORE RAFFREDDAMENTO CAMBIO -Vale per 456M GTA-**  
**GEARBOX COOLING RADIATOR -Valid for 456M GTA-**

**TAV. 31**

DATA: OTTOBRE '98



Rif	Dis.N° Part.N°	Q.ty	Denominazione	Description	Rif	Dis.N° Part.N°	Q.ty	Denominazione	Description
1	177412	1	TUBO MANDATA OLIO	OIL DELIVERY TUBE	25	16043224	2	VITE	SCREW
2	177413	1	TUBO RITORNO OLIO	OIL RETURN TUBE	26	12601374	2	ROSETTA	WASHER
3	16043834	4	VITE	SCREW	27	16043224	2	VITE	SCREW
4	12601374	4	ROSETTA	WASHER	28	12601374	2	ROSETTA	WASHER
5	107979	8	SCODELLINO	CUP	29	168796	4	GUARNIZIONE	GASKET
6	107978	8	TAMPONE	PAD	30	10441890	1	STAFFETTA CON GUAINA	BRACKET WITH SHEATH
7	155395	4	DISTANZIALE	SPACER	31	10902124	1	VITE	SCREW
8	12638524	4	ROSETTA	WASHER	32	60659100	1	DADO CON GABBIA	NUT WITH CAGE
9	176378	2	TUBO PER RAFFREDDAMENTO	COOLING PIPE	33	127494	1	ROSETTA	WASHER
10	13001090	4	COLLARE A VITE	SCREW COLLAR	34	10441890	1	STAFFETTA CON GUAINA	BRACKET WITH SHEATH
11	175699	1	CONVOGLIATORE ANT.	FRONT CONVEYOR	35	102948	1	DADO	NUT
12	175696	1	RADIATORE OLIO CAMBIO	OIL RADIATOR	36	159386	1	PIASTRINO	SMALL PLATE
13	175320	1	CAPPA PER ELETTROVENTILATORE	HOOD FOR ELECTROFAN	37	65467500	1	PRESA ARIA SX. COMPLETA	COMPLETE L.H. AIR INTAKE
14	167475	1	TERMOCONTATTO 110°-100°C	TEMPERATURE SWITCH 110°-100°C	-	65467600	1	PRESA ARIA DX. COMPLETA	COMPLETE R.H. AIR INTAKE
15	167476	1	TERMOCONTATTO 90°-80°C	TEMPERATURE SWITCH 90°-80°C	38	65050900	2	RETE PER PRESA ARIA	AIR INTAKE SHIELD
16	141530	4	DADO CON GABBIA	NUT WITH CAGE	39	10902124	2	VITE	SCREW
17	170796	2	RACCORDO FILETTATO	THREADED UNION	40	127494	2	ROSETTA	WASHER
18	10263460	2	GUARNIZIONE	GASKET	41	12643778	2	ROSETTA	WASHER
19	153431	2	ELETTROVENTILATORE COMPLETO	COMPLETE ELECTROFAN	42	15688375	2	VITE	SCREW
20	154225	1	MOTORINO	MOTOR	43	12638177	2	ROSETTA	WASHER
21	154224	1	CONVOGLIATORE ARIA	AIR CONVEYOR	44	61789700	2	STAFFETTA	BRACKET
22	154223	1	VENTOLA	BLOWER	45	12601374	2	ROSETTA	WASHER
23	14058311	8	DADO	NUT	46	10418101	1	STAFFETTA	BRACKET
24	12601174	8	ROSETTA	WASHER	47	10418501	1	STAFFETTA	BRACKET



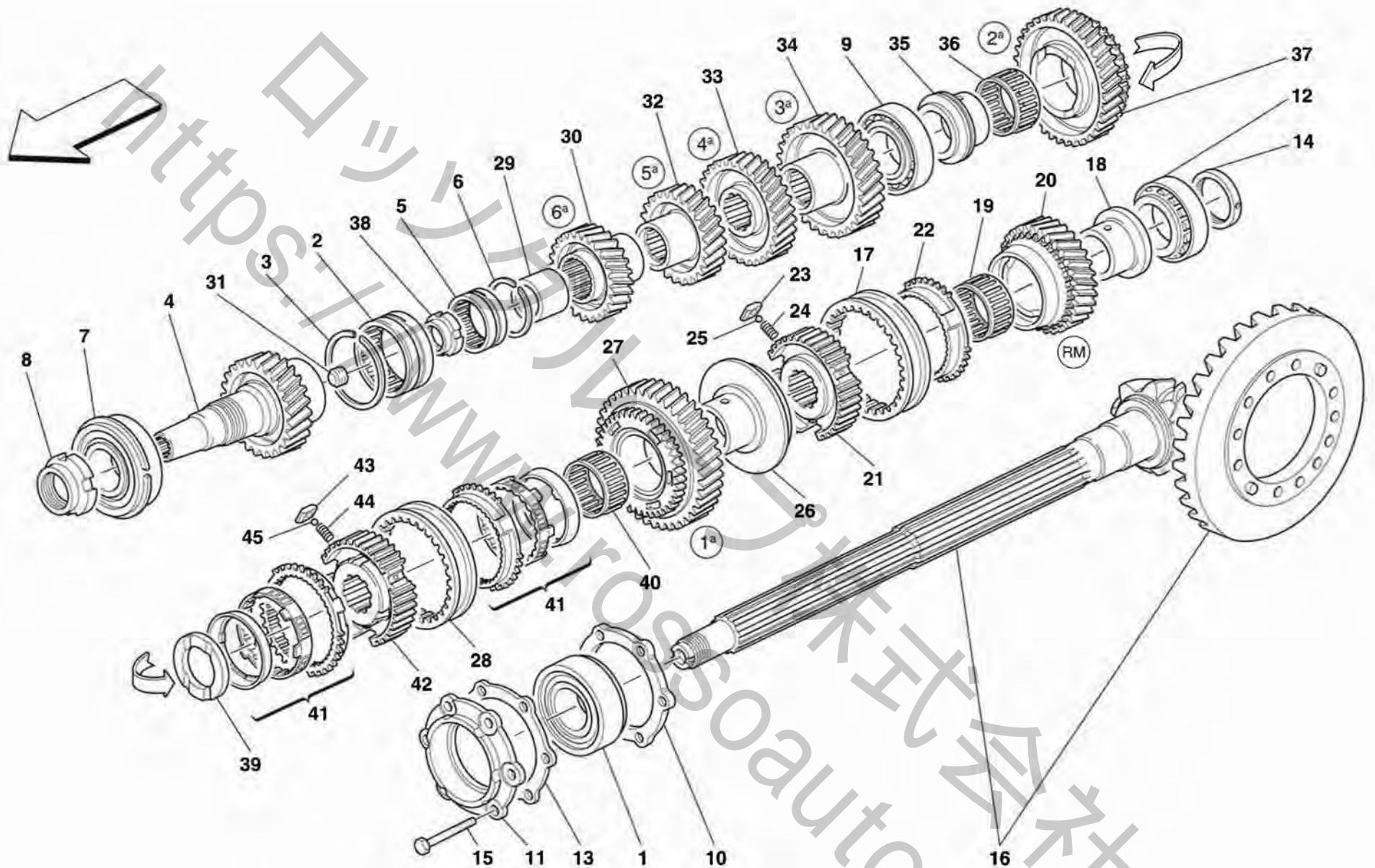
**456MGT/GTA**

**RUOTISMI ALBERO PRIMARIO CAMBIO E POMPA OLIO CAMBIO -No per 456M GTA-**  
**MAIN SHAFT GEARS AND GEARBOX OIL PUMP -Not for 456M GTA-**

**TAV. 32**

DATA: OTTOBRE '98

Rif	Dis.N° Part.N°	Q.ty	Denominazione	Description	Rif	Dis.N° Part.N°	Q.ty	Denominazione	Description
1	144502	1	CUSCINETTO PER ALBERO PRIMARIO LATO POMPA OLIO	BEARING FOR MAIN SHAFT PUMP OIL SIDE	33	15896214	4	DADO	NUT
2	144444	1	ANELLO DI SUPPORTO	SUPPORT RING	34	150484	1	VALVOLA	VALVE
3	16043424	1	VITE	SCREW	35	150576	1	MOLLA	SPRING
4	127496	1	ROSETTA	WASHER	36	150577	1	RACCORDO	UNION
5	108656	1	CUSCINETTO A RULLI	ROLLER BEARING	37	10257060	1	GUARNIZIONE	GASKET
6	144511	1	ANELLO D'ARRESTO	STOP RING	38	150571	1	RACCORDO	UNION
7	155851	1	INGRANAGGIO 5a VELOCITA' COMPLETO -Z 30-	COMPLETE PINION FOR 5TH GEAR -Z 30-	39	10259960	1	GUARNIZIONE	GASKET
8	152206	1	MANICOTTO PER SINCRONIZZATORE	SLEEVE FOR SYNCHRONIZER	40	125534	1	GHIERA	RING NUT
9	152207	1	CORPO SINCRONIZZATORE	SYNCHRONIZER BODY	41	154761	1	INGRANAGGIO CONDOTTO -Z 28-	DRIVEN GEAR -Z 28-
10	152209	2	ANELLO SINCRONIZZATORE	SYNCHRONIZER RING	42	143886	1	DISTANZIALE	SPACER
11	152195	3	TASSELLO	SMALL BLOCK	43	107525	1	GABBIA A RULLI	ROLLER CAGE
12	152196	3	MOLLA	SPRING	44	143893	1	BOCCOLA	BUSHING
13	152197	3	SFERA	BALL	45	107525	1	GABBIA A RULLI	ROLLER CAGE
14	155852	1	INGRANAGGIO 6a VELOCITA' COMPLETO -Z 33-	COMPLETE PINION FOR 6TH GEAR -Z 33-	46	152094	1	BOCCOLA	BUSHING
15	156472	1	CUSCINETTO A RULLI	ROLLER BEARING	47	107525	1	GABBIA A RULLI	ROLLER CAGE
16	131056	1	CUSCINETTO A RULLI	ROLLER BEARING	48	152093	1	BOCCOLA	BUSHING
17	157374	1	ALBERO PRIMARIO CAMBIO	MAIN SHAFT FOR GEAR LEVER	49	109002	1	GABBIA A RULLI	ROLLER CAGE
18	14601270	1	SPINA ELASTICA	FLEXIBLE PIN	50	161445	1	BOCCOLA	BUSHING
19	109724	1	GUARNIZIONE O.R.	O.R. GASKET	51	155850	1	INGRANAGGIO 4a VELOCITA' COMPLETO -Z 27-	COMPLETE PINION FOR 4TH GEAR -Z 27-
20	150963	1	GHIERA	RING NUT	52	157084	1	INGRANAGGIO 3a VELOCITA' COMPLETO -Z 23-	COMPLETE PINION FOR 3RD GEAR -Z 23-
-	<b>153206</b>	1	<b>CORPO POMPA OLIO COMPLETO</b>	<b>COMPLETE OIL PUMP BODY</b>	53	159410	1	ALBERINO	SHAFT
21	150555	1	CORPO POMPA OLIO -Non a ricambio- -Con il corpo pompa olio completo-	OIL PUMP BODY -Not as spare part- -With complete oil pump body-	54	158272	2	ANELLO SEEGER	SEEGER RING
22	16044224	2	VITE	SCREW	55	104249	2	ROSETTA -Sp. 4 mm-	WASHER -Th. 4 mm-
23	12601374	4	ROSETTA	WASHER	-	158257	2	ROSETTA -Sp. 4,1 mm-	WASHER -Th. 4,1 mm-
24	16044521	2	VITE	SCREW	-	-	-	-In alternativa-	-As an alternative-
25	102704	2	GRANO CENTRAGGIO	CENTERING DOWEL	-	164555	2	ROSETTA -Sp. 3,9 mm-	WASHER -Th. 3,9 mm-
26	14326150	2	TAPPO	PLUG	-	-	-	-In alternativa-	-As an alternative-
27	10269450	1	TAPPO	PLUG	56	104256	2	GABBIA A RULLI	ROLLER CAGE
28	109722	1	INGRANAGGIO CONDUTTORE	DRIVING GEAR	57	155879	1	INGRANAGGIO FOLLE RM -Z 25-	IDLE GEAR FOR REVERSE -Z 25-
29	109723	1	INGRANAGGIO CONDOTTO	DRIVEN GEAR	58	155155	2	ANELLO SINCRONIZZATORE	SYNCHRONIZER RING
30	121962	1	COPERCHIETTO	SMALL COVER	59	152198	1	MANICOTTO	SLEEVE
31	11500024	4	PRIGIONIERO	STUD	60	161015	1	CORPO SINCRONIZZATORE	SYNCHRONIZER BODY
32	12601274	4	ROSETTA	WASHER	61	152195	3	TASSELLO	SMALL BLOCK
					62	161016	3	MOLLA	SPRING
					63	152197	3	SFERA	BALL
					64	10269350	1	TAPPO	PLUG



**456MGT/GTA**

*RUOTISMI ALBERO SECONDARIO CAMBIO -No per 456M GTA-*  
*LAY SHAFT GEARS -Not for 456M GTA-*

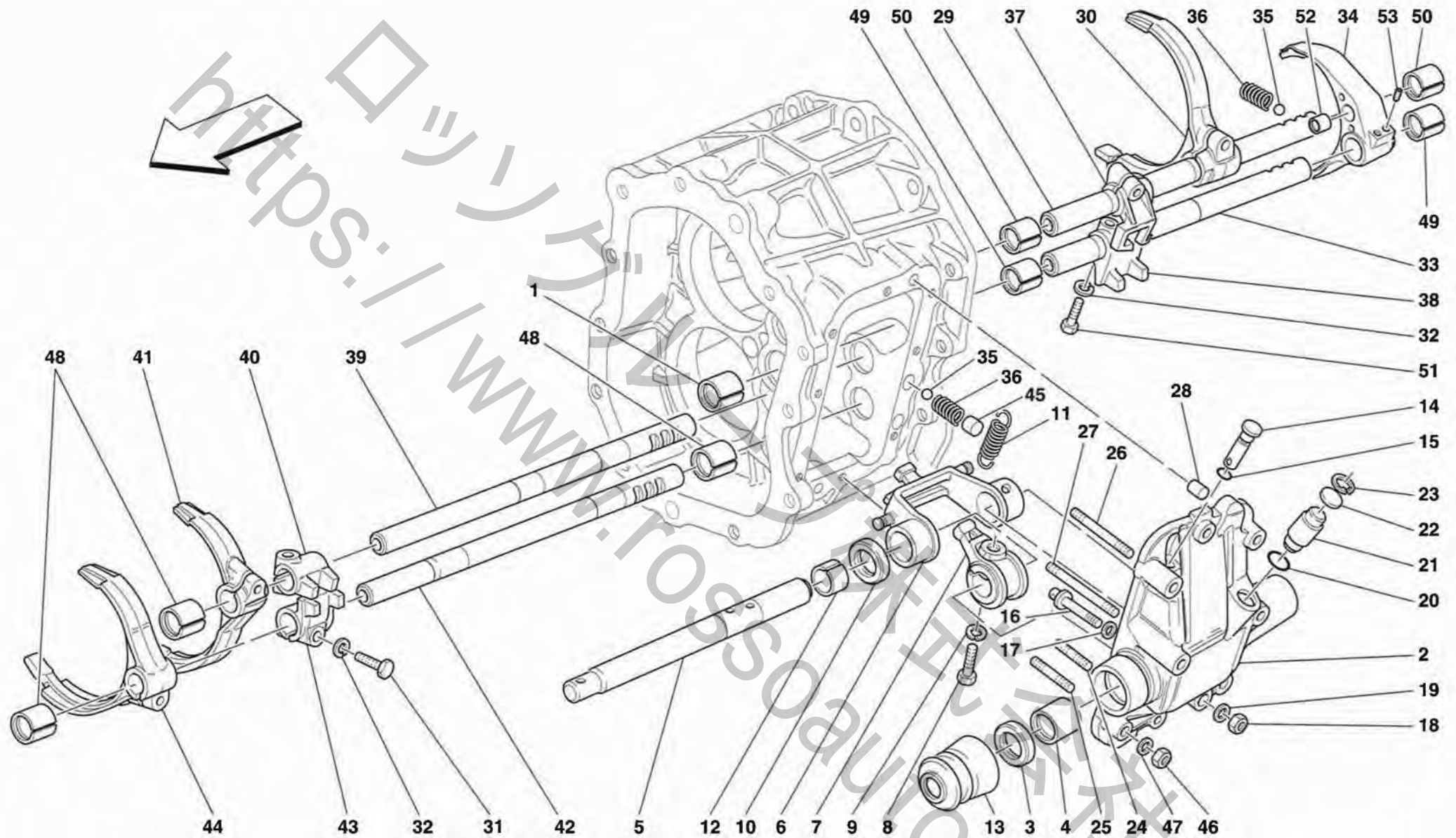
**TAV. 33**

DATA: OTTOBRE '98



Rif	Dis.N° Part.N°	Q.ty	Denominazione	Description	Rif	Dis.N° Part.N°	Q.ty	Denominazione	Description
1	144498	1	CUSCINETTO PER ALBERO SECONDARIO LATO DIFFERENZIALE	BEARING FOR DRIVEN SHAFT DIFFERENTIAL SIDE	17	152198	1	MANICOTTO	SLEEVE
2	144486	1	CUSCINETTO A RULLI	ROLLER BEARING	18	152090	1	BOCCOLA	BUSHING
3	144511	1	ANELLO D'ARRESTO	STOP RING	19	150004	1	GABBIA A RULLI	ROLLER CAGE
4	154749	1	INGRANAGGIO CONDUTTORE -Z 31-	DRIVING GEAR -Z 31-	20	155880	1	INGRANAGGIO RM -Z 34-	REVERSE GEAR -Z 34-
5	144476	1	CUSCINETTO A RULLI	ROLLER BEARING	21	152203	1	CORPO SINCRONIZZATORE	SYNCHRONIZER BODY
6	144520	1	ANELLO D'ARRESTO	STOP RING	22	152205	1	ANELLO SINCRONIZZATORE	SYNCHRONIZER RING
7	148188	1	CUSCINETTO A SFERE	BALL BEARING	23	152195	3	TASSELLO	SMALL BLOCK
8	148137	1	GHIERA	RING NUT	24	152196	3	MOLLA	SPRING
9	131056	1	CUSCINETTO A RULLI	ROLLER BEARING	25	152197	3	SFERA	BALL
10	143924	1	ANELLO	RING	26	152091	1	BOCCOLA	BUSHING
11	143923	1	BOCCOLA	BUSHING	27	157251	1	INGRANAGGIO 1ª VELOCITA' COMPLETO -Z 45-	COMPLETE PINION FOR 1ST GEAR -Z 45-
12	121822	1	CUSCINETTO A RULLI	ROLLER BEARING	28	156931	1	MANICOTTO	SLEEVE
13	155718	1	DISTANZIALE Sp. mm. 2,0	SPACER Thick. mm. 2.0	29	143889	1	BOCCOLA	BUSHING
-	155719	1	DISTANZIALE Sp. mm. 1,6	SPACER Thick. mm. 1.6	30	155852	1	INGRANAGGIO 6ª VELOCITA' -Z 33-	PINION FOR 6TH GEAR -Z 33-
-	155720	1	DISTANZIALE Sp. mm. 1,8	SPACER Thick. mm. 1.8	31	155577	1	TAPPO	PLUG
-	175375	1	DISTANZIALE Sp. mm. 1,85	SPACER Thick. mm. 1.85	32	155851	1	INGRANAGGIO 5ª VELOCITA' -Z 30-	PINION FOR 5TH GEAR -Z 30-
-	175376	1	DISTANZIALE Sp. mm. 1,9	SPACER Thick. mm. 1.9	33	155771	1	INGRANAGGIO 4ª VELOCITA' -Z 32-	PINION FOR 4TH GEAR -Z 32-
-	175377	1	DISTANZIALE Sp. mm. 1,95	SPACER Thick. mm. 1.95	34	155769	1	INGRANAGGIO 3ª VELOCITA' -Z 35-	PINION FOR 3RD GEAR -Z 35-
-	155721	1	DISTANZIALE Sp. mm. 2,2	SPACER Thick. mm. 2.2	35	143892	1	BOCCOLA	BUSHING
-	155722	1	DISTANZIALE Sp. mm. 2,4	SPACER Thick. mm. 2.4	36	104254	1	GABBIA A RULLI	ROLLER CAGE
14	122152	1	DISTANZIALE	SPACER	37	157253	1	INGRANAGGIO 2ª VELOCITA' COMPLETO -Z 40-	COMPLETE PINION FOR 2ND GEAR -Z 40-
-	157668	1	DISTANZIALE -In alternativa al 122152-	SPACER -As an alternative of 122152-	38	144048	1	GHIERA	RING NUT
15	16321434	6	VITE	SCREW	39	157375	1	DISTANZIALE	SPACER
16	150876	1	<b>COPPIA CONICA COMPLETA R.11/40</b> -Vale fino alla vett. Ass. Nr. 30093-	<b>CROWN WHEEL AND PINION COMPLETE R.11/40</b> -Valid till car Ass. Nr. 30093-	40	104254	1	GABBIA A RULLI	ROLLER CAGE
-	175727	1	<b>COPPIA CONICA COMPLETA R.11/40</b> -Vale dalla vett. Ass. Nr. 30094-	<b>CROWN WHEEL AND PINION COMPLETE R.11/40</b> -Valid from car Ass. Nr. 30094-	41	159088	2	SERIE ANELLI SINCRONIZZATORE	SYNCHRONIZER RINGS SERIES
					42	157255	1	CORPO SINCRONIZZATORE	SYNCHRONIZER BODY
					43	157051	3	TASSELLO	SMALL BLOCK
					44	157049	3	MOLLA	SPRING
					45	157050	3	SFERA	BALL

<https://www.ossosport.com>



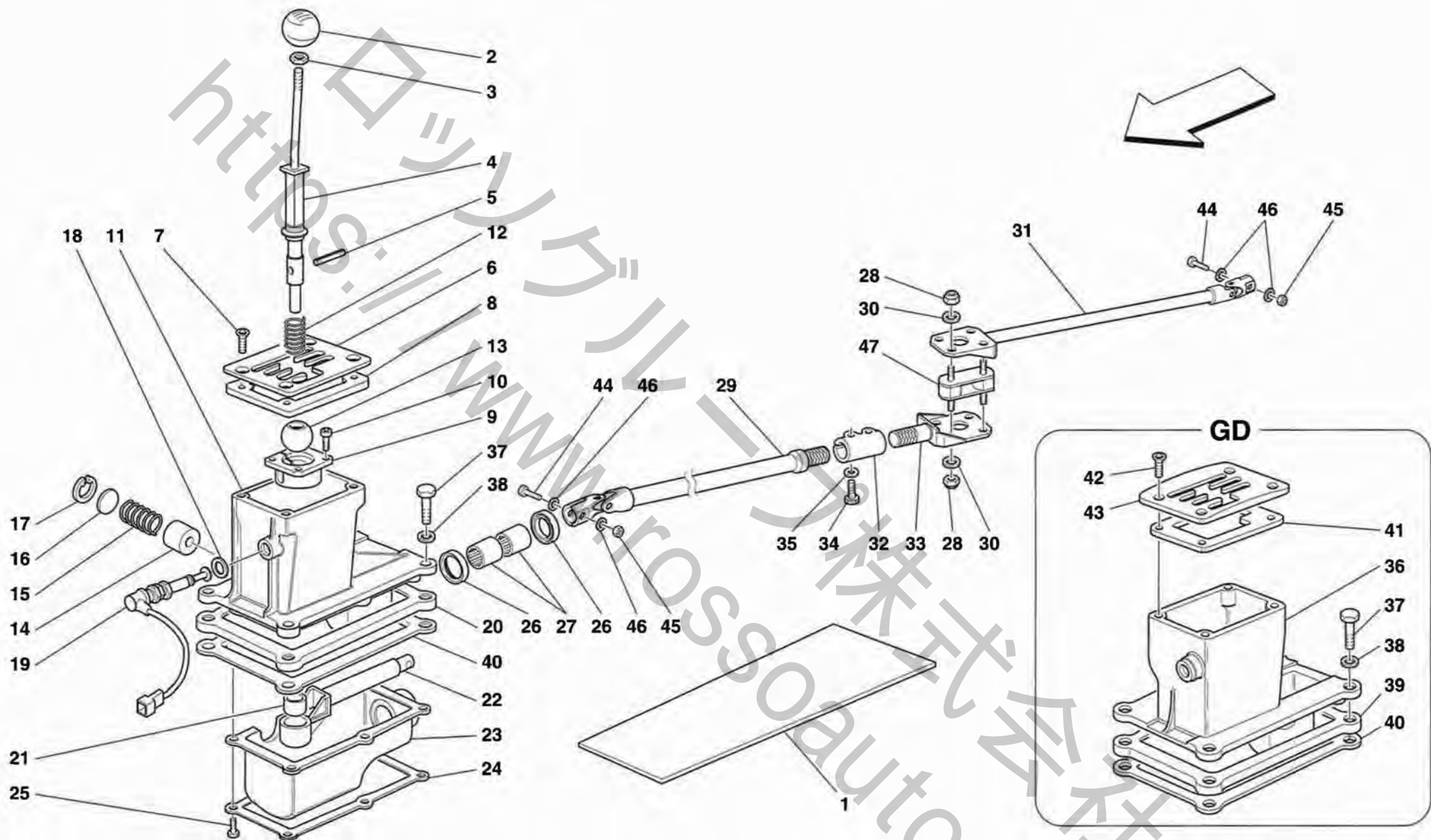
**456MGT/GTA**

*COMANDI INTERNI CAMBIO -No per 456M GTA-*  
*INSIDE GEARBOX CONTROLS -Not for 456M GTA-*

**TAV. 34**

DATA: OTTOBRE '98

Rif	Dis.N° Part.N°	Q.ty	Denominazione	Description	Rif	Dis.N° Part.N°	Q.ty	Denominazione	Description
1	106500	1	BOCCOLA	BUSHING	29	159676	1	ASTA COMANDO RM	CONTROL ROD FOR REVERSE GEAR
2	153697	1	COPERCHIO COMANDI INTERNI CAMBIO	INSIDE GEARBOX CONTROLS COVER	30	159854	1	FORCELLA COMANDO RM	CONTROL FORK REVERSE GEAR
3	146306	1	GUARNIZIONE	GASKET	31	16043634	6	VITE	SCREW
4	149907	2	BOCCOLA	BUSHING	32	127496	7	ROSETTA	WASHER
5	146224	1	ASTA COMANDO CAMBIO	CONTROL ROD FOR GEAR BOX	33	159530	1	ASTA COMANDO 1ª E 2ª VELOCITA'	CONTROL ROD FOR 1ST/2ND GEAR
6	157623	1	BILANCIERE	ROCKER	34	172994	1	FORCELLA COMANDO 1ª E 2ª VELOCITA'	CONTROL FORK FOR 1ST AND 2ND GEAR
7	171832	1	LEVETTA	SMALL LEVER	35	101612	3	SFERA	BALL
8	11306934	1	VITE	SCREW	36	100750	3	MOLLA PER SFERA	SPRING FOR BALL
9	127497	1	ROSETTA	WASHER	37	171827	1	FORCELLINO ASTA RM	ROD FORK REVERSE GEAR
10	147346	2	RONDELLA	WASHER	38	171828	1	FORCELLINO ASTA 1ª E 2ª VELOCITA'	ROD FORK FOR 1ST AND 2ND GEAR
11	150737	2	MOLLA	SPRING	39	158051	1	ASTA COMANDO 3ª E 4ª VELOCITA'	ROD FOR 3RD AND 4TH GEAR
12	103226	2	BOCCOLA	BUSHING	40	171829	1	FORCELLINO ASTA 3ª E 4ª VELOCITA'	ROD FORK FOR 3RD AND 4TH GEAR
13	147572	1	SOFFIETTO	RUBBER BOOT	41	159855	1	FORCELLA COMANDO 3ª E 4ª VELOCITA'	CONTROL FORK FOR 3RD AND 4TH GEAR
14	154714	1	PERNO	PIN	42	159582	1	ASTA COMANDO 5ª E 6ª VELOCITA'	ROD FOR 5TH AND 6TH GEAR
15	132934	1	GUARNIZIONE O.R.	O.R. GASKET	43	171830	1	FORCELLINO ASTA 5ª E 6ª VELOCITA'	ROD FORK FOR 5TH AND 6TH GEAR
16	150692	1	PERNO	PIN	44	159856	1	FORCELLA COMANDO 5ª E 6ª VELOCITA'	CONTROL FORK FOR 5TH AND 6TH GEAR
17	10297760	1	GUARNIZIONE	GASKET	45	150173	1	DISTANZIALE	SPACER
18	10720111	1	DADO	NUT	46	15896214	8	DADO	NUT
19	12601274	1	ROSETTA	WASHER	47	12601274	8	ROSETTA	WASHER
20	134232	1	GUARNIZIONE O.R.	O.R. GASKET	48	106500	3	BOCCOLA	BUSHING
21	153719	1	PUNTALINO	PIN	49	150093	2	BOCCOLA	BUSHING
22	154698	1	PASTIGLIA CONTENIMENTO PUNTALINO	PIN CONTAINING PAD	50	106500	2	BOCCOLA	BUSHING
23	11057476	1	ANELLO D'ARRESTO	STOP RING	51	176212	1	VITE	SCREW
24	13541224	2	PRIGIONIERO	STUD	52	175729	2	BOCCOLA	BUSHING
25	13541524	2	PRIGIONIERO	STUD	53	142245	2	VITE	SCREW
26	13541624	2	PRIGIONIERO	STUD					
27	13542024	2	PRIGIONIERO	STUD					
28	125717	2	GRANO CENTRAGGIO	CENTERING DOWEL					



**456MGT/GTA**

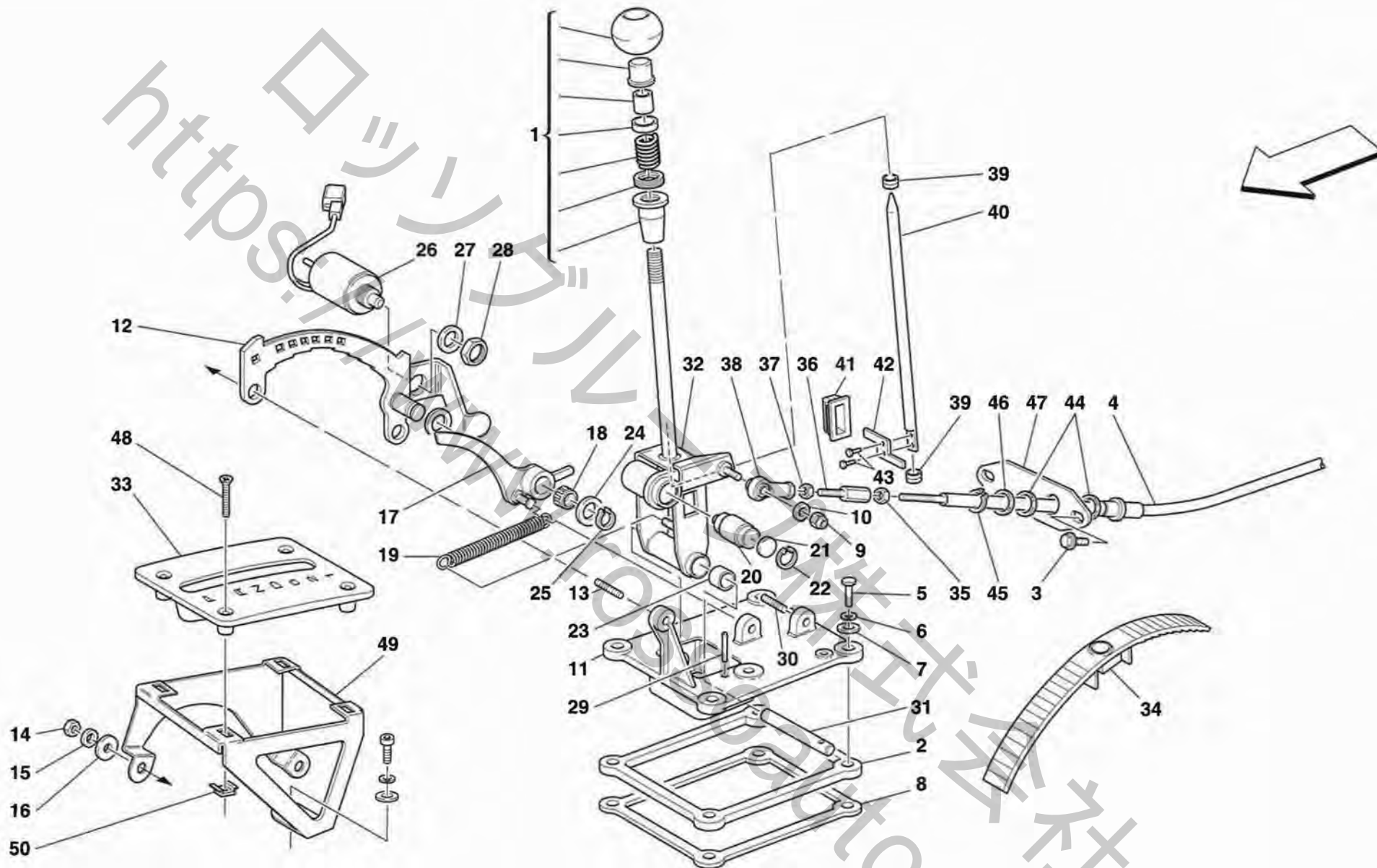
COMANDI ESTERNI CAMBIO -No per 456M GTA-  
 OUTSIDE GEARBOX CONTROLS -Not for 456M GTA-

TAV. 35

DATA: OTTOBRE '98



Rif	Dis.N° Part.N°	Q.ty	Denominazione	Description	Rif	Dis.N° Part.N°	Q.ty	Denominazione	Description
1	63964300	1	RIPARO	SHIELD	-	157961	1	CORNICE	FRAME
2	156712	1	POMELLO	KNOB				-Vale per GD-	-Valid for GD-
3	108010	1	CONTRODADO	COUNTER NUT	25	10444621	6	VITE	SCREW
4	178741	1	LEVA COMANDO CAMBIO	CONTROL LEVER	26	145773	2	GUARNIZIONE	GASKET
			-No per GD-	-Not for GD-	27	143775	2	BOCCOLA A SFERE	BEARING BUSH
	171763	1	LEVA COMANDO CAMBIO	CONTROL LEVER	28	14058519	8	DADO	NUT
			-Vale per GD-	-Valid for GD-	29	175111	1	BARRA COMANDO CAMBIO ANTERIORE	FRONT CONTROL BAR FOR GEAR BOX
5	146994	1	SPINA	PIN	30	12601374	8	ROSETTA	WASHER
6	171831	1	SELETTORE MARCE	GEAR SELECTOR	31	175112	1	BARRA COMANDO CAMBIO POSTERIORE	REAR CONTROL BAR FOR GEAR BOX
			-No per GD-	-Not for GD-	32	155473	1	MORSETTO	CONNECTION
7	157883	4	VITE	SCREW	33	169976	1	FISSAGGIO PER BARRA	BAR FIXING
			-No per GD-	-Not for GD-	34	16043624	2	VITE	SCREW
8	168955	1	GUARNIZIONE	GASKET	35	127496	2	ROSETTA	WASHER
			-No per GD-	-Not for GD-	36	157453	1	TORRETTA	TURRET
9	154741	1	BOCCOLA PER MOLLA E SFERA	BUSHING FOR SPRING AND BALL				-Vale per GD-	-Valid for GD-
10	14303024	4	VITE	SCREW	37	16043724	4	VITE	SCREW
11	155435	1	TORRETTA	TURRET	38	12601374	4	ROSETTA	WASHER
			-No per GD-	-Not for GD-	39	158341	1	GUARNIZIONE	GASKET
12	159137	1	MOLLA	SPRING				-Vale per GD-	-Valid for GD-
13	154745	1	SFERA	BALL	40	159762	1	RASAMENTO	SPACER
14	154744	1	PUNTALINO	PIN				-Di eventuale montaggio-	-Possible fitting-
15	103318	1	MOLLA	SPRING	41	171823	1	GUARNIZIONE	GASKET
16	156101	1	DISCHETTO	PLATE				-Vale per GD-	-Valid for GD-
17	103326	1	ANELLO SEEGER	SEEGER RING	42	156100	4	VITE	SCREW
18	12601574	1	ROSETTA	WASHER				-Vale per GD-	-Valid for GD-
19	115980	1	INTERRUTTORE RETROMARCIA	REVERSE GEAR SWITCH	43	175705	1	SELETTORE MARCE	GEAR SELECTOR
20	155813	1	GUARNIZIONE	GASKET				-Vale per GD-	-Valid for GD-
			-No per GD-	-Not for GD-	44	125515	2	VITE	SCREW
21	127446	1	SEDE SFERICA SNODO	BALL JOINT SEAT	45	102948	2	DADO	NUT
22	155480	1	BILANCIERE NELLA TORRETTA	ROCKER IN TURRET	46	125516	4	ROSETTA	WASHER
23	156128	1	SOFFIETTO	RUBBER BOOT	47	163926	2	TAMPONE	PAD
			-No per GD-	-Not for GD-					
	157962	1	SOFFIETTO	RUBBER BOOT					
			-Vale per GD-	-Valid for GD-					
24	156129	1	CORNICE	FRAME					
			-No per GD-	-Not for GD-					



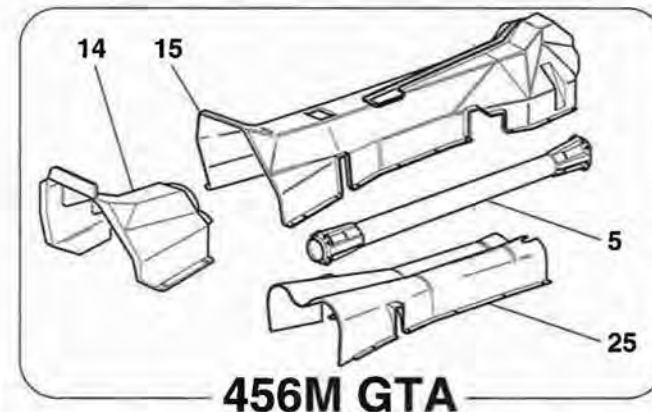
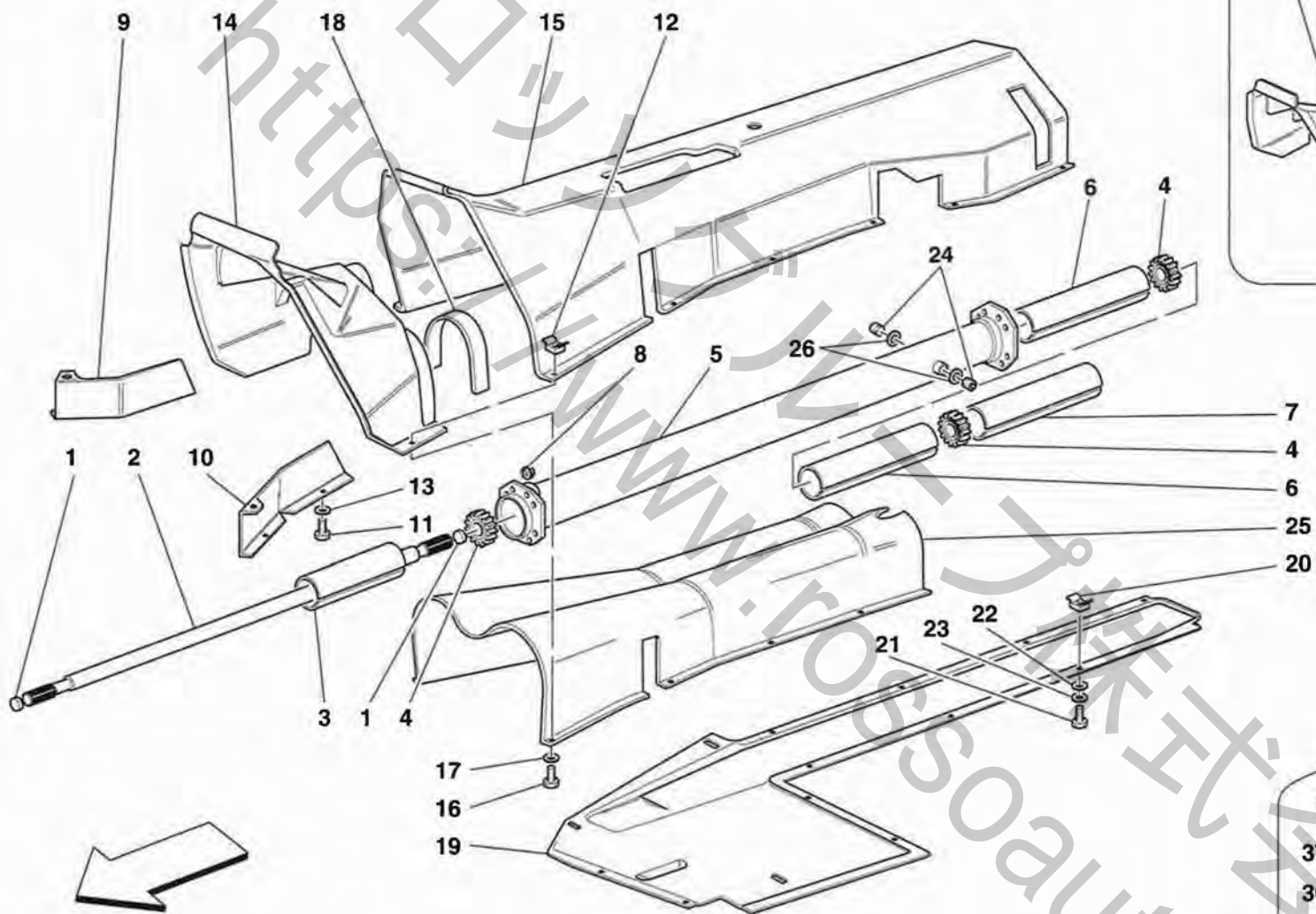
**456MGT/GTA**

*COMANDI ESTERNI CAMBIO -Vale per 456M GTA-*  
*OUTSIDE GEARBOX CONTROLS -Valid for 456M GTA-*

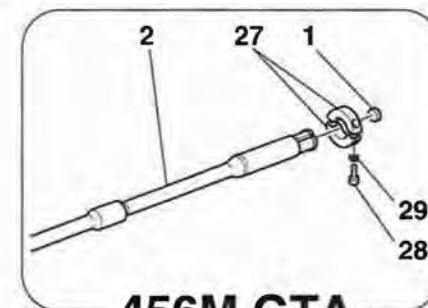
**TAV. 36**

DATA: OTTOBRE '98

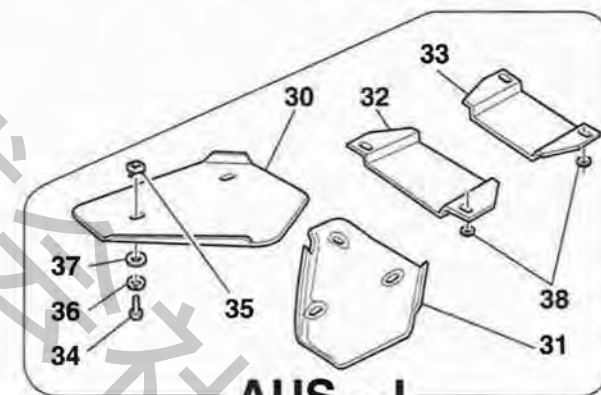
Rif	Dis.N° Part.N°	Q.ty	Denominazione	Description	Rif	Dis.N° Part.N°	Q.ty	Denominazione	Description
1	171224	1	POMELLO COMPLETO	COMPLETE KNOB	30	11500224	2	PRIGIONIERO	STUD
2	171142	1	GUARNIZIONE	GASKET	31	171221	1	PERNO	PIN
3	13836521	2	VITE	SCREW	32	171027	1	LEVA COMANDO CAMBIO	GEARBOX CONTROL LEVER
4	178697	1	CAVO PUSH-PULL COMANDO CAMBIO	GEARBOX CONTROL PUSH-PULL CABLE	33	176092	1	PIASTRA RIFERIMENTO MARCE	GEAR SELECTOR PLATE
5	16043724	4	VITE	SCREW	-	177061	1	PIASTRA RIFERIMENTO MARCE	GEAR SELECTOR PLATE
6	127496	4	ROSETTA	WASHER				-No per GD-	-Not for GD-
7	108242	4	ROSETTA	WASHER				-Vale per GD-	-Valid for GD-
8	172306	1	RASAMENTO	SPACER	34	65190200	1	TENDINA RICOPRIMENTO SEDE ASTA CAMBIO	COVER FOR GEARBOX CONTROL ROD SEAT
9	102741	1	DADO	NUT	35	10725914	1	DADO	NUT
10	10519424	1	ROSETTA	WASHER	36	171199	1	COLONNETTA	STUD
11	170948	1	BASE PER TORRETTA	BASE FOR TURRET	37	10727311	1	DADO	NUT
12	175125	1	SELETTORE MARCE	GEAR SELECTOR	38	171201	1	SNODO SFERICO	BALL JOINT
13	171401	2	PERNO	PIN	39	169973	2	BOCCOLA	BUSHING
14	15896214	3	DADO	NUT	40	171191	1	TIRANTE	TIE ROD
15	12601274	3	ROSETTA	WASHER	41	168960	2	GUIDA	GUIDE
16	10523424	3	ROSETTA	WASHER	42	171032	1	PIASTRINA	PLATE
17	177894	1	BILANCIERE	ROCKER	43	14418031	2	VITE	SCREW
18	171187	1	ASTUCCIO A RULLINI	ROLLER CASING	44	171189	2	DISTANZIALE	SPACER
19	171222	1	MOLLA	SPRING	45	11087376	1	ANELLO ELASTICO	FLEXIBLE RING
20	153719	1	PUNTALINO	PIN	46	171188	2	DISTANZIALE	SPACER
21	154698	1	PASTIGLIA	PAD	47	175124	1	STAFFA	BRACKET
22	11057476	1	ANELLO D'ARRESTO	STOP RING	48	157883	4	VITE	SCREW
23	163768	2	ASTUCCIO A RULLINI	ROLLER CASING	49	176052	1	STAFFA SUPPORTO SELETTORE MARCE	GEAR SELECTOR SUPPORTING BRACKET
24	165791	1	RONDELLA	WASHER				-No per GD-	-Not for GD-
25	11065474	1	ANELLO SEEGER	SEEGER RING	-	177088	1	STAFFA SUPPORTO SELETTORE MARCE	GEAR SELECTOR SUPPORTING BRACKET
26	169990	1	ELETTROMAGNETE	ELECTRO-MAGNET				-Vale per GD-	-Valid for GD-
27	60772600	1	ROSETTA	WASHER	50	176053	4	DADO	NUT
28	60538800	1	GHIERA	RING NUT					
29	13904970	1	SPINA ELASTICA	FLEXIBLE PIN					



**456M GTA**



**456M GTA**



**AUS - J**

**456MGT/GTA**

*TUBO COLLEGAMENTO MOTORE - CAMBIO E ISOLAMENTO*  
*ENGINE CONNECTION TUBE - GEARBOX AND INSULATION*

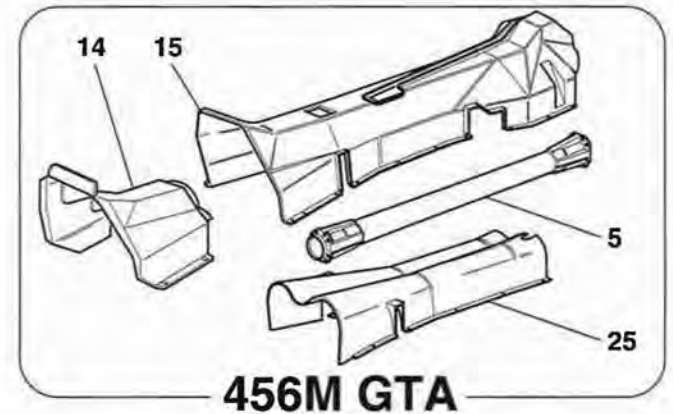
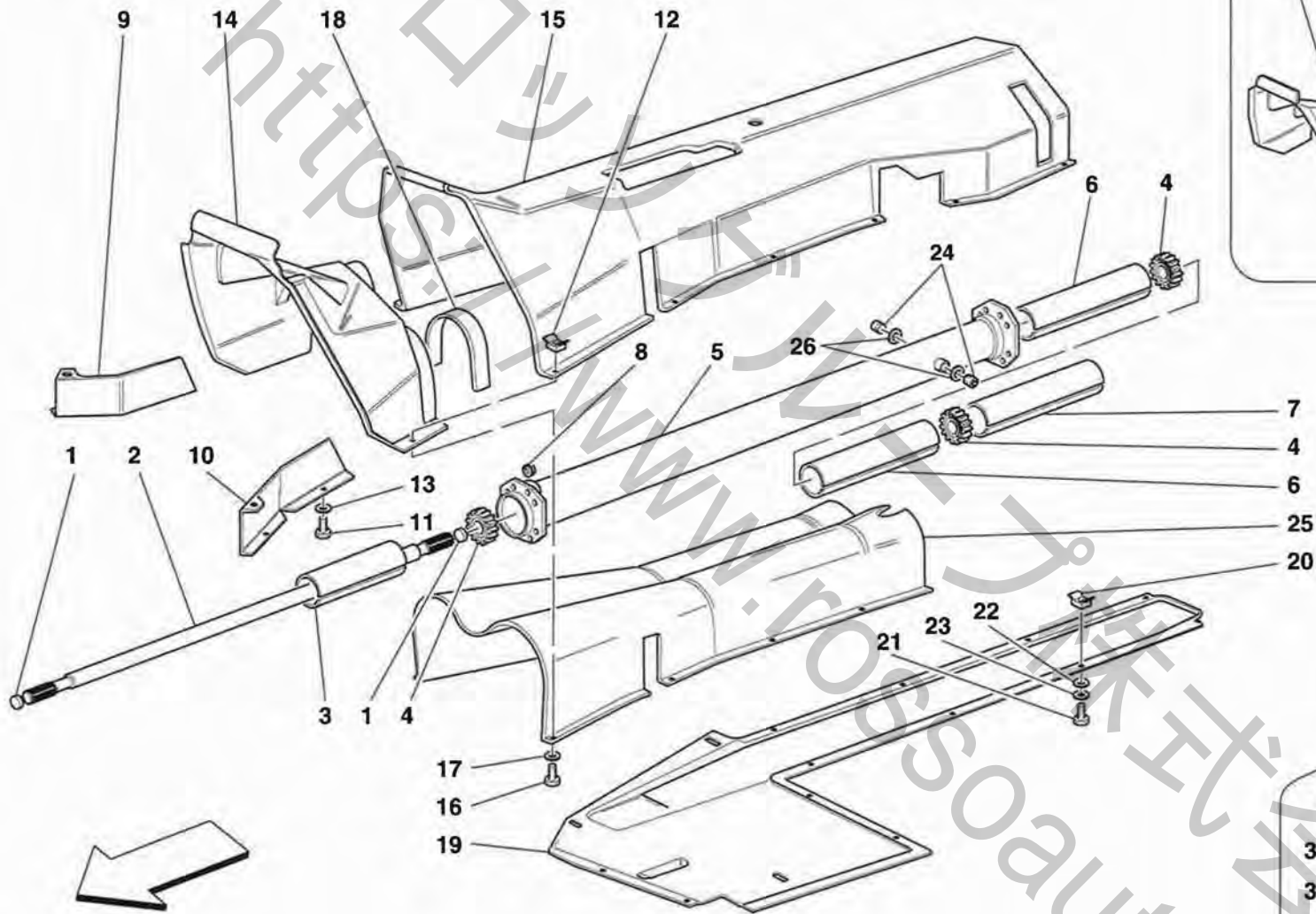
TAV. 37

DATA: OTTOBRE '98

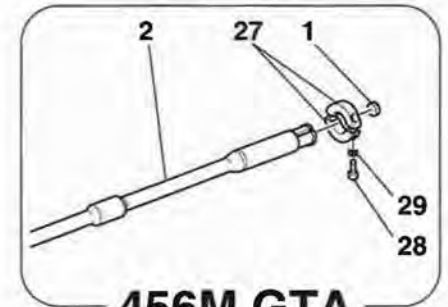


Rif	Dis.N° Part.N°	Q.ty	Denominazione	Description
1	144443	2	DISTANZIALE	SPACER
2	154501	1	ALBERO DI TRASMISSIONE	PROPELLER SHAFT
-	172565	1	ALBERO DI TRASMISSIONE	PROPELLER SHAFT
			-Vale per 456M GTA-	-Not for 456M GTA-
3	157055	1	DISTANZIALE LATO MOTORE	ENGINE SIDE SPACER
-	162448	1	DISTANZIALE LATO MOTORE	ENGINE SIDE SPACER
			-Vale per 456M GTA-	-Valid for 456M GTA-
4	155564	3	CUSCINETTO	BEARING
-	168319	3	CUSCINETTO	BEARING
			-Vale per 456M GTA-	-Valid for 456M GTA-
5	175106	1	TUBO COLLEGAMENTO MOTORE-CAMBIO	ENGINE-GEARBOX CONNECTING PIPE
-	176907	1	TUBO COLLEGAMENTO MOTORE-CAMBIO	ENGINE-GEARBOX CONNECTING PIPE
			-Vale per 456M GTA-	-Valid for 456M GTA-
6	157057	2	DISTANZIALE INTERMEDIO	INTERMEDIATE SPACER
-	162447	2	DISTANZIALE INTERMEDIO	INTERMEDIATE SPACER
			-Vale per 456M GTA-	-Valid for 456M GTA-
7	157056	1	DISTANZIALE LATO CAMBIO	GEARBOX SIDE SPACER
-	169800	1	DISTANZIALE LATO CAMBIO	GEARBOX SIDE SPACER
			-Vale per 456M GTA-	-Valid for 456M GTA-
8	156462	16	DADO	NUT
9	65505900	1	PARATIA RIPARO CALORE DX.	R.H. HEAT PROTECTION SHIELD
10	65506100	1	PARATIA RIPARO CALORE SX.	L.H. HEAT PROTECTION SHIELD
11	10902124	6	VITE	SCREW
12	65774200	20	DADO CON GABBIA	NUT WITH CAGE
13	14488670	6	ROSETTA	WASHER
14	64234200	1	PARATIA RIPARO CALORE PER CAMPANA FRIZIONE	HEAT PROTECTION SHIELD FOR CLUTCH HOUSING
-	65648900	1	PARATIA RIPARO CALORE PER CAMPANA FRIZIONE	HEAT PROTECTION SHIELD FOR CLUTCH HOUSING
			-Vale per 456M GTA-	-Valid for 456M GTA-
15	63964100	1	OSSATURA TUNNEL	TUNNEL ASSEMBLY
			-No per 456M GTA-	-Not for 456M GTA-

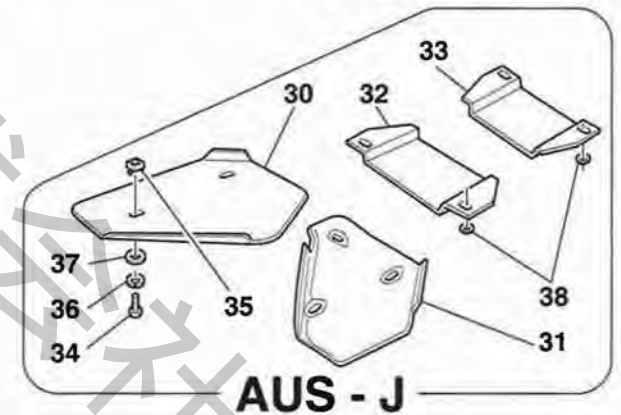
Rif	Dis.N° Part.N°	Q.ty	Denominazione	Description
-	65649100	1	OSSATURA TUNNEL	TUNNEL ASSEMBLY
			-Vale per 456M GTA-	-Valid for 456M GTA-
16	10902380	20	VITE	SCREW
17	12643770	20	ROSETTA	WASHER
18	63940000	1	SOFFIETTO	RUBBER BOOT
-	64888600	1	SOFFIETTO	RUBBER BOOT
			-No per 456M GTA-	-Not for 456M GTA-
			-Vale per 456M GTA-	-Valid for 456M GTA-
19	63939700	1	PARATIA SOTTOPIANALE SX.	L.H. UNDERFLOOR SHIELD
-	63939600	1	PARATIA SOTTOPIANALE DX.	R.H. UNDERFLOOR SHIELD
20	65774200	30	DADO CON GABBIA	NUT WITH CAGE
21	10902180	30	VITE	SCREW
22	127494	30	ROSETTA	WASHER
23	14488670	16	ROSETTA	WASHER
-	12643770	14	ROSETTA	WASHER
			-Fissaggio parte ant.-	-Front part-
24	162393	2	TAPPO FILETTATO	THREADED PLUG
			-No per 456M GTA-	-Not for 456M GTA-
25	155474	1	PARATIA TUNNEL	TUNNEL SHIELD
-	65649300	1	PARATIA TUNNEL	TUNNEL SHIELD
			-Vale per 456M GTA-	-Valid for 456M GTA-
26	10520224	2	ROSETTA	WASHER
			-No per 456M GTA-	-Not for 456M GTA-
27	172558	2	MANICOTTO	SLEEVE
			-Vale per 456M GTA-	-Valid for 456M GTA-
28	14306524	2	VITE	SCREW
			-Vale per 456M GTA-	-Valid for 456M GTA-
29	10569373	2	ROSETTA	WASHER
			-Vale per 456M GTA-	-Valid for 456M GTA-
30	158292	1	PARATIA ANTERIORE DX.	R.H. FRONT SHIELD
			-Vale per AUS e J-	-Valid for AUS and J-
31	158293	1	PARATIA ANTERIORE SX.	L.H. FRONT SHIELD
			-Vale per AUS e J-	-Valid for AUS and J-
32	178561	1	PARATIA CENTRALE	CENTRAL SHIELD
			-Vale per AUS e J-	-Valid for AUS and J-
33	178562	1	PARATIA POSTERIORE	REAR SHIELD
			-Vale per AUS e J-	-Valid for AUS and J-
34	10902180	6	VITE	SCREW
			-Vale per AUS e J-	-Valid for AUS and J-
35	60659100	6	DADO CON GABBIA	NUT WITH CAGE
			-Vale per AUS e J-	-Valid for AUS and J-



**456M GTA**



**456M GTA**



**AUS - J**

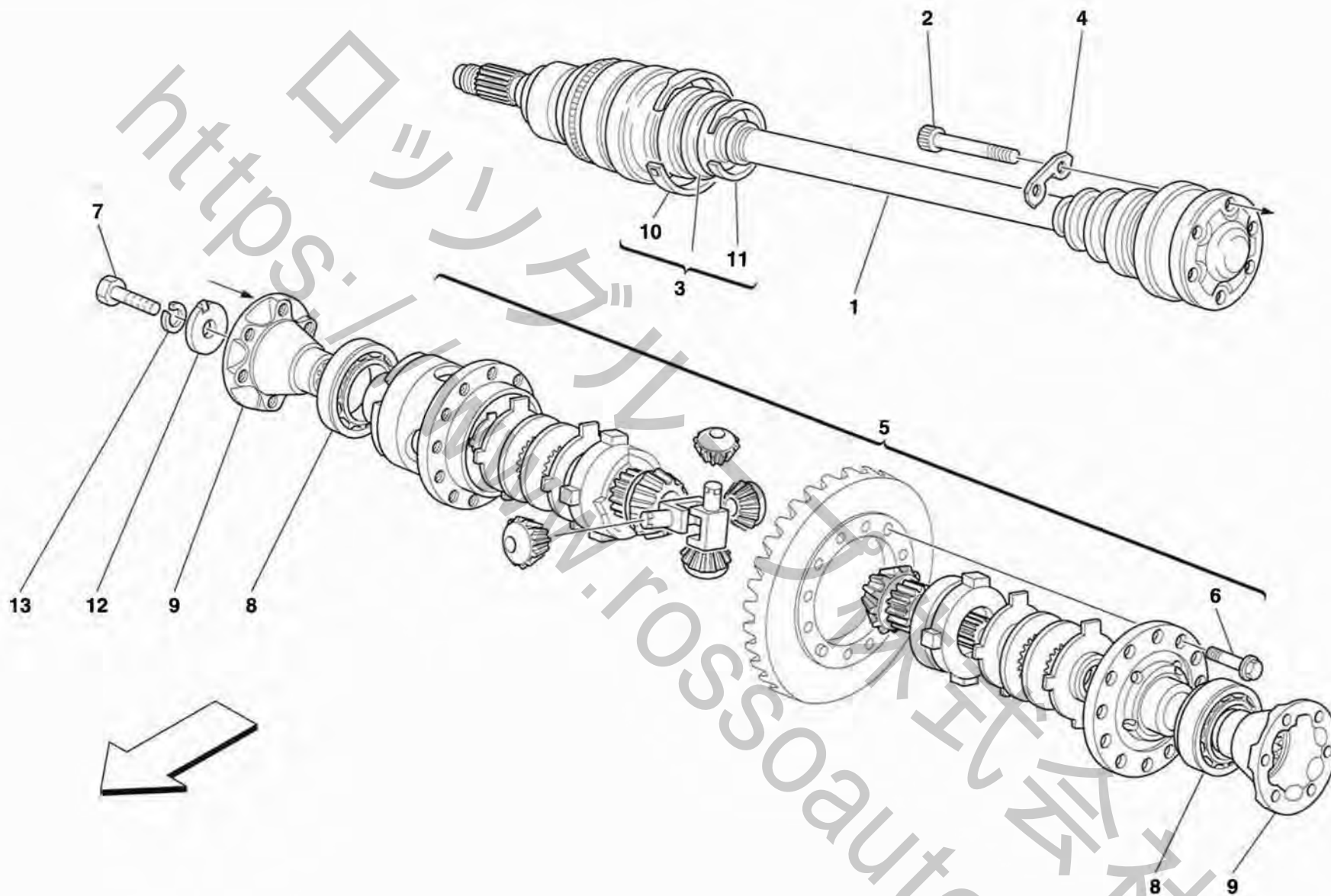
**456MGT/GTA**

*TUBO COLLEGAMENTO MOTORE - CAMBIO E ISOLAMENTO*  
*ENGINE CONNECTION TUBE - GEARBOX AND INSULATION*

TAV. 37

DATA: OTTOBRE '98

<i>Rif</i>	<i>Dis.N° Part.N°</i>	<i>Q.ty</i>	<i>Denominazione</i>	<i>Description</i>	<i>Rif</i>	<i>Dis.N° Part.N°</i>	<i>Q.ty</i>	<i>Denominazione</i>	<i>Description</i>
36	127494	6	ROSETTA -Vale per AUS e J-	WASHER -Valid for AUS and J-	38	12625224	4	ROSETTA -Vale per AUS e J-	WASHER -Valid for AUS and J-
37	12643770	6	ROSETTA -Vale per AUS e J-	WASHER -Valid for AUS and J-					



**456MGT/GTA**

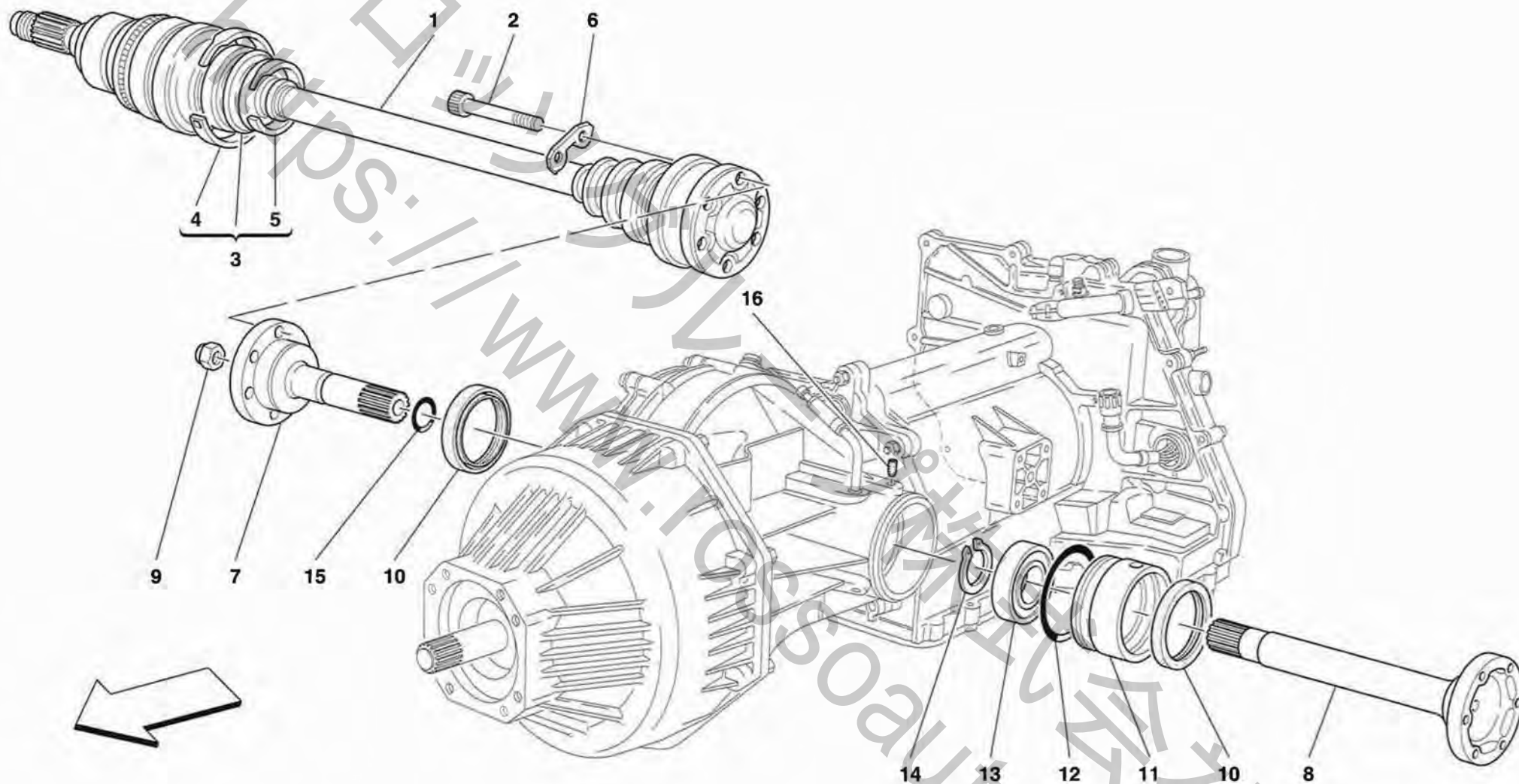
*DIFFERENZIALE E SEMIASSE -No per 456M GTA-*  
*DIFFERENTIAL AND AXLE SHAFT -Not for 456M GTA-*

**TAV. 38**

DATA: OTTOBRE '98



Rif	Dis.N° Part.N°	Q.ty	Denominazione	Description	Rif	Dis.N° Part.N°	Q.ty	Denominazione	Description
1	165072	2	<b>SEMIASSE COMPLETO</b>	<b>AXLE SHAFT</b>	6	162920	12	VITE	SCREW
2	164483	12	VITE	SCREW	7	153589	2	VITE	SCREW
3	70000867	2	KIT SOSTITUZIONE CUFFIA -Lato cambio-	PROTECTION REPLACEMENT SET -Gearbox side-	8	125390	2	CUSCINETTO	BEARING
-	70000782	2	KIT SOSTITUZIONE CUFFIA -Lato ruota-	PROTECTION REPLACEMENT SET -Wheel side-	9	139898	2	FLANGIA ATTACCO SEMIASSE	FLANGE FOR AXLE COUPLING
4	149415	6	PIASTRINA RASAMENTO	SCRAPING PLATE	10	154214	4	FASCETTA GRANDE	BIG CLAMP
5	162924	1	<b>DIFFERENZIALE COMPLETO</b>	<b>DIFFERENTIAL COMPLETE</b>	11	154213	4	FASCETTA PICCOLA	LITTLE CLAMP
					12	153591	2	DISTANZIALE	SPACER
					13	153590	2	ANELLO DI SICUREZZA	RING



**456MGT/GTA**

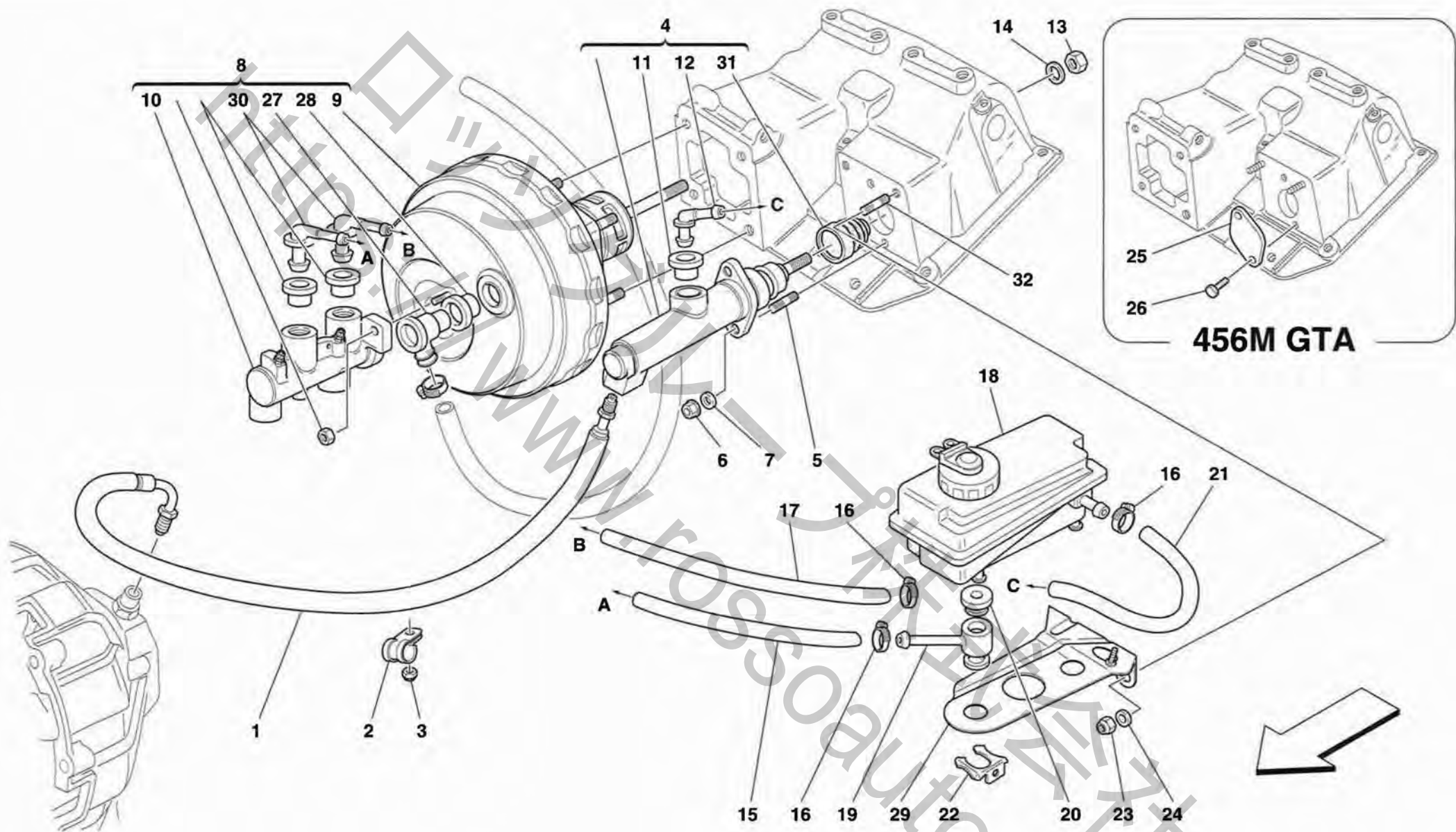
*FLANGE E SEMIASSE -Vale per 456M GTA-*

*FLANGES AND AXLE SHAFT -Valid for 456M GTA-*

**TAV. 39**

DATA: OTTOBRE '98

<i>Rif</i>	<i>Dis.N° Part.N°</i>	<i>Q.ty</i>	<i>Denominazione</i>	<i>Description</i>	<i>Rif</i>	<i>Dis.N° Part.N°</i>	<i>Q.ty</i>	<i>Denominazione</i>	<i>Description</i>
1	162464	2	SEMIASSE COMPLETO	AXLE SHAFT	8	173689	1	FLANGIA SX.	L.H. FLANGE
2	164483	12	VITE	SCREW	9	169546	1	DADO	NUT
3	70000867	2	KIT SOSTITUZIONE CUFFIA -Lato cambio-	PROTECTION REPLACEMENT SET -Gearbox side-	10	172491	2	ANELLO DI TENUTA	SEAL RING
-	70000868	2	KIT SOSTITUZIONE CUFFIA -Lato ruota-	PROTECTION REPLACEMENT SET -Wheel side-	11	172547	1	BUSTA PORTACUSCINETTO	BAG FOR BEARINGS
4	154214	4	FASCETTA GRANDE	BIG CLAMP	12	170837	1	GUARNIZIONE O.R.	O.R. GASKET
5	154213	4	FASCETTA PICCOLA	LITTLE CLAMP	13	173690	1	CUSCINETTO	BEARING
6	149415	6	PIASTRINA RASAMENTO	SCRAPING PLATE	14	173691	1	ANELLO SEEGER	SEEGER RING
7	170958	1	FLANGIA DX.	R.H. FLANGE	15	171621	1	GUARNIZIONE O.R.	O.R. GASKET
					16	173615	1	GRANO	DOWEL



**456MGT/GTA**

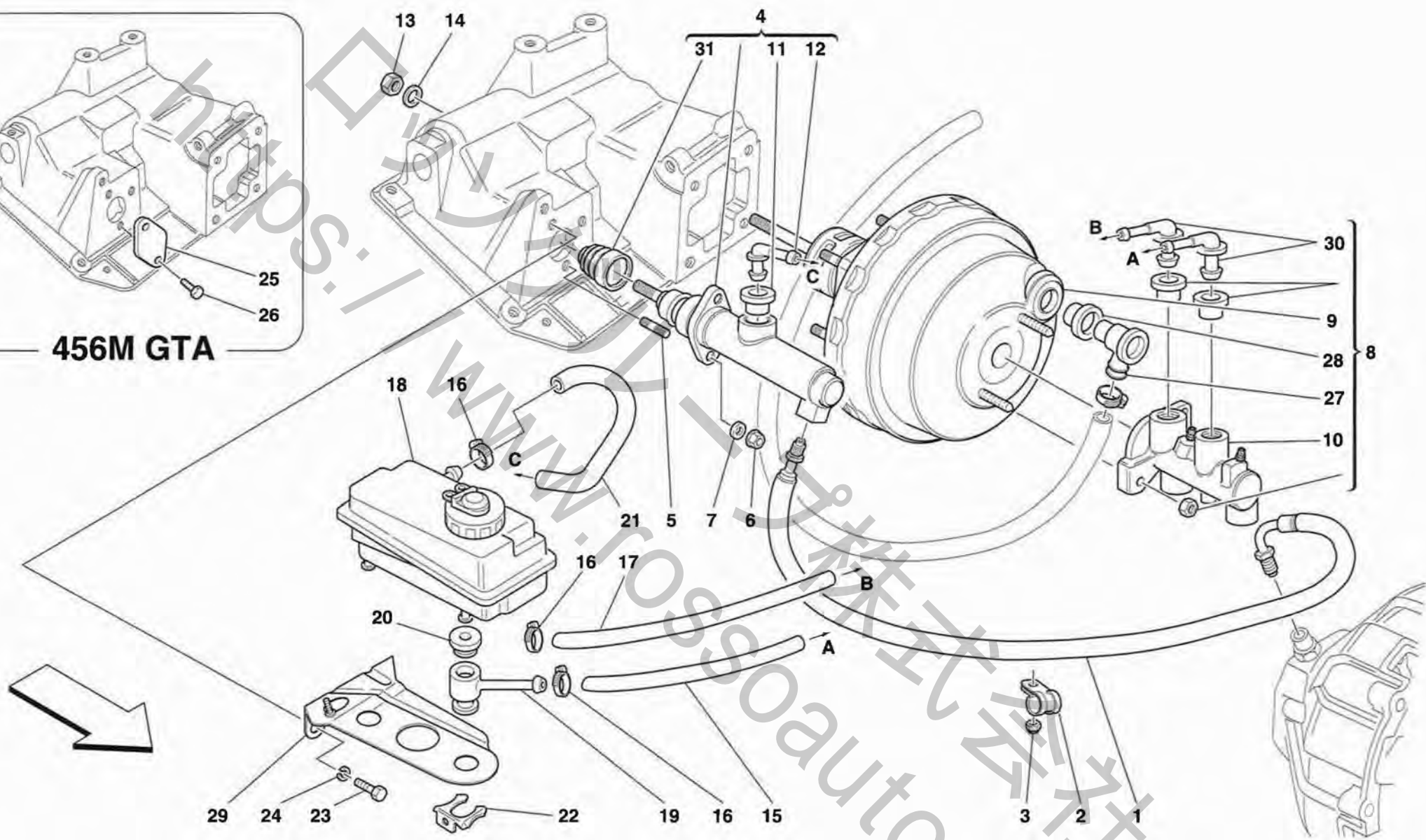
*COMANDO IDRAULICO FRENI E FRIZIONE -No per GD-*  
*BRAKE AND CLUTCH HYDRAULIC SYSTEM -Not for GD-*

**TAV. 40**

DATA: OTTOBRE '98



Rif	Dis.N° Part.N°	Q.ty	Denominazione	Description	Rif	Dis.N° Part.N°	Q.ty	Denominazione	Description
1	154009	1	TUBO COMANDO FRIZIONE -No per 456M GTA-	CLUTCH CONTROL TUBE -Not for 456M GTA-	16	13000190	6	COLLARE A VITE -Per 456M GTA Q.tà 4-	SCREW COLLAR -For 456M GTA Q.ty 4-
2	10441590	2	STAFFETTA CON GUAINA -No per 456M GTA-	BRACKET WITH SHEATH -Not for 456M GTA-	17	123266	1	TUBO GOMMA	RUBBER PIPE
3	102948	2	DADO -No per 456M GTA-	NUT -Not for 456M GTA-	18	173866	1	VASCHETTA LIQUIDO FRENI COMPLETA	COMPLETE PAN FOR BRAKE LIQUID
4	175211	1	POMPA COMANDO FRIZIONE -No per 456M GTA-	CLUTCH PUMP -Not for 456M GTA-	19	113116	2	RACCORDO	UNION
5	13516824	2	PRIGIONIERO -No per 456M GTA-	STUD -Not for 456M GTA-	20	106625	2	GOMMINO	RUBBER
6	133215	2	DADO -No per 456M GTA-	NUT -Not for 456M GTA-	21	123266	1	TUBO GOMMA -No per 456M GTA-	RUBBER PIPE -Not for 456M GTA-
7	12601374	2	ROSETTA -No per 456M GTA-	WASHER -Not for 456M GTA-	22	110810	2	PIASTRINA ELASTICA	ELASTIC PLATE
8	177034	1	SERVOFRENO COMPLETO	COMPLETE BRAKE BOOSTER	23	104030	2	DADO	NUT
9	178528	1	BOOSTER	BOOSTER	24	12638524	2	ROSETTA	WASHER
10	171782	1	POMPA FRENI	BRAKE PUMP	25	163651	1	FLANGIA CHIUSURA FORO -Vale per 456M GTA-	FLANGE -Valid for 456M GTA-
11	175189	1	ANELLO DI TENUTA -No per 456M GTA-	SEAL RING -Not for 456M GTA-	26	16043021	2	VITE -Vale per 456M GTA-	SCREW -Valid for 456M GTA-
12	175188	1	RACCORDO -No per 456M GTA-	UNION -Not for 456M GTA-	27	144552	1	RACCORDO	UNION
13	147985	4	DADO	NUT	28	151475	1	ANELLO PASSAFILO	CABLE GROMMET
14	12601374	4	ROSETTA	WASHER	29	174569	1	SUPPORTO SERBATOIO OLIO FRENI	BRAKE OIL TANK SUPPORT
15	105857	1	TUBO GOMMA	RUBBER PIPE	30	173871	2	RACCORDO	UNION
					31	175212	1	CUFFIA PARAPOLVERE -No per 456M GTA-	PROTECTION BOOT -Not for 456M GTA-
					32	13516824	2	PRIGIONIERO	STUD



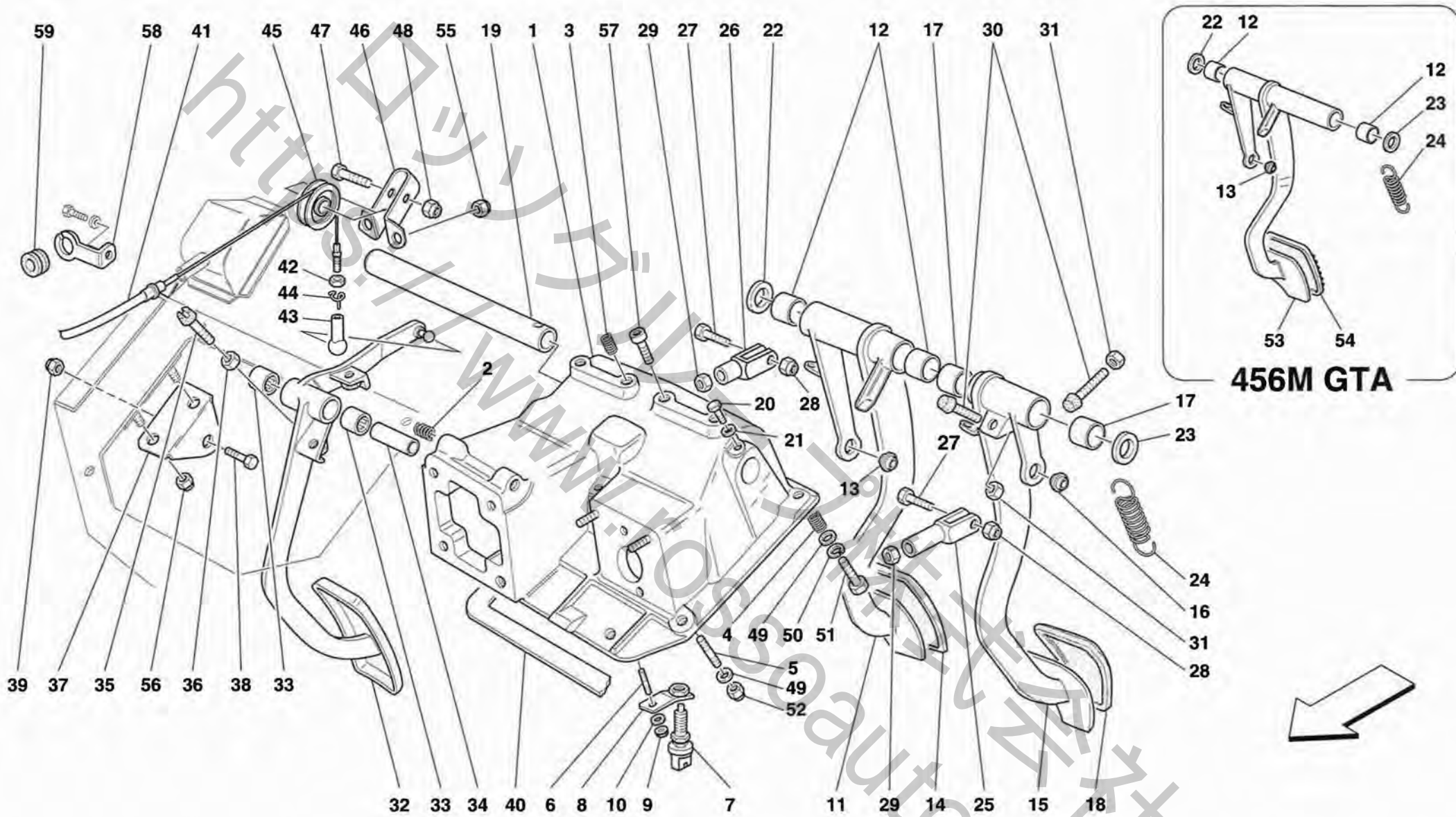
**456MGT/GTA**

*COMANDO IDRAULICO FRENI E FRIZIONE -Vale per GD-*  
*BRAKE AND CLUTCH HYDRAULIC SYSTEM -Valid for GD-*

**TAV. 41**

DATA: OTTOBRE '98

Rif	Dis.N° Part.N°	Q.ty	Denominazione	Description	Rif	Dis.N° Part.N°	Q.ty	Denominazione	Description
1	178276	1	TUBO COMANDO FRIZIONE -No per 456M GTA-	CLUTCH CONTROL TUBE -Not for 456M GTA-	15	105857	1	TUBO GOMMA	RUBBER PIPE
2	10441590	1	STAFFETTA CON GUAINA -No per 456M GTA-	BRACKET WITH SHEATH -Not for 456M GTA-	16	13000190	6	COLLARE A VITE -Per 456M GTA Q.tà 4-	SCREW COLLAR -For 456M GTA Q.ty 4-
3	102948	1	DADO -No per 456M GTA-	NUT -Not for 456M GTA-	17	114263	1	TUBO GOMMA	RUBBER PIPE
4	175211	1	POMPA COMANDO FRIZIONE -No per 456M GTA-	CLUTCH PUMP -Not for 456M GTA-	18	173866	1	VASCHETTA LIQUIDO FRENI COMPLETA	COMPLETE PAN FOR BRAKE LIQUID
5	13516824	2	PRIGIONIERO -No per 456M GTA-	STUD -Not for 456M GTA-	19	113116	2	RACCORDO	UNION
6	133215	2	DADO -No per 456M GTA-	NUT -Not for 456M GTA-	20	106625	2	GOMMINO	RUBBER
7	12601374	2	ROSETTA -No per 456M GTA-	WASHER -Not for 456M GTA-	21	123266	1	TUBO GOMMA -No per 456M GTA-	RUBBER PIPE -Not for 456M GTA-
8	177034	1	SERVOFRENO COMPLETO	COMPLETE BRAKE BOOSTER	22	110810	2	PIASTRINA ELASTICA	ELASTIC PLATE
9	178528	1	BOOSTER	BOOSTER	23	10902224	2	VITE	SCREW
10	171782	1	POMPA FRENI	BRAKE PUMP	24	127494	2	ROSETTA	WASHER
11	175189	1	ANELLO DI TENUTA -No per 456M GTA-	SEAL RING -Not for 456M GTA-	25	163651	1	FLANGIA CHIUSURA FORO -Vale per 456M GTA-	FLANGE -Valid for 456M GTA-
12	175188	1	RACCORDO -No per 456M GTA-	UNION -Not for 456M GTA-	26	16043021	2	VITE -Vale per 456M GTA-	SCREW -Valid for 456M GTA-
13	147985	4	DADO	NUT	27	144552	1	RACCORDO	UNION
14	12601374	4	ROSETTA	WASHER	28	151475	1	ANELLO PASSAFILO	CABLE GROMMET
					29	176293	1	SUPPORTO SERBATOIO OLIO FRENI	BRAKE OIL TANK SUPPORT
					30	173871	2	RACCORDO	UNION
					31	175212	1	CUFFIA PARAPOLVERE -No per 456M GTA-	PROTECTION BOOT -Not for 456M GTA-



**456MGT/GTA**

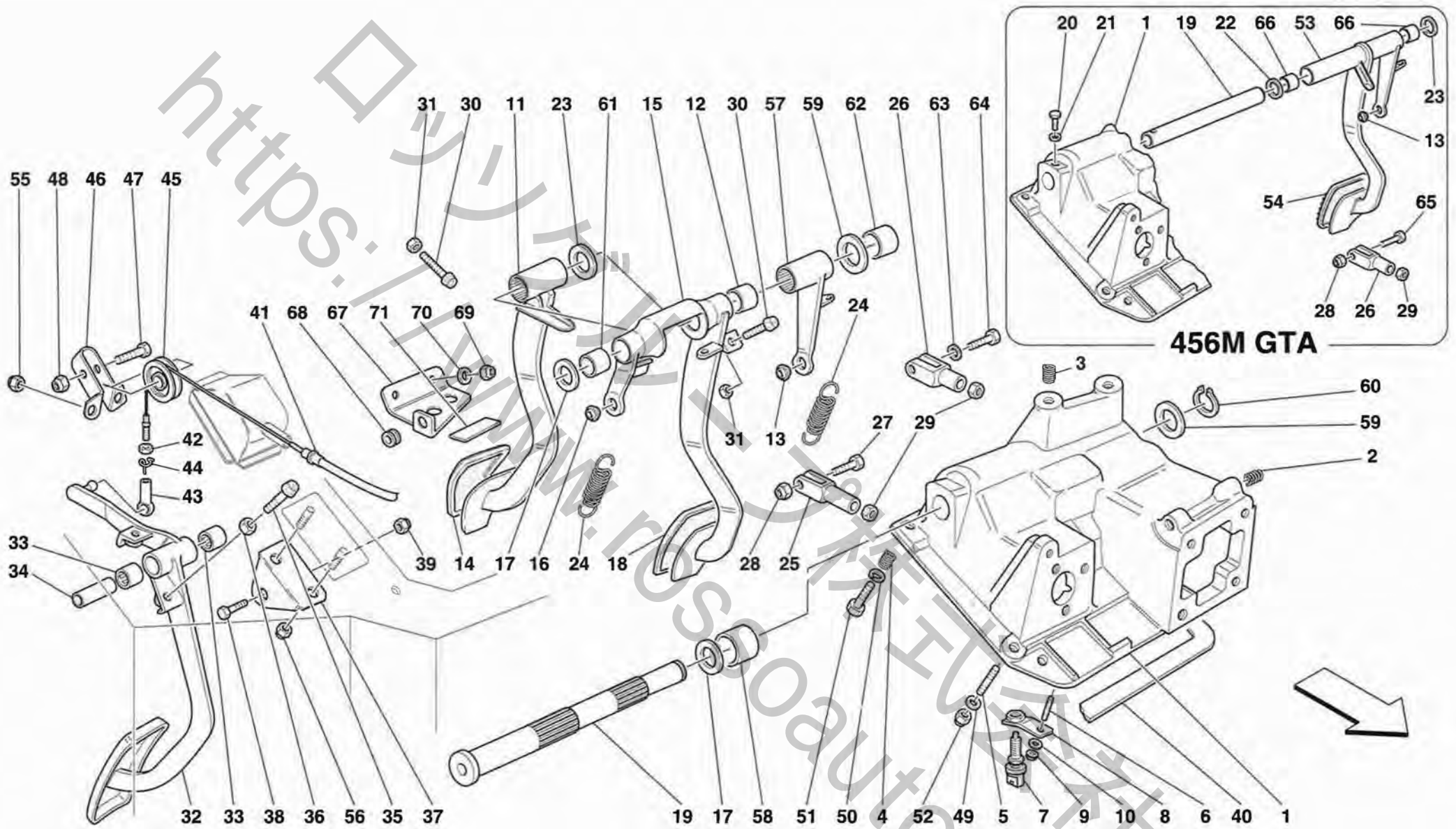
*PEDALIERA E COMANDO ACCELERATORE -No per GD-*  
*PEDALS AND ACCELERATOR CONTROL -Not for GD-*

**TAV. 42**

DATA: OTTOBRE '98



Rif	Dis.N° Part.N°	Q.ty	Denominazione	Description	Rif	Dis.N° Part.N°	Q.ty	Denominazione	Description
-	178879	1	SUPPORTO PEDALIERA COMPLETO	COMPLETE PEDAL SUPPORT	26	10007871	1	FORCELLA PER LEVA FRENO	FORK FOR BRAKE LEVER
1	175097	1	SUPPORTO PEDALIERA	PEDAL SUPPORT	27	16043621	2	VITE	SCREW
			-Non a ricambio-	-Not as spare part-				-Per 456M GTA Q.tà 1-	-For 456M GTA Q.ty 1-
			-Con il supporto pedaliera completo-	-With complete pedal support-	28	147985	2	DADO	NUT
2	13525770	2	INSERTO FILETTATO	THREADED INSERT				-Per 456M GTA Q.tà 1-	-For 456M GTA Q.ty 1-
3	13525470	4	INSERTO FILETTATO	THREADED INSERT	29	16102314	2	DADO	NUT
4	13525770	2	INSERTO FILETTATO	THREADED INSERT				-Per 456M GTA Q.tà 1-	-For 456M GTA Q.ty 1-
5	13516824	2	PRIGIONIERO	STUD	30	144011	2	PUNTALINO ARRESTO PEDALE	PIN
6	11500224	1	PRIGIONIERO	STUD	31	16102314	2	DADO	NUT
7	133555	1	INTERRUTTORE LUCI D'ARRESTO	STOP LIGHT SWITCH				-No per 456M GTA-	-Not for 456M GTA-
8	152310	1	PIASTRINO	SMALL PLATE	32	174556	1	PEDALE ACCELERATORE	ACCELERATOR PEDAL
9	14058411	1	DADO	NUT	33	101677	2	CUSCINETTO A RULLI	ROLLER BEARING
10	12646601	1	ROSETTA	WASHER	34	138219	1	PISTA A RULLINI	CARRIER BUSH
11	174244	1	PEDALE FRENO	BRAKE PEDAL	35	123961	2	PUNTALINO ARRESTO PEDALE	PIN
			-No per 456M GTA-	-Not for 456M GTA-	36	16102314	2	DADO	NUT
12	103163	2	BOCCOLA	BUSHING	37	152328	1	SUPPORTO ACCELERATORE	ACCELERATOR SUPPORT
13	109407	1	SNODO SFERICO	BALL JOINT	38	10903621	1	VITE	SCREW
14	106950	1	PROTEZIONE PEDALE FRENO	PEDAL RUBBER	39	102741	1	DADO	NUT
			-No per 456M GTA-	-Not for 456M GTA-	40	170706	1	GUARNIZIONE	GASKET
15	174245	1	PEDALE FRIZIONE	CLUTCH PEDAL	41	159536	1	CAVO ACCELERATORE	ACCELERATOR CABLE
			-No per 456M GTA-	-Not for 456M GTA-	42	15896470	1	DADO	NUT
16	109407	1	SNODO SFERICO	BALL JOINT	43	173999	1	TESTA GIUNTO SFERICO	BALL JOINT HEAD
			-No per 456M GTA-	-Not for 456M GTA-	44	174001	1	FERMAGLIO A MOLLA	CLIP
17	103163	2	BOCCOLA	BUSHING	45	157557	1	CARRUCOLA	PULLEY
			-No per 456M GTA-	-Not for 456M GTA-	46	152377	1	SUPPORTO	SUPPORT
18	106949	1	PROTEZIONE PEDALE FRIZIONE	PEDAL RUBBER	47	10902624	1	VITE	SCREW
			-No per 456M GTA-	-Not for 456M GTA-	48	102741	1	DADO	NUT
19	129954	1	PERNO SUPPORTO PEDALI	PEDALS SUPPORT PIN	49	14499401	4	ROSETTA	WASHER
20	10902224	1	VITE	SCREW	50	127496	2	ROSETTA	WASHER
21	12601274	1	ROSETTA	WASHER	51	16043324	2	VITE	SCREW
22	106083	1	ROSETTA DI RASAMENTO	SPACER WASHER	52	104030	2	DADO	NUT
23	106083	1	ROSETTA mm.1,0	WASHER mm.1.0	53	174305	1	PEDALE FRENO	BRAKE PEDAL
			-Di eventuale montaggio-	-Possible fitting-				-Vale per 456M GTA-	-Valid for 456M GTA-
-	113833	1	IDEM SPESSORE mm.1,1	DITTO THICKNESS mm.1.1	54	144237	1	PROTEZIONE PEDALE FRENO	PEDAL RUBBER
-	113834	1	IDEM SPESSORE mm.1,2	DITTO THICKNESS mm.1.2				-Vale per 456M GTA-	-Valid for 456M GTA-
-	113835	1	IDEM SPESSORE mm.1,3	DITTO THICKNESS mm.1.3	55	102948	2	DADO	NUT
-	113836	1	IDEM SPESSORE mm.1,4	DITTO THICKNESS mm.1.4	56	104030	2	DADO	NUT
24	101305	2	MOLLA	SPRING	57	13276011	2	VITE	SCREW
			-Per 456M GTA Q.tà 1-	-For 456M GTA Q.ty 1-	58	175257	1	STAFFA	BRACKET
25	164393	1	FORCELLA PER LEVA FRIZIONE	FORK FOR CLUTCH LEVER	59	10396680	1	ANELLO PASSAFILO	CABLE GROMMET
			-No per 456M GTA-	-Not for 456M GTA-					



**456MGT/GTA**

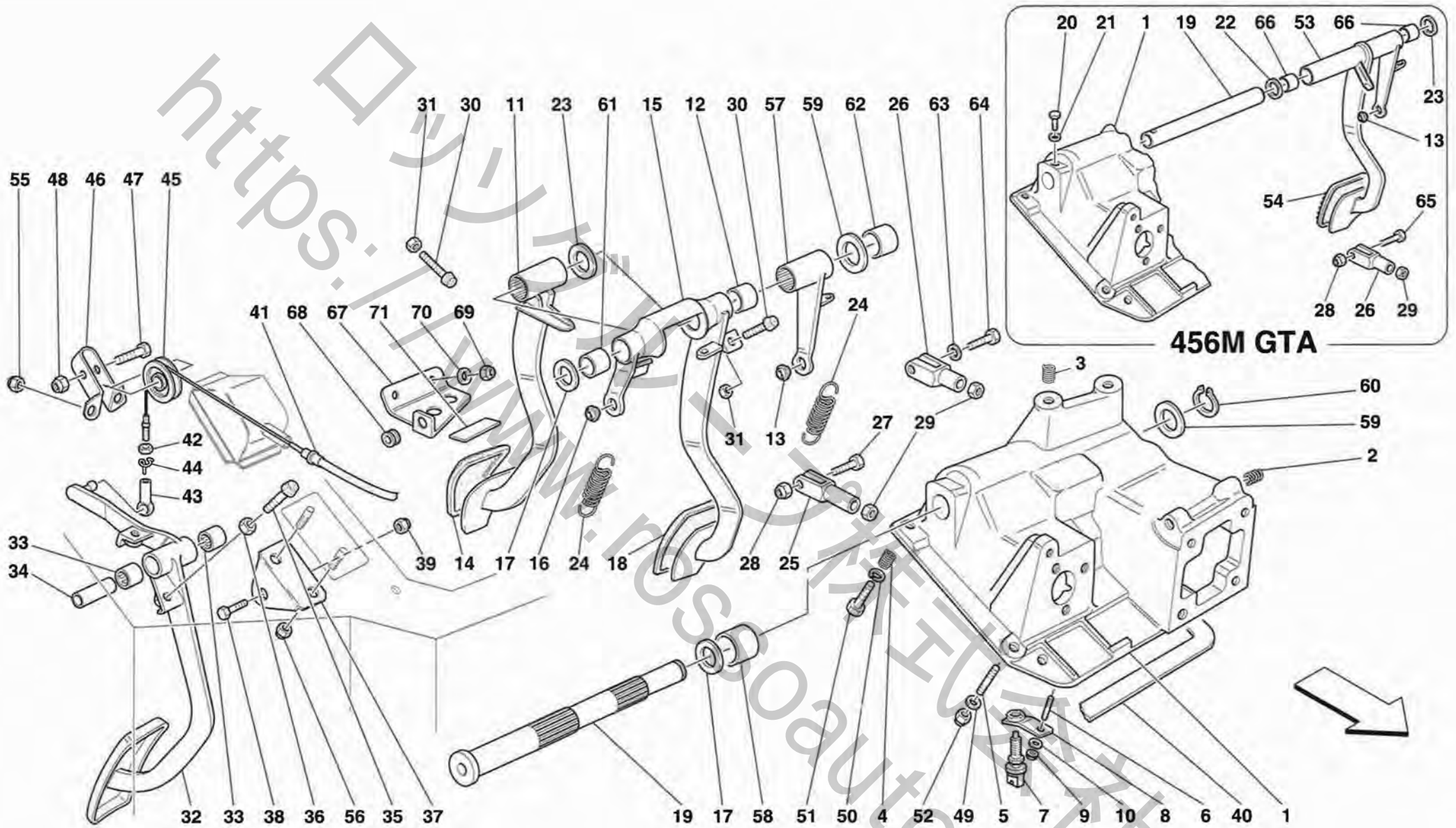
*PEDALIERA E COMANDO ACCELERATORE -Vale per GD-*  
*PEDALS AND ACCELERATOR CONTROL -Valid for GD-*

**TAV. 43**

DATA: OTTOBRE '98

Rif	Dis.N° Part.N°	Q.ty	Denominazione	Description	Rif	Dis.N° Part.N°	Q.ty	Denominazione	Description
-	179933	1	SUPPORTO PEDALIERA COMPLETO	COMPLETE PEDAL SUPPORT	20	10902224	1	VITE	SCREW
			-No per 456M GTA-	-Not for 456M GTA-				-Vale per 456M GTA-	-Valid for 456M GTA-
-	179934	1	SUPPORTO PEDALIERA COMPLETO	COMPLETE PEDAL SUPPORT	21	12601274	1	ROSETTA	WASHER
			-Vale per 456M GTA-	-Valid for 456M GTA-				-Vale per 456M GTA-	-Valid for 456M GTA-
1	176297	1	SUPPORTO PEDALIERA	PEDAL SUPPORT	22	106083	1	ROSETTA DI RASAMENTO	SPACER WASHER
			-No per 456M GTA-	-Not for 456M GTA-				-Vale per 456M GTA-	-Valid for 456M GTA-
			-Non a ricambio-	-Not as spare part-	23	106083	1	ROSETTA SPESSORE mm.1,0	WASHER THICKNESS mm.1.0
			-Con il supporto pedaliera completo-	-With complete pedal support-	-	113833	1	IDEM SPESSORE mm. 1,1	DITTO THICKNESS mm. 1.1
-	176296	1	SUPPORTO PEDALIERA	PEDAL SUPPORT				-Di eventuale montaggio-	-Possible fitting-
			-Vale per 456M GTA-	-Valid for 456M GTA-	-	113834	1	IDEM SPESSORE mm. 1,2	DITTO THICKNESS mm. 1.2
			-Non a ricambio-	-Not as spare part-				-Di eventuale montaggio-	-Possible fitting-
			-Con il supporto pedaliera completo-	-With complete pedal support-	-	113835	1	IDEM SPESSORE mm. 1,3	DITTO THICKNESS mm. 1.3
2	13525770	2	INSERTO FILETTATO	THREADED INSERT				-Di eventuale montaggio-	-Possible fitting-
3	13525470	4	INSERTO FILETTATO	THREADED INSERT	-	113836	1	IDEM SPESSORE mm. 1,4	DITTO THICKNESS mm. 1.4
4	13525770	2	INSERTO FILETTATO	THREADED INSERT				-Di eventuale montaggio-	-Possible fitting-
5	13516824	2	PRIGIONIERO	STUD	24	101305	2	MOLLA	SPRING
6	11500224	1	PRIGIONIERO	STUD				-Per 456M GTA Q.tà 1-	-For 456M GTA Q.ty 1-
7	133555	1	INTERRUTTORE LUCI D'ARRESTO	STOP LIGHT SWITCH	25	164393	1	FORCELLA PER LEVA FRIZIONE	FORK FOR CLUTCH LEVER
8	152310	1	PIASTRINO	SMALL PLATE				-No per 456M GTA-	-Not for 456M GTA-
9	14058411	1	DADO	NUT	26	176291	1	FORCELLA PER LEVA FRENO	FORK FOR BRAKE LEVER
10	12646601	1	ROSETTA	WASHER				-No per 456M GTA-	-Not for 456M GTA-
11	176275	1	PEDALE FRENO	BRAKE PEDAL	-	10007871	1	FORCELLA PER LEVA FRENO	FORK FOR BRAKE LEVER
			-No per 456M GTA-	-Not for 456M GTA-				-Vale per 456M GTA-	-Valid for 456M GTA-
12	103163	1	BOCCOLA	BUSHING	27	16043621	1	VITE	SCREW
			-No per 456M GTA-	-Not for 456M GTA-				-No per 456M GTA-	-Not for 456M GTA-
13	109407	1	SNODO SFERICO	BALL JOINT	28	147985	1	DADO	NUT
14	132819	1	PROTEZIONE PEDALE FRENO	PEDAL RUBBER	29	16102314	2	DADO	NUT
			-No per 456M GTA-	-Not for 456M GTA-				-Per 456M GTA Q.tà 1-	-For 456M GTA Q.ty 1-
15	176294	1	PEDALE FRIZIONE	CLUTCH PEDAL	30	144011	2	PUNTALINO ARRESTO PEDALE	PIN
			-No per 456M GTA-	-Not for 456M GTA-				-No per 456M GTA-	-Not for 456M GTA-
16	109407	1	SNODO SFERICO	BALL JOINT	31	16102314	2	DADO	NUT
			-No per 456M GTA-	-Not for 456M GTA-				-No per 456M GTA-	-Not for 456M GTA-
17	112125	2	ROSETTA	WASHER	32	176300	1	PEDALE ACCELERATORE	ACCELERATOR PEDAL
			-No per 456M GTA-	-Not for 456M GTA-	33	101677	2	CUSCINETTO A RULLI	ROLLER BEARING
18	132818	1	PROTEZIONE PEDALE FRIZIONE	PEDAL RUBBER	34	138219	1	PISTA A RULLINI	CARRIER BUSH
			-No per 456M GTA-	-Not for 456M GTA-	35	123961	2	PUNTALINO ARRESTO PEDALE	PIN
19	176290	1	PERNO SUPPORTO PEDALI	PEDALS SUPPORT PIN	36	16102314	2	DADO	NUT
			-No per 456M GTA-	-Not for 456M GTA-	37	176299	1	SUPPORTO ACCELERATORE	ACCELERATOR SUPPORT
-	151979	1	PERNO SUPPORTO PEDALI	PEDALS SUPPORT PIN	38	10903621	1	VITE	SCREW
			-Vale per 456M GTA-	-Valid for 456M GTA-	39	102741	1	DADO	NUT
					40	176330	1	GUARNIZIONE	GASKET





**456MGT/GTA**

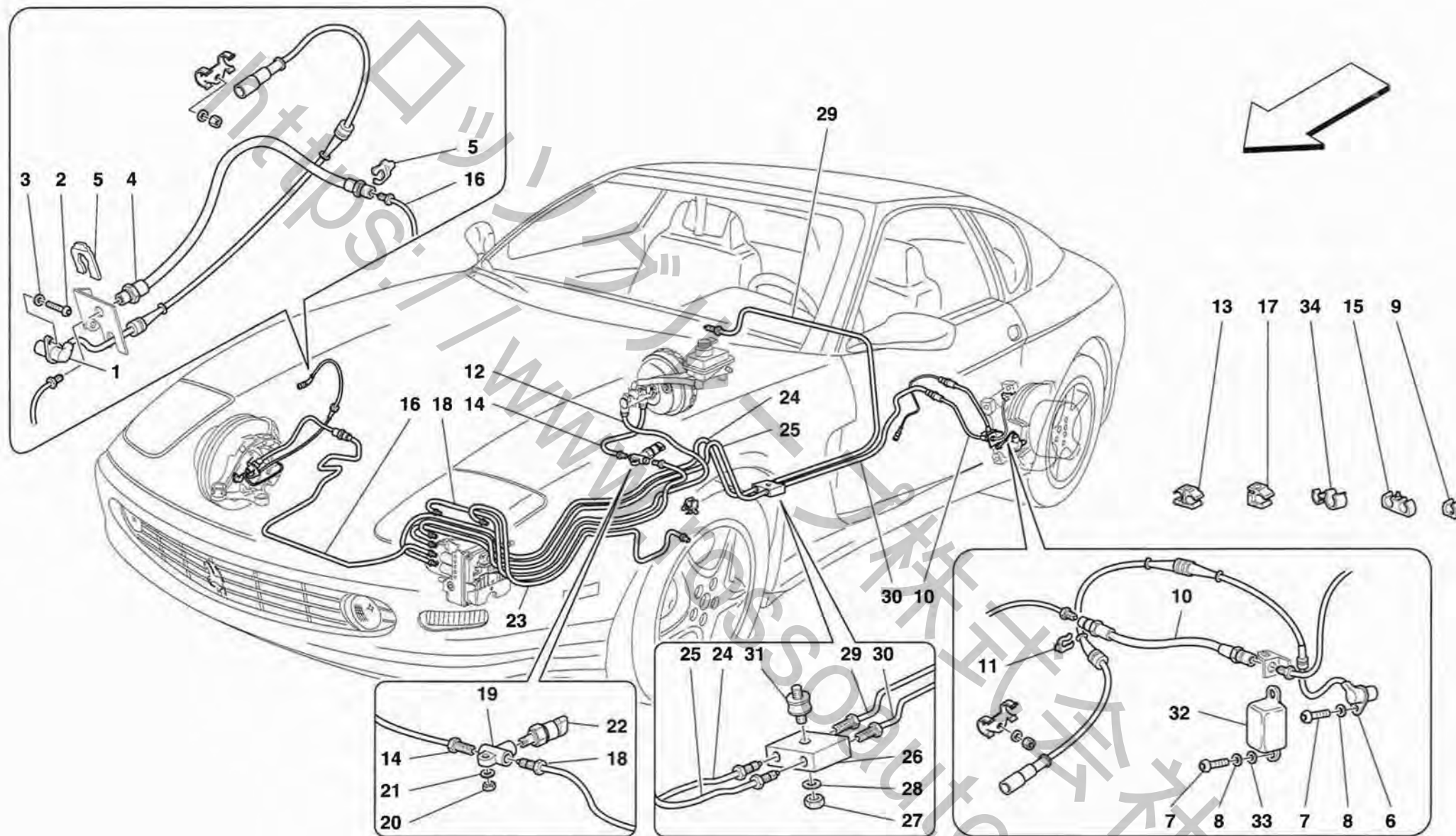
**PEDALIERA E COMANDO ACCELERATORE -Vale per GD-**  
**PEDALS AND ACCELERATOR CONTROL -Valid for GD-**

**TAV. 43**

**DATA: OTTOBRE '98**



Rif	Dis.N° Part.N°	Q.ty	Denominazione	Description	Rif	Dis.N° Part.N°	Q.ty	Denominazione	Description
41	156123	1	CAVO ACCELERATORE	ACCELERATOR CABLE	-	112129	2	IDEM SPESSORE mm. 1,1	DITTO THICKNESS mm. 1.1
42	15896470	1	DADO	NUT				-Di eventuale montaggio-	-Possible fitting-
43	173999	1	TESTA GIUNTO SFERICO	BALL JOINT HEAD				-No per 456M GTA-	-Not for 456M GTA-
44	174001	1	FERMAGLIO A MOLLA	CLIP	-	112130	2	IDEM SPESSORE mm. 1,2	DITTO THICKNESS mm. 1.2
45	157557	1	CARRUCOLA	PULLEY				-Di eventuale montaggio-	-Possible fitting-
46	152377	1	SUPPORTO	SUPPORT				-No per 456M GTA-	-Not for 456M GTA-
47	10902624	1	VITE	SCREW	-	112131	2	IDEM SPESSORE mm. 1,3	DITTO THICKNESS mm. 1.3
48	102741	1	DADO	NUT				-Di eventuale montaggio-	-Possible fitting-
49	14499401	4	ROSETTA	WASHER				-No per 456M GTA-	-Not for 456M GTA-
50	127496	2	ROSETTA	WASHER	60	11066676	1	ANELLO ELASTICO	FLEXIBLE RING
51	16043324	2	VITE	SCREW				-No per 456M GTA-	-Not for 456M GTA-
52	104030	2	DADO	NUT	61	101314	1	BOCCOLA	BUSHING
53	176298	1	PEDALE FRENO	BRAKE PEDAL				-No per 456M GTA-	-Not for 456M GTA-
			-Vale per 456M GTA-	-Valid for 456M GTA-	62	112153	1	BOCCOLA	BUSHING
54	144237	1	PROTEZIONE PEDALE FRENO	PEDAL RUBBER				-No per 456M GTA-	-Not for 456M GTA-
			-Vale per 456M GTA-	-Valid for 456M GTA-	63	127496	1	ROSETTA	WASHER
55	102948	2	DADO	NUT				-No per 456M GTA-	-Not for 456M GTA-
56	104030	2	DADO	NUT	64	15115721	1	VITE	SCREW
57	176281	1	LEVA RINVIO COMANDO FRENO	BRAKE CONTROL LEVER				-No per 456M GTA-	-Not for 456M GTA-
			-No per 456M GTA-	-Not for 456M GTA-	65	130926	1	VITE	SCREW
58	101314	1	BOCCOLA	BUSHING				-Vale per 456M GTA-	-Valid for 456M GTA-
			-No per 456M GTA-	-Not for 456M GTA-	66	103163	2	BOCCOLA	BUSHING
59	171351	2	ROSETTA SPESSORE mm. 0,8	WASHER THICKNESS mm. 0,8				-Vale per 456M GTA-	-Valid for 456M GTA-
			-No per 456M GTA-	-Not for 456M GTA-	67	178812	1	STAFFA	BRACKET
-	112127	2	IDEM SPESSORE mm. 0,9	DITTO THICKNESS mm. 0.9	68	103549	1	ANELLO PASSAFILO	CABLE GROMMET
			-Di eventuale montaggio-	-Possible fitting-	69	102948	2	DADO	NUT
			-No per 456M GTA-	-Not for 456M GTA-	70	12644477	2	ROSETTA	WASHER
-	112128	2	IDEM SPESSORE mm. 1,0	DITTO THICKNESS mm. 1.0	71	178895	1	TASSELLO DI PROTEZIONE	PROTECTION
			-Di eventuale montaggio-	-Possible fitting-					
			-No per 456M GTA-	-Not for 456M GTA-					



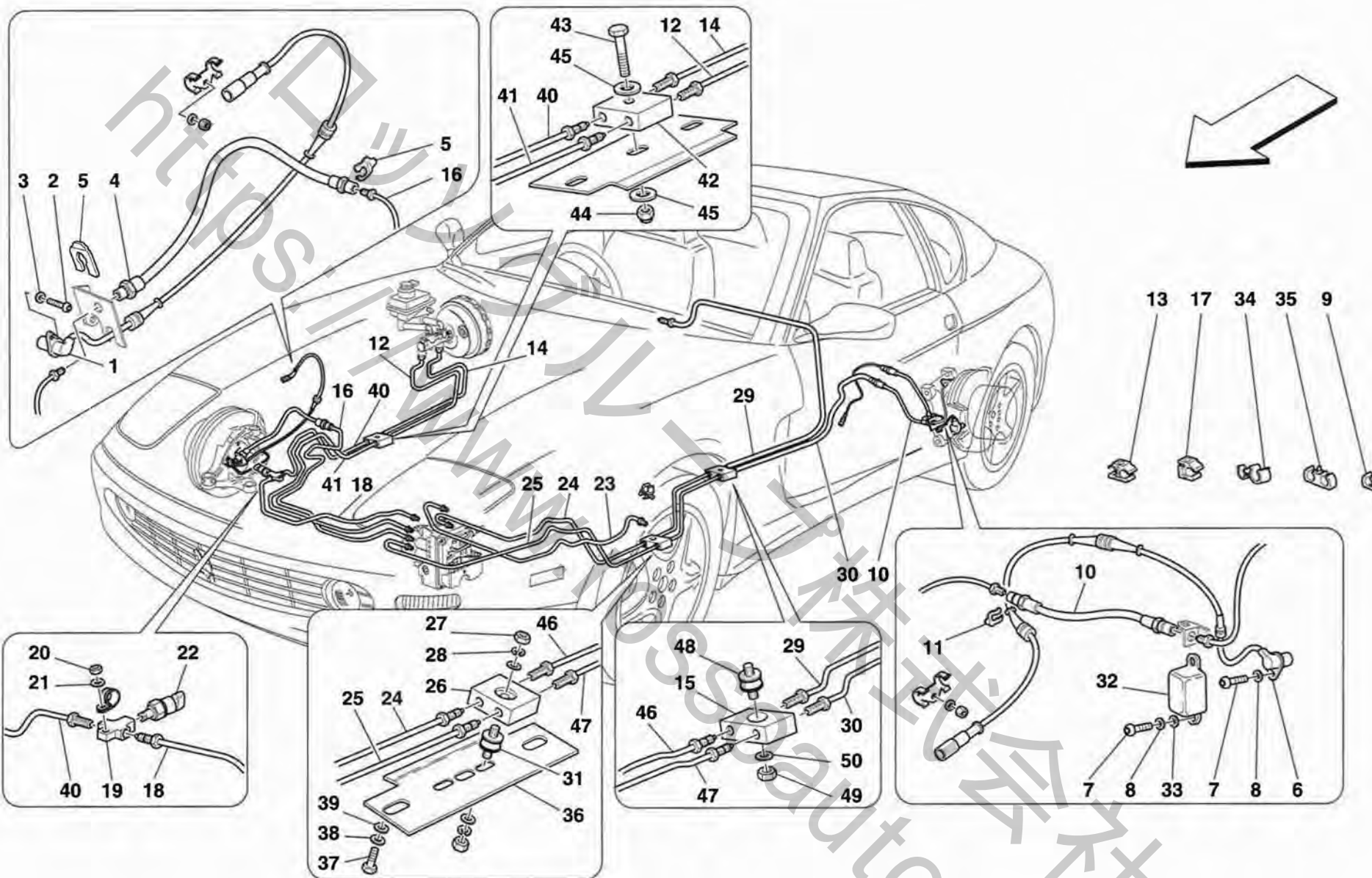
**456MGT/GTA**

**IMPIANTO FRENANTE -No per GD-**  
**BRAKE SYSTEM -Not for GD-**

**TAV. 44**

DATA: OTTOBRE '98

Rif	Dis.N° Part.N°	Q.ty	Denominazione	Description	Rif	Dis.N° Part.N°	Q.ty	Denominazione	Description
1	163145	2	SENSORE RUOTA FONICA ANTERIORE	FRONT TOOTHED WHEEL SENSOR	18	175002	1	TUBO FRENO DA REGOLATORE A CENTRALINA ABS	BRAKE PIPE FROM REGULATOR ABS CENTER UNIT
2	60909500	2	VITE	SCREW	19	10104661	1	RACCORDO A TRE VIE	3-WAY UNION
3	127494	2	ROSETTA	WASHER	20	102741	1	DADO	NUT
4	137313	2	TUBO FLESSIBILE ANTERIORE	HOSE	21	12639724	1	ROSETTA	WASHER
5	116374	4	MOLLETTA DI FISSAGGIO	FIXING CLIP	22	154309	1	INTERRUTTORE A PRESSIONE	PRESSURE SWITCH
6	163146	2	SENSORE RUOTA FONICA POSTERIORE	REAR TOOTHED WHEEL SENSOR	23	175005	1	TUBO FRENO DA CENTRALINA ABS A FLESSIBILE ANT. SX.	BRAKE PIPE FROM ABS CENTER UNIT TO L.H. FRONT FLEXIBLE PIPE
7	60909500	6	VITE	SCREW	24	175006	1	TUBO FRENO DA CENTRALINA ABS A RACCORDO FRENO POST. DX.	BRAKE PIPE FROM ABS CENTER UNIT TO UNION FOR R.H. REAR BRAKE
8	127494	6	ROSETTA	WASHER	25	175007	1	TUBO FRENO DA CENTRALINA ABS A RACCORDO FRENO POST. SX.	BRAKE PIPE FROM ABS CENTER UNIT TO UNION FOR L.H. REAR BRAKE
9	169477	4	MOLLETTA	CLIP	26	169152	1	RACCORDO	UNION
10	116373	2	TUBO FLESSIBILE POSTERIORE	REAR HOSE	27	15896470	1	DADO	NUT
11	116374	4	MOLLETTA DI FISSAGGIO	FIXING CLIP	28	127493	1	ROSETTA	WASHER
12	178480	1	TUBO FRENO DA POMPA A CENTRALINA ABS	BRAKE PIPE FROM PUMP TO ABS CENTER UNIT	29	175008	1	TUBO FRENO DA RACCORDO A FLESSIBILE POST. DX.	BRAKE PIPE FROM UNION TO R.H. REAR FLEXIBLE PIPE
13	143055	3	MOLLETTA DI FISSAGGIO	FIXING CLIP	30	175009	1	TUBO FRENO DA RACCORDO A FLESSIBILE POST. SX.	BRAKE PIPE FROM UNION TO L.H. REAR FLEXIBLE PIPE
14	178479	1	TUBO FRENO DA POMPA A INTERRUTTORE PRESSIONE	BRAKE PIPE FROM PUMP TO PRESSURE SWITCH	31	148835	1	TAMPONE	PAD
15	169476	7	MOLLETTA	CLIP	32	168148	2	PROTEZIONE SENSORE POST.	REAR SENSOR PROTECTION
16	175004	1	TUBO FRENO DA CENTRALINA ABS A FLESSIBILE ANT. DX.	BRAKE PIPE FROM ABS CENTER UNIT TO R.H. FRONT FLEXIBLE PIPE	33	14496424	4	ROSETTA	WASHER
17	141505	3	MOLLETTA DI FISSAGGIO	FIXING CLIP	34	150738	6	MOLLETTA	CLIP



**456MGT/GTA**

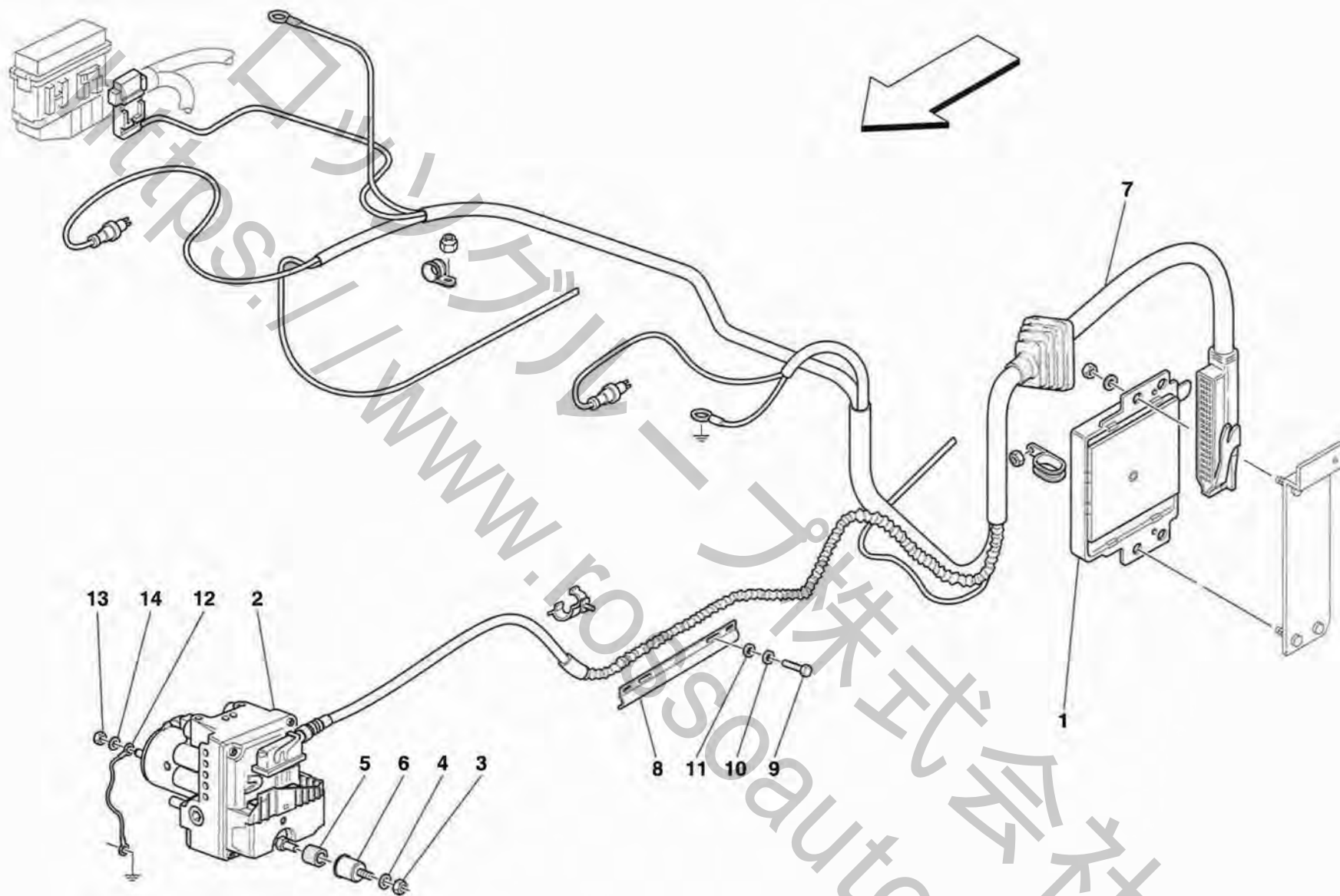
**IMPIANTO FRENANTE -Vale per GD-**  
**BRAKE SYSTEM -Valid for GD-**

**TAV. 45**

DATA: OTTOBRE '98



Rif	Dis.N° Part.N°	Q.ty	Denominazione	Description	Rif	Dis.N° Part.N°	Q.ty	Denominazione	Description
1	163145	2	SENSORE RUOTA FONICA ANTERIORE	FRONT TOOTHED WHEEL SENSOR	26	169152	1	RACCORDO	UNION
2	60909500	2	VITE	SCREW	27	15896470	1	DADO	NUT
3	127494	2	ROSETTA	WASHER	28	127493	1	ROSETTA	WASHER
4	137313	2	TUBO FLESSIBILE ANTERIORE	HOSE	29	179550	1	TUBO FRENO DA RACCORDO POST. SX. A FLESSIBILE POST. DX.	BRAKE PIPE FROM L.H. REAR UNION TO R.H. REAR FLEXIBLE PIPE
5	116374	4	MOLLETTA DI FISSAGGIO	FIXING CLIP	30	179362	1	TUBO FRENO DA RACCORDO POST. SX. A FLESSIBILE POST. SX.	BRAKE PIPE FROM L.H. REAR UNION TO L.H. REAR FLEXIBLE PIPE
6	163146	2	SENSORE RUOTA FONICA POSTERIORE	REAR TOOTHED WHEEL SENSOR	31	148835	1	TAMPONE	PAD
7	60909500	6	VITE	SCREW	32	168148	2	PROTEZIONE SENSORE POST.	REAR SENSOR PROTECTION
8	127494	6	ROSETTA	WASHER	33	14496424	4	ROSETTA	WASHER
9	169477	4	MOLLETTA	CLIP	34	150738	6	MOLLETTA	CLIP
10	116373	2	TUBO FLESSIBILE POSTERIORE	REAR HOSE	35	169476	8	MOLLETTA	CLIP
11	116374	4	MOLLETTA DI FISSAGGIO	FIXING CLIP	36	178712	2	STAFFA FISSAGGIO TUBI FRENO	BRAKE PIPES FIXING BRACKET
12	176876	1	TUBO FRENO (ANT.) DA POMPA A RACCORDO ANT. DX.	BRAKE PIPE (FRONT) FROM PUMP TO R.H. FRONT UNION	37	10902124	4	VITE	SCREW
13	143055	3	MOLLETTA DI FISSAGGIO	FIXING CLIP	38	12643778	4	ROSETTA	WASHER
14	176874	1	TUBO FRENO (POST.) DA POMPA A RACCORDO ANT. DX.	BRAKE PIPE (REAR) FROM PUMP TO R.H. FRONT UNION	39	12601274	4	ROSETTA	WASHER
15	169152	1	RACCORDO	UNION	40	178711	1	TUBO FRENO DA RACCORDO DX. AD INTERRUPTORE DI PRESSIONE	BRAKE PIPE FROM R.H. UNION TO PRESSURE SWITCH
16	176879	1	TUBO FRENO DA CENTRALINA ABS A FLESSIBILE ANT. DX.	BRAKE PIPE FROM ABS CENTER UNIT TO R.H. FRONT FLEXIBLE PIPE	41	178710	1	TUBO FRENO DA RACCORDO DX. A CENTRALINA ABS	BRAKE PIPE FROM R.H. UNION TO ABS CENTER UNIT
17	141505	6	MOLLETTA DI FISSAGGIO	FIXING CLIP	42	157719	1	RACCORDO	UNION
18	176878	1	TUBO FRENO DA INTERRUPTORE PRESSIONE A CENTRALINA ABS	BRAKE PIPE FROM PRESSURE SWITCH TO ABS CENTER UNIT	43	10903024	1	VITE	SCREW
19	10104661	1	RACCORDO A TRE VIE	3-WAY UNION	44	102741	1	DADO	NUT
20	102741	1	DADO	NUT	45	12639724	2	ROSETTA	WASHER
21	12639724	1	ROSETTA	WASHER	46	176882	1	TUBO FRENO DA RACCORDO ANT. SX. A RACCORDO SX. SOTTOPIANALE -Lato Dx.-	BRAKE PIPE L.H. FRONT UNION TO UNDERFLOOR L.H. UNION -R.h. side-
22	154309	1	INTERRUPTORE A PRESSIONE	PRESS SWITCH	47	178716	1	TUBO FRENO DA RACCORDO ANT. SX. A RACCORDO SX. SOTTOPIANALE -Lato Sx.-	BRAKE PIPE L.H. FRONT UNION TO UNDERFLOOR L.H. UNION -L.h. side-
23	176880	1	TUBO FRENO DA CENTRALINA ABS A FLESSIBILE ANT. SX.	BRAKE PIPE FROM ABS CENTER UNIT TO L.H. FRONT FLEXIBLE PIPE	48	148835	1	TAMPONE	PAD
24	176881	1	TUBO FRENO DA CENTRALINA ABS A RACCORDO ANT. SX. -Lato Dx.-	BRAKE PIPE FROM ABS CENTER UNIT TO L.H. FRONT UNION -R.h. side-	49	15896470	1	DADO	NUT
25	178715	1	TUBO FRENO DA CENTRALINA ABS A RACCORDO ANT. SX. -Lato Sx.-	BRAKE PIPE FROM ABS CENTER UNIT TO L.H. UNION -L.h. side-	50	127493	1	ROSETTA	WASHER



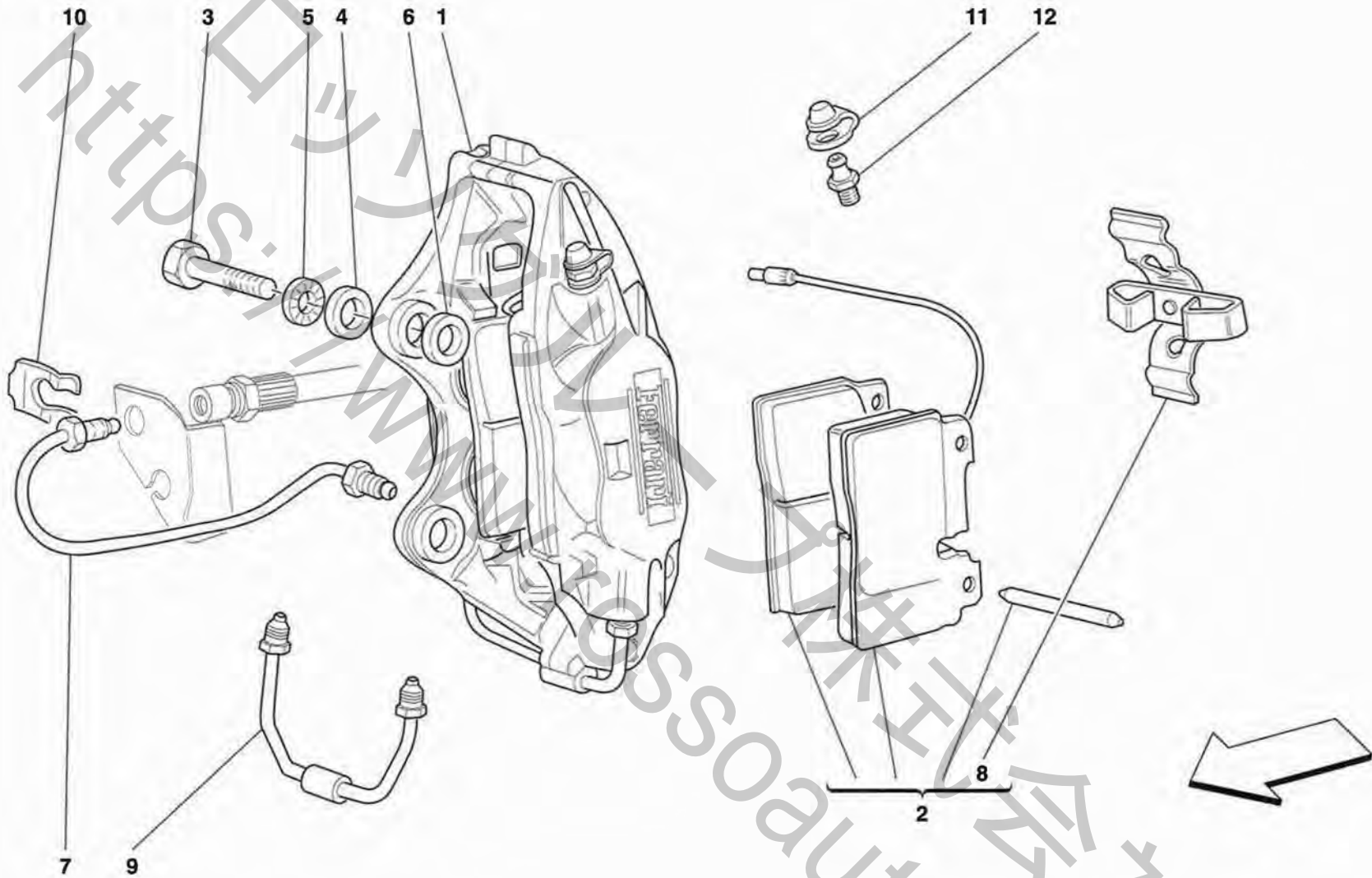
**456MGT/GTA**

*CENTRALINA E APPARATO IDRAULICO PER IMPIANTO ABS*  
*CONTROL UNIT AND HYDRAULIC EQUIPMENT FOR ABS SYSTEM*

**TAV. 46**

DATA: OTTOBRE '98

Rif	Dis.N° Part.N°	Q.ty	Denominazione	Description	Rif	Dis.N° Part.N°	Q.ty	Denominazione	Description
1	164682	1	CENTRALINA ELETTRONICA ABS/ASR	ABS/ASR ELECTRONIC CONTROL STATION	-	177175	1	CAVI COLLEGAMENTO ABS/ASR -Vale per GD-	ABS/ASR CONNECTION CABLES -Valid for GD-
2	164001	1	CENTRALINA IDRAULICA ABS/ASR	ABS/ASR HYDRAULIC CONTROL STATION	8	171020	1	CANALA SUPPORTO TUBO PASSAGGIO CAVI ABS/ASR	SHIELD FOR WIRING PASSAGE
3	102948	3	DADO	NUT	9	10902024	2	VITE	SCREW
4	14496424	3	ROSETTA	WASHER	10	10519424	2	ROSETTA	WASHER
5	154553	3	TASSELLO IN GOMMA	RUBBER PAD	11	127494	2	ROSETTA	WASHER
6	127614	3	SCODELLINO	CUP	12	166854	1	CAVO DI MASSA	GROUND CABLE
7	174490	1	CAVI COLLEGAMENTO ABS/ASR -No per GD-	ABS/ASR CONNECTION CABLES -Not for GD-	13	62790300	2	DADO	NUT
					14	12642877	2	ROSETTA	WASHER



**456MGT/GTA**

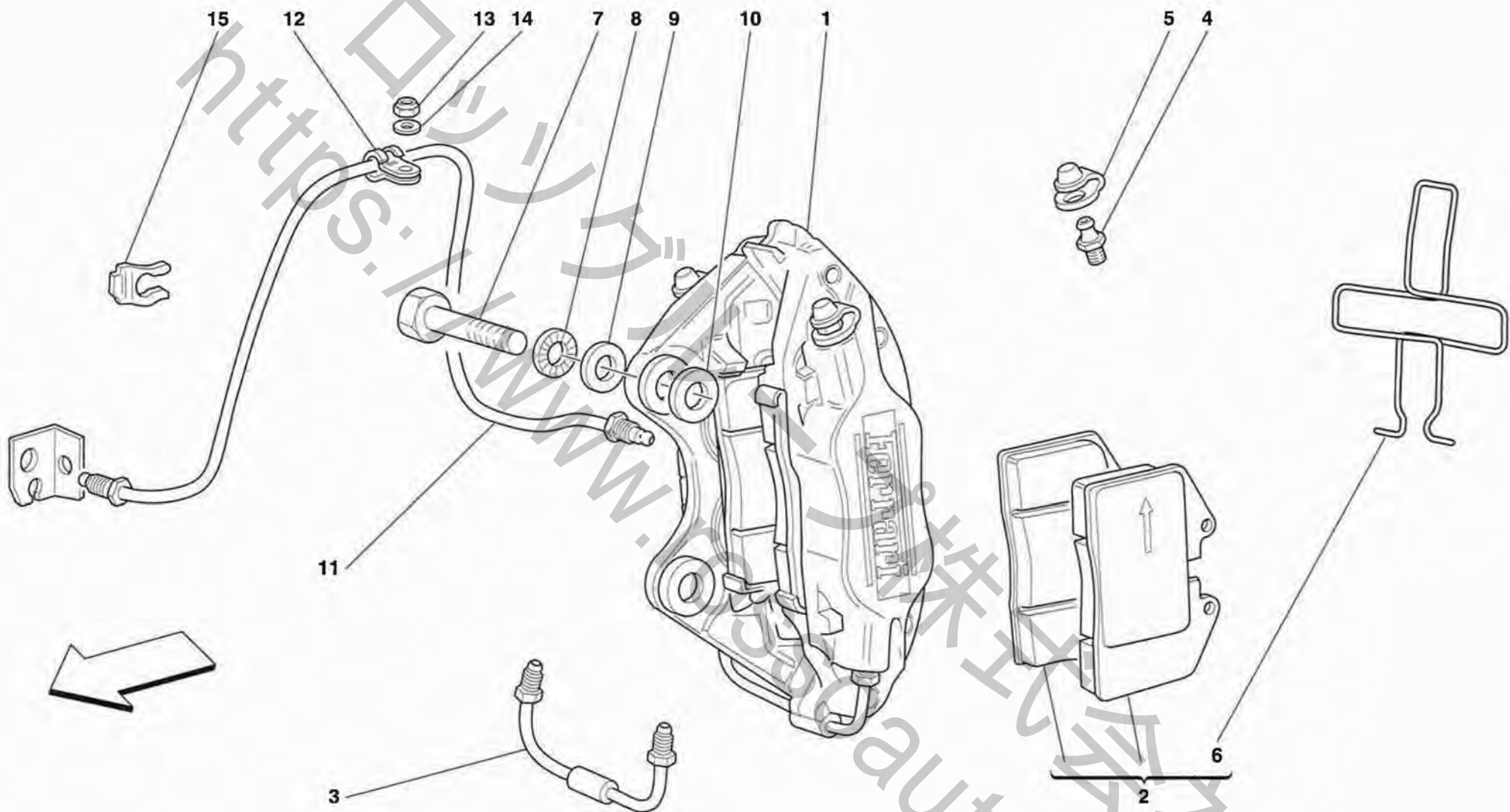
*PINZA FRENO ANTERIORE*  
*CALIPER FOR FRONT BRAKE*

**TAV. 47**

DATA: OTTOBRE '98



Rif	Dis.N° Part.N°	Q.ty	Denominazione	Description	Rif	Dis.N° Part.N°	Q.ty	Denominazione	Description
1	178902	1	CALIPER ANTERIORE DX. CON PASTIGLIE	R.H. FRONT CALIPER UNIT WITH PADS	2	70000924	1	SERIE PASTIGLIE ANTERIORI CON MOLLA PER CALIPERS	KIT OF FRONT PADS WITH SPRING FOR CALIPERS
-	178908	1	CALIPER ANTERIORE DX. CON PASTIGLIE <b>-Rosso-</b>	R.H. FRONT CALIPER UNIT WITH PADS <b>-Red-</b>	3	174214	4	VITE	SCREW
-	178914	1	CALIPER ANTERIORE DX. CON PASTIGLIE <b>-Oro-</b>	R.H. FRONT CALIPER UNIT WITH PADS <b>-Gold-</b>	4	106616	4	ROSETTA	WASHER
-	178920	1	CALIPER ANTERIORE DX. CON PASTIGLIE <b>-Grigio-</b>	R.H. FRONT CALIPER UNIT WITH PADS <b>-Grey-</b>	5	10615874	4	ROSETTA	WASHER
-	178903	1	CALIPER ANTERIORE SX. CON PASTIGLIE	L.H. FRONT CALIPER UNIT WITH PADS	6	156260	-	RONDELLA DI RASAMENTO TRA CALIPER E FUSO A SNODO SP. mm.0,2	THRUST WASHER BETWEEN CALIPER AND SPINDLE TH. mm.0.2
-	178909	1	CALIPER ANTERIORE SX. CON PASTIGLIE <b>-Rosso-</b>	L.H. FRONT CALIPER UNIT WITH PADS <b>-Red-</b>	-	156261	-	IDEM SPESSORE mm.0,3	DITTO THICKNESS mm.0.3
-	178915	1	CALIPER ANTERIORE SX. CON PASTIGLIE <b>-Oro-</b>	L.H. FRONT CALIPER UNIT WITH PADS <b>-Gold-</b>	-	156262	-	IDEM SPESSORE mm.0,5	DITTO THICKNESS mm.0.5
-	178921	1	CALIPER ANTERIORE SX. CON PASTIGLIE <b>-Grigio-</b>	L.H. FRONT CALIPER UNIT WITH PADS <b>-Grey-</b>	-	156263	-	IDEM SPESSORE mm.0,6	DITTO THICKNESS mm.0.6
					-	156264	-	IDEM SPESSORE mm.0,7	DITTO THICKNESS mm.0.7
					-	156265	-	IDEM SPESSORE mm.0,8	DITTO THICKNESS mm.0.8
					-	156266	-	IDEM SPESSORE mm.1,0	DITTO THICKNESS mm.1.0
					7	163150	1	TUBO AL CALIPER ANT. DX.	PIPE TO R.H. FRONT CALIPER
					-	163151	1	TUBO AL CALIPER ANT. SX.	PIPE TO L.H. FRONT CALIPER
					8	172348	2	MOLLA	SPRING
					9	172868	2	TUBO COLLEGAMENTO	CONNECTION PIPE
					10	116374	2	MOLLETTA	CLIP
					11	152955	2	CAPPUCCIO PROTEZIONE	PROTECTION BOOT
					12	152954	2	RACCORDO CON VALVOLA DI SPURGO	UNION WITH EXHAUST VALVE



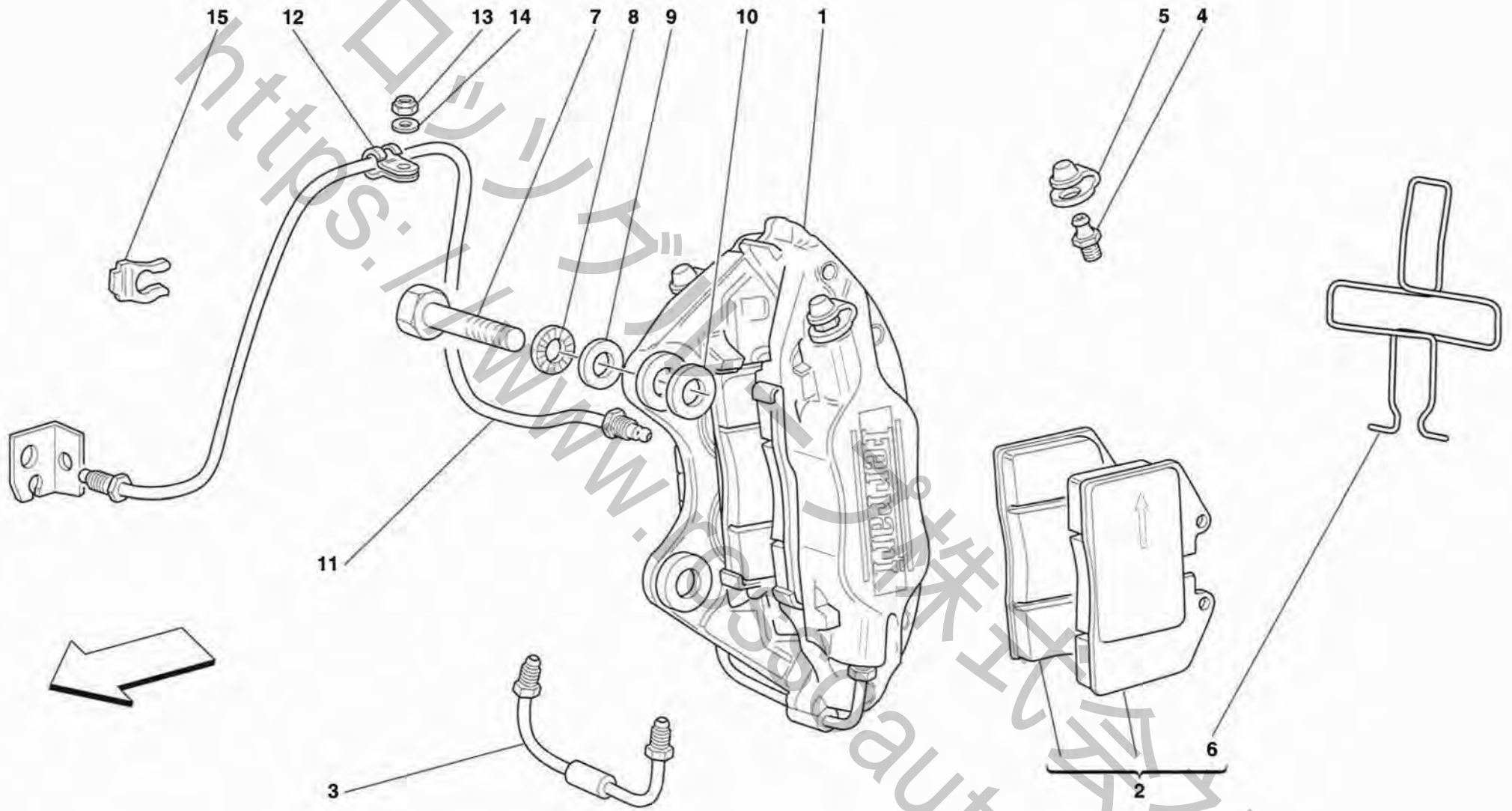
**456MGT/GTA**

*PINZA FRENO POSTERIORE*  
*CALIPER FOR REAR BRAKE*

**TAV. 48**

DATA: OTTOBRE '98

Rif	Dis.N° Part.N°	Q.ty	Denominazione	Description	Rif	Dis.N° Part.N°	Q.ty	Denominazione	Description
1	178904	1	CALIPER POSTERIORE DX. CON PASTIGLIE -No per 456M GTA-	R.H. REAR CALIPER UNIT WITH PADS -Not for 456M GTA-	-	178923	1	CALIPER POSTERIORE SX. CON PASTIGLIE -No per 456M GTA-	L.H. REAR CALIPER UNIT WITH PADS -Not for 456M GTA-
-	178910	1	CALIPER POSTERIORE DX. CON PASTIGLIE -No per 456M GTA- -Rosso-	R.H. REAR CALIPER UNIT WITH PADS -Not for 456M GTA- -Red-	-	178907	1	CALIPER POSTERIORE SX. CON PASTIGLIE -Vale per 456M GTA- -Rosso-	L.H. REAR CALIPER UNIT WITH PADS -Valid for 456M GTA- -Red-
-	178916	1	CALIPER POSTERIORE DX. CON PASTIGLIE -No per 456M GTA- -Oro-	R.H. REAR CALIPER UNIT WITH PADS -Not for 456M GTA- -Gold-	-	178913	1	CALIPER POSTERIORE SX. CON PASTIGLIE -Vale per 456M GTA- -Rosso-	L.H. REAR CALIPER UNIT WITH PADS -Valid for 456M GTA- -Red-
-	178922	1	CALIPER POSTERIORE DX. CON PASTIGLIE -No per 456M GTA- -Grigio-	R.H. REAR CALIPER UNIT WITH PADS -Not for 456M GTA- -Grey-	-	178919	1	CALIPER POSTERIORE SX. CON PASTIGLIE -Vale per 456M GTA- -Oro-	L.H. REAR CALIPER UNIT WITH PADS -Valid for 456M GTA- -Gold-
-	178906	1	CALIPER POSTERIORE DX. CON PASTIGLIE -Vale per 456M GTA- -Rosso-	R.H. REAR CALIPER UNIT WITH PADS -Valid for 456M GTA- -Red-	-	178925	1	CALIPER POSTERIORE SX. CON PASTIGLIE -Vale per 456M GTA- -Grigio-	L.H. REAR CALIPER UNIT WITH PADS -Valid for 456M GTA- -Grey-
-	178912	1	CALIPER POSTERIORE DX. CON PASTIGLIE -Vale per 456M GTA- -Rosso-	R.H. REAR CALIPER UNIT WITH PADS -Valid for 456M GTA- -Red-	2	70000925	1	SERIE PASTIGLIE POSTERIORI CON MOLLA PER CALIPERS	KIT OF REAR PADS WITH SPRING FOR CALIPERS
-	178918	1	CALIPER POSTERIORE DX. CON PASTIGLIE -Vale per 456M GTA- -Oro-	R.H. REAR CALIPER UNIT WITH PADS -Valid for 456M GTA- -Gold-	3	152957	2	TUBO COLLEGAMENTO	CONNECTION PIPE
-	178924	1	CALIPER POSTERIORE DX. CON PASTIGLIE -Vale per 456M GTA- -Grigio-	R.H. REAR CALIPER UNIT WITH PADS -Valid for 456M GTA- -Grey-	4	152954	2	RACCORDO CON VALVOLA DI SPURGO	UNION WITH EXHAUST VALVE
-	178905	1	CALIPER POSTERIORE SX. CON PASTIGLIE -No per 456M GTA-	L.H. REAR CALIPER UNIT WITH PADS -Not for 456M GTA-	5	152955	2	CAPPUCCIO PROTEZIONE	PROTECTION BOOT
-	178911	1	CALIPER POSTERIORE SX. CON PASTIGLIE -No per 456M GTA- -Rosso-	L.H. REAR CALIPER UNIT WITH PADS -Not for 456M GTA- -Red-	6	152956	2	MOLLA	SPRING
-	178917	1	CALIPER POSTERIORE SX. CON PASTIGLIE -No per 456M GTA- -Oro-	L.H. REAR CALIPER UNIT WITH PADS -Not for 456M GTA- -Gold-	7	174214	4	VITE	SCREW
					8	10615874	4	ROSETTA	WASHER
					9	106616	4	ROSETTA	WASHER
					10	156260	-	RONDELLA DI RASAMENTO TRA CALIPER E FUSO A SNODO SP. mm.0,2	THRUST WASHER BETWEEN CALIPER AND SPINDLE TH. mm.0.2
					-	156261	-	IDEM SPESSORE mm.0,3	DITTO THICKNESS mm.0.3
					-	156262	-	IDEM SPESSORE mm.0,5	DITTO THICKNESS mm.0.5
					-	156263	-	IDEM SPESSORE mm.0,6	DITTO THICKNESS mm.0.6
					-	156264	-	IDEM SPESSORE mm.0,7	DITTO THICKNESS mm.0.7
					-	156265	-	IDEM SPESSORE mm.0,8	DITTO THICKNESS mm.0.8
					-	156266	-	IDEM SPESSORE mm.1,0	DITTO THICKNESS mm.1.0
					11	154048	1	TUBO AL CALIPER POST. DX.	PIPE TO R.H. REAR CALIPER
					-	154049	1	TUBO AL CALIPER POST. SX.	PIPE TO L.H. REAR CALIPER
					12	10440890	2	STAFFETTA CON GUAINA	BRACKET WITH SHEATH



**456MGT/GTA**

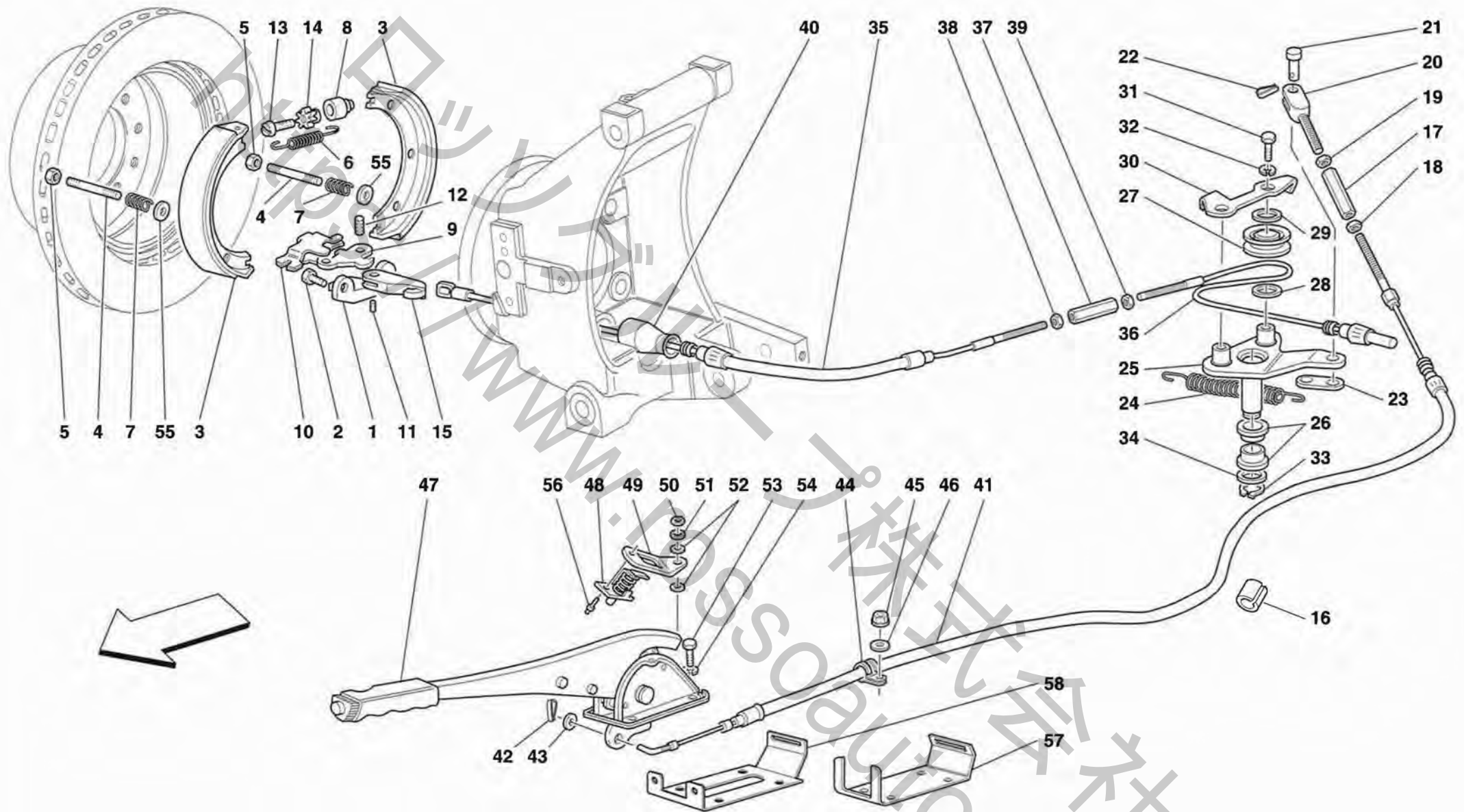
**PINZA FRENO POSTERIORE**  
**CALIPER FOR REAR BRAKE**

**TAV. 48**

DATA: OTTOBRE '98



<i>Rif</i>	<i>Dis.N° Part.N°</i>	<i>Q.ty</i>	<i>Denominazione</i>	<i>Description</i>	<i>Rif</i>	<i>Dis.N° Part.N°</i>	<i>Q.ty</i>	<i>Denominazione</i>	<i>Description</i>
13	102741	2	DADO	NUT	15	116374	2	MOLLETTA DI FISSAGGIO	FIXING CLIP
14	10519424	2	ROSETTA	WASHER					



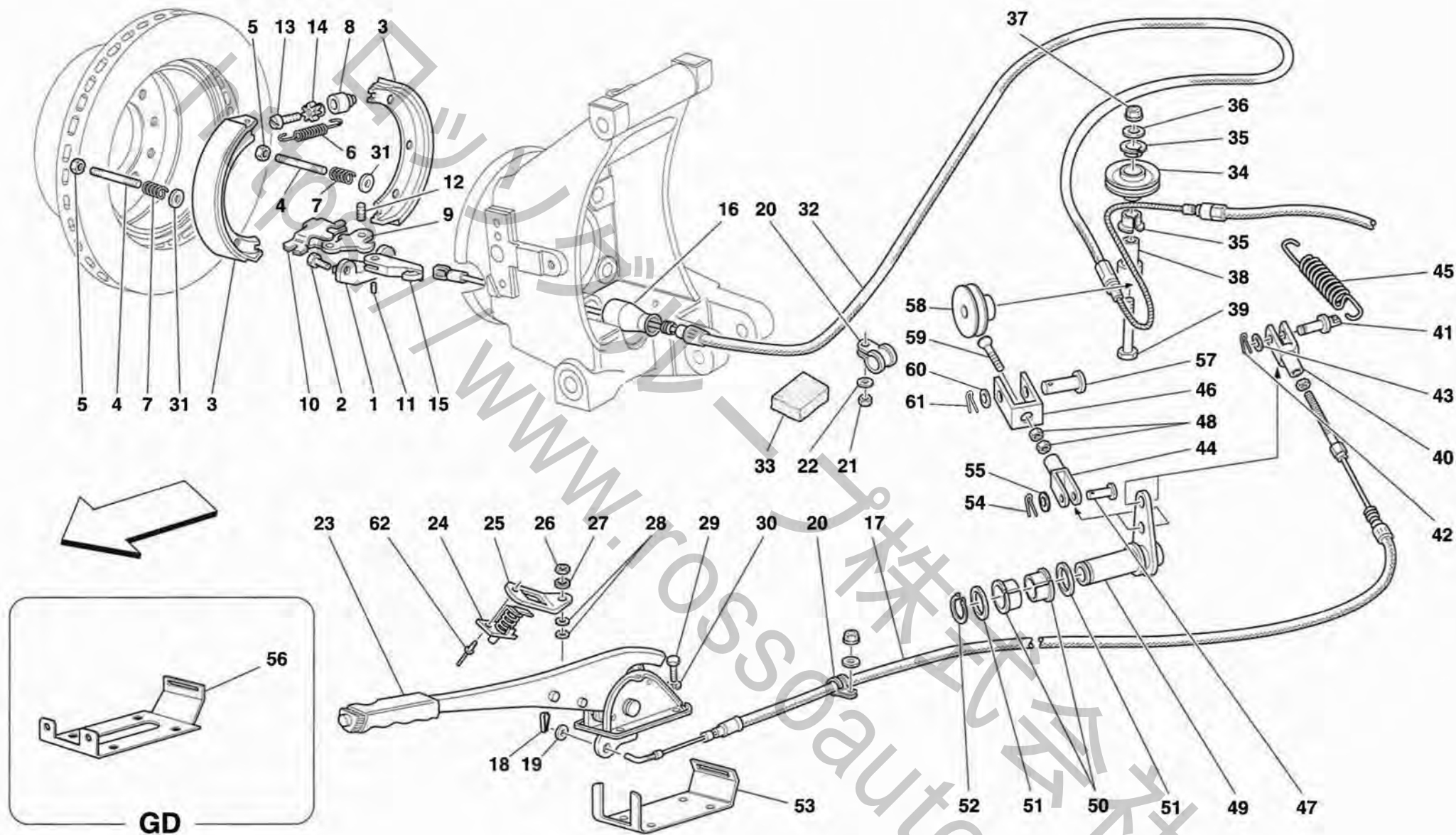
**456MGT/GTA**

*COMANDO FRENO A MANO -No per 456M GTA-*  
*HAND-BRAKE CONTROL -Not for 456M GTA-*

**TAV. 49**

DATA: OTTOBRE '98

Rif	Dis.N° Part.N°	Q.ty	Denominazione	Description	Rif	Dis.N° Part.N°	Q.ty	Denominazione	Description
1	142861	2	TASSELLO	SMALL BLOCK	31	10902024	2	VITE	SCREW
2	142856	4	VITE	SCREW	32	11193274	2	ROSETTA	WASHER
3	178382	4	CEPPO FRENO COMPLETO	COMPLETE BRAKE SHOE	33	11066476	1	ANELLO SEEGER	SEEGER RING
4	13539224	2	PRIGIONIERO	STUD	34	152300	1	ROSETTA	WASHER
5	14058319	4	DADO	NUT	35	152297	1	CAVO POSTERIORE DX.	R.H. REAR CABLE
6	101276	4	MOLLA	SPRING	36	152298	1	CAVO POSTERIORE SX.	L. H. REAR CABLE
7	177625	4	MOLLA	SPRING	37	10091014	1	MANICOTTO	SLEEVE
8	101279	2	SEDE PER VITE	SCREW SEAT	38	10727314	1	DADO	NUT
9	101280	2	LEVA INTERNA	INNER LEVER	39	10725914	1	DADO	NUT
10	101281	2	LEVA ESTERNA	OUTER LEVER	40	143938	2	ARRESTO GUAINA FRENO STAZIONAMENTO	STOP LIMIT FOR HAND BRAKE SHEATH
11	101282	2	PERNO	PIN	41	154180	1	CAVO COMANDO FRENO A MANO	HAND-BRAKE CONTROL CABLE
12	101283	2	PERNO	PIN	42	10796440	1	COPIGLIA	SPLIT PIN
13	101285	2	VITE	SCREW	43	10519624	1	ROSETTA	WASHER
14	101286	2	DADO	NUT	44	10441290	3	STAFFETTA CON GUAINA	BRACKET WITH SHEATH
15	105270	2	FORCELLINO	FORK	45	102741	3	DADO	NUT
16	152913	1	TUBO	PIPE	46	12639724	3	ROSETTA	WASHER
17	152302	1	MANICOTTO DI REGOLAZIONE	ADJUSTMENT SLEEVE	47	154095	1	LEVA COMANDO FRENO A MANO -Senza rivestimento-	HAND BRAKE LEVER -Without lining-
18	16102314	1	DADO	NUT	-	657538	1	RIVESTIMENTO	LINING
19	16102914	1	DADO	NUT				-Per i colori pelle vedi tabella apposita-	-See relevant table for leather colours-
20	152301	1	FORCELLA	FORK	48	169292	1	INTERRUTTORE	SWITCH
21	10050814	1	PERNO	PIN	49	169291	1	STAFFETTA SUPPORTO	SUPPORT BRACKET
22	10734201	1	COPIGLIA	SPLIT PIN	50	15896470	1	DADO	NUT
23	152303	1	PIASTRINO	SMALL PLATE	51	12605274	1	ROSETTA	WASHER
24	104895	1	MOLLA	SPRING	52	63622400	2	ROSETTA	WASHER
25	152279	1	LEVA -No per GD-	LEVER -Not for GD-	53	10902124	4	VITE	SCREW
-	156122	1	LEVA -Vale per GD-	LEVER -Valid for GD-	54	127494	4	ROSETTA	WASHER
26	152273	2	BOCCOLA	BUSHING	55	12637824	4	ROSETTA	WASHER
27	175780	2	CARRUCOLA	PULLEY	56	50084409	1	RIVETTO	RIVET
28	152617	2	ROSETTA	WASHER	57	64051200	1	SUPPORTO	SUPPORT
29	109483	2	ROSETTA	WASHER	58	65562800	1	STAFFA	BRACKET
30	152299	1	PIASTRINO -No per GD-	SMALL PLATE -Not for GD-					
-	158694	1	PIASTRINO -Vale per GD-	SMALL PLATE -Valid for GD-					



**456MGT/GTA**

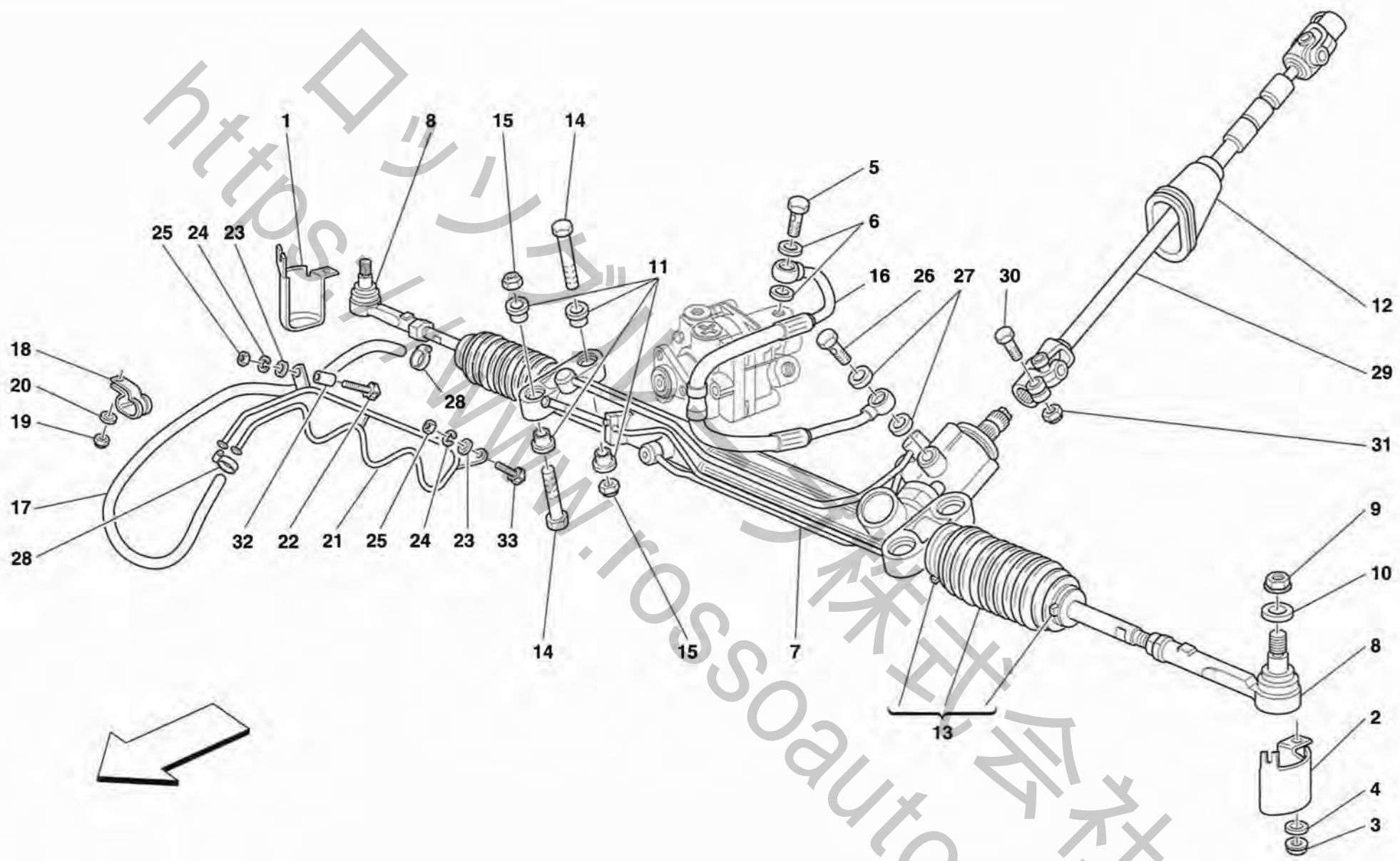
*COMANDO FRENO A MANO -Vale per 456M GTA-*  
*HAND-BRAKE CONTROL -Valid for 456M GTA-*

**TAV. 50**

DATA: OTTOBRE '98



Rif	Dis.N° Part.N°	Q.ty	Denominazione	Description	Rif	Dis.N° Part.N°	Q.ty	Denominazione	Description
1	142861	2	TASSELLO	SMALL BLOCK	30	127494	4	ROSETTA	WASHER
2	142856	4	VITE	SCREW	31	12637824	4	ROSETTA	WASHER
3	178382	4	CEPPO FRENO COMPLETO	COMPLETE BRAKE SHOE	32	172909	1	CAVO POST. COMANDO FRENO A MANO	HAND-BRAKE CONTROL REAR CABLE
4	13539224	2	PRIGIONIERO	STUD	33	158346	2	SPESSORE IN GOMMA	RUBBER THICKNESS
5	14058319	4	DADO	NUT	34	175781	2	CARRUCOLA	PULLEY
6	101276	4	MOLLA	SPRING	35	163501	2	BOCCOLA	BUSHING
7	177625	4	MOLLA	SPRING	36	14496424	1	ROSETTA	WASHER
8	101279	2	SEDE PER VITE	SCREW SEAT	37	102948	1	DADO	NUT
9	101280	2	LEVA INTERNA	INNER LEVER	38	163182	1	PERNO	PIN
10	101281	2	LEVA ESTERNA	OUTER LEVER	39	10903421	1	VITE	SCREW
11	101282	2	PERNO	PIN	40	10007871	1	FORCELLA	FORK
12	101283	2	PERNO	PIN	41	168954	1	PERNO	PIN
13	101285	2	VITE	SCREW	42	10734301	1	COPIGLIA	SPLIT PIN
14	101286	2	DADO	NUT	43	107618	2	ROSETTA	WASHER
15	105270	2	FORCELLINO	FORK	44	10248271	1	FORCELLA	FORK
16	143938	2	ARRESTO GUAINA FRENO STAZIONAMENTO	STOP LIMIT FOR HAND BRAKE SHEATH	45	104895	1	MOLLA	SPRING
17	172908	1	CAVO ANT. COMANDO FRENO A MANO	HAND-BRAKE CONTROL FRONT CABLE	46	172906	1	FORCELLA	FORK
18	10796440	1	COPIGLIA	SPLIT PIN	47	10050814	1	PERNO	PIN
19	10519624	1	ROSETTA	WASHER	48	16102314	2	DADO	NUT
20	10441290	3	STAFFETTA CON GUAINA	BRACKET WITH SHEATH	49	163192	1	LEVA COMANDO CAVO FRENO	BRAKE LEVER CABLE
21	102741	2	DADO	NUT	50	152273	2	BOCCOLA	BUSHING
22	10519424	2	ROSETTA	WASHER	51	152300	2	ROSETTA	WASHER
23	154095	1	LEVA COMANDO FRENO A MANO	HAND BRAKE LEVER	52	11066476	1	ANELLO SEEGER	SEEGER RING
-	657538..	2	RIVESTIMENTO -Senza rivestimento- -Per i colori pelle vedi tabella apposita-	LINING -Without lining- -See relevant table for leather colours-	53	64051200	1	SUPPORTO	SUPPORT
24	169292	1	INTERRUTTORE	SWITCH	54	10734301	1	COPIGLIA	SPLIT PIN
25	169291	1	STAFFETTA	BRACKET	55	10519624	1	ROSETTA	WASHER
26	15896470	1	DADO	NUT	56	65562800	1	STAFFA -Vale per GD-	BRACKET -Valid for GD-
27	12605274	1	ROSETTA	WASHER	57	172907	1	PERNO	PIN
28	63622400	2	ROSETTA	WASHER	58	175781	1	CARRUCOLA	PULLEY
29	10902124	4	VITE	SCREW	59	14442434	1	VITE	SCREW
					60	14499624	1	ROSETTA	WASHER
					61	10733601	1	COPIGLIA	SPLIT PIN
					62	50084409	1	RIVETTO	RIVET

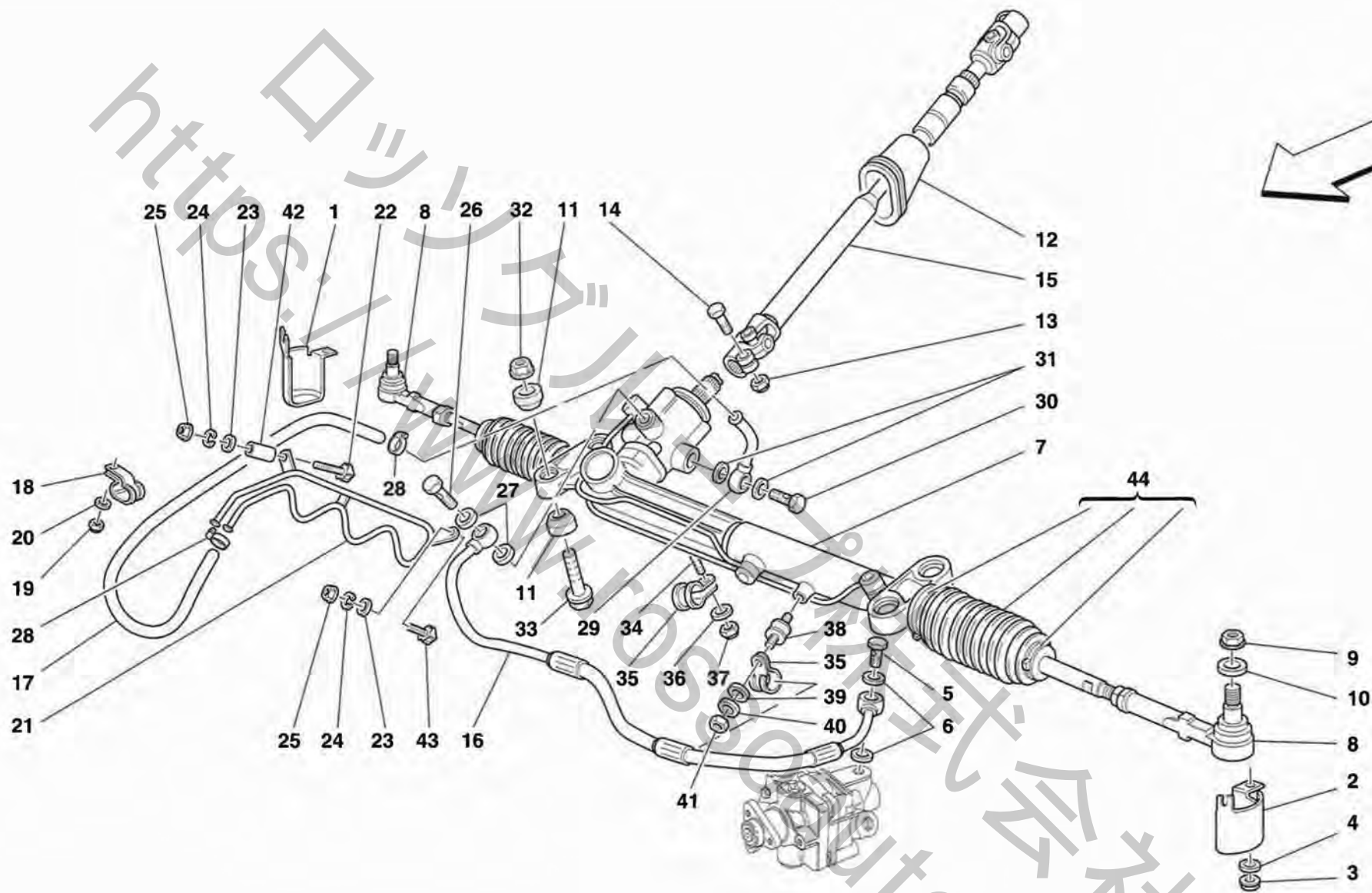


**456MGT/GTA**

**SCATOLA GUIDA IDRAULICA E SERPENTINA -No per GD-**  
**HYDRAULIC STEERING BOX AND SERPENTINE -Not for GD-**

**TAV. 51**  
 DATA: OTTOBRE '98

Rif	Dis.N° Part.N°	Q.ty	Denominazione	Description	Rif	Dis.N° Part.N°	Q.ty	Denominazione	Description
1	150879	1	PROTEZIONE DX.	R.H. PROTECTION	18	61712500	1	STAFFETTA CON GUAINA	BRACKET WITH SHEATH
2	150878	1	PROTEZIONE SX.	L.H. PROTECTION	19	102948	1	DADO	NUT
3	14058319	4	DADO	NUT	20	12639724	1	ROSETTA	WASHER
4	62764900	4	ROSETTA	WASHER	21	156656	1	SERPENTINA DI RAFFREDDAMENTO	REFRIGERATING COIL
5	10184411	1	RACCORDO	UNION	22	14663195	1	VITE	SCREW
6	10278660	2	GUARNIZIONE	GASKET				-Lato superiore-	-Upper side-
7	174950	1	SCATOLA GUIDA	STEERING BOX	-	14662495	1	VITE	SCREW
8	158016	2	GIUNTO SFERICO	BALL JOINT				-Lato inferiore-	-Lower side-
9	149807	2	DADO	NUT	23	12646601	2	ROSETTA	WASHER
10	155002	2	ROSETTA	WASHER	24	127494	2	ROSETTA	WASHER
11	155567	8	SILENT BLOCK	SILENT BLOCK	25	15896214	2	DADO	NUT
12	167341	1	GUARNIZIONE PER PARAFIAMMA	GASKET FOR SHIELD	26	170862	1	BOCCHETTONE	UNION
13	171702	2	SOFFIETTO COMPLETO	COMPLETE RUBBER BOOT	27	10280060	2	GUARNIZIONE	GASKET
14	175701	4	VITE	SCREW	28	161490	2	COLLARE A VITE	SCREW COLLAR
15	175283	4	DADO	NUT	29	174505	1	TRASMISSIONE CARDANICA	CARDANIC TRANSMISSION
16	170860	1	TUBO DA POMPA A SCATOLA GUIDA	PIPE FROM PUMP TO STEERING BOX	30	150427	2	VITE	SCREW
17	155572	1	TUBO GOMMA AL TUBO DI RAFFREDDAMENTO	RUBBER PIPE TO COOLING PIPE	31	150428	2	DADO	NUT
					32	165878	1	DISTANZIALE	SPACER
					33	14664790	1	VITE	SCREW



**456MGT/GTA**

**SCATOLA GUIDA IDRAULICA E SERPENTINA -Vale per GD-**  
**HYDRAULIC STEERING BOX AND SERPENTINE -Valid for GD-**

**TAV. 52**

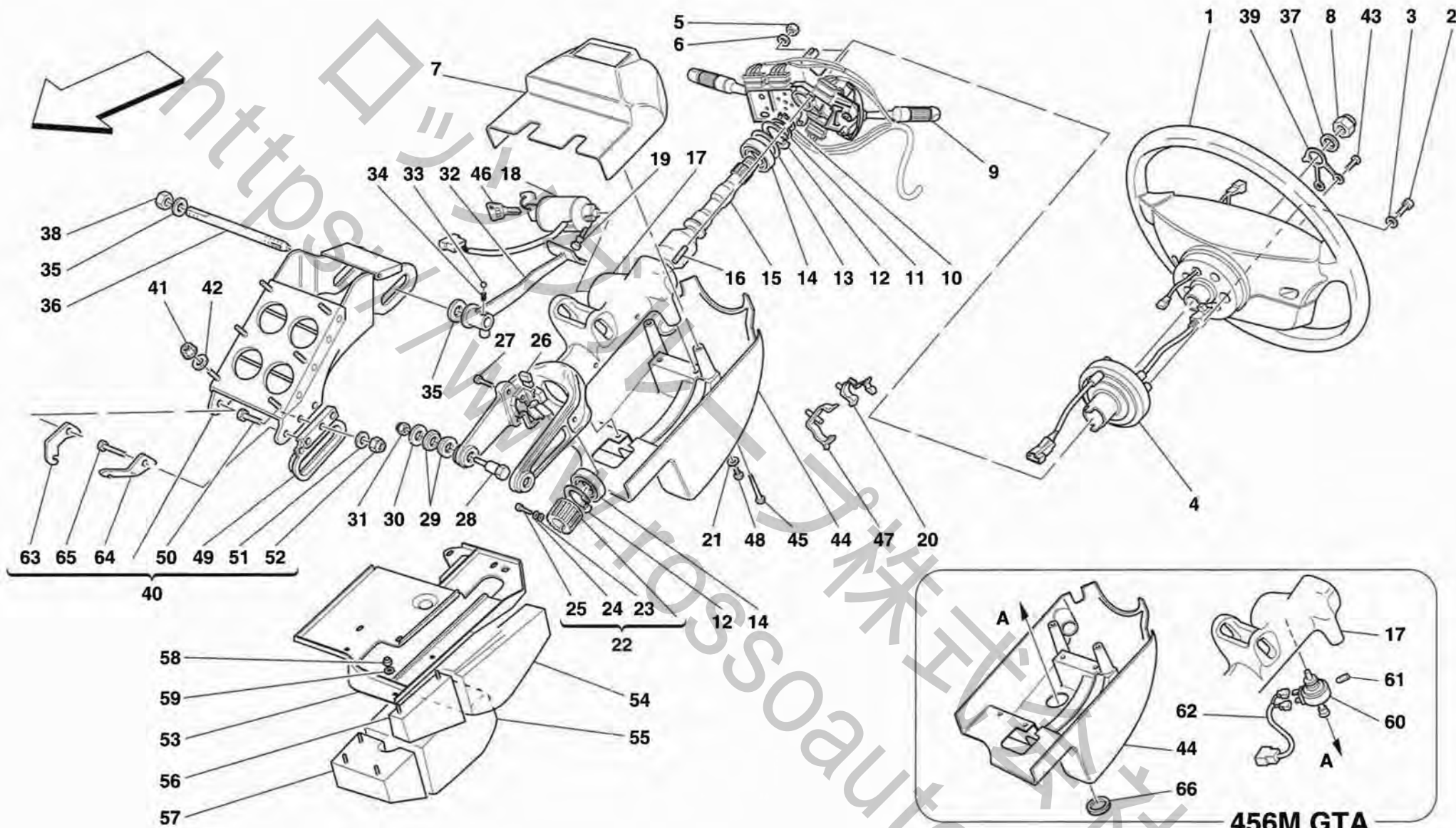
DATA: OTTOBRE '98



Rif	Dis.N° Part.N°	Q.ty	Denominazione	Description	Rif	Dis.N° Part.N°	Q.ty	Denominazione	Description
1	150879	1	PROTEZIONE DX.	R.H. PROTECTION	-	14662495	1	VITE	SCREW
2	150878	1	PROTEZIONE SX.	L.H. PROTECTION				-Lato inferiore-	-Lower side-
3	14058319	4	DADO	NUT	23	12646601	2	ROSETTA	WASHER
4	62764900	4	ROSETTA	WASHER	24	127494	2	ROSETTA	WASHER
5	10184411	1	RACCORDO	UNION	25	15896214	2	DADO	NUT
6	10278660	2	GUARNIZIONE	GASKET	26	170862	1	BOCCHETTONE	UNION
7	175141	1	SCATOLA GUIDA	STEERING BOX	27	10280060	2	GUARNIZIONE	GASKET
8	158016	2	GIUNTO SFERICO	BALL JOINT	28	13000390	2	COLLARE A VITE	SCREW COLLAR
9	149807	2	DADO	NUT	29	159714	1	RACCORDO	UNION
10	155002	2	ROSETTA	WASHER	30	10185111	1	BOCCHETTONE	UNION
11	155567	8	TAMPONE	PAD	31	10280060	2	GUARNIZIONE	GASKET
12	167341	1	GUARNIZIONE PER PARAFIAMMA	GASKET FOR SHIELD	32	175283	4	DADO	NUT
13	150428	2	DADO	NUT	33	175701	4	VITE	SCREW
14	150427	2	VITE	SCREW	34	11500124	1	PRIGIONIERO	STUD
15	176927	1	TRASMISSIONE CARDANICA	CARDANIC TRANSMISSION	35	10441890	2	STAFFETTA CON GUAINA	BRACKET WITH SHEATH
16	171813	1	TUBO DA POMPA A SCATOLA GUIDA	PIPE FROM PUMP TO STEERING BOX	36	14496424	1	ROSETTA	WASHER
17	157747	1	TUBO GOMMA AL TUBO DI RAFFREDDAMENTO	RUBBER PIPE TO COOLING PIPE	37	102948	1	DADO	NUT
18	139512	1	STAFFETTA CON GUAINA	BRACKET WITH SHEATH	38	142202	1	TAMPONE	PAD
19	102948	1	DADO	NUT	39	14496424	1	ROSETTA	WASHER
20	14499324	1	ROSETTA	WASHER	40	127494	1	ROSETTA	WASHER
21	156656	1	SERPENTINA DI RAFFREDDAMENTO	REFRIGERATING COIL	41	15896214	1	DADO	NUT
22	14663195	1	VITE	SCREW	42	165878	2	DISTANZIALE	SPACER
			-Lato superiore-	-Upper side-	43	14664790	1	VITE	SCREW
					44	171702	2	SOFFIETTO COMPLETO	COMPLETE RUBBER BOOT



Rif	Dis.N° Part.N°	Q.ty	Denominazione	Description	Rif	Dis.N° Part.N°	Q.ty	Denominazione	Description
1	174545	1	VOLANTE GUIDA COMPLETO	COMPLETE STEERING WHEEL	20	157386	4	MOLLETTA	CLIP
2	13271914	3	VITE	SCREW	21	12601176	6	ROSETTA	WASHER
3	10615274	3	ROSETTA	WASHER	22	150944	1	RUOTA FONICA COMPLETA	COMPLETE THED WHEEL
4	169471	1	CONTATTO A SPIRALE	SPIRAL CONTACT	23	12604079	1	ROSETTA	WASHER
5	15896470	2	DADO	NUT	24	14497701	1	ROSETTA	WASHER
6	12601174	2	ROSETTA	WASHER	25	14303324	1	VITE	SCREW
7	65734700	1	RICOPRIMENTO PIANTONE GUIDA SUPERIORE	UPPER COVER FOR STEERING ROD	26	171835	1	SENSORE DI STERZO	STEERING SENSOR
8	101648	1	DADO	NUT	27	14303374	2	VITE	SCREW
9	159411	1	DEVIOSGANCIO	UNHOOK DEVIATION	28	152044	2	PERNO	PIN
10	11066876	1	ANELLO SEEGER	SEEGER RING	29	156061	4	BOCCOLA	BUSHING
11	134070	1	ROSETTA DI RASAMENTO	SEEGER THRUST WASHER	30	100660	2	ROSETTA	WASHER
-	134071	1	IDEM SPESSORE mm.1,0	THICKNESS mm.1.0	31	147985	2	DADO	NUT
-	134072	1	IDEM SPESSORE mm.1,1	DITTO THICKNESS mm.1.1	32	168055	1	LEVA BLOCCAGGIO PIANTONE GUIDA	LOCK LEVER FOR STEERING COLUMN
-	134073	1	IDEM SPESSORE mm.1,2	DITTO THICKNESS mm.1.2	33	101611	1	SFERA	BALL
-	134074	1	IDEM SPESSORE mm.1,3	DITTO THICKNESS mm.1.3	34	155865	1	MOLLA	SPRING
12	11060076	2	ANELLO SEEGER	SEEGER RING	35	163593	2	DISTANZIALE	SPACER
13	134065	1	ROSETTA DI RASAMENTO	BEERING THRUST WASHER	36	175715	1	ALBERINO	SHAFT
-	134066	1	CUSCINETTO SPESSORE mm.1,0	THICKNESS mm.1.0	37	10730921	1	ROSETTA	WASHER
-	134067	1	IDEM SPESSORE mm.1,1	DITTO THICKNESS mm.1.1	38	102825	1	DADO	NUT
-	134068	1	IDEM SPESSORE mm.1,2	DITTO THICKNESS mm.1.2	39	157639	1	MOLLA	SPRING
-	134069	1	IDEM SPESSORE mm.1,3	DITTO THICKNESS mm.1.3	40	178004	1	STAFFA SUPPORTO PIANTONE	COLUMN SUPPORT BRACKET
14	134061	2	CUSCINETTO	BEARING	41	14058411	6	DADO	NUT
15	157968	1	ALBERO SUPERIORE COMANDO STERZO	UPPER SHAFT FOR STEERING CONTROL	42	12643724	6	ROSETTA	WASHER
16	11001224	2	PRIGIONIERO	STUD	43	11021111	2	VITE	SCREW
17	175817	1	SUPPORTO PIANTONE	COLUMN SUPPORT	44	63895900	1	RICOPRIMENTO PIANTONE GUIDA INFERIORE	LOWER COVER FOR STEERING ROD
-	178008	1	SUPPORTO PIANTONE	COLUMN SUPPORT	-	64889500	1	RICOPRIMENTO PIANTONE GUIDA INFERIORE	LOWER COVER FOR STEERING ROD
18	162547	1	ANTIFURTO BLOCCASTERZO COMPLETO DI CHIAVE E BLOCCHETTI SERRATURA PORTE	STEERING LOCK WITH DOORS LOCKS SET AND KEY	45	13275217	2	VITE	SCREW
-	164514	1	ANTIFURTO BLOCCASTERZO COMPLETO DI CHIAVE E BLOCCHETTI SERRATURA PORTE	STEERING LOCK WITH DOORS LOCKS SET AND KEY	46	170010	-	CHIAVE GREZZA	BLANK KEY
19	168046	1	VITE	SCREW	47	157385	4	MOLLETTA	CLIP
					48	13274117	4	VITE	SCREW
					49	177973	1	STAFFETTA SX.	L.H. BRACKET
					-	177972	1	STAFFETTA DX.	R.H. BRACKET
					50	10902524	4	VITE	SCREW
					51	10519424	6	ROSETTA	WASHER
					52	102948	6	DADO	NUT
					53	64450700	1	PIASTRA SOTTO PIANTONE	UNDER COLUMN PLATE



**456MGT/GTA**

**COMANDO STERZO**  
**STEERING COLUMN**

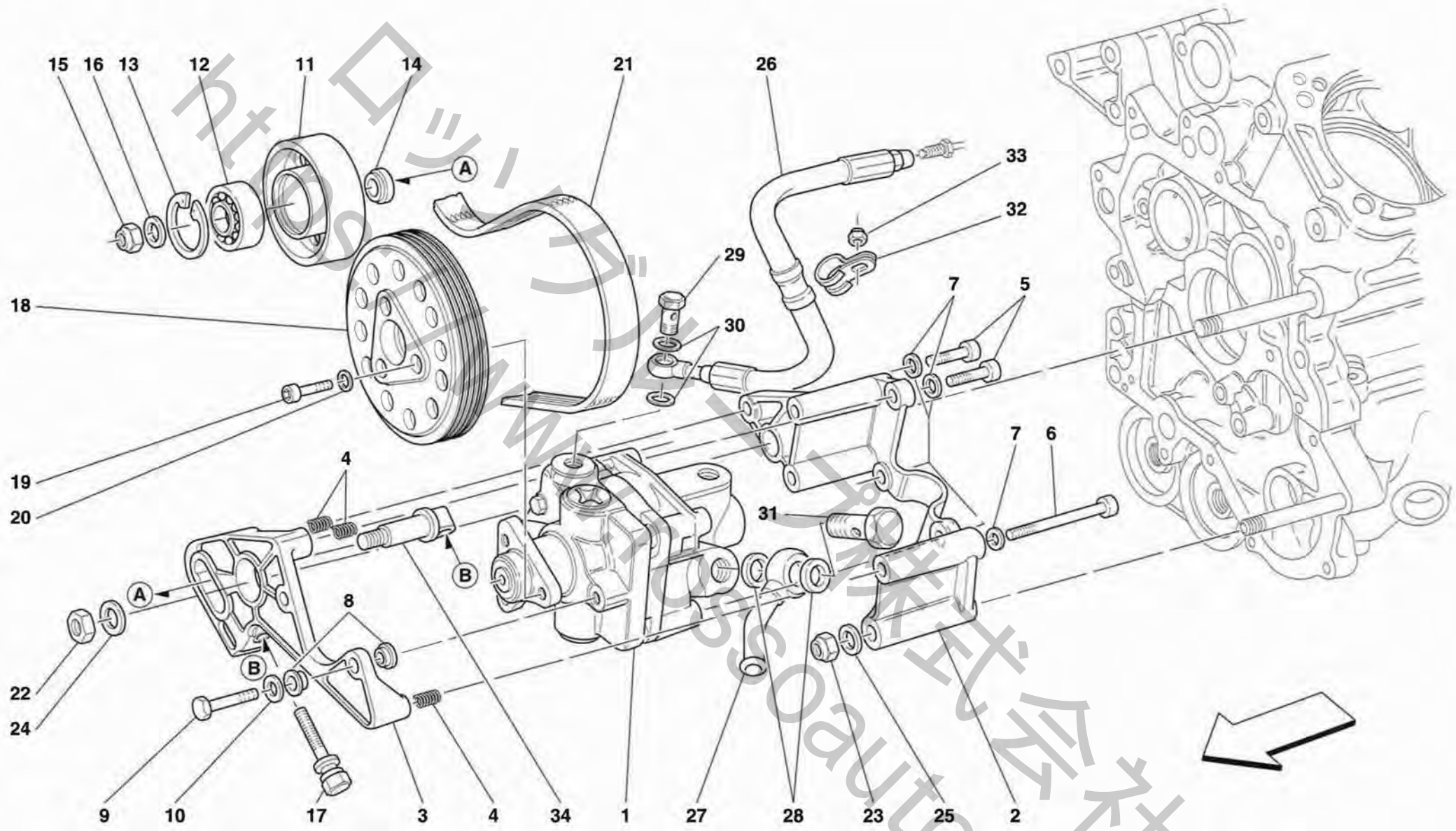
**TAV. 53**

**DATA: OTTOBRE '98**



Rif	Dis.N° Part.N°	Q.ty	Denominazione	Description
54	64450900	1	RIEMPITIVO SX.	L.H. FILLER
55	64450800	1	RIEMPITIVO DX.	R.H. FILLER
56	64509000	1	RIPORTO ESTERNO SX.	L.H. OUTER INSERT
57	64508900	1	RIPORTO ESTERNO DX.	R.H. OUTER INSERT
58	102741	5	DADO	NUT
59	12601274	5	ROSETTA	WASHER
60	169982	1	ELETTROMAGNETE	ELECTRO-MAGNET
			-Vale per 456M GTA-	-Valid for 456M GTA-
61	169984	2	GRANO	DOWEL
			-Vale per 456M GTA-	-Valid for 456M GTA-

Rif	Dis.N° Part.N°	Q.ty	Denominazione	Description
62	169983	1	CAVO COLLEGAMENTO ELETTROMAGNETE	ELECTRO-MAGNET LINK CABLE
			-Vale per 456M GTA-	-Valid for 456M GTA-
63	176093	1	PIASTRINO RICHIAMO PEDALE FRENO	BRAKE PEDAL RETURN SMALL PLATE
64	176049	1	PIASTRINO RICHIAMO PEDALE FRIZIONE	CLUTCH PEDAL RETURN SMALL PLATE
65	10902624	2	VITE	SCREW
66	64890600	1	TAPPO	PLUG
			-Vale per 456M GTA-	-Valid for 456M GTA-

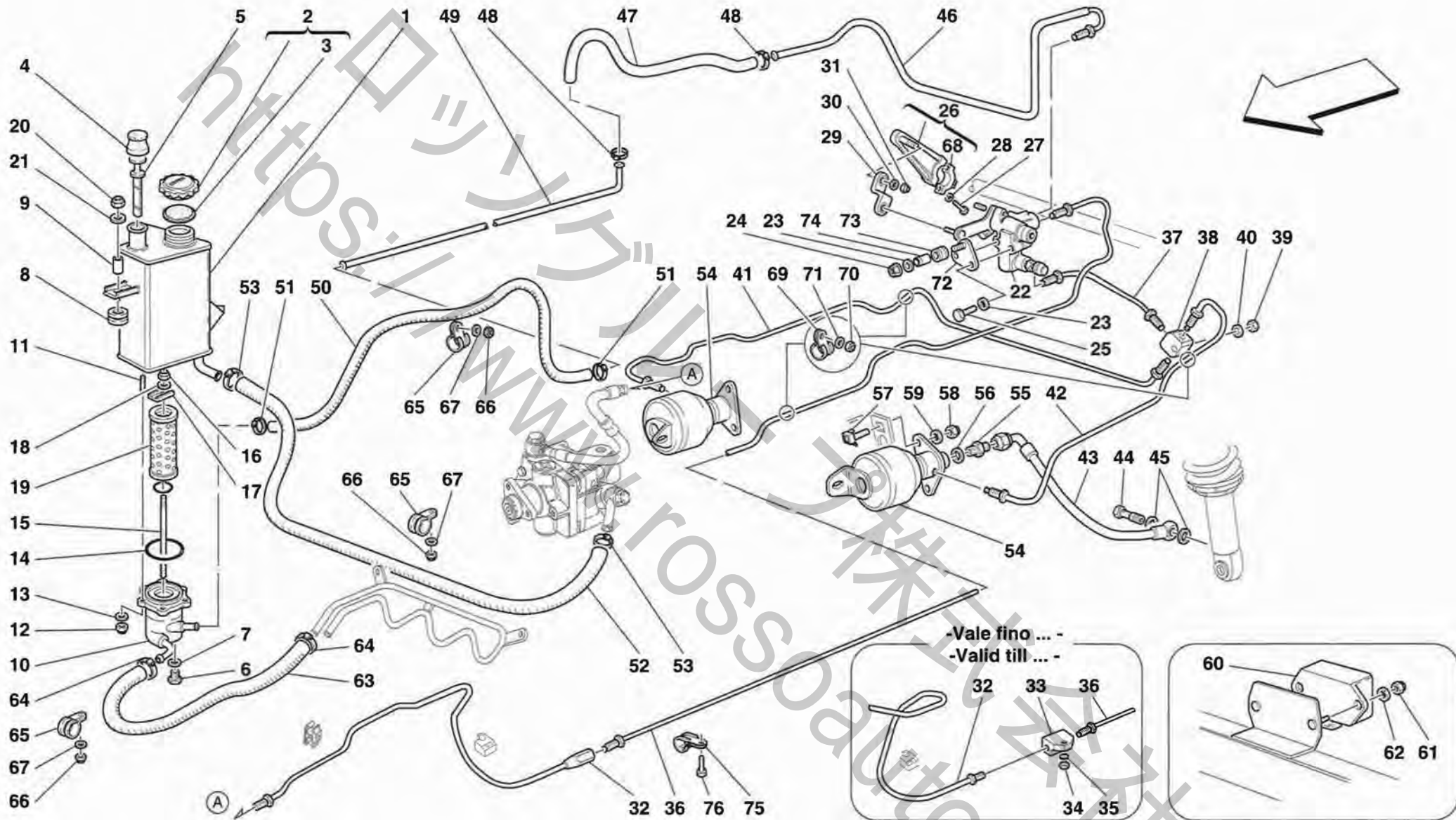


**456MGT/GTA**

**POMPA IDROGUIDA**  
**HYDRAULIC STEERING PUMPS**

**TAV. 54**  
 DATA: OTTOBRE '98

Rif	Dis.N° Part.N°	Q.ty	Denominazione	Description	Rif	Dis.N° Part.N°	Q.ty	Denominazione	Description
1	154512	1	POMPA IDROGUIDA	HYDRAULIC SERVO-CONTROL PUMP	-	169926	1	CINGHIA POMPA ACQUA E IDROGUIDA	WATER AND HYDR. STEERING PUMP BELT
2	153360	1	SUPPORTO INTERNO	INNER SUPPORT					
3	153378	1	SUPPORTO CON TENDICINGHIA	SUPPORT WITH BELT TIGHTENER					
4	13525770	4	INSERTO FILETTATO	THREADED INSERT	22	148020	1	DADO	NUT
5	14306424	4	VITE	SCREW	23	102742	1	DADO	NUT
6	14307224	3	VITE	SCREW	24	157115	1	ROSETTA	WASHER
7	11193874	7	ROSETTA	WASHER	25	13550401	1	ROSETTA	WASHER
8	150309	4	BOCCOLA	BUSHING	26	154154	1	TUBO FLESSIBILE	HOSE
9	16052024	2	VITE	SCREW	27	166996	1	RACCORDO	UNION
10	12601374	2	ROSETTA	WASHER					
11	148631	1	PULEGGIA	PULLEY	-	155449	1	RACCORDO	UNION
12	123350	1	CUSCINETTO	BEARING					
13	11060076	1	ANELLO SEEGER	SEEGER RING					
14	148638	1	DISTANZIALE	SPACER	28	10261560	2	GUARNIZIONE	GASKET
15	102825	1	DADO	NUT	29	113670	1	RACCORDO	UNION
16	10730721	1	RONDELLA	WASHER	30	10260160	2	GUARNIZIONE	GASKET
17	157289	1	VITE	SCREW	31	155448	1	RACCORDO	UNION
18	150333	1	PULEGGIA	PULLEY	32	10441890	1	STAFFETTA CON GUAINA	BRACKET WITH SHEATH
19	14307024	3	VITE	SCREW	33	102741	1	DADO	NUT
20	12601374	3	ROSETTA	WASHER	34	153165	1	PERNO	PIN
21	166453	1	CINGHIA POMPA ACQUA E IDROGUIDA -No per 456M GTA-	WATER AND HYDR. STEERING PUMP BELT -Not for 456M GTA-					



**456MGT/GTA**

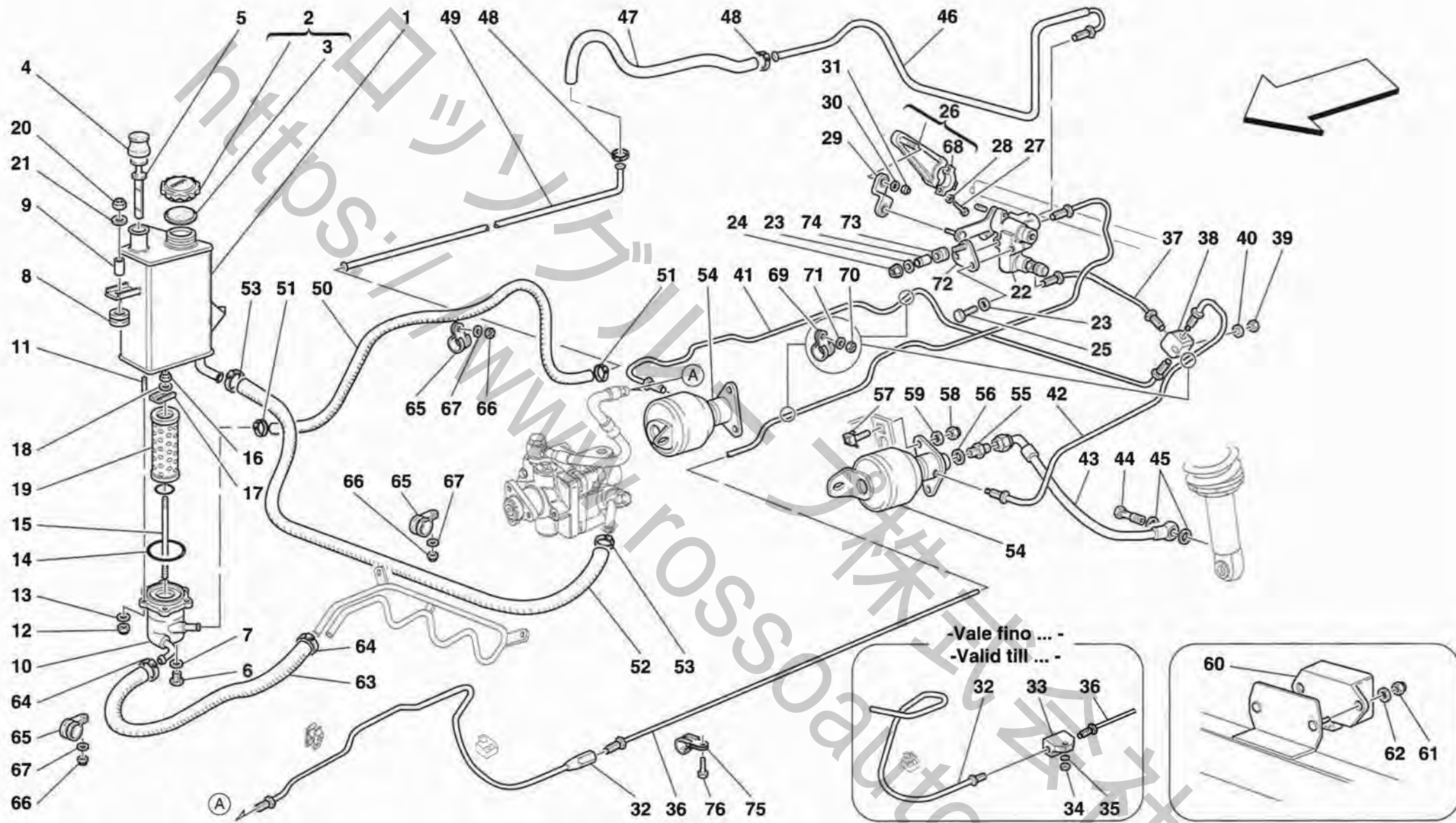
IMPIANTO SOSPENSIONI AUTOLIVELLANTI -No per 456M GTA-  
SELF-LEVELLING SUSPENSION SYSTEM -Not for 456M GTA-

TAV. 55

DATA: OTTOBRE '98



Rif	Dis.N° Part.N°	Q.ty	Denominazione	Description	Rif	Dis.N° Part.N°	Q.ty	Denominazione	Description
1	153642	1	SERBATOIO	FUEL TANK	-	178672	2	TUBO DA FLESSIBILE A GIUNZIONE	PIPE FROM HOSE TO UNION
2	175708	1	TAPPO COMPLETO	COMPLETE PLUG				-Vale per GD-	-Valid for GD-
3	175709	1	GUARNIZIONE	GASKET				-Vale dalla vett. Ass. Nr. 29750 GB	-Valid from car Ass. Nr. 29750 GB
4	153887	1	TAPPO	PLUG				e dalla vett. Ass. Nr. 30157 AUS-	and from car Ass. Nr. 30157 AUS-
5	154090	1	ASTA INDICATORE LIVELLO OLIO	OIL LEVEL INDICATOR ROD	33	155215	1	RACCORDO	UNION
6	11903111	1	TAPPO SCARICO OLIO	OIL OUTLET PLUG				-Vale fino alla vett. Ass. Nr. 29770	-Valid till car Ass. Nr. 29770 GS,
7	10260160	1	GUARNIZIONE	GASKET				GS, fino alla vett. Ass. Nr. 29749	till car Ass. Nr. 29749 GB and
8	103549	3	ANELLO PASSAFILO	CABLE GROMMET				GB e fino alla vett. Ass. Nr. 30156	till car Ass. Nr. 30156
9	103550	3	DISTANZIALE	SPACER				AUS-	AUS-
10	154089	1	FUSO PER SERBATOIO	SPINDLE FOR FUEL TANK	34	102741	1	DADO	NUT
11	13539424	6	PRIGIONIERO	STUD				-Vale fino alla vett. Ass. Nr. 29770	-Valid till car Ass. Nr. 29770 GS,
12	169180	6	DADO	NUT				GS, fino alla vett. Ass. Nr. 29749	till car Ass. Nr. 29749 GB and
13	14496324	6	ROSETTA	WASHER				GB e fino alla vett. Ass. Nr. 30156	till car Ass. Nr. 30156
14	154691	1	GUARNIZIONE O.R.	O.R. GASKET				AUS-	AUS-
15	153646	1	PRIGIONIERO	STUD	35	12639724	1	ROSETTA	WASHER
16	102948	1	DADO	NUT				-Vale fino alla vett. Ass. Nr. 29770	-Valid till car Ass. Nr. 29770 GS,
17	157100	1	PIASTRINA	PLATE				GS, fino alla vett. Ass. Nr. 29749	till car Ass. Nr. 29749 GB and
18	14496424	1	ROSETTA	WASHER				GB e fino alla vett. Ass. Nr. 30156	till car Ass. Nr. 30156
19	154217	1	FILTRO OLIO	OIL FILTER				AUS-	AUS-
20	102948	3	DADO	NUT	36	155446	1	TUBO DA RACCORDO A VALVOLA	PIPE FROM UNION TO VALVE
21	12643724	6	ROSETTA	WASHER				-Vale fino alla vett. Ass. Nr. 29770	-Valid till car Ass. Nr. 29770 GS,
22	153814	1	VALVOLA	VALVE				GS, fino alla vett. Ass. Nr. 29749	till car Ass. Nr. 29749 GB and
23	12643724	3	ROSETTA	WASHER				GB e fino alla vett. Ass. Nr. 30156	till car Ass. Nr. 30156
24	102948	1	DADO	NUT				AUS-	AUS-
25	10902834	2	VITE	SCREW	-	178673	1	TUBO DA GIUNZIONE A VALVOLA	PIPE FROM UNION TO VALVE
26	156709	1	LEVA	LEVER				-Vale dalla vett. Ass. Nr. 29771 GS,	-Valid from car Ass. Nr. 29771 GS,
27	10978024	2	VITE	SCREW				dalla vett. Ass. Nr. 29750 GB	from car Ass. Nr. 29750 GB and
28	14496324	2	ROSETTA	WASHER				e dalla vett. Ass. Nr. 30157 AUS-	from car Ass. Nr. 30157 AUS-
29	153810	1	BIELLETTA	SMALL LINK	37	154155	1	TUBO DA VALVOLA A	PIPE FROM VALVE TO
30	10519224	2	ROSETTA	WASHER				RACCORDO A TRE VIE	3-WAY UNION
31	62790300	2	DADO	NUT	38	154156	1	RACCORDO A TRE VIE	3-WAY UNION
32	175639	2	TUBO DA FLESSIBILE A RACCORDO	PIPE FROM HOSE TO TWO-WAY	39	102741	1	DADO	NUT
			A DUE VIE	UNION	40	12639724	1	ROSETTA	WASHER
			-No per GD-	-Not for GD-	41	154157	1	TUBO DA RACCORDO A TRE VIE	PIPE FROM 3-WAY UNION TO
			-Vale fino alla vett. Ass. Nr. 29770-	-Valid till car Ass. Nr. 29770-				AD ACCUMULATORE DX.	R.H. ACCUMULATOR
-	178670	2	TUBO DA FLESSIBILE A GIUNZIONE	PIPE FROM HOSE TO UNION	42	154158	1	TUBO DA RACCORDO A TRE VIE	PIPE FROM 3-WAY UNION TO
			-No per GD-	-Not for GD-				AD ACCUMULATORE SX.	L.H. ACCUMULATOR
			-Vale dalla vett. Ass. Nr. 29771-	-Valid from car Ass. Nr. 29771-	43	154159	2	TUBO DA ACCUMULATORE AD	PIPE FROM ACCUMULATOR TO
								AMMORTIZZATORE	SHOCK ABSORBER
-	176971	2	TUBO DA FLESSIBILE A RACCORDO	PIPE FROM HOSE TO TWO-WAY	44	10185111	2	RACCORDO	UNION
			A DUE VIE	UNION	45	11270260	4	GUARNIZIONE	GASKET
			-Vale per GD-	-Valid for GD-					
			-Vale fino alla vett. Ass. Nr. 29749	-Valid till car Ass. Nr. 29749 GB					
			GB e alla vett. Ass. Nr. 30156 AUS-	and till car Ass. Nr. 30156 AUS-					



**456MGT/GTA**

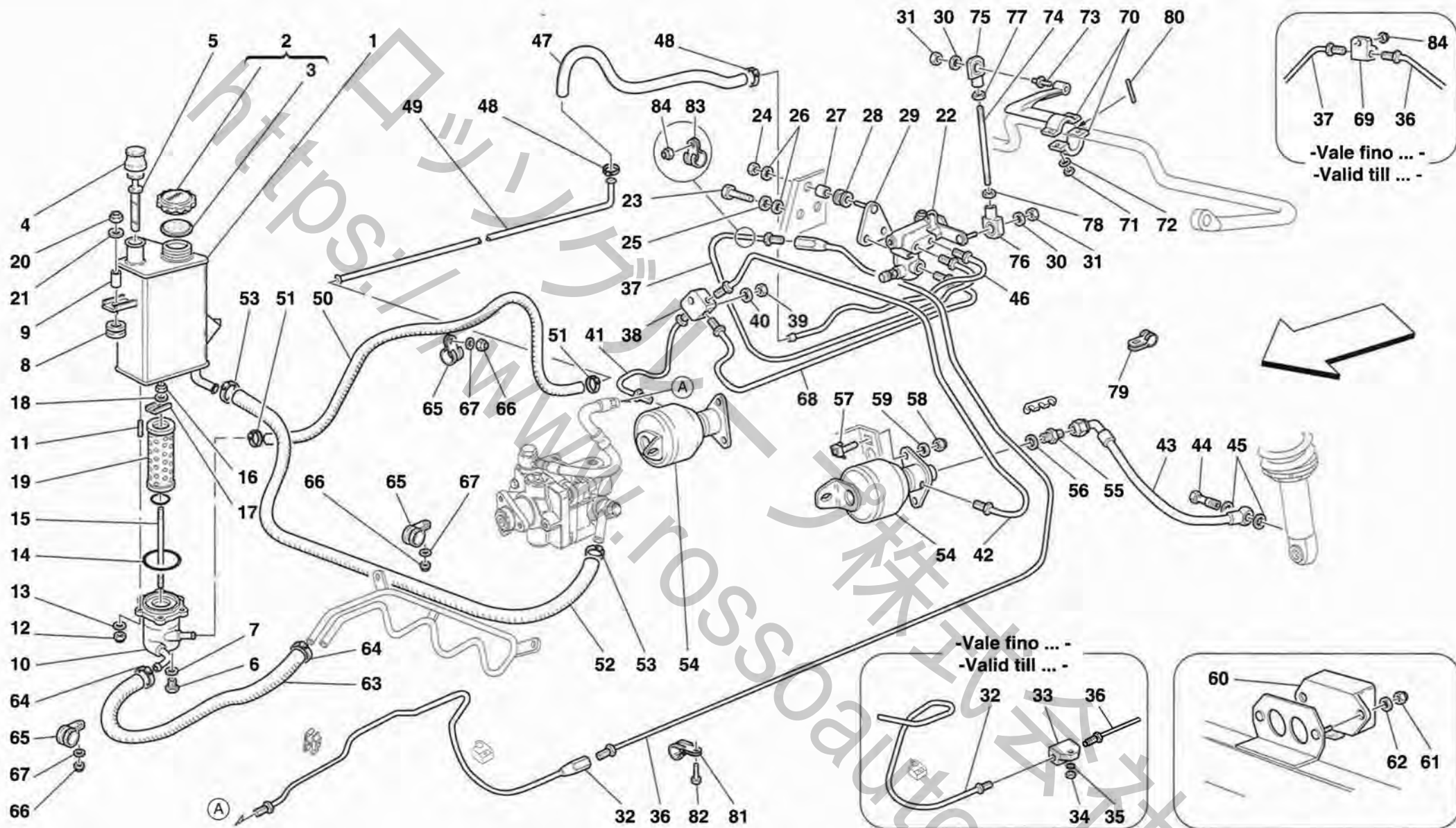
**IMPIANTO SOSPENSIONI AUTOLIVELLANTI -No per 456M GTA-**  
**SELF-LEVELLING SUSPENSION SYSTEM -Not for 456M GTA-**

**TAV. 55**

DATA: OTTOBRE '98

Rif	Dis.N° Part.N°	Q.ty	Denominazione	Description	Rif	Dis.N° Part.N°	Q.ty	Denominazione	Description
46	154161	1	TUBO RITORNO	RETURN PIPE	64	161490	2	COLLARE A VITE	SCREW COLLAR
47	155444	1	TUBO GOMMA RITORNO	RETURN RUBBER PIPE	65	10441790	4	STAFFETTA CON GUAINA	BRACKET WITH SHEATH
48	13000190	2	COLLARE A VITE	SCREW COLLAR	66	102741	4	DADO	NUT
49	155447	1	TUBO BUNDY INTERMEDIO	INTERMEDIATE BUNDY TUBE	67	12639724	4	ROSETTA	WASHER
50	155443	1	TUBO GOMMA A SERBATOIO	RUBBER PIPE TO TANK	68	158087	1	CAVALLOTTO	RETAINER
51	13000190	2	COLLARE A VITE	SCREW COLLAR	69	10440890	1	STAFFETTA CON GUAINA	BRACKET WITH SHEATH
52	155442	1	TUBO GOMMA DA SERBATOIO A POMPA	RUBBER PIPE FROM TANK TO PUMP	70	102741	1	DADO	NUT
53	13000390	2	COLLARE A VITE	SCREW COLLAR	71	10519424	1	ROSETTA	WASHER
54	158693	2	ACCUMULATORE PER VARIATORE ASSETTO	ACCUMULATOR FOR ATTITUDE VARIATOR	72	169224	1	STAFFA	BRACKET
55	155129	2	RACCORDO	UNION	73	103549	3	ANELLO PASSAFILO	CABLE GROMMET
56	10280060	2	GUARNIZIONE	GASKET	74	103550	3	DISTANZIALE	SPACER
57	14664790	6	VITE	SCREW	75	10441490	1	STAFFETTA CON GUAINA	BRACKET WITH SHEATH
58	102741	6	DADO	NUT				-Vale dalla vett. Ass. Nr. 29771 GS, dalla vett. Ass. Nr. 29750 GB e dalla vett. Ass. Nr. 30157 AUS-	-Valid from car Ass. Nr. 29771 GS, from car Ass. Nr. 29750 GB and from car Ass. Nr. 30157 AUS-
59	14496424	6	ROSETTA	WASHER	76	10902124	1	VITE	SCREW
60	154310	1	ACCELEROMETRO	ACCELEROMETER				-Vale dalla vett. Ass. Nr. 29771 GS, dalla vett. Ass. Nr. 29750 GB e dalla vett. Ass. Nr. 30157 AUS-	-Valid from car Ass. Nr. 29771 GS, from car Ass. Nr. 29750 GB and from car Ass. Nr. 30157 AUS-
61	102741	2	DADO	NUT					
62	12646601	2	ROSETTA	WASHER					
63	155574	1	TUBO GOMMA DA TUBO RAFFREDDAMENTO A SERBATOIO	RUBBER PIPE FROM COOLING PIPE TO TANK					





**456MGT/GTA**

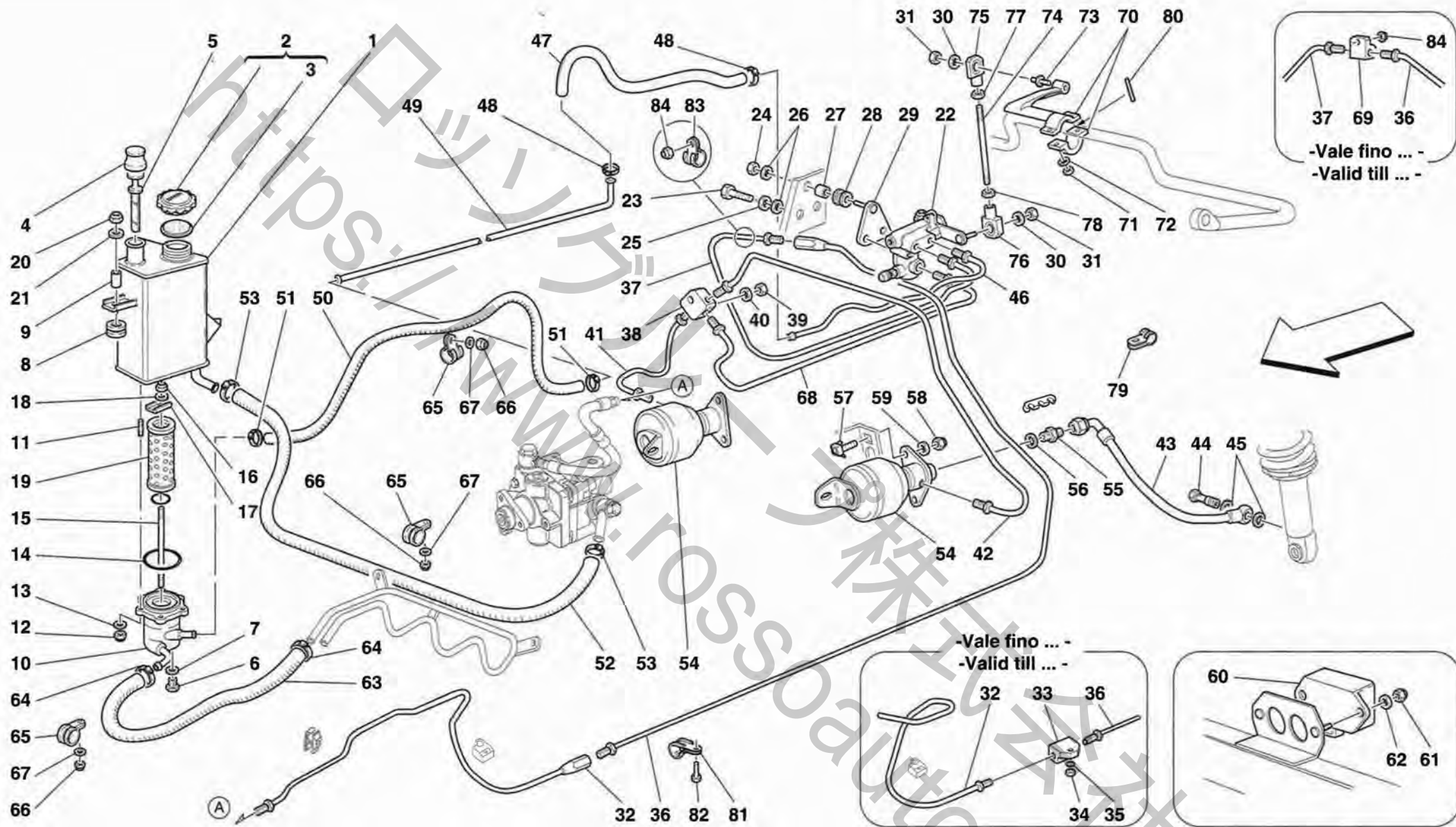
**IMPIANTO SOSPENSIONI AUTOLIVELLANTI -Vale per 456M GTA-**  
**SELF-LEVELLING SUSPENSION SYSTEM -Valid for 456M GTA-**

**TAV. 56**

**DATA: OTTOBRE '98**







**456MGT/GTA**

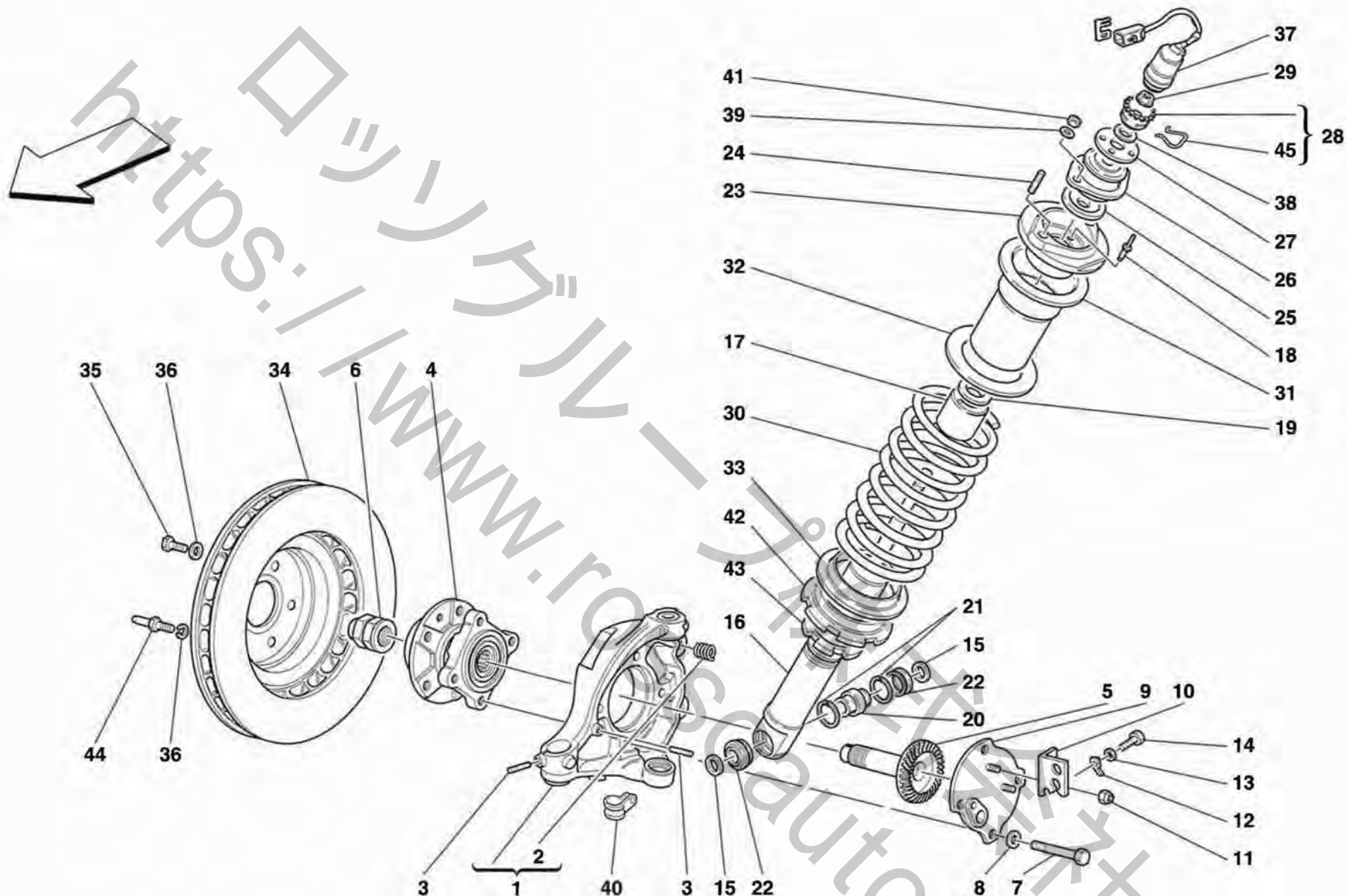
**IMPIANTO SOSPENSIONI AUTOLIVELLANTI -Vale per 456M GTA-**  
**SELF-LEVELLING SUSPENSION SYSTEM -Valid for 456M GTA-**

**TAV. 56**

DATA: OTTOBRE '98

Rif	Dis.N° Part.N°	Q.ty	Denominazione	Description	Rif	Dis.N° Part.N°	Q.ty	Denominazione	Description
41	168752	1	TUBO DA RACCORDO A TRE VIE AD ACCUMULATORE DX. <b>-No per GD-</b>	PIPE FROM 3-WAY UNION TO R.H.ACCUMULATOR <b>-Not for GD-</b>	58	102741	3	DADO	NUT
-	154157	1	TUBO DA RACCORDO A TRE VIE AD ACCUMULATORE DX. <b>-Vale per GD-</b>	PIPE FROM 3-WAY UNION TO R.H.ACCUMULATOR <b>-Valid for GD-</b>	59	14496424	3	ROSETTA	WASHER
42	168753	1	TUBO DA RACCORDO A TRE VIE AD ACCUMULATORE SX. <b>-No per GD-</b>	PIPE FROM 3-WAY UNION TO L.H. ACCUMULATOR <b>-Not for GD-</b>	60	154310	1	ACCELEROMETRO	ACCELEROMETER
-	154158	1	TUBO DA RACCORDO A TRE VIE AD ACCUMULATORE SX. <b>-Vale per GD-</b>	PIPE FROM 3-WAY UNION TO L.H. ACCUMULATOR <b>-Valid for GD-</b>	61	102741	2	DADO	NUT
43	169624	1	TUBO DA ACCUMULATORE AD AMMORTIZZATORE -Lato comando freno a mano- <b>-No per GD-</b>	PIPE FROM ACCUMULATOR TO SHOCK ABSORBER -Hand-brake control side- <b>-Not for GD-</b>	62	12646601	2	ROSETTA	WASHER
-	154159	1	TUBO DA ACCUMULATORE AD AMMORTIZZATORE -Lato opposto comando freno a mano- <b>-Per GD Q.tà 2-</b>	PIPE FROM ACCUMULATOR TO SHOCK ABSORBER -Hand-brake control opposite side- <b>-For GD Q.ty 2-</b>	63	155574	1	TUBO GOMMA DA TUBO RAFFREDDAMENTO A SERBATOIO	RUBBER PIPE FROM COOLING PIPE TO TANK
44	10185111	2	RACCORDO	UNION	64	161490	2	COLLARE A VITE	SCREW COLLAR
45	11270260	4	GUARNIZIONE	GASKET	65	10441790	1	STAFFETTA CON GUAINA	BRACKET WITH SHEATH
46	168754	1	TUBO RITORNO <b>-No per GD-</b>	RETURN PIPE <b>-Not for GD-</b>	66	102948	2	DADO	NUT
-	154161	1	TUBO RITORNO <b>-Vale per GD-</b>	RETURN PIPE <b>-Valid for GD-</b>	67	12639724	2	ROSETTA	WASHER
47	155444	1	TUBO GOMMA RITORNO	RETURN RUBBER PIPE	68	168751	1	TUBO DA VALVOLA A RACCORDO	PIPE FROM VALVE TO UNION
48	13000190	2	COLLARE A VITE	SCREW COLLAR	69	155215	1	RACCORDO <b>-Vale fino alla vett. Ass. Nr. 29770 GS, fino alla vett. Ass. Nr. 29749 GB e fino alla vett. Ass. Nr. 30156 AUS-</b>	UNION <b>-Valid till car Ass. Nr. 29770 GS, till car Ass. Nr. 29749 GB and till car Ass. Nr. 30156 AUS-</b>
49	155447	1	TUBO BUNDY INTERMEDIO	INTERMEDIATE BUNDY TUBE	70	162426	1	LEVA COMANDO VALVOLA	VALVE CONTROL LEVER
50	155443	1	TUBO GOMMA A SERBATOIO	RUBBER PIPE TO TANK	71	169180	2	DADO	NUT
51	13000190	2	COLLARE A VITE	SCREW COLLAR	72	14496324	2	ROSETTA	WASHER
52	155442	1	TUBO GOMMA DA SERBATOIO A POMPA	RUBBER PIPE FROM TANK TO PUMP	73	172567	1	PERNO	PIN
53	13000490	2	COLLARE A VITE	SCREW COLLAR	74	162432	1	TIRANTE	TIE ROD
54	158693	2	ACCUMULATORE PER VARIATORE ASSETTO	ACCUMULATOR FOR ATTITUDE VARIATOR	75	162428	1	SEDE SFERICA SNODO	BALL JOINT SEAT
55	155129	2	RACCORDO	UNION	76	162429	1	SEDE SFERICA SNODO	BALL JOINT SEAT
56	10280060	2	GUARNIZIONE	GASKET	77	10794014	1	DADO	NUT
57	14664790	3	VITE	SCREW	78	10791114	1	DADO	NUT
					79	10441290	3	STAFFETTA CON GUAINA	BRACKET WITH SHEATH
					80	11001224	2	PRIGIONIERO	STUD
					81	10441490	1	STAFFETTA CON GUAINA <b>-Vale dalla vett. Ass. Nr. 29771 GS, dalla vett. Ass. Nr. 29750 GB e dalla vett. Ass. Nr. 30157 AUS-</b>	BRACKET WITH SHEATH <b>-Valid from car Ass. Nr. 29771 GS, from car Ass. Nr. 29750 GB and from car Ass. Nr. 30157 AUS-</b>
					82	10902124	1	VITE <b>-Vale dalla vett. Ass. Nr. 29771 GS, dalla vett. Ass. Nr. 29750 GB e dalla vett. Ass. Nr. 30157 AUS-</b>	SCREW <b>-Valid from car Ass. Nr. 29771 GS, from car Ass. Nr. 29750 GB and from car Ass. Nr. 30157 AUS-</b>
					83	10441490	1	STAFFETTA CON GUAINA <b>-Vale dalla vett. Ass. Nr. 29771 GS, dalla vett. Ass. Nr. 29750 GB e dalla vett. Ass. Nr. 30157 AUS-</b>	BRACKET WITH SHEATH <b>-Valid from car Ass. Nr. 29771 GS, from car Ass. Nr. 29750 GB and from car Ass. Nr. 30157 AUS-</b>
					84	102948	1	DADO	NUT





**456MGT/GTA**

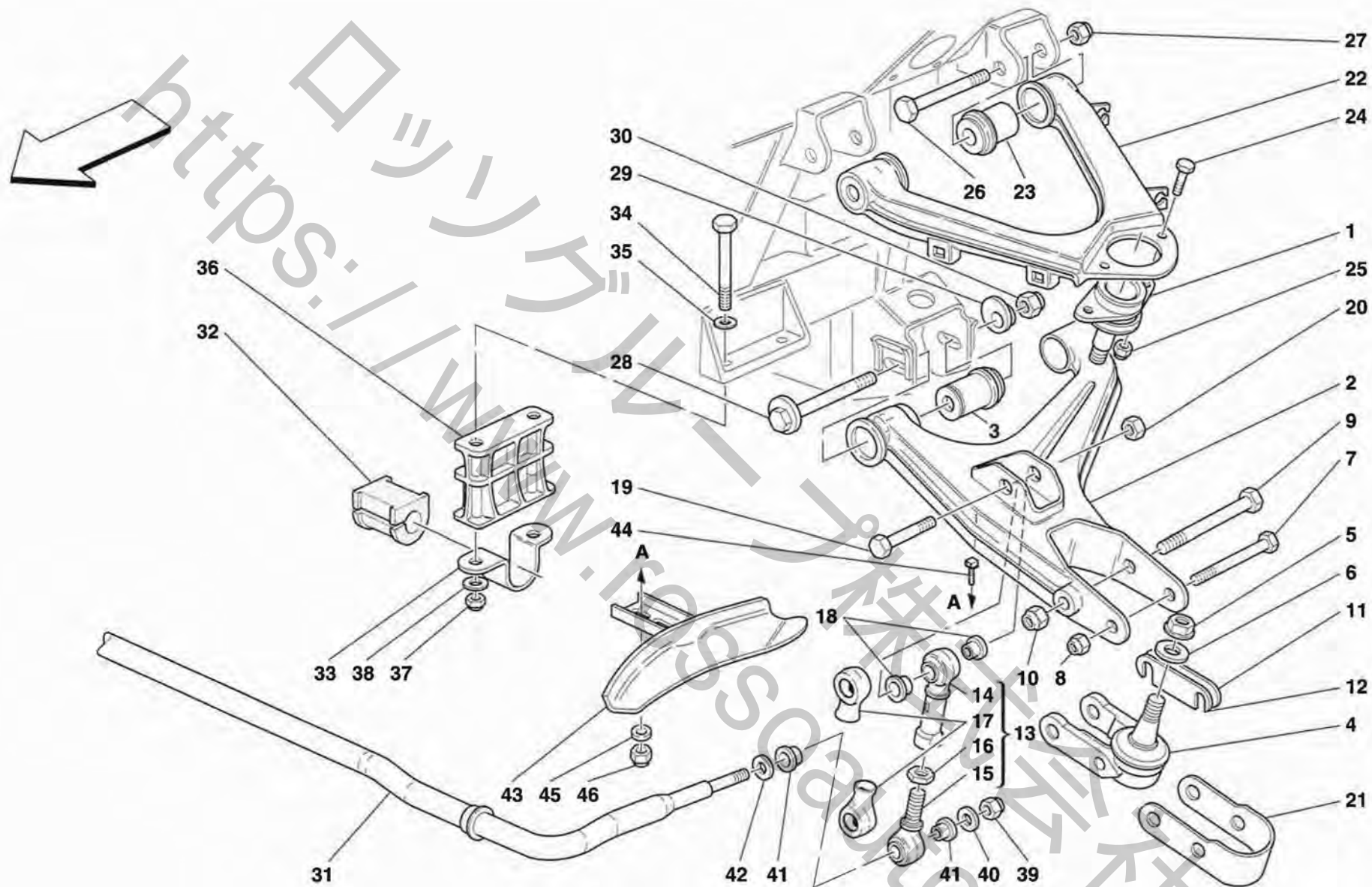
**SOSPENSIONE ANTERIORE - AMMORTIZZATORE E DISCO FRENO**  
**FRONT SUSPENSION - SHOCK ABSORBER AND BRAKE DISC**

**TAV. 57**

DATA: OTTOBRE '98



Rif	Dis.N° Part.N°	Q.ty	Denominazione	Description	Rif	Dis.N° Part.N°	Q.ty	Denominazione	Description
-	178886	1	<b>FUSO A SNODO DX. COMPLETO</b>	<b>COMPLETE R.H. STEERING KNUCKLE</b>	18	14641491	8	RIVETTO	RIVET
1	176182	1	FUSO A SNODO DX. -Non a ricambio- -Con il fuso a snodo Dx. completo-	R.H. STEERING KNUCKLE -Not as spare part- -With complete R.H. steering knuckle-	19	157104	2	BOCCOLA	BUSHING
-	178887	1	<b>FUSO A SNODO SX. COMPLETO</b>	<b>COMPLETE L.H. STEERING KNUCKLE</b>	20	153285	2	SNODO SFERICO	BALL JOINT
1	176183	1	FUSO A SNODO SX. -Non a ricambio- -Con il fuso a snodo Sx. completo-	L.H. STEERING KNUCKLE -Not as spare part- -With complete L.H. steering knuckle-	21	145478	4	ANELLO SEEGER	SEEGER RING
2	133771	4	INSERTO FILETTATO	THREADED INSERT	22	153286	4	GOMMINO	RUBBER
3	11000924	4	PRIGIONIERO	STUD	23	152573	2	SCODELLINO	CUP
4	157900	2	CUSCINETTO COMPL. DI MOZZO	HUB COMPLETE BEARING	24	13546324	4	PRIGIONIERO	STUD
5	174045	2	RUOTA FONICA ANTERIORE	FRONT TOOTHED WHEEL	25	152654	2	ROSETTA	WASHER
6	148851	2	DADO	NUT	26	117720	2	HYPERBLOCK	HYPERBLOCK
7	16324034	8	VITE	SCREW	27	152653	2	ROSETTA DI RASAMENTO	SPACER WASHER
8	102901	8	ROSETTA	WASHER	28	137824	2	SUPPORTO	SUPPORT
9	164925	1	COPERCHIO DX.	R.H. COVER	29	137826	2	DADO	NUT
-	164926	1	COPERCHIO SX.	L.H. COVER	30	156977	2	MOLLA	SPRING
10	170177	1	SUPPORTO DX.	R.H. SUPPORT	-	168433	2	MOLLA	SPRING
-	170178	1	SUPPORTO SX.	L.H. SUPPORT	-	-	-	-Si vendono in coppia-	-Sold in pair-
11	102741	4	DADO	NUT	31	127991	2	PIATTELLO	SPACER
12	143405	2	LINGUETTA	KEY	32	152655	2	ROSETTA	WASHER
13	149951	2	ROSETTA	WASHER	33	152842	2	ROSETTA	WASHER
14	10977524	2	VITE	SCREW	34	165686	2	DISCO FRENO ANTERIORE	FRONT BRAKE DISC
15	153495	4	ROSETTA DI RASAMENTO mm.3,00	SPACER WASHER mm.3.00	35	16043424	2	VITE FISS. DISCO FRENO	BRAKE DISC FIXING SCREW
-	153496	-	ROSETTA DI RASAMENTO mm.2,90 -In alternativa al 153495-	SPACER WASHER mm.2.90 -As an alternative of 153495-	36	127496	4	ROSETTA	WASHER
-	153497	-	ROSETTA DI RASAMENTO mm.3,10 -In alternativa al 153495-	SPACER WASHER mm.3.10 -As an alternative of 153495-	37	158732	2	ATTUATORE SULL'AMMORTIZZATORE	ACTUATOR ON THE SHOCK ABSORBER
16	176564	2	AMMORTIZZATORE ANTERIORE -Si vendono in coppia-	FRONT SHOCK ABSORBER -Sold in pair-	38	160461	2	ROSETTA	WASHER
17	152329	2	TAMPONE	PAD	39	12642524	4	ROSETTA	WASHER
					40	10441190	2	FASCETTA	CLAMP
					41	102742	4	DADO	NUT
					42	144867	2	PIATTELLO	SPACER
					43	141860	2	GHIERA	RING NUT
					44	104370	2	VITE FISS. DISCO FRENO E CENTRAGGIO RUOTA	BRAKE DISC FIXING AND CENTERING SCREW
					45	142079	2	MOLLETTA	CLIP



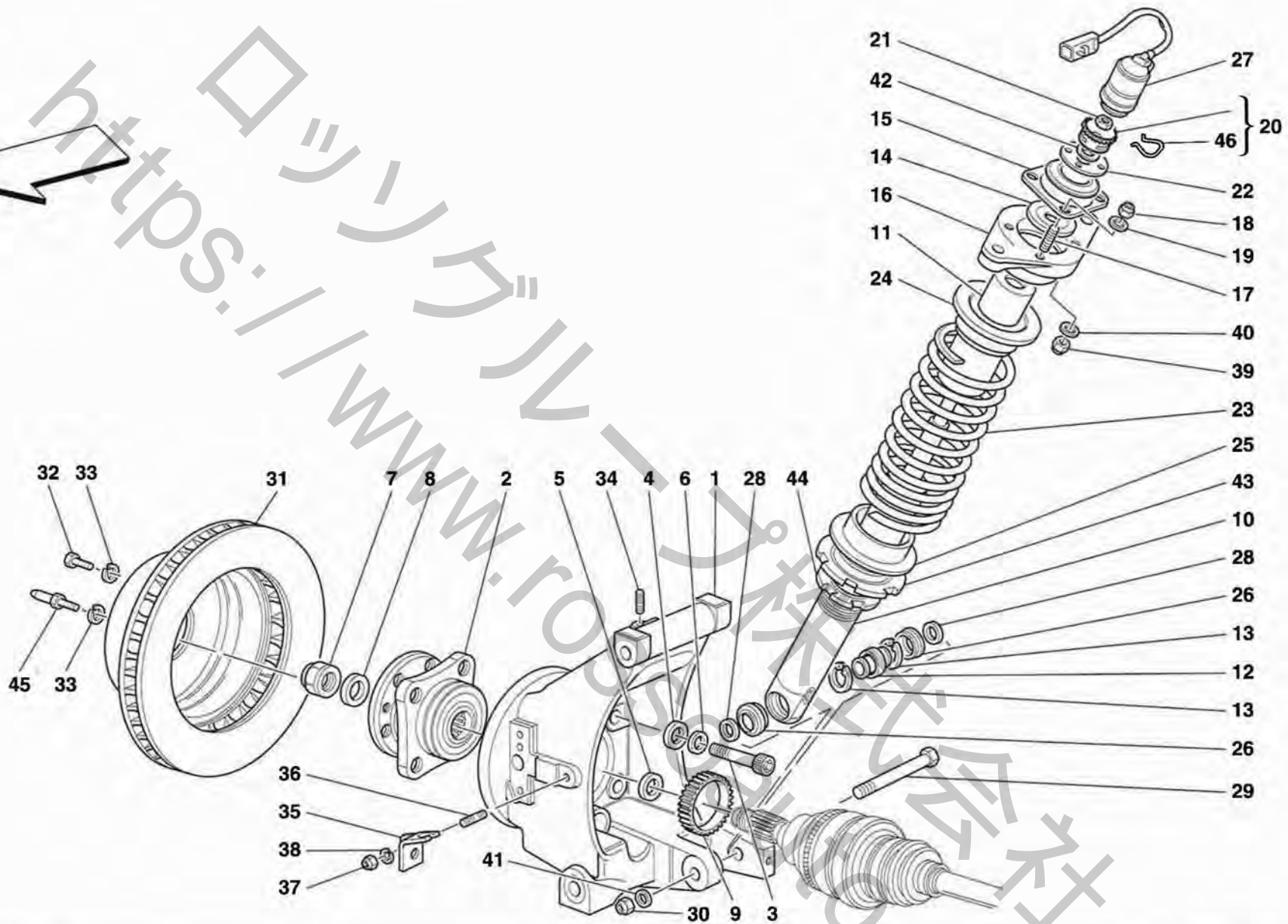
**456MGT/GTA**

**SOSPENSIONE ANTERIORE - LEVE E BARRA STABILIZZATRICE**  
**FRONT SUSPENSION - WISHBONES AND STABILIZER BAR**

**TAV. 58**

DATA: OTTOBRE '98

Rif	Dis.N° Part.N°	Q.ty	Denominazione	Description	Rif	Dis.N° Part.N°	Q.ty	Denominazione	Description
1	132776	2	GIUNTO SFERICO SUPERIORE	UPPER BALL JOINT	17	148772	4	PROTEZIONE	PROTECTION
2	168388	1	LEVA INFERIORE DX.	R.H. LOWER LEVER	18	148773	4	DISTANZIALE	SPACER
-	168727	1	LEVA INFERIORE SX.	L.H. LOWER LEVER	19	15540921	2	VITE	SCREW
3	169326	4	FLANBLOC PER FORCELLA INFERIORE	FLANBLOC FOR LOWER FORK	20	102825	2	DADO	NUT
4	154396	2	GIUNTO SFERICO INFERIORE	LOWER BALL JOINT	21	157812	2	PROTEZIONE GIUNTO SFERICO	BALL JOINT PROTECTION
5	149807	4	DADO	NUT	22	175800	1	LEVA SUPERIORE DX.	R.H. UPPER LEVER
6	155002	4	ROSETTA	WASHER	-	175801	1	LEVA SUPERIORE SX.	L.H. UPPER LEVER
7	15971734	2	VITE	SCREW	23	163038	4	FLANBLOC PER FORCELLA SUPERIORE	FLANBLOC FOR UPPER FORK
8	104114	2	DADO	NUT	24	16043624	4	VITE	SCREW
9	153504	2	VITE	SCREW	25	104030	4	DADO	NUT
10	102825	2	DADO	NUT	26	106419	4	VITE	SCREW
11	101022	-	PIASTRINA REGISTRAZIONE INCIDENZA	SETTING PLATE	27	102825	4	DADO	NUT
12	164484	-	PIASTRINA REGISTRAZIONE INCIDENZA -mm.1- -Di eventuale montaggio-	SETTING PLATE -mm.1- -Possible fitting-	28	150789	4	VITE SPECIALE	SPECIAL SCREW
-	115073	-	PIASTRINA REGISTRAZIONE INCIDENZA -mm.1,20- -Di eventuale montaggio-	SETTING PLATE -mm.1.20- -Possible fitting-	29	175077	4	ROSETTA SPECIALE	SPECIAL WASHER
-	101022	-	PIASTRINA REGISTRAZIONE INCIDENZA -mm.1,50- -Di eventuale montaggio-	SETTING PLATE -mm.1.50- -Possible fitting-	30	150238	4	DADO	NUT
-	164485	-	PIASTRINA REGISTRAZIONE INCIDENZA -mm.2- -Di eventuale montaggio-	SETTING PLATE -mm.2- -Possible fitting-	31	174559	1	BARRA STABILIZZATRICE ANTERIORE -Ø26-	FRONT ANTI-ROLL BAR -Ø26-
13	152868	1	TIRANTE COMPLETO DX.	R.H. COMPLETE TIE ROD	32	155624	2	TAMPONE PER BARRA -Ø26-	BAR BUFFER -Ø26-
-	152869	1	TIRANTE COMPLETO SX.	L.H. COMPLETE TIE ROD	33	133802	2	PIASTRINA	PLATE
14	152871	2	SNODO SFERICO FEMMINA	FEMALE BALL JOINT	34	16045124	4	VITE	SCREW
15	152870	2	SNODO SFERICO MASCHIO	MALE BALL JOINT	35	14496524	4	ROSETTA	WASHER
16	10717311	2	DADO	NUT	36	158048	2	DISTANZIALE PER BARRA	SPACER FOR BAR
					37	104030	4	DADO	NUT
					38	14496524	4	ROSETTA	WASHER
					39	102825	2	DADO	NUT
					40	152249	2	ROSETTA	WASHER
					41	148773	4	BOCCOLA DISTANZIALE	SPACER BUSHING
					42	149063	2	ROSETTA	WASHER
					43	169862	1	DEFLETTORE ARIA SX.	L.H. AIR DEFLECTOR
					-	169861	1	DEFLETTORE ARIA DX.	R.H. AIR DEFLECTOR
					44	14662495	4	VITE	SCREW
					45	12646601	4	ROSETTA	WASHER
					46	102741	4	DADO	NUT



**456MGT/GTA**

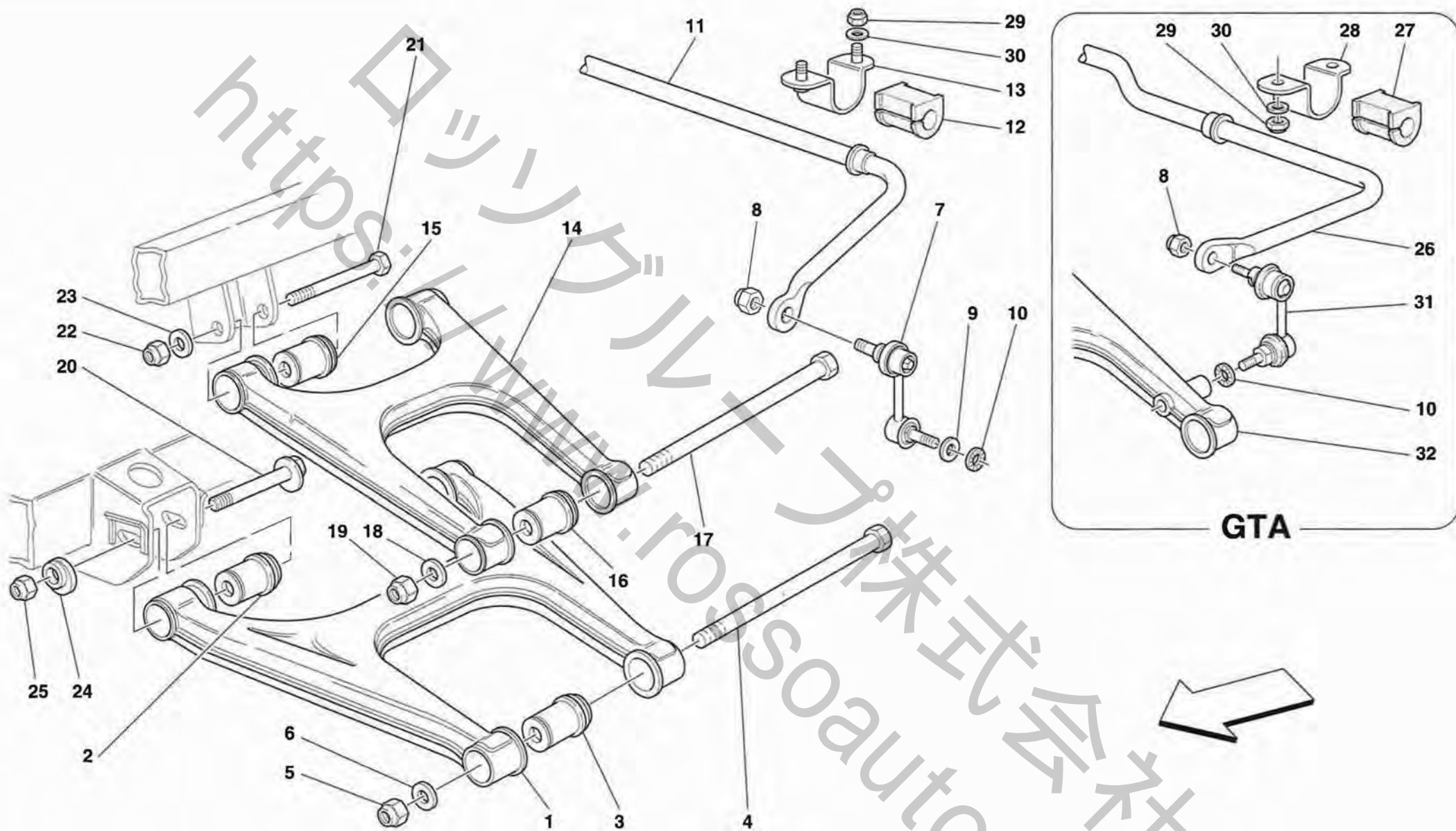
**SOSPENSIONE POSTERIORE - AMMORTIZZATORE E DISCO FRENO**  
**REAR SUSPENSION - SHOCK ABSORBER AND BRAKE DISC**

**TAV. 59**

DATA: OTTOBRE '98



Rif	Dis.N° Part.N°	Q.ty	Denominazione	Description	Rif	Dis.N° Part.N°	Q.ty	Denominazione	Description
-	178888	1	PORTAMOZZO POSTERIORE DX. COMPLETO	COMPLETE R.H. REAR HUB HOLDER	24	156978	2	DISTANZIALE SUPERIORE	UPPER SPACER
1	178370	1	PORTAMOZZO POSTERIORE DX. -Non a ricambio- -Con il portamozzo Dx. completo-	R.H. REAR HUB HOLDER -Not as spare part- -With complete R.H. hub older-	25	113581	2	DISTANZIALE INFERIORE	LOWER SPACER
-	178889	1	PORTAMOZZO POSTERIORE SX. COMPLETO	COMPLETE L.H. REAR HUB HOLDER	26	153286	4	GOMMINO	RUBBER
1	178371	1	PORTAMOZZO POSTERIORE SX. -Non a ricambio- -Con il portamozzo Sx. completo-	L.H. REAR HUB HOLDER -Not as spare part- -With complete L.H. hub holder-	27	158732	2	ATTUATORE SULL'AMMORTIZZATORE	ACTUATOR ON THE SHOCK ABSORBER
2	157901	2	CUSCINETTO COMPL. DI MOZZO	HUB COMPLETE BEARING	28	153495	4	ROSETTA DI RASAMENTO mm.3,00	SPACER WASHER mm.3.00
3	14331974	8	VITE	SCREW	-	153496	-	ROSETTA DI RASAMENTO mm.2,90	SPACER WASHER mm.2.90
4	10732531	6	ROSETTA	WASHER	-	153497	-	ROSETTA DI RASAMENTO mm.3,10	SPACER WASHER mm.3.10
5	153355	2	ROSETTA	WASHER	-	-	-	-In alternativa al 153495-	-As an alternative of 153495-
6	152250	8	ROSETTA	WASHER	29	159309	2	VITE	SCREW
7	167259	2	DADO	NUT	30	102825	2	DADO	NUT
8	143332	2	ROSETTA	WASHER	31	144061	2	DISCO FRENO POSTERIORE	REAR BRAKE DISC
9	165101	2	RUOTA FONICA POSTERIORE	REAR TOOTHED WHEEL	32	16043424	2	VITE	SCREW
10	177563	2	AMMORTIZZATORE POSTERIORE -Si vendono in coppia-	REAR SHOCK ABSORBER -Sold in pair-	33	127496	4	ROSETTA	WASHER
11	155278	2	TAMPONE PER AMMORTIZZATORE	SHOCK ABSORBER PAD	34	11500124	2	PRIGIONIERO	STUD
12	153285	2	SNODO SFERICO	BALL JOINT	35	168383	2	SUPPORTO DX.	R.H. SUPPORT
13	145478	4	ANELLO SEEGER	SEEGER RING	-	168384	2	SUPPORTO SX.	L.H. SUPPORT
14	152654	2	ROSETTA	WASHER	36	11500124	2	PRIGIONIERO	STUD
15	114812	2	HYPERBLOCK	HYPERBLOCK	37	102741	2	DADO	NUT
16	144712	2	SCODELLINO	CUP	38	10519424	2	ROSETTA	WASHER
17	13543324	8	PRIGIONIERO	STUD	39	104114	4	DADO	NUT
18	104030	8	DADO	NUT	40	12601474	4	ROSETTA	WASHER
19	10519624	8	ROSETTA	WASHER	41	12601574	2	ROSETTA	WASHER
20	137824	2	SUPPORTO	SUPPORT	42	160461	2	ROSETTA	WASHER
21	137826	2	DADO	NUT	43	155086	2	PIATTELLO	SPACER
22	152653	2	ROSETTA	WASHER	44	141860	2	GHIERA	RING NUT
23	156945	2	MOLLA -Si vendono in coppia-	SPRING -Sold in pair-	45	104370	2	VITE FISS. DISCO FRENO E CENTRAGGIO RUOTA	BRAKE DISC FIXING AND CENTERING SCREW
-	168399	2	MOLLA -Si vendono in coppia- -In alternativa-	SPRING -Sold in pair- -As an alternatives-	46	142079	2	MOLLETTA	CLIP



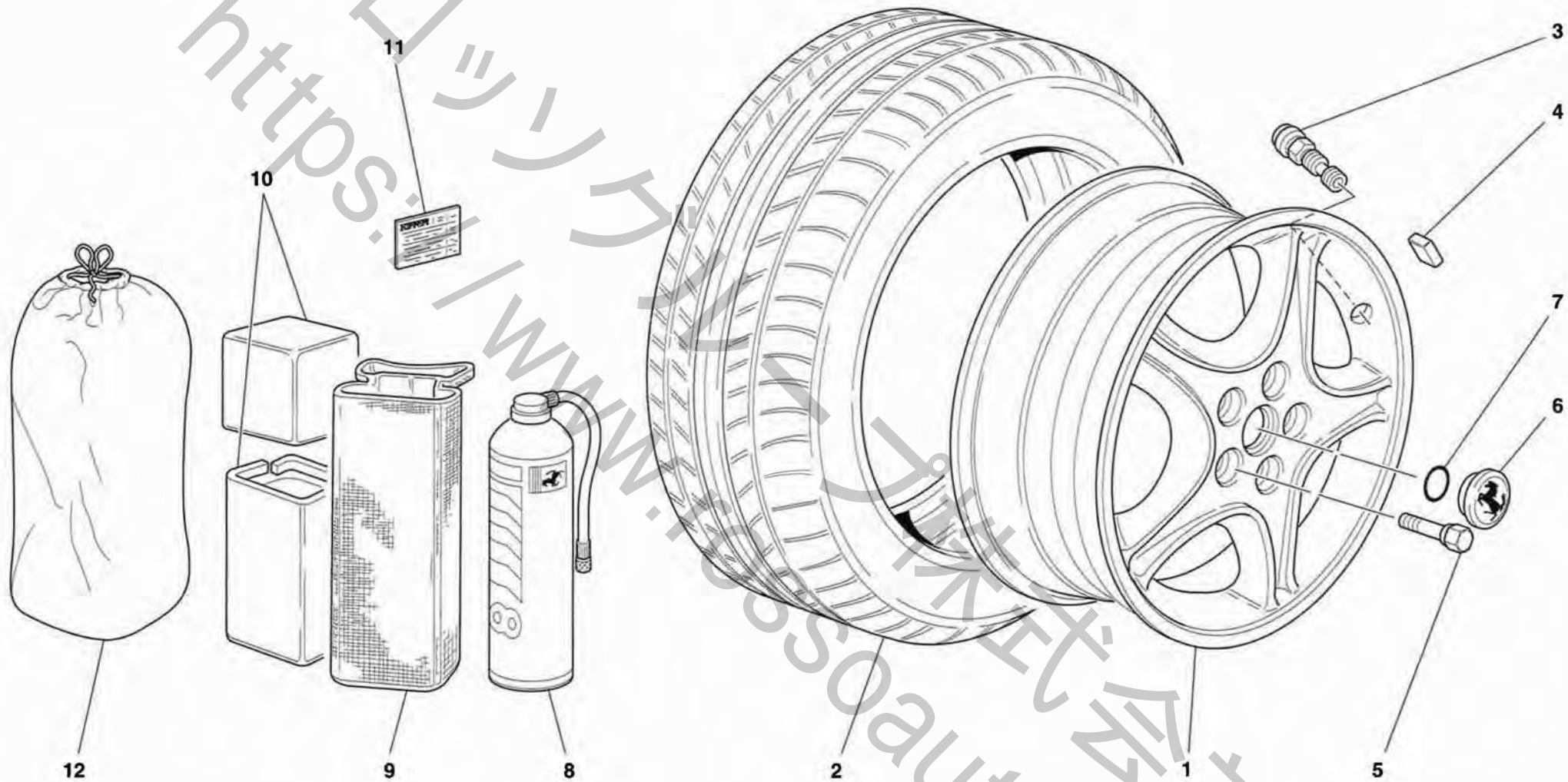
**456MGT/GTA**

**SOSPENSIONE POSTERIORE - LEVE E BARRA STABILIZZATRICE**  
**REAR SUSPENSION - WISHBONES AND STABILIZER BAR**

**TAV. 60**

**DATA: OTTOBRE '98**

Rif	Dis.N° Part.N°	Q.ty	Denominazione	Description	Rif	Dis.N° Part.N°	Q.ty	Denominazione	Description
1	169796	2	LEVA INFERIORE	LOWER LEVER	17	144747	2	VITE	SCREW
2	169573	4	FLANBLOC INTERNO PER FORCELLA INFERIORE	INNER FLANBLOC FOR LOWER FORK	18	12601574	2	ROSETTA	WASHER
3	169574	4	FLANBLOC ESTERNO PER FORCELLA INFERIORE	OUTER FLANBLOC FOR LOWER FORK	19	102825	2	DADO	NUT
4	168445	2	VITE	SCREW	20	150789	4	VITE SPECIALE	SPECIAL SCREW
5	150238	2	DADO	NUT	21	106422	4	VITE	SCREW
6	105434	2	ROSETTA	WASHER	22	150238	4	DADO	NUT
7	171812	2	TIRANTE	TIE ROD	23	12601674	4	ROSETTA	WASHER
			-No per 456M GTA-	-Not for 456M GTA-	24	175077	4	ROSETTA SPECIALE	SPECIAL WASHER
8	102742	2	DADO	NUT	25	150238	4	DADO	NUT
9	102901	2	ROSETTA	WASHER	26	162434	1	BARRA STABILIZZATRICE POSTERIORE -Ø19-	REAR ANTI-ROLL BAR -Ø19-
10	160092	2	ROSETTA	WASHER				-Vale per 456M GTA-	-Valid for 456M GTA-
11	169121	1	BARRA STABILIZZATRICE POSTERIORE -Ø18-	REAR ANTI-ROLL BAR -Ø18-	27	163716	2	TAMPONE PER BARRA -Ø19-	BAR BUFFER -Ø19-
			-No per 456M GTA-	-Not for 456M GTA-				-Vale per 456M GTA-	-Valid for 456M GTA-
12	153147	2	TAMPONE PER BARRA -Ø18-	BAR BUFFER -Ø18-	28	167899	2	PIASTRINA	PLATE
			-No per 456M GTA-	-Not for 456M GTA-				-Vale per 456M GTA-	-Valid for 456M GTA-
13	153148	2	PIASTRINA	PLATE	29	14048211	4	DADO	NUT
			-No per 456M GTA-	-Not for 456M GTA-	30	12638524	4	ROSETTA	WASHER
14	169797	2	LEVA SUPERIORE	UPPER LEVER	31	162619	1	TIRANTE SFERICO SX.	L.H. BALL TIE ROD
			-No per 456M GTA-	-Not for 456M GTA-				-Vale per 456M GTA-	-Valid for 456M GTA-
15	169574	4	FLANBLOC INTERNO PER FORCELLA SUPERIORE	INNER FLANBLOC FOR UPPER FORK		162620	1	TIRANTE SFERICO DX.	R.H. BALL TIE ROD
			-No per 456M GTA-	-Not for 456M GTA-				-Vale per 456M GTA-	-Valid for 456M GTA-
16	163038	4	FLANBLOC ESTERNO PER FORCELLA SUPERIORE	OUTER FLANBLOC FOR UPPER FORK	32	175505	2	LEVA SUPERIORE	UPPER LEVER
			-No per 456M GTA-	-Not for 456M GTA-				-Vale per 456M GTA-	-Valid for 456M GTA-



456MGT/GTA

RUOTE  
WHEELS

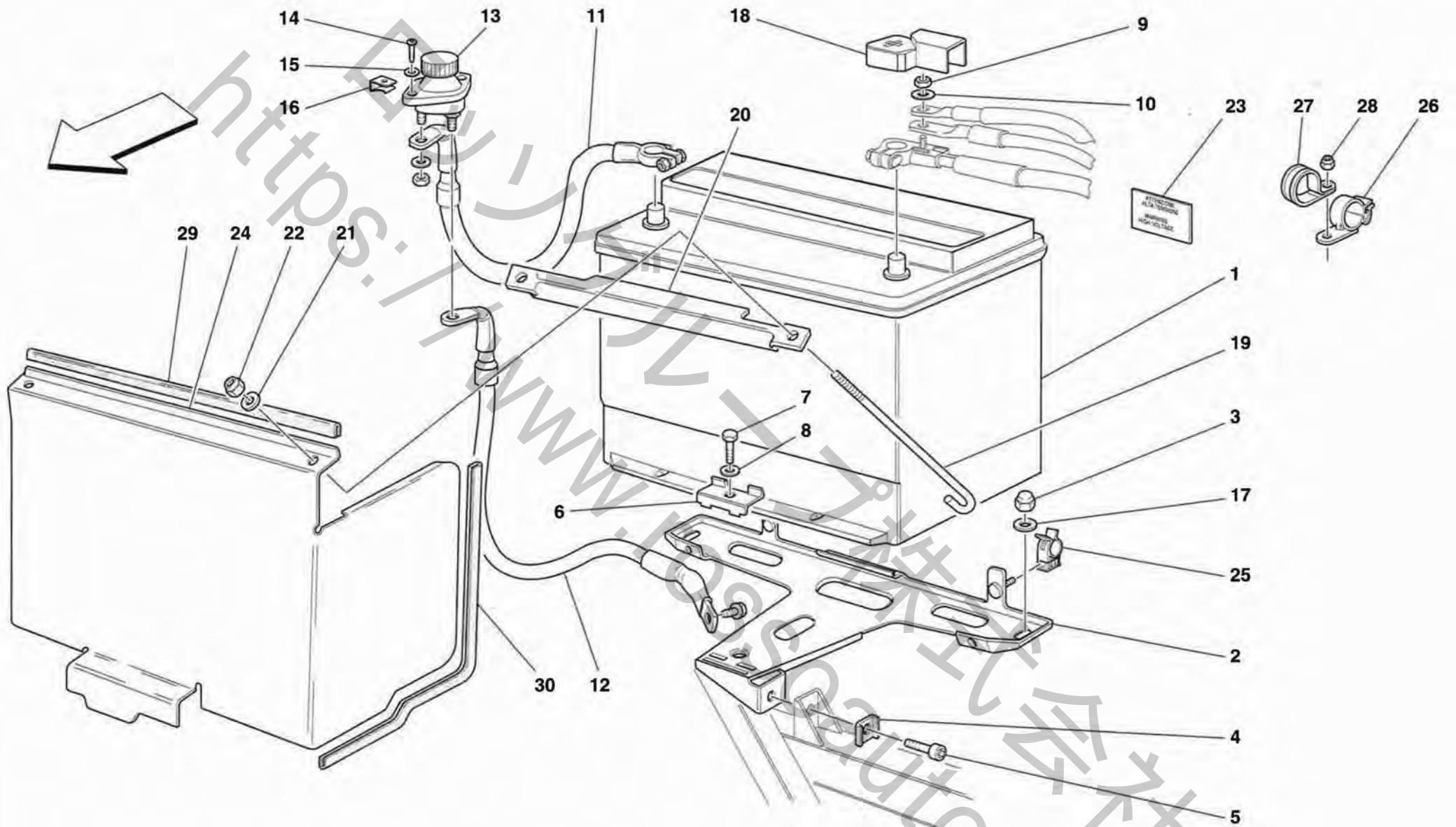
TAV. 61

DATA: OTTOBRE '98



Rif	Dis.N° Part.N°	Q.ty	Denominazione	Description
1	151639	2	CERCHIO RUOTA ANTERIORE 8"1/2 J X 17"	FRONT WHEEL RIM 8"1/2 J X 17"
-	151640	2	CERCHIO RUOTA POSTERIORE 10" J X 17"	REAR WHEEL RIM 10" J X 17"
2	172662	2	PNEUMATICO ANTERIORE BRIDGESTONE 255/45 ZR 17	FRONT TYRE BRIDGESTONE 255/45 ZR 17
-	172664	2	PNEUMATICO ANTERIORE PIRELLI 255/45 ZR 17	FRONT TYRE PIRELLI 255/45 ZR 17
-	177069	2	PNEUMATICO ANTERIORE MICHELIN 255/45 ZR 17	FRONT TYRE MICHELIN 255/45 ZR 17
-	172663	2	PNEUMATICO POSTERIORE BRIDGESTONE 285/40 ZR 17	REAR TYRE BRIDGESTONE 285/40 ZR 17
-	172665	2	PNEUMATICO POSTERIORE PIRELLI 285/40 ZR 17	REAR TYRE PIRELLI 285/40 ZR 17
-	177070	2	PNEUMATICO POSTERIORE MICHELIN 285/40 ZR 17	REAR TYRE MICHELIN 285/40 ZR 17
3	174166	4	VALVOLA	VALVE
4	155302	-	CONTRAPPESO -60Gr.-	COUNTER-WEIGHT -60Gr.-
-	162677	-	CONTRAPPESO -90Gr.- -In alternativa-	COUNTER-WEIGHT -90Gr.- -As an alternative-
5	139893	10	COLONNETTA RUOTE ANTERIORI	FRONT WHEEL STUD
-	155041	10	COLONNETTA RUOTE POSTERIORI	REAR WHEEL STUD
6	174226	4	COPPETTA	SMALL SUMP
7	120065	4	GUARNIZIONE	GASKET
8	171576	1	BOMBOLETTA RIPARA GOMMA "SHELL"	CYLINDER FOR TYRE REPAIR "SHELL"
9	171577	1	CUSTODIA PER BOMBOLETTA	PORTFOLIO FOR CYLINDER
10	166537	1	POLISTIROLO PER BOMBOLETTA	PLYSTYRENE FOAM CASE
11	157339	1	TARGHETTA PRESSIONE PNEUMATICI -BRIDGESTONE- -No per USA, CDN e AUS-	TYRE PRESSURE PLATE -BRIDGESTONE- -Not for USA, CDN and AUS-

Rif	Dis.N° Part.N°	Q.ty	Denominazione	Description
-	160882	1	TARGHETTA PRESSIONE PNEUMATICI -PIRELLI- -No per USA, CDN e AUS-	TYRE PRESSURE PLATE -PIRELLI- -Not for USA, CDN and AUS-
-	177062	1	TARGHETTA PRESSIONE PNEUMATICI -MICHELIN- -No per USA, CDN e AUS-	TYRE PRESSURE PLATE -MICHELIN- -Not for USA, CDN and AUS-
-	160696	1	TARGHETTA PRESSIONE PNEUMATICI -BRIDGESTONE- -Vale per USA e CDN- -Vale per 456M GTA AUS-	TYRE PRESSURE PLATE -BRIDGESTONE- -Valid for USA and CDN- -Valid for 456M GTA AUS-
-	160697	1	TARGHETTA PRESSIONE PNEUMATICI -PIRELLI- -Vale per USA e CDN- -Vale per 456M GTA AUS-	TYRE PRESSURE PLATE -PIRELLI- -Valid for USA and CDN- -Valid for 456M GTA AUS-
-	177071	1	TARGHETTA PRESSIONE PNEUMATICI -MICHELIN- -Vale per USA e CDN-	TYRE PRESSURE PLATE -MICHELIN- -Valid for USA and CDN-
-	163047	1	TARGHETTA PRESSIONE PNEUMATICI -BRIDGESTONE- -Vale per 456M GT AUS-	TYRE PRESSURE PLATE -BRIDGESTONE- -Valid for 456M GT AUS-
-	160572	1	TARGHETTA PRESSIONE PNEUMATICI -PIRELLI- -Vale per 456M GT AUS-	TYRE PRESSURE PLATE -PIRELLI- -Valid for 456M GT AUS-
-	177942	1	TARGHETTA PRESSIONE PNEUMATICI -MICHELIN- -Vale per 456M GT AUS-	TYRE PRESSURE PLATE -MICHELIN- -Valid for 456M GT AUS-
12	173688	1	SACCHETTO IN PANNO	BAG



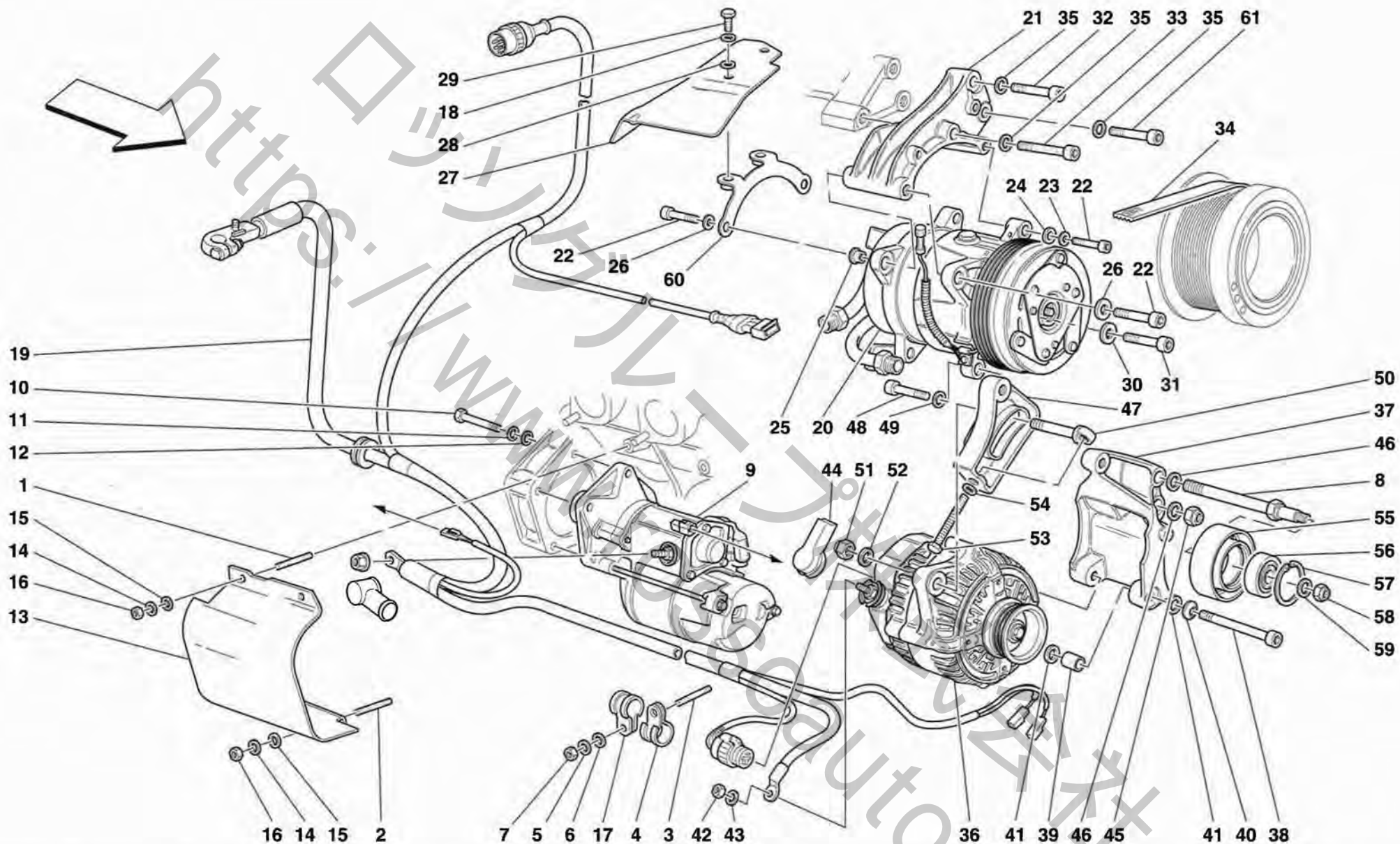
**456MGT/GTA**

**BATTERIA**  
**BATTERY**

**TAV. 62**

DATA: OTTOBRE '98

Rif	Dis.N° Part.N°	Q.ty	Denominazione	Description	Rif	Dis.N° Part.N°	Q.ty	Denominazione	Description
1	174802	1	BATTERIA 12V-80AH 450A -No per GD-	BATTERY 12V-80AH 450A -Not for GD-	14	15688275	2	VITE	SCREW
-	175803	1	BATTERIA 12V-80AH 450A -Vale per GD-	BATTERY 12V-80AH 450A -Valid for GD-	15	12637878	2	ROSETTA	WASHER
2	178388	1	PIASTRA SUPPORTO BATTERIA -No per GD-	PLATE FOR BATTERY SUPPORT -Not for GD-	16	61067800	2	STAFFETTA	BRACKET
-	178864	1	PIASTRA SUPPORTO BATTERIA -Vale per GD-	PLATE FOR BATTERY SUPPORT -Valid for GD-	17	12646724	2	ROSETTA	WASHER
3	150595	2	DADO CIECO	CAP NUT	18	144727	1	CAPPUCCIO PROTEZIONE	PROTECTION BOOT
4	155599	1	STAFFA	BRACKET	19	171904	2	TIRANTE	TIE ROD
5	14306224	1	VITE	SCREW	20	171903	1	ANGOLARE	ANGLE PIECE
6	154324	1	STAFFA MOBILE	MOBILE BRACKET	21	14496424	2	ROSETTA	WASHER
7	16043724	1	VITE	SCREW	22	102948	2	DADO	NUT
8	14499421	1	ROSETTA	WASHER	23	113404	1	TARGHETTA "PERICOLO ALTA TENSIONE"	"WARNING HIGH VOLTAGE" PLATE
9	147985	1	DADO	NUT	24	178884	1	PROTEZIONE CALORE BATTERIA -No per GD-	BATTERY HEAT SHIELD -Not for GD-
10	12638524	1	ROSETTA	WASHER	-	178885	1	PROTEZIONE CALORE BATTERIA -Vale per GD-	BATTERY HEAT SHIELD -Valid for GD-
11	153117	1	TRECCIA DA BATTERIA A STACCABATTERIA	COPPER PLAIT FROM BATTERY TO SWITCH	25	175710	2	MOLLETTA	CLIP
12	153128	1	TRECCIA DA STACCABATTERIA A MASSA	COPPER PLAIT FROM SWITCH TO EARTH	26	160888	1	MOLLETTA	CLIP
13	139607	1	INTERRUTTORE STACCA BATTERIA	CUT-OUT SWITCH	27	10442090	1	STAFFETTA CON GUAINA	BRACKET WITH SHEAT
					28	102948	1	DADO	NUT
					29	179906	1	GUARNIZIONE	GASKET
					30	179907	1	GUARNIZIONE	GASKET



**456MGT/GTA**

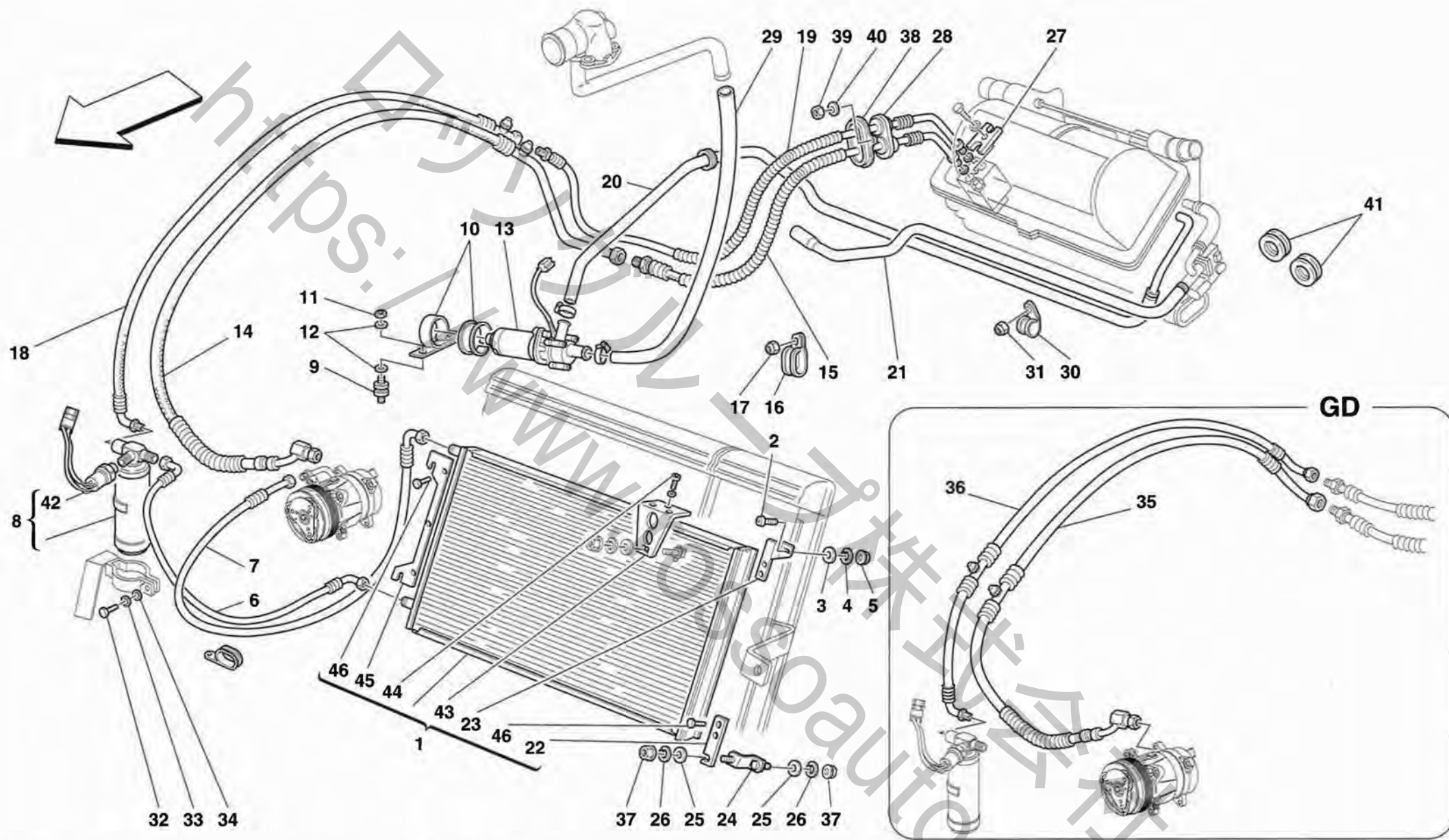
**ALTERNATORE - MOTORINO AVVIAMENTO - COMPRESSORE ARIA CONDIZIONATA**  
**ALTERNATOR - STARTING MOTOR - AIR CONDITIONING COMPRESSOR**

**TAV. 63**

DATA: OTTOBRE '98



Rif	Dis.N° Part.N°	Q.ty	Denominazione	Description	Rif	Dis.N° Part.N°	Q.ty	Denominazione	Description
1	11500124	2	PRIGIONIERO	STUD	30	11190574	1	ROSETTA	WASHER
2	13540824	1	PRIGIONIERO	STUD	31	14307624	1	VITE	SCREW
3	13540824	2	PRIGIONIERO	STUD	32	14307924	1	VITE	SCREW
4	10441490	2	STAFFETTA CON GUAINA	BRACKET WITH SHEATH	33	101632	1	VITE	SCREW
5	12639724	2	ROSETTA	WASHER	34	156708	1	CINGHIA PER ALTERNATORE	BELT FOR ALTERNATOR AND
6	127494	2	ROSETTA	WASHER				E COMPRESSORE	COMPRESSOR
7	15896214	2	DADO	NUT				<b>-No per 456M GTA-</b>	<b>-Not for 456M GTA-</b>
8	153390	1	PERNO	PIN	-	167884	1	CINGHIA PER ALTERNATORE	BELT FOR ALTERNATOR AND
9	164397	1	MOTORINO AVVIAMENTO	STARTER MOTOR				E COMPRESSORE	COMPRESSOR
10	16044921	2	VITE	SCREW				<b>-Vale per 456M GTA-</b>	<b>-Valid for 456M GTA-</b>
-	16044821	1	VITE	SCREW	35	11190574	3	ROSETTA	WASHER
11	10519624	3	ROSETTA	WASHER	36	156858	1	ALTERNATORE	ALTERNATOR
12	11193874	3	ROSETTA	WASHER	37	164534	1	SUPPORTO ALTERNATORE	ALTERNATOR SUPPORT
13	176333	1	PARATIA PROTEZIONE MOTORINO AVVIAMENTO	SHIELD FOR STARTER MOTOR PROTECTION	38	137920	1	VITE	SCREW
14	12644424	3	ROSETTA	WASHER	39	123172	1	BOCCOLA	BUSHING
15	127494	3	ROSETTA	WASHER	40	11190574	1	ROSETTA	WASHER
16	15896214	3	DADO	NUT	41	13550401	2	ROSETTA	WASHER
17	10441990	1	STAFFETTA CON GUAINA	BRACKET WITH SHEATH	42	16102314	1	DADO	NUT
18	127494	2	ROSETTA	WASHER	43	12601374	1	ROSETTA	WASHER
19	176203	1	CAVI COLLEGAMENTO SERVIZI MOTORE	CABLES FOR MOTOR DEVICES CONNECTION	44	154803	1	CAPPUCCIO PROTEZIONE	PROTECTION BOOT
-	177182	1	CAVI COLLEGAMENTO SERVIZI MOTORE	CABLES FOR MOTOR DEVICES CONNECTION	45	102825	1	DADO	NUT
			<b>-No per GD-</b>	<b>-Not for GD-</b>	46	13507411	2	ROSETTA	WASHER
			<b>-Vale per GD-</b>	<b>-Valid for GD-</b>	47	164533	1	STAFFA TENDICINGHIA	BELT TIGHTENING BRACKET
20	170594	1	COMPRESSORE ARIA CONDIZIONATA	AIR CONDITIONER COMPRESSOR	48	14307524	1	VITE	SCREW
21	170595	1	SUPPORTO	SUPPORT	49	11190574	1	ROSETTA	WASHER
22	14307624	4	VITE	SCREW	50	148629	1	PERNO	PIN
23	106352	1	ROSETTA	WASHER	51	102742	1	DADO	NUT
24	10569474	1	ROSETTA	WASHER	52	13550401	1	ROSETTA	WASHER
25	164538	2	BOCCOLA	BUSHING	53	125668	1	VITE	SCREW
26	11190574	3	ROSETTA	WASHER	54	14496524	1	ROSETTA	WASHER
27	176334	1	PARATIA PROTEZIONE COMPRESSORE	SHIELD FOR COMPRESSOR PROTECTION	55	148632	1	PULEGGIA TENDICINGHIA	PULLEY
28	12644424	2	ROSETTA	WASHER	56	123350	1	CUSCINETTO	BEARING
29	10902124	2	VITE	SCREW	57	11060076	1	ANELLO SEEGER	SEEGER RING
					58	102825	1	DADO	NUT
					59	10730721	1	RONDELLA	WASHER
					60	165490	1	STAFFA	BRACKET
					61	14307724	1	VITE	SCREW



**456MGT/GTA**

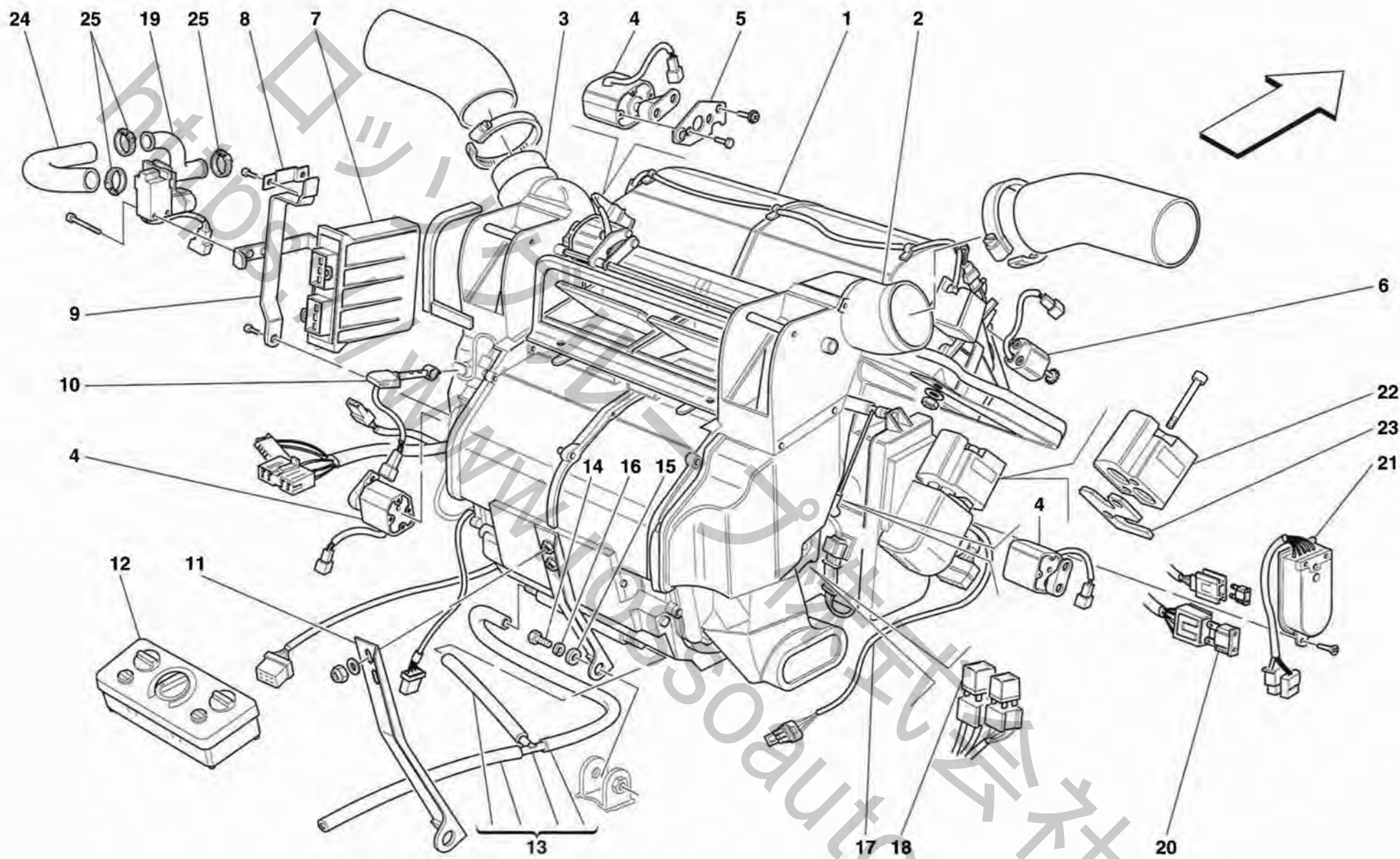
**IMPIANTO CONDIZIONAMENTO ARIA**  
**AIR CONDITIONING SYSTEM**

**TAV. 64**

DATA: OTTOBRE '98

Rif	Dis.N° Part.N°	Q.ty	Denominazione	Description	Rif	Dis.N° Part.N°	Q.ty	Denominazione	Description
1	165563	1	CONDENSATORE PER AC	AC CONDENSER	-	65618300	1	TUBO RITORNO DA VALVOLA	RETURN TUBE FROM VALVE
2	14778814	1	VITE	SCREW				A NOURICE	TO NOURICE
3	14496424	2	ROSETTA	WASHER				-Vale per GD-	-Valid for GD-
4	127494	2	ROSETTA	WASHER	22	168068	1	STAFFA	BRACKET
5	15896214	2	DADO	NUT	23	165561	1	STAFFA	BRACKET
6	64827500	1	TUBO DA CONDENSATORE A FILTRO DISIDRATATORE	PIPE FROM CONDENSER TO DEHYDRATOR FILTER	24	156989	1	PIASTRINO	SMALL PLATE
7	64827400	1	TUBO DAL COMPRESSORE AL CONDENSATORE	PIPE FROM COMPRESSOR TO CONDENSER	25	12646601	2	ROSETTA	WASHER
8	64799500	1	FILTRO DISIDRATATORE CON PRESSOSTATO	DEHYDRATOR FILTER WITH PRESSURE SWITCH	26	127494	2	ROSETTA	WASHER
9	142202	2	SUPPORTO ANTIVIBRANTE	ANTI-VIBRATION SUPPORT	27	64281500	1	FLANGIA	FLANGE
10	63994900	1	STAFFA COMPLETA	COMPLETE BRACKET	28	63961800	1	GUARNIZIONE IN GOMMA	RUBBER GASKET
11	102741	2	DADO	NUT	29	65419500	1	TUBO MANDATA DA MOTORE A POMPA	DELIVERY TUBE FROM ENGINE TO PUMP
12	14496424	2	ROSETTA	WASHER	30	61712600	1	FASCETTA	CLAMP
13	65460300	1	POMPA ACQUA COMPLETA	COMPLETE WATER PUMP	31	12574211	1	DADO	NUT
14	65419600	1	TUBO DA TUBO FLESSIBILE A COMPRESSORE	PIPE FROM HOSE TO COMPRESSOR	32	10902324	1	VITE	SCREW
			-No per GD-	-Not for GD-	33	127494	1	ROSETTA	WASHER
15	64791200	1	TUBO DA EVAPORATORE A TUBO RIGIDO	HOSE FROM EVAPORATOR TO PIPE	34	12643701	1	ROSETTA	WASHER
16	61712500	1	STAFFETTA CON GUAINA	BRACKET WITH SHEATH	35	65618200	1	TUBO DA TUBO FLESSIBILE A COMPRESSORE	PIPE FROM HOSE TO COMPRESSOR
17	102741	1	DADO	NUT				-Vale per GD-	-Valid for GD-
18	64827600	1	TUBO DA FILTRO DISIDRATATORE A TUBO	PIPE FROM DEHYDRATOR FILTER TO HOSE	36	65655400	1	TUBO DA FILTRO DISIDRATATORE A TUBO	PIPE FROM DEHYDRATOR FILTER TO HOSE
			-No per GD-	-Not for GD-				-Vale per GD-	-Valid for GD-
19	64791300	1	TUBO DA TUBO RIGIDO AD EVAPORATORE	HOSE FROM PIPE TO EVAPORATOR	37	15896214	2	DADO	NUT
20	65674900	1	TUBO MANDATA DA POMPA ACQUA	DELIVERY TUBE FROM P WATER PUMP	38	63961900	1	CORNICE PER PASSATUBI	FRAME FOR PIPE BUSHING
21	65674500	1	TUBO RITORNO DA VALVOLA A NOURICE	RETURN TUBE FROM VALVE TO NOURICE	39	169180	2	DADO	NUT
			-No per GD-	-Not for GD-	40	12638124	2	ROSETTA	WASHER
					41	10396980	2	ANELLO PASSAFILO	CABLE GROMMET
					42	64799700	1	PRESSOSTATO	PRESSOSTAT
					43	165562	1	STAFFA	BRACKET
					44	165136	3	VITE	SCREW
					45	165560	1	STAFFA	BRACKET
					46	165137	7	VITE	SCREW





**456MGT/GTA**

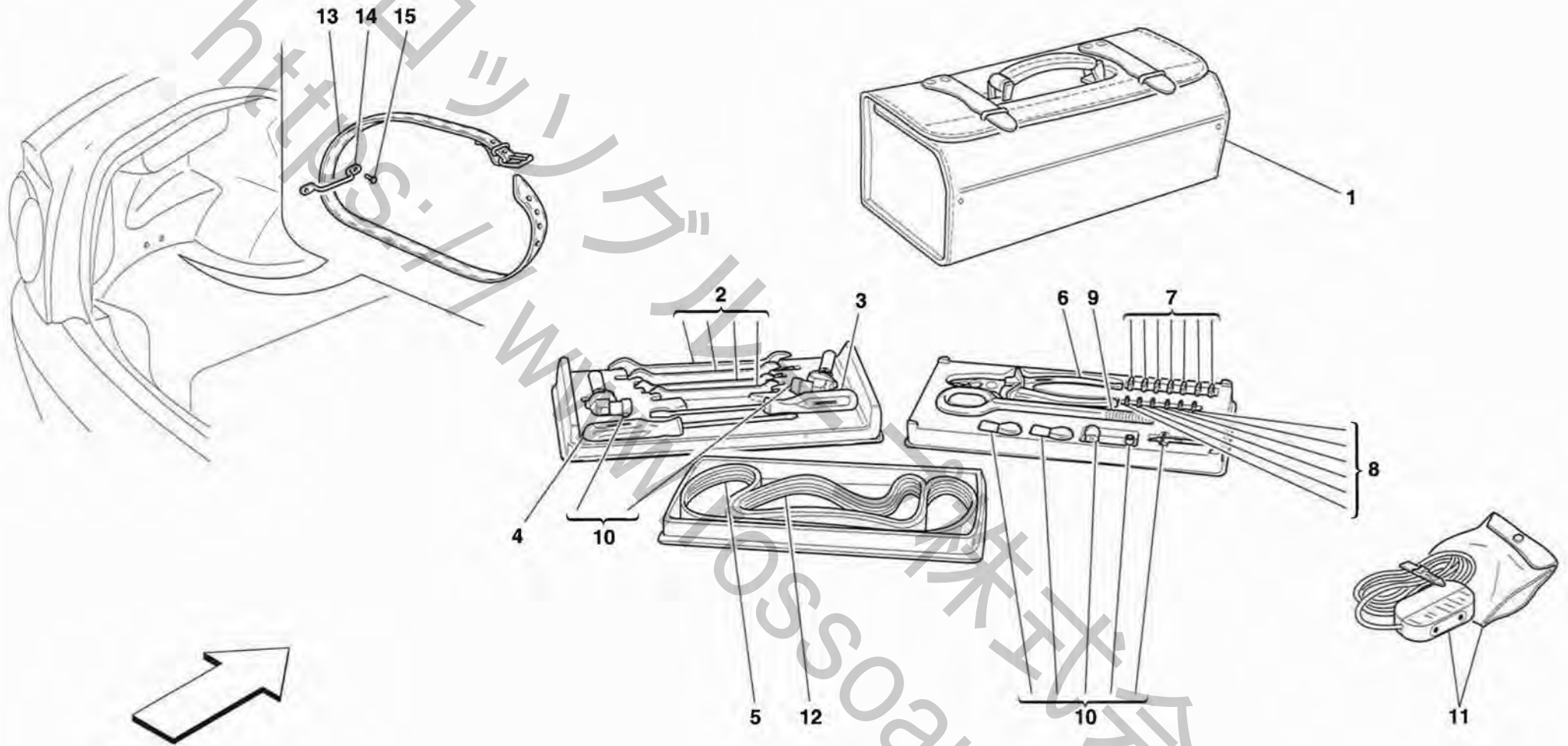
**GRUPPO EVAPORATORE E COMANDI**  
**EVAPORATOR UNIT AND CONTROLS**

**TAV. 65**

**DATA: OTTOBRE '98**



Rif	Dis.N° Part.N°	Q.ty	Denominazione	Description	Rif	Dis.N° Part.N°	Q.ty	Denominazione	Description
1	65433000	1	GRUPPO EVAPORATORE COMPL. -No per GD-	COMPLETE EVAPORATOR SET -Not for GD-	11	64689900	1	STAFFA	BRACKET
-	65618000	1	GRUPPO EVAPORATORE COMPL. -Vale per GD-	COMPLETE EVAPORATOR SET -Valid for GD-	12	65433300	1	PLANCETTA COMANDI A/C -No per USA e GB-	A/C CONTROL PLATE -Not for USA and GB-
2	64929800	1	DISTRIBUTORE ARIA DX. -No per GD-	R.H. AIR DISTRIBUTOR -Not for GD-	-	65433400	1	PLANCETTA COMANDI A/C -Vale per USA e GB-	A/C CONTROL PLATE -Valid for USA and GB-
-	65026000	1	DISTRIBUTORE ARIA DX. -Vale per GD-	R.H. AIR DISTRIBUTOR -Valid for GD-	13	63973900	1	COMPLESSIVO TUBI SCARICO CONDENSA	CONDENSATE OUTLET PIPES ASSEMBLY
3	64680800	1	DISTRIBUTORE ARIA SX. -No per GD-	L.H. AIR DISTRIBUTOR -Not for GD-	14	10902024	1	VITE	SCREW
-	65026100	1	DISTRIBUTORE ARIA SX. -Vale per GD-	L.H. AIR DISTRIBUTOR -Valid for GD-	15	12644424	1	ROSETTA	WASHER
4	64280800	3	MOTORE ELETTRICO	ELECTRIC MOTOR	16	10569279	1	ROSETTA	WASHER
5	64281300	1	STAFFA	BRACKET	17	65618400	1	CABLAGGIO ELETTRICO A/C	A/C ELECTRIC WIRING
6	64280900	1	MOTORE ELETTRICO DX.	R.H. ELECTRIC MOTOR	18	64286100	1	TELERUTTORE	RELAY
-	64280700	1	MOTORE ELETTRICO SX.	L.H. ELECTRIC MOTOR	19	64999000	1	VALVOLA TGK	TGK VALVE
7	65674800	1	CENTRALINA ELETTRONICA	ELECTRONIC CONTROL STATION	20	64286200	1	FUSIBILE 40 A	FUSE 40 A
8	64298300	1	PIASTRINO	SMALL PLATE	21	64280200	1	REGOLATORE ELETTROVENTOLA	ELECTROFAN REGULATOR
9	64281100	1	STAFFA	BRACKET	22	63960100	1	VALVOLA DI ESPANSIONE	EXPANSION VALVE
10	63962000	2	SONDA TEMP. ARIA TRATTATA	TREATED AIR FEELER	23	64281400	1	FLANGIA	FLANGE
					24	65201000	1	TUBO RITORNO DA RISCALDATORE A VALVOLA	RETURN TUBE FROM HEATER TO VALVE
					25	65424800	3	FASCETTA	CLAMP



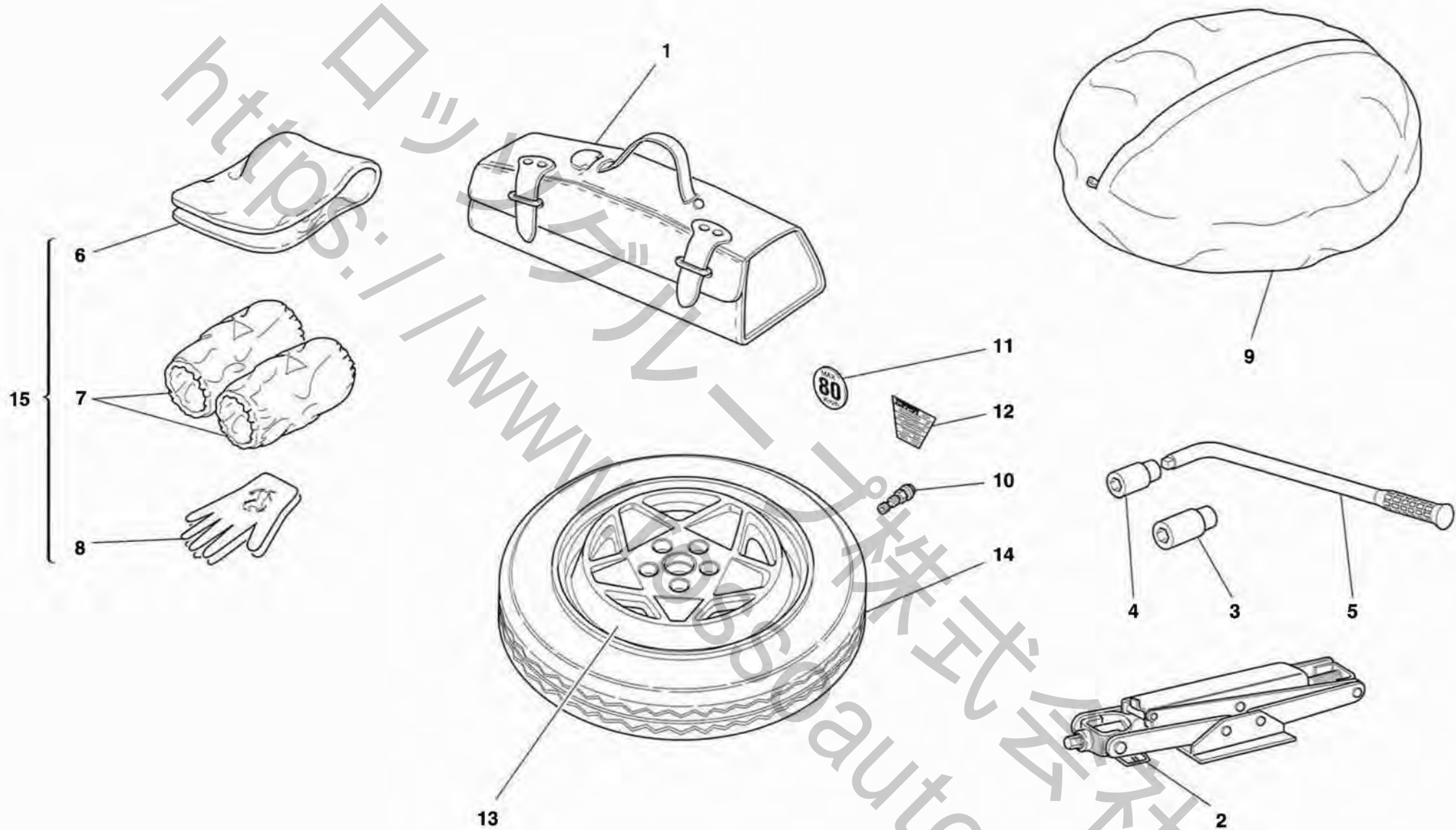
**456MGT/GTA**

**DOTAZIONE ATTREZZI E FISSAGGIO**  
**EQUIPMENT AND FIXING**

**TAV. 66**

**DATA: OTTOBRE '98**

Rif	Dis.N° Part.N°	Q.ty	Denominazione	Description	Rif	Dis.N° Part.N°	Q.ty	Denominazione	Description
-	177738	1	BORSA PORTA ATTREZZI COMPLETA	COMPLETE TOOL KIT BAG	-	126031	1	FUSIBILE 25 AMP.	FUSE 25 AMP.
			-No per 456M GTA-	-Not for 456M GTA-	-	131941	1	FUSIBILE 30 AMP.	FUSE 30 AMP.
			-No per USA e CDN-	-Not for USA and CDN-	8	172874	1	FUSIBILE MINI 3 A.	LITTLE FUSE 3 A.
-	177739	1	BORSA PORTA ATTREZZI COMPLETA	COMPLETE TOOL KIT BAG	-	172876	1	FUSIBILE MINI 7,5 A.	LITTLE FUSE 7,5 A.
			-No per 456M GTA-	-Not for 456M GTA-	-	172877	1	FUSIBILE MINI 10 A.	LITTLE FUSE 10 A.
			-Vale per USA e CDN-	-Valid for USA and CDN-	-	172879	1	FUSIBILE MINI 20 A.	LITTLE FUSE 20 A.
-	177741	1	BORSA PORTA ATTREZZI COMPLETA	COMPLETE TOOL KIT BAG	-	172880	1	FUSIBILE MINI 25 A.	LITTLE FUSE 25 A.
			-Vale per 456M GTA-	-Valid for 456M GTA-	-	172881	1	FUSIBILE MINI 30 A.	LITTLE FUSE 30 A.
			-No per USA e CDN-	-Not for USA and CDN-	9	155838	1	GANCIO DI TRAINO	TOW HOOK
-	177740	1	BORSA PORTA ATTREZZI COMPLETA	COMPLETE TOOL KIT BAG	10	10857790	1	LAMPADA 12V-5W	BULB 12V-5W
			-Vale per 456M GTA-	-Valid for 456M GTA-	-	14148190	1	LAMPADA 12V-21W	BULB 12V-21W
			-Vale per USA e CDN-	-Valid for USA and CDN-	-	14144690	1	LAMPADA 12V-5/21W	BULB 12V-5/21W
1	166415	1	BORSA PORTA ATTREZZI VUOTA	EMPTY TOOL KIT BAG	-	14151095	1	LAMPADA 12V-55W TIPO H1	H1 12V-55W BULB
2	—	1	SERIE CHIAVI FISSE	WRENCH SET	-	101525	1	LAMPADA 12V-3W	BULB 12V-3W
			-Non a ricambio-	-Not as spare part-	-	152567	1	LAMPADA 12V-21W ARANCIO	ORANGE 12V-21W BULB
			-Con la borsa completa-	-With complete bag-				-No per USA e CDN-	-Not for USA and CDN-
3	—	1	CACCIAVITE PER VITI AD	MM. 120 SCREWDRIVER FOR	-	14144190	1	LAMPADA 12V-5W	12V-5W BULB
			INTAGLIO MM. 120	SLOT SCREW				-No per USA e CDN-	-Not for USA and CDN-
			-Non a ricambio-	-Not as spare part-	-	14145890	1	LAMPADA 12V-4W SIDE-MARKER	BULB 12V-4W SIDE-MARKER
			-Con la borsa completa-	-With complete bag-				-Vale per USA e CDN-	-Valid for USA and CDN-
4	—	1	CACCIAVITE PER VITI INT. A	MM. 120 SCREWDRIVER FOR	-	143165	1	LAMPADA 12V-55W TIPO HB4	HB4 12V-55W BULB
			CROCE MM. 120	CROSS SLOT SCREWS				LUCI ANABBAGLIANTI	LOW BEAM
			-Non a ricambio-	-Not as spare part-				-Vale per USA e CDN-	-Valid for USA and CDN-
			-Con la borsa completa-	-With complete bag-	-	143166	1	LAMPADA 12V-65W TIPO HB3	HB3 12V-65W BULB
5	156708	1	CINGHIA PER ALTERNATORE	BELT FOR ALTERNATOR AND				LUCI ABBAGLIANTI	HIGH BEAM
			E COMPRESSORE	COMPRESSOR				-Vale per USA e CDN-	-Valid for USA and CDN-
			-Vedi Tav. 63 Pos. 34-	-See Tab. 63 Pos. 34-	11	142397	1	LAMPADA DI SOCCORSO	EMERGENCY LIGHT
			-No per 456M GTA-	-Not for 456M GTA-	12	166453	1	CINGHIA POMPA ACQUA E	WATER AND HYDR. STEERING
-	167884	1	CINGHIA PER ALTERNATORE	BELT FOR ALTERNATOR AND				IDROGUIDA	PUMP BELT
			E COMPRESSORE	COMPRESSORE				-Vedi Tav. 25 Pos. 56 e	-See Tab. 25 Pos. 56 and
			-Vedi Tav. 63 Pos. 34-	-See Tab. 63 Pos. 34-				Tav. 54 Pos. 21-	Tab. 54 Pos. 21-
			-Vale per 456M GTA-	-Valid for 456M GTA-				-No per 456M GTA-	-Not for 456M GTA-
6	—	1	PINZA UNIVERSALE MM. 190	MM. 190 CUTTING PLIERS	-	169926	1	CINGHIA POMPA ACQUA E	WATER AND HYDR. STEERING
			-Non a ricambio-	-Not as spare part-				IDROGUIDA	PUMP BELT
			-Con la borsa completa-	-With complete bag-				-Vedi Tav. 25 Pos. 56 e	-See Tab. 25 Pos. 56 and
								Tav. 54 Pos. 21-	Tab. 54 Pos. 21-
								-Vale per 456M GTA-	-Valid for 456M GTA-
	11054790	1	FUSIBILE 5 AMP.	FUSE 5 AMP.	13	65809000	1	CINGHIA FISS. TROUSSE	BELT FOR TOOL BAG
	125240	1	FUSIBILE 7,5 AMP.	FUSE 7,5 AMP.	14	65021700	1	GAMBRETTE	BRACKET
	125241	1	FUSIBILE 10 AMP.	FUSE 10 AMP.	15	63615500	2	RIVETTO	RIVET
	125242	1	FUSIBILE 15 AMP.	FUSE 15 AMP.					
	125243	1	FUSIBILE 20 AMP.	FUSE 20 AMP.					



**456MGT/GTA**

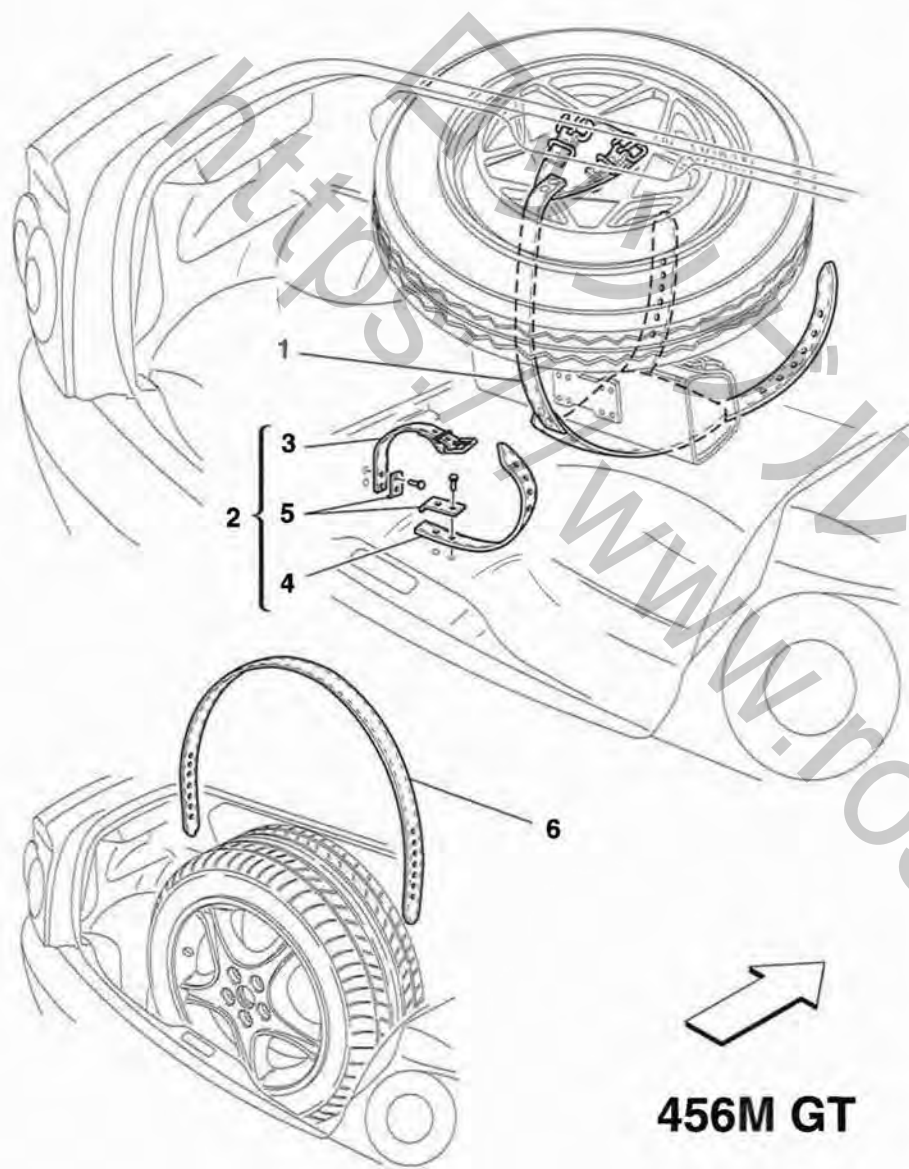
**RUOTA DI SCORTA E ATTREZZI**  
**SPARE WHEEL AND EQUIPMENT**

**TAV. 67**

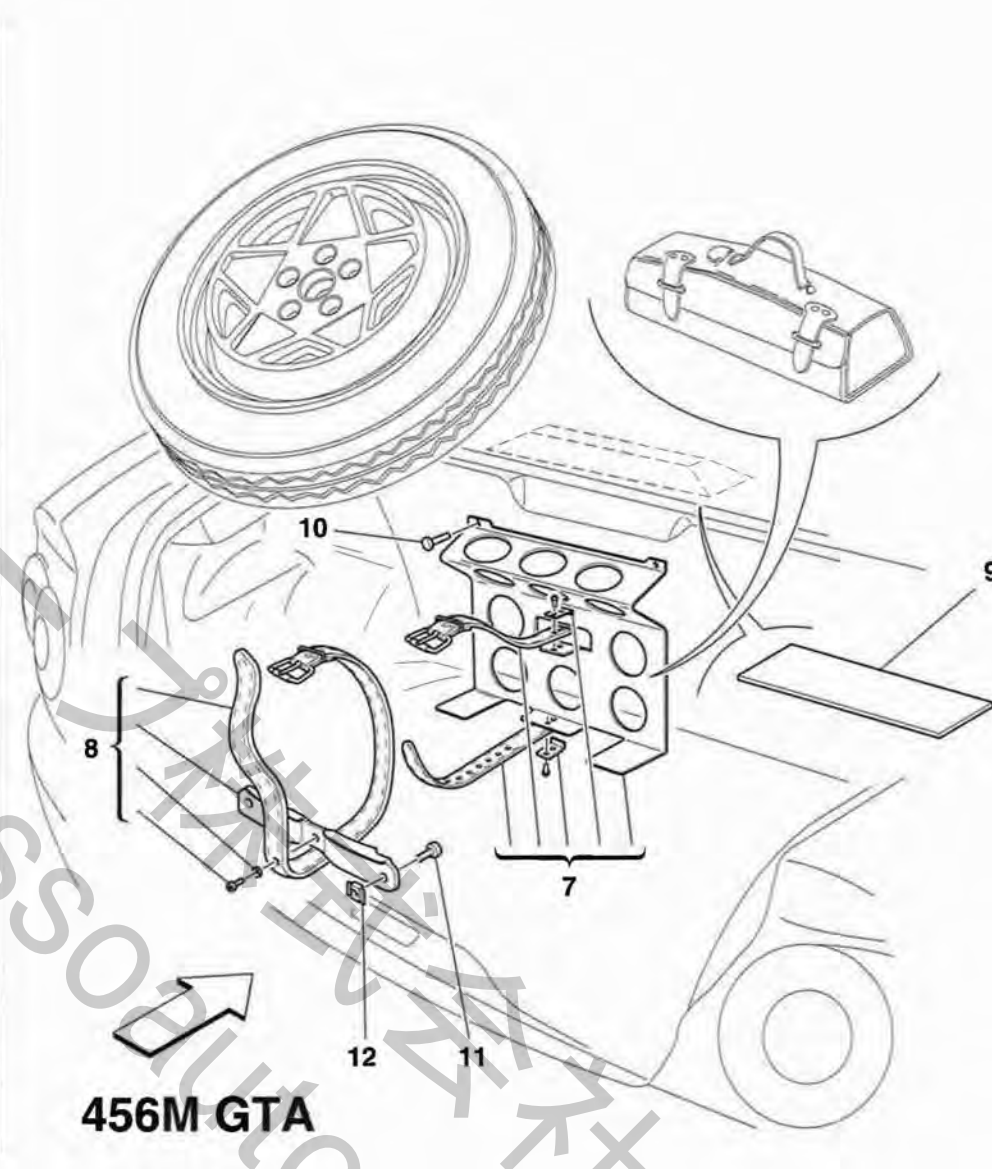
DATA: OTTOBRE '98



Rif	Dis.N° Part.N°	Q.ty	Denominazione	Description	Rif	Dis.N° Part.N°	Q.ty	Denominazione	Description
-	180538	-	KIT RUOTA DI SCORTA -No per 456M GTA- -No per USA e CDN-	SPARE WHEEL KIT -Not for 456M GTA- -Not for USA and CDN-	4	171491	1	CHIAVE A BUSSOLA 17/19	SOCKET WRENCH 17/19
-	180539	-	KIT RUOTA DI SCORTA -No per 456M GTA- -Vale per USA e CDN-	SPARE WHEEL KIT -Not for 456M GTA- -Valid for USA and CDN-	5	171490	1	CHIAVE	KEY
-	180540	-	KIT RUOTA DI SCORTA -Vale per 456M GTA- -No per USA e CDN-	SPARE WHEEL KIT -Valid for 456M GTA- -Not for USA and CDN-	6	65253100	1	BUSTA PORTA ACCESSORI	BAG FOR ACCESSORIES
-	180541	-	KIT RUOTA DI SCORTA -Vale per 456M GTA- -Vale per USA e CDN-	SPARE WHEEL KIT -Valid for 456M GTA- -Valid for USA and CDN-	7	65253200	1	MANICOTTI	SLEEVE
-	179629	1	BORSA PORTA ATTREZZI DI EMERGENZA COMPLETA	COMPLETE EMERGENCY TOOL KIT BAG	8	65253300	1	GUANTI	GLOVES
1	179630	1	BORSA PORTA ATTREZZI VUOTA	EMPTY TOOL KIT BAG	9	65252900	1	COPERTURA PER RUOTINO	SPARE WHEEL COVER
2	171489	1	MARTINETTO PER SOLLEVAMENTO	JACK	10	174258	1	VALVOLA	VALVE
3	171492	1	CHIAVE A BUSSOLA PER VITI RUOTA	SOCKET WRENCH FOR WHEEL SCREWS	11	153815	1	TARGHETTA ADESIVA -No per USA e CDN-	ADHESIVE PLATE -Not for USA and CDN-
					12	139886	1	TARGHETTA ADESIVA -Vale per USA e CDN-	ADHESIVE PLATE -Valid for USA and CDN-
					13	171990	1	CERCHIO RUOTA DI SCORTA 3*1/2 B X 17"	SPARE WHEEL RIM 3*1/2 B X 17"
					14	171995	1	PNEUMATICO GOOD-YEAR T125/80 R17	TYRE GOOD-YEAR T125/80 R17
					15	65253000	1	BUSTA PORTA ACCESSORI COMPLETA	COMPLETE BAG FOR ACCESSORIES



**456M GT**



**456M GTA**

**456MGT/GTA**

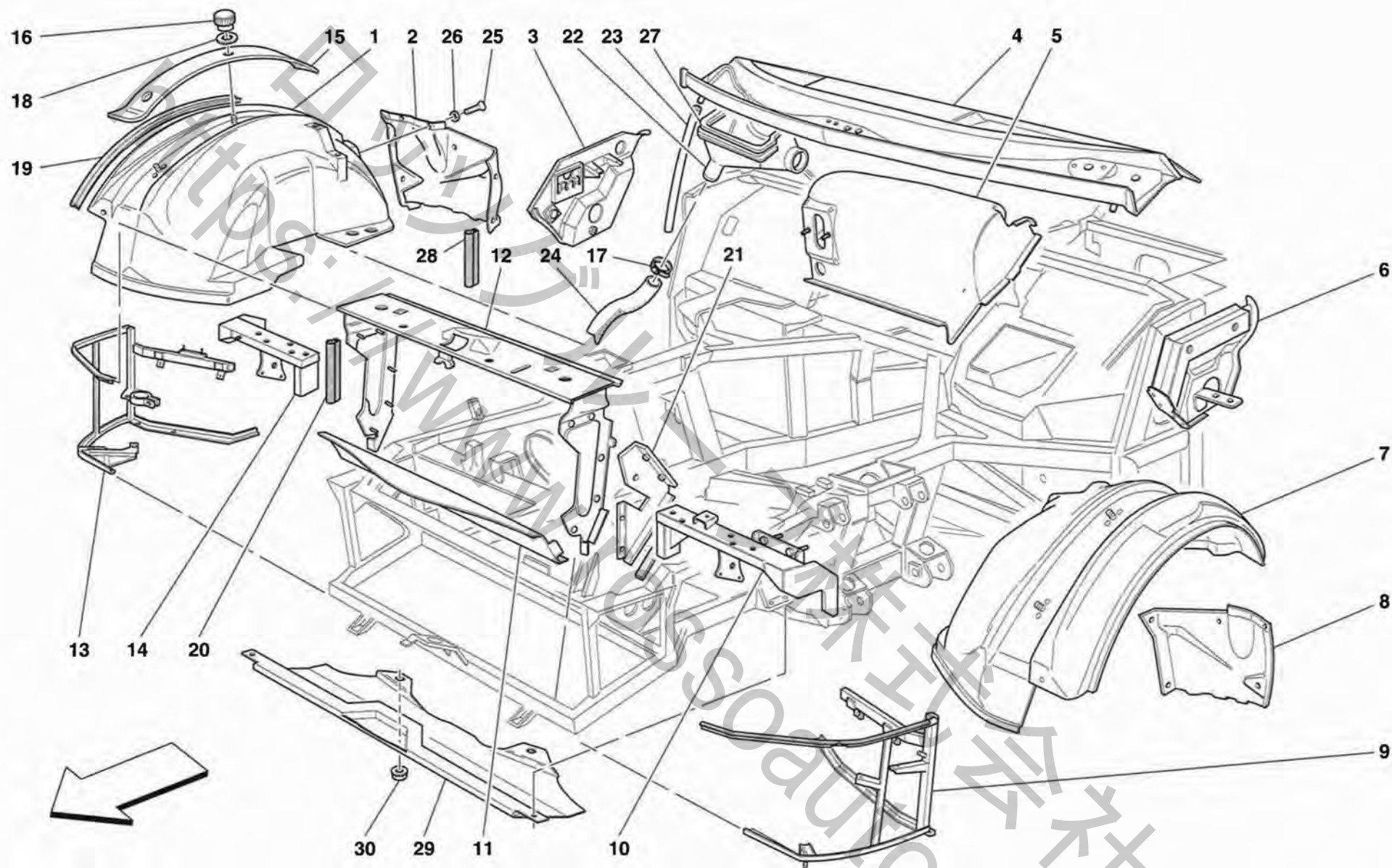
*FISSAGGI RUOTA DI SCORTA*  
*SPARE WHEEL FIXINGS*

**TAV. 68**

DATA: OTTOBRE '98

Rif	Dis.N° Part.N°	Q.ty	Denominazione	Description
1	179631	1	CINTURINO FISS. BORSA DI EMERGENZA E RUOTA DI SCORTA	BELT FOR EMERGENCY TOOL BAG AND SPARE WHEEL -Vale per 456M GT- -Valid for 456M GT-
2	179676	2	CINTURINO FISS. RUOTA DI SCORTA COMPLETO	COMPLETE BELT FOR SPARE WHEEL -Vale per 456M GT- -Valid for 456M GT-
3	63604500	2	CINTURINO CON FIBBIA	BELT WITH BUCKLE -Vale per 456M GT- -Valid for 456M GT-
4	63604600	2	CINTURINO	BELT -Vale per 456M GT- -Valid for 456M GT-
5	65123000	4	PIASTRINO PER CINTURINI	SMALL PLATE FOR BELTS -Vale per 456M GT- -Valid for 456M GT-
6	65865400	1	CINTURINO FISS. RUOTA FORATA	PUNCTURED WHEEL FIXING BELT -Vale per 456M GT- -Valid for 456M GT-

Rif	Dis.N° Part.N°	Q.ty	Denominazione	Description
7	65807100	1	STAFFA SUPPORTO RUOTINO DI SCORTA E BORSA DI EMERGENZA	BRACKET FOR SPARE WHEEL AND EMERGENCY TOOL BAG SUPPORT -Vale per 456M GTA- -Valid for 456M GTA-
8	65807000	1	STAFFA APPOGGIO INFERIORE RUOTA DI SCORTA	BRACKET FOR SPARE WHEEL LOWER SUPPORT -Vale per 456M GTA- -Valid for 456M GTA-
9	65807200	1	SPUGNA ADESIVA PER RUOTINO	INSULATION FOR SPARE WHEEL -Vale per 456M GTA- -Valid for 456M GTA-
10	16297627	3	VITE	SCREW -Vale per 456M GTA- -Valid for 456M GTA-
11	14305726	2	VITE	SCREW -Vale per 456M GTA- -Valid for 456M GTA-
12	14648790	2	DADO	NUT -Vale per 456M GTA- -Valid for 456M GTA-



**456MGT/GTA**

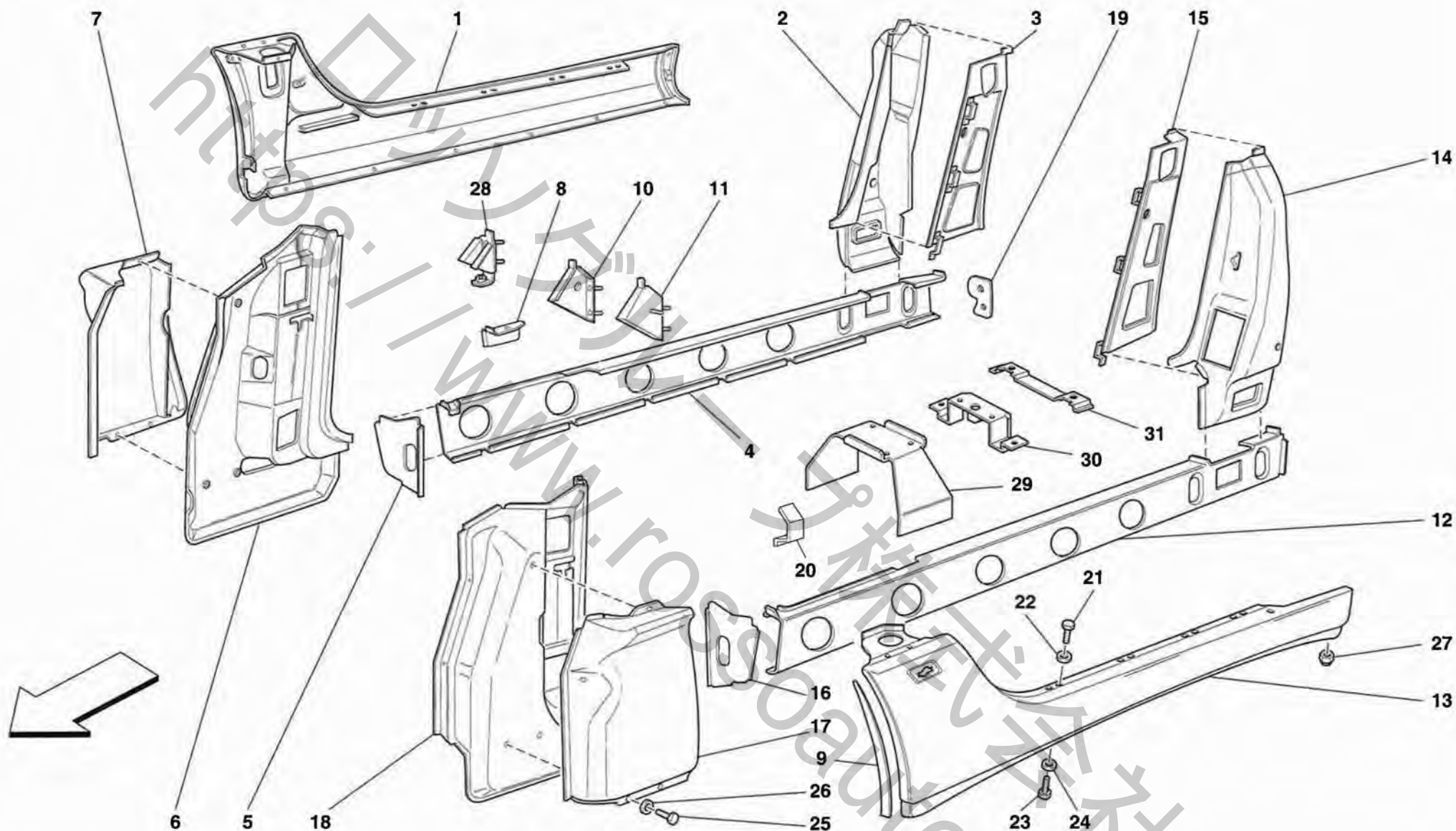
**STRUTTURE ED ELEMENTI PARTE ANTERIORE**  
**FRONT STRUCTURES AND COMPONENTS**

**TAV. 101**

DATA: OTTOBRE '98



Rif	Dis.N° Part.N°	Q.ty	Denominazione	Description	Rif	Dis.N° Part.N°	Q.ty	Denominazione	Description
1	65419700	1	PASSARUOTA ANTERIORE SUPERIORE DX. -No per GD-	R.H. FRONT UPPER WHEELHOUSE -Not for GD-	10	65446600	1	MENSOLA SUPPORTO PROIETTORE SX.	L.H. HEAD LAMP SUPPORT
-	65646800	1	PASSARUOTA ANTERIORE SUPERIORE DX. -Vale per GD-	R.H. FRONT UPPER WHEELHOUSE -Valid for GD-	11	65467200	1	CONVOGLIATORE ARIA INFERIORE	LOWER AIR CONVEYOR
2	65509500	1	PARASASSI POST. PASSARUOTA DX.	R.H. WHEELHOUSE REAR PANEL	12	63789400	1	TRAVERSA ANTERIORE -Vale fino alla vett. Ass. Nr. 30203-	FRONT CROSS MEMBER -Valid till car Ass. Nr. 30203-
3	65582200	1	MENSOLA ATTACCO CERNIERA DX. -No per GD-	R.H. HINGE CONNECTION -Not for GD-	-	179534	1	TRAVERSA ANTERIORE -Vale dalla vett. Ass. Nr. 30204-	FRONT CROSS MEMBER -Valid from car Ass. Nr. 30204-
-	65847500	1	MENSOLA ATTACCO CERNIERA DX. -Vale per GD-	R.H. HINGE CONNECTION -Valid for GD-	13	65446900	1	TRALICCIO ANTERIORE DX.	R.H. FRONT FRAME
4	65801600	1	TRAVERSA INFERIORE PARABREZZA -No per GD-	LOWER WINDSHIELD CROSS MEMBER -Not for GD-	14	65446500	1	MENSOLA SUPPORTO PROIETTORE DX.	R.H. HEAD LAMP SUPPORT
-	64041300	1	TRAVERSA INFERIORE PARABREZZA -Vale per GD-	LOWER WINDSHIELD CROSS MEMBER -Valid for GD-	15	65142100	2	COPERCHIO	COVER
5	177392	1	RIPARO CONDIZIONATORE -No per USA, CDN, J e GD-	PROTECTION FOR AIR CONDITIONING -Not for USA, CDN, J and GD-	16	63198900	6	GHIERA	RING NUT
-	63855800	1	RIPARO CONDIZIONATORE -Vale per USA, CDN e J-	PROTECTION FOR AIR CONDITIONING -Valid for USA, CDN and J-	17	13000690	1	COLLARE A VITE	SCREW COLLAR
-	177571	1	RIPARO CONDIZIONATORE -Vale per GD-	PROTECTION FOR AIR CONDITIONING -Valid for GD-	18	65550400	6	DISTANZIALE	SPACER
6	65627800	1	MENSOLA ATTACCO CERNIERA SX. -No per GD-	L.H. HINGE CONNECTION -Not for GD-	19	65550300	2	GUARNIZIONE	GASKET
-	65847600	1	MENSOLA ATTACCO CERNIERA SX. -Vale per GD-	L.H. HINGE CONNECTION -Valid for GD-	20	64329000	2	GUARNIZIONE LATERALE	LATERAL GASKET
7	65419800	1	PASSARUOTA ANTERIORE SUPERIORE SX. -No per GD-	L.H. FRONT UPPER WHEELHOUSE -Not for GD-	21	63480100	1	PARETE LATERALE SX. CONVOGLIATORE	L.H. CONVEYOR LATERAL PANEL
-	65647000	1	PASSARUOTA ANTERIORE SUPERIORE SX. -Vale per GD-	L.H. FRONT UPPER WHEELHOUSE -Valid for GD-	-	63480000	1	PARETE LATERALE DX. CONVOGLIATORE	R.H. CONVEYOR LATERAL PANEL
8	65509600	1	PARASASSI POST. PASSARUOTA SX.	L.H. WHEELHOUSE REAR PANEL	22	63200700	1	CONDOTTO ARIA -No per GD-	AIR DUCTING -Not for GD-
9	65447000	1	TRALICCIO ANTERIORE SX.	L.H. FRONT FRAME	-	65500700	1	CONDOTTO ARIA -Vale per GD-	AIR DUCTING -Valid for GD-
					23	63891600	2	TUBO SCARICO ACQUA	WATER EXHAUST PIPE
					24	63200800	1	TUBO SCARICO ACQUA -No per GD-	WATER EXHAUST TUBE -Not for GD-
					-	64537300	1	TUBO SCARICO ACQUA -Vale per GD-	WATER EXHAUST TUBE -Valid for GD-
					25	15688375	18	VITE	SCREW
					26	12638177	20	ROSETTA	WASHER
					27	63201100	1	GUARNIZIONE CONDOTTO ARIA	AIR DUCTING GASKET
					28	64517200	2	GUARNIZIONE	GASKET
					29	177901	1	SCIVOLO COMPLETO	COMPLETE SHIELD
					30	13046114	2	DADO	NUT



**456MGT/GTA**

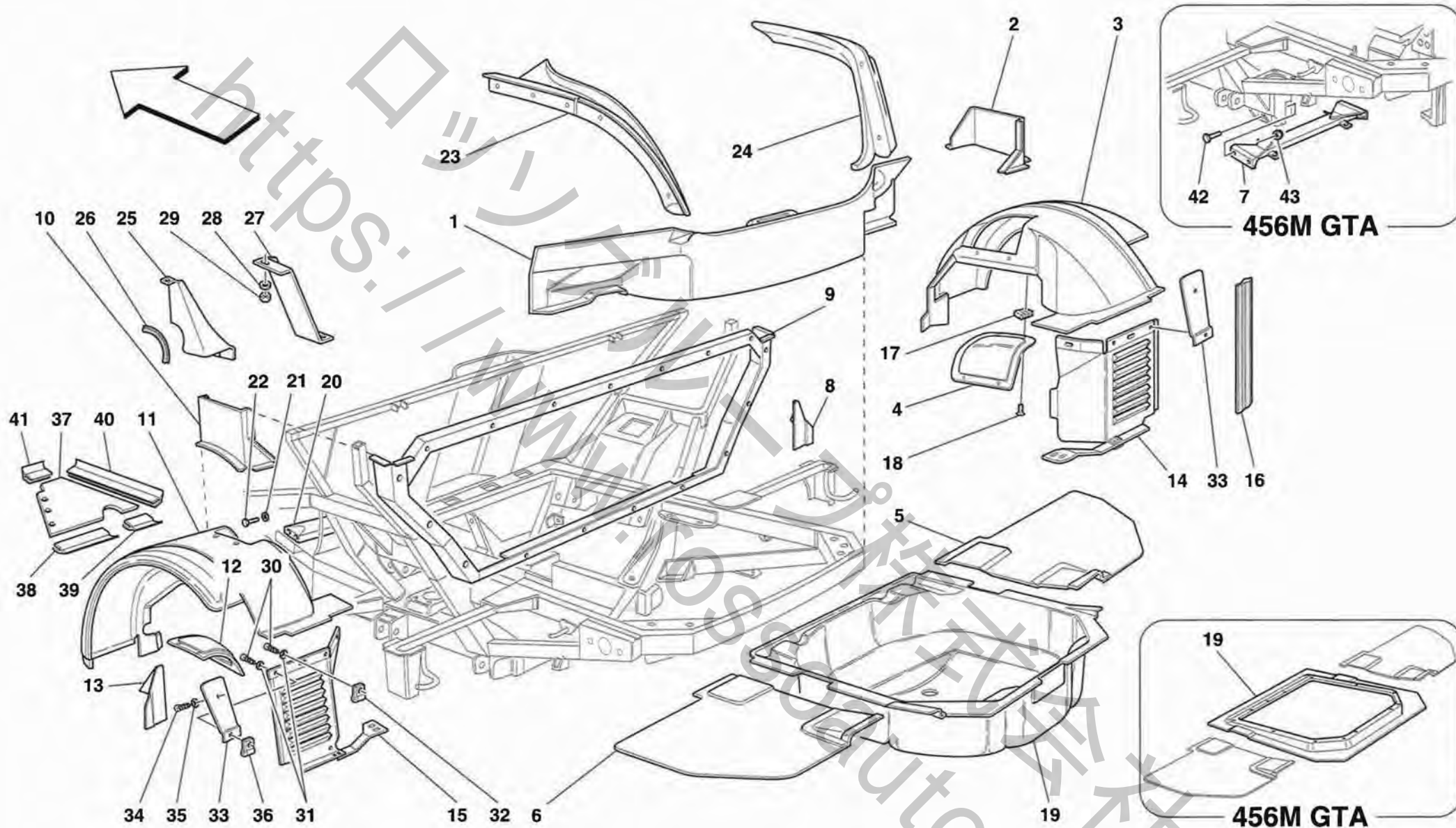
**STRUTTURE ED ELEMENTI PARTE CENTRALE**  
**CENTRAL STRUCTURES AND COMPONENTS**

**TAV. 102**

DATA: OTTOBRE '98

Rif	Dis.N° Part.N°	Q.ty	Denominazione	Description	Rif	Dis.N° Part.N°	Q.ty	Denominazione	Description
1	65558800	1	COPRILONGHERONE DX. -No per USA e CDN-	COVERING FOR R.H. SIDE MEMBER -Not for USA and CDN-	-	65655200	1	COPRILONGHERONE SX.	EXTERNAL COVERING FOR L.H. SIDE MEMBER
-	65655100	1	COPRILONGHERONE DX. -Vale per USA e CDN-	COVERING FOR R.H. SIDE MEMBER -Valid for USA and CDN-	14	65575600	1	PIANTONE ESTERNO POSTERIORE SX.	L.H. EXTERNAL REAR COLUMN
2	65575500	1	PIANTONE ESTERNO POSTERIORE DX.	R.H. EXTERNAL REAR COLUMN	15	65442900	1	PIANTONE INTERNO POSTERIORE SX.	L.H. INTERNAL REAR COLUMN
3	65442800	1	PIANTONE INTERNO POSTERIORE DX.	R.H. INTERNAL REAR COLUMN	16	63212100	1	DIAFRAMMA ANTERIORE SX.	L.H. FRONT DIAPHRAGM
4	63211600	1	LONGHERONE DX.	R.H. SIDE MEMBER	17	63201600	1	FIANCHETTO ANTERIORE ESTERNO SX.	L.H. FRONT EXTERNAL SIDE PANEL
5	63212000	1	DIAFRAMMA ANTERIORE DX.	R.H. FRONT DIAPHRAGM	18	63199900	1	PIANTONE ESTERNO COMPLETO SX.	L.H. EXTERNAL COLUMN COMPLETE
6	63199800	1	PIANTONE ESTERNO COMPLETO DX.	R.H. EXTERNAL COLUMN COMPLETE	19	63213600	1	RIPORTO INFERIORE POSTERIORE DX.	R.H. REAR LOWER CARPET SHIELD
7	63201500	1	FIANCHETTO ANTERIORE ESTERNO DX.	R.H. FRONT EXTERNAL SIDE PANEL	-	63213700	1	RIPORTO INFERIORE POSTERIORE SX.	L.H. REAR LOWER CARPET SHIELD
8	63785300	2	STAFFA ANTERIORE DX.	R.H. FRONT BRACKET	20	63785600	1	STAFFA ANTERIORE SX.	L.H. FRONT BRACKET
9	64498400	1	PROTEZIONE SX.	L.H. PROTECTION	-	63785500	1	STAFFA ANTERIORE DX.	R.H. FRONT BRACKET
-	64498500	1	PROTEZIONE DX.	R.H. PROTECTION	21	13833224	14	VITE	SCREW
10	63761400	1	STAFFA DX. FISSAGGIO PLANCIA -No per GD-	R.H. BRACKET FOR INSTRUMENT PANEL FIXING -Not for GD-	22	12638124	16	ROSETTA	WASHER
-	64041100	1	STAFFA DX. FISSAGGIO PLANCIA -Vale per GD-	R.H. BRACKET FOR INSTRUMENT PANEL FIXING -Valid for GD-	23	10902380	12	VITE	SCREW
11	63761600	1	STAFFA SX. FISSAGGIO PLANCIA -No per GD-	L.H. BRACKET FOR INSTRUMENT PANEL FIXING -Not for GD-	24	12643770	12	ROSETTA	WASHER
-	64041000	1	STAFFA SX. FISSAGGIO PLANCIA -Vale per GD-	L.H. BRACKET FOR INSTRUMENT PANEL FIXING -Valid for GD-	25	13833224	6	VITE	SCREW
12	63211700	1	LONGHERONE SX.	L.H. SIDE MEMBER	26	12638124	6	ROSETTA	WASHER
13	65558900	1	COPRILONGHERONE SX. -No per USA e CDN-	EXTERNAL COVERING FOR L.H. SIDE MEMBER -Not for USA and CDN-	27	13832101	4	DADO	NUT
					28	175556	2	STAFFA FISSAGGIO PLANCIA	BRACKET FOR DASHBOARD FIXING
					29	174878	1	PONTE SUPPORTO CENTRALINA AIR BAG	AIR BAG UNIT FIXING BRACKET
					30	175624	1	STAFFA FISS. POST. MOBILETTO ANT.	REAR BRACKET FOR FRONT CONSOLE FIXING
					31	175625	1	STAFFA FISS. TUNNEL POST.	BRACKET FOR REAR TUNNEL FIXING





**456MGT/GTA**

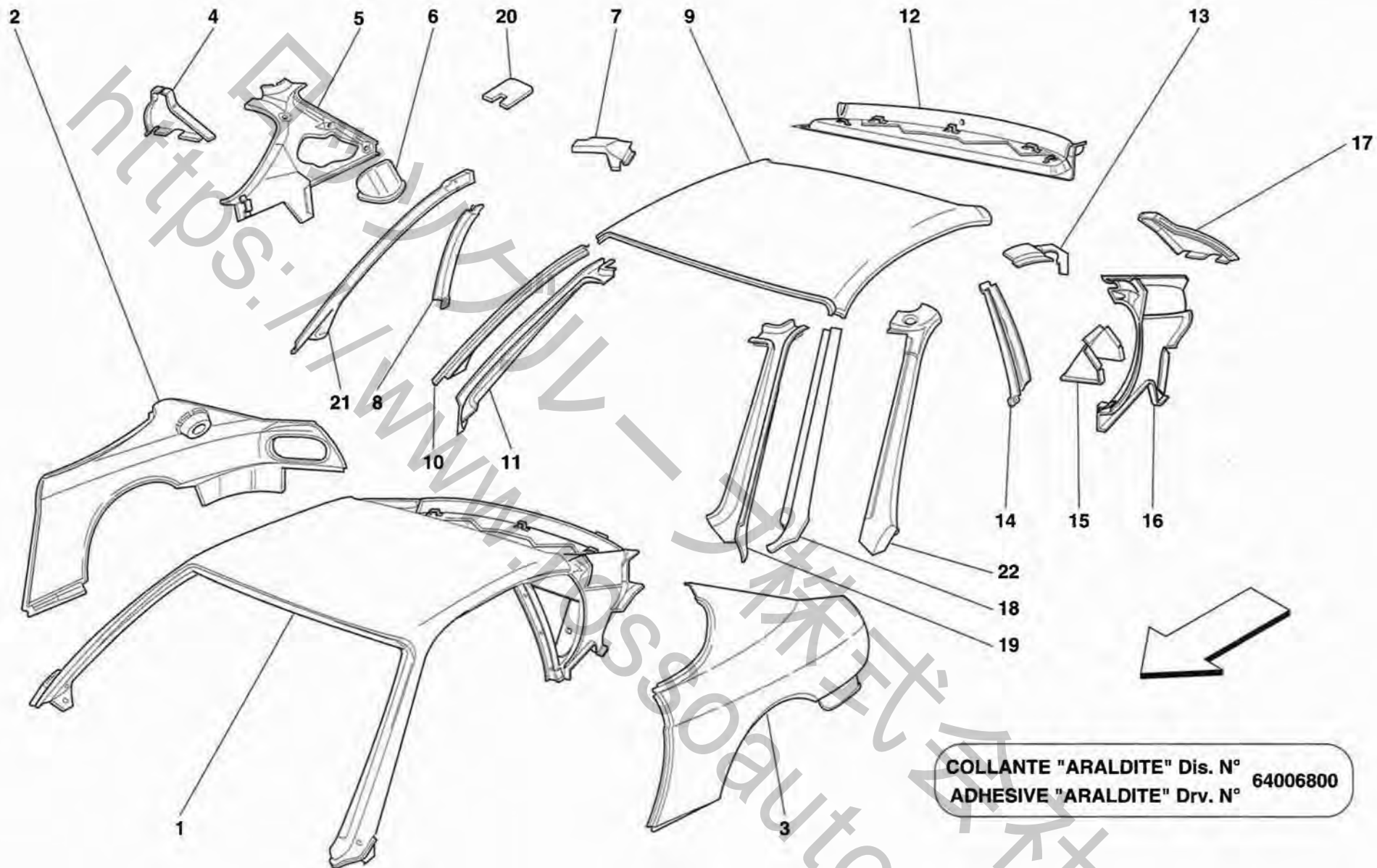
**STRUTTURE ED ELEMENTI PARTE POSTERIORE**  
**REAR STRUCTURES AND COMPONENTS**

**TAV. 103**

**DATA: OTTOBRE '98**



Rif	Dis.N° Part.N°	Q.ty	Denominazione	Description	Rif	Dis.N° Part.N°	Q.ty	Denominazione	Description
1	65628000	1	OSSATURA CONTORNO BAULE -No per 456M GTA-	CUTOUT TRUNK MOULDING -Not for 456M GTA-	-	64337500	1	PARATIA RIPARO CALORE ANTERIORE DX.	FRONT R.H. HEAT PROTECTION SHIELD
-	65628100	1	OSSATURA CONTORNO BAULE -Vale per 456M GTA-	CUTOUT TRUNK MOULDING -Valid for 456M GTA-	26	64517200	2	GUARNIZIONE	GASKET
2	65518800	1	CHIUSURA LATERALE PIANO SOTTOLUNOTTO DX.	R.H. SIDEWALL MOULDING	27	64337800	1	PARATIA RIPARO CALORE POSTERIORE SX.	REAR L.H. HEAT PROTECTION SHIELD
3	64467300	1	PASSARUOTA POSTERIORE DX.	R.H. REAR WHEELHOUSE	-	64337700	1	PARATIA RIPARO CALORE POSTERIORE DX.	REAR R.H. HEAT PROTECTION SHIELD
4	65500500	1	SPORTELLLO DX.	R.H. DOOR	28	12638124	8	ROSETTA	WASHER
5	65655900	1	PAVIMENTO VANO BAULE DX.	R.H. TRUNK BOTTON	29	169180	8	DADO	NUT
6	65656000	1	PAVIMENTO VANO BAULE SX.	L.H. TRUNK BOTTON	30	15688375	12	VITE	SCREW
7	164716	1	TRAVERSA POST. MOBILE -Vale per 456M GTA-	REAR REMOVABLE CROSS MEMBER -Valid for 456M GTA-	31	12638177	12	ROSETTA	WASHER
8	62785400	1	ANGOLARE DX.	R.H. ANGLE PIECE	32	61789700	12	STAFFETTA DI FISSAGGIO	FIXING BRACKET
9	63862400	1	INTELAIATURA FISSAGGIO PARETE	FRAMING	33	64467600	1	SPORTELLLO SX. ACCESSO SIDE-MARKER	SIDE-MARKER ACCESS L.H. DOOR
10	63741700	1	CHIUSURA LATERALE PIANO SOTTOLUNOTTO SX.	L.H. SIDEWALL MOULDING	-	65770300	1	SPORTELLLO SX. ACCESSO SIDE-MARKER	SIDE-MARKER ACCESS L.H. DOOR
11	64467400	1	PASSARUOTA POSTERIORE SX.	L.H. REAR WHEELHOUSE	-	64467500	1	SPORTELLLO DX. ACCESSO SIDE-MARKER	SIDE-MARKER ACCESS R.H. DOOR
12	65500600	1	SPORTELLLO SX.	L.H. DOOR	-	65770200	1	SPORTELLLO DX. ACCESSO SIDE-MARKER	SIDE-MARKER ACCESS R.H. DOOR
13	62785500	1	ANGOLARE SX.	L.H. ANGLE PIECE	34	15688375	4	VITE	SCREW
14	65432000	1	PARASASSI POST. DX.	R.H. REAR GRAVEL GUARD	35	12638177	4	ROSETTA	WASHER
15	65432100	1	PARASASSI POST. SX.	L.H. REAR GRAVEL GUARD	36	61789700	2	STAFFETTA DI FISSAGGIO	FIXING BRACKET
16	62796000	2	GUARNIZIONE PARASASSI POSTERIORE	REAR GRAVEL GUARD GASKET	37	64054000	2	RIPARO PASSARUOTA POSTERIORE	REAR WHEELHOUSE SHIELD
17	61789700	8	STAFFETTA DI FISSAGGIO	FIXING BRACKET	38	64076500	4	GUARNIZIONE	GASKET
18	15644175	8	VITE	SCREW	39	64076700	4	GUARNIZIONE	GASKET
19	64294700	1	PIANO BAULE -No per 456M GTA-	TRUNK COVER -Not for 456M GTA-	40	64076600	4	GUARNIZIONE	GASKET
-	64694400	1	PIANO BAULE -Vale per 456M GTA-	TRUNK COVER -Valid for 456M GTA-	41	64076400	4	GUARNIZIONE	GASKET
20	154580	1	TRAVERSA POSTERIORE TELAIO	REAR CROSSRAIL	42	15540621	4	VITE	SCREW
21	127496	4	ROSETTA	WASHER	43	142438	4	DADO -Vale per 456M GTA-	NUT -Valid for 456M GTA-
22	16043124	4	VITE	SCREW					
23	64427400	1	ASSIEME CANALINA SX.	L.H. CONTOUR					
24	64427200	1	ASSIEME CANALINA DX.	R.H. CONTOUR					
25	64337600	1	PARATIA RIPARO CALORE ANTERIORE SX.	FRONT L.H. HEAT PROTECTION SHIELD					



COLLANTE "ARALDITE" Dis. N° 64006800  
 ADHESIVE "ARALDITE" Drv. N°

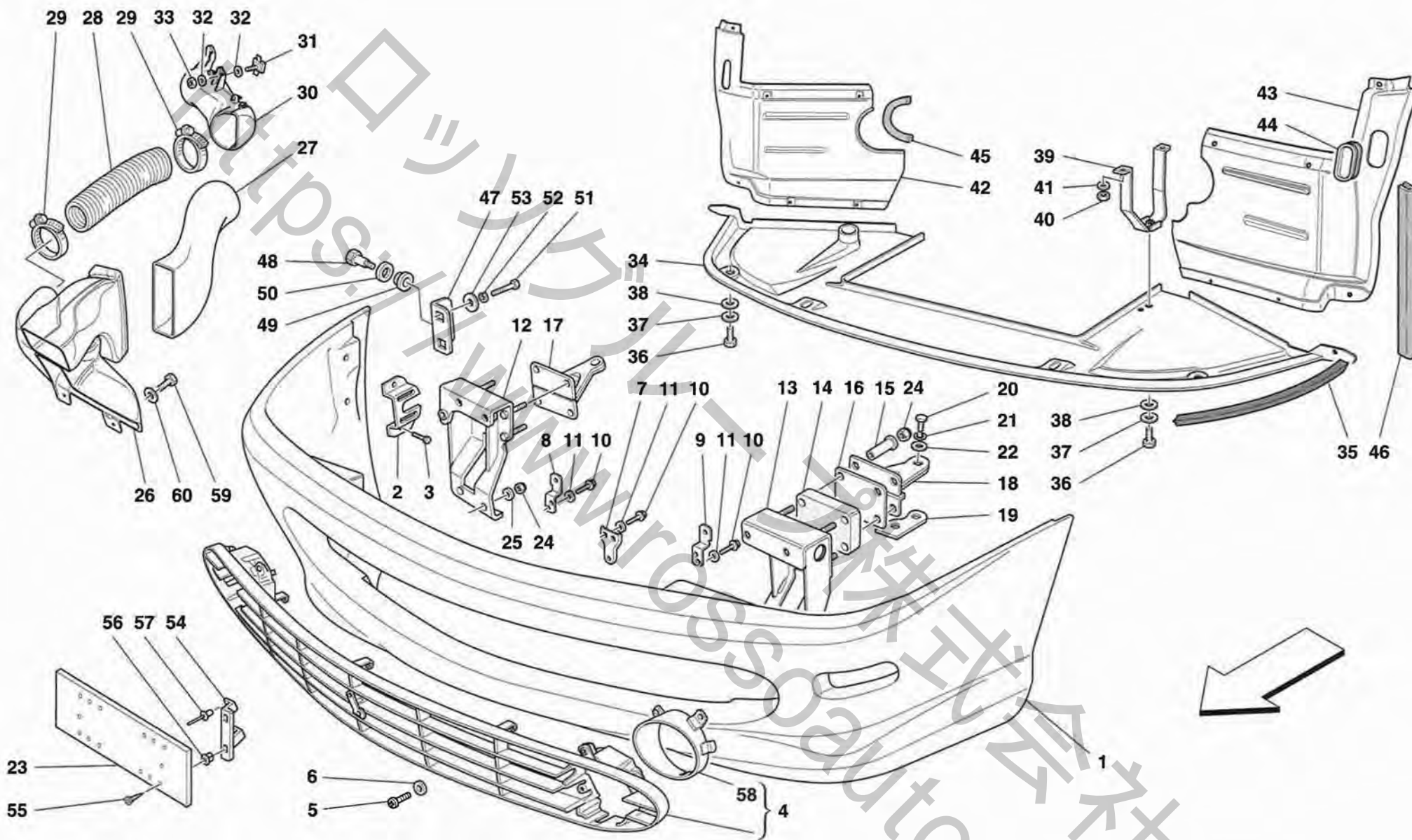
**456MGT/GTA**

*STRUTTURE ED ELEMENTI PADIGLIONE*  
*ROOF PANEL STRUCTURES AND COMPONENTS*

**TAV. 104**

DATA: OTTOBRE '98

Rif	Dis.N° Part.N°	Q.ty	Denominazione	Description	Rif	Dis.N° Part.N°	Q.ty	Denominazione	Description
1	65624100	1	COMPLESSIVO PADIGLIONE -No per USA, CDN e AUS-	WHOLE ROOF -Not for USA, CDN and AUS-	10	65686500	1	RIVESTIMENTO ESTERNO DX. MONTANTE PARABREZZA	R.H. OUTER TRIM FOR WINDSHIELD VERTICAL ROD
-	65563400	1	COMPLESSIVO PADIGLIONE -Vale per USA-	WHOLE ROOF -Valid for USA-	11	63173600	1	SCATOLAMENTO MONTANTE DX.	R.H. VERTICAL ROD
-	65627200	1	COMPLESSIVO PADIGLIONE -Vale per CDN e AUS-	WHOLE ROOF -Valid for CDN and AUS-	12	65627500	1	TRAVERSA POSTERIORE LUNOTTO -No per 456M GTA-	REAR WINDOW CROSS MEMBER -Not for 456M GTA-
2	64386800	1	PARAFANGO POSTERIORE DX. COMPLETO	COMPLETE R.H. REAR FENDER	-	65602800	1	TRAVERSA POSTERIORE LUNOTTO -Vale per 456M GTA-	REAR WINDOW CROSS MEMBER -Valid for 456M GTA-
3	65627900	1	PARAFANGO POSTERIORE SX. COMPLETO	COMPLETE L.H. REAR FENDER	13	63175900	1	LONGHERINA POSTERIORE SX.	L.H. REAR DOOR SILL SIDE MEMBER
4	65519100	1	COLLEGAMENTO INF. DX.	R.H. LOWER JOINTS CONNECTION	14	63125700	1	SCATOLAMENTO CENTRALE SX.	L.H. CASE
5	65603000	1	SCATOLAMENTO DX.	R.H. FRAME	15	63867500	1	RIPARO SX.	L.H. SHIELD
6	64370300	1	RIPARO BOCCHETTONE CARBURANTE	UNION FUEL SHIELD	16	65603100	1	SCATOLAMENTO SX.	L.H. FRAME
7	63175800	1	LONGHERINA POSTERIORE DX.	R.H. REAR DOOR SILL SIDE MEMBER	17	63704000	1	STAFFA SX.	L.H. BRACKET
8	63125600	1	SCATOLAMENTO CENTRALE DX.	R.H. CASE	18	65686600	1	RIVESTIMENTO ESTERNO SX. MONTANTE PARABREZZA	L.H. OUTER TRIM FOR WINDSHIELD VERTICAL ROD
9	65686900	1	RIVESTIMENTO ESTERNO PADIGLIONE	ROOF PANEL	19	63173700	1	SCATOLAMENTO MONTANTE SX.	L.H. VERTICAL ROD
					20	63873400	1	CHIUSURA	SEAL
					21	64427700	1	ASSIEME MONTANTE INTERNO DX.	R.H. INNER PILLAR ASSEMBLY
					22	64427800	1	ASSIEME MONTANTE INTERNO SX.	L.H. INNER PILLAR



**456MGT/GTA**

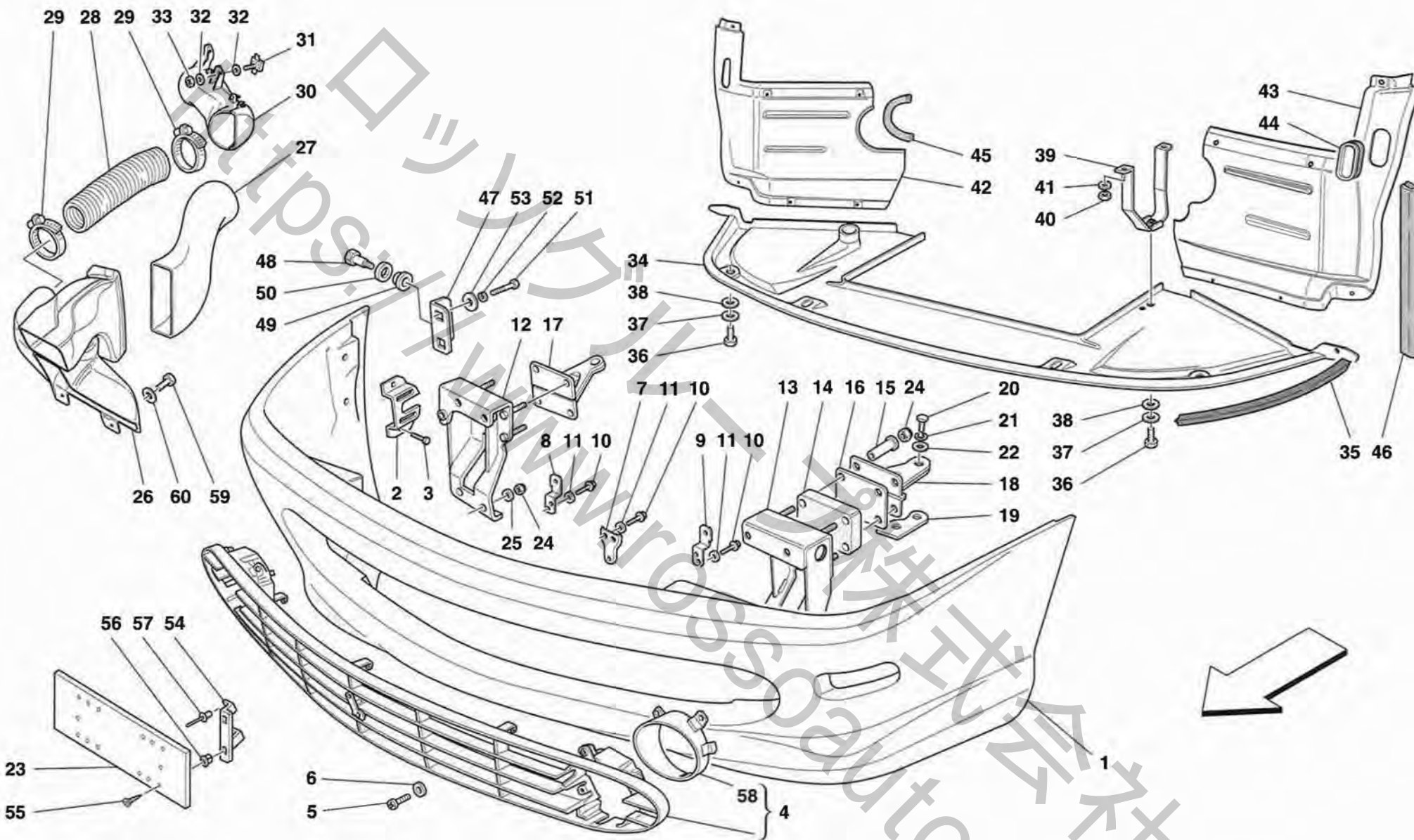
**PARAURTI ANTERIORE**  
**FRONT BUMPER**

**TAV. 105**

**DATA: OTTOBRE '98**



Rif	Dis.N° Part.N°	Q.ty	Denominazione	Description	Rif	Dis.N° Part.N°	Q.ty	Denominazione	Description
1	65284110	1	PARAURTI ANTERIORE -No per USA e CDN-	FRONT BUMPER -Not for USA and CDN-	24	104114	16	DADO	NUT
-	65679010	1	PARAURTI ANTERIORE -Vale per USA-	FRONT BUMPER -Valid for USA-	25	12646821	8	ROSETTA	WASHER
-	65616210	1	PARAURTI ANTERIORE -Vale per CDN-	FRONT BUMPER -Valid for CDN-	26	65571000	1	ASSIEME BOCCHETTE PRESE ARIA DX.	R.H. AIR INTAKE ASSEMBLY
2	65282300	2	STAFFA	BRACKET	-	65570900	1	ASSIEME BOCCHETTA PRESA ARIA SX.	L.H. AIR INTAKE ASSEMBLY
3	16285127	4	VITE	SCREW	27	175621	1	CONVOGLIATORE ARIA DX.	R.H. AIR INLET
4	65287800	1	GRIGLIA ANTERIORE	FRONT GRILL	-	175622	1	CONVOGLIATORE ARIA SX.	L.H. AIR INLET
5	13276177	9	VITE	SCREW	28	177780	2	TUBO RAFFREDDAMENTO FRENI ANT.	FRONT BRAKES COOLING PIPE
6	10519424	9	ROSETTA	WASHER	29	13001090	4	COLLARE A VITE	SCREW COLLAR
7	65468300	7	STAFFA FISS. GRIGLIA	BRACKET FOR GRID FIXING	30	168355	1	CONVOGLIATORE ARIA FRENI DX.	R.H. BRAKES AIR INLET
8	65468400	1	PIASTRINA DX. FISS. GRIGLIA	R.H. GRID FIXING PLATE	-	168356	1	CONVOGLIATORE ARIA FRENI SX.	L.H. BRAKES AIR INLET
9	65468500	1	PIASTRINA SX. FISS. GRIGLIA	L.H. GRID FIXING PLATE	31	14662695	4	VITE	SCREW
10	10977724	18	VITE	SCREW	32	12646601	4	ROSETTA	WASHER
11	12638124	18	ROSETTA	WASHER	33	102741	4	DADO	NUT
12	65282100	1	STAFFA DX. FISS. PARAURTI	R.H. FIXED BRACKET FOR BUMPER	34	65282000	1	SOTTOSCOCCA ANT.	FRONT UNDER THE BODY SHELL
13	65282200	1	STAFFA SX. FISS. PARAURTI	L.H. FIXED BRACKET FOR BUMPER	35	65553900	1	GUARNIZIONE	GASKET
14	63214100	2	TAMPONE	PAD	36	10902624	6	VITE	SCREW
15	65372900	8	BOCCOLA	BUSHING	37	127494	6	ROSETTA	WASHER
16	63738800	2	PIASTRA	PLATE	38	12640624	6	ROSETTA	WASHER
17	65550100	1	SUPPORTO DX. -No per CDN-	R.H. SUPPORT -Not for CDN-	39	63874600	1	SUPPORTO DX.	R.H. SUPPORT
-	65810200	1	SUPPORTO DX. -Vale per CDN-	R.H. SUPPORT -Valid for CDN-	-	65808400	1	SUPPORTO SX.	L.H. SUPPORT
18	65550200	1	SUPPORTO SX. -No per CDN-	L.H. SUPPORT -Not for CDN-	40	102948	4	DADO	NUT
-	65810300	1	SUPPORTO SX. -Vale per CDN-	L.H. SUPPORT -Valid for CDN-	41	12643770	4	ROSETTA	WASHER
19	63215400	8	DISTANZIALE	SPACER	42	65287600	1	PARASASSI ANT. DX.	R.H. FRONT GRAVEL GUARD
20	15540624	4	VITE	SCREW	43	65287700	1	PARASASSI ANT. SX.	L.H. FRONT GRAVEL GUARD
21	10571974	4	ROSETTA	WASHER	44	62797700	2	TAPPO	PLUG
22	13578806	4	ROSETTA	WASHER	45	64517200	2	GUARNIZIONE	GASKET
23	63736400	1	PORTATARGA ANTERIORE "ITALIA" -No per CH, D e J-	FRONT PLATE FRAME "ITALIA" -Not for CH, D and J-	46	65288000	2	GUARNIZIONE	GASKET
-	65272400	1	PORTATARGA ANTERIORE -Vale per CH-	FRONT PLATE FRAME -Valid for CH-	47	65283200	2	STAFFA DX. FISS. LATERALE PARAURTI	BUMPER LATERAL FIXING R.H. BRACKET
-	63736300	1	PORTATARGA ANTERIORE "CEE" -Vale per D"	FRONT PLATE FRAME "CEE" -Valid for D-	48	65228800	2	PERNO	PIN
-	65272100	1	PORTATARGA ANTERIORE -Vale per J-	FRONT PLATE FRAME -Valid for J-	49	65228700	2	BOCCOLA	BUSHING
					50	12646970	2	ROSETTA	WASHER
					51	10902624	4	VITE	SCREW
					52	127494	4	ROSETTA	WASHER
					53	12640624	4	ROSETTA	WASHER
					54	65562100	1	STAFFA DX. FISS. PORTATARGA	R.H. BRACKET
					-	65562200	1	STAFFA SX. FISS. PORTATARGA	L.H. BRACKET
					55	15917777	4	VITE	SCREW



**456MGT/GTA**

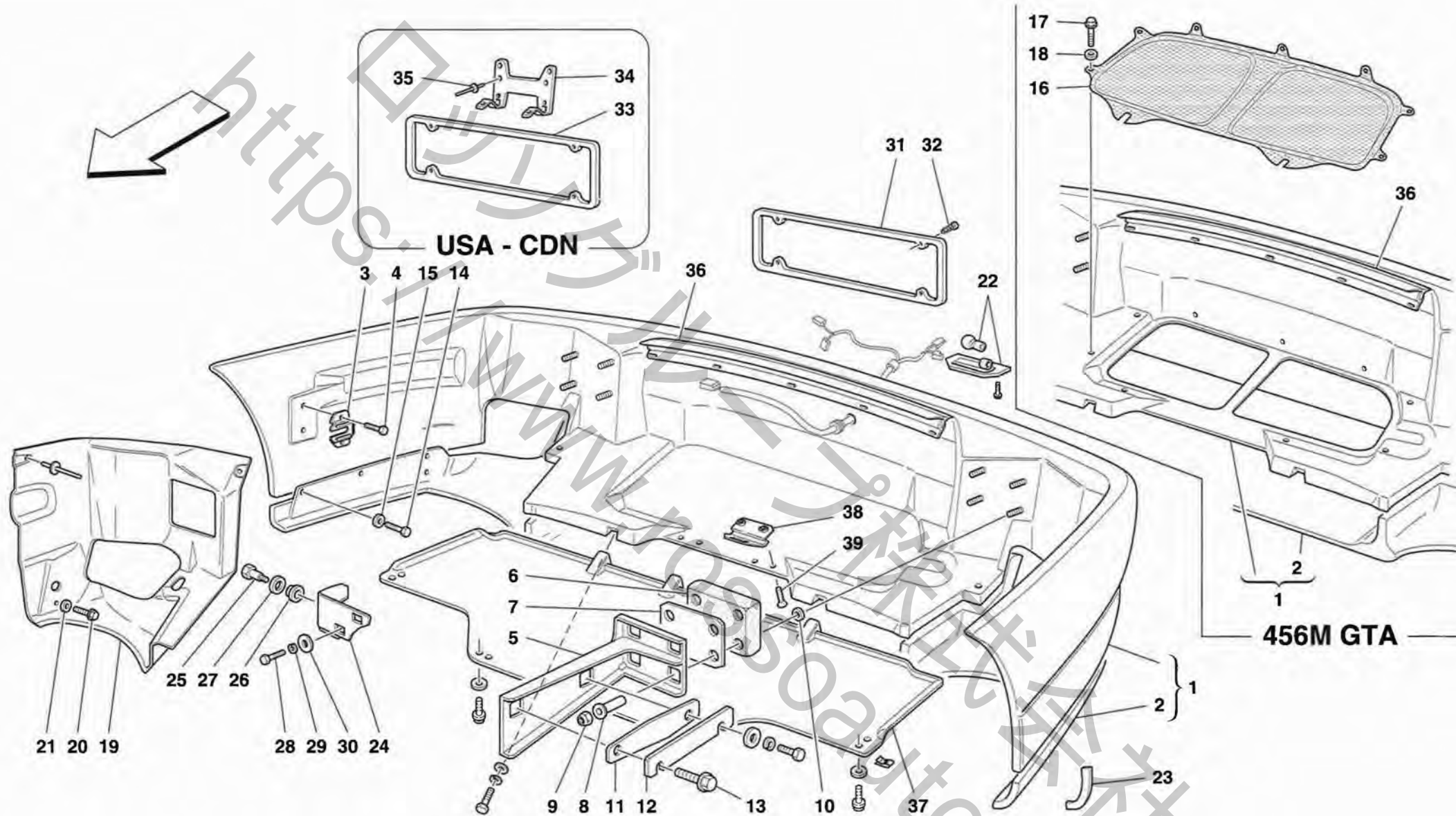
**PARAURTI ANTERIORE  
FRONT BUMPER**

**TAV. 105**

**DATA: OTTOBRE '98**

<i>Rif</i>	<i>Dis.N° Part.N°</i>	<i>Q.ty</i>	<i>Denominazione</i>	<i>Description</i>
56	14215480	4	MADREVITE	NUT SCREW
57	14296196	4	RIBATTINO	RIVET
58	65682200	1	CORNICE FARO SX.	L.H. LIGHT FRAME

<i>Rif</i>	<i>Dis.N° Part.N°</i>	<i>Q.ty</i>	<i>Denominazione</i>	<i>Description</i>
-	65682100	1	CORNICE FARO DX.	R.H. LIGHT FRAME
59	10977724	6	VITE	SCREW
60	12638124	6	ROSETTA	WASHER



**456MGT/GTA**

**PARAURTI POSTERIORE**  
**REAR BUMPER**

**TAV. 106**

DATA: OTTOBRE '98



Rif	Dis.N° Part.N°	Q.ty	Denominazione	Description	Rif	Dis.N° Part.N°	Q.ty	Denominazione	Description
1	65431910	1	PARAURTI POSTERIORE COMPLETO DI ALETTONE -No per 456M GTA- -No per USA e CDN-	COMPLETE REAR BUMPER WITH STABILIZER -Not for 456M GTA- -Not for USA and CDN-	12	65431700	2	PIASTRINA DISTANZIALE -Di eventuale montaggio-	SPACER PLATE -Possible fitting-
-	65444610	1	PARAURTI POSTERIORE COMPLETO DI ALETTONE -No per 456M GTA- -Vale per USA-	COMPLETE REAR BUMPER WITH STABILIZER -Not for 456M GTA- -Valid for USA-	13	15970721	2	VITE	SCREW
-	65553510	1	PARAURTI POSTERIORE COMPLETO DI ALETTONE -No per 456M GTA- -Vale per CDN-	COMPLETE REAR BUMPER WITH STABILIZER -Not for 456M GTA- -Valid for CDN-	14	10978521	8	VITE	SCREW
-	65444710	1	PARAURTI POSTERIORE COMPLETO DI ALETTONE -Vale per 456M GTA- -No per USA e CDN-	COMPLETE REAR BUMPER WITH STABILIZER -Valid for 456M GTA- -Not for USA and CDN-	15	12643724	8	ROSETTA	WASHER
-	65444810	1	PARAURTI POSTERIORE COMPLETO DI ALETTONE -Vale per 456M GTA- -Vale per USA-	COMPLETE REAR BUMPER WITH STABILIZER -Valid for 456M GTA- -Valid for USA-	16	65411100	1	GRIGLIA PRESA ARIA -Vale per 456M GTA-	AIR INTAKE GRILLE -Valid for 456M GTA-
-	65553610	1	PARAURTI POSTERIORE COMPLETO DI ALETTONE -Vale per 456M GTA- -Vale per CDN-	COMPLETE REAR BUMPER WITH STABILIZER -Valid for 456M GTA- -Valid for CDN-	17	10977624	7	VITE -Vale per 456M GTA-	SCREW -Valid for 456M GTA-
2	65411010	1	ALETTONE FISSO	FIXED STABILIZER	18	12637824	7	ROSETTA -Vale per 456M GTA-	WASHER -Valid for 456M GTA-
3	65282300	2	STAFFA	BRACKET	19	65575000	1	RIPARO CALORE POST. DX.	R.H. REAR HEAT SHIELD
4	16285127	4	VITE	SCREW	-	65575100	1	RIPARO CALORE POST. SX.	L.H. REAR HEAT SHIELD
5	65444300	1	STAFFA SOSTEGNO PARAURTI SX. -No per CDN-	L.H. BRACKET FOR BUMPER -Not for CDN-	20	10977624	10	VITE	SCREW
-	65810700	1	STAFFA SOSTEGNO PARAURTI SX. -Vale per CDN-	L.H. BRACKET FOR BUMPER -Valid for CDN-	21	12637824	10	ROSETTA	WASHER
-	65444200	1	STAFFA SOSTEGNO PARAURTI DX. -No per CDN-	R.H. BRACKET FOR BUMPER -Not for CDN-	22	175204	2	FANALE ILLUMINAZIONE TARGA CON LAMPADA	NUMBER PLATE LIGHT WITH LAMP
-	65810600	1	STAFFA SOSTEGNO PARAURTI DX. -Vale per CDN-	R.H. BRACKET FOR BUMPER -Valid for CDN-	23	64498600	1	PROTEZIONE PASSARUOTA POST. SX.	L.H. REAR WHEELHOUSE PROTECTION
6	63214100	2	TAMPONE	PAD	-	64498700	1	PROTEZIONE PASSARUOTA POST. DX.	R.H. REAR WHEELHOUSE PROTECTION
7	63738800	2	PIASTRA	PLATE	24	65236300	1	STAFFA DX.	R.H. BRACKET
8	65372900	8	BOCCOLA	BUSHING	-	65236000	1	STAFFA SX.	L.H. BRACKET
9	104114	8	DADO	NUT	25	65228800	2	PERNO	PIN
10	12646821	8	ROSETTA	WASHER	26	65228700	2	BOCCOLA	BUSHING
11	65444900	2	PIASTRINA	PLATE	27	12646901	2	ROSETTA	WASHER
					28	10902224	4	VITE	SCREW
					29	127494	4	ROSETTA	WASHER
					30	12640624	4	ROSETTA	WASHER
					31	65252700	1	CORNICE TARGA POST. -No per USA, CDN e J-	REAR NUMBER PLATE RIM -Not for USA, CDN and J-
					32	15688075	4	VITE -No per USA, CDN e J-	SCREW -Not for USA, CDN and J-
					33	60987900	1	CORNICE TARGA POST. -Vale per USA e CDN-	REAR NUMBER PLATE RIM -Valid for USA and CDN-
					34	64181600	1	PORTATARGA POSTERIORE -Vale per USA e CDN-	REAR PLATE FRAME -Valid for USA and CDN-
					35	62556300	4	RIVETTO -Vale per USA e CDN-	RIVET -Valid for USA and CDN-
					36	65469000	1	GUARNIZIONE	GASKET
					37	65411800	1	RIPARO CENTRALE -No per 456M GTA-	CENTRAL SHIELD -Not for 456M GTA-

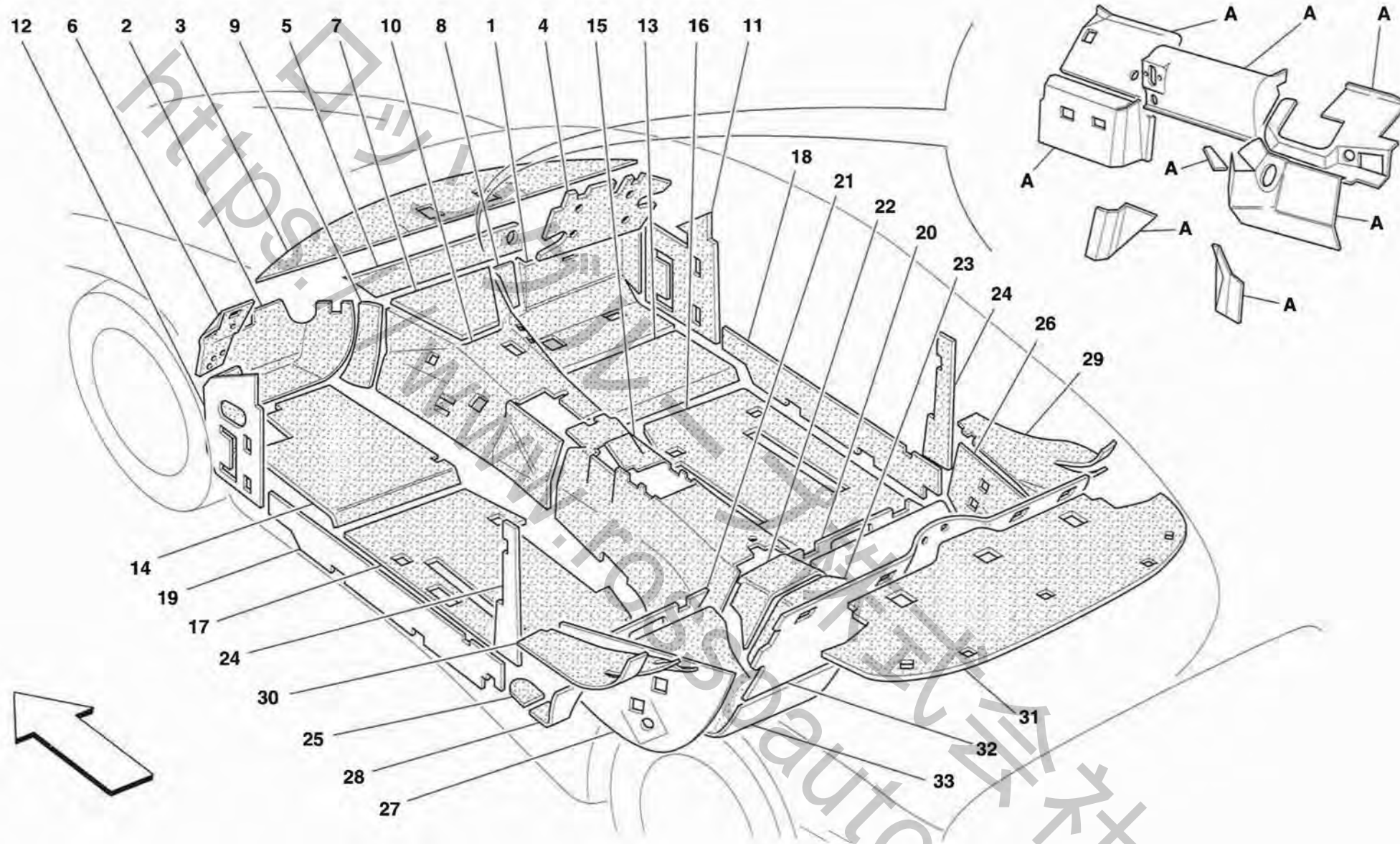


<i>Rif</i>	<i>Dis.N° Part.N°</i>	<i>Q.ty</i>	<i>Denominazione</i>	<i>Description</i>	<i>Rif</i>	<i>Dis.N° Part.N°</i>	<i>Q.ty</i>	<i>Denominazione</i>	<i>Description</i>
38	65652100	2	STAFFA FISSAGGIO RIPARO -No per 456M GTA-	BRACKET FOR SHIELD -Not for 456M GTA-	39	14440634	4	VITE -No per 456M GTA-	SCREW -Not for 456M GTA-





Rif	Dis.N° Part.N°	Q.ty	Denominazione	Description	Rif	Dis.N° Part.N°	Q.ty	Denominazione	Description
A	1000941	1	SERIE RIPARI PARAFIAMMA -No per GD-	BULK HEAT SHIELD SERIES -Not for GD-	-	65661200	1	RIPARO CALORE ZONA PEDALE ACCELERATORE	ACCELERATOR PEDAL SIDE HEAT SHIELD
-	1000957	1	SERIE RIPARI PARAFIAMMA -Vale per GD-	BULK HEAT SHIELD SERIES -Valid for GD-	10	65475300	1	INSONORIZZANTE TUNNEL ANT. -No per 456M GTA- -No per GD-	FRONT TUNNEL SILENCER -Not for 456M GTA- -Not for GD-
1	65675100	1	INSONORIZZANTE FRONTALE ZONA FUSIBILI -No per GD-	FUSES SIDE FRONTAL SILENCER -Not for GD-	-	65661500	1	INSONORIZZANTE TUNNEL ANT. -No per 456M GTA- -Vale per GD-	FRONT TUNNEL SILENCER -Not for 456M GTA- -Valid for GD-
-	65660900	1	INSONORIZZANTE FRONTALE ZONA FUSIBILI -Vale per GD-	FUSES SIDE FRONTAL SILENCER -Valid for GD-	-	65689000	1	INSONORIZZANTE TUNNEL ANT. -Vale per 456M GTA- -No per GD-	FRONT TUNNEL SILENCER -Valid for 456M GTA- -Not for GD-
2	65478300	1	INSONORIZZANTE FRONTALE ZONA PEDALIERA -No per GD-	PEDALS SIDE FRONTAL SILENCER -Not for GD-	-	65629800	1	INSONORIZZANTE TUNNEL ANT. -Vale per 456M GTA- -Vale per GD-	FRONT TUNNEL SILENCER -Valid for 456M GTA- -Valid for GD-
-	65661000	1	INSONORIZZANTE FRONTALE ZONA PEDALIERA -Vale per GD-	PEDALS SIDE FRONTAL SILENCER -Valid for GD-	11	65477800	1	INSONORIZZANTE LATERALE ANT. LATO PASSEGGERO -No per GD-	PASSENGER SIDE FRONT SILENCER -Not for GD-
3	65478400	1	INSONORIZZANTE CURVANO PARABREZZA	UNDER WINDSCREEN GLASS SILENCER	-	65660600	1	INSONORIZZANTE LATERALE ANT. LATO PASSEGGERO -Vale per GD-	PASSENGER SIDE FRONT SILENCER -Valid for GD-
4	65478000	1	INSONORIZZANTE FRONTALE CRUSCOTTO SUPERIORE -No per GD-	DASHBOARD UPPER FRONTAL SILENCER -Not for GD-	12	65477900	1	INSONORIZZANTE LATERALE ANT. LATO PILOTA -No per GD-	PILOT SIDE FRONT SILENCER -Not for GD-
-	65660800	1	INSONORIZZANTE FRONTALE CRUSCOTTO SUPERIORE -Vale per GD-	DASHBOARD UPPER FRONTAL SILENCER -Valid for GD-	-	65660700	1	INSONORIZZANTE LATERALE ANT. LATO PILOTA -Vale per GD-	PILOT SIDE FRONT SILENCER -Valid for GD-
5	65476800	1	INSONORIZZANTE FRONTALE ZONA CLIMATIZZATORE	AIR CONDITIONER FRONTAL SILENCER	13	65475700	1	INSONORIZZANTE PEDANA ANT. LATO PASSEGGERO -No per GD-	PASSENGER SIDE FRONT SILENCER -Not for GD-
6	65477300	1	INSONORIZZANTE SOTTOCRUSCOTTO SUPERIORE -No per GD-	UPPER UNDERDASHBOARD SILENCER -Not for GD-	-	65660300	1	INSONORIZZANTE PEDANA ANT. LATO PASSEGGERO -Vale per GD-	PASSENGER SIDE FRONT SILENCER -Valid for GD-
-	65661600	1	INSONORIZZANTE SOTTOCRUSCOTTO SUPERIORE -Vale per GD-	UPPER UNDERDASHBOARD SILENCER -Valid for GD-	14	65475600	1	INSONORIZZANTE PEDANA ANT. LATO PILOTA -No per GD-	PILOT SIDE FRONT SILENCER -Not for GD-
7	65475200	1	INSONORIZZANTE TUNNEL ANT.	TUNNEL FRONT SILENCER	-	65660200	1	INSONORIZZANTE PEDANA ANT. LATO PILOTA -Vale per GD-	PILOT SIDE FRONT SILENCER -Valid for GD-
8	65478500	1	INSONORIZZANTE LATERALE TUNNEL ANT. PASSEGGERO -No per GD-	TUNNEL FRONT PASSENGER SIDE SILENCER -Not for GD-	15	65688900	1	INSONORIZZANTE TUNNEL CENTRALE -No per GD-	CENTRAL TUNNEL SILENCER -Not for GD-
-	65661100	1	INSONORIZZANTE LATERALE TUNNEL ANT. -Vale per GD-	TUNNEL FRONT SIDE SILENCER -Valid for GD-					
9	63495500	1	RIPARO CALORE ZONA PEDALE ACCELERATORE -No per GD-	ACCELERATOR PEDAL SIDE HEAT SHIELD -Not for GD-					



**456MGT/GTA**

**ISOLAMENTI ABITACOLO E VANO MOTORE**

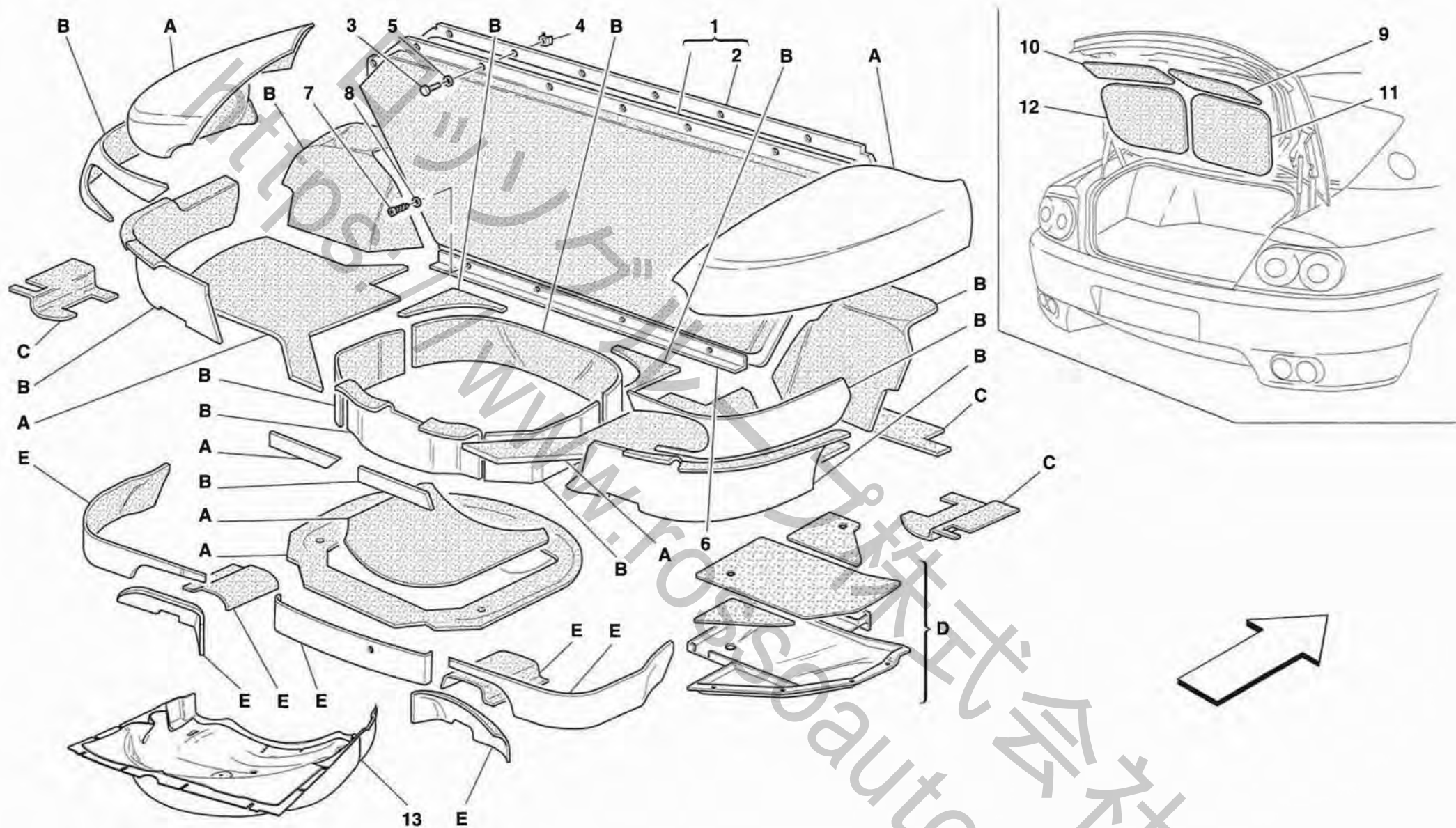
**PASSENGERS COMPARTMENT AND ENGINE COMPARTMENT INSULATIONS**

**TAV. 107**

**DATA: OTTOBRE '98**

Rif	Dis.N° Part.N°	Q.ty	Denominazione	Description	Rif	Dis.N° Part.N°	Q.ty	Denominazione	Description
-	65661400	1	INSONORIZZANTE TUNNEL CENTRALE -Vale per 456M GT GD-	CENTRAL TUNNEL SILENCER -Valid for 456M GT GD-	20	65477400	1	INSONORIZZANTE SEDILE POST. LATO PASSEGGERO	PASSENGER SIDE REAR SEAT SILENCER
-	65661300	1	INSONORIZZANTE TUNNEL CENTRALE -Vale per 456M GTA GD-	CENTRAL TUNNEL SILENCER -Valid for 456M GTA GD-	21	65477500	1	INSONORIZZANTE SEDILE POST. LATO PILOTA	PILOT SIDE REAR SEAT SILENCER
16	65475400	1	INSONORIZZANTE PEDANA CENTRALE LATO PASSEGGERO -No per GD-	PASSENGER SIDE CENTRAL SILENCER -Not for GD-	22	65474900	1	INSONORIZZANTE TUNNEL POST. CENTRALE	REAR CENTRAL TUNNEL SILENCER
-	65629900	1	INSONORIZZANTE PEDANA CENTRALE LATO PASSEGGERO -Vale per GD-	PASSENGER SIDE CENTRAL SILENCER -Valid for GD-	23	65474600	1	INSONORIZZANTE TUNNEL POST.	REAR TUNNEL SILENCER
17	65475500	1	INSONORIZZANTE PEDANA CENTRALE LATO PILOTA -No per GD-	PILOT SIDE CENTRAL SILENCER -Not for GD-	24	65476000	2	INSONORIZZANTE MONTANTE INTERNO SUPERIORE	UPPER INNER CROSSMEMBER SILENCER
-	65660100	1	INSONORIZZANTE PEDANA CENTRALE LATO PILOTA -Vale per GD-	PILOT SIDE CENTRAL SILENCER -Valid for GD-	25	65475800	2	INSONORIZZANTE MONTANTE INTERNO INFERIORE	LOWER INNER CROSSMEMBER SILENCER
18	65477100	1	INSONORIZZANTE BRANCARDO LATO PASSEGGERO -No per GD-	PASSENGER SIDE CROSSMEMBER SILENCER -Not for GD-	26	65477000	1	INSONORIZZANTE FIANCHETTO POST. LATO PASSEGGERO	PASSENGER SIDE REAR MOULDING SILENCER
-	65660400	1	INSONORIZZANTE BRANCARDO LATO PASSEGGERO -Vale per GD-	PASSENGER SIDE CROSSMEMBER SILENCER -Valid for GD-	27	65476900	1	INSONORIZZANTE FIANCHETTO POST. LATO PILOTA	PILOT SIDE REAR MOULDING SILENCER
19	65477200	1	INSONORIZZANTE BRANCARDO LATO PILOTA -No per GD-	PILOT SIDE CROSSMEMBER SILENCER -Not for GD-	28	65476300	1	INSONORIZZANTE INTERNO PASSARUOTA POST. LATO PILOTA	PILOT SIDE REAR WHEELHOUSE INNER SILENCER
-	65660500	1	INSONORIZZANTE BRANCARDO LATO PILOTA -Vale per GD-	PILOT SIDE CROSSMEMBER SILENCER -Valid for GD-	-	65476200	1	INSONORIZZANTE INTERNO PASSARUOTA POST. LATO PASSEGGERO	PASSENGER SIDE REAR WHEELHOUSE INNER SILENCER
					29	65474700	1	INSONORIZZANTE PASSARUOTA POST. LATO PASSEGGERO	PASSENGER SIDE REAR WHEELHOUSE SILENCER
					30	65474800	1	INSONORIZZANTE PASSARUOTA POST. LATO PILOTA	PILOT SIDE REAR WHEELHOUSE SILENCER
					31	65806800	1	INSONORIZZANTE SOTTOLUNOTTO	UNDER REARWINDOW SILENCER
					32	65474300	1	INSONORIZZANTE SCHIENALE	SEAT BACK SILENCER
					33	65474500	1	INSONORIZZANTE SOTTOSEDILE POST. LATO PILOTA	PILOT SIDE REAR UNDER SEAT SILENCER
					-	65474400	1	INSONORIZZANTE SOTTOSEDILE POST. LATO PASSEGGERO	PASSENGER SIDE REAR UNDER SEAT SILENCER





**456MGT/GTA**

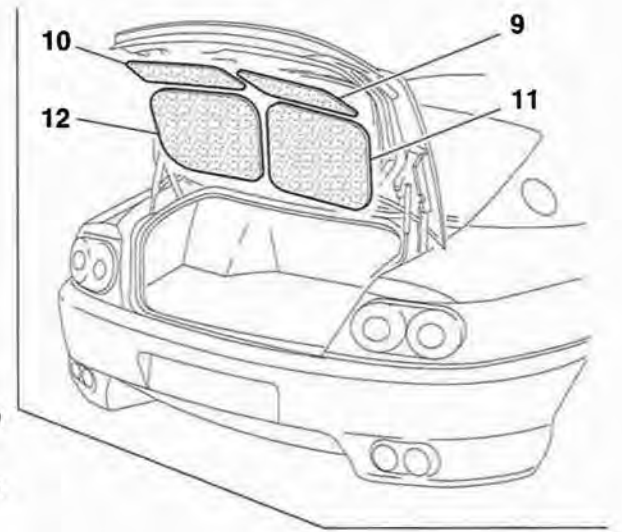
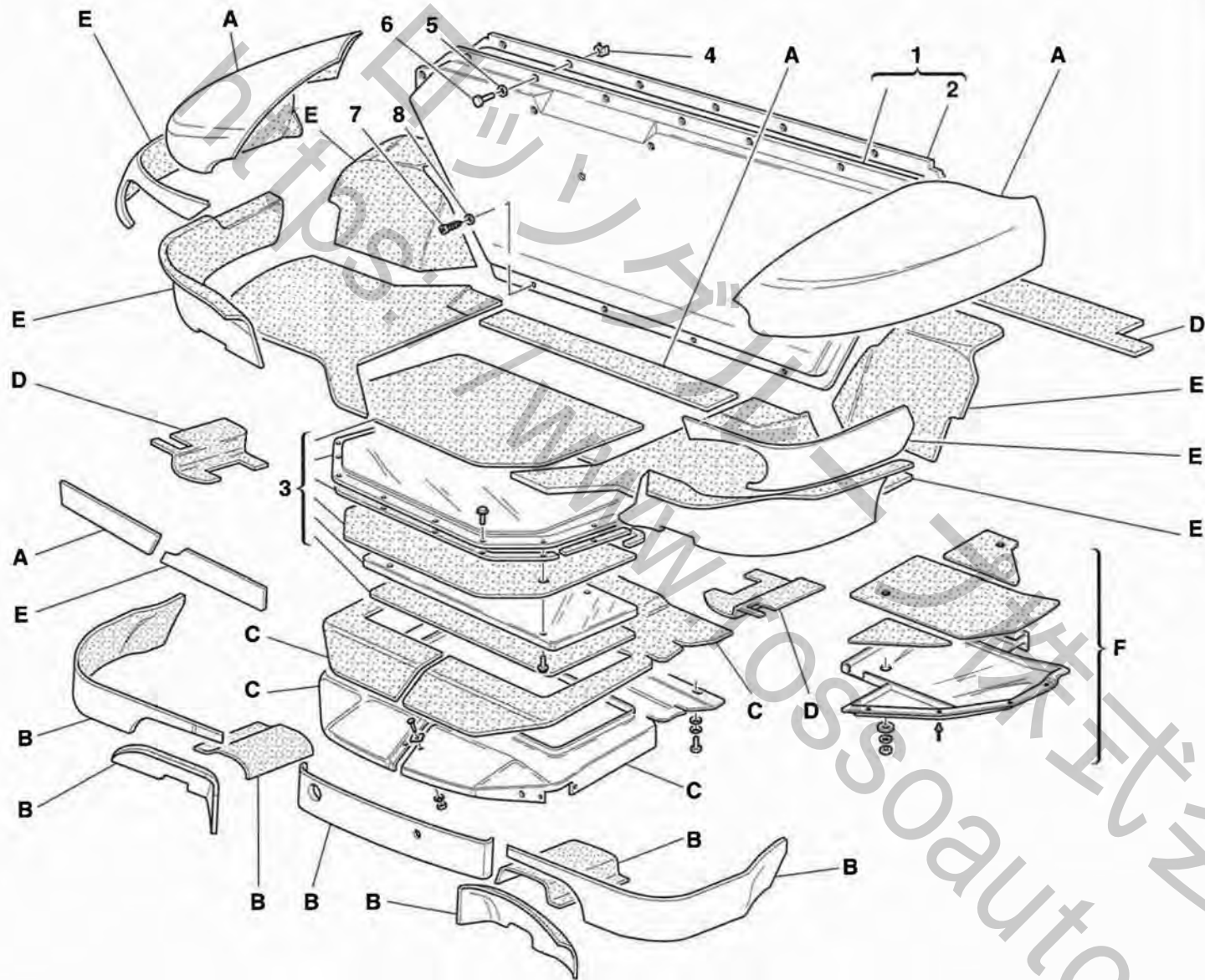
ISOLAMENTI VANO BAULE -No per 456M GTA-  
 TRUNK HOOD INSULATIONS -Not for 456M GTA-

TAV. 108

DATA: OTTOBRE '98



Rif	Dis.N° Part.N°	Q.ty	Denominazione	Description	Rif	Dis.N° Part.N°	Q.ty	Denominazione	Description
1	63854900	1	PARATIA TRA BAULE E SERBATOIO BENZINA	SHIELD FOR LUGGAGE COMPARTMENT AND FUEL TANK	12	63495100	1	RIPARO CALORE INFERIORE SX.	L.H. LOWER HEAT SHIELD
2	63761800	1	GUARNIZIONE	GASKET	13	63938600	1	RIPARO CALORE RUOTA SCORTA	SPARE WHEEL HEAT SHIELD
3	10902821	17	VITE	SCREW	A	65670600	1	SERIE ISOLANTI VANO BAULE	TRUNK BOTTOM INSULATIONS SERIES
4	65774200	17	DADO CON GABBIA	NUT WITH CAGE	B	63493500	1	SERIE RIPARI CALORE	HEAT SHIELD SERIES
5	12647701	17	ROSETTA	WASHER	C	64055000	1	SERIE RIPARI SERBATOIO-RUOTA DI SCORTA	TANK- SPARE WHEEL SHIELD SERIES
6	63853500	1	ANGOLARE	ANGLE PIECE	D	65809600	1	RIPARO CALORE SX. PIANETTO BAULE	L.H. BOOT HEAT SHIELD
7	15687275	3	VITE	SCREW	-	65809400	1	RIPARO CALORE DX. PIANETTO BAULE	R.H. BOOT HEAT SHIELD
8	12642878	3	ROSETTA	WASHER	E	63496300	1	SERIE RIPARI CALORE COLLEGATORE POST.	REAR HEAT SHIELD SERIES
9	63494800	1	RIPARO CALORE SUPERIORE DX.	R.H. UPPER HEAT SHIELD					
10	63494900	1	RIPARO CALORE SUPERIORE SX.	L.H. UPPER HEAT SHIELD					
11	63495000	1	RIPARO CALORE INFERIORE DX.	R.H. LOWER HEAT SHIELD					



**456MGT/GTA**

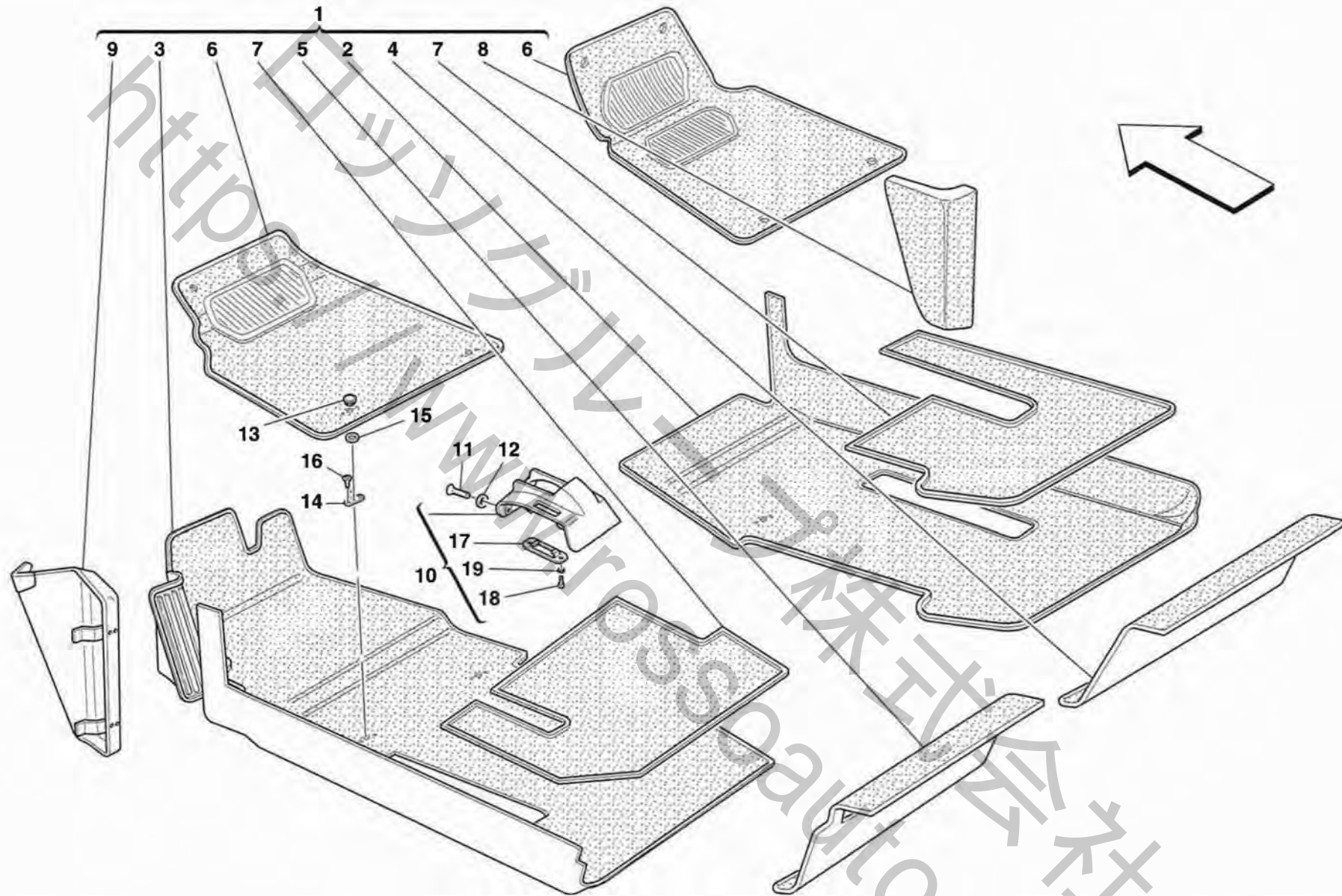
**ISOLAMENTI VANO BAULE -Vale per 456M GTA-**  
**TRUNK HOOD INSULATIONS -Valid for 456M GTA-**

**TAV. 109**

DATA: OTTOBRE '98

Rif	Dis.N° Part.N°	Q.ty	Denominazione	Description
1	65806900	1	PARATIA TRA BAULE E SERBATOIO BENZINA	SHIELD FOR LUGGAGE COMPARTMENT AND FUEL TANK
2	63761800	1	GUARNIZIONE	GASKET
3	65773000	1	COPERCHIO BAULE	COVER FOR LUGGAGE COMPARTMENT
4	65774200	17	DADO CON GABBIA	NUT WITH CAGE
5	12647701	17	ROSETTA	WASHER
6	10902821	17	VITE	SCREW
7	15687275	3	VITE	SCREW
8	12642878	3	ROSETTA	WASHER
9	63494800	1	RIPARO CALORE SUPERIORE DX.	R.H. UPPER HEAT SHIELD
10	63494900	1	RIPARO CALORE SUPERIORE SX.	L.H. UPPER HEAT SHIELD
11	63495000	1	RIPARO CALORE INFERIORE DX.	R.H. LOWER HEAT SHIELD

Rif	Dis.N° Part.N°	Q.ty	Denominazione	Description
12	63495100	1	RIPARO CALORE INFERIORE SX.	L.H. LOWER HEAT SHIELD
A	65418900	1	SERIE RIPARI CALORE	HEAT SHIELD SERIES
B	64090300	1	SERIE RIPARI CALORE	HEAT SHIELD SERIES
C	64721700	1	SERIE RIPARI CALORE	HEAT SHIELD SERIES
D	64055000	1	SERIE RIPARI SERBATOIO/RUOTA DI SCORTA	TANK/SPARE WHEEL SHIELD SERIES
E	64721500	1	SERIE RIPARI CALORE	HEAT SHIELD SERIES
F	65809600	1	RIPARO CALORE SX. PIANETTO BAULE	L.H. BOOT HEAT SHIELD
-	65809400	1	RIPARO CALORE DX. PIANETTO BAULE	R.H. BOOT HEAT SHIELD



**456MGT/GTA**

*RIVESTIMENTI E TAPPETI ABITACOLO*

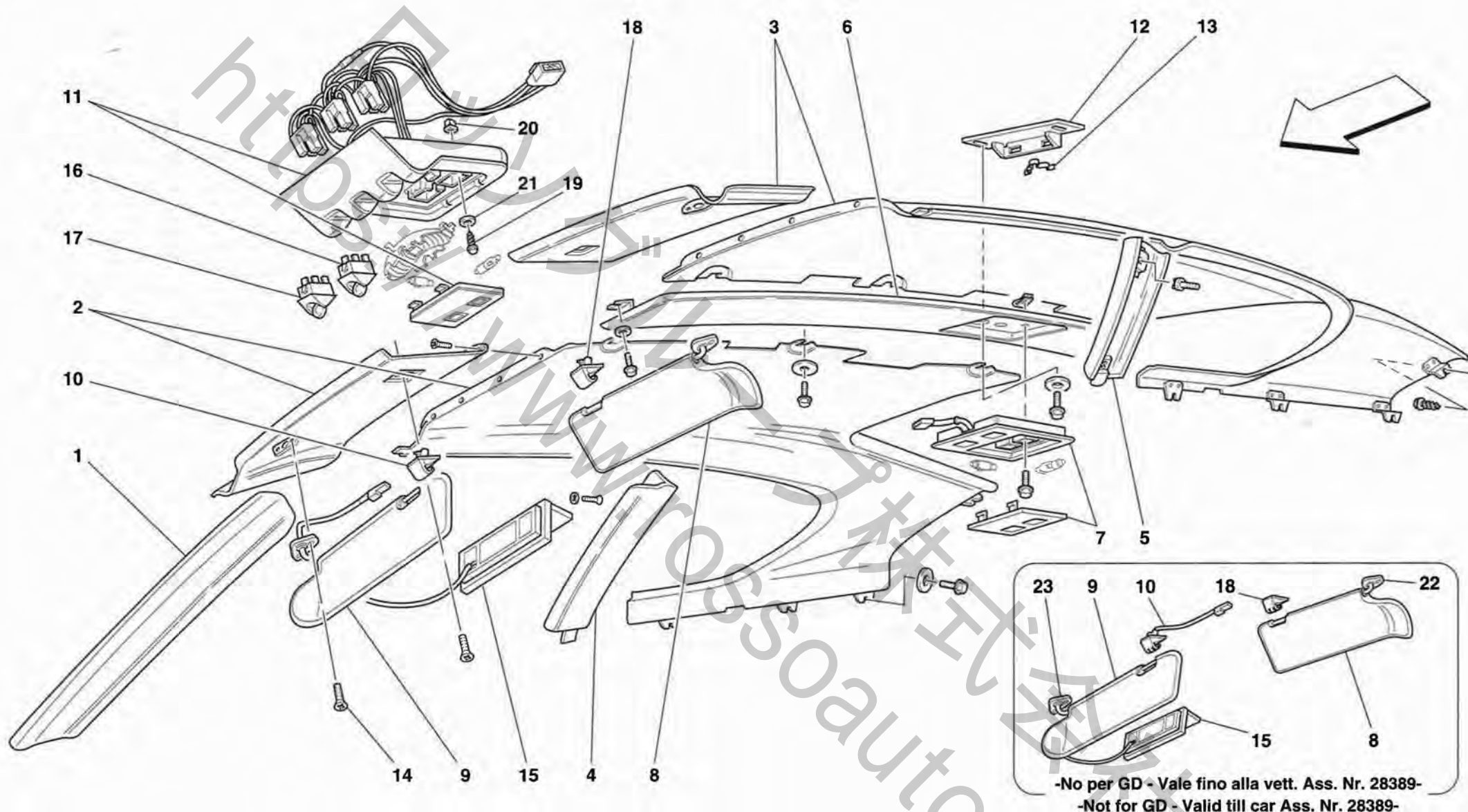
*PASSENGERS COMPARTMENT UPHOLSTERY AND CARPETS*

**TAV. 110**

DATA: OTTOBRE '98



Rif	Dis.N° Part.N°	Q.ty	Denominazione	Description	Rif	Dis.N° Part.N°	Q.ty	Denominazione	Description
1	654408..	1	SERIE COMPLETA TAPPETI -No per GD-	COMPLETE CARPET SERIES -Not for GD-	9	654338..	1	TAPPETO RICOPRIMENTO CENTRALINA SX.	L.H. CENTRAL UNIT COVERING CARPET
-	656632..	1	SERIE COMPLETA TAPPETI -Vale per GD-	COMPLETE CARPET SERIES -Valid for GD-	-	656637..	1	TAPPETO RICOPRIMENTO CENTRALINA SX.	L.H. CENTRAL UNIT COVERING CARPET
2	—	1	TAPPETO LATO PASSEGGERO -Non a ricambio-	PASSENGER SIDE CARPET -Not as spare part-	10	655625..	1	COPERTURA FRENO A MANO RIVESTITA	UPHOLSTERED MOULDING FOR HAND BRAKE COVER
3	—	1	TAPPETO LATO PILOTA -Con la serie completa tappeti-	DRIVER SIDE CARPET -With complete carpet series-	-	655629..	1	RIVESTIMENTO	LINING
4	—	1	TAPPETO POSTERIORE DX. -Non a ricambio-	R.H. REAR CARPET -Not as spare part-	-	655630..	1	COPERTURA FRENO A MANO RIVESTITA	UPHOLSTERED MOULDING FOR HAND BRAKE COVER
5	—	1	TAPPETO POSTERIORE SX. -Con la serie completa tappeti-	L.H. REAR CARPET -With complete carpet series-	-	655631..	1	RIVESTIMENTO	LINING
6	658302..	1	TAPPETI MOBILI ANTERIORI -Non a ricambio-	FRONT MOVABLE CARPETS -Not for GD-	11	15691370	2	VITE	SCREW
-	658303..	1	TAPPETI MOBILI ANTERIORI -Vale per GD-	FRONT MOVABLE CARPETS -Valid for GD-	12	62768300	2	ROSETTA	WASHER
7	658304..	1	TAPPETI MOBILI POSTERIORI -Non a ricambio-	REAR MOVABLE CARPETS -Not for GD-	13	63698300	7	ANELLO SUPERIORE	UPPER RING
-	658305..	1	TAPPETI MOBILI POSTERIORI -Vale per GD-	REAR MOVABLE CARPETS -Valid for GD-	14	63698100	7	PIASTRINO	SMALL PLATE
8	654335..	1	TAPPETO RICOPRIMENTO CENTRALINA DX -No per GD-	R.H. CENTRAL UNIT COVERING CARPET -Not for GD-	15	63698200	7	ANELLO INFERIORE	LOWER RING
-	656636..	1	TAPPETO RICOPRIMENTO CENTRALINA DX. -Vale per GD-	R.H. CENTRAL UNIT COVERING CARPET -Valid for GD-	16	15687375	14	VITE	SCREW
					17	65562600	1	LAMIERINO	PLATE
					18	15901501	2	VITE	SCREW
					19	14496101	2	ROSETTA	WASHER
					<p>PER I CODICI DEI PARTICOLARI RIVESTITI IN PELLE E PER LE SERIE COMPLETE DEI TAPPETI MOQUETTE VEDI TAVOLA APPOSITA.</p> <p>SEE RELEVANT TABLE FOR CODES OF PARTS COVERED IN LEATHER AND FOR THE COMPLETE SERIES OF MOQUETTE CARPETS.</p>				



**456MGT/GTA**

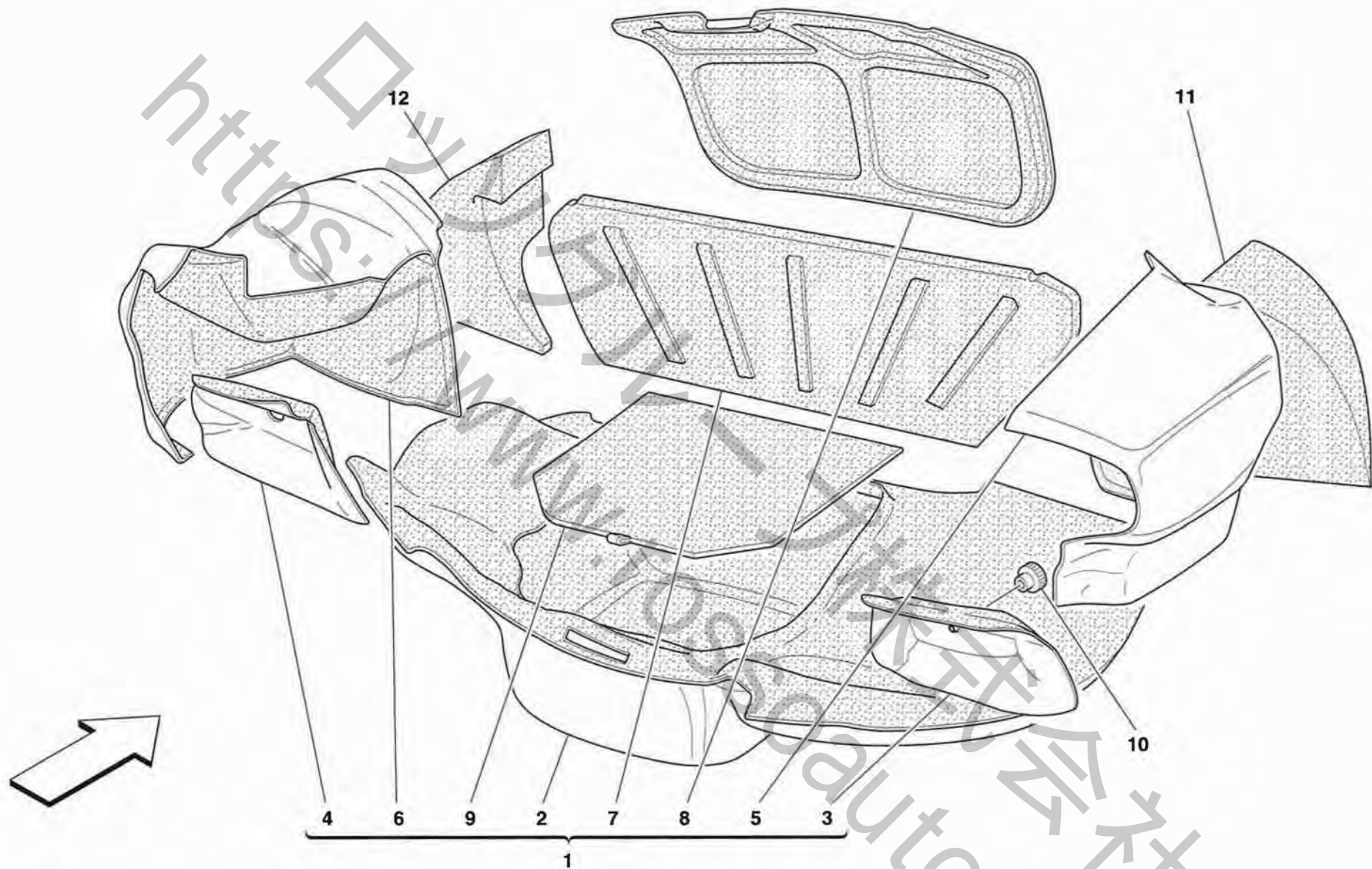
**RIVESTIMENTI E ACCESSORI PADIGLIONE**  
**ROOF PANEL UPHOLSTERY AND ACCESSORIES**

**TAV. 111**

DATA: OTTOBRE '98

Rif	Dis.N° Part.N°	Q.ty	Denominazione	Description	Rif	Dis.N° Part.N°	Q.ty	Denominazione	Description
1	655647..	1	MODANATURA COPRIMONTANTE ANTERIORE DX. RIVESTITA	COVERED FRONT R.H. POST COVERING MOLDING	-	656508..	1	PANTINA PARASOLE DX.	R.H. SUN VISOR
-	655648..	1	RIVESTIMENTO DX.	R.H. LINING	-			<b>-No per GD-</b>	<b>-Not for GD-</b>
-	655650..	1	MODANATURA COPRIMONTANTE ANTERIORE SX. RIVESTITA	COVERED FRONT L.H. POST COVERING MOLDING	-	656591..	1	PANTINA PARASOLE DX.	R.H. SUN VISOR
-	655686..	1	RIVESTIMENTO SX.	L.H. LINING	-			<b>-Vale dalla vett. Ass. Nr. 28390-</b>	<b>-Valid from car Ass. Nr. 28390-</b>
2	655658..	1	MODANATURA PADIGLIONE E PINNA DX. RIVESTITA	COVERED R.H. MOLDING FOR ROOF AND FIN	10	63865600	1	TASSELLO IN GOMMA LATO PASSEGGERO	PASSENGER SIDE RUBBER PAD
-	655720..	1	RIVESTIMENTO DX.	R.H. LINING	-			<b>-Vale per GD-</b>	<b>-Valid for GD-</b>
3	655662..	1	MODANATURA PADIGLIONE E PINNA SX. RIVESTITA	COVERED L.H. MOLDING FOR ROOF AND FIN	-	64051600	1	TASSELLO IN GOMMA LATO PASSEGGERO	PASSENGER SIDE RUBBER PAD
-	655729..	1	RIVESTIMENTO SX.	L.H. LINING	-			<b>-Vale fino alla vett. Ass. Nr. 28389 GS-</b>	<b>-Valid till car Ass. Nr. 28389 GS-</b>
4	655652..	1	MODANATURA COPRIMONTANTE CENTRALE DX. RIVESTITA	COVERED CENTRAL R.H. COVERING MOLDING	-			<b>-Vale dalla vett. Ass. Nr. 28390 GS-</b>	<b>-Valid from car Ass. Nr. 28390 GS-</b>
-	655687..	1	RIVESTIMENTO DX.	R.H. LINING	-			<b>-Vale per GD-</b>	<b>-Valid for GD-</b>
5	655655..	1	MODANATURA COPRIMONTANTE CENTRALE SX. RIVESTITA	COVERED CENTRAL L.H. COVERING MOLDING	11	174798	1	PLAFONIERA ANTERIORE ABITACOLO	FRONT DOME LAMP
-	655688..	1	RIVESTIMENTO SX.	L.H. LINING	12	65295600	1	STAFFA	BRACKET
6	656516..	1	MODANATURA CENTRALE PADIGLIONE RIVESTITA	COVERED CENTRAL MOLDING FOR ROOF	13	64576700	2	MOLLETTA	CLIP
-			<b>-No per USA, CDN e GD-</b>	<b>-Not for USA, CDN and GD-</b>	14	13299777	6	VITE	SCREW
-	656517..	1	RIVESTIMENTO	LINING	15	63865700	1	SPECCHIO DI CORTESIA	COURTESY MIRROR
-			<b>-No per USA, CDN e GD-</b>	<b>-Not for USA, CDN and GD-</b>	16	171084	2	INTERRUTTORE LUCE SPOT	SPOT LIGHT SWITCH
-	653521..	1	MODANATURA CENTRALE PADIGLIONE RIVESTITA	COVERED CENTRAL MOLDING FOR ROOF	17	171083	1	INTERRUTTORE COMANDO PLAFONIERA	SWITCH FOR ROOF LIGHT
-			<b>-Vale per USA, CDN e GD-</b>	<b>-Valid for USA, CDN and GD-</b>	18	64051600	1	TASSELLO IN GOMMA LATO PILOTA	DRIVER SIDE RUBBER PAD
-	638662..	1	RIVESTIMENTO	LINING	19	15782601	3	VITE	SCREW
-			<b>-Vale per USA, CDN e GD-</b>	<b>-Valid for USA, CDN and GD-</b>	20	14115580	3	BLOCCHETTO	BLOCK
7	174801	1	PLAFONIERA POSTERIORE ABITACOLO	REAR DOME LAMP	21	14496204	3	ROSETTA	WASHER
8	637545..	1	PANTINA PARASOLE SX.	L.H. SUN VISOR	22	63756900	1	STAFFA SX. FISS. PANTINA	L.H. BRACKET FOR SUN SCREEN
-			<b>-No per GD-</b>	<b>-Not for GD-</b>	-			<b>-No per GD-</b>	<b>-Not for GD-</b>
-			<b>-Vale fino alla vett. Ass. Nr. 28389-</b>	<b>-Valid till car Ass. Nr. 28389-</b>	-			<b>-Vale fino alla vett. Ass. Nr. 28389-</b>	<b>-Valid till car Ass. Nr. 28389-</b>
-	656510..	1	PANTINA PARASOLE SX.	L.H. SUN VISOR	23	63756800	1	STAFFA DX. FISS. PANTINA	R.H. BRACKET FOR SUN SCREEN
-			<b>-No per GD-</b>	<b>-Not for GD-</b>	-			<b>-No per GD-</b>	<b>-Not for GD-</b>
-			<b>-Vale dalla vett. Ass. Nr. 28390-</b>	<b>-Valid from car Ass. Nr. 28390-</b>	-			<b>-Vale fino alla vett. Ass. Nr. 28389-</b>	<b>-Valid till car Ass. Nr. 28389-</b>
-	656592..	1	PANTINA PARASOLE SX.	L.H. SUN VISOR	<p>PER I CODICI DEI PARTICOLARI RIVESTITI IN PELLE E PER LE SERIE COMPLETE DEI TAPPETI MOQUETTE VEDI TAVOLA APPOSITA.</p> <p>SEE RELEVANT TABLE FOR CODES OF PARTS COVERED IN LEATHER AND FOR THE COMPLETE SERIES OF MOQUETTE CARPETS.</p>				
-			<b>-Vale per GD-</b>	<b>-Valid for GD-</b>					
9	637544..	1	PANTINA PARASOLE DX.	R.H. SUN VISOR					
-			<b>-No per GD-</b>	<b>-Not for GD-</b>					
-			<b>-Vale fino alla vett. Ass. Nr. 28389-</b>	<b>-Valid till car Ass. Nr. 28389-</b>					





**456MGT/GTA**

*RIVESTIMENTI VANO BAULE -No per 456M GTA-  
TRUNK HOOD UPHOLSTERY -Not for 456M GTA-*

**TAV. 112**

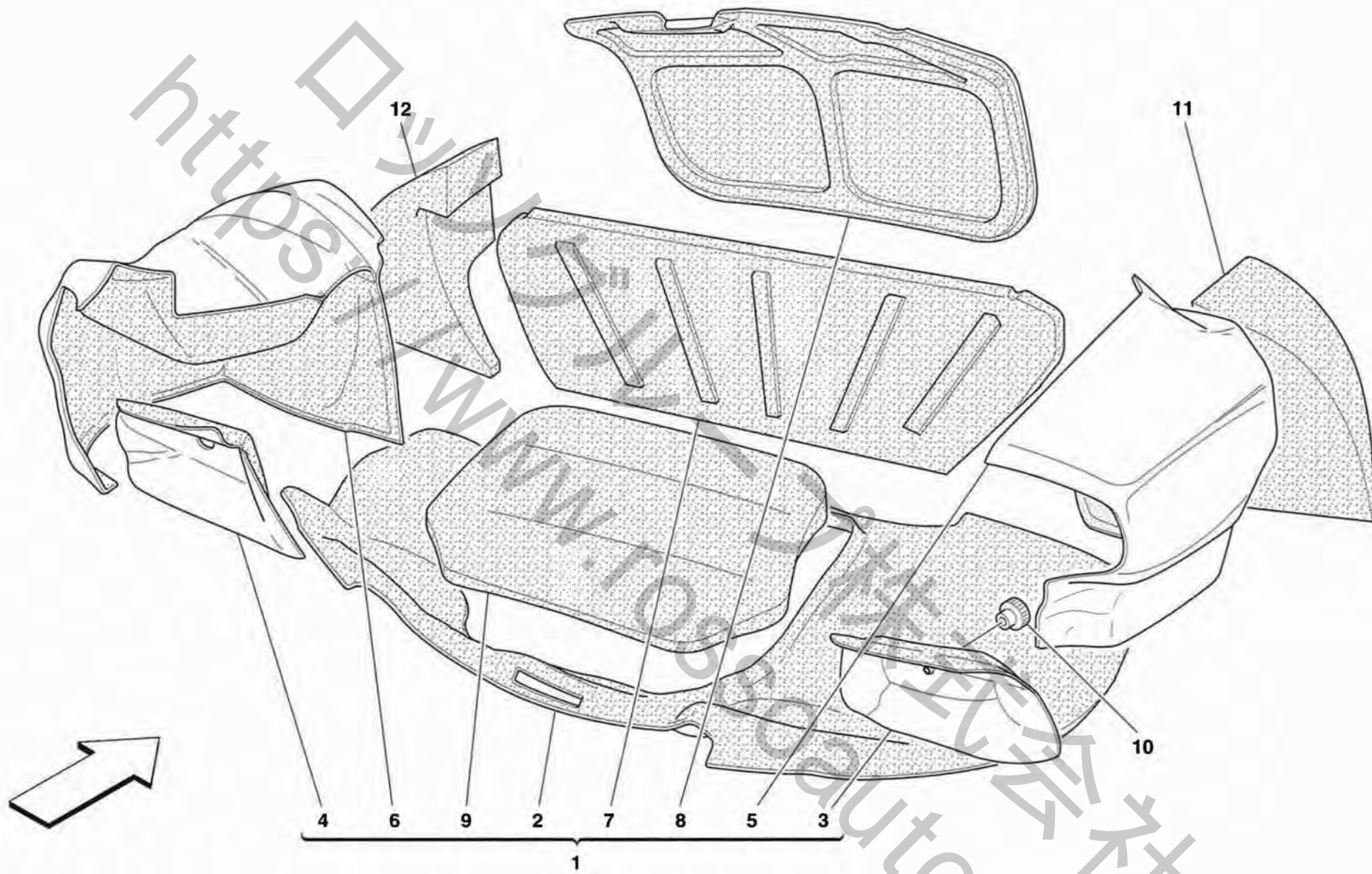
DATA: OTTOBRE '98



<i>Rif</i>	<i>Dis.N° Part.N°</i>	<i>Q.ty</i>	<i>Denominazione</i>	<i>Description</i>
1	654686..	1	<b>SERIE COMPLETA TAPPETI BAULE</b>	<b>TRUNK BOTTOM COMPLETE CARPET KIT</b>
2	656717..	1	TAPPETO FONDO BAULE	TRUNK BOTTOM CARPET
3	656720..	1	TAPPETO COPRIFANALE DX.	R.H. CARPET FOR REAR LIGHT
4	656721..	1	TAPPETO COPRIFANALE SX.	L.H. CARPET FOR REAR LIGHT
5	656718..	1	TAPPETO PASSARUOTA DX.	R.H. WHEEL PROTECTION CARPET
6	656719..	1	TAPPETO PASSARUOTA SX.	L.H. WHEEL PROTECTION CARPET
7	656722..	1	TAPPETO PARETE DIVISIONALE	TRUNK WALL CARPET
8	656724..	1	TAPPETO SU COFANO POST.	REAR HOOD CARPET
9	656723..	1	RICOPRIMENTO VANO RUOTA DI SCORTA	SPARE WHEEL TRUNK COVER

<i>Rif</i>	<i>Dis.N° Part.N°</i>	<i>Q.ty</i>	<i>Denominazione</i>	<i>Description</i>
10	62931000	2	MANOPOLA	KNOB
11	65650100	1	INSONORIZZANTE SOPRAPASSARUOTA DX.	R.H. WHEELHOUSE SILENCER
12	65650200	1	INSONORIZZANTE SOPRAPASSARUOTA SX.	L.H. WHEELHOUSE SILENCER

PER I CODICI DEI PARTICOLARI RIVESTITI IN PELLE E PER LE SERIE COMPLETE DEI TAPPETI MOQUETTE VEDI TAVOLA APPOSITA. SEE RELEVANT TABLE FOR CODES OF PARTS COVERED IN LEATHER AND FOR THE COMPLETE SERIES OF MOQUETTE CARPETS.



**456MGT/GTA**

*RIVESTIMENTI VANO BAULE -Vale per 456M GTA-*  
*TRUNK HOOD UPHOLSTERY -Valid for 456M GTA-*

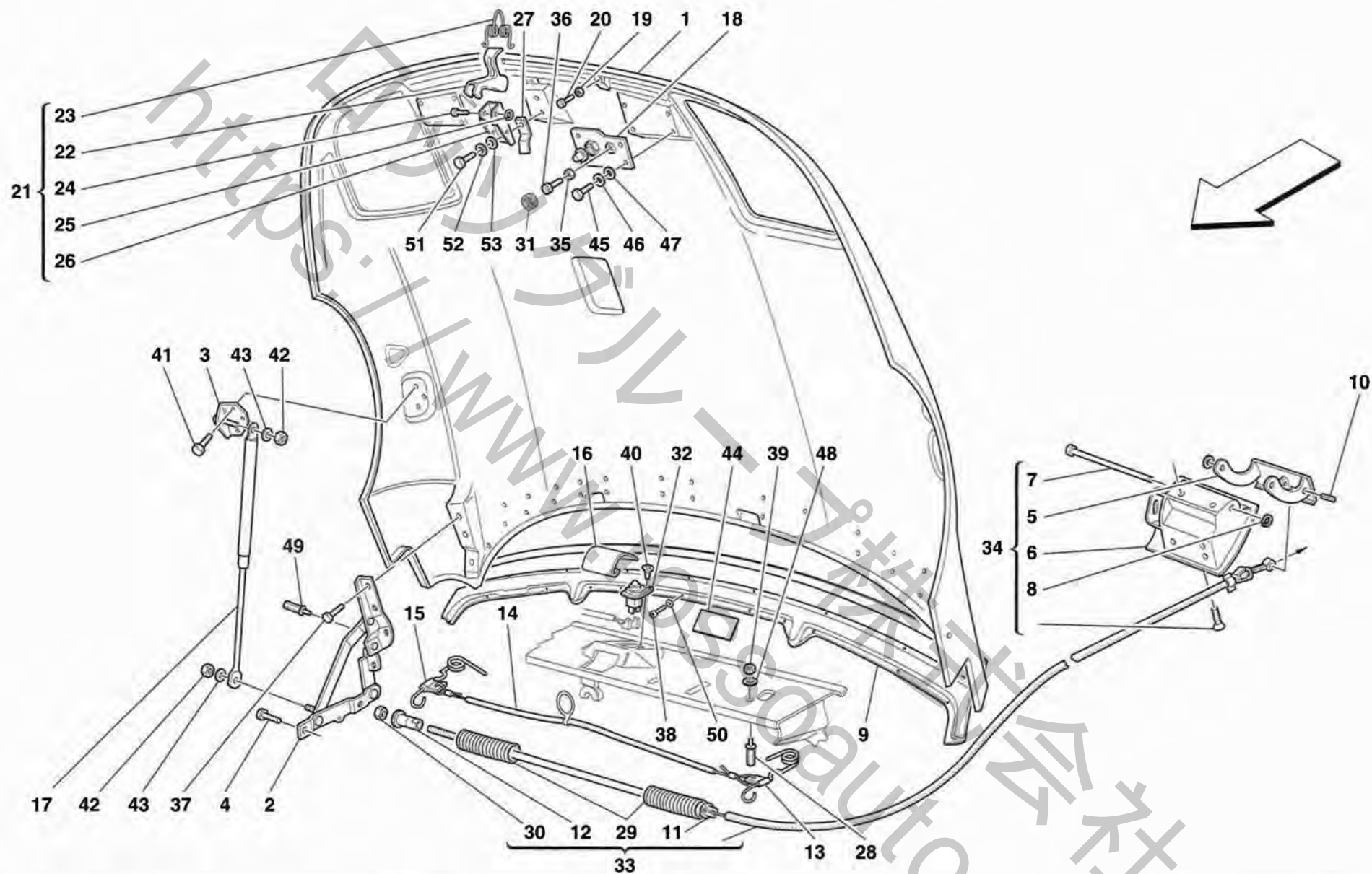
**TAV. 113**

DATA: OTTOBRE '98

Rif	Dis.N° Part.N°	Q.ty	Denominazione	Description
1	654687..	1	<b>SERIE COMPLETA TAPPETI BAULE</b>	<b>TRUNK BOTTOM COMPLETE CARPET KIT</b>
2	654190..	1	TAPPETO FONDO BAULE	TRUNK BOTTOM CARPET
3	656720..	1	TAPPETO COPRIFANALE DX.	R.H. CARPET FOR REAR LIGHT
4	656721..	1	TAPPETO COPRIFANALE SX.	L.H. CARPET FOR REAR LIGHT
5	656718..	1	TAPPETO PASSARUOTA DX.	R.H. WHEEL PROTECTION CARPET
6	656719..	1	TAPPETO PASSARUOTA SX.	L.H. WHEEL PROTECTION CARPET
7	656722..	1	TAPPETO PARETE DIVISIONALE	TRUNK WALL CARPET
8	656724..	1	TAPPETO SU COFANO POST.	REAR HOOD CARPET
9	656723..	1	RICOPRIMENTO VANO RUOTA DI SCORTA	SPARE WHEEL TRUNK COVER

Rif	Dis.N° Part.N°	Q.ty	Denominazione	Description
10	62931000	2	MANOPOLA	KNOB
11	65650100	1	INSONORIZZANTE SOPRAPASSARUOTA DX.	R.H. WHEELHOUSE SILENCER
12	65650200	1	INSONORIZZANTE SOPRAPASSARUOTA SX.	L.H. WHEELHOUSE SILENCER

PER I CODICI DEI PARTICOLARI RIVESTITI IN PELLE E PER LE SERIE COMPLETE DEI TAPPETI MOQUETTE VEDI TAVOLA APPOSITA. SEE RELEVANT TABLE FOR CODES OF PARTS COVERED IN LEATHER AND FOR THE COMPLETE SERIES OF MOQUETTE CARPETS.



**456MGT/GTA**

**COFANO MOTORE**  
**ENGINE BONNET**

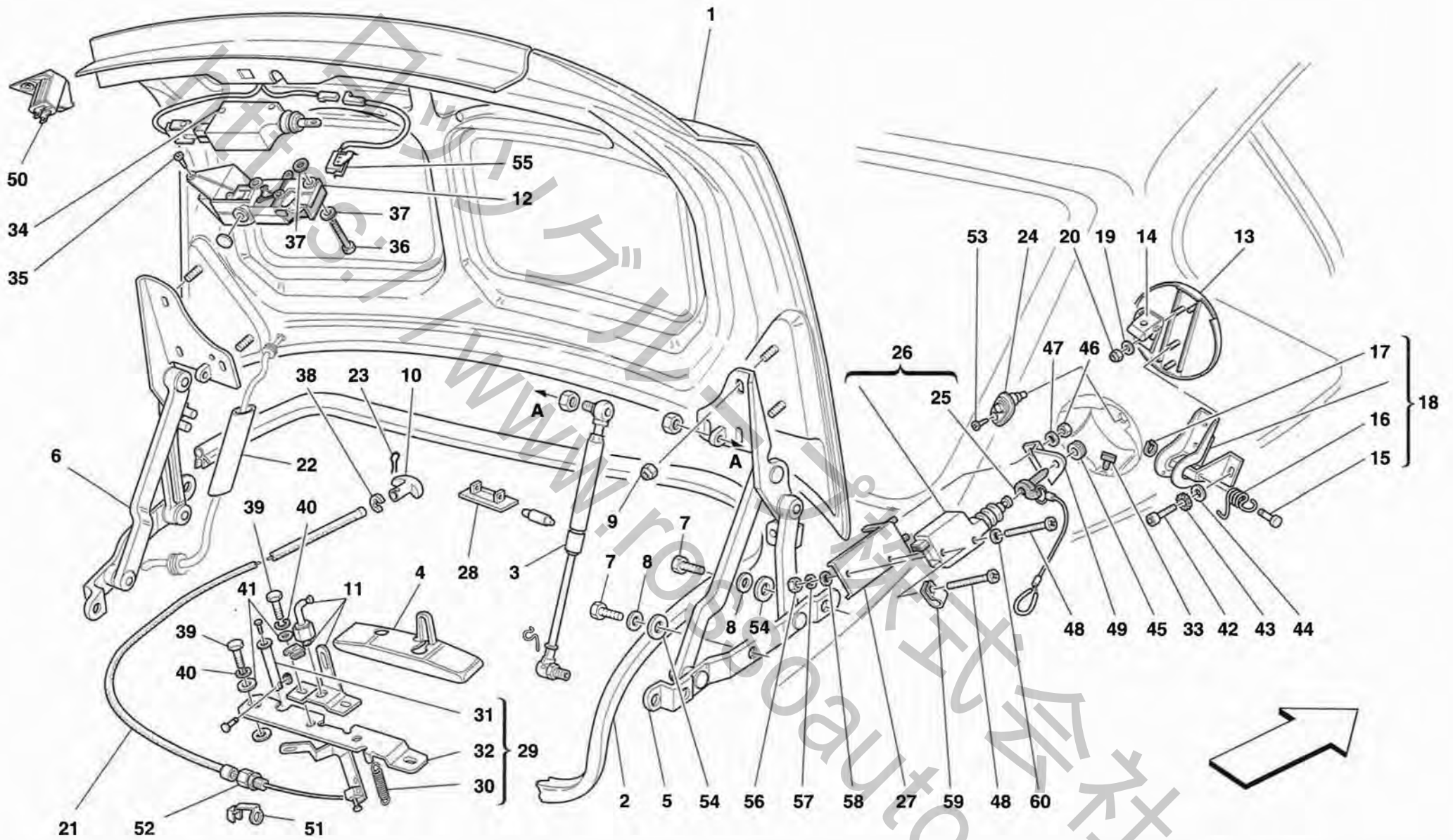
**TAV. 114**

DATA: OTTOBRE '98



Rif	Dis.N° Part.N°	Q.ty	Denominazione	Description
1	65285000	1	COFANO ANTERIORE	FRONT HOOD BONNET
2	63853800	1	CERNIERA DX. COFANO ANTERIORE	R.H. FRONT HOOD BONNET HINGE
-	63853900	1	CERNIERA SX. COFANO ANTERIORE	L.H. FRONT HOOD BONNET HINGE
3	65655500	1	PIASTRA DX.	R.H. PLATE
-	65655700	1	PIASTRA SX.	L.H. PLATE
4	13839224	4	VITE	SCREW
5	65278100	1	DISPOSITIVO APERTURA COFANO ANTERIORE	DEVICE FOR FRONT HOOD OPENING
6	65278200	1	SCATOLAMENTO PER MANIGLIA APERTURA COFANO ANTERIORE	HANDLE HOUSING FOR FRONT HOOD OPENING
7	63726200	1	PERNO	PIN
8	11087576	1	ANELLO SEEGER	SEEGER RING
9	65555400	1	CANALINA	MOULDING
10	14163570	1	SPINA ELASTICA	FLEXIBLE PIN
11	63206400	1	PERNO ARRESTO	STOP PIN
12	63206500	1	POMELLO	KNOB
13	63883700	1	MOLLA SX.	L.H. SPRING
14	63883500	1	CAVO SICUREZZA	SAFETY CABLE
15	63883600	1	MOLLA DX.	R.H. SPRING
16	63883200	1	PIASTRINA	PLATE
17	65507700	2	MOLLA A GAS	GAS SPRING
18	63789600	1	DISPOSITIVO SX. SERRATURA COFANO	L.H. HOOD LOCK DEVICE
-	63789500	1	DISPOSITIVO DX. SERRATURA COFANO	R.H. HOOD LOCK DEVICE
19	16102377	2	DADO	NUT
20	62794600	2	TAMPONE	PAD
21	65616500	1	GANCIO DI SICUREZZA COFANO COMPLETO	COMPLETE SAFETY HOOK FOR BONNET
22	65616400	1	GANCIO DI SICUREZZA COFANO	SAFETY HOOK FOR BONNET
23	63219200	1	MOLLA	SPRING

Rif	Dis.N° Part.N°	Q.ty	Denominazione	Description
24	63219100	1	PERNO	PIN
25	11088074	1	ANELLO SEEGER	SEEGER RING
26	63218000	1	CAVALLOTTO	RETAINER
27	63885000	1	STAFFA	BRACKET
28	63882800	2	FINECORSIA	END OF STROKE
29	63895000	2	SOFFIETTO	RUBBER BOOT
30	15896470	1	DADO	NUT
31	61564700	2	TAMPONE IN GOMMA	RUBBER PAD
32	153069	1	INTERRUTTORE	SWITCH
33	65668700	1	DISPOSITIVO APERTURA COFANO ANTERIORE COMPLETO	COMPLETE SYSTEM FOR FRONT HOOD OPENING
34	65278000	1	MANIGLIA APERTURA COFANO ANTERIORE COMPLETA	HANDLE FOR FRONT HOOD OPENING COMPLETE
35	16102377	2	DADO	NUT
36	62766500	2	VITE	SCREW
37	13838911	6	VITE	SCREW
38	13272017	20	VITE	SCREW
39	15896277	4	DADO	NUT
40	15687375	1	VITE	SCREW
41	13836324	6	VITE	SCREW
42	102741	4	DADO	NUT
43	10519424	4	ROSETTA	WASHER
44	12856780	1	TARGHETTA AUTOADESIVA AIR-BAG	AIR-BAG AUTO-ADHESIVE PLATE
45	10902124	8	VITE	SCREW
46	12643724	8	ROSETTA	WASHER
47	10571570	8	ROSETTA	WASHER
48	12643724	2	ROSETTA	WASHER
49	63218100	2	FINECORSIA	END OF STROKE
50	10519278	20	ROSETTA	WASHER
51	10902124	2	VITE	SCREW
52	12643724	2	ROSETTA	WASHER
53	10571674	2	ROSETTA	WASHER



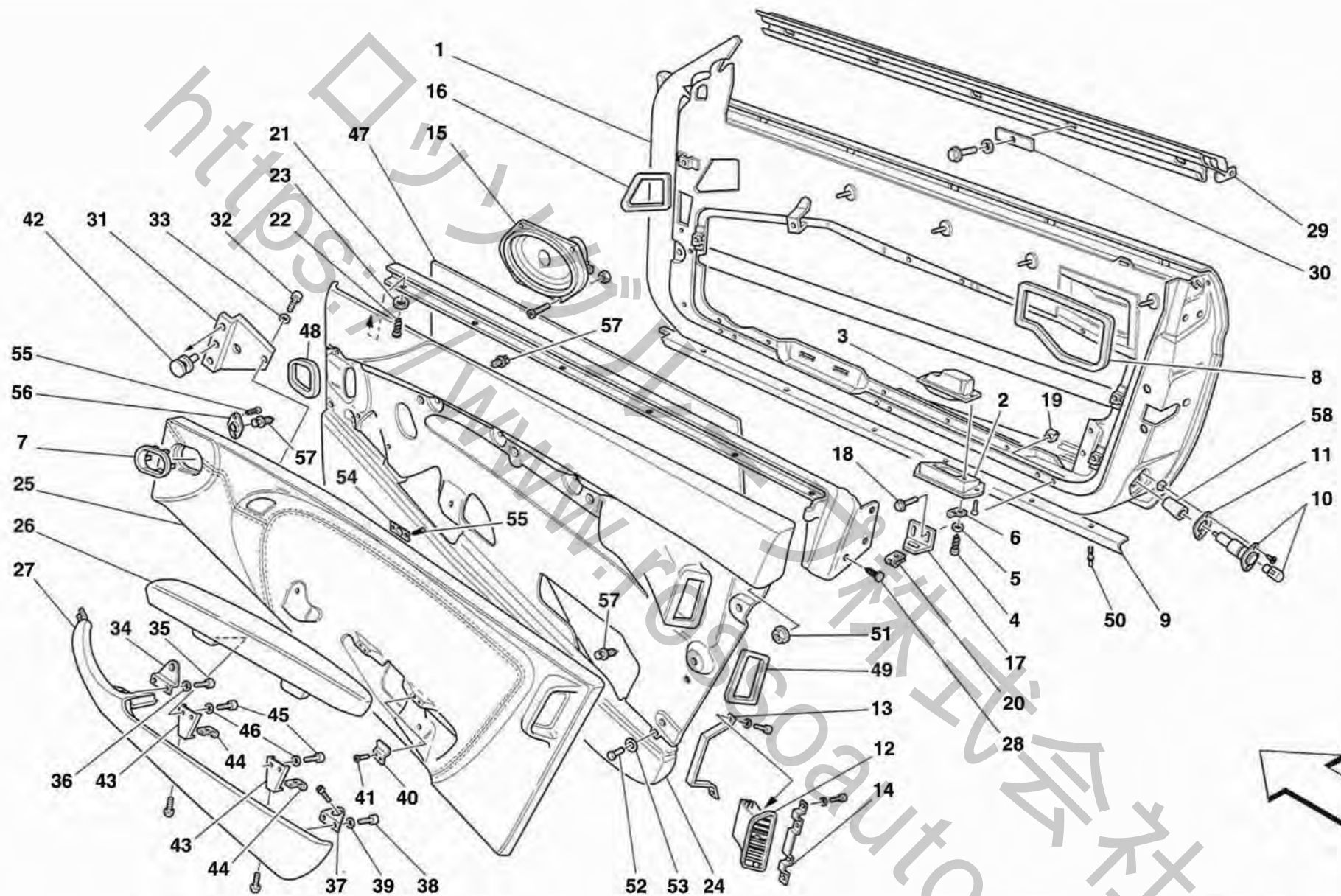
**456MGT/GTA**

**COFANO BAULE E SPORTELLINO BENZINA**  
**TRUNK HOOD BONNET AND PETROL COVER**

**TAV. 115**  
**DATA: OTTOBRE '98**

Rif	Dis.N° Part.N°	Q.ty	Denominazione	Description	Rif	Dis.N° Part.N°	Q.ty	Denominazione	Description
1	65377100	1	COFANO BAULE	TRUNK HOOD BONNET	30	63709500	1	MOLLA	SPRING
2	65384900	1	GUARNIZIONE VANO BAULE	GASKET FOR TRUNK COMPARTMENT	31	63709300	1	CILINDRO APERTURA D' EMERGENZA	EMERGENCY OPENING ROLL
3	63701800	2	MOLLA A GAS	GAS SPRING	32	63709100	1	PIASTRA	PLATE
4	63861700	1	RICOPRIMENTO SCONTRINO	STRIKER PLATE OVERLAP	33	63879900	2	TASSELLO IN GOMMA	RUBBER PAD
5	65222700	1	CERNIERA DX. COFANO BAULE	R.H. TRUNK HOOD BONNET HINGE	34	63191100	1	ATTUATORE PORTELLO	LID ACTUATOR
6	65222800	1	CERNIERA SX. COFANO BAULE	L.H. TRUNK HOOD BONNET HINGE	35	15903870	2	VITE	SCREW
7	10902821	6	VITE	SCREW	36	10903024	3	VITE	SCREW
8	10519424	6	ROSETTA	WASHER	37	12601274	3	ROSETTA	WASHER
9	14039614	6	DADO	NUT	38	11087676	2	ANELLO ELASTICO	FLEXIBLE RING
10	60710900	1	MANIGLIA DI SOCCORSO	EMERGENCY HANDLE	39	10902124	4	VITE	SCREW
11	63143600	1	SCONTRINO CHIUSURA COFANO BAULE	TRUNK HOOD BONNET CLOSING STRIKER	40	127494	4	ROSETTA	WASHER
12	63143300	1	SERRATURA COFANO BAULE	TRUNK HOOD BONNET LOCK	41	12643724	4	ROSETTA	WASHER
13	63707300	1	SPORTELLO BOCCHETTONE BENZINA COMPLETO	COMPLETE FUEL INLET LID	42	14304124	2	VITE	SCREW
14	63771200	1	SCONTRINO SPORTELLO BOCCHETTONE BENZINA	STRIKER PLATE FOR GAS UNION	43	12605274	2	ROSETTA	WASHER
15	63196400	1	PERNO	PIN	44	12638177	2	ROSETTA	WASHER
16	63196500	1	MOLLA	SPRING	45	10396280	1	GOMMINO PER PERNO	RUBBER FOR PIN
17	11087676	1	ANELLO SEEGER	SEEGER RING	46	168698	2	DADO	NUT
18	63746800	1	CERNIERA SPORTELLO BOCCHETTONE BENZINA	HINGE FOR GAS UNION DOOR	47	11181574	6	ROSETTA	WASHER
19	12638124	4	ROSETTA	WASHER	48	13273014	2	VITE	SCREW
20	14084111	4	DADO	NUT	49	64061200	1	STAFFA	BRACKET
21	65374500	1	CAVO EMERGENZA	EMERGENCY CABLE	50	167175	1	INTERRUTTORE A GRAVITA'	SWITCH
22	63887300	1	RIPARO CAVI	COVER FOR CABLES	51	62955500	2	MOLLETTA	CLIP
23	60711000	1	MOLLETTA	CLIP	52	62984500	2	VITE DI REGOLAZIONE	ADJUSTMENT SCREW
24	153069	1	INTERRUTTORE SPIA SPORTELLO BENZINA	INDICATOR LAMP FOR FUEL DOOR	53	15915977	1	VITE	SCREW
25	63716300	1	PERNO COMPLETO	COMPLETE PIN	54	10571570	6	ROSETTA	WASHER
26	63713800	1	ATTUATORE SPORTELLO BENZINA	FUEL DOOR ACTUATOR	55	173977	1	MICROINTERRUTTORE COMPL. DI CAVI	CABLE COMPLETE MICRO-SWITCH
27	63120900	1	STAFFA FISSAGGIO ATTUATORE	BRACKET FOR ACTUATOR FIXING	56	10794014	2	DADO	NUT
28	139517	1	PLAFONIERA LUCE VANO BAULE	DOME LAMP	57	127492	2	ROSETTA	WASHER
29	63872300	1	DISPOSITIVO SERRATURA BAULE COMPLETO	COMPLETE TRUNK LOCK DEVICE	58	10519224	2	ROSETTA	WASHER
					59	10420301	1	STAFFETTA	BRACKET
					60	12637824	1	ROSETTA	WASHER





**456MGT/GTA**

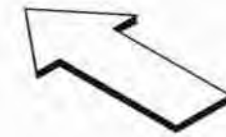
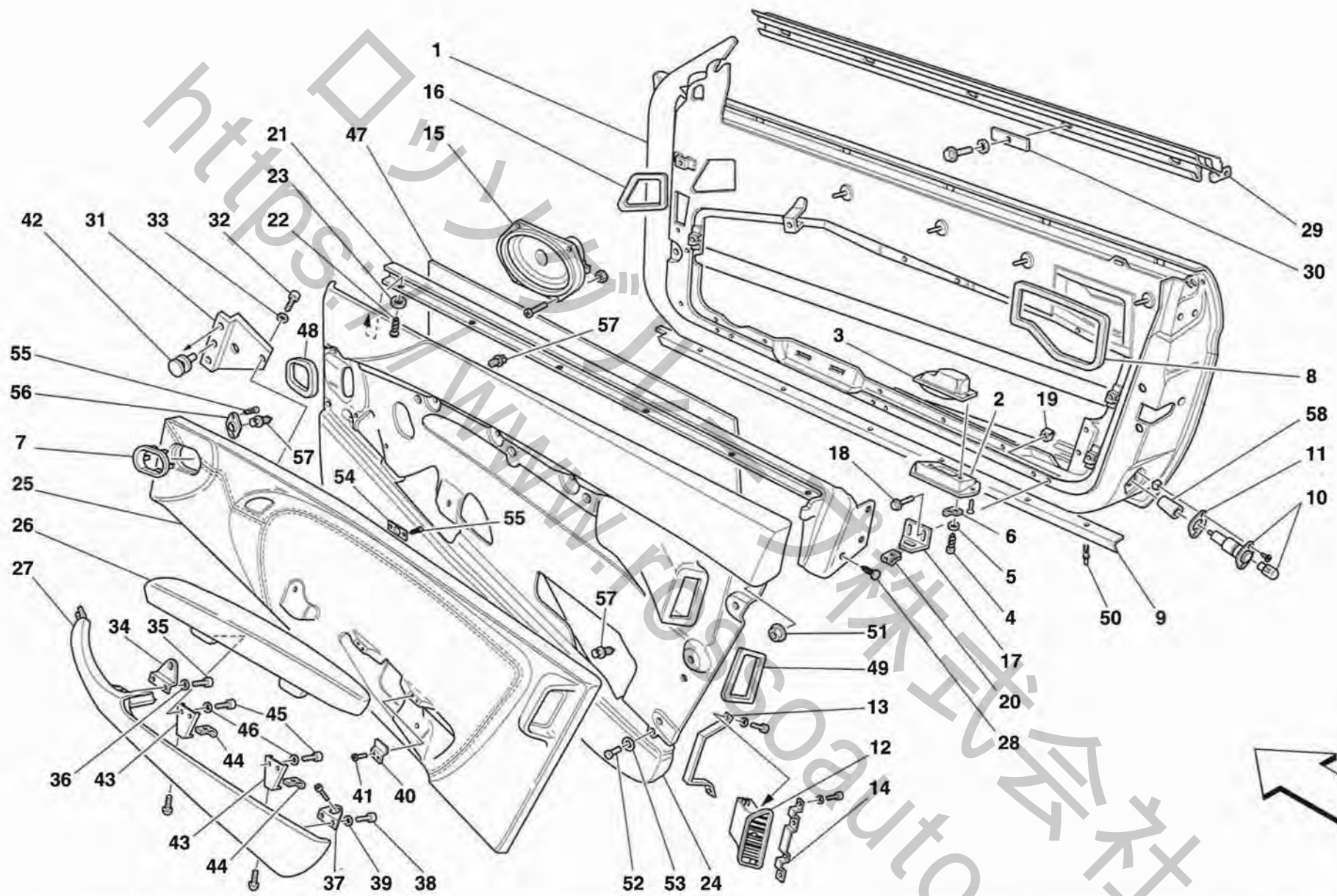
**PORTE - OSSATURA E RIVESTIMENTI**  
**DOORS - FRAMEWORK AND COVERINGS**

**TAV. 116**

DATA: OTTOBRE '98



Rif	Dis.N° Part.N°	Q.ty	Denominazione	Description	Rif	Dis.N° Part.N°	Q.ty	Denominazione	Description
1	65439800	1	PORTA LASTRATA DX. -No per USA, CDN e AUS-	R.H. DOOR FRAME -Not for USA, CDN and AUS-	-	-	1	PANNELLO INTERNO PORTA COMPLETO SX. -Vedi Tavola	L.H. COMPLETE INNER DOOR PANEL -See Table
-	65563700	1	PORTA LASTRATA DX. -Vale per USA, CDN e AUS-	R.H. DOOR FRAME -Valid for USA, CDN and AUS-	-	-	1	"CODICI RIVESTIMENTI PANNELLO PORTA"-	"DOOR PANEL TRIMS CODES"-
-	65439900	1	PORTA LASTRATA SX. -No per USA, CDN e AUS-	L.H. DOOR FRAME -Not for USA, CDN and AUS-	25	654702..	1	OSSATURA PANNELLO CENTRALE RIVESTITA DX.	R.H. COVERED CENTRAL PANEL MOULDING
-	65563800	1	PORTA LASTRATA SX. -Vale per USA, CDN e AUS-	L.H. DOOR FRAME -Valid for USA, CDN and AUS-	-	654474..	1	RIVESTIMENTO	LINING
2	60842000	2	SCATOLA PLAFONIERA SOTTOPORTA	UNDER DOOR BOX LAMP	-	654703..	1	OSSATURA PANNELLO CENTRALE RIVESTITA SX.	L.H. COVERED CENTRAL PANEL MOULDING
3	65088400	2	PLAFONIERA SOTTOPORTA	UNDER DOOR LAMP	-	654475..	1	RIVESTIMENTO	LINING
4	15901575	4	VITE	SCREW	26	654706..	1	APPOGGIABRACCIA PORTA DX.	R.H. DOOR ARM-REST
5	12639477	4	ROSETTA	WASHER	-	654498..	1	RIVESTIMENTO	LINING
6	62767500	4	MOLLETTA	CLIP	-	654707..	1	APPOGGIABRACCIA PORTA SX.	L.H. DOOR ARM-REST
7	63723800	2	CORNICE	FRAME	-	654499..	1	RIVESTIMENTO	LINING
8	65449200	1	GUARNIZIONE DX.	R.H. GASKET	27	654710..	1	MANIGLIONE DX.	R.H. HANDLE MOULDING
-	65689800	1	GUARNIZIONE SX.	L.H. GASKET	-	654620..	1	RIVESTIMENTO	LINING
9	63758200	1	GUARNIZIONE INFERIORE DX.	R.H. LOWER GASKET	-	654711..	1	MANIGLIONE SX.	L.H. HANDLE MOULDING
-	63488300	1	GUARNIZIONE INFERIORE SX.	L.H. LOWER GASKET	-	654621..	1	RIVESTIMENTO	LINING
10	178262	2	FANALINO PORTA APERTA	OPENING DOOR LAMP	28	178949	6	CLIP	CLIP
11	140576	2	GUARNIZIONE	GASKET	29	65432400	1	RASCHIAVETRO ESTERNO DX.	R.H. OUTER GLASS SCRAPER
12	63850400	1	BOCCHETTA DIFFUSORE ARIA DX.	R.H. AIR DIFFUSOR OPENING	-	65432500	1	RASCHIAVETRO ESTERNO SX.	L.H. OUTER GLASS SCRAPER
-	63850500	1	BOCCHETTA DIFFUSORE ARIA SX.	L.H. AIR DIFFUSOR OPENING	30	65655000	10	SPESSORE	THICKNESS
13	65286400	1	STAFFA DX.	R.H. BRACKET	31	65431500	2	STAFFA FISS. PANNELLO	PANEL FIXING BRACKET
-	65430400	1	STAFFA SX.	L.H. BRACKET	32	13273872	6	VITE	SCREW
14	65286700	2	STAFFA	BRACKET	33	12637824	6	ROSETTA	WASHER
15	174806	2	ALTOPARLANTE WOOFER	LOUD SPEAKER WOOFER	34	65286500	1	STAFFA ANT. DX.	R.H. FRONT BRACKET
16	65449100	1	GUARNIZIONE DX.	R.H. GASKET	-	65286600	1	STAFFA ANT. SX.	L.H. FRONT BRACKET
-	65689700	1	GUARNIZIONE SX.	L.H. GASKET	35	13273872	4	VITE	SCREW
17	65297600	6	STAFFA	BRACKET	36	12637824	4	ROSETTA	WASHER
18	13833171	12	VITE	SCREW	37	65286900	2	STAFFA POST.	REAR BRACKET
19	14647490	12	DADO	NUT	38	13273872	4	VITE	SCREW
20	62764200	6	MOLLETTA	SPRING	39	12637824	4	ROSETTA	WASHER
21	65432200	1	RASCHIAVETRO DX.	R.H. GLASS SCRAPER	40	65286000	4	STAFFETTA	BRACKET
-	65432300	1	RASCHIAVETRO SX.	L.H. GLASS SCRAPER	41	15901475	8	VITE	SCREW
22	15901475	12	VITE	SCREW	42	64580400	2	BLOCCHETTO	BLOCK
23	14498501	12	ROSETTA	WASHER	43	65285900	4	STAFFA	BRACKET
24	-	1	PANNELLO INTERNO PORTA COMPLETO DX. -Vedi Tavola "CODICI RIVESTIMENTI PANNELLO PORTA"-	R.H. COMPLETE INNER DOOR PANEL -See Table "DOOR PANEL TRIMS CODES"-	44	62764200	4	MOLLETTE	SPRINGS
					45	13273872	8	VITE	SCREW
					46	12637824	8	ROSETTA	WASHER
					47	65557600	1	FODERINA RIPARO ACQUA DX.	R.H. WATER PROTECTION CLOTH



**456MGT/GTA**

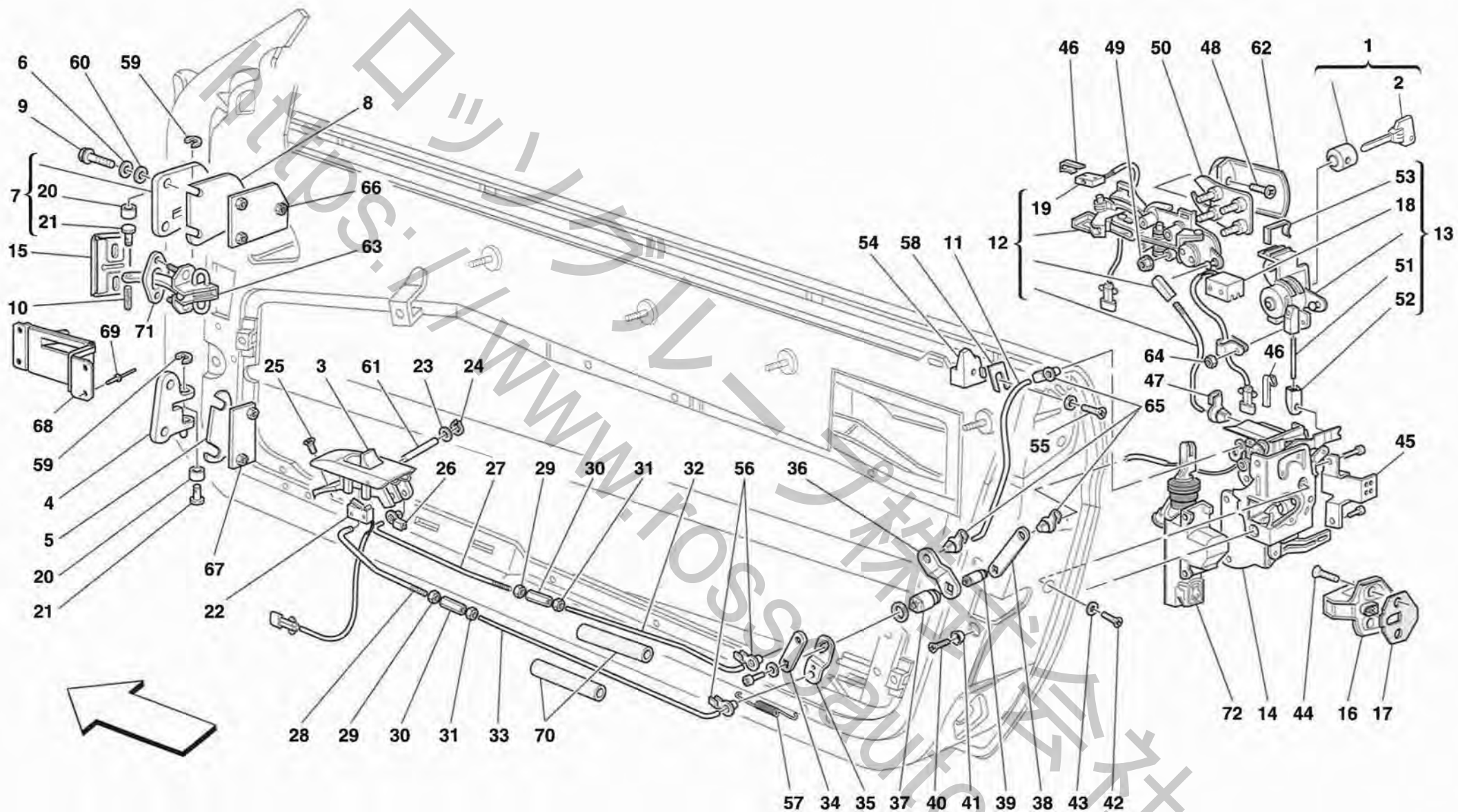
**PORTE - OSSATURA E RIVESTIMENTI**  
**DOORS - FRAMEWORK AND COVERINGS**

**TAV. 116**  
 DATA: OTTOBRE '98

Rif	Dis.N° Part.N°	Q.ty	Denominazione	Description
-	65557700	1	FODERINA RIPARO ACQUA SX.	L.H. WATER PROTECTION CLOTH
-	65059500	2	TELA RIPARO ACQUA SU MICROINTERRUTTORE	WATER PROTECTION CLOTH FOR MICRO-SWITCH
48	65448500	1	GUARNIZIONE DX.	R.H. GASKET
-	65690000	1	GUARNIZIONE SX.	L.H. GASKET
49	65449300	1	GUARNIZIONE DX.	R.H. GASKET
-	65689900	1	GUARNIZIONE SX.	L.H. GASKET
50	62764000	16	RIVETTO	RIVET
51	13832101	8	DADO	NUT
52	10977524	8	VITE	SCREW
53	12624177	6	ROSETTA	WASHER

Rif	Dis.N° Part.N°	Q.ty	Denominazione	Description
-	12637824	2	ROSETTA	WASHER
54	64758500	6	PIASTRINA	PLATE
55	15914877	28	VITE	SCREW
56	64712800	14	PIASTRINA	PLATE
57	14188181	16	FERMAGLIO	RETAINER
58	65910600	2	CAPPUCCIO	BOOT

PER I CODICI DEI PARTICOLARI RIVESTITI IN PELLE E PER LE SERIE COMPLETE DEI TAPPETI MOQUETTE VEDI TAVOLA APPOSITA. SEE RELEVANT TABLE FOR CODES OF PARTS COVERED IN LEATHER AND FOR THE COMPLETE SERIES OF MOQUETTE CARPETS.



**456MGT/GTA**

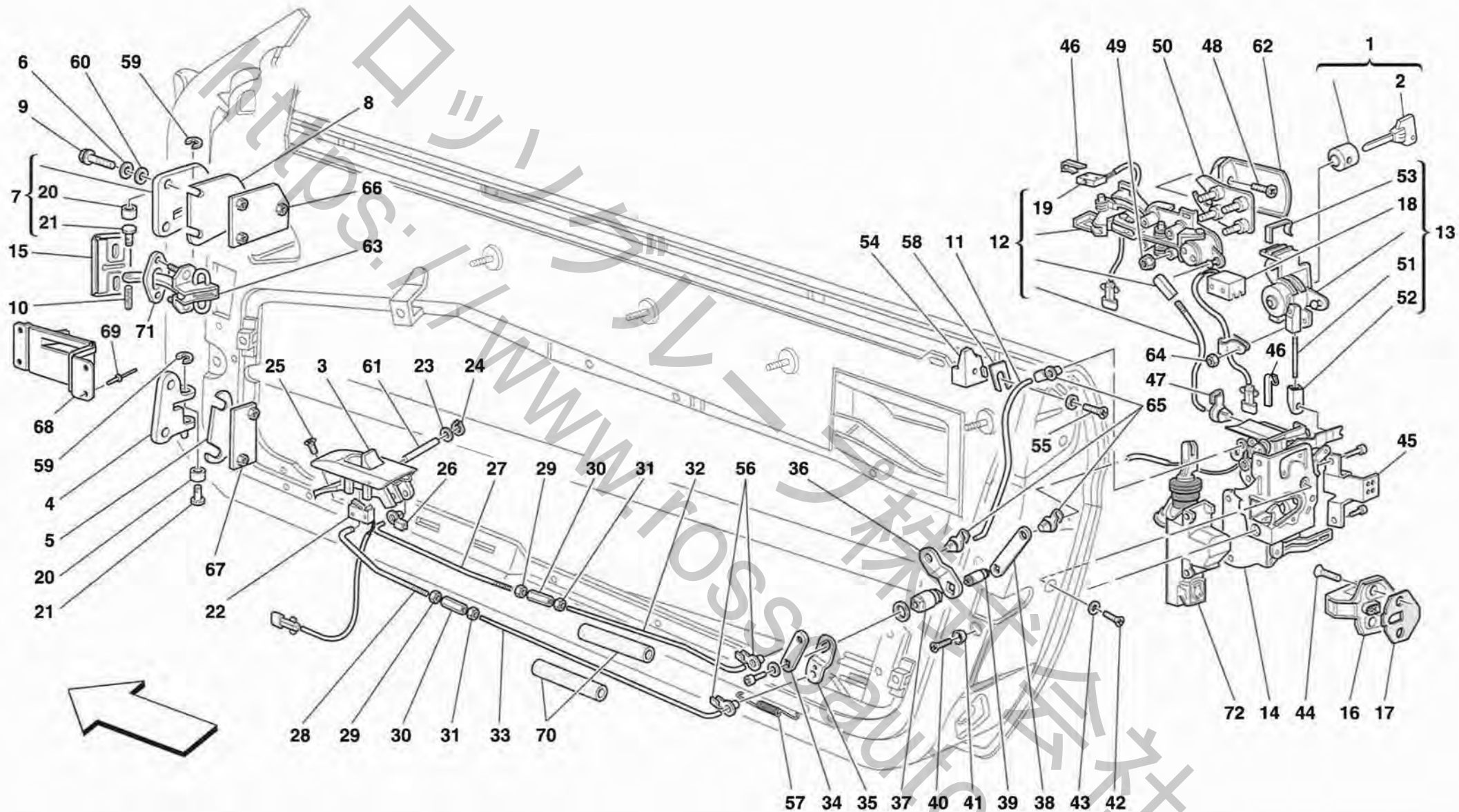
*PORTE - COMANDO APERTURA E CERNIERE*  
*DOORS - OPENING CONTROL AND HINGES*

TAV. 117

DATA: OTTOBRE '98



Rif	Dis.N° Part.N°	Q.ty	Denominazione	Description	Rif	Dis.N° Part.N°	Q.ty	Denominazione	Description
1	162547	1	IMPARIGLIO BLOCCHETTI COMPLETO DI ANTIFURTO BLOCCASTERZO E CHIAVE -No per 456M GTA-	LOCKS SET COMPLETED WITH STEERING LOCK AND KEY -Not for 456M GTA-	20	63189600	4	BOCCOLA	BUSHING
-	164514	1	IMPARIGLIO BLOCCHETTI COMPLETO DI ANTIFURTO BLOCCASTERZO E CHIAVE -Vale per 456M GTA-	LOCKS SET COMPLETED WITH STEERING LOCK AND KEY -Valid for 456M GTA-	21	63189800	4	PERNO	PIN
2	170010	1	CHIAVE GREZZA	BLANK KEY	22	171120	2	MICROINTERRUTTORE MANIGLIA INTERNA PORTA	INNER DOOR HANDLE MICRO-SWITCH
3	64926000	1	MANIGLIA APRIORTA INTERNA DX.	R.H. INNER HANDLE FOR DOOR OPENING	23	64203800	4	ROSETTA	WASHER
-	64926300	1	MANIGLIA APRIORTA INTERNA SX.	L.H. INNER HANDLE FOR DOOR OPENING	24	11087476	2	ANELLO ELASTICO	FLEXIBLE RING
4	63188700	1	CERNIERA MOBILE INFERIORE DX.	R.H. LOWER MOBILE HINGE	25	13274470	4	VITE	SCREW
-	63188800	1	CERNIERA MOBILE INFERIORE SX.	L.H. LOWER MOBILE HINGE	26	14578080	2	MOLLETTA RITEGNO TIRANTE	TIE ROD RETAINING CLIP
5	65404200	2	SPESSORE	THICKNESS	27	65561600	2	TIRANTE ANT.	FRONT TIE ROD
6	127496	10	ROSETTA	WASHER	28	65561900	2	TIRANTE ANT.	FRONT TIE ROD
7	63189300	1	CERNIERA MOBILE SUPERIORE DX.	R.H. UPPER MOBILE HINGE	29	64203300	4	DADO SX.	L.H. NUT
-	63189400	1	CERNIERA MOBILE SUPERIORE SX.	L.H. UPPER MOBILE HINGE	30	63402100	4	MANICOTTO DI REGOLAZIONE	ADJUSTMENT SLEEVE
8	63747100	2	SPESSORE	THICKNESS	31	10794014	4	DADO	NUT
9	16043934	10	VITE	SCREW	32	65561700	2	TIRANTE POST.	REAR TIE ROD
10	62791700	2	PERNO	PIN	33	65562000	2	TIRANTE POST.	REAR TIE ROD
11	63168000	1	TIRANTE DX.	R.H. TIE ROD	34	65100500	2	LEVA PRIMARIA MANIGLIA	HANDLE PRIMARY LEVER
-	63888500	1	TIRANTE SX.	L.H. TIE ROD	35	65046000	1	LEVA PRIMARIA SICURA DX.	R.H. SEFETY DEVICE PRIMARY LEVER
12	65808200	1	MANIGLIA ESTERNA PORTA DX. COMPLETA	R.H. COMPLETE OUTER DOOR HANDLE	-	65046100	1	LEVA PRIMARIA SICURA SX.	L.H. SEFETY DEVICE PRIMARY LEVER
-	65808300	1	MANIGLIA ESTERNA PORTA SX. COMPLETA	L.H. COMPLETE OUTER DOOR HANDLE	36	63167900	2	LEVA SECONDARIA SICURA	SEFETY DEVICE SECONDARY LEVER
13	63180300	1	BLOCCHETTO COMANDO SERRATURA DX. COMPLETO	R.H. COMPLETE LOCK CONTROL BLOCK	37	63168600	2	PERNO RINVIO SICURA	SAFETY DEVICE TRANSMISSION PIN
-	63180400	1	BLOCCHETTO COMANDO SERRATURA SX. COMPLETO	L.H. COMPLETE LOCK CONTROL BLOCK	38	63167500	2	LEVA SECONDARIA MANIGLIA	HANDLE SECONDARY LEVER
14	63497400	1	SERRATURA PORTA DX. COMPLETA	R.H. COMPLETE DOOR LOCK	39	65100900	2	PERNO RINVIO MANIGLIA	HANDLE TRANSMISSION PIN
-	63497500	1	SERRATURA PORTA SX. COMPLETA	L.H. COMPLETE DOOR LOCK	40	62797600	4	VITE	SCREW
15	63895200	1	PIASTRINO DX.	R.H. SMALL PLATE	41	62794700	4	ROSETTA	WASHER
-	63895300	1	PIASTRINO SX.	L.H. SMALL PLATE	42	13276077	2	VITE	SCREW
16	63157000	2	SCONTRINO CHIUSURA SPORTELLO	DOOR CLOSING STRIKER	43	13550277	2	ROSETTA	WASHER
17	63877300	6	PIASTRINA	PLATE	44	14442034	4	VITE	SCREW
18	63859200	2	MICROINTERRUTTORE BLOCCO PORTA	DOORS LOCKING MICRO-SWITCH	45	177879	2	STAFFA FISSAGGIO MICROINTERRUTTORE	BRACKET FOR MICRO-SWITCH FIXING
19	63859800	2	MICROINTERRUTTORE MANIGLIA ESTERNA PORTA	OUTER DOOR HANDLE MICRO-SWITCH	46	155978	4	CLIP PER CONNESSIONI PACKARD	CLIP FOR PACKARD CONNECTION
					47	64215300	2	MOLLETTA RITEGNO TIRANTE	TIE ROD RETAINING CLIP
					48	64214600	2	VITE	SCREW
					49	14084011	8	DADO	NUT
					50	63158010	2	SUPPORTO MANIGLIA ESTERNA	OUTER HANDLE SUPPORT
					51	63772500	2	TIRANTE	TIE ROD
					52	62794000	2	GIUNTO ELASTICO	FLEXIBLE JOINT
					53	63179700	2	MOLLETTA DI FISSAGGIO	FIXING CLIP
					54	65438600	1	TASSELLO DX.	R.H. SMALL BLOCK
					-	65438700	1	TASSELLO SX.	L.H. SMALL BLOCK
					55	13271914	2	VITE	SCREW
					56	62773900	4	MOLLETTE	SPRINGS



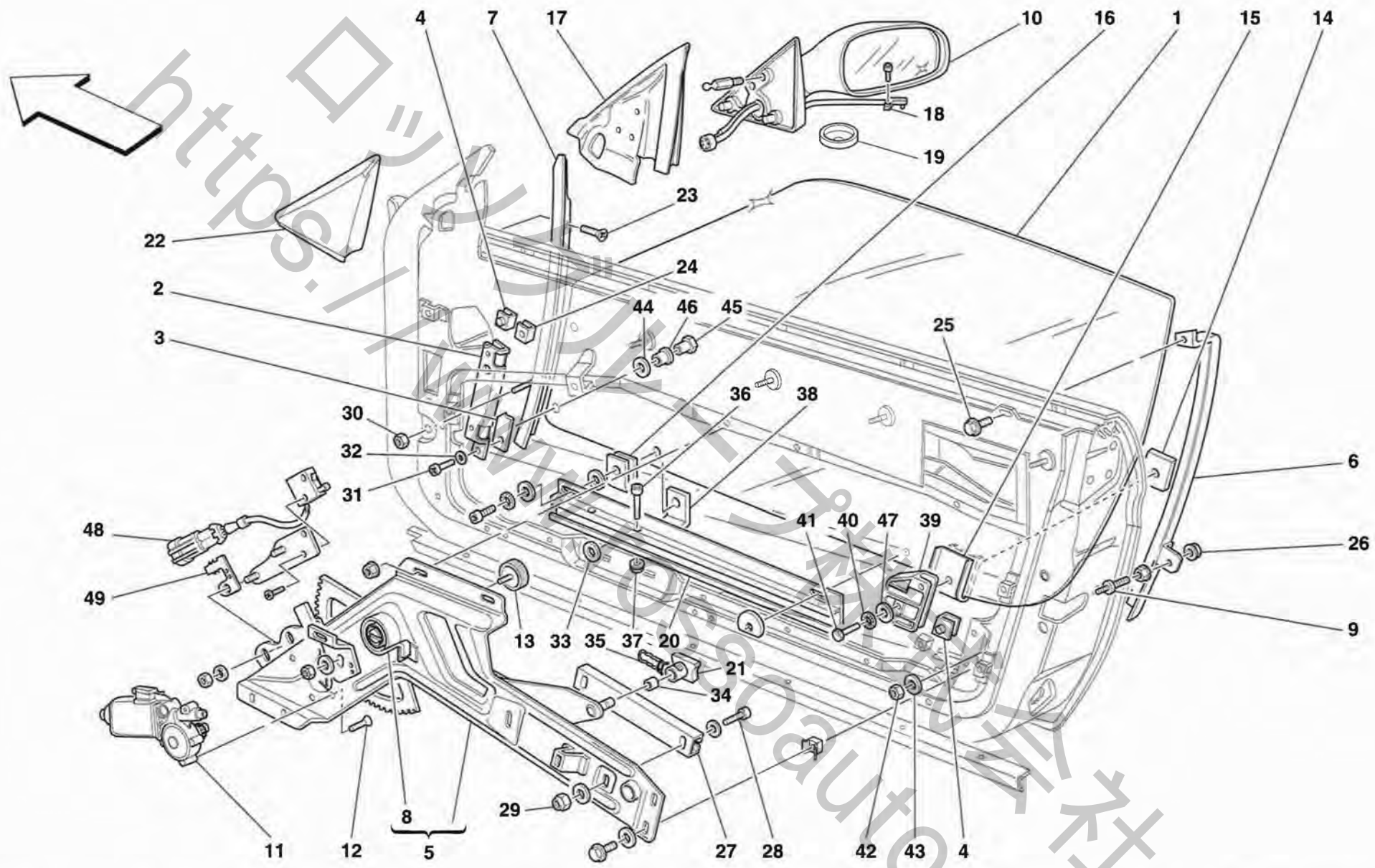
**456MGT/GTA**

*PORTE - COMANDO APERTURA E CERNIERE*  
*DOORS - OPENING CONTROL AND HINGES*

**TAV. 117**

DATA: OTTOBRE '98

Rif	Dis.N° Part.N°	Q.ty	Denominazione	Description	Rif	Dis.N° Part.N°	Q.ty	Denominazione	Description
57	64074200	2	MOLLA	SPRING	67	63747900	1	PIASTRINA INFERIORE DX.	R.H. LOWER PLATE
58	65510800	2	SPESSORE -Di eventuale montaggio-	THICKNESS -Possible fitting-	-	63748000	1	PIASTRINA INFERIORE SX.	L.H. LOWER PLATE
59	11087974	4	ANELLO ELASTICO	FLEXIBLE RING	68	63893100	1	PIASTRINA TENUTA ARIA DX.	R.H. AIR PROTECTION PLATE
60	12646724	10	ROSETTA	WASHER	-	63893000	1	PIASTRINA TENUTA ARIA SX.	L.H. AIR PROTECTION PLATE
61	64203900	2	PERNO	PIN	69	60643400	8	RIVETTO	RIVET
62	63852610	2	PARTE MOBILE MANIGLIA	HANDLE MOVABLE PART	70	65498900	4	TUBO SU TIRANTI	TIE ROD PIPE
63	65195200	2	TIRANTE	TIE ROD	71	65321600	2	PIASTRINO	SMALL PLATE
64	14084011	4	DADO	NUT	72	63487400	2	ATTUATORE CHIUSURA CENTRALIZZATA	CENTRALIZED LOCKING DEVICE
65	14578283	6	MOLLETTA	CLIP					
66	63747700	1	PIASTRINA SUPERIORE DX.	R.H. UPPER PLATE					
-	63747800	1	PIASTRINA SUPERIORE SX.	L.H. UPPER PLATE					



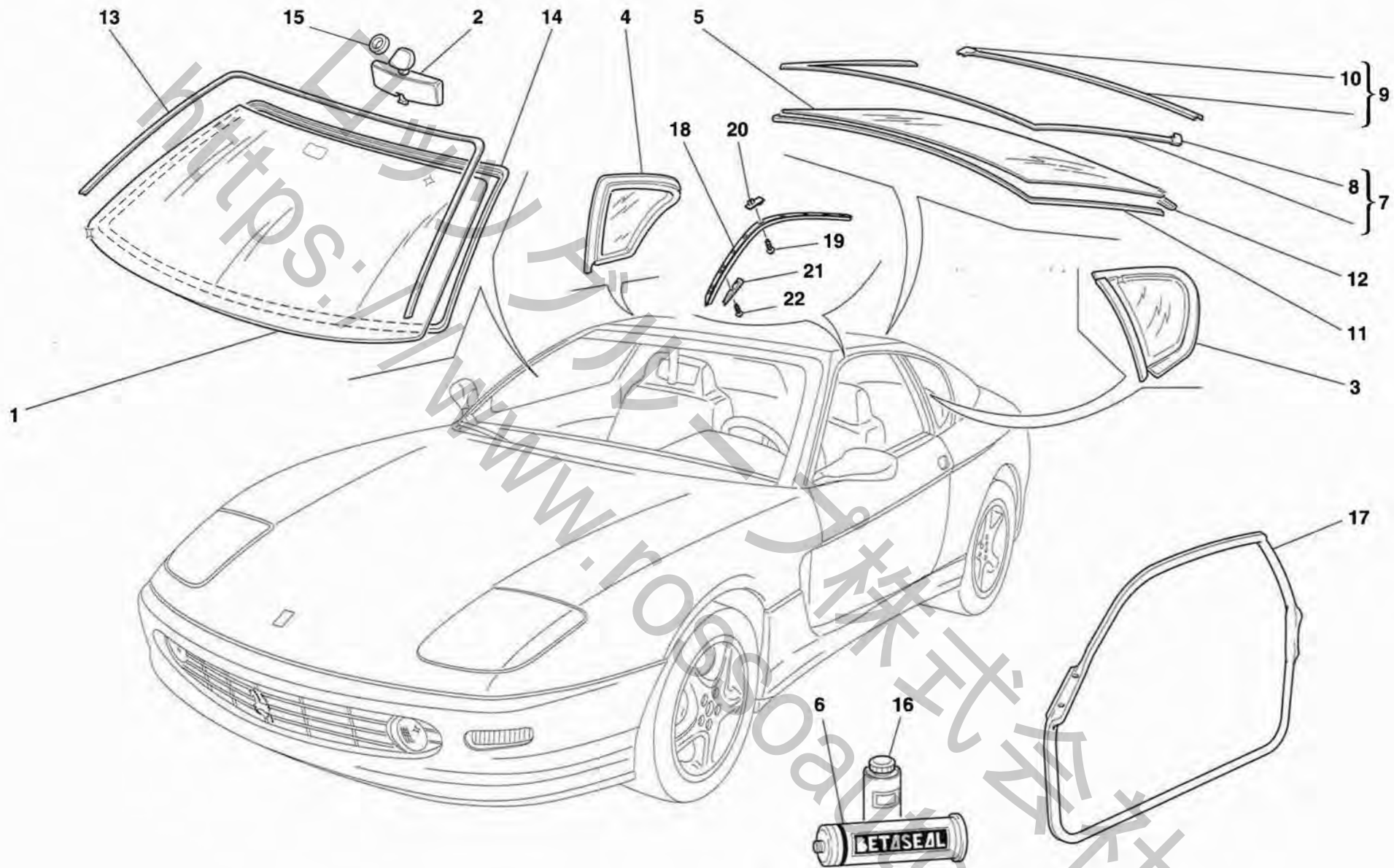
**456MGT/GTA**

**PORTE - ALZACRISTALLO E SPECCHIO RETROVISORE**  
**DOORS - POWER WINDOW AND REARVIEW MIRROR**

**TAV. 118**  
**DATA: OTTOBRE '98**



Rif	Dis.N° Part.N°	Q.ty	Denominazione	Description	Rif	Dis.N° Part.N°	Q.ty	Denominazione	Description
1	65434300	1	CRISTALLO PORTA DX.	R.H. DOOR GLASS	-	63715000	1	TAPPO DX. (senza foro sensore)	R.H. PLUG (without sensor hole)
-	65434400	1	CRISTALLO PORTA SX.	L.H. DOOR GLASS	20	65778000	1	GUIDA DX.	R.H. GUIDE
2	63768100	1	PATTINO DX.	R.H. GUIDE SHOE	-	65778100	1	GUIDA SX.	L.H. GUIDE
-	63768200	1	PATTINO SX.	L.H. GUIDE SHOE	21	64081100	6	TASSELLO PER GUIDE	SMALL BLOCK FOR GUIDES
3	63486900	2	GUARNIZIONE	GASKET	22	65435300	1	MODANATURA INTERNA SPECCHIO DX.	R.H. MIRROR INNER MOLDING
4	63767900	8	MOLLETTA	CLIP	-	65435400	1	MODANATURA INTERNA SPECCHIO SX.	L.H. MIRROR INNER MOLDING
5	64092000	1	DISPOSITIVO ALZACRISTALLO DX.	R.H. GLASS LIFT DEVICE	23	64222200	4	VITE	SCREW
-	64092100	1	DISPOSITIVO ALZACRISTALLO SX.	L.H. GLASS LIFT DEVICE	24	63890100	8	GUARNIZIONE	GASKET
6	63786500	1	GUIDA CRISTALLO POSTERIORE DX.	R.H. REAR GLASS GUIDE	25	13836324	2	VITE	SCREW
-	63786600	1	GUIDA CRISTALLO POSTERIORE SX.	L.H. REAR GLASS GUIDE	26	14039714	2	DADO	NUT
7	65438400	1	GUIDA CRISTALLO ANTERIORE DX.	R.H. FRONT GLASS GUIDE	27	64091500	1	SUPPORTO DX.	R.H. SUPPORT
-	65438500	1	GUIDA CRISTALLO ANTERIORE SX.	L.H. FRONT GLASS GUIDE	-	64091600	1	SUPPORTO SX.	L.H. SUPPORT
8	63896300	2	MOLLA ELICOIDALE	HELICOIDAL SPRING	28	14303724	4	VITE	SCREW
9	65224500	2	VITE DOPPIO FILETTO	DOUBLE THREADED SCREW	29	62790300	4	DADO	NUT
10	65434710	1	SPECCHIO ESTERNO DX. -No per USA, CDN e GD-	R.H. EXTERNAL REAR MIRROR -Not for USA, CDN and GD-	30	14039714	4	DADO	NUT
-	65434910	1	SPECCHIO ESTERNO DX. -Vale per USA e CDN-	R.H. EXTERNAL REAR MIRROR -Valid for USA and CDN-	31	13271811	4	VITE	SCREW
-	65617410	1	SPECCHIO ESTERNO DX. -Vale per GD-	R.H. EXTERNAL REAR MIRROR -Valid for GD-	32	10519278	4	ROSETTA	WASHER
-	65434810	1	SPECCHIO ESTERNO SX. -No per GD-	L.H. EXTERNAL REAR MIRROR -Not for GD-	33	63896600	2	GOMMINO	RUBBER
-	65617510	1	SPECCHIO ESTERNO SX. -Vale per GD-	L.H. EXTERNAL REAR MIRROR -Valid for GD-	34	64091900	2	BOCCOLA	BUSHING
11	63211800	1	MOTORINO ALZACRISTALLO DX.	R.H. GLASS LIFTING MOTOR	35	64081200	6	MOLLETTA PER TASSELLO	CLIP FOR SCREW
-	63211900	1	MOTORINO ALZACRISTALLO SX.	L.H. GLASS LIFTING MOTOR	36	14303724	4	VITE	SCREW
12	15917904	8	VITE	SCREW	37	62790300	4	DADO	NUT
13	63896400	2	TAMPONE ARRESTO	STOP BUFFER	38	65654300	4	PIASTRA FISSAGGIO CRISTALLO	GLASS FIXING PLATE
14	63768000	2	PIASTRA DI FISSAGGIO	FIXING PLATE	39	63853600	1	GUIDA MOBILE DX.	R.H. MOVING GUIDE
15	63168800	2	REGOLATORE DI PRECARICO	PRELOADING REGULATOR	-	63853700	1	GUIDA MOBILE SX.	L.H. MOVING GUIDE
16	63120100	4	GUARNIZIONE PIASTRA	PLATE GASKET	40	127494	2	ROSETTA	WASHER
17	65675800	1	GUARNIZIONE SPECCHIO ESTERNO DX.	R.H. OUTER MIRROR GASKET	41	10903024	2	VITE	SCREW
-	65675900	1	GUARNIZIONE SPECCHIO ESTERNO SX.	L.H. OUTER MIRROR GASKET	42	13832101	2	DADO	NUT
18	63893600	1	SENSORE TEMPERATURA ESTERNA	OUTER TEMPERATURE SENSOR	43	12640624	2	ROSETTA	WASHER
19	63715100	1	TAPPO SX. (con foro sensore)	L.H. PLUG (with sensor hole)	44	62798000	4	ROSETTA	WASHER
					45	62932800	4	DISTANZIALE	SPACER
					46	62932900	4	BOCCOLA	BUSH
					47	13550277	2	ROSETTA	WASHER
					48	168617	2	MICROINTERRUTTORE	MICRO-SWITCH
					49	162606	2	CLIP	CLIP



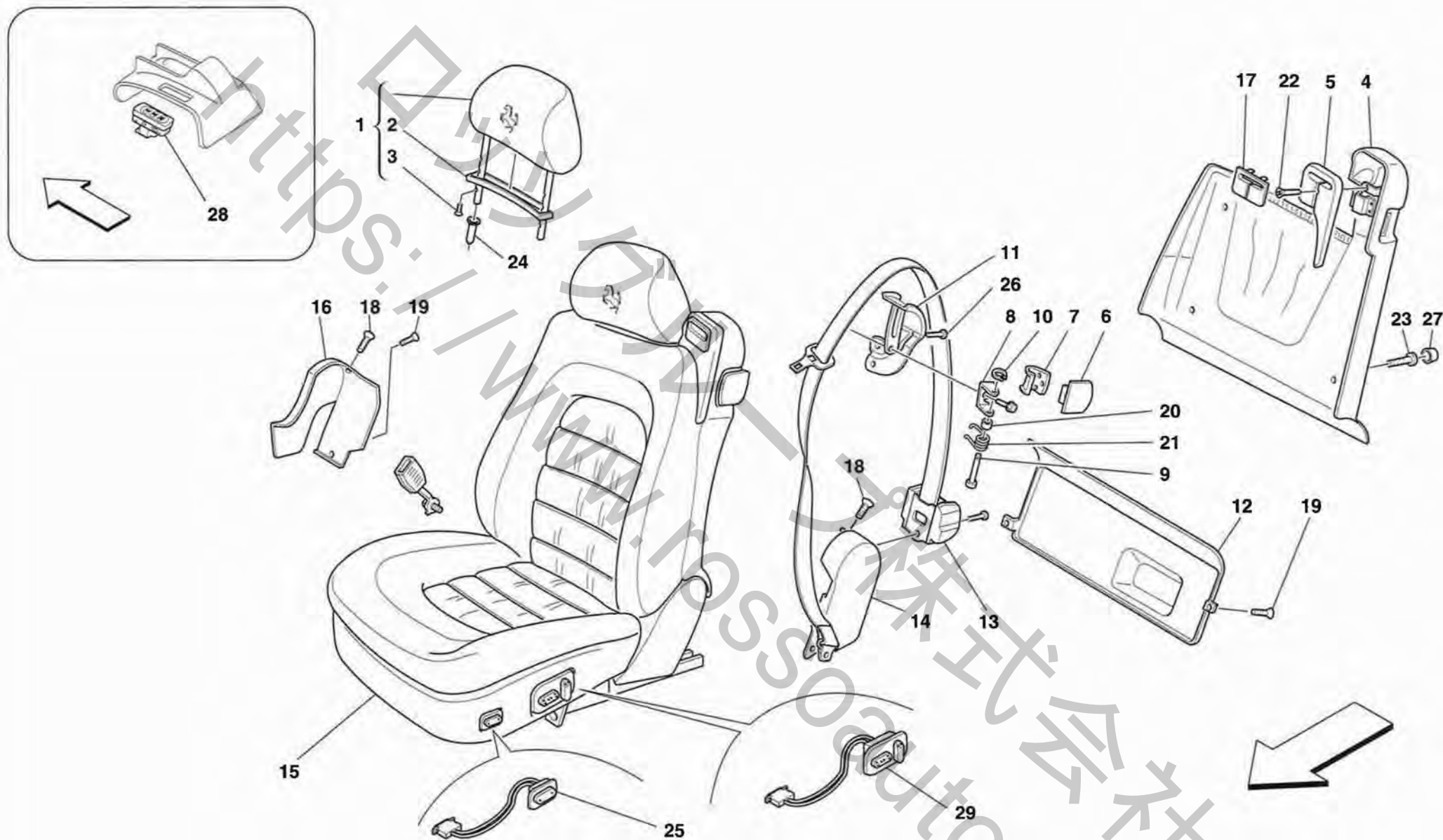
**456MGT/GTA**

**CRISTALLI E GUARNIZIONI**  
**GLASSES AND GASKET**

**TAV. 119**

DATA: OTTOBRE '98

Rif	Dis.N° Part.N°	Q.ty	Denominazione	Description	Rif	Dis.N° Part.N°	Q.ty	Denominazione	Description
1	63878300	1	CRISTALLO PARABREZZA	WINDSCREEN GLASS	12	63879300	1	GUARNIZIONE INFERIORE	REAR LOWER
2	62876100	1	SPECCHIO RETROVISORE	REAR VIEW MIRROR				POSTERIORE	GASKET
3	65645300	1	CRISTALLO LATERALE POSTERIORE SX.	L.H. REAR SIDE GLASS	13	63212700	1	MOLURA ANTERIORE	FRONT MOULDING
			-Completo di guarnizioni-	-With gaskets-	14	63893500	1	GUARNIZIONE ANTERIORE	FRONT GASKET
4	65645200	1	CRISTALLO LATERALE POSTERIORE DX.	R.H. REAR SIDE GLASS				-Guarnizione con BORDINO-	-Guarnizione with FLAT BAND-
			-Completo di guarnizioni-	-With gaskets-	15	63012600	1	GUARNIZIONE	GASKET
5	65568300	1	CRISTALLO LUNOTTO	REAR-WINDOW GLASS	16	62797300	1	SIGILLANTE	SEALING
6	63597000	1	COLLANTE PARABREZZA	WINDSHIELD ADHESIVE	17	65435600	1	GUARNIZIONE VANO PORTA SX.	GASKET FOR L.H. DOOR OPENING
7	63212400	1	MOLURA SUPERIORE POSTERIORE	UPPER REAR MOULDING	-	65435500	1	GUARNIZIONE VANO PORTA DX.	GASKET FOR R.H. DOOR OPENING
8	63212600	1	COPRIGIUNTO SX.	L.H. JOINT COVERING	18	65689500	1	MOLURA GRONDA SX.	L.H. MOULDING
9	63212300	1	MOLURA INFERIORE POSTERIORE LUNOTTO	LOWER REAR UNDER WINDOW MOULDING	-	65689400	1	MOLURA GRONDA DX.	R.H. MOULDING
10	63212500	1	COPRIGIUNTO DX.	R.H. JOINT COVERING	19	16083501	18	VITE	SCREW
11	63893400	1	GUARNIZIONE SUPERIORE POSTERIORE	REAR UPPER GASKET	20	64569500	18	MOLLETTA	CLIP
			-Guarnizione con BORDINO-	-Gasket with FLAT BAND-	21	65456400	1	LAMIERINO CONTENIMENTO GUARNIZIONE SX.	L.H. GASKET RETAINING PLATE
					-	65456300	1	LAMIERINO CONTENIMENTO GUARNIZIONE DX.	R.H. GASKET RETAINING PLATE
					22	16083501	2	VITE	SCREW



**456MGT/GTA**

**SEDILI ANTERIORI E CINTURE DI SICUREZZA**  
**FRONT SEATS AND SEAT BELTS**

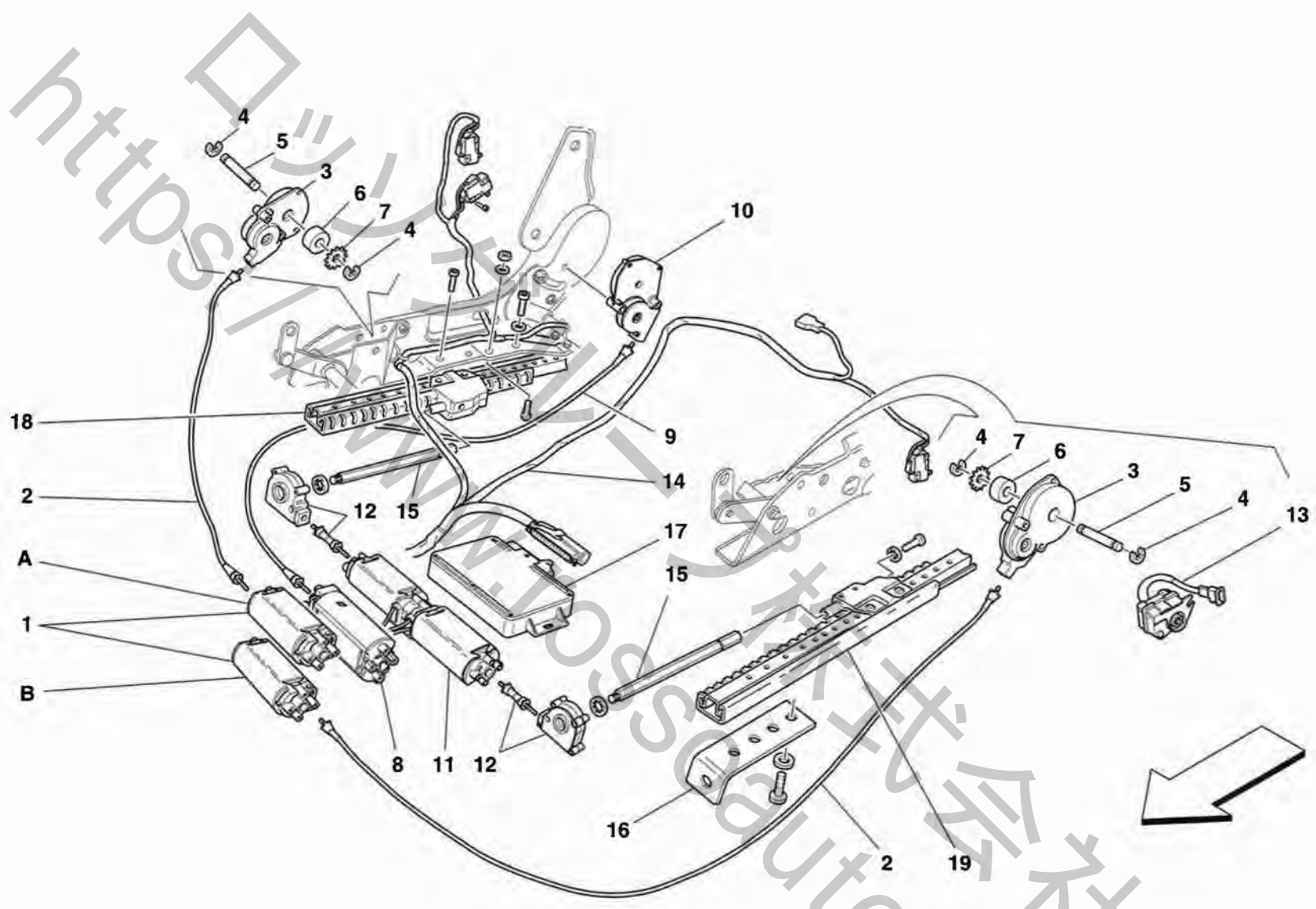
**TAV. 120**

DATA: OTTOBRE '98



Rif	Dis.N° Part.N°	Q.ty	Denominazione	Description	Rif	Dis.N° Part.N°	Q.ty	Denominazione	Description
-	658321..	1	SEDILE SX. COMPLETO DI GUIDE	L.H. SEAT COMPLETE WITH GUIDES	-	644249..	1	COPRISNODO ESTERNO	COVERED R.H. SEAT BACK
-	658322..	1	SEDILE DX. COMPLETO DI GUIDE	R.H. SEAT COMPLETE WITH GUIDES				SCHIENALE DX. RIVESTITO	OUTER JOINT
1	639135..	2	APPOGGIATESTA RIVESTITO	COVERED HEAD-REST SUPPORT	-	643959..	1	RIVESTIMENTO DX.	R.H. LINING
-	639068..	2	RIVESTIMENTO APPOGGIATESTA	HEAD-REST LINING	15	654820..	1	RICOPRIMENTO ESTERNO	COVERED L.H. CUSHION
2	64432100	2	COPERCHIO PER RIVESTIMENTO	COVER FOR TRIM				CUSCINO SX. RIVESTITO	OUTER COVER
3	15691401	4	VITE	SCREW	-	654819..	1	RICOPRIMENTO ESTERNO	COVERED R.H. CUSHION
4	654808..	1	RICOPRIMENTO RETROSCHIENALE	COVERED L.H. SEAT BACK				CUSCINO DX. RIVESTITO	OUTER COVER
			SX. RIVESTITO	COVERING	16	644241..	1	COPRISNODO INTERNO	COVERED L.H. SEAT BACK
-	643947..	1	RIVESTIMENTO SX.	L.H. LINING				SCHIENALE SX. RIVESTITO	INNER JOINT COVER
-	654807..	1	RICOPRIMENTO RETROSCHIENALE	COVERED R.H. SEAT BACK	-	643961..	1	RIVESTIMENTO SX.	L.H. LINING
			DX. RIVESTITO	COVERING	-	644248..	1	COPRISNODO INTERNO	COVERED R.H. SEAT BACK
-	643948..	1	RIVESTIMENTO DX.	R.H. LINING				SCHIENALE DX. RIVESTITO	INNER JOINT COVER
5	644238..	1	PASSANASTRO SCHIENALE SX.	L.H. SEAT BACK BELT-SLIDING	-	643958..	1	RIVESTIMENTO DX.	R.H. LINING
-	643949..	1	RIVESTIMENTO SX.	L.H. LINING	17	63915300	1	MOSTRINA CINTURA DI	L.H. PLATE FOR SAFETY
-	644246..	1	PASSANASTRO SCHIENALE DX.	R.H. SEAT BACK BELT-SLIDING				SICUREZZA SX.	BELT
-	643950..	1	RIVESTIMENTO DX.	R.H. LINING	-	64461900	1	MOSTRINA CINTURA DI	R.H. PLATE FOR SAFETY
6	63907500	2	MANIGLIA DI SGANCIO SEDILE	HANDLE FOR SEAT RELEASE				SICUREZZA DX.	BELT
7	65261800	2	LEVA DI COMANDO SGANCIO	CONTROL LEVER FOR SEAT	18	13309877	2	VITE	SCREW
			SEDILE	RELEASE	19	13309277	10	VITE	SCREW
8	65261600	1	STAFFA SX.	L.H. BRACKET	20	63915500	4	BOCCOLA	BUSHING
-	65261700	1	STAFFA DX.	R.H. BRACKET	21	63915200	2	MOLLA	SPRING
9	63907400	2	PERNO	PIN	22	15917177	2	VITE	SCREW
10	11087476	2	ANELLO SEEGER	SEEGER RING	23	15932311	4	VITE	SCREW
11	63906900	1	STAFFA SUPPORTO CINTURA SX.	L.H. BRACKET FOR BELTS SUPPORT	24	20058905	4	BOCCOLA	BUSHING
-	63907000	1	STAFFA SUPPORTO CINTURA DX.	R.H. BRACKET FOR BELTS SUPPORT	25	65838400	1	GRUPPO PULSANTIERA	L.H. SWITCH
12	654814..	1	RICOPRIMENTO INFERIORE	COVERED L.H. LOWER SEAT				COMANDO LOMBARE SX.	PANEL
			RETROSCHIENALE SX. RIVESTITO	BACK COVERING	-	65838300	1	GRUPPO PULSANTIERA	R.H. SWITCH
-	654818..	1	RIVESTIMENTO SX.	L.H. LINING				COMANDO LOMBARE DX.	PANEL
-	654813..	1	RICOPRIMENTO INFERIORE	COVERED R.H. LOWER SEAT	26	102939	4	VITE	SCREW
			RETROSCHIENALE DX. RIVESTITO	BACK COVERING	27	64462400	2	COPRIVITE	CAP FOR SCREW
-	654817..	1	RIVESTIMENTO DX.	R.H. LINING	28	174766	1	PULSANTIERA COMANDO	SEAT MEMORIES CONTROL
13	63960200	1	SERIE CINTURE DI SICUREZZA	FRONT SAFETY BELTS				MEMORIA SEDILE	SWITCH PANEL
			ANTERIORI	SET	29	65842400	1	MOSTRINA JOYSTICK COMANDI	L.H. SEAT CONTROLS
			-No per USA e CDN-	-Not for USA and CDN-				SEDILE SX.	JOYSTICK
-	64928500	1	SERIE CINTURE DI SICUREZZA	FRONT SAFETY BELTS	-	65842300	1	MOSTRINA JOYSTICK COMANDI	R.H. SEAT CONTROLS
			ANTERIORI	SET				SEDILE DX.	JOYSTICK
			-Vale per USA e CDN-	-Valid for USA and CDN-					
14	644240..	1	COPRISNODO ESTERNO	COVERED L.H. SEAT BACK					
			SCHIENALE SX. RIVESTITO	OUTER JOINT					
-	643960..	1	RIVESTIMENTO SX.	L.H. LINING					

PER I CODICI DEI PARTICOLARI RIVESTITI IN PELLE SEE RELEVANT TABLE FOR CODES OF PARTS  
E PER LE SERIE COMPLETE DEI TAPPETI MOQUETTE COVERED IN LEATHER AND FOR THE COM-  
VEDI TAVOLA APPOSITA. PLETE SERIES OF MOQUETTE CARPETS.



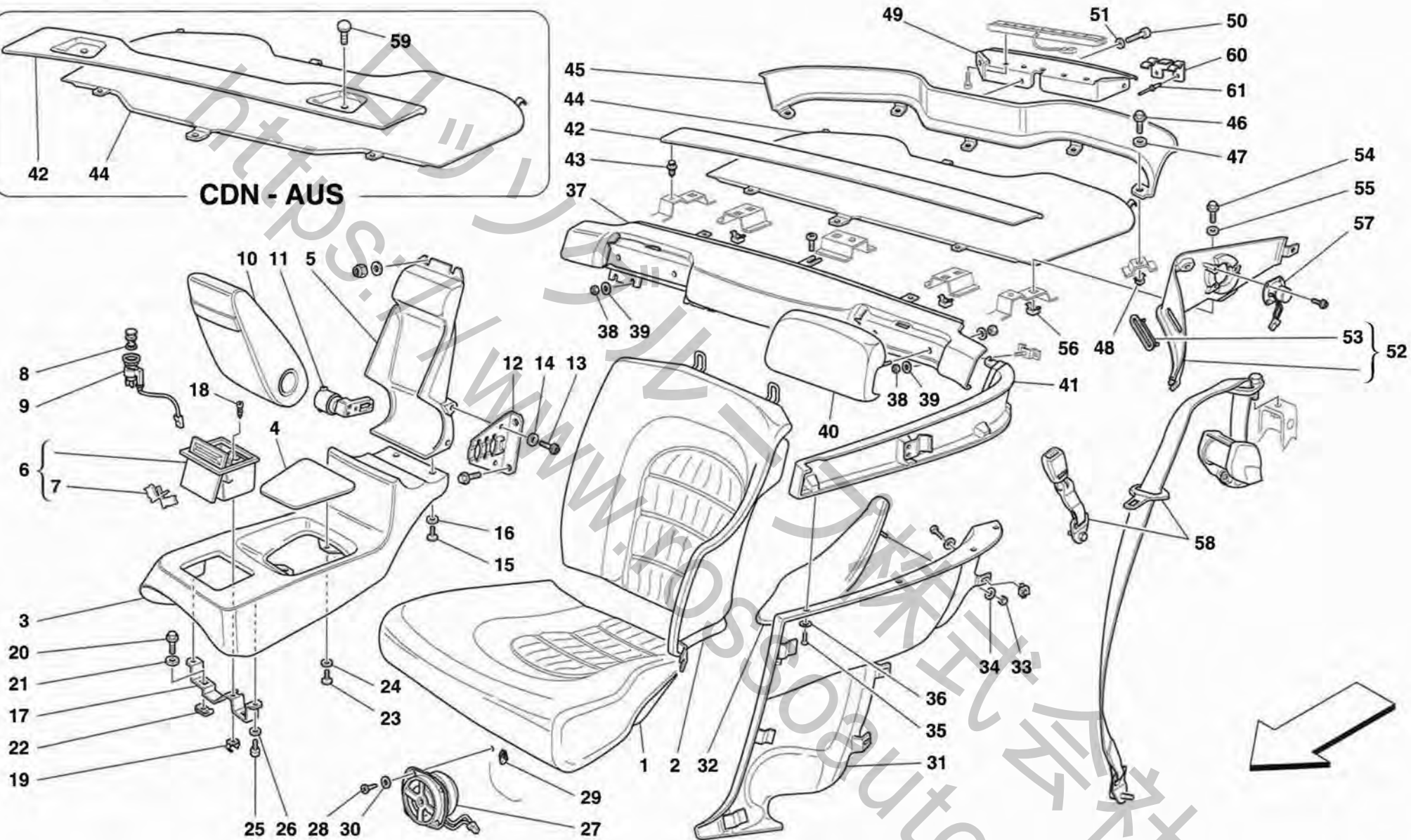
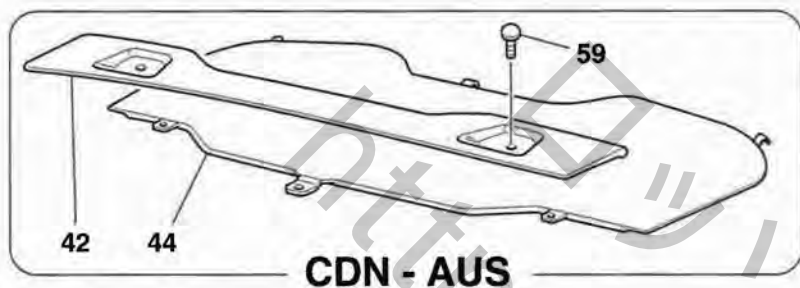
**456MGT/GTA**

**MOVIMENTAZIONE SEDILI ANTERIORI**  
**FRONT SEAT MOVEMENT SYSTEM**

**TAV. 121**

DATA: OTTOBRE '98

Rif	Dis.N° Part.N°	Q.ty	Denominazione	Description	Rif	Dis.N° Part.N°	Q.ty	Denominazione	Description
1	65913300	2	MOTORINO ALZASEDILE LATO PILOTA	DRIVER SEAT LIFTING MOTOR	10	65877000	2	RIDUTTORE MOVIMENTO SCHIENALE	SEAT BACK MOVEMENT UNION
-	65876100	2	MOTORINO ALZASEDILE LATO PASSEGGERO	- "A" Forward, "B" Backwards- PASSENGER SEAT LIFTING MOTOR	11	65913000	2	MOTORE SCORRIMENTO GUIDE	GUIDE MOTOR
2	65876200	4	FLESSIBILE MOTORINO ALZASEDILE	- "A" Forward, "B" Backwards- SEAT LIFTING MOTOR FLEX	12	65877200	4	RIDUTTORE MOVIMENTO GUIDE	GUIDE MOVEMENT UNION
3	65876300	4	RIDUTTORE MOTORINO ALZASEDILE	SEAT LIFTING MOTOR UNION	13	65912300	2	POTENZIOMETRO	POTENTIOMETER
4	65876400	8	ANELLO SEEGER	SEGER RING	14	65912600	2	CAVO ELETTRICO SEDILE PILOTA	DRIVER SIDE ELECTRIC CABLE
5	65876500	4	PERNO	PIN	-	65912700	2	CAVO ELETTRICO SEDILE PASSEGGERO	PASSENGER SIDE ELECTRIC CABLE
6	65876600	4	DISTANZIALE	SPACER	15	65913100	4	ALBERINO	SHAFT
7	65876700	4	INGRANAGGIO	GEAR	16	65877600	2	STAFFA ANTERIORE	FRONT BRACKET
8	65876100	2	MOTORE MOVIMENTO SCHIENALE	SEAT BACK MOTOR MOVEMENT	17	65912500	2	CENTRALINA CONTROLLO SEDILE	SEAT CONTROL UNIT
9	65876900	2	FLESSIBILE PER MOTORE SCHIENALE	FLEX FOR SEAT BACK MOTOR	18	65912800	2	GUIDA SEDILI -Lato Dx.-	SEATS GUIDE -R.h. side-
					19	65912900	2	GUIDA SEDILI -Lato Sx.-	SEATS GUIDE -L.h. side-



**456MGT/GTA**

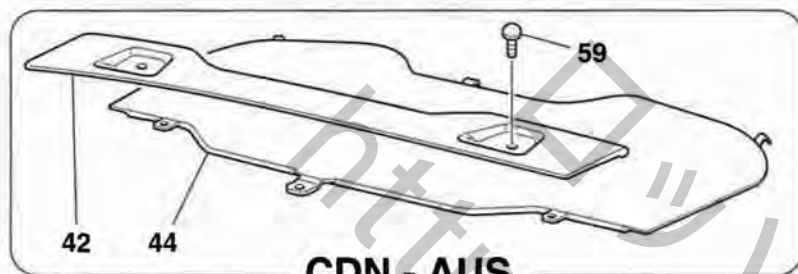
**SEDILI POSTERIORI E CINTURE DI SICUREZZA**  
**REAR SEATS AND BELTS**

**TAV. 122**

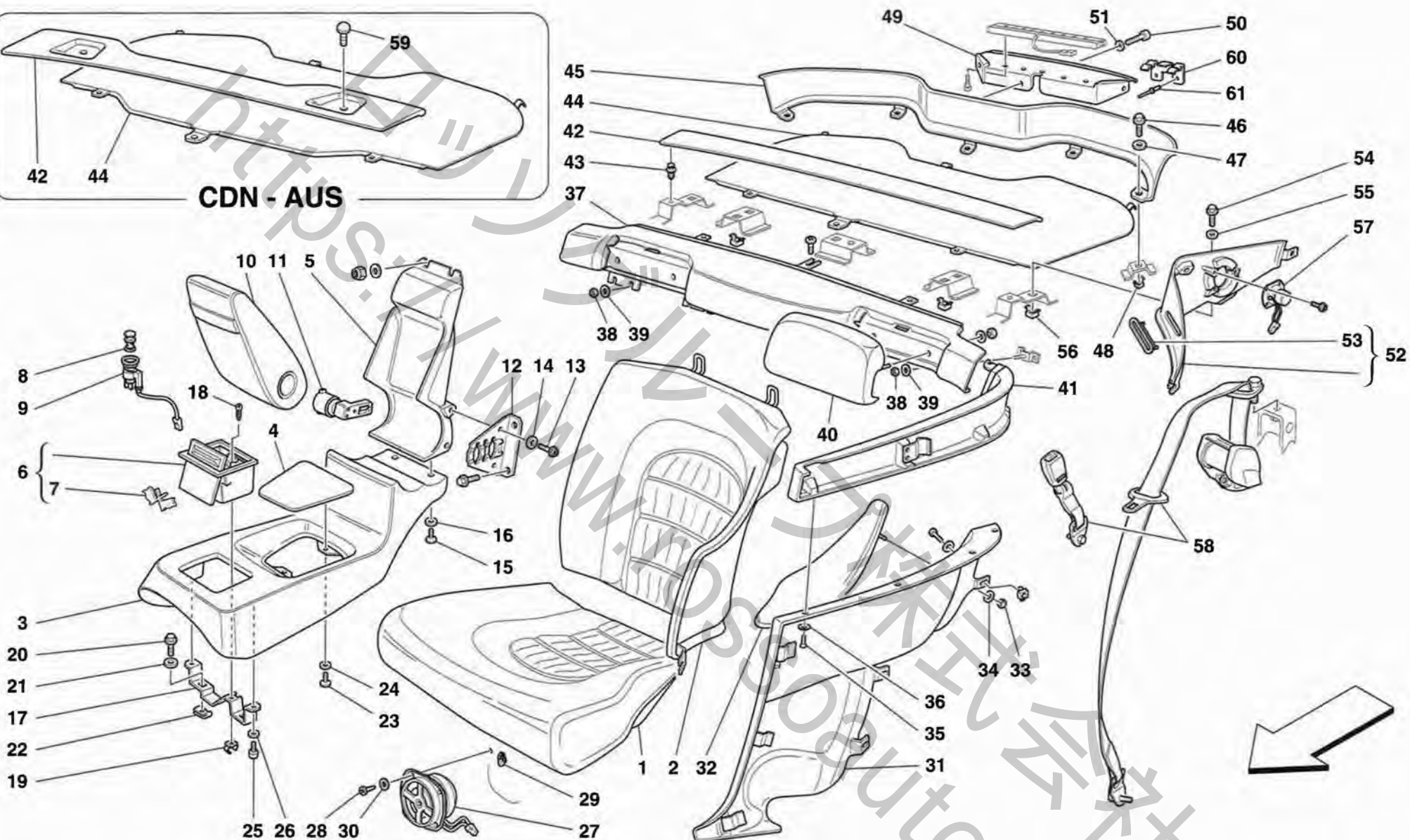
DATA: OTTOBRE '98



Rif	Dis.N° Part.N°	Q.ty	Denominazione	Description	Rif	Dis.N° Part.N°	Q.ty	Denominazione	Description
1	654729..	1	CUSCINO POST. SX.	L.H. REAR CUSHION	-	656731..	1	RIVESTIMENTO SX.	L.H. LINING
-	655713..	1	RIVESTIMENTO CUSCINO SX.	L.H. CUSHION UPHOLSTERY	-	656727..	1	FIANCHETTO POSTERIORE INFERIORE DX.	R.H. LOWER REAR SIDE PANEL
-	654728..	1	CUSCINO POST. DX.	R.H. REAR CUSHION	-	656732..	1	RIVESTIMENTO DX.	R.H. LINING
-	655712..	1	RIVESTIMENTO CUSCINO DX.	R.H. CUSHION UPHOLSTERY	32	656498..	1	BRACCIOLO FIANCHETTO SX.	L.H. ARM REST SIDE PANEL
2	654727..	1	SCHIENALE SEDILE POST. SX.	L.H. SEAT BACK	-	657589..	1	RIVESTIMENTO SX.	L.H. LINING
-	655509..	1	RIVESTIMENTO SCHIENALE SX.	L.H. SEAT BACK TRIM	-	656497..	1	BRACCIOLO FIANCHETTO DX.	R.H. ARM REST SIDE PANEL
-	654726..	1	SCHIENALE SEDILE POST. DX.	R.H. SEAT BACK	-	657588..	1	RIVESTIMENTO DX.	R.H. LINING
-	655508..	1	RIVESTIMENTO SCHIENALE DX.	R.H. SEAT BACK TRIM	33	14084011	8	DADO	NUT
3	654139..	1	MOBILETTO POST. INFERIORE	REAR LOWER CONSOLE	34	64222800	8	ROSETTA	WASHER
-	654140..	1	RIVESTIMENTO MOBILETTO	CONSOLE TRIM	35	13274472	8	VITE	SCREW
4	652873..	1	POZZETTO COMPLETO	COMPLETE MOULDING	36	12601177	8	ROSETTA	WASHER
-	654152..	1	RIVESTIMENTO	LINING	37	655511..	1	FASCIONE POSTERIORE	REAR PANEL
5	654132..	1	MOBILETTO POST. SUPERIORE	UPPER LOWER CONSOLE	-	655714..	1	RIVESTIMENTO FASCIONE	PANEL LINING
-	654137..	1	RIVESTIMENTO MOBILETTO	CONSOLE TRIM	38	15896470	4	DADO	NUT
6	65471400	1	POSACENERE COMPLETO	COMPLETE ASH TRAY	39	12638124	4	ROSETTA	WASHER
7	64460400	1	BANDIERINE FERRARI-PININFARINA	FERRARI-PININFARINA MARK	40	637774..	2	APPOGGIATESTA POSTERIORE	REAR HEAD-REST
8	61107500	1	ACCENDISIGARI	CIGAR LIGHTER	-	640606..	2	RIVESTIMENTO APPOGGIATESTA	HEAD-REST TRIM
9	61107600	1	CORPO ACCENDISIGARI	CIGAR LIGHTER BODY	41	656735..	1	FIANCHETTO POSTERIORE SUPERIORE SX.	L.H. UPPER REAR SIDE PANEL
10	652874..	1	APPOGGIABRACCIA COMPLETO	COMPLETE ARM-REST	-	656742..	1	RIVESTIMENTO SX.	L.H. LINING
-	654154..	1	RIVESTIMENTO	LINING	-	656734..	1	FIANCHETTO POSTERIORE SUPERIORE DX.	R.H. UPPER REAR SIDE PANEL
11	65559500	2	PERNO	PIN	-	656741..	1	RIVESTIMENTO DX.	R.H. LINING
12	65414200	2	STAFFA	BRACKET	42	656187..	1	FASCIA ANTERIORE SOTTOLUNOTTO	FRONT CLAMP UNDER REAR WINDOW
13	10977624	4	VITE	SCREW	-	655572..	1	RIVESTIMENTO FASCIA	PANEL LINING
14	12638124	4	ROSETTA	WASHER	-	656188..	1	FASCIA ANTERIORE SOTTOLUNOTTO	FRONT CLAMP UNDER REAR WINDOW
15	14304124	2	VITE	SCREW	-	656531..	1	RIVESTIMENTO FASCIA	PANEL LINING
16	12638124	2	ROSETTA	WASHER	43	14188181	3	FERMAGLIO	RETAINER
17	65287100	1	STAFFA INFERIORE	LOWER BRACKET	44	655550..	1	RIPIANO SOTTOLUNOTTO	REAR UNDER WINDOW PANEL
18	15688175	1	VITE	SCREW	-	655562..	1	RIVESTIMENTO RIPIANO SOTTOLUNOTTO	COVERING REAR UNDER WINDOW PANEL
19	14372574	1	STAFFETTA	BRACKET	-	656526..	1	RIPIANO SOTTOLUNOTTO	REAR UNDER WINDOW PANEL
20	16285011	2	VITE	SCREW	-				
21	12638124	2	ROSETTA	WASHER					
22	62764200	2	MOLLETTA	CLIP					
23	13273872	2	VITE	SCREW					
24	12638124	2	ROSETTA	WASHER					
25	13273872	2	VITE	SCREW					
26	12638124	2	ROSETTA	WASHER					
27	174807	2	ALTOPARLANTE SUBWOOFER	LOUD SPEAKER SUBWOOFER					
28	15687375	8	VITE	SCREW					
29	14371971	8	MOLLETTA	CLIP					
30	10519278	8	ROSETTA	WASHER					
31	656728..	1	FIANCHETTO POSTERIORE INFERIORE SX.	L.H. LOWER REAR SIDE PANEL					



CDN - AUS

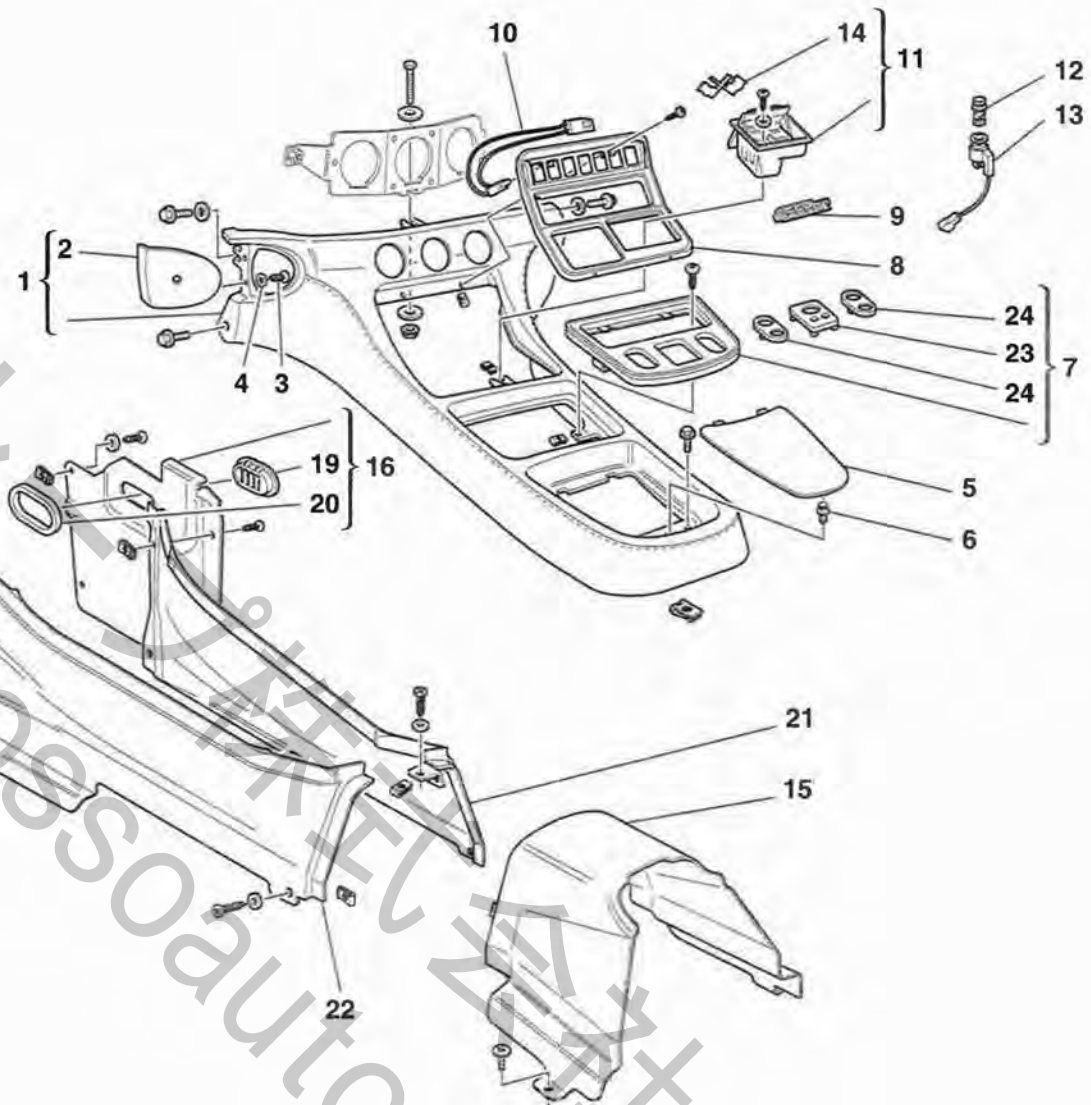
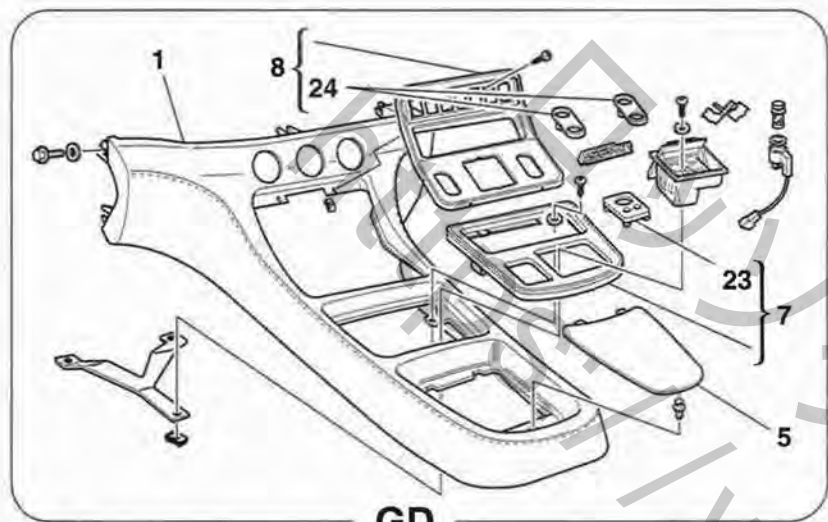


**456MGT/GTA**

**SEDILI POSTERIORI E CINTURE DI SICUREZZA**  
**REAR SEATS AND BELTS**

**TAV. 122**  
 DATA: OTTOBRE '98

Rif	Dis.N° Part.N°	Q.ty	Denominazione	Description	Rif	Dis.N° Part.N°	Q.ty	Denominazione	Description
-	656528..	1	RIVESTIMENTO RIPIANO SOTTOLUNOTTO -Vale per CDN e AUS-	COVERING REAR UNDER WINDOW PANEL -Valid for CDN and AUS-	54	16285011	4	VITE	SCREW
45	655551..	1	COPERTURA POST. SOTTOLUNOTTO	UNDER WINDOW REAR COVER	-	13833614	2	VITE	SCREW
-	655564..	1	RIVESTIMENTO	LINING	55	13577701	6	ROSETTA	WASHER
46	16285011	5	VITE	SCREW	56	14647590	6	DADO CON GABBIA	NUT WITH CAGE
47	13577701	5	ROSETTA	WASHER	57	155045	2	ALTOPARLANTE TONI MEDI	LOUD SPEAKER MID-RANGE
48	14647590	5	DADO CON GABBIA	NUT WITH CAGE	58	<b>64999500</b>	1	<b>CINTURE DI SICUREZZA</b>	<b>SAFETY BELTS</b>
49	655549..	1	SOSTEGNO 3° STOP	STOP LAMP MOULDING	-	<b>64999800</b>	1	<b>CINTURE DI SICUREZZA</b>	<b>SAFETY BELTS</b>
-	655574..	1	RIVESTIMENTO	LINING	59	644881..	2	TAPPO COMPLETO CONFEZIONATO	COVERED COMPLETE PLUG
50	13273911	3	VITE	SCREW	-			-Vale per USA e CDN-	-Valid for USA and CDN-
51	13577701	3	ROSETTA	WASHER	60	65616300	1	STAFFA SUPPORTO 3° STOP	SUPPORTING BRACKET FOR STOP LAMP
52	656186..	1	FASCIA LATERALE SX.	L.H. LATERAL PANEL	61	14641191	2	RIVETTO	RIVET
-	655569..	1	RIVESTIMENTO SX.	L.H. LINING	<p>PER I CODICI DEI PARTICOLARI RIVESTITI IN PELLE E PER LE SERIE COMPLETE DEI TAPPETI MOQUETTE VEDI TAVOLA APPOSITA.</p> <p>SEE RELEVANT TABLE FOR CODES OF PARTS COVERED IN LEATHER AND FOR THE COM- PLETE SERIES OF MOQUETTE CARPETS.</p>				
-	656185..	1	FASCIA LATERALE DX.	R.H. LATERAL PANEL					
-	655568..	1	RIVESTIMENTO DX.	R.H. LINING					
53	63734000	2	MOSTRINA CINTURA DI SICUREZZA	PLATE FOR SAFETY BELT					



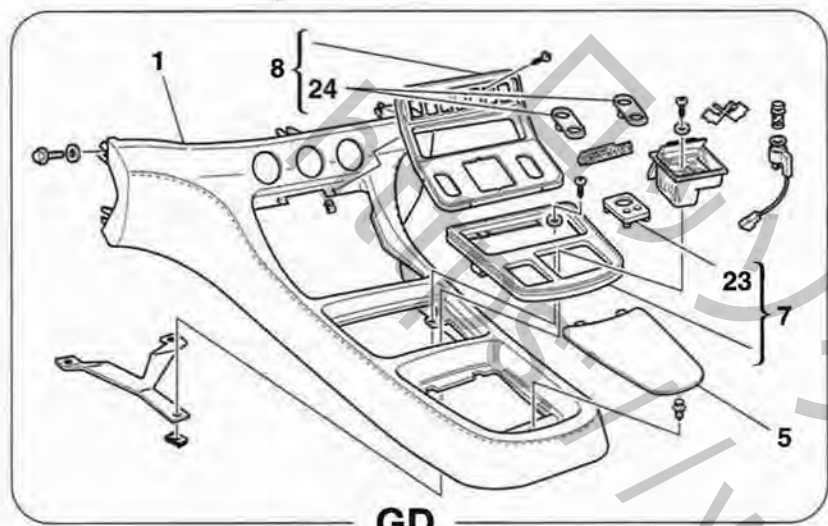
**456MGT/GTA**

*TUNNEL - RIVESTIMENTI ED ACCESSORI*  
*TUNNEL - UPHOLSTERY AND ACCESSORIES*

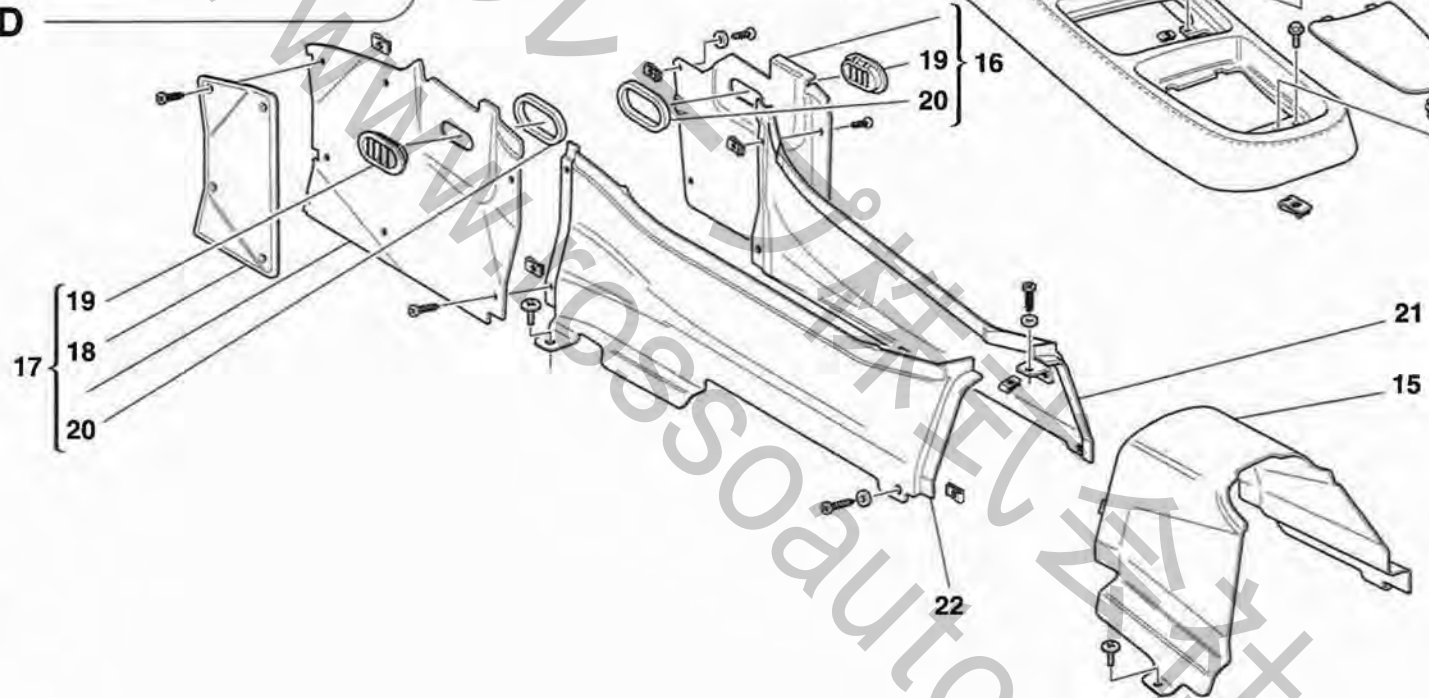
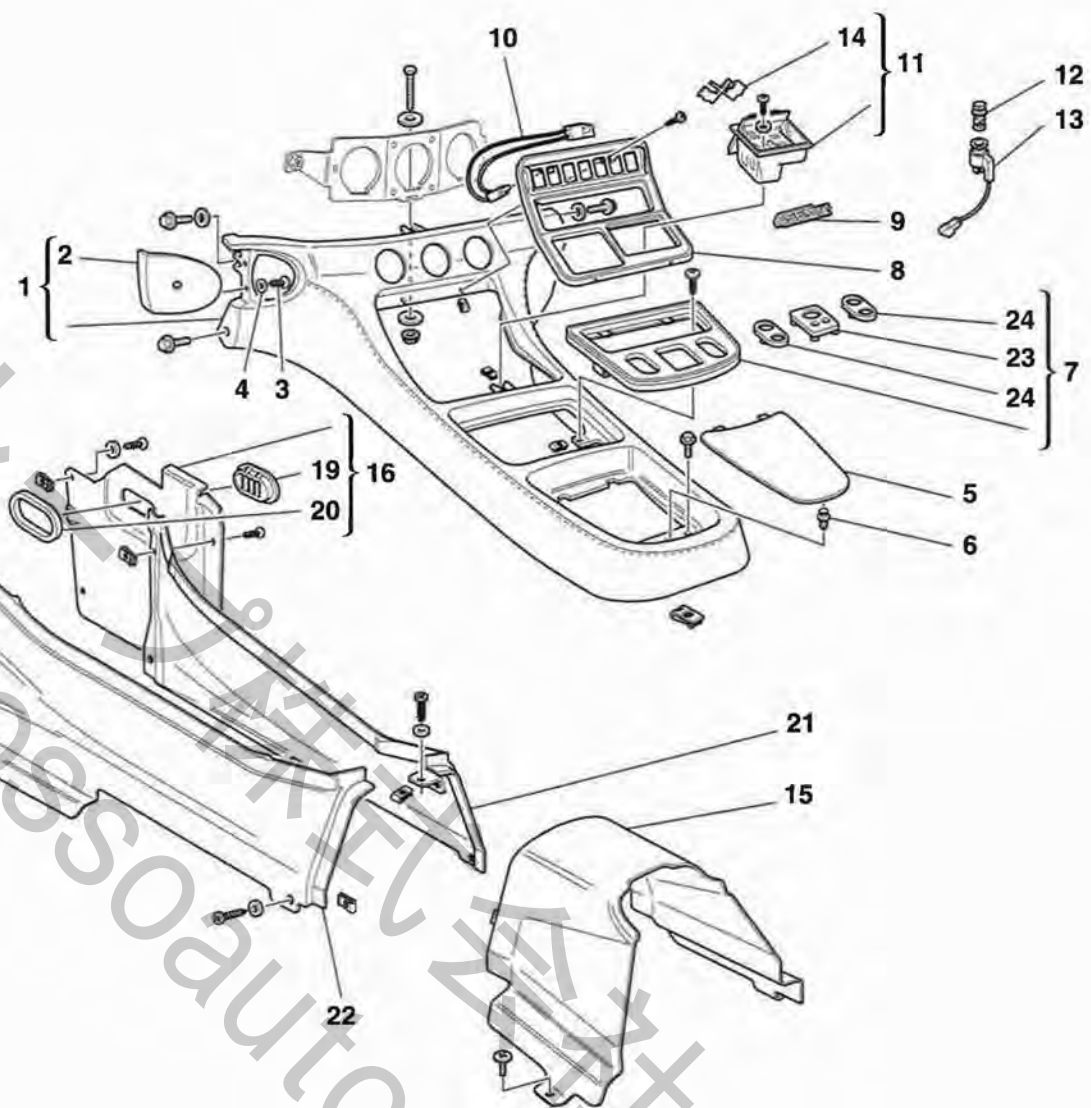
**TAV. 123**  
 DATA: OTTOBRE '98



Rif	Dis.N° Part.N°	Q.ty	Denominazione	Description	Rif	Dis.N° Part.N°	Q.ty	Denominazione	Description
1	654625..	1	MOBILETTO COPRITUNNEL ANT.	FRONT TUNNEL COVER CONSOLE	-	656153..	1	RIVESTIMENTO	LINING
-	654635..	1	RIVESTIMENTO	LINING	-	654688..	1	RIPIANO ANT. MOBILETTO	FRONT PANEL FOR CONSOLE
-	656042..	1	MOBILETTO COPRITUNNEL ANT.	FRONT TUNNEL COVER CONSOLE	-	656412..	1	RIPIANO ANT. MOBILETTO	FRONT PANEL FOR CONSOLE
-	656148..	1	RIVESTIMENTO	LINING	-	656451..	1	RIVESTIMENTO	LINING
2	654144..	1	RIPORTO MOBILETTO	TUNNEL MOULDING	-	656150..	1	RIVESTIMENTO	LINING
-	654646..	1	RIVESTIMENTO	LINING	-	65650000	1	TARGHETTA "456M GT"	PLATE "456M GT"
3	15902670	3	VITE	SCREW	-	65653000	1	TARGHETTA "456M GTA"	PLATE "456M GTA"
4	14496201	3	ROSETTA	WASHER	10	167064	1	LED SEGNALAZIONE SISTEMA	ANTITHEFT WARNING LIGHT
5	652884..	1	RIPIANO POSTERIORE MOBILETTO	LOWER PANEL FOR CONSOLE	11	65471400	1	POSACENERE MOBILETTO	CONSOLE ASH TRAY
-	654644..	1	RIVESTIMENTO	LINING	12	61107500	1	ACCENDISIGARI	CIGAR LIGHTER
-	656047..	1	RIPIANO POSTERIORE MOBILETTO	LOWER PANEL FOR CONSOLE	13	61107600	1	CORPO ACCENDISIGARI	CIGAR LIGHTER BODY
-	656158..	1	RIVESTIMENTO	LINING	14	64460400	1	BANDIERINE FERRARI-PININFARINA	FERRARI-PININFARINA MARK
6	14188181	1	FERMAGLIO	RETAINER	15	652888..	1	MOBILETTO COPRITUNNEL	TUNNEL COVER CONSOLE
7	654148..	1	RIPIANO POST. MOBILETTO	REAR PANEL FOR CONSOLE	-	654634..	1	RIVESTIMENTO	LINING
-	655544..	1	RIVESTIMENTO	LINING	16	652886..	1	COPRITUNNEL ANT. DX.	R.H. FRONT TUNNEL COVER
-	656413..	1	RIPIANO POST. MOBILETTO	REAR PANEL FOR CONSOLE	-	654649..	1	RIVESTIMENTO	LINING
-	656155..	1	RIVESTIMENTO	LINING	-	655600..	1	COPRITUNNEL ANT. DX.	R.H. FRONT TUNNEL COVER
8	652883..	1	RIPIANO ANT. MOBILETTO	FRONT PANEL FOR CONSOLE	-	655604..	1	RIVESTIMENTO	LINING
-	656414..	1	RIPIANO ANT. MOBILETTO	FRONT PANEL FOR CONSOLE	17	652887..	1	COPRITUNNEL ANT. SX.	L.H. FRONT TUNNEL COVER
-	654636..	1	RIVESTIMENTO	LINING	-	654650..	1	RIVESTIMENTO	LINING
					-	655601..	1	COPRITUNNEL ANT. SX.	L.H. FRONT TUNNEL COVER



GD



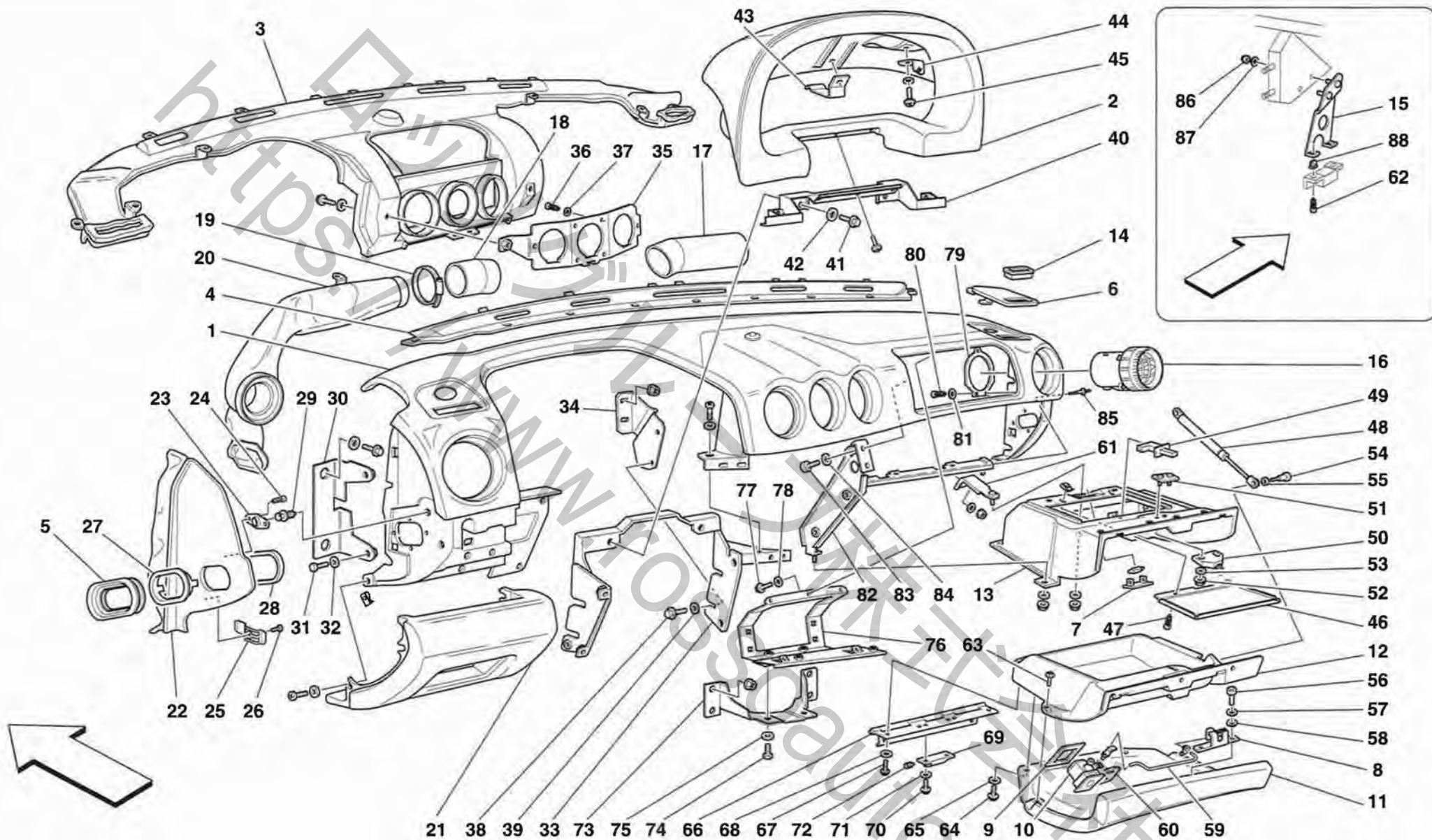
**456MGT/GTA**

TUNNEL - RIVESTIMENTI ED ACCESSORI  
 TUNNEL - UPHOLSTERY AND ACCESSORIES

TAV. 123

DATA: OTTOBRE '98

Rif	Dis.N° Part.N°	Q.ty	Denominazione	Description	Rif	Dis.N° Part.N°	Q.ty	Denominazione	Description
-	655605..	1	RIVESTIMENTO -Vale per GD-	LINING -Valid for GD-	-	654632..	1	RIVESTIMENTO -No per GD-	LINING -Not for GD-
18	63784900	1	PIASTRA TUNNEL -No per GD-	TUNNEL PLATE -Not for GD-	-	655607..	1	COPRITUNNEL CENTRALE SX. -Vale per GD-	L.H.CENTRAL TUNNEL COVER -Valid for GD-
19	63783700	2	BOCCHETTA ARIA	AIR OPENING	-	655611..	1	RIVESTIMENTO -Vale per GD-	LINING -Valid for GD-
20	63783800	2	GUARNIZIONE	GASKET	23	65414700	1	MOSTRINA INTERRUTTORE RETROVISORE	PLATE FOR MIRRORS SWITCHES
21	652889..	1	COPRITUNNEL CENTRALE DX. -No per GD-	R.H. CENTRAL TUNNEL COVER -Not for GD-	24	65414600	2	MOSTRINA INTERRUTTORI TONDI	SWITCHES PLATE
-	654631..	1	RIVESTIMENTO -No per GD-	LINING -Not for GD-	<div style="border: 1px solid black; padding: 5px;">           PER I CODICI DEI PARTICOLARI RIVESTITI IN PELLE E PER LE SERIE COMPLETE DEI TAPPETI MOQUETTE VEDI TAVOLA APPOSITA. SEE RELEVANT TABLE FOR CODES OF PARTS COVERED IN LEATHER AND FOR THE COMPLETE SERIES OF MOQUETTE CARPETS.         </div>				
-	655606..	1	COPRITUNNEL CENTRALE DX. -Vale per GD-	R.H. CENTRAL TUNNEL COVER -Valid for GD-					
-	655610..	1	RIVESTIMENTO -Vale per GD-	LINING -Valid for GD-					
22	652890..	1	COPRITUNNEL CENTRALE SX. -No per GD-	L.H. CENTRAL TUNNEL COVER -Not for GD-					



**456MGT/GTA**

PLANCIA  
DASHBOARD

TAV. 124

DATA: OTTOBRE '98

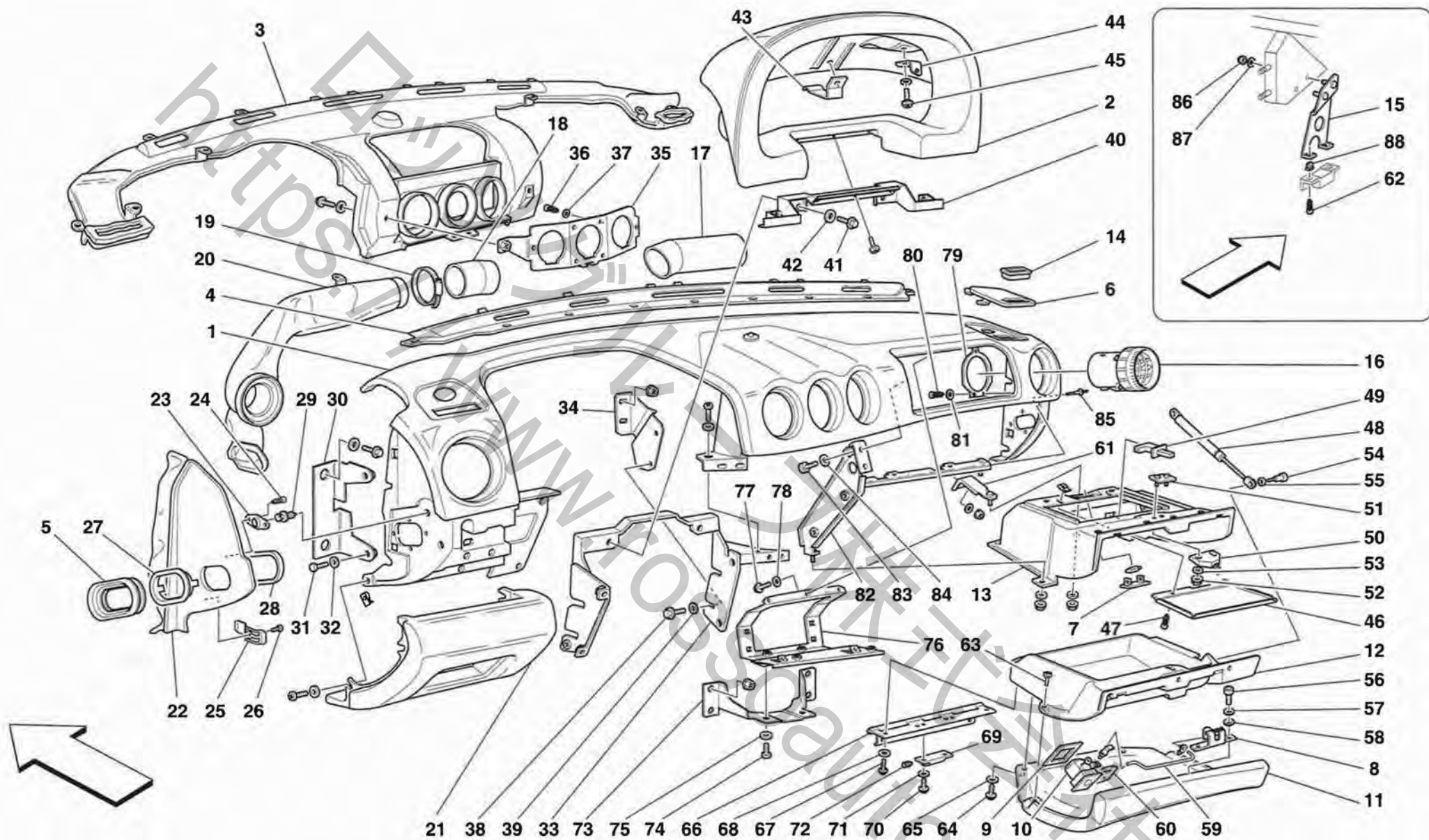


Rif	Dis.N° Part.N°	Q.ty	Denominazione	Description
1	652894..	1	OSSATURA PLANCIA COMPLETA RIVESTITA -No per GD-	COVERED COMPLETE DASHBOARD FRAMEWORK -Not for GD-
-	652893..	1	RIVESTIMENTO -No per GD-	LINING -Not for GD-
-	656310..	1	OSSATURA PLANCIA COMPLETA RIVESTITA -Vale per GD-	COVERED COMPLETE DASHBOARD FRAMEWORK -Valid for GD-
-	656306..	1	RIVESTIMENTO -Vale per GD-	LINING -Valid for GD-
2	652898..	1	CUPOLOTTO RIVESTITO -No per GD-	COVERED INSTRUMENTS DASHBOARD -Not for GD-
-	652897..	1	RIVESTIMENTO -No per GD-	LINING -Not for GD-
-	656350..	1	CUPOLOTTO RIVESTITO -Vale per GD-	COVERED INSTRUMENTS DASHBOARD -Valid for GD-
-	656352..	1	RIVESTIMENTO -Vale per GD-	LINING -Valid for GD-
3	65471800	1	DIFFUSORE ARIA -No per GD-	AIR DIFFUSER -Not for GD-
-	65630000	1	DIFFUSORE ARIA -Vale per GD-	AIR DIFFUSER -Valid for GD-
4	63202100	1	EBANISTERIA INFERIORE	LOWER ENCLOSURE
5	63203500	2	GUARNIZIONE ESTERNA CONDOTTO ARIA	AIR DUCTING OUTER GASKET
6	63204200	1	MOSTRINA BOCCHETTE ARIA DX.	R.H. AIR OUTLET PLATE
-	63204300	1	MOSTRINA BOCCHETTE ARIA SX.	L.H. AIR OUTLET PLATE
7	139517	1	PLAFONIERA LUCE CASSETTO	DOME LAMP
8	63768800	1	DISPOSITIVO SERRATURA CASSETTO	DRAWER LOCK DEVICE
9	63768900	1	PIASTRINA	PLATE
10	64926500	1	PULSANTE CHIUSURA	CLOSE BUTTON
11	654104..	1	SPORTELLO CASSETTO -No per GD-	GLOVE BOX SHUTTER -Not for GD-
-	654103..	1	RIVESTIMENTO -No per GD-	LINING -Not for GD-
-	656339..	1	SPORTELLO CASSETTO -Vale per GD-	GLOVE BOX SHUTTER -Valid for GD-
-	656341..	1	RIVESTIMENTO -Vale per GD-	LINING -Valid for GD-
12	65410800	1	CONTENITORE CASSETTO -No per GD-	GLOVE BOX CONTAINER -Not for GD-

Tavola 124 - PLANCIA DASHBOARD

Rif	Dis.N° Part.N°	Q.ty	Denominazione	Description
-	65633700	1	CONTENITORE CASSETTO -Vale per GD-	GLOVE BOX CONTAINER -Valid for GD-
13	65410600	1	CONTROSPORTELLO CASSETTO -No per GD-	GLOVE BOX FRAME -Not for GD-
-	65634400	1	CONTROSPORTELLO CASSETTO -Vale per GD-	GLOVE BOX FRAME -Valid for GD-
14	63204000	1	DIFFUSORE ARIA DX.	R.H. AIR DIFFUSER
-	63204100	1	DIFFUSORE ARIA SX.	L.H. AIR DIFFUSER
15	168961	1	STAFFA FISS. CONNETTORE OBD II	OBD II CONNECTOR FIXING BRACKET
16	63352600	5	BOCCHETTA ARIA	AIR OPENING
17	63219600	1	MANICOTTO DX. -No per GD-	R.H. SLEEVE -Not for GD-
-	65216600	1	MANICOTTO DX. -Vale per GD-	R.H. SLEEVE -Valid for GD-
18	64758200	1	MANICOTTO SX. -No per GD-	L.H. SLEEVE -Not for GD-
-	65217300	1	MANICOTTO SX. -Vale per GD-	L.H. SLEEVE -Valid for GD-
19	13000890	2	COLLARE A VITE	SCREW COLLAR
20	65290000	1	CONDOTTO ARIA SX. -No per GD-	L.H. AIR DUCTING -Not for GD-
-	65632500	1	CONDOTTO ARIA SX. -Vale per GD-	L.H. AIR DUCTING -Valid for GD-
-	65289900	1	CONDOTTO ARIA DX. -No per GD-	R.H. AIR DUCTING -Not for GD-
-	65632200	1	CONDOTTO ARIA DX. -Vale per GD-	R.H. AIR DUCTING -Valid for GD-
21	654151..	1	PARTE INFERIORE SX. PLANCIA -No per GD-	L.H. DASHBOARD LOWER PART -Not for GD-
-	654663..	1	RIVESTIMENTO SX. -No per GD-	LH. LINING -Not for GD-
-	656320..	1	PARTE INFERIORE DX. PLANCIA -Vale per GD-	R.H. DASHBOARD LOWER PART -Valid for GD-
-	656331..	1	RIVESTIMENTO DX. -Vale per GD-	R.H. LINING -Valid for GD-
22	654302..	1	CHIUSURA LATERALE PLANCIA SX. -No per GD-	L.H. LATERAL DASHBOARD MOULDING -Not for GD-
-	654666..	1	RIVESTIMENTO SX. -No per GD-	L.H. LINING -Not for GD-
-	656357..	1	CHIUSURA LATERALE PLANCIA SX. -Vale per GD-	L.H. LATERAL DASHBOARD MOULDING -Valid for GD-

Tavola 124



**456MGT/GTA**

**PLANCIA  
DASHBOARD**

**TAV. 124**

DATA: OTTOBRE '98

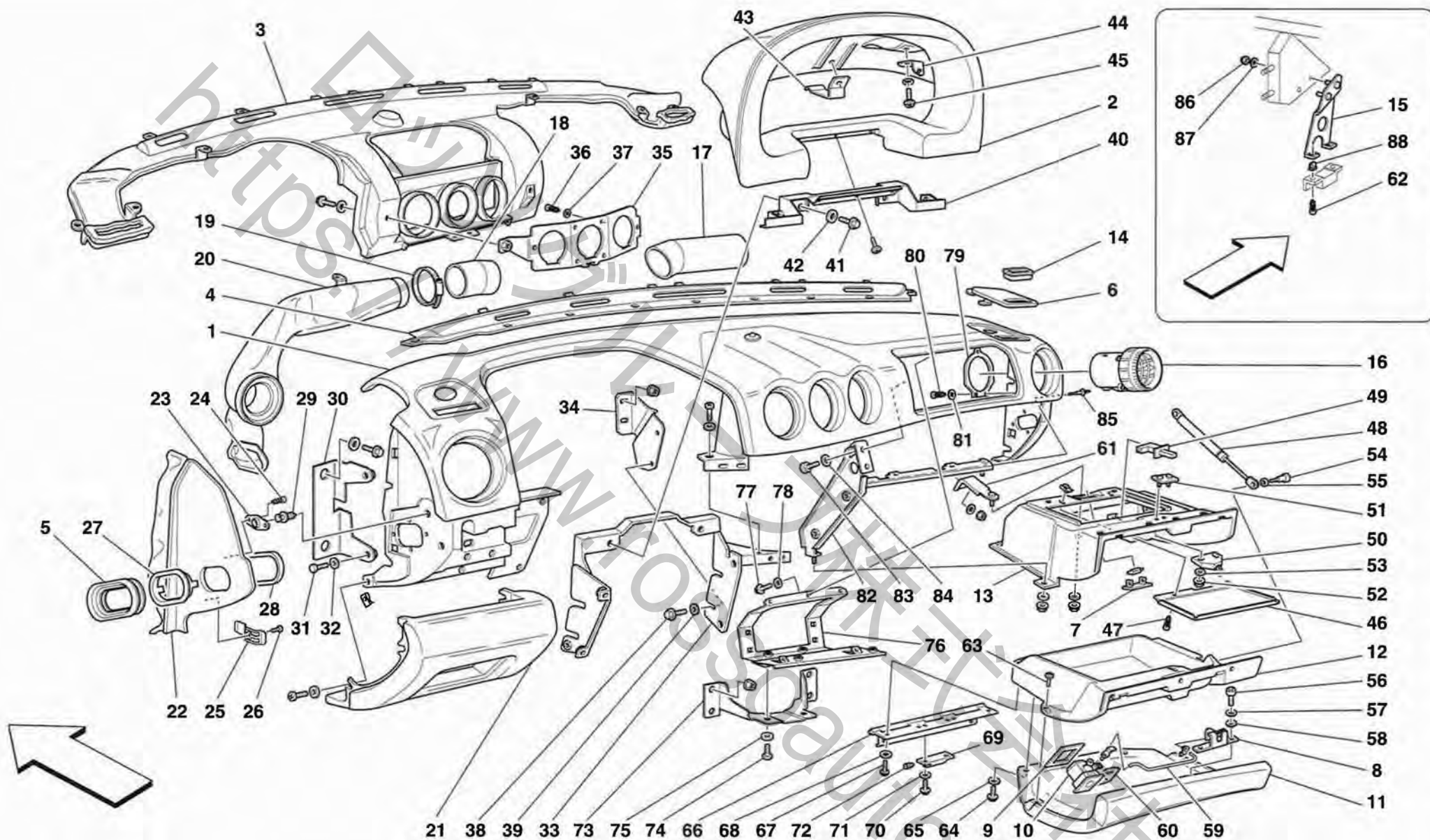
Rif	Dis.N° Part.N°	Q.ty	Denominazione	Description
-	656360..	1	RIVESTIMENTO SX. -Vale per GD-	L.H. LINING -Valid for GD-
-	654303..	1	CHIUSURA LATERALE PLANCIA DX. -No per GD-	R.H. LATERAL DASHBOARD MOULDING -Not for GD-
-	654667..	1	RIVESTIMENTO DX. -No per GD-	R.H. LINING -Not for GD-
-	656362..	1	CHIUSURA LATERALE PLANCIA DX. -Vale per GD-	R.H. LATERAL DASHBOARD MOULDING -Valid for GD-
-	656364..	1	RIVESTIMENTO DX. -Vale per GD-	R.H. LINING -Valid for GD-
23	64712800	2	PIASTRINA	PLATE
24	15914770	4	VITE	SCREW
25	65471900	4	MOLLETTA	CLIP
26	15914770	4	VITE	SCREW
27	63203400	4	RITEGNO GUARNIZIONE	GASKET RETAIN
28	65414500	2	GUARNIZIONE	GASKET
29	14188181	2	FERMAGLIO	RETAINER
30	65442500	1	STAFFA LATERALE SX.	L.H. SIDE BRACKET
-	65442400	1	STAFFA LATERALE DX.	R.H. SIDE BRACKET
31	10902124	4	VITE	SCREW
32	12648978	4	ROSETTA	WASHER
33	65418500	1	STAFFA FISS. PLANCIA -No per GD-	BRACKET FOR DASHBOARD FIXING -Not for GD-
-	65631900	1	STAFFA FISS. PLANCIA -Vale per GD-	BRACKET FOR DASHBOARD FIXING -Valid for GD-
34	65442200	1	STAFFA DX.	R.H. BRACKET
-	65442300	1	STAFFA SX.	L.H. BRACKET
35	65410700	1	STAFFA FISSAGGIO DIFFUSORE -No per GD-	DIFFUSER FIXING BRACKET -Not for GD-
-	65632100	1	STAFFA FISSAGGIO DIFFUSORE -Vale per GD-	DIFFUSER FIXING BRACKET -Valid for GD-
36	15901501	6	VITE	SCREW
37	12639901	6	ROSETTA	WASHER
38	10902124	2	VITE	SCREW
39	12644477	2	ROSETTA	WASHER
40	65441800	1	STAFFA POSTERIORE -No per GD-	REAR BRACKET -Not for GD-
-	65635600	1	STAFFA POSTERIORE -Vale per GD-	REAR BRACKET -Valid for GD-
41	10902124	5	VITE	SCREW
42	12644477	5	ROSETTA	WASHER

Tavola 124 - PLANCIA DASHBOARD

Rif	Dis.N° Part.N°	Q.ty	Denominazione	Description
43	65279900	1	MOLLETTA	CLIP
44	65443600	1	STAFFA DX.	R.H. BRACKET
-	65443700	1	STAFFA SX.	L.H. BRACKET
45	13290077	2	VITE	SCREW
46	65441400	1	TAPPO SU CONTENITORE CASSETTO -No per GD-	GLOVE BOX MOULDING -Not for GD-
-	65634900	1	TAPPO SU CONTENITORE CASSETTO -Vale per GD-	GLOVE BOX MOULDING -Valid for GD-
47	15689675	2	VITE	SCREW
48	65847700	1	RALLENTATORE CASSETTO	GLOVE BOX STABILUS
49	61539800	1	INTERRUTTORE MAGNETICO	MAGNETIC SWITCH
50	65258900	1	SCONTRINO	STRIKER
51	63765300	1	PIASTRINA	PLATE
52	10725017	2	DADO	NUT
53	12638177	2	ROSETTA	WASHER
54	65686200	2	VITE	SCREW
55	65686300	2	ROSETTA	WASHER
56	13273911	2	VITE	SCREW
57	12637824	2	ROSETTA	WASHER
58	65686300	2	ROSETTA	WASHER
59	65678500	1	TIRANTE -No per GD-	TIE ROD -Not for GD-
-	65636700	1	TIRANTE -Vale per GD-	TIE ROD -Valid for GD-
60	63769000	1	FORCELLA	FORK
61	65575300	1	STAFFA -No per GD-	BRACKET -Not for GD-
-	65631100	1	STAFFA -Vale per GD-	BRACKET -Valid for GD-
62	15688170	2	VITE	SCREW
63	64460500	5	VITE	SCREW
64	13274077	3	VITE	SCREW
65	12638177	3	ROSETTA	WASHER
66	65634600	1	CERNIERA SPORTELLO	LID HINGE
67	13273911	7	VITE	SCREW
68	12637824	7	ROSETTA	WASHER
69	65677400	1	FERMO PER CASSETTO	STOPPER FOR GLOVE BOX
70	13273911	2	VITE	SCREW
71	12637824	2	ROSETTA	WASHER
72	65361300	1	PERNO	PIN

Tavola 124





**456MGT/GTA**

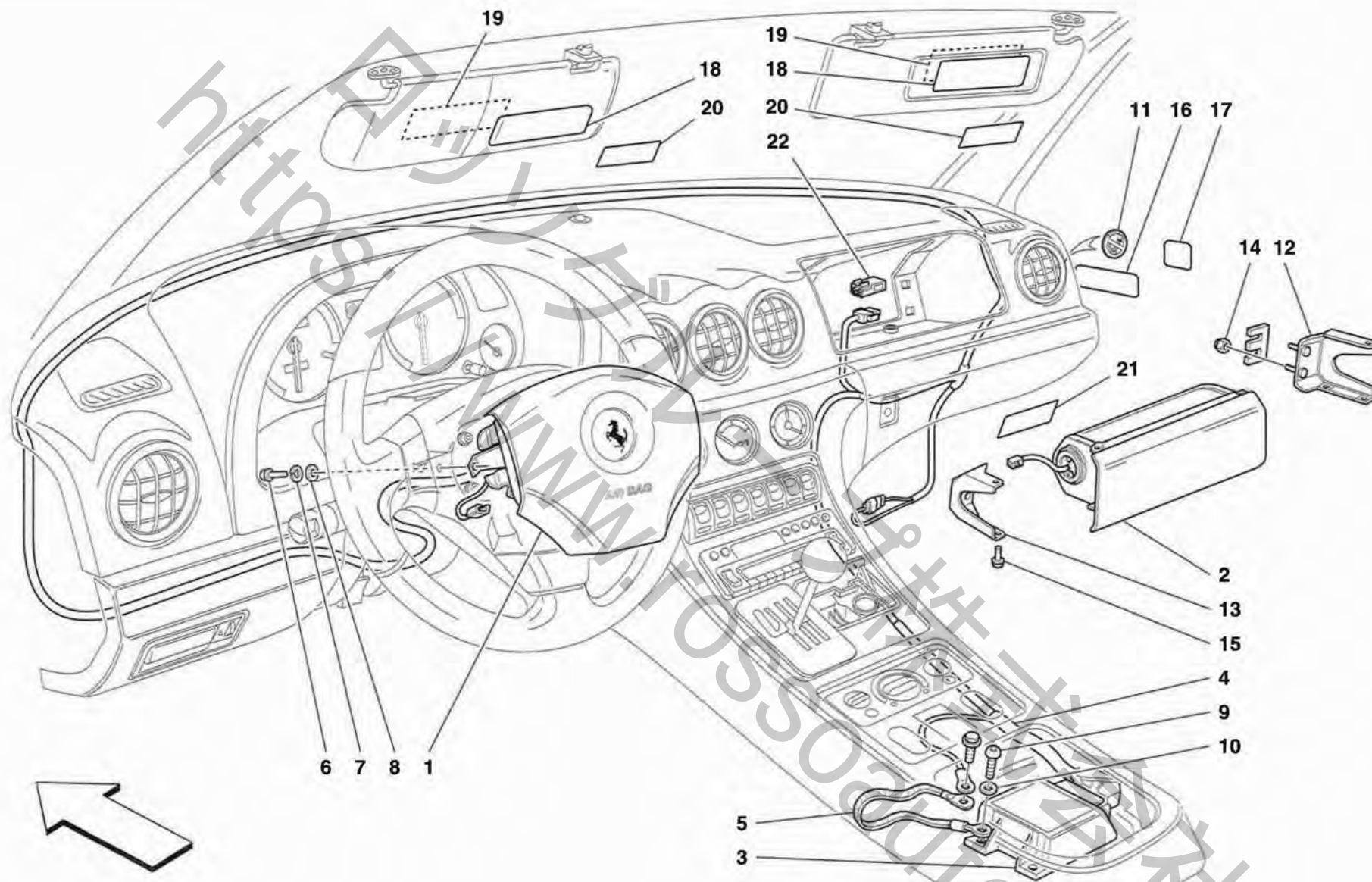
PLANCIA  
DASHBOARD

TAV. 124

DATA: OTTOBRE '98



Rif	Dis.N° Part.N°	Q.ty	Denominazione	Description	Rif	Dis.N° Part.N°	Q.ty	Denominazione	Description
73	65564400	1	STAFFA FISS. CONTENITORE AIR-BAG	BRACKET FOR AIR-BAG CASE	81	12639901	6	ROSETTA	WASHER
-	65633600	1	STAFFA FISS. CONTENITORE AIR-BAG	BRACKET FOR AIR-BAG CASE	82	65473900	1	STAFFA FISS. PLANCIA	DASHBOARD FIXING BRACKET
			-No per GD-	-Not for GD-	-	65631400	1	STAFFA FISS. PLANCIA	DASHBOARD FIXING BRACKET
74	10902124	2	VITE	SCREW				-Vale per GD-	-Valid for GD-
75	12644477	2	ROSETTA	WASHER	83	13273911	4	VITE	SCREW
76	65564200	1	CONTENITORE AIR-BAG	AIR-BAG CASE	84	12637824	4	ROSETTA	WASHER
-	65633000	1	CONTENITORE AIR-BAG	AIR-BAG CASE	85	14641491	2	RIVETTO	RIVET
			-No per GD-	-Not for GD-	86	113647	2	DADO	NUT
			-Vale per GD-	-Valid for GD-	87	12637824	2	ROSETTA	WASHER
77	13273911	5	VITE	SCREW	88	14202580	2	BLOCCHETTO	BLOCK
78	12637824	5	ROSETTA	WASHER	PER I CODICI DEI PARTICOLARI RIVESTITI IN PELLE E PER LE SERIE COMPLETE DEI TAPPETI MOQUETTE VEDI TAVOLA APPOSITA.				
79	65450000	2	STAFFA	BRACKET					
80	15901501	6	VITE	SCREW					



**456MGT/GTA**

*AIR-BAGS*

*AIR-BAGS*

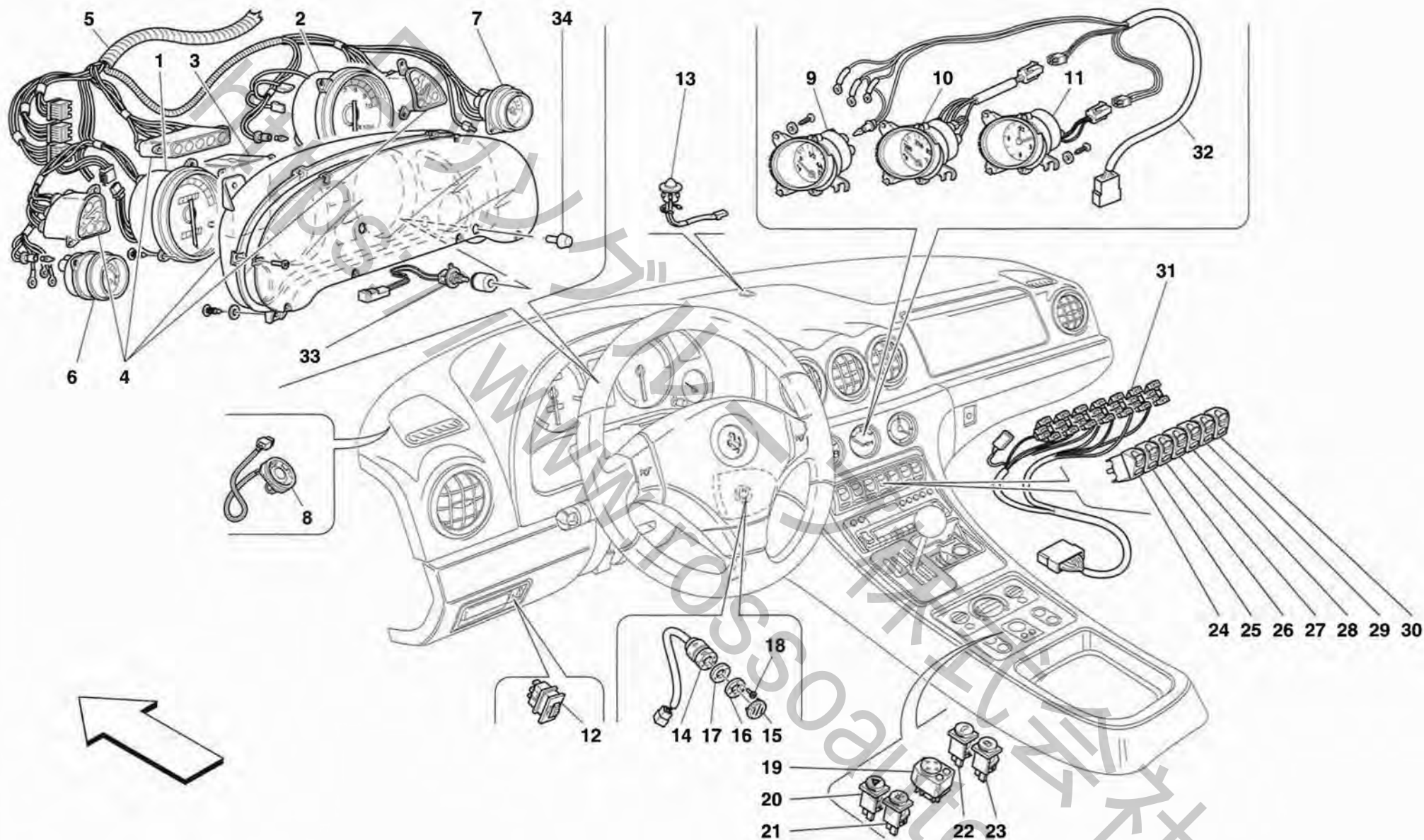
**TAV. 125**

DATA: OTTOBRE '98

Rif	Dis.N° Part.N°	Q.ty	Denominazione	Description
1	165024	1	AIR BAG LATO PILOTA COMPLETO RIVESTITO	DRIVER SIDE COMPLETE COVERED AIR BAG
2	657592..	1	AIR BAG LATO PASSEGGERO COMPLETO RIVESTITO	PASSENGERS SIDE COMPLETE COVERED AIR BAG
-	657736..	1	AIR BAG LATO PASSEGGERO COMPLETO RIVESTITO	PASSENGERS SIDE COMPLETE COVERED AIR BAG
			-No per GD-	-Not for GD-
			-Vale per GD-	-Valid for GD-
3	174765	1	CENTRALINA IMPIANTO AIR BAG	AIR BAG SYSTEM CONTROL UNIT
4	174484	1	CAVI COLLEGAMENTO IMPIANTO AIR BAG	AIR BAG SYSTEM CONNECTION CABLES
			-No per GD-	-Not for GD-
-	177174	1	CAVI COLLEGAMENTO IMPIANTO AIR BAG	AIR BAG SYSTEM CONNECTION CABLES
			-Vale per GD-	-Valid for GD-
5	160855	1	TRECCIA DI MASSA	GROUND CABLE
6	64882800	2	VITE	SCREW
7	127494	2	ROSETTA	WASHER
8	14499324	2	ROSETTA	WASHER
9	64882800	3	VITE	SCREW
10	127494	3	ROSETTA	WASHER
11	65142000	1	SIMBOLO INCOMPATIBILITA' AIR BAG/SEGGIOLINO BAMBINI	AIR BAG/CHILDREN SEAT INCOMPATIBLTY PLATE
			-No per USA e AUS-	-Not for USA and AUS-
12	65174600	1	STAFFA DX.	R.H. BRACKET
13	65174800	1	STAFFA SX.	L.H. BRACKET

Rif	Dis.N° Part.N°	Q.ty	Denominazione	Description
14	14039614	4	DADO	NUT
15	62940900	6	VITE	SCREW
16	12858090	1	TARGHETTA AUTOADESIVA MANUTENZIONE AIR-BAG	AIR-BAG MAINTENANCE AUTO-ADHESIVE PLATE
			-No per USA, CDN e AUS-	-Not for USA, CDN and AUS-
17	64499400	1	TARGHETTA AUTOADESIVA MANUTENZIONE AIR-BAG	AIR-BAG MAINTENANCE AUTO-ADHESIVE PLATE
			-Vale per USA, CDN e AUS-	-Valid for USA, CDN and AUS-
18	64764500	2	TARGHETTA USO SISTEMA AIR-BAG	AIR-BAG SYSTEM USE PLATE
			-No per USA, CDN e AUS-	-Not for USA, CDN and AUS-
19	65423900	2	TARGHETTA USO SISTEMA AIR-BAG	AIR-BAG SYSTEM USE PLATE
			-Vale per USA, CDN e AUS-	-Valid for USA, CDN and AUS-
20	65423700	1	TARGHETTA AUTOADESIVA SEGNALAZIONE PRESENZA AIR-BAG	AIR-BAG PRESENCE AUTO-ADHESIVE PLATE
			-Vale per USA, CDN e AUS-	-Valid for USA, CDN and AUS-
21	65424100	2	TARGHETTA PRESENZA SISTEMA AIR-BAG	AIR-BAG SYSTEM PRESENCE PLATE
			-Vale per USA, CDN e AUS-	-Valid for USA, CDN and AUS-
22	163826	1	RESISTORE AIR-BAG LATO PASSEGGERO	PASSENGER SIDE AIR-BAG RESISTOR

PER I CODICI DEI PARTICOLARI RIVESTITI IN PELLE E PER LE SERIE COMPLETE DEI TAPPETI MOQUETTE VEDI TAVOLA APPOSITA. SEE RELEVANT TABLE FOR CODES OF PARTS COVERED IN LEATHER AND FOR THE COMPLETE SERIES OF MOQUETTE CARPETS.



**456MGT/GTA**

**STRUMENTAZIONE**  
**INSTRUMENTS**

**TAV. 126**

DATA: OTTOBRE '98

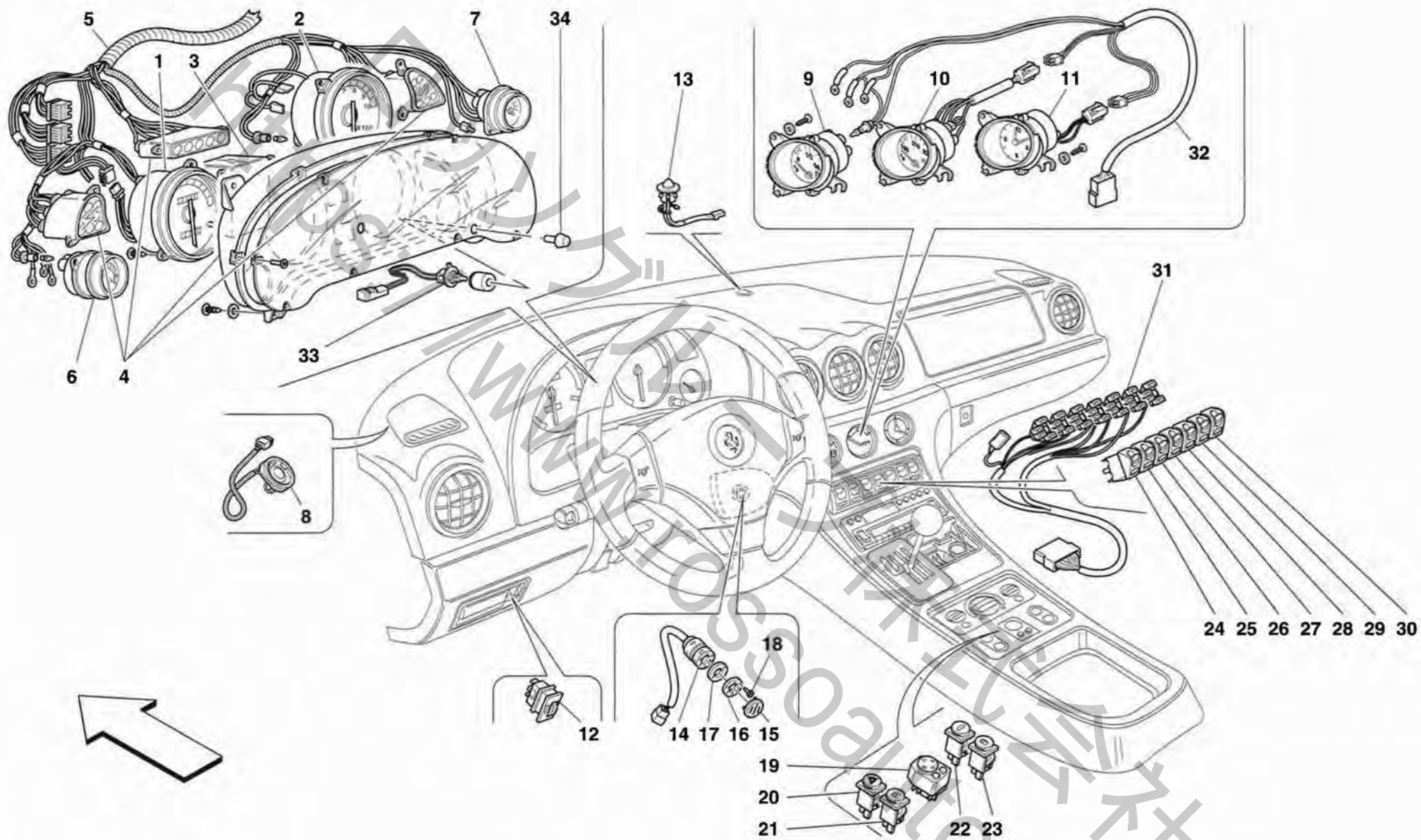


Rif	Dis.N° Part.N°	Q.ty	Denominazione	Description
1	174141	1	CONTACHILOMETRI -No per USA e GB-	ODOMETER-KM -Not for USA and GB-
-	176975	1	CONTAMIGLIA ELETTRONICO -Vale per USA e GB-	ELECTRONIC ODOMETER-MILES -Valid for USA and GB-
2	174142	1	CONTAGIRI ELETTRONICO	ELECTRONIC REVOLUTION COUNTER
3	174145	1	GRUPPO DISPLAY-SPIA MULTIFUNZIONE	MULTIFUNCTION WARNING LIGHT/DISPLAY ASSEMBLY
4	170916	1	PIASTRA PORTASTRUMENTI COMPL. DI SPIE -No per USA e GB-	WARNING LIGHT CONTROL PANEL PLATE -Not for USA and GB-
-	173624	1	PIASTRA PORTASTRUMENTI COMPL. DI SPIE -Vale per USA e GB-	WARNING LIGHT CONTROL PANEL PLATE -Valid for USA and GB-
5	174147	1	CAVI COLLEG. STRUMENTI PLANCIA	DASHBOARD INSTRUMENTS CONNECTING CABLES
6	174143	1	TERMOMETRO ACQUA -No per USA e GB-	WATER THERMOMETER -Not for USA and GB-
-	176976	1	TERMOMETRO ACQUA -Vale per USA e GB-	WATER THERMOMETER -Valid for USA and GB-
7	174144	1	INDICATORE PRESSIONE OLIO -No per USA e GB-	OIL PRESSURE INDICATOR -Not for USA and GB-
-	176977	1	INDICATORE PRESSIONE OLIO -Vale per USA e GB-	OIL PRESSURE INDICATOR -Valid for USA and GB-
8	174808	2	ALTOPARLANTE TWEETER	LOUD SPEAKER TWEETER
9	174150	1	INDICATORE LIVELLO CARBURANTE -Vale per vett. catalizzate- -No per GD-	FUEL LEVEL INDICATOR -Valid for catalyzed cars- -Not for GD-
-	177192	1	INDICATORE LIVELLO CARBURANTE -Vale per vett. non catalizzate- -No per GD-	FUEL LEVEL INDICATOR -Valid for not catalyzed cars- -Not for GD-
-	177170	1	INDICATORE LIVELLO CARBURANTE -Vale per vett. catalizzate- -Vale per GD-	FUEL LEVEL INDICATOR -Valid for catalyzed cars- -Valid for GD-
-	177186	1	INDICATORE LIVELLO CARBURANTE -Vale per vett. non catalizzate- -Vale per GD-	FUEL LEVEL INDICATOR -Valid for not catalyzed cars- -Valid for GD-
10	174154	1	INDICATORE TEMPERATURA OLIO -No per USA, GB e AUS-	OIL TEMPERATURE INDICATOR -Not for USA, GB and AUS-
-	176980	1	INDICATORE TEMPERATURA OLIO -Vale per USA-	OIL TEMPERATURE INDICATOR -Valid for USA-
-	177169	1	INDICATORE TEMPERATURA OLIO -Vale per GB-	OIL TEMPERATURE INDICATOR -Valid for GB-

Tavola 126 - STRUMENTAZIONE INSTRUMENTS

Rif	Dis.N° Part.N°	Q.ty	Denominazione	Description
-	177185	1	INDICATORE TEMPERATURA OLIO -Vale per AUS e vett. non catalizzate-	OIL TEMPERATURE INDICATOR -Valid for AUS and not catalyzed cars-
11	174151	1	OROLOGIO ANALOGICO -No per GD-	ANALOGIC CLOCK -Not for GD-
-	177171	1	OROLOGIO ANALOGICO -Vale per GD-	ANALOGIC CLOCK -Valid for GD-
12	153073	1	POTENZIOMETRO REGOLAZIONE LUCI	LIGHT ADJUSTING POTENTIOMETER
13	64692400	1	SENSORE IRRAGGIAMENTO SOLARE	INNER COMPARTMENT TEMPERATURE SENSOR
14	63934200	1	SENSORE TEMPERATURA INTERNO ABITACOLO	INNER COMPARTMENT TEMPERATURE SENSOR
15	63994500	1	GRIGLIA DI COPERTURA SONDA	SENSOR COVERING GRILL
16	63994600	1	RONDELLA FISS. SENSORE	SENSOR FIXING WASHER
17	63994700	1	RONDELLA APPOGGIO SONDA	WASHER CASING SENSOR
18	15915977	2	VITE	SCREW
19	153114	1	INTERRUTTORE SPECCHIO RETROVISORE	REAR-WIEW MIRROR SWITCH
20	157477	1	INTERRUTTORE LUCI EMERGENZA	EMERGENCY LIGHTS SWITCH
21	157479	1	INTERRUTTORE LUCI PARCHEGGIO	SWITCH FOR PARKING LIGHT
22	174671	1	PULSANTE APERTURA COFANO POST.	REAR HOOD OPENING PUSH BUTTON
23	157480	1	PULSANTE COMANDO SPORTELLO BENZINA	FUEL DOOR CONTROL PUSH-BUTTON
24	178874	1	INTERRUTTORE ALZACRISTALLO SX.	L.H. SWITCH FOR GLASS LIFT
25	171087	1	PULSANTE COMANDO ESCLUSIONE IMPIANTO ASR -No per GD-	ASR EXCLUSION CONTROL SWITCH -Not for GD-
-	174666	1	INTERRUTTORE COMANDO PLAFONIERA POST. -Vale per GD-	REAR DOME LAMP CONTROL SWITCH -Valid for GD-
26	171071	1	INTERRUTTORE SPORT -No per GD-	SPORT SWITCH -Not for GD-
-	171595	1	INTERRUTTORE COMANDO LUCI RETRONEBBIA -Vale per GD-	REAR FOG LIGHT CONTROL SWITCH -Valid for GD-
27	171069	1	INTERRUTTORE LUNOTTO TERMICO	SWITCH FOR REAR WINDOW DEFROSTER

Tavola 126



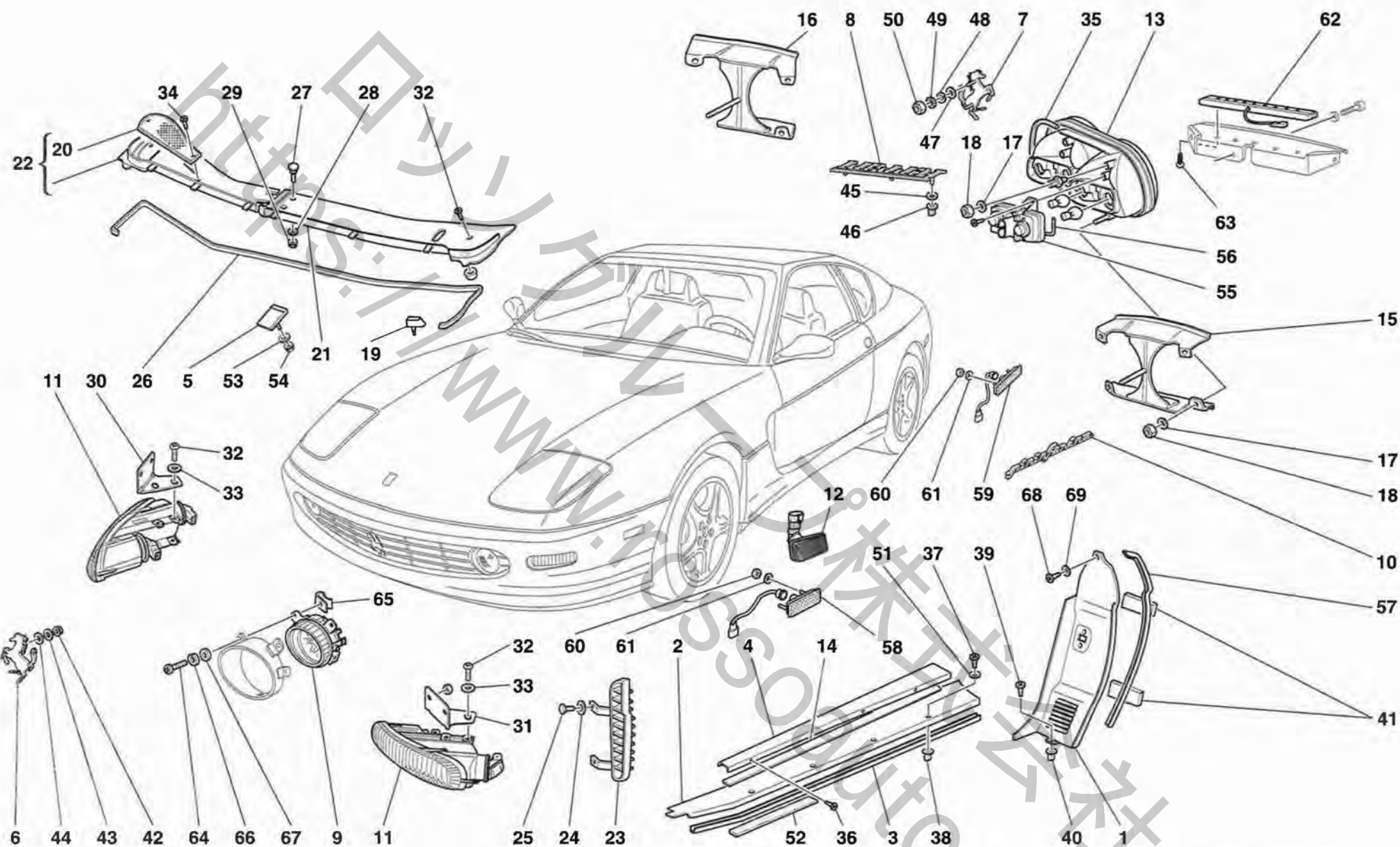
**456MGT/GTA**

**STRUMENTAZIONE**  
**INSTRUMENTS**

**TAV. 126**

DATA: OTTOBRE '98

Rif	Dis.N° Part.N°	Q.ty	Denominazione	Description	Rif	Dis.N° Part.N°	Q.ty	Denominazione	Description
28	171595	1	INTERRUTTORE COMANDO LUCI RETRONEBBIA -No per USA, CDN, GD e J-	REAR FOG LIGHT CONTROL SWITCH -Not for USA, CDN, GD and J-	30	178873	1	INTERRUTTORE ALZACRISTALLO DX.	R.H. SWITCH FOR GLASS LIFT
-	171074	1	INTERRUTTORE COMANDO FENDINEBBIA -Vale per USA e J-	FOG LIGHTS SWITCH -Valid for USA and J-	31	174485	1	CAVI COLLEGAMENTO STRUMENTI TUNNEL -No per USA, CDN e J-	TUNNEL INSTRUMENTS CONNECTION CABLES -Not for USA, CDN and J-
-	171081	1	INTERRUTTORE FINTO -Vale per CDN-	DUMMY SWITCH -Valid for CDN-	-	176981	1	CAVI COLLEGAMENTO STRUMENTI TUNNEL -Vale per USA e CDN-	TUNNEL INSTRUMENTS CONNECTION CABLES -Valid for USA and CDN-
-	171071	1	INTERRUTTORE SPORT -Vale per GD-	SPORT SWITCH -Valid for GD-	-	178072	1	CAVI COLLEGAMENTO STRUMENTI TUNNEL -Vale per J-	TUNNEL INSTRUMENTS CONNECTION CABLES -Valid for J-
29	174666	1	INTERRUTTORE COMANDO PLAFONIERA POST. -No per GD e J-	REAR DOME LAMP CONTROL SWITCH -Not for GD and J-	32	174152	1	CAVI COLLEG. STRUMENTI LATERALI	SIDE INSTRUMENTS CONNECTING CABLES
-	171087	1	PULSANTE COMANDO ESCLUSIONE IMPIANTO ASR -Vale per GD-	ASR EXCLUSION CONTROL SWITCH -Valid for GD-	33	179575	1	MICROINTERRUTTORE TEMPERATURA ESTERNA	OUTSIDE TEMPERATURE MICRO-SWITCH
-	171595	1	INTERRUTTORE COMANDO LUCI RETRONEBBIA -Vale per J-	REAR FOG LIGHT CONTROL SWITCH -Valid for J-	34	179901	1	PULSANTE PER TEMPERATURA ESTERNA	OUTSIDE TEMPERATURE BUTTON



**456MGT/GTA**

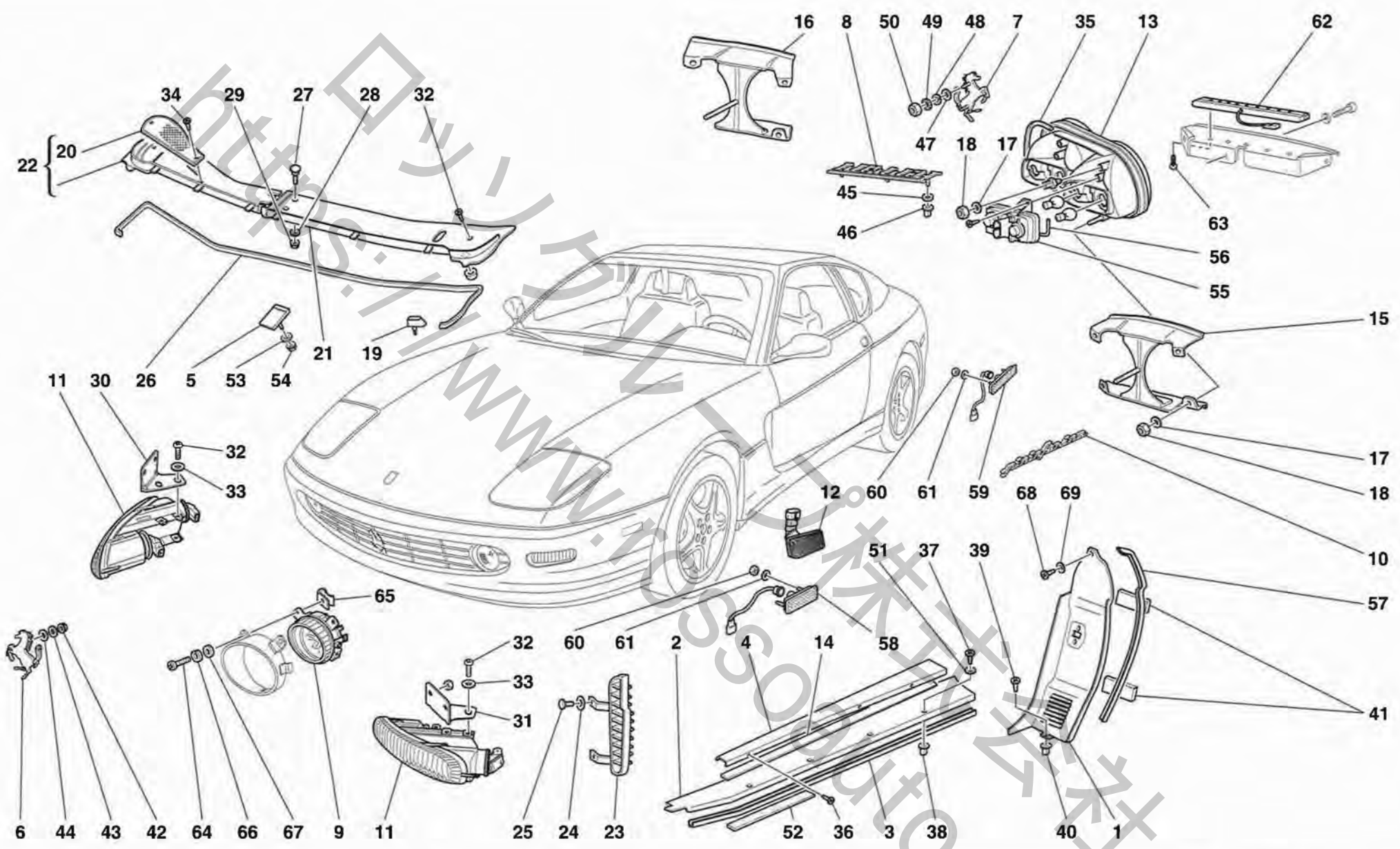
**FANALI ANTERIORI E POSTERIORI - FINIZIONI ESTERNE**  
**FRONT AND REAR LIGHTS - OUTSIDE FINISHINGS**

**TAV. 127**

DATA: OTTOBRE '98



Rif	Dis.N° Part.N°	Q.ty	Denominazione	Description	Rif	Dis.N° Part.N°	Q.ty	Denominazione	Description
1	65435810	1	COPRILESENA PORTA SX.	L.H. DOOR STRIP COVER	16	63740400	1	STAFFA FISSAGGIO FANALE POSTERIORE DX.	R.H. BRACKET FOR REAR LIGHT FIXING
-	65435710	1	COPRILESENA PORTA DX.	R.H. DOOR STRIP COVER	17	12643777	8	ROSETTA	WASHER
2	63212900	1	BATTICALCAGNO SX.	L.H. KICK PLATE	18	15896214	8	DADO	NUT
-	63212800	1	BATTICALCAGNO DX.	R.H. KICK PLATE	19	63487300	1	ANGOLARE SX.	L.H. ANGLE PIECE
3	63736800	2	GOMMA PER BATTICALCAGNO	RUBBER FOR KICK PLATE	-	63487200	1	ANGOLARE DX.	R.H. ANGLE PIECE
4	65221700	1	INSERTO PER BATTICALCAGNO SX.	L.H. KICK PLATE INSERT	20	63897800	1	FILTRO ANTIPOLLINE COMPLETO	COMPLETE AIR FILTER
-	65221600	1	INSERTO PER BATTICALCAGNO DX.	R.H. KICK PLATE INSERT	-	-	-	<b>-No per GD-</b>	<b>-Not for GD-</b>
5	62673100	1	FREGIO ANTERIORE	FRONT ORNAMENT	-	64241800	1	FILTRO ANTIPOLLINE COMPLETO	COMPLETE AIR FILTER
6	63233900	1	CAVALLINO RAMPANTE ANTERIORE	FRONT TRADEMARK	-	-	-	<b>-Vale per GD-</b>	<b>-Valid for GD-</b>
7	63233900	1	CAVALLINO RAMPANTE POSTERIORE	REAR TRADEMARK	21	63773100	1	MODANATURA INFERIORE SX. PARABREZZA	L.H. LOWER WINDSCREEN MOULDING
8	63482200	1	SIGLA "FERRARI"	"FERRARI" MARK	-	-	-	<b>-No per GD-</b>	<b>-Not for GD-</b>
9	175373	1	FANALE ANTERIORE LAMPEGGIO SX.	L.H. FRONT LIGHT FOR FLASH	-	64242700	1	MODANATURA INFERIORE SX. PARABREZZA	L.H. LOWER WINDSCREEN MOULDING
-	176584	1	FANALE FENDINEBBIA SX.	L.H. FOG LIGHT	-	-	-	<b>-Vale per GD-</b>	<b>-Valid for GD-</b>
-	175372	1	FANALE ANTERIORE LAMPEGGIO DX.	R.H. FRONT LIGHT FOR FLASH	22	63898000	1	MODANATURA INFERIORE DX. PARABREZZA	R.H. LOWER WINDSCREEN MOULDING
-	176187	1	FANALE FENDINEBBIA DX.	R.H. FOG LIGHT	-	-	-	<b>-No per GD-</b>	<b>-Not for GD-</b>
10	64780500	2	FREGIO PININFARINA	PININFARINA ORNAMENT	-	64242600	1	MODANATURA INFERIORE DX. PARABREZZA	R.H. LOWER WINDSCREEN MOULDING
11	174800	2	FANALE ANTERIORE	FRONT LAMP	-	-	-	<b>-Vale per GD-</b>	<b>-Valid for GD-</b>
-	176982	2	FANALE ANTERIORE	FRONT LAMP	23	63743900	1	GRIGLIA SX.	L.H. GRID
12	175506	1	FANALE LATERALE ANT. DIREZIONE SX.	L.H. FRONT SIDE DIRECTION LIGHT	-	63743800	1	GRIGLIA DX.	R.H. GRILLE
-	173616	1	FANALE LATERALE ANT. DIREZIONE DX.	R.H. FRONT SIDE DIRECTION LIGHT	24	12643724	4	ROSETTA	WASHER
13	153109	1	FANALE POSTERIORE DX.	R.H. REAR LAMP	25	11612624	4	VITE	SCREW
-	159514	1	FANALE POSTERIORE DX.	R.H. REAR LAMP	26	63870100	1	GUARNIZIONE	GASKET
-	153110	1	FANALE POSTERIORE SX.	L.H. REAR LIGHT	27	15965817	2	VITE	SCREW
-	159515	1	FANALE POSTERIORE SX.	L.H. REAR LIGHT	28	12644424	2	ROSETTA	WASHER
14	62791300	4	NASTRO BIADESIVO	ADHESIVE STRAP	29	102948	2	DADO	NUT
15	65509700	1	STAFFA FISSAGGIO FANALE POSTERIORE SX.	L.H. BRACKET FOR REAR LIGHT FIXING	30	65552600	1	STAFFA DX.	R.H. BRACKET
					31	65617000	1	STAFFA SX.	L.H. BRACKET
					32	10977724	4	VITE	SCREW
					33	12638124	4	ROSETTA	WASHER
					34	62771900	2	VITE	SCREW
					35	167847	2	GUARNIZIONE SOTTO FANALE	UNDER LAMP GASKET
					36	15913570	8	VITE	SCREW
					37	15687370	8	VITE	SCREW
					38	14211580	8	MADREVITE	NUT SCREW
					39	15688075	2	VITE	SCREW
					40	62765000	2	MADREVITE	NUT SCREW



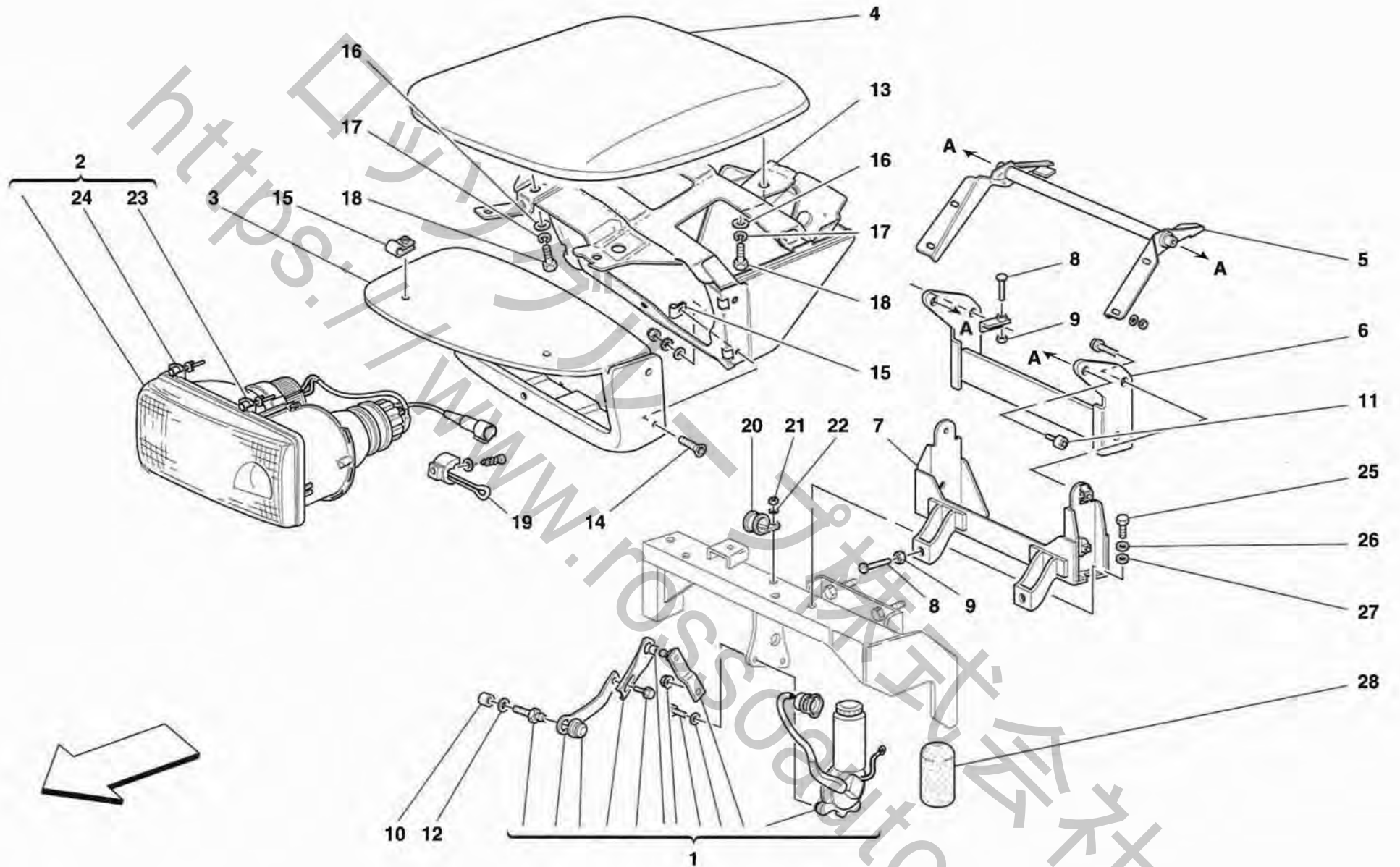
**456MGT/GTA**

**FANALI ANTERIORI E POSTERIORI - FINIZIONI ESTERNE**  
**FRONT AND REAR LIGHTS - OUTSIDE FINISHINGS**

**TAV. 127**

DATA: OTTOBRE '98

Rif	Dis.N° Part.N°	Q.ty	Denominazione	Description	Rif	Dis.N° Part.N°	Q.ty	Denominazione	Description
41	62765200	2	ANTIVIBRANTE	ANTI-VIBRATIONS	-	168178	1	PROTEZIONE PORTALAMPADA	LAMP HOLDER PROTECTION
-	62797200	-	ANTIVIBRANTE	ANTI-VIBRATIONS				-Vale per USA e CDN-	-Valid for USA and CDN-
42	14084011	2	DADO	NUT	56	167844	4	GUARNIZIONE	GASKET
43	10615174	2	ROSETTA	WASHER	57	65655300	2	GUARNIZIONE	GASKET
44	10519224	2	ROSETTA	WASHER	58	147563	2	FANALE SIDE-MARKER ANT.	FRONT SIDE-MARKER LAMP
45	62771600	3	ROSETTA	WASHER				-Vale per USA e CDN-	-Valid for USA and CDN-
46	60324506	3	MOLLETTA	CLIP	59	140594	2	FANALE SIDE-MARKER POST.	REAR SIDE-MARKER LIGHT
47	60995100	2	GOMMINO	RUBBER				-Vale per USA e CDN-	-Valid for USA and CDN-
48	10519224	2	ROSETTA	WASHER	60	14084111	8	DADO	NUT
49	10615174	2	ROSETTA	WASHER				-Vale per USA e CDN-	-Valid for USA and CDN-
50	14084011	2	DADO	NUT	61	12638124	8	ROSETTA	WASHER
51	13577577	8	ROSETTA	WASHER				-Vale per USA e CDN-	-Valid for USA and CDN-
52	62984400	2	ANTIVIBRANTE	ANTI-VIBRATIONS	62	167958	1	FANALE ARRESTO SUPPLEMENTARE	ADDITIONAL STOP LIGHT
53	12638124	1	ROSETTA	WASHER	63	15957304	5	VITE	SCREW
54	113647	1	DADO	NUT	64	13274377	6	VITE	SCREW
55	167841	2	PROTEZIONE PORTALAMPADA	LAMP HOLDER PROTECTION	65	62764200	6	MOLLETTA	CLIP
			-No per USA e CDN-	-Not for USA and CDN-	66	10571470	6	ROSETTA	WASHER
-	168177	1	PROTEZIONE PORTALAMPADA	LAMP HOLDER PROTECTION	67	12638177	6	ROSETTA	WASHER
			-Vale per USA e CDN-	-Valid for USA and CDN-	68	15915077	2	VITE	SCREW
-	168176	2	PROTEZIONE PORTALAMPADA	LAMP HOLDER PROTECTION	69	62929300	2	RONDELLA	WASHER
			-No per USA e CDN-	-Not for USA and CDN-					



**456MGT/GTA**

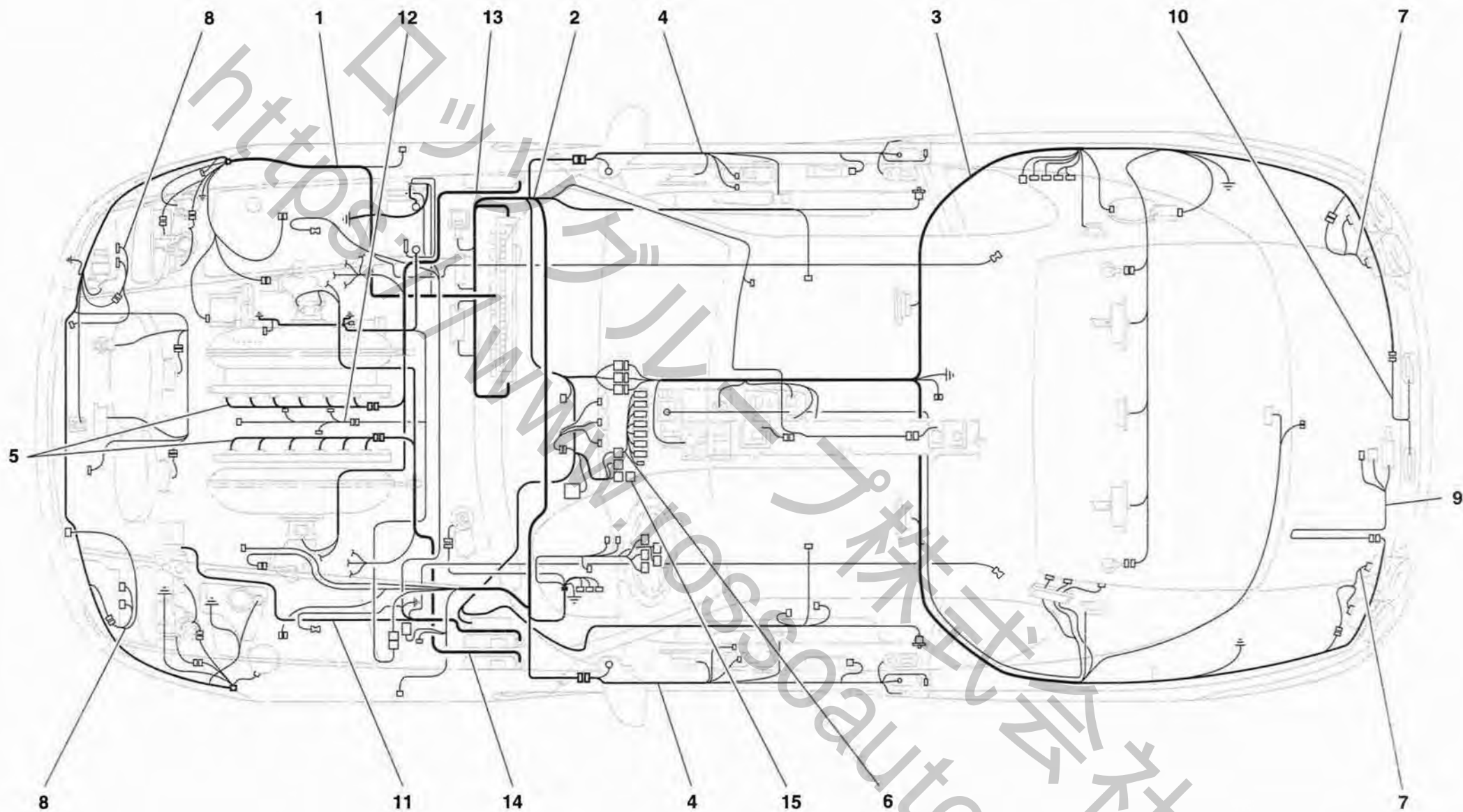
*DISPOSITIVO ALZAFARI E PROIETTORI*  
*LIGHTS LIFTING DEVICE AND HEADLIGHTS*

**TAV. 128**

DATA: OTTOBRE '98



Rif	Dis.N° Part.N°	Q.ty	Denominazione	Description	Rif	Dis.N° Part.N°	Q.ty	Denominazione	Description
1	174159	1	MOTORINO ALZAFARO SX. COMPLETO	COMPLETE L.H. LIGHT LIFTING MOTOR	7	65446000	1	COLLEGAMENTO INFERIORE STAFFE SX.	L.H. BRACKET JOINTS CONNECTION
-	173965	1	MOTORINO ALZAFARO DX. COMPLETO	COMPLETE R.H. LIGHT LIFTING MOTOR	-	65445900	1	COLLEGAMENTO INFERIORE STAFFE DX.	R.H. BRACKET JOINTS CONNECTION
2	133081	1	PROIETTORE SX. ANABB./ABB. -No per USA, CDN, GD e J-	L.H. HEADLIGHT LOW/HIGH BEAM -Not for USA, CDN, GD and J-	8	63346800	8	PUNTALINO REGOLAZIONE FARO	PIN
-	179521	1	PROIETTORE SX. ANABB./ABB. -Vale per USA e CDN-	L.H. HEADLIGHT LOW/HIGH BEAM -Valid for USA e CDN-	9	15896214	8	DADO	NUT
-	133085	1	PROIETTORE SX. ANABB./ABB. -Vale per GD-	L.H. HEADLIGHT LOW/HIGH BEAM -Valid for GD-	10	63186100	2	DISTANZIALE	SPACER
-	146158	1	PROIETTORE SX. ANABB./ABB. -Vale per J-	L.H. HEADLIGHT LOW/HIGH BEAM -Valid for J-	11	65679600	4	VITE	SCREW
-	133080	1	PROIETTORE DX. ANABB./ABB. -No per USA, CDN, GD e J-	R.H. HEADLIGHT LOW/HIGH BEAM -Not for USA, CDN, GD and J-	12	62796200	2	RONDELLA	WASHER
-	179520	1	PROIETTORE DX. ANABB./ABB. -Vale per USA e CDN-	R.H. HEADLIGHT LOW/HIGH BEAM -Valid for USA and CDN-	13	65412500	1	CONTENITORE FANALE SX.	L.H. LIGHT CONTAINER
-	133084	1	PROIETTORE DX. ANABB./ABB. -Vale per GD-	R.H. HEADLIGHT LOW/HIGH BEAM -Valid for GD-	-	65412400	1	CONTENITORE FANALE DX.	R.H. LIGHT CONTAINER
-	146157	1	PROIETTORE DX. ANABB./ABB. -Vale per J-	R.H. HEADLIGHT LOW/HIGH BEAM -Valid for J-	14	13299477	8	VITE	SCREW
3	65412110	1	CORNICE FANALI SX.	L.H. LIGHT FRAME	15	62764200	8	MOLLETTA	CLIP
-	65412010	1	CORNICE FANALI DX.	R.H. LIGHT FRAME	16	12637824	8	ROSETTA	WASHER
4	65412300	1	RIVESTIMENTO ESTERNO SX.	L.H. EXTERNAL PANEL	17	127493	8	ROSETTA	WASHER
-	65412200	1	RIVESTIMENTO ESTERNO DX.	R.H. EXTERNAL PANEL	18	10977624	8	VITE	SCREW
5	65412700	1	TUBO ROTAZIONE SX.	L.H. ROTATION TUBE	19	139637	2	STAFFA FISSAGGIO CAVI	BRACKET FOR CABLES FIXING
-	65412600	1	TUBO ROTAZIONE DX.	R.H. ROTATION TUBE	20	143119	2	MOLLETTA DI FISSAGGIO	FIXING CLIP
6	65413300	2	STAFFA REGOLAZIONE FARO	HEADLIGHT ADJUSTING BRACKET	21	102741	2	DADO	NUT
					22	10519424	2	ROSETTA	WASHER
					23	148086	2	PERNO PUNTO FISSO	FIXED POINT PIN
					24	148088	4	VITE REGOLAZIONE PROIETTORE	HEADLIGHT ADJUSTING SCREW
					25	10902421	8	VITE	SCREW
					26	10569274	8	ROSETTA	WASHER
					27	12639724	8	ROSETTA	WASHER
					28	64064700	2	CUFFIA DI PROTEZIONE	PROTECTION BOOT



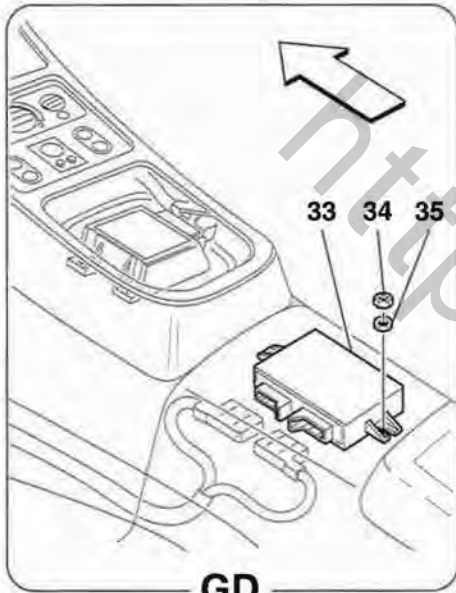
**456MGT/GTA**

**IMPIANTO ELETTRICO**  
**ELECTRICAL SYSTEM**

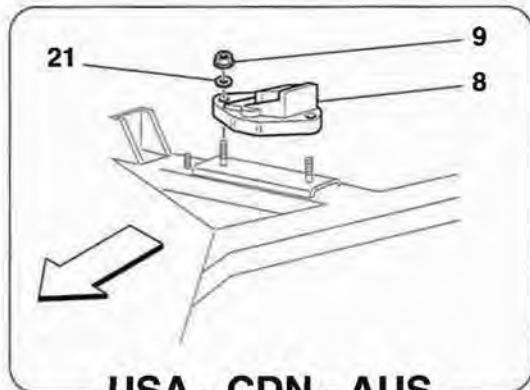
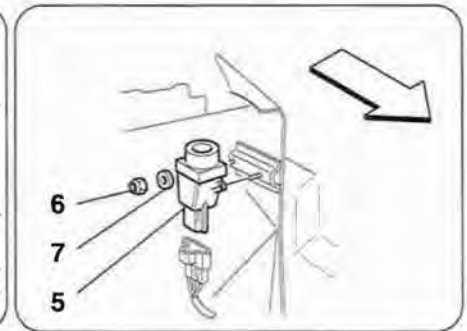
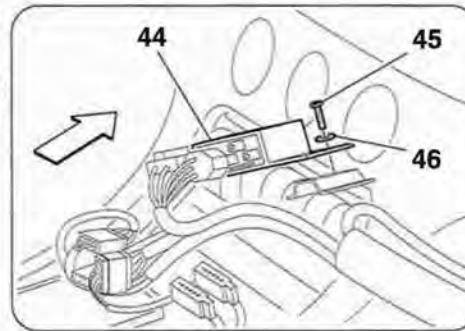
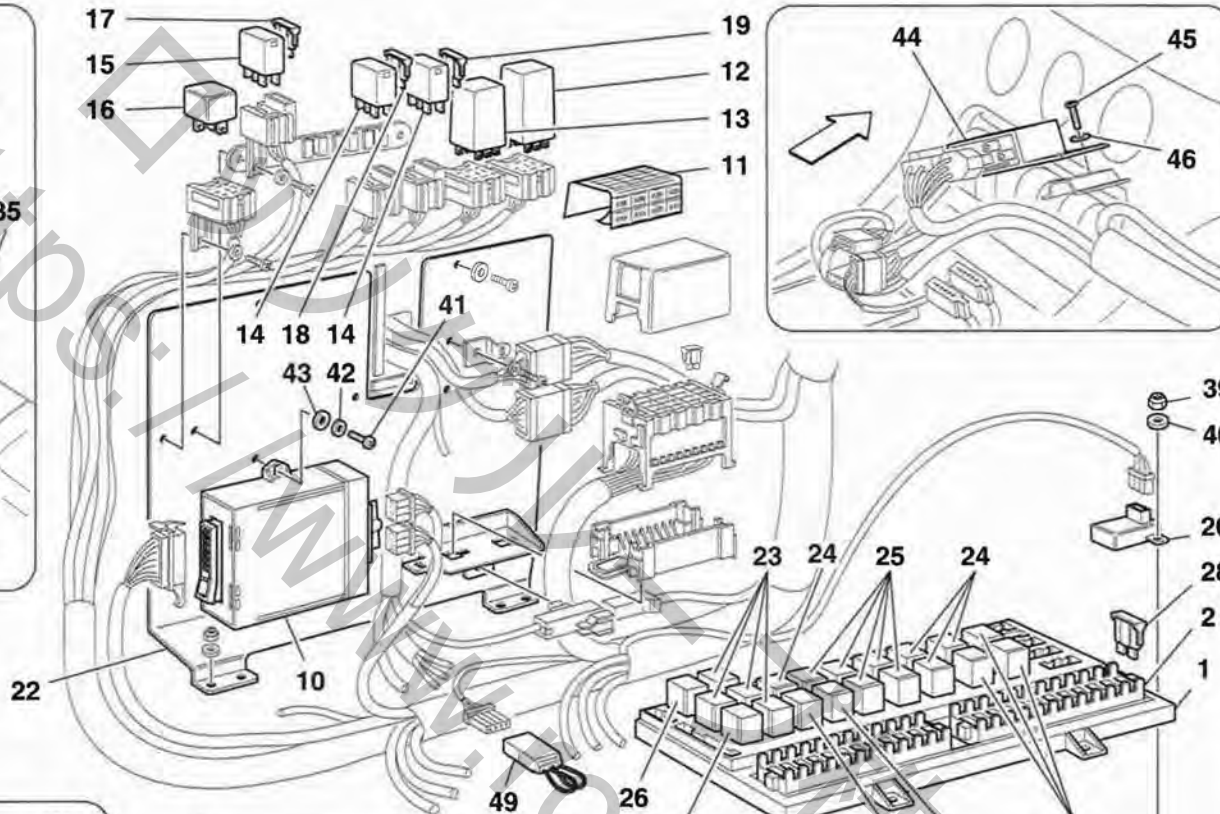
**TAV. 129**

DATA: OTTOBRE '98

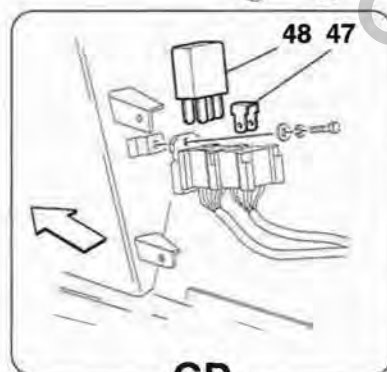
Rif	Dis.N° Part.N°	Q.ty	Denominazione	Description	Rif	Dis.N° Part.N°	Q.ty	Denominazione	Description
1	174481	1	CAVI ANTERIORI -No per GD-	FRONT CABLES -Not for GD-	8	176141	2	CAVO COLLEGAMENTO FANALE ANT.	FRONT LIGHT CONNECTION CABLES
-	177172	1	CAVI ANTERIORI -Vale per GD-	FRONT CABLES -Valid for GD-	9	174489	1	CAVI COLLEGAMENTO APERTURA COFANO BAULE	TRUNK HOOD BONNET CONNECTION CABLES
2	178352	1	CAVI COLLEGAMENTO PLANCIA -No per GD e J-	DASHBOARD PANEL CONNECTION CABLES -Not for GD and J-	10	174492	1	CAVI LUCI TARGA -No per USA e CDN-	CABLES FOR NUMBER PLATE LIGHTS -Not for USA and CDN-
-	177160	1	CAVI COLLEGAMENTO PLANCIA -Vale per GD-	DASHBOARD PANEL CONNECTION CABLES -Valid for GD-	-	177044	1	CAVI LUCI TARGA e SIDE-MARKER -Vale per USA e CDN-	CABLES FOR NUMBER PLATE LIGHTS AND SIDE-MARKER -Valid for USA and CDN-
-	178071	1	CAVI COLLEGAMENTO PLANCIA -Vale per J-	DASHBOARD PANEL CONNECTION CABLES -Valid for J-	11	174490	1	CAVI COLLEGAMENTO DISPOSITIVI ABS/ASR -No per GD-	CABLES FOR ABS/ASR DEVICES VEHICLES CONNECTION -Not for GD-
3	178354	1	CAVI POSTERIORI -No per 456M GTA-	REAR CABLES -Not for 456M GTA-	-	177175	1	CAVI COLLEGAMENTO DISPOSITIVI ABS/ASR -Vale per GD-	CABLES FOR ABS/ASR DEVICES VEHICLES CONNECTION -Valid for GD-
-	178353	1	CAVI POSTERIORI -Vale per 456M GTA-	REAR CABLES -Valid for 456M GTA-	12	176203	1	CAVI COLLEGAMENTO SERVIZI MOTORE -No per GD-	CABLES FOR MOTOR DEVICES CONNECTION -Not for GD-
4	174486	2	CAVI COLLEGAMENTO PORTA	DOOR CONNECTION CABLES	-	177182	1	CAVI COLLEGAMENTO SERVIZI MOTORE -Vale per GD-	CABLES FOR MOTOR DEVICES CONNECTION -Valid for GD-
5	168529	2	CAVI COLLEGAMENTO INIETTORI	INJECTOR CONNECTION CABLES	13	174495	1	CAVI COLLEGAMENTO BANCATA DX.	R.H. ENGINE SIDE CONNECTION CABLE
6	174485	1	CAVI COLLEGAMENTO STRUMENTI TUNNEL -No per USA, CDN e J-	TUNNEL INSTRUMENTS CONNECTION CABLES -Not for USA, CDN and J-	-	177183	1	CAVI COLLEGAMENTO BANCATA DX.	R.H. ENGINE SIDE CONNECTION CABLE
-	176981	1	CAVI COLLEGAMENTO STRUMENTI TUNNEL -Vale per USA e CDN-	TUNNEL INSTRUMENTS CONNECTION CABLES -Valid for USA and CDN-	14	174496	1	CAVI COLLEGAMENTO BANCATA SX.	L.H. ENGINE SIDE CONNECTION CABLE
-	178072	1	CAVI COLLEGAMENTO STRUMENTI TUNNEL -Vale per J-	TUNNEL INSTRUMENTS CONNECTION CABLES -Valid for J-	-	177184	1	CAVI COLLEGAMENTO BANCATA SX.	L.H. ENGINE SIDE CONNECTION CABLE
7	175648	2	CAVO COLLEGAMENTO FANALE POST. -No per USA e CDN-	REAR LIGHT CONNECTION CABLES -Not for USA and CDN-	15	175087	1	PONTICELLO LINEA CAN -No per 456M GTA-	JUMPER CAN LINE -Not for 456M GTA-
-	176986	2	CAVO COLLEGAMENTO FANALE POST. -Vale per USA e CDN-	REAR LIGHT CONNECTION CABLES -Valid for USA and CDN-					



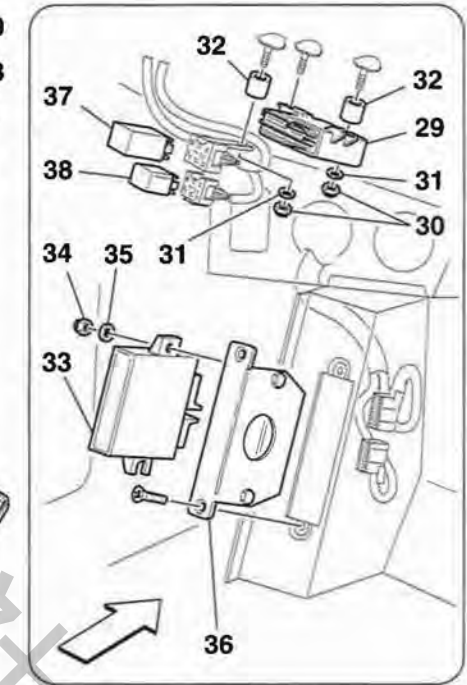
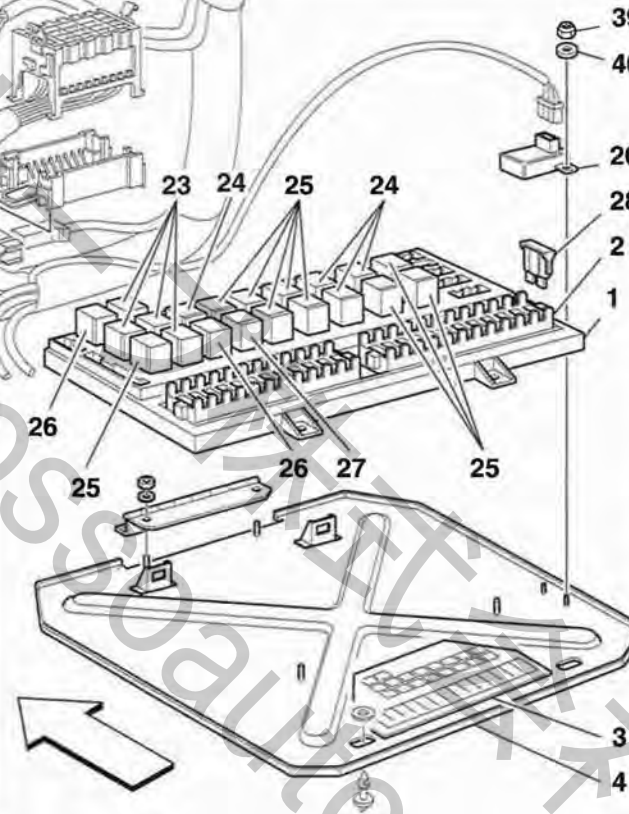
GD



USA - CDN - AUS



GD



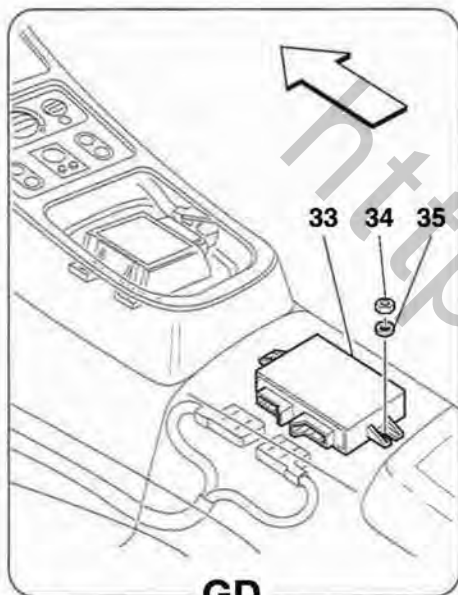
**456MGT/GTA**

CENTRALINE  
ELECTRICAL BOARDS

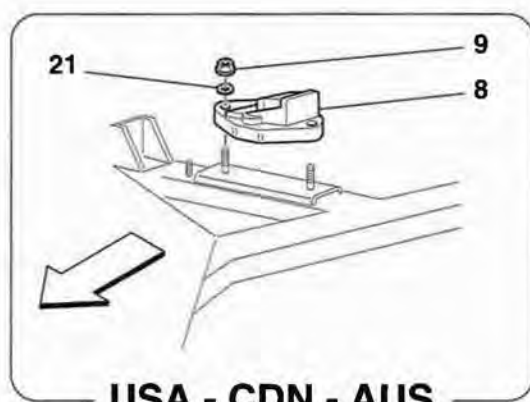
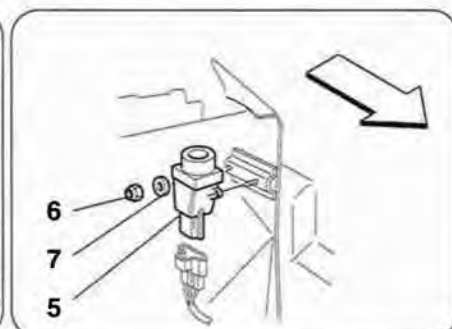
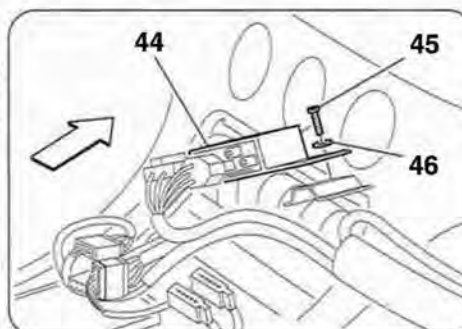
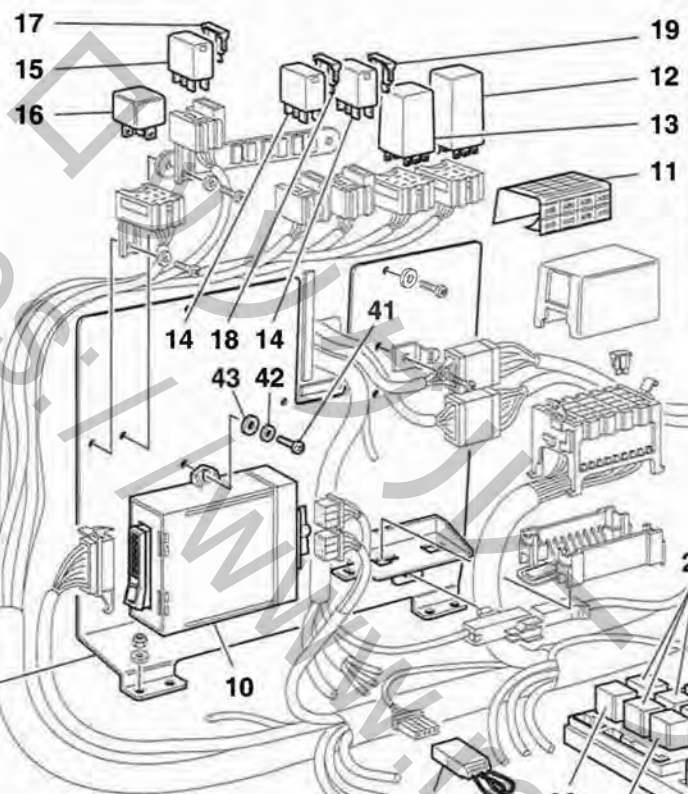
TAV. 130  
DATA: OTTOBRE '98



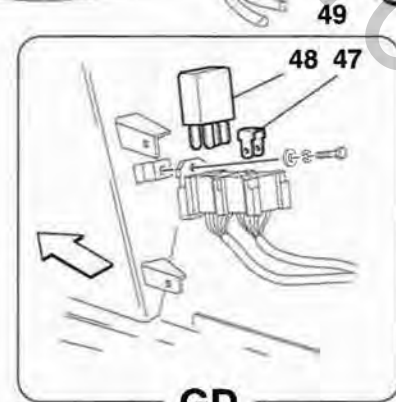
Rif	Dis.N° Part.N°	Q.ty	Denominazione	Description	Rif	Dis.N° Part.N°	Q.ty	Denominazione	Description
-	174790	1	CENTRALINA ELETTRONICA COMPLETA -No per USA-	COMPLETE ELECTRIC BOARD -Not for USA-	18	125240	1	FUSIBILE LAMELLARE 7,5 A.	FUSE 7,5 A.
-	175754	1	CENTRALINA ELETTRONICA COMPLETA -Vale per USA-	COMPLETE ELECTRIC BOARD -Valid for USA-	19	126031	1	FUSIBILE LAMELLARE 25 A. -Vale per 456M GTA-	FUSE 25 A. -Valid for 456M GTA-
1	147000	1	PIASTRA CENTRALINA	CONTROL UNIT PLATE	20	168228	1	CENTRALINA ELETTRONICA ESCLUSIONE ASR -Non piu' a ricambio- -Sostituito dal 179418-	ASR EXCLUSION CONTROL STATION -Not as spare part now- -Replaced by 179418-
2	61352100	2	SCATOLA PORTAFUSIBILI	FUSES BOX	-	179418	1	CENTRALINA ELETTRONICA ESCLUSIONE ASR	ASR EXCLUSION CONTROL STATION
3	179930	1	TARGHETTA IDENTIFICAZIONE RELAY E FUSIBILI	RELAYS AND FUSES NAMEPLATE	21	14496424	2	ROSETTA -Vale per USA, CDN e AUS-	WASHER -Valid for USA, CDN and AUS-
4	174919	1	PIASTRA APPOGGIAPIEDI PASSEGGERO -No per GD-	PASSENGER FOOT-REST PLATE -Not for GD-	22	175620	1	PIASTRA FISS. CENTRALINE -No per GD-	ELECTRIC UNITS FIXING PLATE -Not for GD-
-	176912	1	PIASTRA APPOGGIAPIEDI PASSEGGERO -Vale per GD-	PASSENGER FOOT-REST PLATE -Valid for GD-	-	177179	1	PIASTRA FISS. CENTRALINE -Vale per GD-	ELECTRIC UNITS FIXING PLATE -Valid for GD-
5	163675	1	INTERRUTTORE INERZIALE	INERTIAL SWITCH	23	175318	4	TELERUTTORE IMPIANTO INIEZIONE	INJECTION DEVICE RELAY
6	113647	2	DADO	NUT	24	157992	4	TELERUTTORE DEVIATORE 30/20 A.	DEVIATOR RELAY 30/20 A.
7	12637824	2	ROSETTA	WASHER	25	157991	9	TELERUTTORE INTERRUTTORE 30 A.	SWITCH RELAY 30 A.
8	166784	1	SENSORE ACCELERAZIONE -Vale per USA, CDN e AUS-	ACCELERATION SENSOR -Valid for USA, CDN and AUS-	26	157802	2	TELERUTTORE DOPPIO INTERRUTTORE	DOUBLE SWITCH RELAY
9	102741	2	DADO -Vale per USA, CDN e AUS-	NUT -Valid for USA, CDN and AUS-	27	157802	1	TELERUTTORE DOPPIO INTERRUTTORE -No per USA-	DOUBLE SWITCH RELAY -Not for USA-
10	174762	1	CENTRALINA COMANDO ALZACRISTALLI -No per USA, CDN e AUS-	GLASS LIFTING CONTROL ELECTRIC UNIT -Not for USA, CDN and AUS-	-	157991	1	TELERUTTORE INTERRUTTORE 30 A. -Vale per USA-	SWITCH RELAY 30 A. -Valid for USA-
-	179080	1	CENTRALINA COMANDO ALZACRISTALLI -Vale per USA, CDN e AUS-	GLASS LIFTING CONTROL ELECTRIC UNIT -Valid for USA, CDN and AUS-	28	155459	3	FUSIBILE 5 A.	FUSE 5 A.
11	174794	1	TARGHETTA IDENTIFICAZIONE FUSIBILI	FUSES NAMEPLATE	-	125240	2	FUSIBILE 7,5 A.	FUSE 7,5 A.
12	174763	1	CENTRALINA COMANDO IDROGUIDA	HYDRAULIC STEERING CONTROL ELECTRIC UNIT	-	125241	9	FUSIBILE 10 A.	FUSE 10 A.
13	171596	1	CENTRALINA COMANDO LUCI RETRONEBBIA -No per USA e CDN-	REAR FOG LIGHT CONTROL ELECTRIC UNIT -Not for USA and CDN-	-	125242	4	FUSIBILE 15 A.	FUSE 15 A.
14	161590	2	MICRORELE' INTERRUTTORE 20 A.	MICRO-RELAY SWITCH 20 A.	-	125243	1	FUSIBILE 20 A.	FUSE 20 A.
15	161591	1	MICRORELE' DEVIATORE 10/20 A.	MICRO-RELAY 10/20 A.	-	126031	3	FUSIBILE 25 A.	FUSE 25 A.
16	157802	1	TELERUTTORE DOPPIO INTERRUTTORE	DOUBLE SWITCH RELAY	-	131941	2	FUSIBILE 30 A.	FUSE 30 A.
17	125242	1	FUSIBILE LAMELLARE 15 A.	FUSE15 A.	29	153095	1	INTERMETTITORE TERGICRISTALLO	WINDSHIELD WIPER INTERMITTER
					30	102741	3	DADO	NUT
					31	10519424	3	ROSETTA	WASHER
					32	172613	3	DISTANZIALE	SPACER
					33	174764	1	CENTRALINA ELETTRONICA COMANDO AMMORTIZZATORI -No per 456M GTA-	SHOCK ABSORBERS ELECTRONIC CONTROL STATION -Not for 456M GTA-
					-	175747	1	CENTRALINA ELETTRONICA COMANDO AMMORTIZZATORI -Vale per 456M GTA-	SHOCK ABSORBERS ELECTRONIC CONTROL STATION -Valid for 456M GTA-



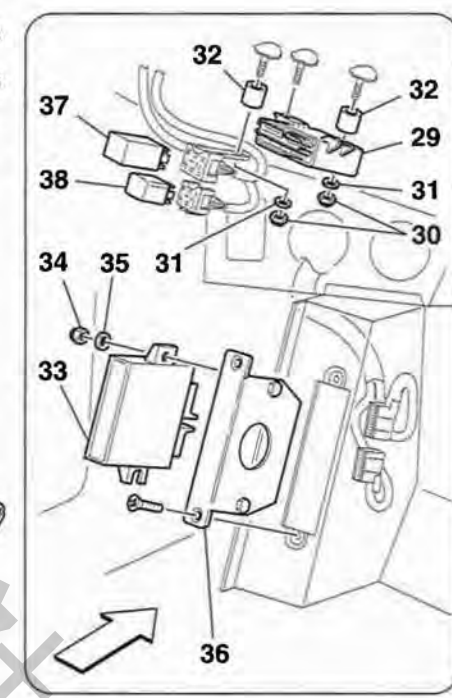
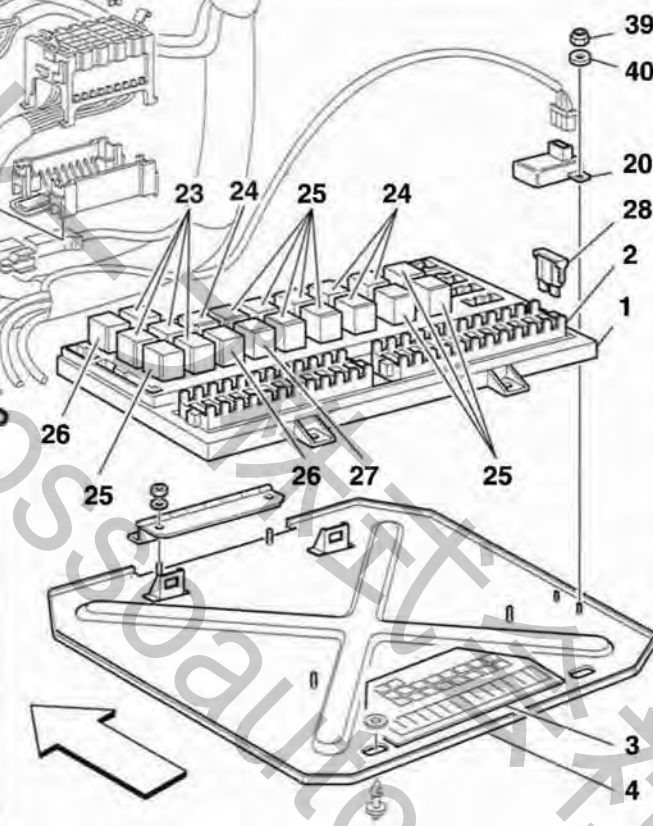
**GD**



**USA - CDN - AUS**



**GD**

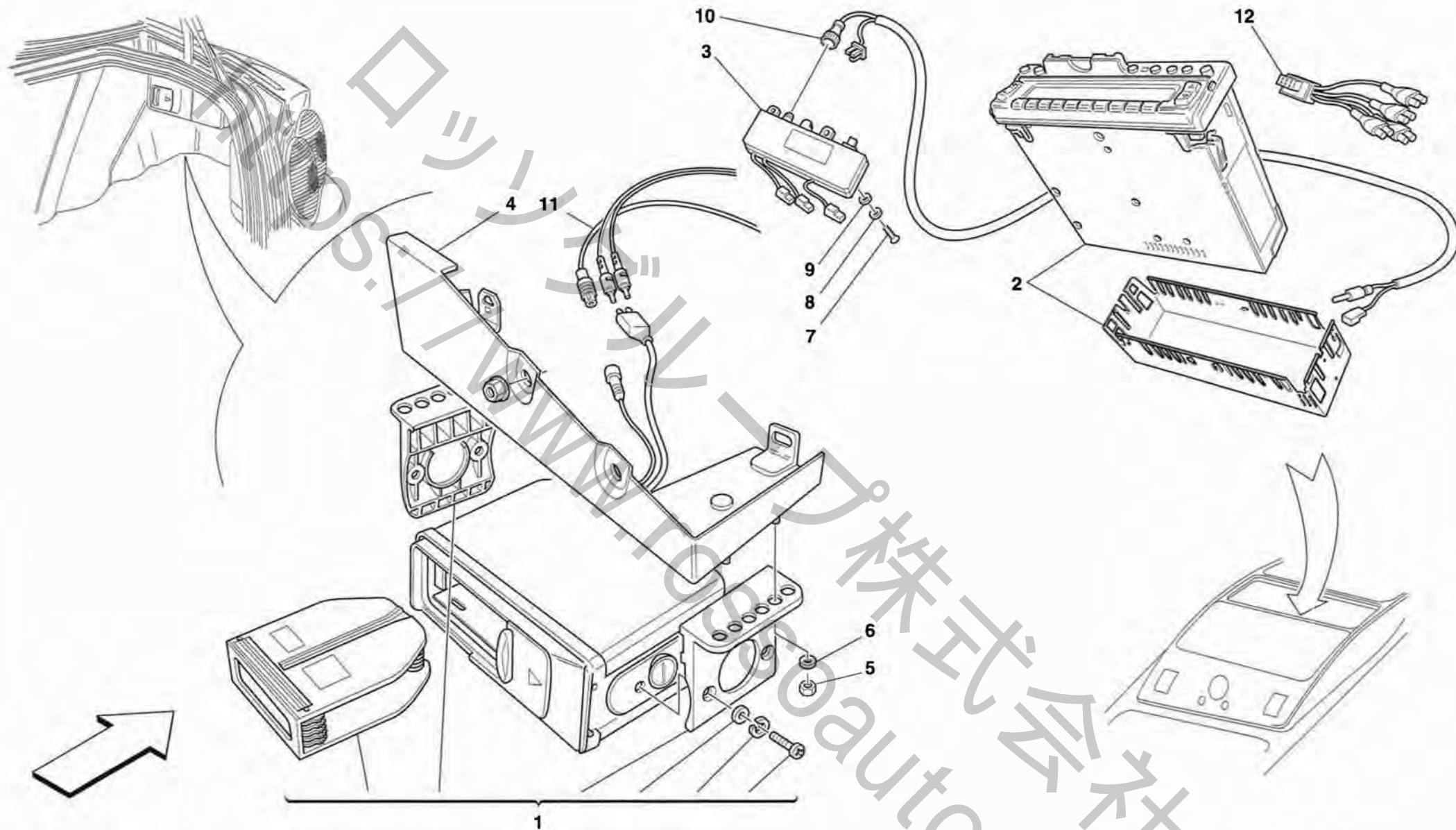


**456MGT/GTA**

**CENTRALINE  
ELECTRICAL BOARDS**

**TAV. 130  
DATA: OTTOBRE '98**

Rif	Dis.N° Part.N°	Q.ty	Denominazione	Description	Rif	Dis.N° Part.N°	Q.ty	Denominazione	Description
34	113647	2	DADO	NUT	43	12637824	2	ROSETTA	WASHER
35	12637824	2	ROSETTA	WASHER	44	166851	1	MODULO BLOCCO/SBLOCCO PORTE	LOCK/UNLOCK DOORS MODULE
36	175684	1	STAFFA	BRACKET	45	13272011	1	VITE	SCREW
37	170762	1	INTERMITTENZA LUCI DIREZIONE-EMERGENZA	DIRECTION-EMERGENCY LIGHT RELAY	46	10519224	1	ROSETTA	WASHER
-	171375	1	INTERMITTENZA LUCI DIREZIONE-EMERGENZA	DIRECTION-EMERGENCY LIGHT RELAY	47	178433	2	PONTICELLO PER MICRORELE' ACCENDISIGARI	JUMPER FOR CIGAR LIGHTER RELAY
38	157991	1	TELERUTTORE DOPPIO INTERRUTTORE 30 A.	DOUBLE SWITCH RELAY 30 A.	48	161590	2	MICRORELE' INTERRUTTORE 20 A. ACCENDISIGARI	MICRO-RELAY SWITCH 20 A. FOR CIGAR LIGHTER
39	62790300	2	DADO	NUT	49	175664	1	PONTICELLO PER LUCI DIURNE	JUMPER FOR DIURNAL LIGHTS
40	12642877	2	ROSETTA	WASHER	-	175663	1	PONTICELLO PER LUCI DIURNE	JUMPER FOR DIURNAL LIGHTS
41	13274014	2	VITE	SCREW					
42	127493	2	ROSETTA	WASHER					



**456MGT/GTA**

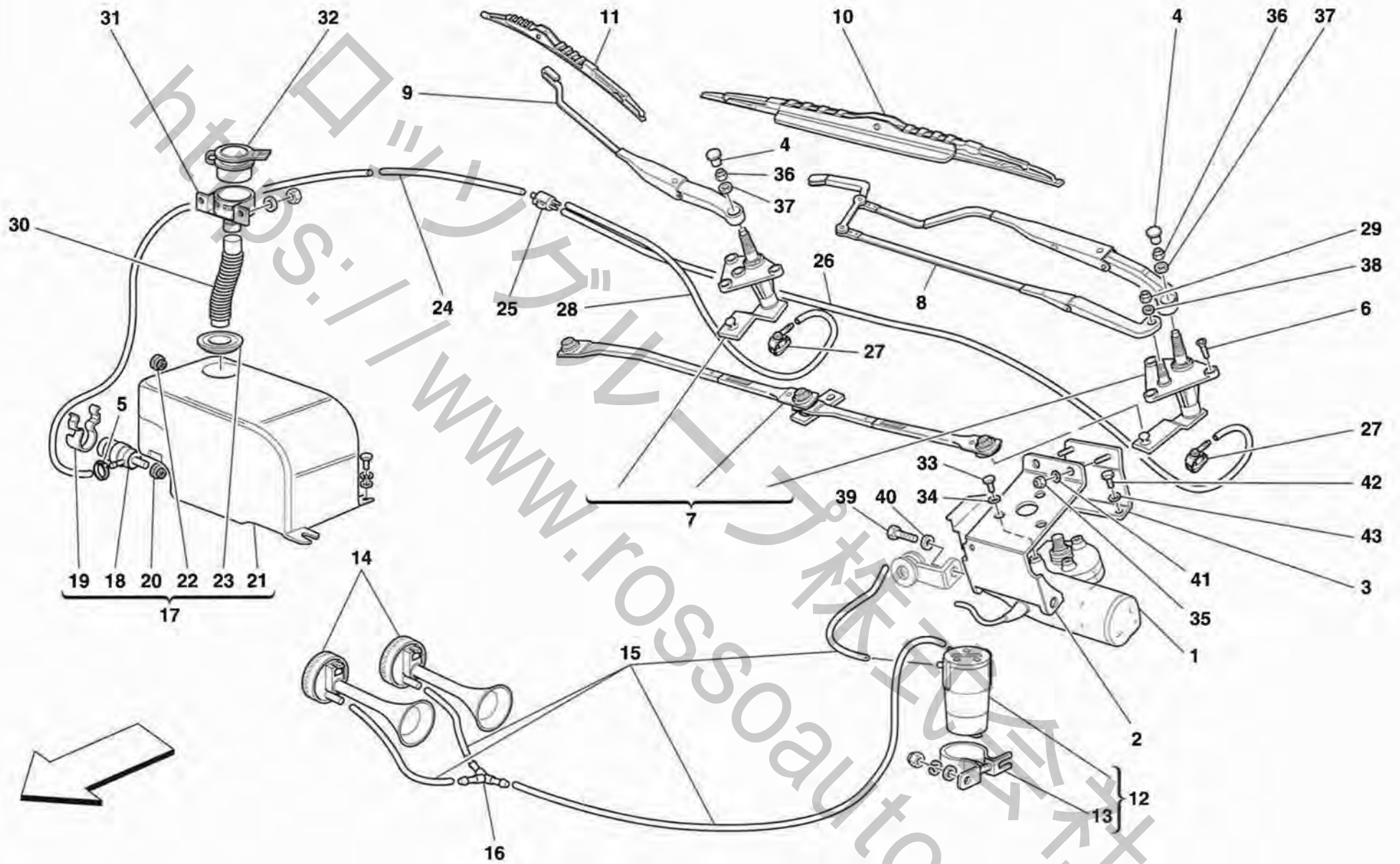
**IMPIANTO STEREO**  
**STEREO EQUIPMENT**

**TAV. 131**

**DATA: OTTOBRE '98**



Rif	Dis.N° Part.N°	Q.ty	Denominazione	Description	Rif	Dis.N° Part.N°	Q.ty	Denominazione	Description
1	168856	1	LETTORE COMPACT DISC -No per J-	COMPACT DISC PLAYER -Not for J-	7	10977624	2	VITE	SCREW
-	172947	1	LETTORE COMPACT DISC -Vale per J-	COMPACT DISC PLAYER -Valid for J-	8	127493	2	ROSETTA	WASHER
2	175730	1	SINTOAMPLIFICATORE -No per USA, CDN e J-	TUNER AMPLIFIER -Not for USA, CDN and J-	9	12637824	2	ROSETTA	WASHER
-	176985	1	SINTOAMPLIFICATORE -Vale per USA e CDN-	TUNER AMPLIFIER -Valid for USA and CDN-	10	166855	1	CAVO COASSIALE ANTENNA	ANTENNA COAXIAL CABLE
-	174267	1	SINTOAMPLIFICATORE -Vale per J-	TUNER AMPLIFIER -Valid for J-	11	174804	1	CAVO CARICATORE CD -No per J-	CD CHARGER CABLE -Not for J-
3	63882100	1	PREAMPLIFICATORE PER ANTENNA AUTORADIO	CAR RADIO ANTENNA PRE-AMPLIFIER	-	169951	1	CAVO CARICATORE CD -BUS-	CD CHARGER CABLE -BUS-
4	175089	1	STAFFA FISS. CARICATORE	CD CHARGER FIXING BRACKET	-	169952	1	CAVO CARICATORE CD -Terminali RCA-	CD CHARGER CABLE -RCA ends-
5	62790300	4	DADO	NUT	12	169959	1	CAVI COLLEG. VETTURA A RADIO -Vale per J-	RADIO CONNECTING CABLES -Valid for J-
6	12642877	4	ROSETTA	WASHER					



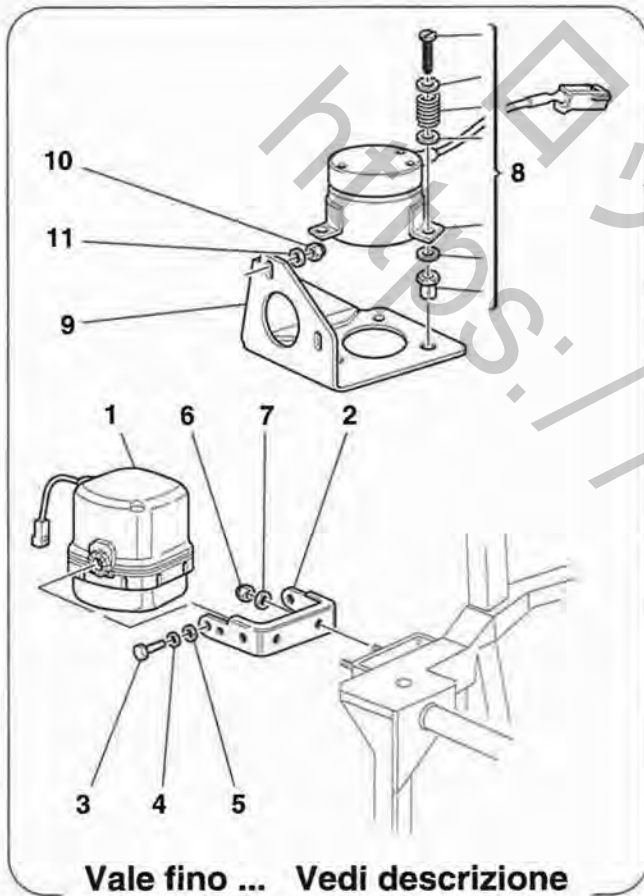
**456MGT/GTA**

**TERGICRISTALLO, LAVACRISTALLO E TROMBE**  
**WINDSHIELD WIPER, WASHER AND HORNS**

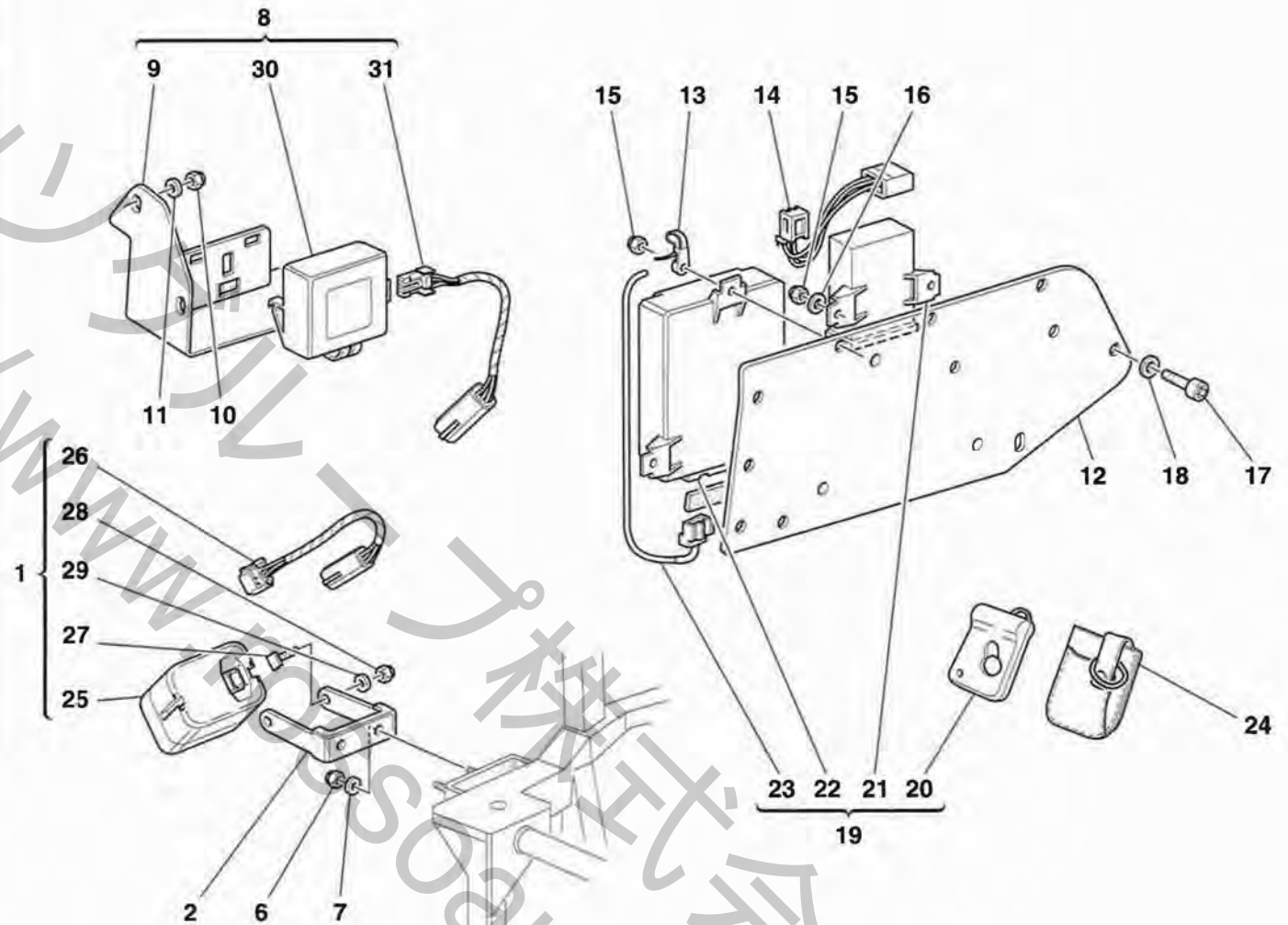
**TAV. 132**

DATA: OTTOBRE '98

Rif	Dis.N° Part.N°	Q.ty	Denominazione	Description	Rif	Dis.N° Part.N°	Q.ty	Denominazione	Description
1	63780200	1	MOTORE PER TERGICRISTALLO -No per GD-	WIPER MOTOR -Not for GD-	13	60741200	1	STAFFA FISSAGGIO	BRACKET FOR
-	64275500	1	MOTORE PER TERGICRISTALLO -Vale per GD-	WIPER MOTOR -Valid for GD-				ELETTROCOMPRESSORE	ELECTRO-COMPRESSOR
2	65750400	1	MOTORE PER TERGICRISTALLO	WIPER MOTOR	14	162302	1	AVVISATORE ACUSTICO	PNEUMATIC
-	65514300	1	STAFFA ANTERIORE MOTORE TERGICRISTALLO -No per GD-	WINDSHIELD WIPER MOTOR FRONT BRACKET -Not for GD-				PNEUMATICO	HORN
-	65514300	1	STAFFA ANTERIORE MOTORE TERGICRISTALLO -Vale per GD-	WINDSHIELD WIPER MOTOR FRONT BRACKET -Valid for GD-	15	155904	1	TUBO GOMMA	RUBBER PIPE
3	63878800	1	STAFFA POSTERIORE MOTORE TERGICRISTALLO -No per GD-	WINDSHIELD WIPER MOTOR REAR BRACKET -Not for GD-	16	60741100	1	RACCORDO A TRE VIE	3-WAY UNION
4	65190900	2	COPERCHIETTO -No per GD-	SMALL COVER -Not for GD-	17	63970100	1	CONTENITORE	COMPLETE WINDSHIELD
-	65081700	2	COPERCHIETTO -Vale per GD-	SMALL COVER -Valid for GD-				LAVACRISTALLO COMPLETO	WIPER CONTAINER
5	173710	1	COLLARE A VITE	SCREW COLLAR	18	65358700	1	POMPA LAVACRISTALLO	WIPER PUMP
6	14441324	6	VITE	SCREW	19	63290800	1	MOLLA	SPRING
7	65081300	1	COMPLESSIVO LEVERAGGIO E PERNI COMPLETO -No per GD-	COMPLETE WINDSHIELD WIPER LEVERAGE AND PINS -Not for GD-	20	63290900	1	BOCCOLA IN GOMMA	RUBBER BUSHING
-	65202600	1	COMPLESSIVO LEVERAGGIO E PERNI COMPLETO -Vale per GD-	COMPLETE WINDSHIELD WIPER LEVERAGE AND PINS -Valid for GD-	21	63970200	1	CONTENITORE	WINDSHIELD WIPER
8	65645700	1	BRACCIO TERGICRISTALLO SX. -No per GD-	L.H. WINDSHIELD WIPER ARM -Not for GD-				LAVACRISTALLO	CONTAINER
-	65848500	1	BRACCIO TERGICRISTALLO SX. -Vale per GD-	L.H. WINDSHIELD WIPER ARM -Valid for GD-	22	63291000	1	TAPPO PER FORO SFIATO	CAP FOR BREATHER HOLE
9	65081400	1	BRACCIO TERGICRISTALLO DX. -No per GD-	R.H. WINDSHIELD WIPER ARM -Not for GD-	23	63954700	1	ANELLO TENUTA TUBO	TUBE TIGHTENING RING
-	65645800	1	BRACCIO TERGICRISTALLO DX. -Vale per GD-	R.H. WINDSHIELD WIPER ARM -Valid for GD-	24	65559600	1	TUBO DA POMPA A VALVOLA	PIPE FROM PUMP TO VALVE
10	65755100	1	SPAZZOLA TERGICRISTALLO PILOTA	PILOT WIPER BRUSH	25	61648100	1	VALVOLA DI NON RITORNO	NONRETURN VALVE
11	63756100	1	SPAZZOLA TERGICRISTALLO PASSEGGERO	PASSENGER WIPER BRUSH	26	65559700	1	TUBO DA VALVOLA A BRACCIO PILOTA	PIPE FROM VALVE TO PILOT ARM
12	139920	1	ELETTROCOMPRESSORE	ELECTRO-COMPRESSOR	27	65191000	2	SPRUZZATORE PER LAVACRISTALLI	JET FOR WINDOW WASHING
					28	65559800	1	TUBO DA VALVOLA A BRACCIO PASSEGGERO	PIPE FROM VALVE TO PASSENGER ARM
					29	15896472	1	DADO	NUT
					30	63969500	1	TUBO PLASTICO	PLASTIC HOSE
					31	63449500	1	BOCCHETTA	FEED OPENING
					32	63118500	1	TAPPO	PLUG
					33	10902224	3	VITE	SCREW
					34	127494	3	ROSETTA	WASHER
					35	147985	2	DADO	NUT
					36	16100814	2	DADO	NUT
					37	12601374	2	ROSETTA	WASHER
					38	12601176	1	ROSETTA	WASHER
					39	16043324	2	VITE	SCREW
					40	127496	2	ROSETTA	WASHER
					41	14499401	2	ROSETTA	WASHER
					42	10902224	2	VITE	SCREW
					43	127494	2	ROSETTA	WASHER



Vale fino ... Vedi descrizione  
Valid till ... See description



**456MGT/GTA**

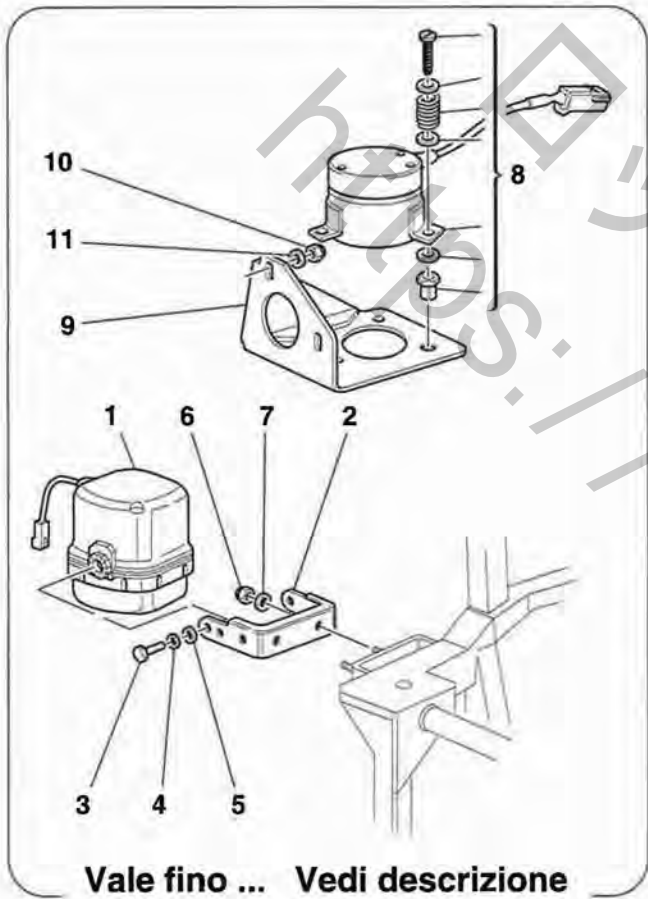
**CENTRALINE ANTIFURTO E DISPOSITIVI**  
**ANTI-THEFT ELECTRICAL BOARDS AND DEVICES**

**TAV. 133**

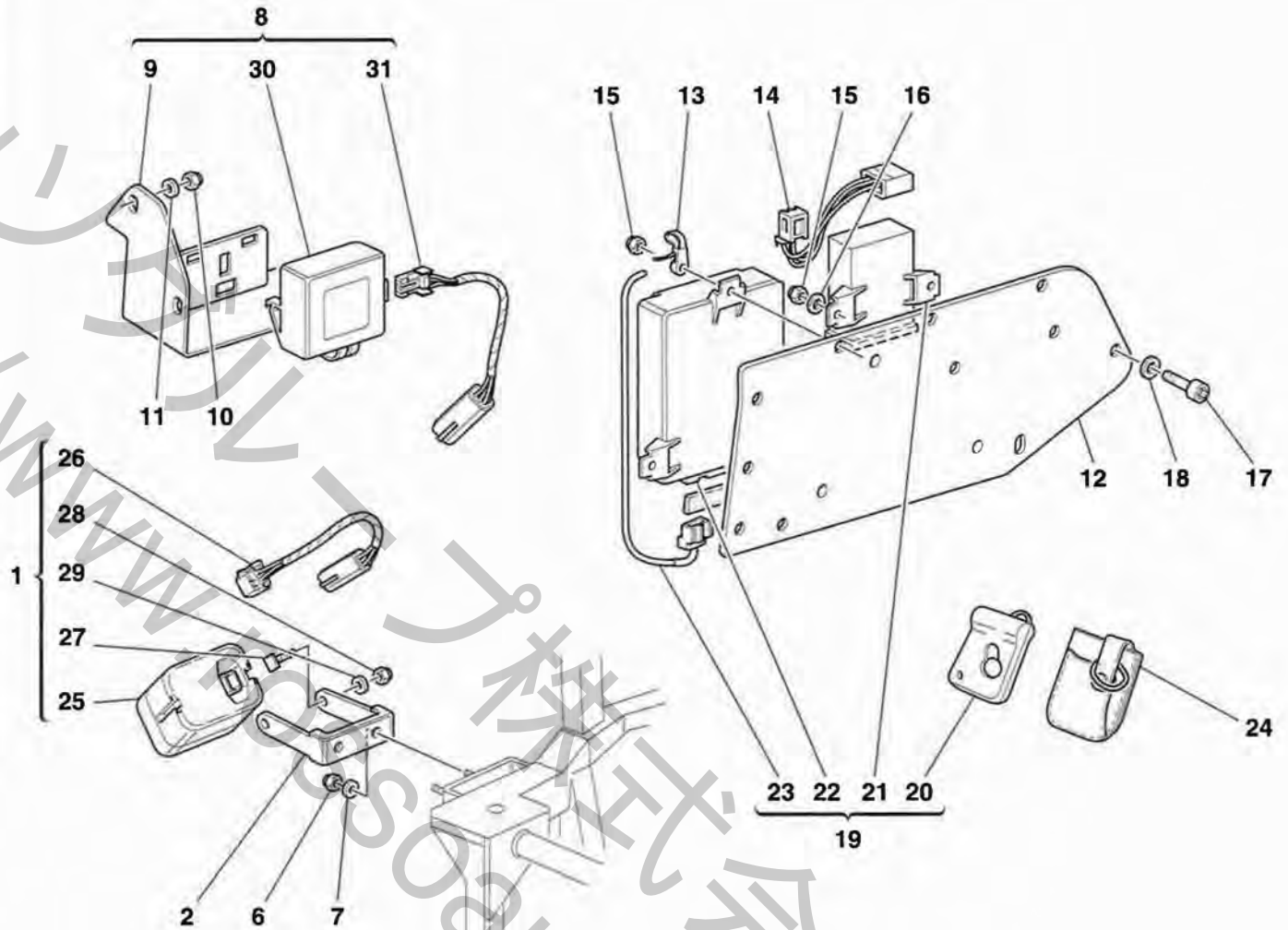
DATA: OTTOBRE '98



Rif	Dis.N° Part.N°	Q.ty	Denominazione	Description	Rif	Dis.N° Part.N°	Q.ty	Denominazione	Description					
1	165018	1	SIRENA AUTOALIMENTATA	SIREN	19	171896	1	KIT CENTRALINE ANTIFURTO COMPL.	COMPLETE ANTI-THEFT ELECTRICAL BOARDS KIT					
			-Vale fino alla vett. Ass. Nr. 30987-	-Valid till car Ass. Nr. 30987-				-No per D, CH, B, NL, GB, IRL, USA, CDN, AUS-	-Not for D, CH, B, NL, GB, IRL, USA, CDN, AUS-					
			-Non piu' a ricambio-	-Not as spare part now-				-Vale per i paesi... vedi nota "1"-	-For countries... , see note "1"-					
			-Sostituito dal 180095-	-Replaced by 180095-										
-	180095	1	SIRENA AUTOALIMENTATA COMPLETA	COMPLETE SIREN	-	172794	1	KIT CENTRALINE ANTIFURTO COMPL.	COMPLETE ANTI-THEFT ELECTRICAL BOARDS KIT					
			-Vale dalla vett. Ass. Nr. 30988-	-Valid from car Ass. Nr. 30988-				-Vale per D-	-Valid for D-					
			-Sostituisce il 165018-	-Replaces 165018-										
2	168584	1	STAFFA	BRACKET	-	172806	1	KIT CENTRALINE ANTIFURTO COMPL.	COMPLETE ANTI-THEFT ELECTRICAL BOARDS KIT					
			-Vale fino alla vett. Ass. Nr. 30987-	-Valid till car Ass. Nr. 30987-				-Vale per CH-	-Valid for CH-					
-	179302	1	STAFFA	BRACKET	-	172807	1	KIT CENTRALINE ANTIFURTO COMPL.	COMPLETE ANTI-THEFT ELECTRICAL BOARDS KIT					
			-Vale dalla vett. Ass. Nr. 30988-	-Valid from car Ass. Nr. 30988-				-Vale per B-	-Valid for B-					
3	10979414	2	VITE	SCREW	-	172808	1	KIT CENTRALINE ANTIFURTO COMPL.	COMPLETE ANTI-THEFT ELECTRICAL BOARDS KIT					
			-Vale fino alla vett. Ass. Nr. 30987-	-Valid till car Ass. Nr. 30987-				-Vale per NL-	-Valid for NL-					
4	127494	2	ROSETTA	WASHER	-	172808	1	KIT CENTRALINE ANTIFURTO COMPL.	COMPLETE ANTI-THEFT ELECTRICAL BOARDS KIT					
			-Vale fino alla vett. Ass. Nr. 30987-	-Valid till car Ass. Nr. 30987-				-Vale per GB e IRL-	-Valid for GB and IRL-					
5	12646601	2	ROSETTA	WASHER	-	172809	1	KIT CENTRALINE ANTIFURTO COMPL.	COMPLETE ANTI-THEFT ELECTRICAL BOARDS KIT					
			-Vale fino alla vett. Ass. Nr. 30987-	-Valid till car Ass. Nr. 30987-				-Vale per USA, CDN, AUS e per i paesi... vedi nota "2"-	-Valid for USA, CDN, AUS and for countries ... , see note "2"-					
6	102741	2	DADO	NUT	-	171901	1	KIT CENTRALINE ANTIFURTO COMPL.	COMPLETE ANTI-THEFT ELECTRICAL BOARDS KIT					
7	12646601	2	ROSETTA	WASHER				-Vale per i paesi ... vedi nota "1"-	-For countries ... , see note "1"-					
8	167062	1	SENSORE ANTISOLLEVAMENTO	ANTI-LIFT SENSOR				-Vale per i paesi ... vedi nota "2"-	-For countries ... , see note "2"-					
			-Vale fino alla vett. Ass. Nr. 30741-	-Valid till car Ass. Nr. 30741-										
			-Non piu' a ricambio-	-Not as spare part now-										
			-Sostituito dal 65892700-	-Replaced by 65892700-										
-	65892700	1	SENSORE ANTISOLLEVAMENTO COMPLETO	COMPLETE ANTI-LIFT SENSOR				KIT TELECOMANDI	REMOTE KIT					
			-Vale dalla vett. Ass. Nr. 30742-	-Valid from car Ass. Nr. 30742-				-Vale per i paesi ... vedi nota "1"-	-For countries ... , see note "1"-					
			-Sostituisce il 167062-	-Replaces 167062-				-Vale per i paesi ... vedi nota "2"-	-For countries ... , see note "2"-					
9	64730300	1	STAFFA	BRACKET				KIT TELECOMANDI	REMOTE KIT					
			-Vale fino alla vett. Ass. Nr. 30741-	-Valid till car Ass. Nr. 30741-										
-	65855900	1	STAFFA	BRACKET										
			-Vale dalla vett. Ass. Nr. 30742-	-Valid from car Ass. Nr. 30742-										
10	113647	2	DADO	NUT										
11	12638124	2	ROSETTA	WASHER										
12	64730200	1	SPORTELLINO PER ANTIFURTO	DOOR FOR ANTI-THEFT										
13	170011	2	FASCETTA	CLAMP										
14	166420	1	CAVI A CENTRALINA INTERFERENZE	CABLES FOR CONTROL UNIT										
15	113647	5	DADO	NUT										
16	12638124	5	ROSETTA	WASHER										
17	64882800	9	VITE	SCREW										
18	127494	9	ROSETTA	WASHER										
					<p><b>IMPORTANTE:</b> Per ordinare il kit centraline antifurto completo e/o il kit telecomandi, citare, a mezzo fax, il n° di dis. della targhetta omologativa per telecomando, che trovate in elenco alla nota "3".</p>					<p><b>IMPORTANT:</b> To order the complete anti-theft ECU kit and/or the remote control kit, quote by fax, our part n° from the remote control homologation plate which you will find listed in note "3".</p>				
					20	165584	1	TELECOMANDO "MASTER" (ROSSO)	"MASTER" REMOTE CONTROL (RED)					
								-Non a ricambio-	-Not as a spare part-					
								-Con il Kit completo telecomandi 171851 o il Kit centraline antifurto completo-	-With the remote control Kit 171851 or the complete anti-theft ECU Kit-					



Vale fino ... Vedi descrizione  
Valid till ... See description



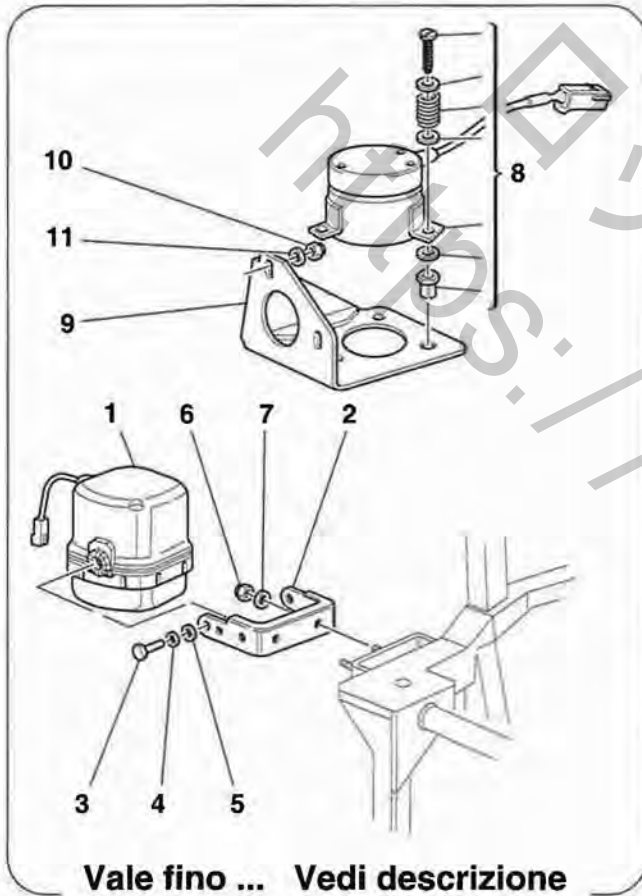
**456MGT/GTA**

**CENTRALINE ANTIFURTO E DISPOSITIVI**  
**ANTI-THEFT ELECTRICAL BOARDS AND DEVICES**

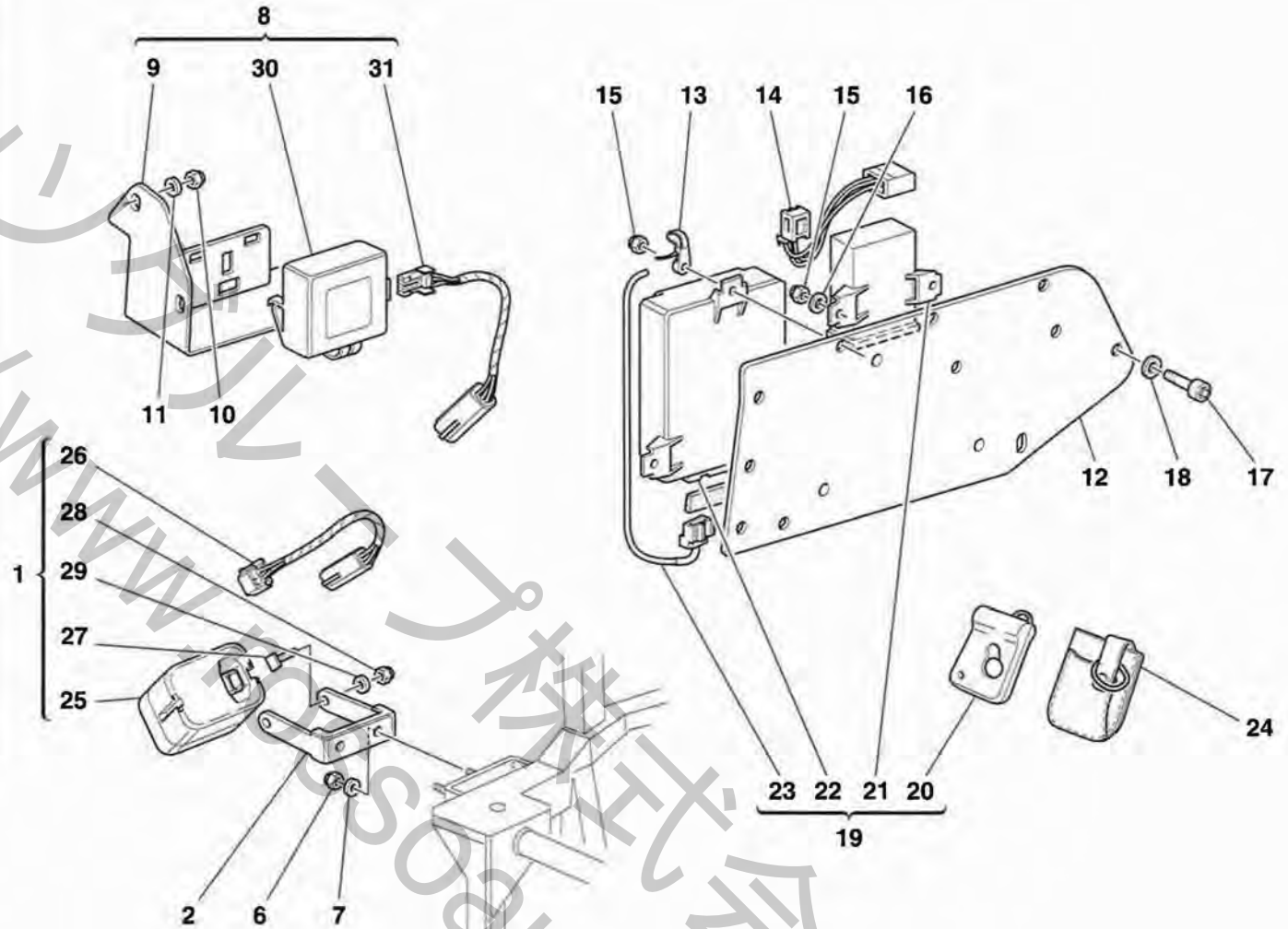
**TAV. 133**

DATA: OTTOBRE '98

Rif	Dis.N° Part.N°	Q.ty	Denominazione	Description	Rif	Dis.N° Part.N°	Q.ty	Denominazione	Description
-	165016	1	TELECOMANDO "SLAVE" (NERO) -Non a ricambio- -Con il Kit completo telecomandi 171851 o il Kit centraline antifurto completo-	"SLAVE" REMOTE CONTROL (BLACK) -Not as a spare part- -With the remote control Kit 171851 or the complete anti-theft ECU Kit-	27	179810	2	VITE QUADRA -Vale dalla vett. Ass. Nr. 30988-	SCREW -Valid from car Ass. Nr. 30988-
-	168016	1	TELECOMANDO "MASTER" (ROSSO) -Non a ricambio- -Con il Kit completo telecomandi 171852 o il Kit centraline antifurto completo-	"MASTER" REMOTE CONTROL (RED) -Not as a spare part- -With the remote control Kit 171852 or the complete anti-theft ECU Kit-	28	102948	2	DADO -Vale dalla vett. Ass. Nr. 30988-	NUT -Valid from car Ass. Nr. 30988-
-	167069	1	TELECOMANDO "SLAVE" (NERO) -Non a ricambio- -Con il Kit completo telecomandi 171852 o il Kit centraline antifurto completo-	"SLAVE" REMOTE CONTROL (BLACK) -Not as a spare part- -With the remote control Kit 171852 or the complete anti-theft ECU Kit-	29	12646601	2	ROSETTA -Vale dalla vett. Ass. Nr. 30988-	WASHER -Valid from car Ass. Nr. 30988-
21	165012	1	CENTRALINA INTERFACCIA MOTRONIC/ANTIF. -Non a ricambio- -Con il Kit centraline antifurto completo-	INTERFACE ELECTRONIC CONTROL STATION -Not as spare part- -With complete anti-theft ECU-	30	177149	1	SENSORE ANTISOLLEVAMENTO -Vale dalla vett. Ass. Nr. 30742-	ANTI-LIFT SENSOR -Valid from car Ass. Nr. 30742-
22	167065	1	CENTRALINA ANTIFURTO (Freq. 433 MHZ) -Non a ricambio- -Con il Kit centraline antifurto completo-	ANTI-THEFT ELECTRICAL BOARDS (Freq. 433 MHZ) -Not as a spare part- -With the complete anti-theft ECU-	31	180071	1	BRIGLIA -Vale dalla vett. Ass. Nr. 30742-	CABLE -Valid from car Ass. Nr. 30742-
-	167067	1	CENTRALINA ANTIFURTO (Freq. 315 MHZ) -Non a ricambio- -Con il Kit centraline antifurto completo-	ANTI-THEFT ELECTRICAL BOARDS (Freq. 315 MHZ) -Not as a spare part- -With the complete anti-theft ECU-	<div style="border: 1px solid black; padding: 5px;"> <p><b>Nota 1</b> Paesi con frequenza 433 MHz: Italia, Danimarca, Lussemburgo, Austria, Francia, Spagna, Portogallo, Svezia, Finlandia, Germania (con kit compl. centraline specifico), Svizzera (con kit compl. centraline specifico), Belgio (con kit completo antifurto specifico), Olanda (con kit completo antifurto specifico), Regno Unito (con kit completo antifurto specifico), Irlanda (con kit completo antifurto specifico), Grecia, Turchia, Cipro, Arabia Saudita, Kuwait, Bahrain, Brunei, Hong Kong, Cina, Thailand, Taiwan.</p> </div>				
23	169600	1	ANTENNA PER ANTIFURTO -Vale per i paesi... vedi nota "1"-	ANTI-THEFT ANTENNA -For countries... , see note "1"-	<div style="border: 1px solid black; padding: 5px;"> <p><b>Nota 2</b> Paesi con frequenza 315 MHz: Usa, Canada, Messico, Portorico, Brasile, Argentina, Venezuela, Libano, Emirati Arabi, Oman, Giappone, Singapore, Australia.</p> </div>				
-	169601	1	ANTENNA PER ANTIFURTO -Vale per i paesi... vedi nota "2"-	ANTI-THEFT ANTENNA -For countries... , see note "2"-	<div style="border: 1px solid black; padding: 5px;"> <p><b>Nota 2</b> Countries with a frequency of 315 MHz: USA, Canada, Mexico, Puerto Rico, Brazil, Argentina, Venezuela, Lebanon, United Arab Emirates, Oman, Japan, Singapore, Australia.</p> </div>				
24	652597..	1	ASTUCCIO TELECOMANDO -Pelle-	REMOTE CASE -Leather-					
25	177148	1	SIRENA AUTOALIMENTATA -Vale dalla vett. Ass. Nr. 30988-	SIREN -Valid from car Ass. Nr. 30988-					
26	180072	1	BRIGLIA -Vale dalla vett. Ass. Nr. 30988-	CABLE -Valid from car Ass. Nr. 30988-					



Vale fino ... Vedi descrizione  
Valid till ... See description



**456MGT/GTA**

*CENTRALINE ANTIFURTO E DISPOSITIVI*  
*ANTI-THEFT ELECTRICAL BOARDS AND DEVICES*

**TAV. 133**

DATA: OTTOBRE '98



Rif	Dis.N° Part.N°	Q.ty	Denominazione	Description
<b>Nota 3</b> Elenco targhette omologative per telecomando: Germania/Lussemburgo/Austria Dis. N° 171281 Belgio Dis. N° 171282 Danimarca Dis. N° 171283 Francia Dis. N° 171284 Gran Bretagna/Irlanda Dis. N° 171285 Svezia Dis. N° 171286 Svizzera Dis. N° 171287 Olanda Dis. N° 171564 Spagna/Portogallo Dis. N° 171565 USA/Canada Dis. N° 171566 Per i paesi <u>non</u> citati nel presente elenco <u>non è prevista</u> la targhetta omologativa per il telecomando.		<b>Note 3</b> List of homologation plates for the remote control: Germany/Luxembourg/Austria Part N° 171281 Belgium Part N° 171282 Denmark Part N° 171283 France Part N° 171284 United Kingdom/Ireland Part N° 171285 Sweden Part N° 171286 Switzerland Part N° 171287 Netherlands Part N° 171564 Spain/Portugal Part N° 171565 USA/Canada Part N° 171566 For the countries <u>not</u> mentioned in the above list, a homologation plate for the remote control is <u>not anticipated</u> .		

Rif	Dis.N° Part.N°	Q.ty	Denominazione	Description
PER I CODICI DEI PARTICOLARI RIVESTITI IN PELLE E PER LE SERIE COMPLETE DEI TAPPETI MOQUETTE VEDI TAVOLA APPOSITA.				SEE RELEVANT TABLE FOR CODES OF PARTS COVERED IN LEATHER AND FOR THE COMPLETE SERIES OF MOQUETTE CARPETS.