

LIST OF TABLES

Table 1	- Crankcase	Table 33	- Brake hydraulic system
Table 2	- Driving shaft - Connecting rods and pistons	Table 34	- Hydraulic system for abs
Table 3	- R.H. Cylinder head	Table 35	- Brake system
Table 4	- L.H. Cylinder head	Table 36	- Calipers for front and rear brakes
Table 5	- Timing - Tappets and shields	Table 37	- Hand-brake control
Table 6	- Timing - Controls	Table 38	- Hydraulic steering box and linkage -Valid for steering box with power steering cars-
Table 7	- Injection device - Ignition	Table 39	- Mechanical steering box and linkage -Valid for mechanical steering box cars-
Table 8	- Air injection device	Table 40	- Steering column
Table 9	- Fuel pump and pipes -Valid for cars with double fuel pump-	Table 41	- Hydraulic steering pump and tank -Valid for steering box with power steering cars-
Table 9/A	- Fuel pump and pipes -Valid for cars with single fuel pump-	Table 42	- Front suspension - Shock absorber and brake disc
Table 10	- Fuel tank	Table 43	- Front suspension - Wishbones
Table 11	- Antieaporation device	Table 44	- Rear suspension - Shock absorber and brake disc
Table 12	- Air boxes	Table 45	- Rear suspension - Wishbones
Table 13	- Air intake	Table 46	- Wheels
Table 14	- Throttle holders and controls	Table 47	- Current generator - Starting motor - Battery
Table 15	- Accelerator pedal	Table 48	- Air conditioning compressor
Table 16	- Exhaust system	Table 49	- Tools equipment
Table 17	- Lubrication system	Table 50	- Spare wheel and equipment - Optional-
Table 18	- Blow-by system		
Table 19	- Pumps and oil sump		
Table 20	- Cooling system - Nourice		
Table 21	- Cooling system radiators		
Table 22	- Water pump and oil/water heat exchanger		
Table 23	- Clutch and controls		
Table 24	- Clutch release control -Not for GD-		
Table 25	- Clutch release control -Valid for GD-		
Table 26	- Gearbox - Differential housing and intermediate casing		
Table 27	- Gearbox covers and lubrication		
Table 28	- Main shaft gears		
Table 29	- Lay shaft gears		
Table 30	- Inside gearbox controls		
Table 31	- Outside gearbox controls		
Table 32	- Differential and axle shafts		

LIST OF TABLES

Table 100	- Body - General units	Table 133	- Dashboard -Valid for AIR-BAG cars-
Table 101	- Body - Units	Table 134	- Air-bag
Table 102	- Front part structures	Table 135	- Instruments
Table 103	- Central part structures	Table 136	- Front and rear lights
Table 104	- Frame - Rear part elements	Table 137	- Lights lifting device and headlights
Table 105	- Roof - Outer trims	Table 138	- Windshield wiper and controls
Table 106	- Body - Outer trims	Table 139	- Glass washer and horns
Table 107	- Body - Shields and wheelhouses	Table 140	- Electrical system
Table 108	- Passengers compartment insulations -Not for Spider-	Table 141	- Electrical boards - Passengers compartment
Table 109	- Passengers compartment insulations -Valid for Spider-	Table 142	- Electrical boards and devices - Front part
Table 110	- Passengers compartment carpets -Not for Spider-	Table 143	- Evaporator unit and passengers compartment aeration
Table 111	- Passengers compartment carpets -Valid for Spider-	Table 144	- Air conditioning system
Table 112	- Front compartment carpets		
Table 113	- Roof trims -Valid for BERLINETTA-		
Table 114	- Roof trims -Valid for GTS and Spider-		
Table 115	- Top -Valid for Spider-		
Table 116	- Top hydraulic control -Valid for Spider-		
Table 117	- Front hood		
Table 118	- Opening device for front hood		
Table 119	- Rear hood		
Table 120	- Opening devices for rear hood and gas door		
Table 121	- Doors - Framework and rear mirror		
Table 122	- Doors - Opening control and hinges		
Table 123	- Doors - Glass lifting device		
Table 124	- Doors - Inner trims		
Table 125	- Front bumper		
Table 126	- Rear bumper		
Table 127	- Glasses and gaskets		
Table 128	- Seats and safety belts -COMFORT-Not for Spider-		
Table 129	- Seats and safety belts -SPORT-Not for Spider-		
Table 130	- Seats and safety belts -Valid for Spider-		
Table 131	- Tunnel - Framework and accessories		
Table 132	- Dashboard -Not for AIR-BAG cars-		

ABBREVIAZIONI

BERLINETTA	- "F355 Berlinetta"
GTS	- "F355 GTS"
Spider	- "F355 Spider"
GS	- Vetture guida sinistra
GD	- Vetture guida destra
USA	- Versione USA
CDN	- Versione Canada
CH	- Versione Svizzera
GB	- Versione Regno Unito
I	- Versione Italia
D	- Versione Germania
B	- Versione Belgio
AUS	- Versione Australia
SA	- Versione Arabia Saudita
ZA	- Versione Sud Africa
J	- Versione Giappone
ORIENTE	- Versioni: Singapore, Hong Kong, Thailandia
Ass.Nr.	- Assembly Number

AVVERTENZA

Per l'ordinazione di parti rivestite o tappeti, fornibili in diversi colori, procedere come di seguito descritto:

PARTI RIVESTITE IN PELLE

Utilizzare il n° di disegno del particolare ricavato dal presente catalogo sostituendo le 2 cifre finali (..) con i rispettivi codici come riportato nell'apposita tav. "CODICI INTERNI VETTURA", nella rispettiva tabella.

TAPPETI

Utilizzare il n° di disegno del particolare ricavato dal presente catalogo sostituendo le 2 cifre finali (..) con i rispettivi codici come riportato nell'apposita tav. "CODICI INTERNI VETTURA", nella rispettiva tabella.

ABBREVIATIONS

BERLINETTA	- "F355 Berlinetta"
GTS	- "F355 GTS"
Spider	- "F355 Spider"
GS	- L.H.D.
GD	- R.H.D.
USA	- USA version
CDN	- Canadian version
CH	- Switzerland version
GB	- British version
I	- Italian version
D	- Germany version
B	- Belgium version
AUS	- Australian version
SA	- Saudi Arabia version
ZA	- South African version
J	- Japanese version
ORIENTE	- Singapore, Hong Kong, Thailandia versions
Ass.Nr.	- Assembly Number

NOTE

For orders of upholstery or carpets, available in different colors, proceed as follows:

UPHOLSTERY WITH LEATHER

Quote the number of the drawing illustrating the part in this catalogue and replace the last two figures (..) with the respective codes as shown in the appropriate "INNER TRIMS CAR CODE" Table, in the respective table.

CARPETS

Quote the number of the drawing illustrating the part in this catalogue and replace the last two figures (..) with the respective codes as shown in the appropriate "INNER TRIMS CAR CODE" Table, in the respective table.

ABBREVIATIONS

BERLINETTA	- "F355 Berlinetta"
GTS	- "F355 GTS"
Spider	- "F355 Spider"
GS	- Conduite à gauche
GD	- Conduite à droite
USA	- Version USA
CDN	- Version Canadien
CH	- Version Suisse
GB	- Version U.K.
I	- Version Italie
D	- Version Allemagne
B	- Version Belgique
AUS	- Version Australie
SA	- Version Arabie
ZA	- Version Africa du Sud
J	- Version Japon
ORIENTE	- Versions: Singapore, Hong Kong, Thailandia
Ass.Nr.	- Assembly Number

NOTE

Pour commander des pièces revêtues ou tapis, qui peuvent être fournies de couleurs différentes, procéder comme suit:

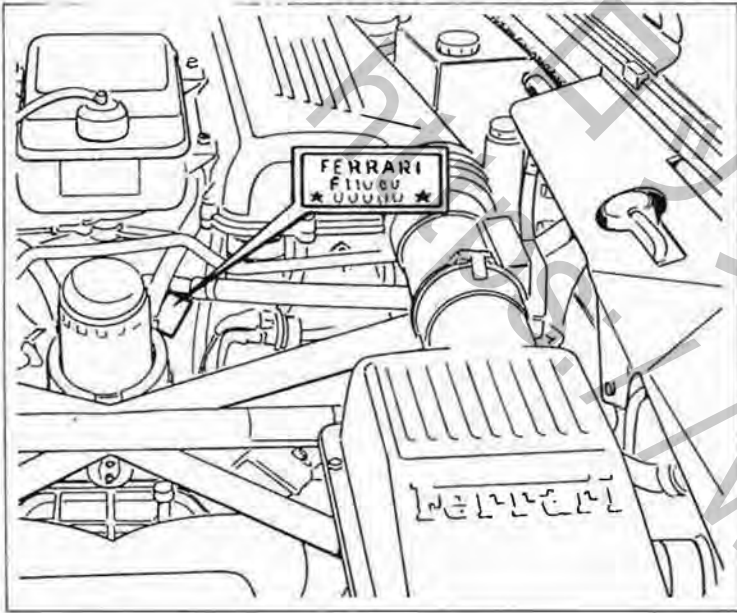
PIECES REVETUES EN CUIR OU TISSU

Utiliser le n° du dessin, qui décrit la partie intéressée dans ce catalogue, en changeant les 2 derniers chiffres (..) avec les codes respectifs qui sont indiqués sur la table "CODES INTERNES DE LA VOITURE", dans le tableau correspondant.

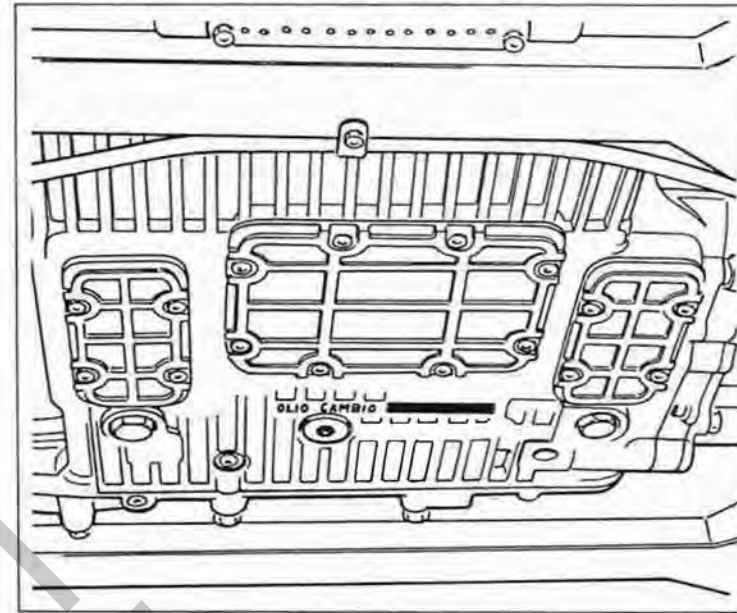
TAPIS

Utiliser le n° du dessin, qui décrit la partie intéressée dans ce catalogue, en changeant les 2 derniers chiffres (..) avec les codes respectifs qui sont indiqués sur la table "CODES INTERNES DE LA VOITURE", dans le tableau correspondant.

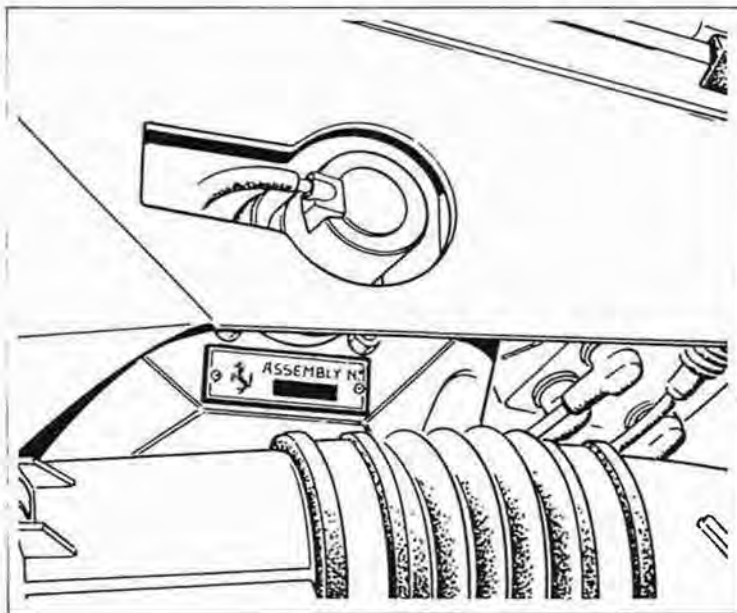
NUMERI IDENTIFICAZIONE IDENTIFICATION NUMBERS - NUMEROS D'IDENTIFICATION



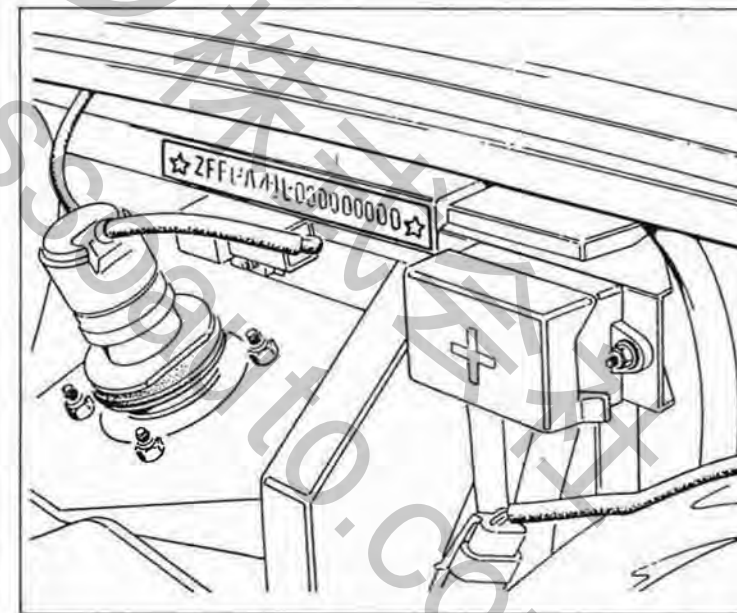
N° Motore
Engine no.
Nr. Moteur



N° Cambio
Gearbox no.
Nr. Boîte à vitesse



Assembly number



N° Matricola
Serial no.
Nr. Matricule

CODICI COLORI INTERNI VETTURA / INNER TRIMS CAR COLOUR CODES / CODES COULEURS INTERNES DE LA VOITURE

CODICI COLORI PELLE / **LEATHER COLOUR CODES** / CODES DES COULEURS DU CUIR

...00	NERO / BLACK / NOIRE	VM 8500
...01	ROSSO / RED / ROUGE	VM 3171
...02	BLU SCURO / DARK BLUE / BLEU SOMBRE	VM 3282
...04	CREMA / CREAM / CREME	VM 3997
...05	BEIGE / BEIGE / BEIGE	VM 4208
...16	GRIGIO CHIARO / LIGHT GREY / GRIS CLAIR	VM 4301
...17	GRIGIO SCURO / DARK GREY / GRIS SOMBRE	VM 4302
...19	"CHARCOAL"	VM 4304
...21	VERDE / GREEN / VERT	VM 4305
...22	CUOIO MARRONE / BROWN HIDE / CUIR MARRON	VM 4306
...23	BLU / BLUE / BLEU	VM 4307
...24	CUOIO "GINEVRA" / "GINEVRA" HIDE / CUIR "GINEVRA"	VM 4379

CODICI COLORI MOQUETTE / **CARPET COLOUR CODES** / CODES DES COULEURS MOQUETTE

...90	NERO / BLACK / NOIRE
...91	ROSSO / RED / ROUGE
...93	TESTA DI MORO / DARK BROWN / MARRON FONCE
...94	BLU / BLUE / BLEU
...96	CASTORO / BEAVER / CASTOR

CODICI COLORI STOFFA / CLOTH COLOUR CODES / CODES DES COULEURS TISSUS

...01	ROSSO / RED / ROUGE
...02	BLU / BLUE / BLEU
...03	GRIGIO / GREY / GRIS
...05	BEIGE / BEIGE / BEIGE
...06	MARRONE / BROWN / MARRON

SERIE COMPLETE TAPPETI INTERNO VETTURA
INNER COMPARTMENT CARPETS COMPLETE SERIES
SERIE COMPLETE DE TAPIS POUR L'INTERIEUR DE LA VOITURE

"F 355 Berlinetta"

GS		GD	
1000768	CASTORO / BEAVER / CASTOR	1000791	CASTORO / BEAVER / CASTOR
1000769	NERO / BLACK / NOIRE	1000792	NERO / BLACK / NOIRE
1000770	ROSSO / RED / ROUGE	1000793	ROSSO / RED / ROUGE
1000771	BLU SCURO / DARK BLUE / BLEU SOMBRE	1000794	BLU SCURO / DARK BLUE / BLEU SOMBRE
1000772	TESTA DI MORO / DARK BROWN / MARRON FONCE	1000795	TESTA DI MORO / DARK BROWN / MARRON FONCE

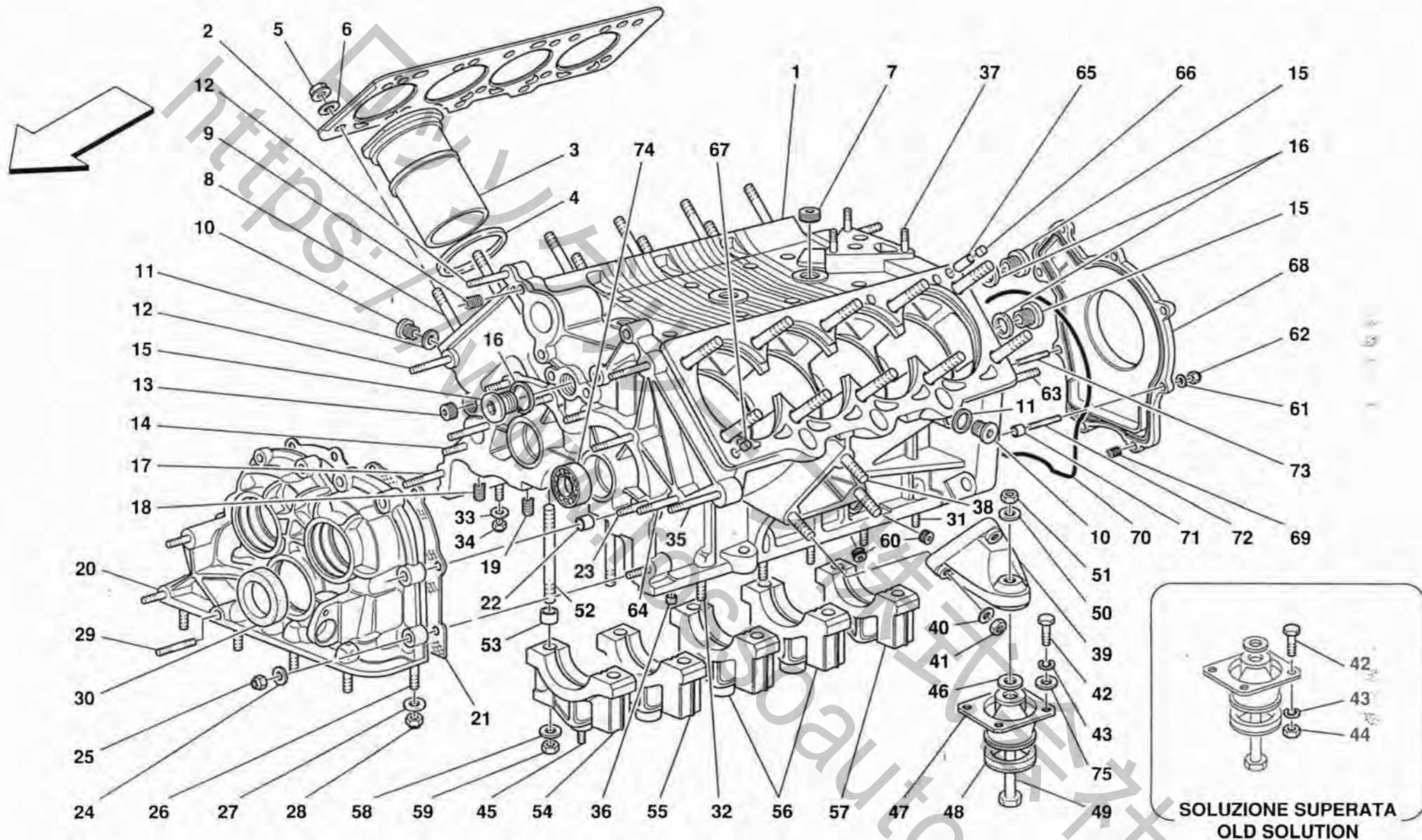
"F 355 GTS"

GS		GD	
1000778	CASTORO / BEAVER / CASTOR	1000800	CASTORO / BEAVER / CASTOR
1000779	NERO / BLACK / NOIRE	1000801	NERO / BLACK / NOIRE
1000780	ROSSO / RED / ROUGE	1000802	ROSSO / RED / ROUGE
1000781	BLU SCURO / DARK BLUE / BLEU SOMBRE	1000803	BLU SCURO / DARK BLUE / BLEU SOMBRE
1000782	TESTA DI MORO / DARK BROWN / MARRON FONCE	1000804	TESTA DI MORO / DARK BROWN / MARRON FONCE

"F 355 SPIDER"

GS		GD	
70000857	CASTORO / BEAVER / CASTOR	70000862	CASTORO / BEAVER / CASTOR
70000858	NERO / BLACK / NOIRE	70000863	NERO / BLACK / NOIRE
70000859	ROSSO / RED / ROUGE	70000864	ROSSO / RED / ROUGE
70000860	BLU SCURO / DARK BLUE / BLEU SOMBRE	70000865	BLU SCURO / DARK BLUE / BLEU SOMBRE
70000861	TESTA DI MORO / DARK BROWN / MARRON FONCE	70000866	TESTA DI MORO / DARK BROWN / MARRON FONCE

SERIE COMPLETE TAPPETI INTERNO VETTURA
INNER COMPARTMENT CARPETS COMPLETE SERIES
SERIE COMPLETE DE TAPIS POUR L'INTERIEUR DE LA VOITURE



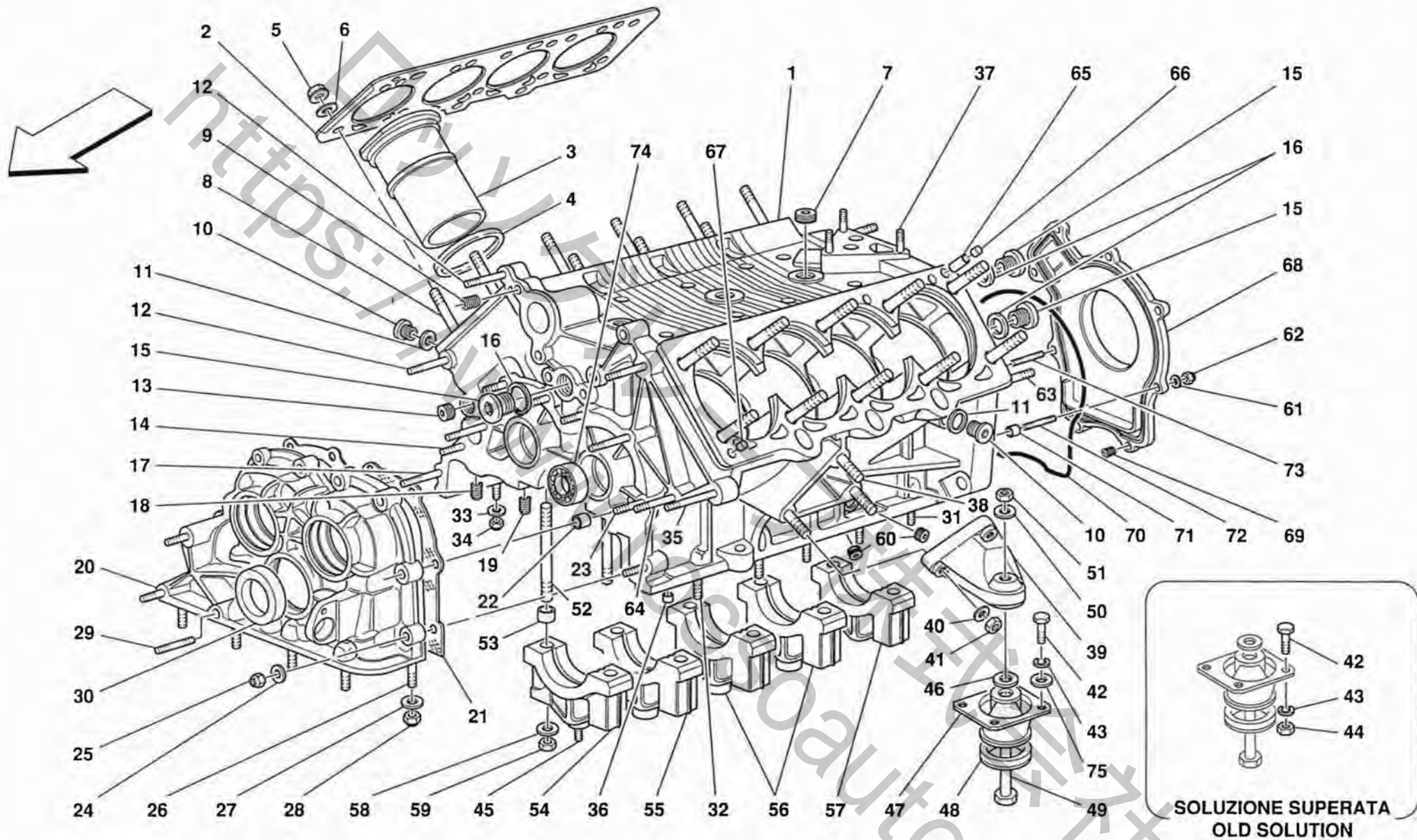
F355

**BASAMENTO
CRANKCASE**

**TAV. 1
DATA: GIUGNO '95**

Rif	Dis. iv Part. N°	Q.ty	Denominazione	Description
-	164025	1	BASAMENTO COMPLETO	COMPLETE CRANKCASE
1	153912	1	BASAMENTO -Non a ricambio- -Con il basamento completo-	CRANKCASE -Not as spare part- -With the complete crankcase-
2	150311	2	GUARNIZIONE	GASKET
3	136875	8	CANNA CILINDRO	CYLINDER LINER
4	136258	8	GUARNIZIONE	GASKET
5	148093	20	DADO	NUT
6	151117	20	ROSETTA	WASHER
7	14325540	3	TAPPO FILETTATO	THREADED PLUG
8	148311	20	PRIGIONIERO	STUD
9	13525870	4	INSERTO FILETTATO	THREADED INSERT
10	150731	2	TAPPO SCARICO ACQUA	WATER OUTLET PLUG
11	10280060	2	GUARNIZIONE	GASKET
12	13544024	2	PRIGIONIERO	STUD
13	14325140	1	TAPPO FILETTATO	THREADED PLUG
14	13543424	5	PRIGIONIERO	STUD
15	10275011	3	TAPPO FILETTATO	THREADED PLUG
16	10263460	3	GUARNIZIONE	GASKET
17	13544024	1	PRIGIONIERO	STUD
18	13525870	3	INSERTO FILETTATO	THREADED INSERT
19	13525770	1	INSERTO FILETTATO	THREADED INSERT
20	154113	1	COPERCHIO ANTERIORE -Non a ricambio- -Con il basamento completo-	FRONT COVER -Not as spare part- -With the complete crankcase-
21	153921	1	GUARNIZIONE	GASKET
22	100041	2	GRANO	DOWEL
23	13543624	1	PRIGIONIERO	STUD
24	12601374	9	ROSETTA	WASHER
25	101139	9	DADO	NUT
26	13543524	6	PRIGIONIERO	STUD
27	12604479	6	ROSETTA	WASHER
28	101139	6	DADO	NUT
29	13517224	3	PRIGIONIERO	STUD
30	133628	1	GUARNIZIONE	GASKET
31	13543324	11	PRIGIONIERO	STUD
32	13543524	1	PRIGIONIERO	STUD
33	12604479	12	ROSETTA	WASHER
34	101139	12	DADO	NUT
35	13544324	1	PRIGIONIERO	STUD
36	102725	2	GRANO	DOWEL

Rif	Dis. N° Part. N°	Q.ty	Denominazione	Description
37	13543524	3	PRIGIONIERO	STUD
38	13546624	6	PRIGIONIERO	STUD
39	159955	2	ZAMPA FISSAGGIO MOTORE	ENGINE FIXING SUPPORT
40	11190574	6	ROSETTA	WASHER
41	15501121	6	DADO	NUT
42	15970634	8	VITE	SCREW
43	127497	8	ROSETTA	WASHER
44	133988	8	DADO	NUT
45	13516624	4	PRIGIONIERO	STUD
46	162373	2	PIATTELLO SUPERIORE	UPPER SPACER
47	162769	2	CORPO TAMPONE	WICK BODY
48	162375	2	PIATTELLO INFERIORE	LOWER SPACER
49	162531	2	VITE	SCREW
50	12601779	2	ROSETTA	WASHER
51	158307	2	DADO	NUT
52	104075	10	PRIGIONIERO	STUD
53	125317	10	GRANO	DOWEL
54	152158	1	CAPPELLO ANT. -Non a ricambio- -Con il basamento completo-	FRONT HAT -Not as spare part- -With the complete crankcase-
55	152159	1	CAPPELLO INTERMEDIO ANT. -Non a ricambio- -Con il basamento completo-	FRONT INTERMEDIATE HAT -Not as spare part- -With the complete crankcase-
56	152098	2	CAPPELLO INTERMEDIO CENTR. E POST. -Non a ricambio- -Con il basamento completo-	INTERMEDIATE CENTRAL AND REAR HAT -Not as spare part- -With the complete crankcase-
57	152099	1	CAPPELLO POST. -Non a ricambio- -Con il basamento completo-	REAR HAT -Not as spare part- -With the complete crankcase-
58	103842	10	ROSETTA	WASHER
59	103841	10	DADO	NUT
60	164400	2	TAPPO FILETTATO	THREADED PLUG
61	12620479	8	ROSETTA	WASHER
62	15896211	8	DADO	NUT
63	13547135	4	PRIGIONIERO	STUD
64	13544024	2	PRIGIONIERO	STUD
65	156862	2	VALVOLA NON RITORNO	NONRETURN VALVE
66	156865	2	GRANO (ANT. DX.-POST. SX.)	DOWEL (R.H. FRONT-L.H. REAR)
67	156864	2	GRANO (ANT. SX.-POST. DX.)	DOWEL (L.H. FRONT-R.H. REAR)



F355

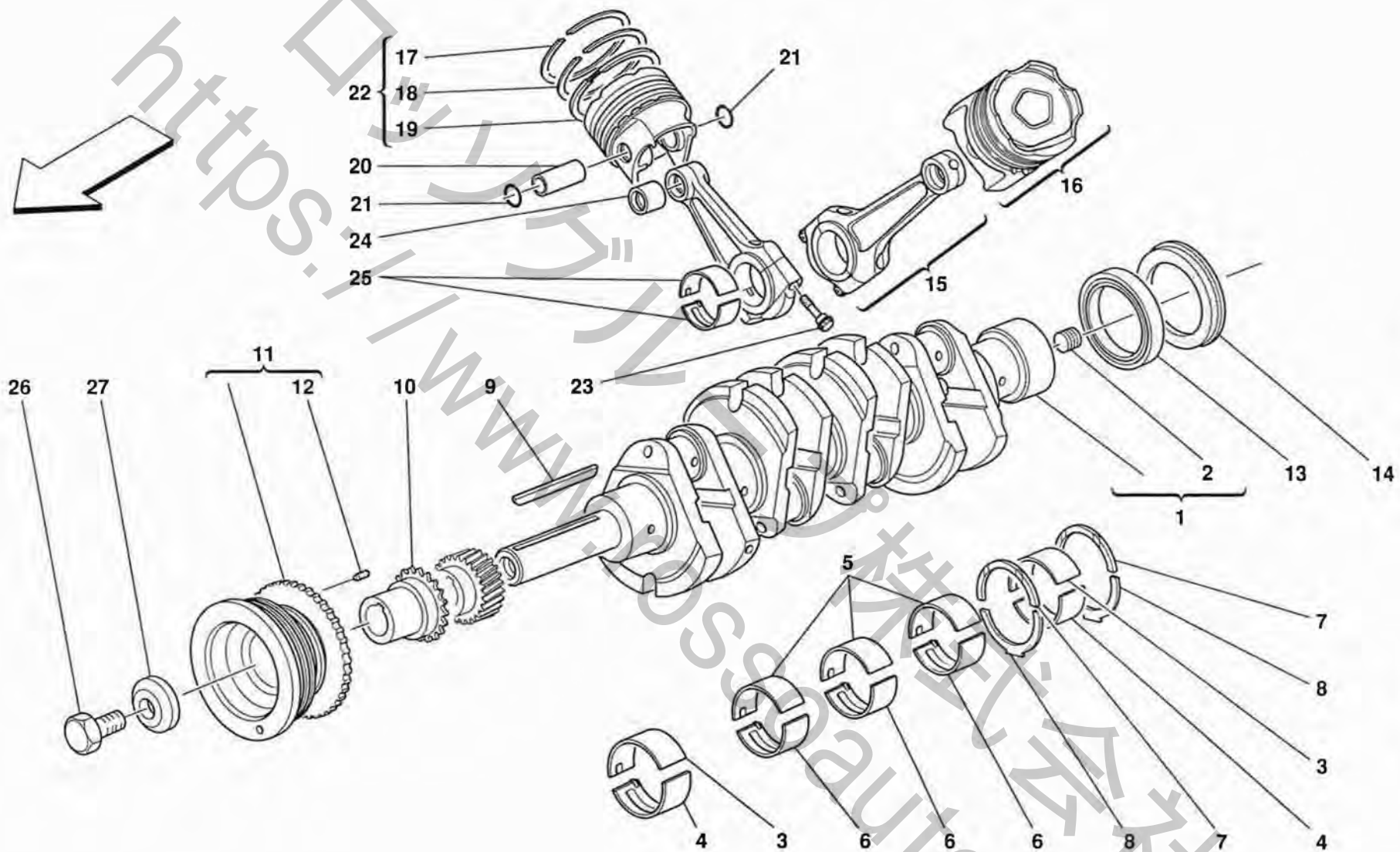
**BASAMENTO
CRANKCASE**

TAV. 1

DATA: GIUGNO '95

<i>Rif</i>	<i>Dis. n° Part. N°</i>	<i>Q. ty</i>	<i>Denominazione</i>	<i>Description</i>
68	142471	1	COPERCHIO POSTERIORE	REAR COVER
69	13525570	2	INSERTO FILETTATO	THREADED INSERT
70	142472	1	GUARNIZIONE O.R.	O.R. GASKET
71	103038	2	GRANO	DOWEL

<i>Rif</i>	<i>Dis. N° Part. N°</i>	<i>Q. ty</i>	<i>Denominazione</i>	<i>Description</i>
72	13541124	2	PRIGIONIERO	STUD
73	13540824	4	PRIGIONIERO	STUD
74	144713	2	CUSCINETTO	BEARING
75	14496601	8	ROSETTA	WASHER



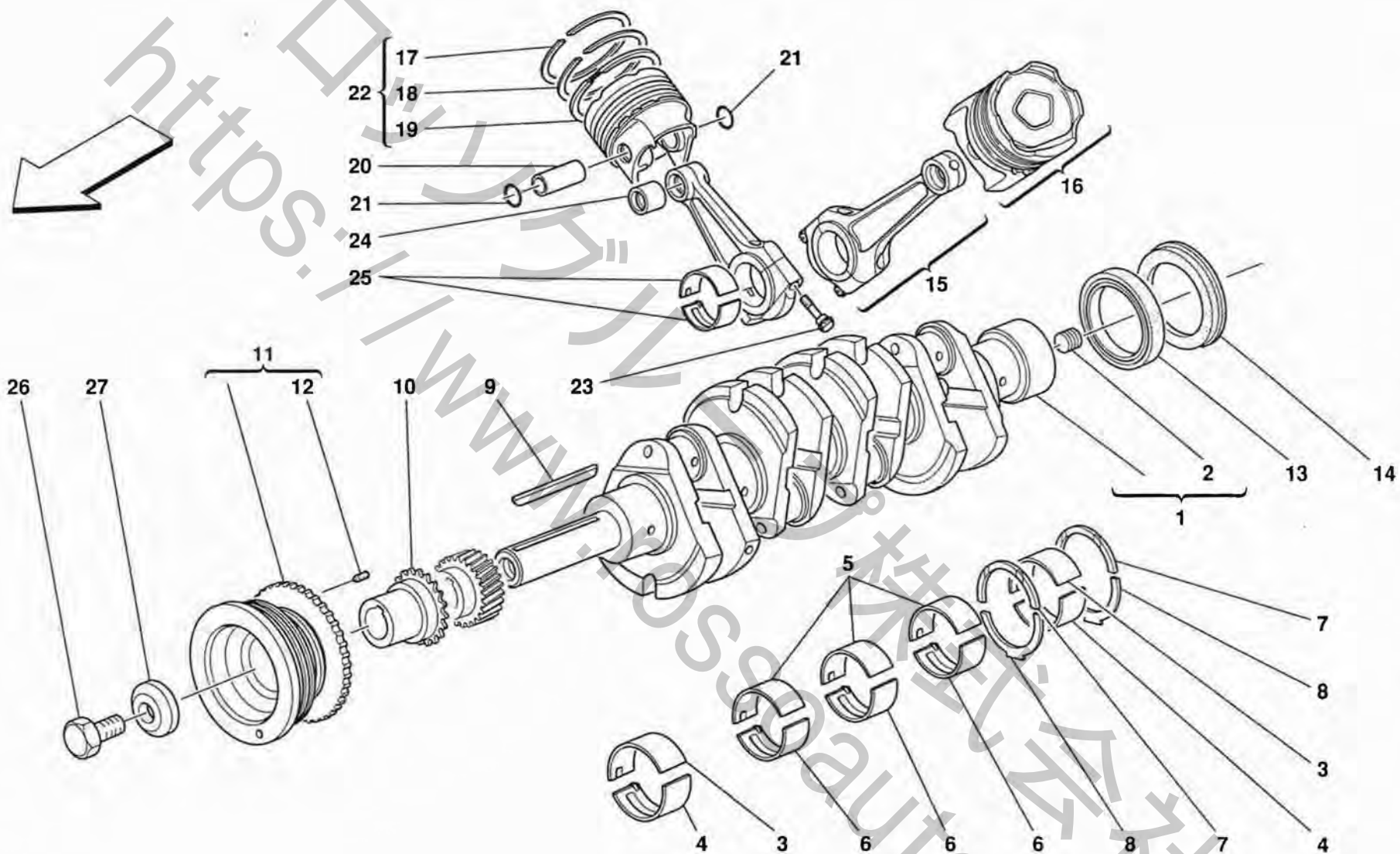
F355

ALBERO MOTORE - BIELLE E PISTONI
 DRIVING SHAFT - CONNECTING RODS AND PISTONS

TAV. 2
 DATA: GIUGNO '95

Rif	Dis.N° Part.N°	Q.ty	Denominazione	Description
1	155119	1	ALBERO MOTORE -Vale fino al motore No. 37209- -Non piu' a ricambio- -Sostituito dal 164076-	CRANKSHAFT -Valid till engine Nr. 37209- -Not as spare part now- -Replaced by 164076-
-	164076	1	ALBERO MOTORE -Vale dal motore No. 37210-	CRANKSHAFT -Valid from engine Nr. 37210-
2	10268450	1	TAPPO FILETTATO	THREADED PLUG
-	1000705	1	SERIE COMPLETA SEMICUSCINETTI -NOMINALE- -Vale per albero motore 155119-	HALF-BEARINGS COMPLETE SERIES -STANDARD SIZE- -Valid for crankshaft 155119-
-	1000817	1	SERIE COMPLETA SEMICUSCINETTI -NOMINALE- -Vale per albero motore 164076-	HALF-BEARINGS COMPLETE SERIES -STANDARD SIZE- -Valid for crankshaft 164076-
-	164030	1	SERIE COMPLETA SEMICUSCINETTI -1a MINORAZ. mm. 0,254-	HALF-BEARINGS COMPLETE SERIES -1st UNDERSIZE mm. 0,254-
-	164031	1	SERIE COMPLETA SEMICUSCINETTI -2a MINORAZ. mm. 0,508-	HALF-BEARINGS COMPLETE SERIES -2nd UNDERSIZE mm. 0,508-
3	146890	2	SEMICUSCINETTO SUPERIORE -Non a ricambio- -Con la serie completa semicuscinetti- -Vale per albero motore 155119-	UPPER HALF BEARING -Not as spare part- -With the half-bearings complete series- -Valid for crankshaft 155119-
-	164084	2	SEMICUSCINETTO SUPERIORE -Non a ricambio- -Con la serie completa semicuscinetti- -Vale per albero motore 164076-	UPPER HALF BEARING -Not as spare part- -With the half-bearings complete series- -Valid for crankshaft 164076-
-	156385	-	SEMICUSCINETTO SUPERIORE 1a MINORAZ. mm. 0,254 -Non a ricambio- -Con la serie completa semicuscinetti-	UPPER HALF BEARING 1st UNDERSIZE mm. 0,254 -Not as spare part- -With the half-bearings complete series-
-	156386	-	SEMICUSCINETTO SUPERIORE 2a MINORAZ. mm. 0,508 -Non a ricambio- -Con la serie completa semicuscinetti-	UPPER HALF BEARING 2nd UNDERSIZE mm. 0,508 -Not as spare part- -With the half-bearings complete series-
4	146891	2	SEMICUSCINETTO INFERIORE -Non a ricambio- -Con la serie completa semicuscinetti- -Vale per albero motore 155119-	LOWER HALF BEARING -Not as spare part- -With the half-bearings complete series- -Valid for crankshaft 155119-

Rif	Dis.N° Part.N°	Q.ty	Denominazione	Description
-	164086	2	SEMICUSCINETTO INFERIORE -Non a ricambio- -Con la serie completa semicuscinetti- -Vale per albero motore 164076-	LOWER HALF BEARING -Not as spare part- -With the half-bearings complete series- -Valid for crankshaft 164076-
-	156388	-	SEMICUSCINETTO INFERIORE 1a MINORAZ. mm. 0,254 -Non a ricambio- -Con la serie completa semicuscinetti-	LOWER HALF BEARING 1st UNDERSIZE mm. 0,254 -Not as spare part- -With the half-bearings complete series-
-	156389	-	SEMICUSCINETTO INFERIORE 2a MINORAZ. mm. 0,508 -Non a ricambio- -Con la serie completa semicuscinetti-	LOWER HALF BEARING 2nd UNDERSIZE mm. 0,508 -Not as spare part- -With the half-bearings complete series-
5	146892	3	SEMICUSCINETTO INTERMEDIO SUPERIORE -Non a ricambio- -Con la serie completa semicuscinetti- -Vale per albero motore 155119-	UPPER INTERMEDIATE HALF BEARING -Not as spare part- -With the half-bearings complete series- -Valid for crankshaft 155119-
-	164087	3	SEMICUSCINETTO INTERMEDIO SUPERIORE -Non a ricambio- -Con la serie completa semicuscinetti- -Vale per albero motore 164076-	UPPER INTERMEDIATE HALF BEARING -Not as spare part- -With the half-bearings complete series- -Valid for crankshaft 164076-
-	156391	-	SEMICUSCINETTO INTERMEDIO SUPERIORE 1a MINORAZ. mm. 0,254 -Non a ricambio- -Con la serie completa semicuscinetti-	UPPER INTERMEDIATE HALF BEARING 1st UNDERSIZE mm. 0,254 -Not as spare part- -With the half-bearings complete series-
-	156392	-	SEMICUSCINETTO INTERMEDIO SUPERIORE 2a MINORAZ. mm. 0,508 -Non a ricambio- -Con la serie completa semicuscinetti-	UPPER INTERMEDIATE HALF BEARING 2nd UNDERSIZE mm. 0,508 -Not as spare part- -With the half-bearings complete series-

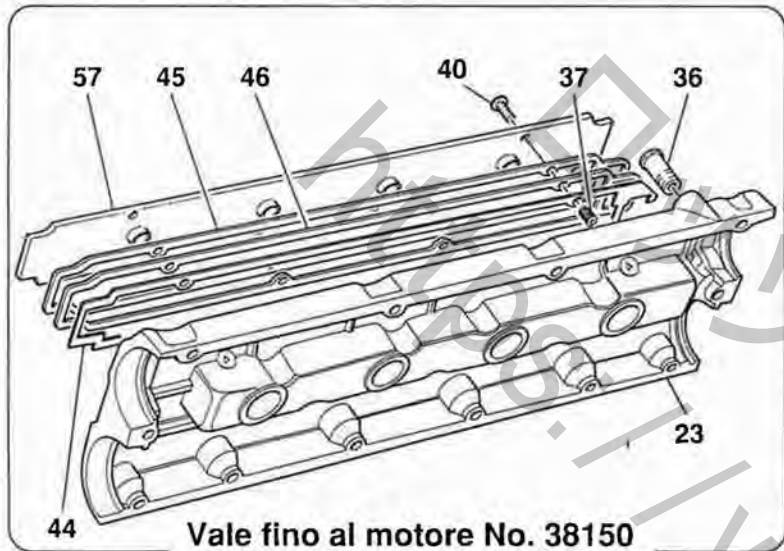


F355

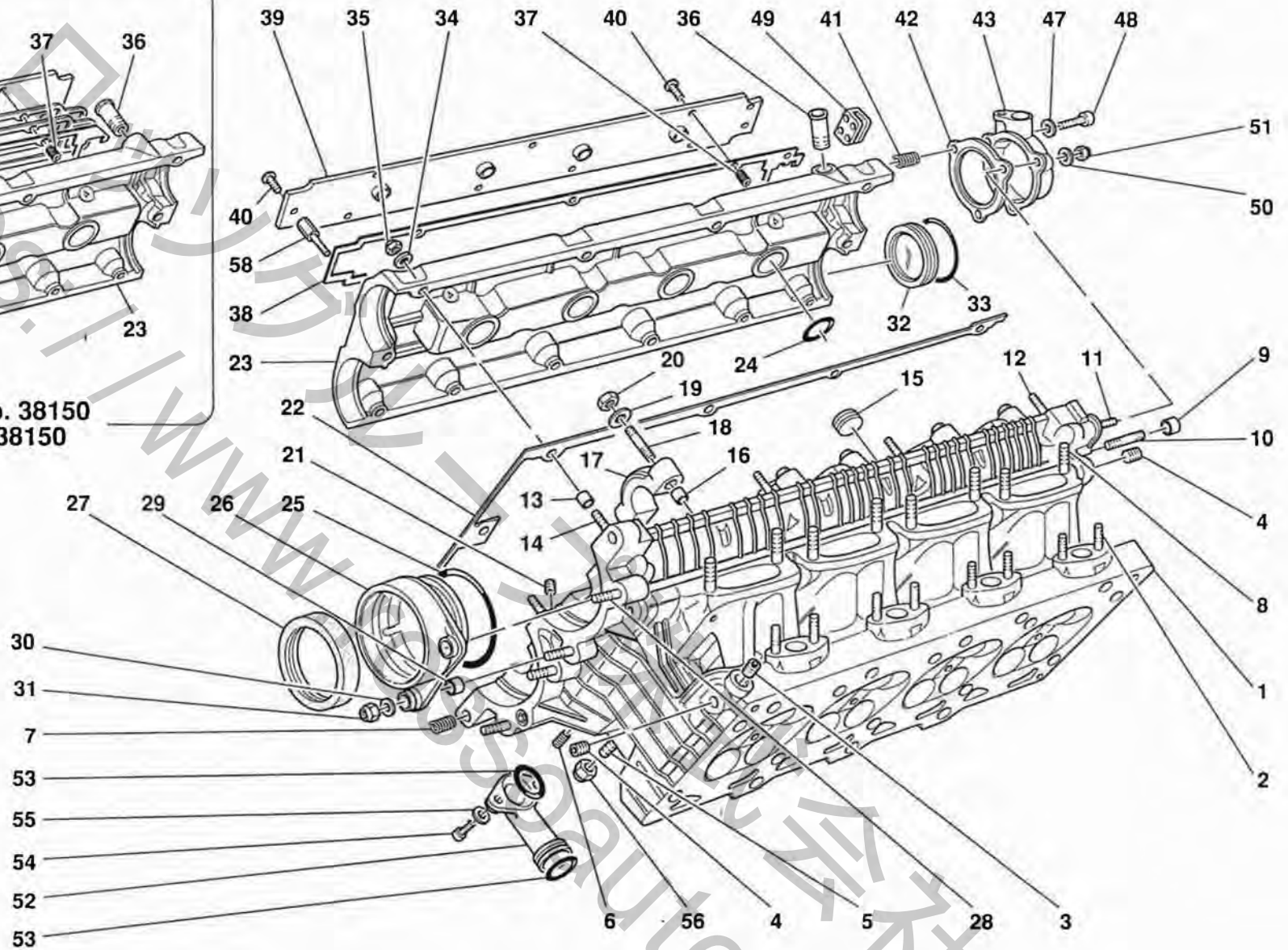
ALBERO MOTORE - BIELLE E PISTONI
 DRIVING SHAFT - CONNECTING RODS AND PISTONS

TAV. 2
 DATA: GIUGNO '95

Rif	Dis.N° Part.N°	Q.ty	Denominazione	Description	Rif	Dis.N° Part.N°	Q.ty	Denominazione	Description
6	146893	3	SEMICUSCINETTO INTERMEDIO INFERIORE -Non a ricambio- -Con la serie completa semicuscinetti- -Vale per albero motore 155119-	INTERMEDIATE LOWER HALF BEARING -Not as spare part- -With the half-bearings complete series- -Valid for crankshaft 155119-	-	148347	-	ANELLO DI RASAMENTO INFERIORE 1a MAGGIORAZ. mm. 0,127 -Non a ricambio- -Con la serie completa semicuscinetti-	LOWER SHIM 1st OVERSIZE mm. 0,127 -Not as spare part- -With the half-bearings complete series-
-	164085	3	SEMICUSCINETTO INTERMEDIO INFERIORE -Non a ricambio- -Con la serie completa semicuscinetti- -Vale per albero motore 164076-	INTERMEDIATE LOWER HALF BEARING -Not as spare part- -With the half-bearings complete series- -Valid for crankshaft 164076-	-	148346	-	ANELLO DI RASAMENTO INFERIORE 2a MAGGIORAZ. mm. 0,254 -Non a ricambio- -Con la serie completa semicuscinetti-	LOWER SHIM 2nd OVERSIZE mm. 0,254 -Not as spare part- -With the half-bearings complete series-
-	156394	-	SEMICUSCINETTO INTERMEDIO INFERIORE 1a MINORAZ. mm. 0,254 -Non a ricambio- -Con la serie completa semicuscinetti-	INTERMEDIATE LOWER HALF BEARING 1st UNDERSIZE mm. 0,254 -Not as spare part- -With the half-bearings complete series-	9	151289	1	LINGUETTA	KEY
-	156395	-	SEMICUSCINETTO INTERMEDIO INFERIORE 2a MINORAZ. mm. 0,508 -Non a ricambio- -Con la serie completa semicuscinetti-	INTERMEDIATE LOWER HALF BEARING 2nd UNDERSIZE mm. 0,508 -Not as spare part- -With the half-bearings complete series-	10	146911	1	INGRANAGGIO COMANDO POMPA OLIO	OIL PUMP CONTROL GEAR
7	146894	2	ANELLO DI RASAMENTO SUPERIORE -Non a ricambio- -Con la serie completa semicuscinetti-	UPPER SHIM -Not as spare part- -With the half-bearings complete series-	11	160827	1	RUOTA FONICA COMPLETA -Vale fino ad esaurimento-	COMPLETE TOOTHED WHEEL -Valid till stock exhaustion-
-	148355	-	ANELLO DI RASAMENTO SUPERIORE 1a MAGGIORAZ. mm. 0,127 -Non a ricambio- -Con la serie completa semicuscinetti-	UPPER SHIM 1st OVERSIZE mm. 0,127 -Not as spare part- -With the half-bearings complete series-	-	160807	1	RUOTA FONICA COMPLETA -Vale dopo esaurimento del 160827-	COMPLETE TOOTHED WHEEL -Valid after stock exhaustion of 160827-
-	148344	-	ANELLO DI RASAMENTO SUPERIORE 2a MAGGIORAZ. mm. 0,254 -Non a ricambio- -Con la serie completa semicuscinetti-	UPPER SHIM 2nd OVERSIZE mm. 0,254 -Not as spare part- -With the half-bearings complete series-	12	10841010	1	GRANO	DOWEL
8	146895	2	ANELLO DI RASAMENTO INFERIORE -Non a ricambio- -Con la serie completa semicuscinetti-	LOWER SHIM -Not as spare part- -With the half-bearings complete series-	13	148671	1	ANELLO DI TENUTA	SEAL RING
					14	148672	1	ANELLO DI TENUTA	SEAL RING
					15	155562	8	BIELLA E CAPPELLO COMPLETI	COMPLETE CONNECTING ROD AND CAP
					16	159141	8	PISTONE COMPLETO DI SEGMENTI	PISTON WITH RINGS
					17	160813	8	ANELLO DI TENUTA AC (1a gola) -Non a ricambio- -Con la serie completa segmenti-	AC SEAL RING (1st groove) -Not as spare part- -With the pistons rings set-
					18	152991	8	ANELLO DI TENUTA AC (2a gola) -Non a ricambio- -Con la serie completa segmenti-	AC SEAL RING (2nd groove) -Not as spare part- -With the pistons rings set-
					19	132773	8	ANELLO RASCHIAOLIO ROF (3a gola) -Non a ricambio- -Con la serie completa segmenti-	ROF OIL SCRAPING RING (3rd groove) -Not as spare part- -With the pistons rings set-
					20	154717	8	SPINOTTO	PIN
					21	152993	16	ANELLO ARRESTO	STOP RING
					22	164026	8	SERIE COMPLETA SEGMENTI	PISTONS RINGS SET
					23	158186	16	VITE SERRAGGIO BIELLA	CONNECTING ROD TIGHTENING SCREW
					24	155097	8	BOCCOLA	BUSHING
					25	146889	16	SEMICUSCINETTO BIELLA	CONNECTING ROD HALF BEARING



Vale fino al motore No. 38150
Valid till engine Nr. 38150

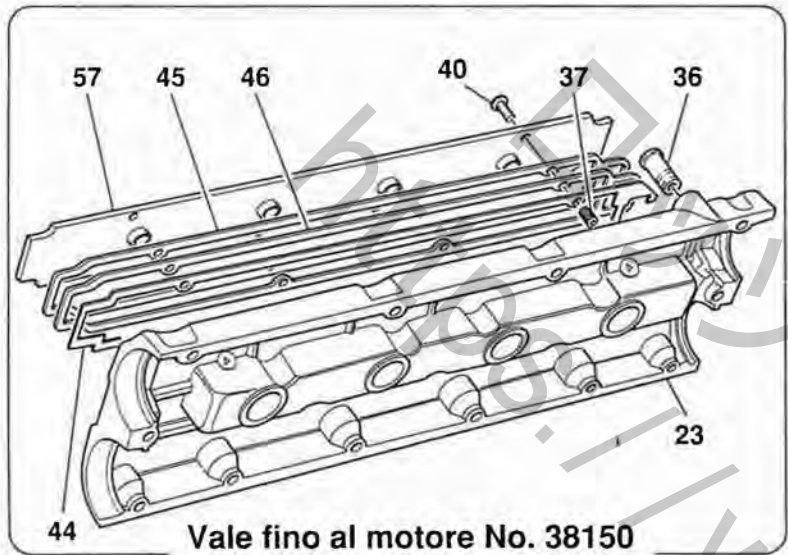


F355

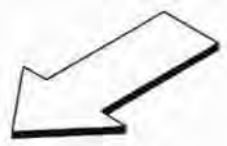
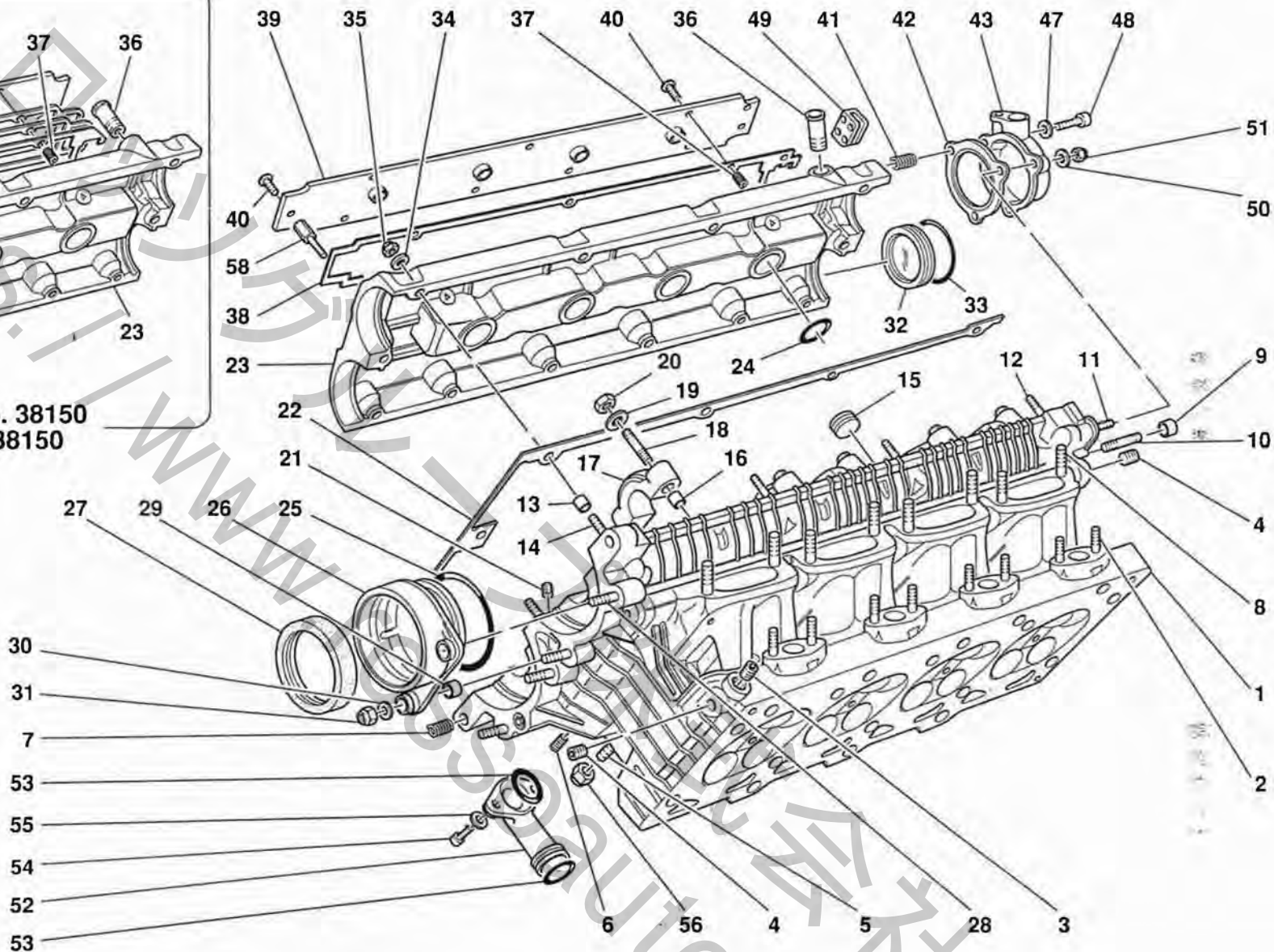
TESTA CILINDRI DESTRA
R.H. CYLINDER HEAD

TAV. 3
DATA: GIUGNO '95

<i>Rif</i>	<i>Dis.N° Part.N°</i>	<i>Q.ty</i>	<i>Denominazione</i>	<i>Description</i>	<i>Rif</i>	<i>Dis.N° Part.N°</i>	<i>Q.ty</i>	<i>Denominazione</i>	<i>Description</i>
-	148349	16	SEMICUSCINETTO BIELLA 1a MINORAZ. mm. 0,254	CONNECTING ROD HALF BEARING 1st UNDERSIZE mm. 0,254	26	138793	1	VITE	SCREW
-	148348	16	SEMICUSCINETTO BIELLA 2a MINORAZ. mm. 0,508	CONNECTING ROD HALF BEARING 2nd UNDERSIZE mm. 0,508	27	138792	1	ROSETTA	WASHER



Vale fino al motore No. 38150
Valid till engine Nr. 38150



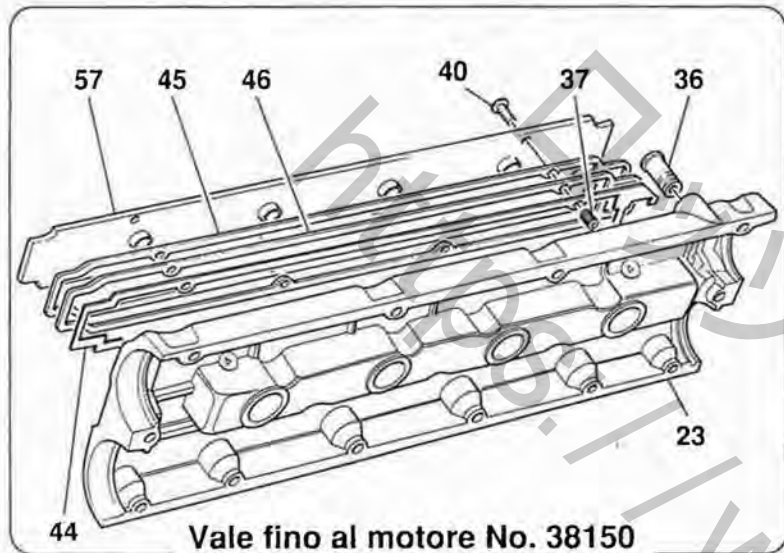
F355

TESTA CILINDRI DESTRA
R.H. CYLINDER HEAD

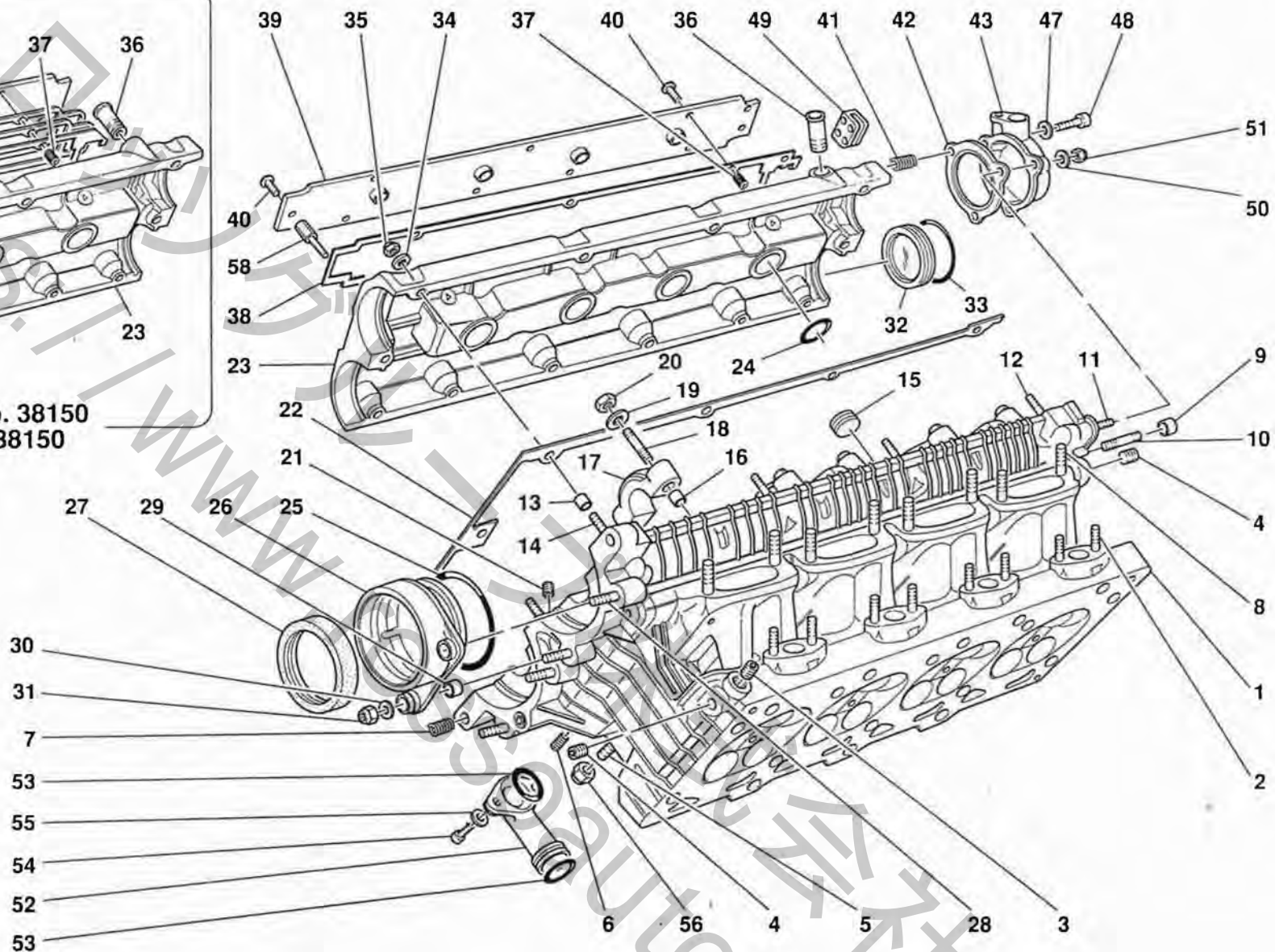
TAV. 3
DATA: GIUGNO '95

Rif	Dis.N° Part.N°	Q.ty	Denominazione	Description
-	164038	1	TESTA CILINDRI DX. COMPLETA	COMPLETE R.H. CYLINDERS HEAD
			-Vale fino al motore No. 38150-	-Valid till engine Nr. 38150-
			-Non piu' a ricambio-	-Not as spare part now-
			-Sostituita dalla 166452-	-Replaced by 166452-
-	166452	1	TESTA CILINDRI DX. COMPLETA	COMPLETE R.H. CYLINDERS HEAD
			-Vale dal motore No. 38151-	-Valid from engine Nr. 38151-
1	154014	1	TESTA DX.	R.H. HEAD
			-Vale fino al motore No. 38150-	-Valid till engine Nr. 38150-
			-Non a ricambio-	-Not as spare part-
			-Con la testa cilindri completa,	-With the complete cylinders head
			164038-	164038-
-	164882	1	TESTA DX.	R.H. HEAD
			-Vale dal motore No. 38151-	-Valid from engine Nr. 38151-
			-Non a ricambio-	-Not as spare part-
			-Con la testa cilindri completa	-With the complete cylinders head
			166452-	166452-
2	11500224	8	PRIGIONIERO	STUD
3	14326150	2	TAPPO FILETTATO	THREADED PLUG
4	14326050	4	TAPPO FILETTATO	THREADED PLUG
5	13543324	8	PRIGIONIERO	STUD
6	13525270	6	INSERTO FILETTATO	THREADED INSERT
7	13525470	2	INSERTO FILETTATO	THREADED INSERT
8	13516924	8	PRIGIONIERO	STUD
9	102725	2	GRANO	DOWEL
10	13541324	1	PRIGIONIERO	STUD
11	13541424	1	PRIGIONIERO	STUD
12	13541124	9	PRIGIONIERO	STUD
			-Fino al motore No. 38150 q.ta' 10-	-Till engine Nr. 38150 q.ty 10-
13	102725	2	GRANO	DOWEL
14	11500624	2	PRIGIONIERO	STUD
15	127635	5	TAPPO FILETTATO	THREADED PLUG
16	102725	22	GRANO	DOWEL
17	—	11	CAPPELLO	CAP
			-Non a ricambio-	-Not as spare part-
			-Con la testa cilindri completa-	-With the complete cylinders head-
18	13541424	22	PRIGIONIERO	STUD
19	11197774	22	ROSETTA	WASHER
20	15896211	22	DADO	NUT
21	141563	2	TAPPO FILETTATO	THREADED PLUG
22	149467	1	GUARNIZIONE	GASKET

Rif	Dis.N° Part.N°	Q.ty	Denominazione	Description
23	154653	1	COPERCHIO TESTA CILINDRI DX.	R.H. CYLINDERS HEAD COVER
			-Vale fino al motore No. 38150-	-Valid till engine Nr. 38150-
			-Non a ricambio-	-Not as spare part-
			-Con la testa cilindri completa	-With the complete cylinders head
			164038-	164038-
-	163623	1	COPERCHIO TESTA CILINDRI DX.	R.H. CYLINDERS HEAD COVER
			-Vale dal motore No. 38151-	-Valid from engine Nr. 38151-
			-Non a ricambio-	-Not as spare part-
			-Con la testa cilindri completa	-With the complete cylinders head
			166452-	166452-
24	149554	4	GUARNIZIONE O.R.	O.R. GASKET
25	158349	2	GUARNIZIONE O.R.	O.R. GASKET
26	158330	2	COPERCHIETTO ANT.	FRONT SMALL COVER
27	136526	2	GUARNIZIONE	GASKET
28	11500424	4	PRIGIONIERO	STUD
29	102725	4	GRANO	DOWEL
30	12601274	4	ROSETTA	WASHER
31	102741	4	DADO	NUT
32	148023	1	COPERCHIETTO POST.	REAR SMALL COVER
33	117275	1	GUARNIZIONE O.R.	O.R. GASKET
34	12604274	11	ROSETTA	WASHER
			-Fino al motore No. 38150 q.ta' 12-	-Till engine Nr. 38150 q.ty 12-
35	151230	11	DADO	NUT
			-Fino al motore No. 38150 q.ta' 12-	-Till engine Nr. 38150 q.ty 12-
36	154525	1	RACCORDO	UNION
37	13525170	9	INSERTO FILETTATO	THREADED INSERT
			-Fino al motore No. 38150 q.ta' 4-	-Till engine Nr. 38150 q.ty 4-
38	163621	1	GUARNIZIONE	GASKET
			-Vale dal motore No. 38151-	-Valid from engine Nr. 38151-
39	163607	1	COPERCHIO	COVER
			-Vale dal motore No. 38151-	-Valid from engine Nr. 38151-
40	160784	10	VITE	SCREW
			-Fino al motore No. 38150 q.ta' 4-	-Till engine Nr. 38150 q.ty 4-
41	13525470	1	INSERTO FILETTATO	THREADED INSERT
42	140787	1	GUARNIZIONE	GASKET
43	151275	1	SUPPORTO SENSORE DI FASE DX.	R.H. PHASE SENSOR SUPPORT
44	164261	1	GUARNIZIONE	GASKET
			-Vale fino al motore No. 38150-	-Valid till engine Nr. 38150-
			-Non piu' a ricambio-	-Not as spare part now-
			-Sostituita dalle 164917 e 164918-	-Replaced by 164917 and 164918-



Vale fino al motore No. 38150
Valid till engine Nr. 38150



F355

TESTA CILINDRI DESTRA
R.H. CYLINDER HEAD

TAV. 3

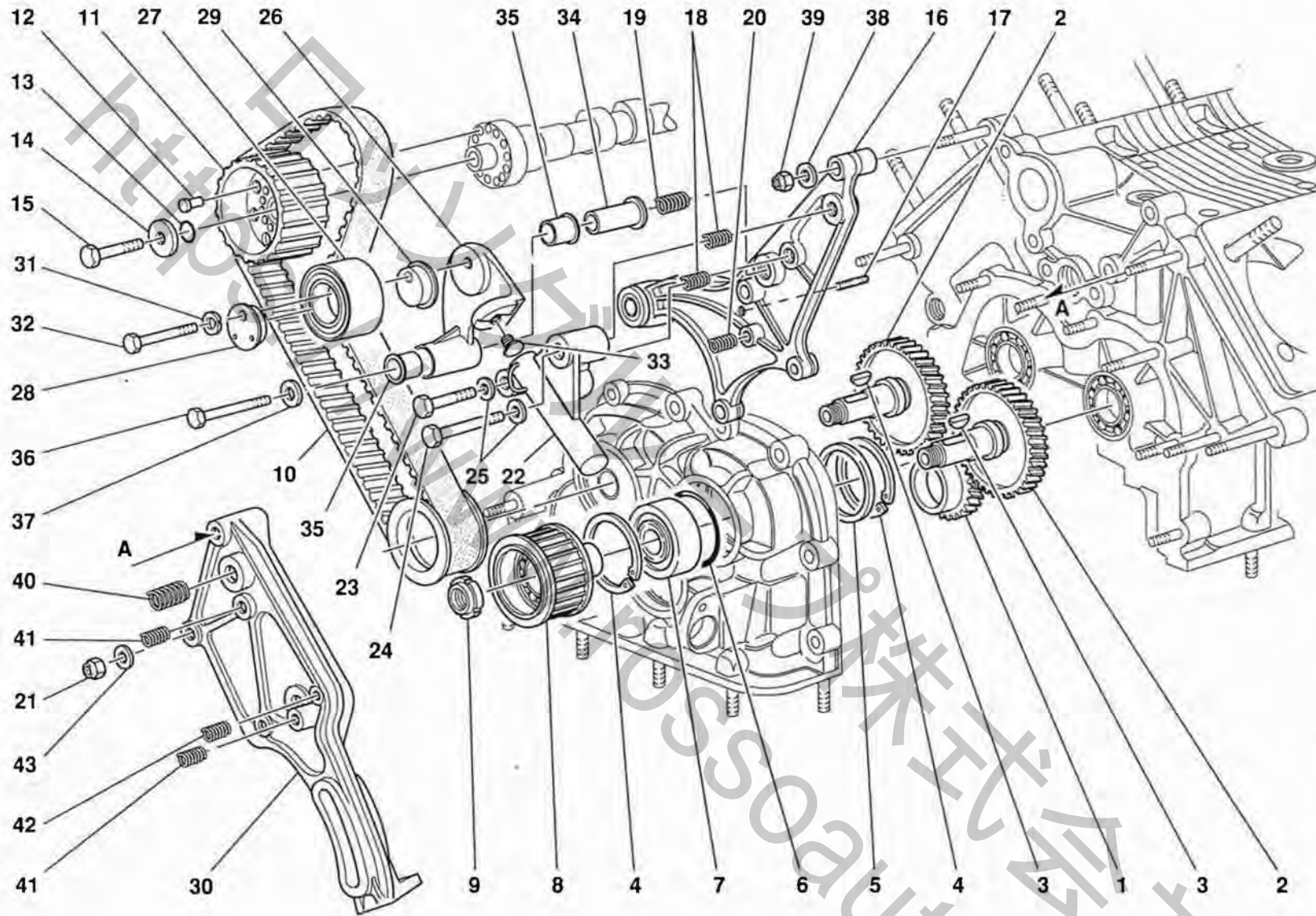
DATA: GIUGNO '95

Rif	Dis.N° Part.N°	Q.ty	Denominazione	Description	Rif	Dis.N° Part.N°	Q.ty	Denominazione	Description
45	164917	1	GUARNIZIONE SUPERIORE -Vale fino al motore No. 38150- -Sostituisce la 164261-	UPPER GASKET -Valid till engine Nr. 38150- -Replacement for 164261-	51	12575411	2	DADO	NUT
46	164918	1	GUARNIZIONE INFERIORE -Vale fino al motore No. 38150- -Sostituisce la 164261-	LOWER GASKET -Valid till engine Nr. 38150- -Replacement for 164261-	52	151485	3	CONDOTTO SCARICO OLIO	OIL EXHAUST DUCTING
47	12604274	1	ROSETTA	WASHER	53	147278	6	GUARNIZIONE O.R.	O.R. GASKET
48	14305521	1	VITE	SCREW	54	14304224	6	VITE	SCREW
49	163861	1	PASSAFILO	CABLE GROMMET	55	12601174	6	ROSETTA	WASHER
50	12601274	2	ROSETTA -Vale dal motore No. 38151-	WASHER -Valid from engine Nr. 38151-	56	138392	8	DADO	NUT
					57	155470	1	COPERCHIO	COVER
					58	163582	1	COLONNINA FISS. COPERCHI -Vale dal motore No. 38151-	COVERS FIXING PIN -Valid from engine Nr. 38151-

Rif	Dis.N° Part.N°	Q.ty	Denominazione	Description
-	164039	1	TESTA CILINDRI SX. COMPLETA -Vale fino al motore No. 38150- -Non piu' a ricambio- -Sostituita dalla 166456-	COMPLETE L.H. CYLINDERS HEAD -Valid till engine Nr. 38150- -Not as spare part now- -Replaced by 166456-
-	166456	1	TESTA CILINDRI SX. COMPLETA -Vale dal motore No. 38151-	COMPLETE L.H. CYLINDERS HEAD -Valid from engine Nr. 38151-
1	154015	1	TESTA SX. -Vale fino al motore No. 38150- -Non a ricambio- -Con la testa cilindri completa 164039-	L.H. HEAD -Valid till engine Nr. 38150- -Not as spare part- -With the complete cylinders head 164039-
*	164883	1	TESTA SX. -Vale dal motore No. 38151- -Non a ricambio- -Con la testa cilindri completa 166456-	L.H. HEAD -Valid from engine Nr. 38151- -Not as spare part- -With the complete cylinders head 166456-
2	11500224	8	PRIGIONIERO	STUD
3	14326150	2	TAPPO FILETTATO	THREADED PLUG
4	14326050	4	TAPPO FILETTATO	THREADED PLUG
5	13543324	8	PRIGIONIERO	STUD
6	13525270	6	INSERTO FILETTATO	THREADED INSERT
7	13525470	2	INSERTO FILETTATO	THREADED INSERT
8	13516924	8	PRIGIONIERO	STUD
9	102725	2	GRANO	DOWEL
10	138392	8	DADO	NUT
11	13541424	2	PRIGIONIERO -Vale fino al motore No. 38321-	STUD -Valid till engine Nr. 38321-
-	13541224	2	PRIGIONIERO -Vale dal motore No. 38322-	STUD -Valid from engine Nr. 38322-
12	13541124	8	PRIGIONIERO -Fino al motore No. 38150 q.ta' 9-	STUD -Till engine Nr. 38150 q.ty 9-
13	102725	2	GRANO	DOWEL
14	11500624	2	PRIGIONIERO	STUD
15	127635	5	TAPPO FILETTATO	THREADED PLUG
16	102725	22	GRANO	DOWEL
17	—	11	CAPPELLO -Non a ricambio- -Con la testa cilindri completa-	CAP -Not as spare part- -With the complete cylinders head-
18	13541424	22	PRIGIONIERO	STUD
19	11197774	22	ROSETTA	WASHER
20	15896211	22	DADO	NUT
21	141563	2	TAPPO FILETTATO	THREADED PLUG

Rif	Dis.N° Part.N°	Q.ty	Denominazione	Description
22	149468	1	GUARNIZIONE	GASKET
23	154654	1	COPERCHIO TESTA CILINDRI SX. -Vale fino al motore No. 38150- -Non a ricambio- -Con la testa cilindri completa 164039-	L.H. CYLINDERS HEAD COVER -Valid till engine Nr. 38150- -Not as spare part- -With the complete cylinders head 164039-
-	163624	1	COPERCHIO TESTA CILINDRI SX. -Vale dal motore No. 38151- -Non a ricambio- -Con la testa cilindri completa 166456-	L.H. CYLINDERS HEAD COVER -Valid from engine Nr. 38151- -Not as spare part- -With the complete cylinders head 166456-
24	149554	4	GUARNIZIONE O.R.	O.R. GASKET
25	158349	2	GUARNIZIONE O.R.	O.R. GASKET
26	158330	2	COPERCHIETTO ANT.	FRONT SMALL COVER
27	136526	2	GUARNIZIONE	GASKET
28	11500424	4	PRIGIONIERO	STUD
29	102725	4	GRANO	DOWEL
30	12601274	4	ROSETTA	WASHER
31	102741	4	DADO	NUT
32	148023	1	COPERCHIETTO POST.	REAR SMALL COVER
33	117275	1	GUARNIZIONE O.R.	O.R. GASKET
34	12604274	11	ROSETTA -Fino al motore No. 38150 q.ta' 12-	WASHER -Till engine Nr. 38150 q.ty 12-
35	151230	11	DADO -Fino al motore No. 38150 q.ta' 12-	NUT -Till engine Nr. 38150 q.ty 12-
36	154525	1	RACCORDO	UNION
37	13525170	9	INSERTO FILETTATO -Fino al motore No. 38150 q.ta' 4-	THREADED INSERT -Till engine Nr. 38150 q.ty 4-
38	163620	1	GUARNIZIONE -Vale dal motore No. 38151-	GASKET -Valid from engine Nr. 38151-
39	163608	1	COPERCHIO -Vale dal motore No. 38151-	COVER -Valid from engine Nr. 38151-
40	160784	10	VITE -Fino al motore No. 38150 q.ta' 4-	SCREW -Till engine Nr. 38150 q.ty 4-
41	13525470	1	INSERTO FILETTATO	THREADED INSERT
42	140787	1	GUARNIZIONE	GASKET
43	151264	1	SUPPORTO SENSORE DI FASE SX. -Vale fino al motore No. 38321-	L.H. PHASE SENSOR SUPPORT -Valid till engine Nr. 38321-
44	164260	1	GUARNIZIONE -Vale fino al motore No. 38150- -Non piu' a ricambio- -Sostituita dalle 164919 e 164920-	GASKET -Valid till engine Nr. 38150- -Not as spare part now- -Replaced by 164919 and 164920-

Tavola 4 - TESTA CILINDRI SINISTRA L.H. CYLINDER HEAD



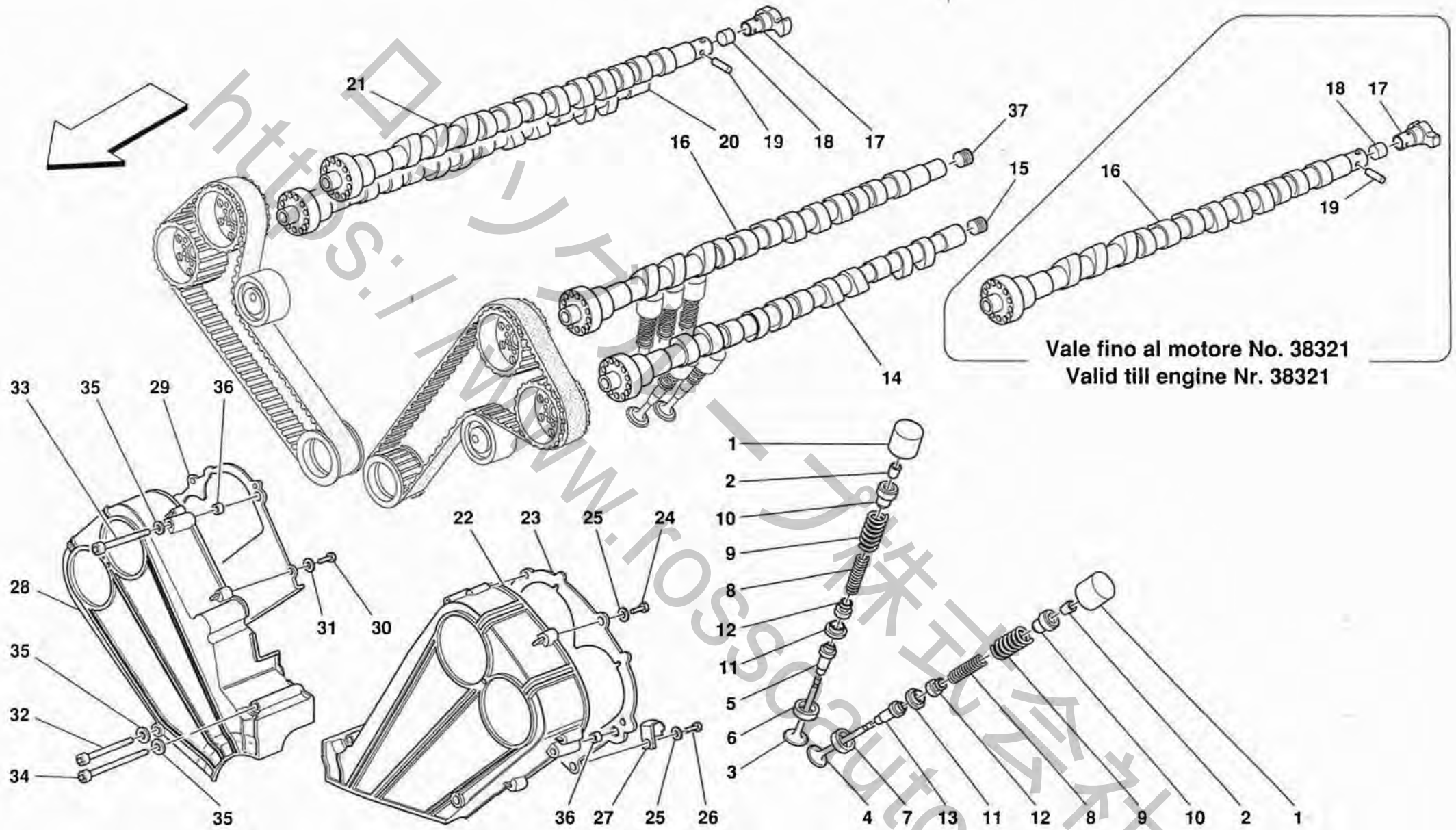
F355

DISTRIBUZIONE - COMANDI
TIMING - CONTROLS

TAV. 6

DATA: GIUGNO '95

<i>Rif</i>	<i>Dis.N° Part.N°</i>	<i>Q.ty</i>	<i>Denominazione</i>	<i>Description</i>	<i>Rif</i>	<i>Dis.N° Part.N°</i>	<i>Q.ty</i>	<i>Denominazione</i>	<i>Description</i>
45	164919	1	GUARNIZIONE SUPERIORE -Vale fino al motore No. 38150- -Sostituisce la 164260-	UPPER GASKET -Valid till engine Nr. 38150- -Replacement for 164260-	51	12575411	2	DADO	NUT
46	164920	1	GUARNIZIONE INFERIORE -Vale fino al motore No. 38150- -Sostituisce la 164260-	LOWER GASKET -Valid till engine Nr. 38150- -Replacement for 164260-	52	151485	3	CONDOTTO SCARICO OLIO	OIL EXHAUST DUCTING
47	12604274	1	ROSETTA	WASHER	53	147278	6	GUARNIZIONE O.R.	O.R. GASKET
48	14305521	1	VITE -Vale fino al motore No. 38321-	SCREW -Valid till engine Nr. 38321-	54	14304224	6	VITE	SCREW
-	14433121	1	VITE -Vale dal motore No. 38322-	SCREW -Valid from engine Nr. 38322-	55	12601174	6	ROSETTA	WASHER
49	155471	1	COPERCHIO -Vale fino al motore No. 38150-	COVER -Valid till engine Nr. 38150-	56	13541624	1	PRIGIONIERO	STUD
50	12601274	2	ROSETTA -Vale fino al motore No. 38321-	WASHER -Valid till engine Nr. 38321-	57	11501224	1	PRIGIONIERO	STUD
-	12604274	2	ROSETTA -Vale dal motore No. 38322-	WASHER -Valid from engine Nr. 38322-	58	164936	1	STAFFA -Vale dal motore No. 38322-	BRACKET -Valid from engine Nr. 38322-
					59	163582	1	COLONNINA FISS. COPERCHI -Vale dal motore No. 38151-	COVERS FIXING PIN -Valid from engine Nr. 38151-
					60	163861	1	PASSAFILO -Vale dal motore No. 38151-	CABLE GROMMET -Valid from engine Nr. 38151-
					61	160732	1	COPERCHIETTO POSTERIORE -Vale dal motore No. 38322-	REAR SMALL COVER -Valid from engine Nr. 38322-

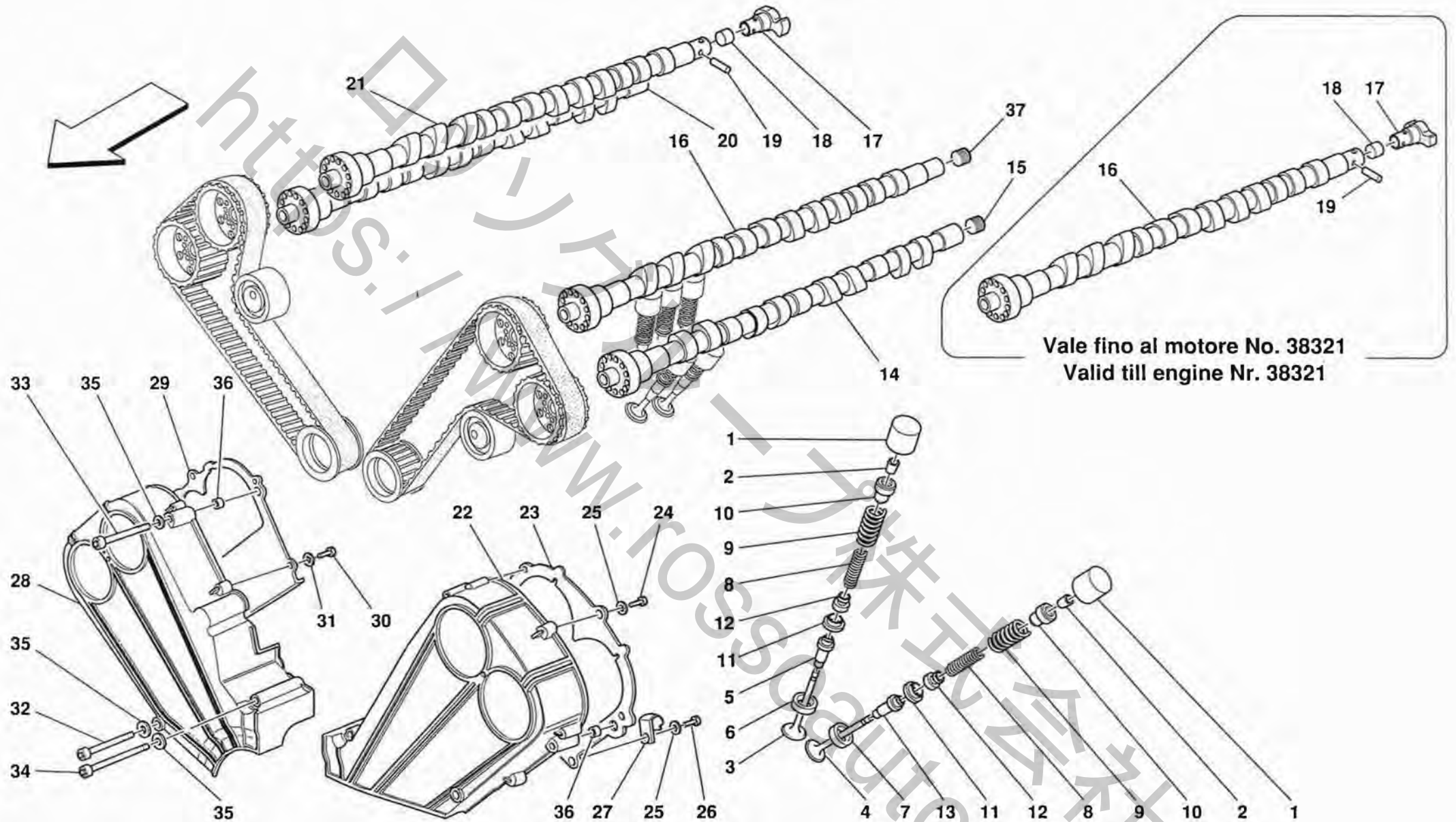


F355

DISTRIBUZIONE - PUNTERIE E CARTER
TIMING - TAPPETS AND SHIELDS

TAV. 5
DATA: GIUGNO '95

Rif	Dis.N° Part.N°	Q.ty	Denominazione	Description	Rif	Dis.N° Part.N°	Q.ty	Denominazione	Description
1	149750	40	PUNTERIA COMANDO VALVOLA	TAPPET FOR VALVE CONTROL	18	10158501	1	TAPPO AD ESPANSIONE	PLUG
2	157986	80	SEMICONO PER SCODELLINO	COTTER FOR VALVE SPRING				-Fino al motore No. 38321 q.ta' 2-	-Till engine Nr. 38321 q.ty 2-
			MOLLA VALVOLA	CUP	19	149859	2	SPINA CILINDRICA	DOWEL BOLT
3	160921	24	VALVOLA DI ASPIRAZIONE	INTAKE VALVE				-Fino al motore No. 38321 q.ta' 4-	-Till engine Nr. 38321 q.ty 4-
4	157988	16	VALVOLA DI SCARICO	EXHAUST VALVE	20	149376	1	ALBERO DISTRIBUZIONE	COMPLETE R.H. EXHAUST
5	149900	24	GUIDA VALVOLA ASPIRAZIONE	INTAKE VALVE GUIDE				SCARICO DX. COMPL.	CAM SHAFT
-	149901	24	GUIDA VALVOLA ASPIRAZIONE	INTAKE VALVE GUIDE	21	158035	1	ALBERO DISTRIBUZIONE	COMPLETE R.H. INDUCTION
			-MAGGIORATA-	-OVERSIZED-				ASPIRAZIONE DX. COMPL.	DISTRIBUTION SHAFT
6	148234	24	SEDE PER VALVOLA DI	INTAKE VALVE	-	163808	1	ALBERO DISTRIBUZIONE	COMPLETE R.H. INDUCTION
			ASPIRAZIONE	SEAT				ASPIRAZIONE DX. COMPL.	DISTRIBUTION SHAFT
7	140702	16	SEDE PER VALVOLA DI SCARICO	EXHAUST VALVE SEAT				-Vale dal motore No. 38322-	-Valid from engine Nr. 38322-
8	149889	40	MOLLA INTERNA RICHIAMO	INNER SPRING FOR VALVE				-Vale fino ad esaurimento-	-Valid till stock exhaustion-
			VALVOLA	RETURN	-	166661	1	ALBERO DISTRIBUZIONE	COMPLETE R.H. INDUCTION
9	149888	40	MOLLA ESTERNA RICHIAMO	OUTER SPRING FOR VALVE				ASPIRAZIONE DX. COMPL.	DISTRIBUTION SHAFT
			VALVOLA	RETURN				-Vale dopo esaurimento del	-Valid after stock exhaustion of
10	157989	40	SCODELLINO SUPERIORE	UPPER CUP				163808-	163808-
11	149903	40	SCODELLINO INFERIORE	LOWER CUP	22	158007	1	CARTER SX.	L.H. GUARD
12	148153	40	PARAOILIO PER GUIDA	OIL RING FOR VALVE				-Vale per Protezione Sx. 3 fori	-Valid for 3 fixing points
			VALVOLE	GUIDE				di fissaggio-	L.H. Protection-
13	148190	16	GUIDA VALVOLA DI SCARICO	EXHAUST VALVE GUIDE				-Vale fino ad esaurimento-	-Valid till stock exhaustion-
-	148191	16	GUIDA VALVOLA DI SCARICO	EXHAUST VALVE GUIDE				-Sostituire con il 163876 + il	-Replace with 163876 +
			-MAGGIORATA-	-OVERSIZED-				163848-	163848-
14	149093	1	ALBERO DISTRIBUZIONE	COMPLETE L.H. EXHAUST	-	163876	1	CARTER SX.	L.H. GUARD
			SCARICO SX. COMPL.	CAM SHAFT				-Vale per Protezione Sx. 5 fori	-Valid for 5 fixing points
15	10269550	2	TAPPO FILETTATO	THREADED PLUG				di fissaggio-	L.H. Protection-
16	158034	1	ALBERO DISTRIBUZIONE	COMPLETE L.H. INDUCTION	23	158055	1	PROTEZIONE SX.	L.H. PROTECTION
			ASPIRAZIONE SX. COMPL.	DISTRIBUTION SHAFT				-Vale per Carter Sx. 158007-	-Valid for L.H. Guard 158007-
			-Vale fino al motore No. 38321-	-Valid till engine Nr. 38321-	-	163848	1	PROTEZIONE SX.	L.H. PROTECTION
-	162408	1	ALBERO DISTRIBUZIONE	COMPLETE L.H. INDUCTION				-Vale per Carter Sx. 163876-	-Valid for L.H. Guard 163876-
			ASPIRAZIONE SX. COMPL.	DISTRIBUTION SHAFT	24	10977724	4	VITE	SCREW
			-Vale dal motore No. 38322-	-Valid from engine Nr. 38322-				-Per Carter Sx. 158007 q.ta' 2-	-For L.H. Guard 158007 q.ty 2-
			-Vale fino ad esaurimento-	-Valid till stock exhaustion-	25	12601174	5	ROSETTA	WASHER
-	166660	1	ALBERO DISTRIBUZIONE	COMPLETE L.H. INDUCTION				-Per Carter Sx. 158007 q.ta' 3-	-For L.H. Guard 158007 q.ty 3-
			ASPIRAZIONE SX. COMPL.	DISTRIBUTION SHAFT	26	10977824	1	VITE	SCREW
			-Vale dopo esaurimento del	-Valid after stock exhaustion of	27	159521	1	MOLLETTA	CLIP
			162408-	162408-	28	157895	1	CARTER DX.	R.H. GUARD
17	151194	2	INNESTO SULL'ALBERO	COUPLING ON THE CAM				-Vale per Protezione Dx. 3 fori	-Valid for 3 fixing points
			DISTRIBUZIONE	SHAFT				di fissaggio-	R.H. Protection-
			-Vale fino al motore No. 38321-	-Valid till engine Nr. 38321-				-Vale fino ad esaurimento-	-Valid till stock exhaustion-
-	162759	1	INNESTO SULL'ALBERO	R.H. COUPLING ON THE CAM				-Sostituire con il 163877 + il	-Replace with 163877 +
			DISTRIBUZIONE DX.	SHAFT				163849-	163849-
			-Vale dal motore No. 38322-	-Valid from engine Nr. 38322-					



F355

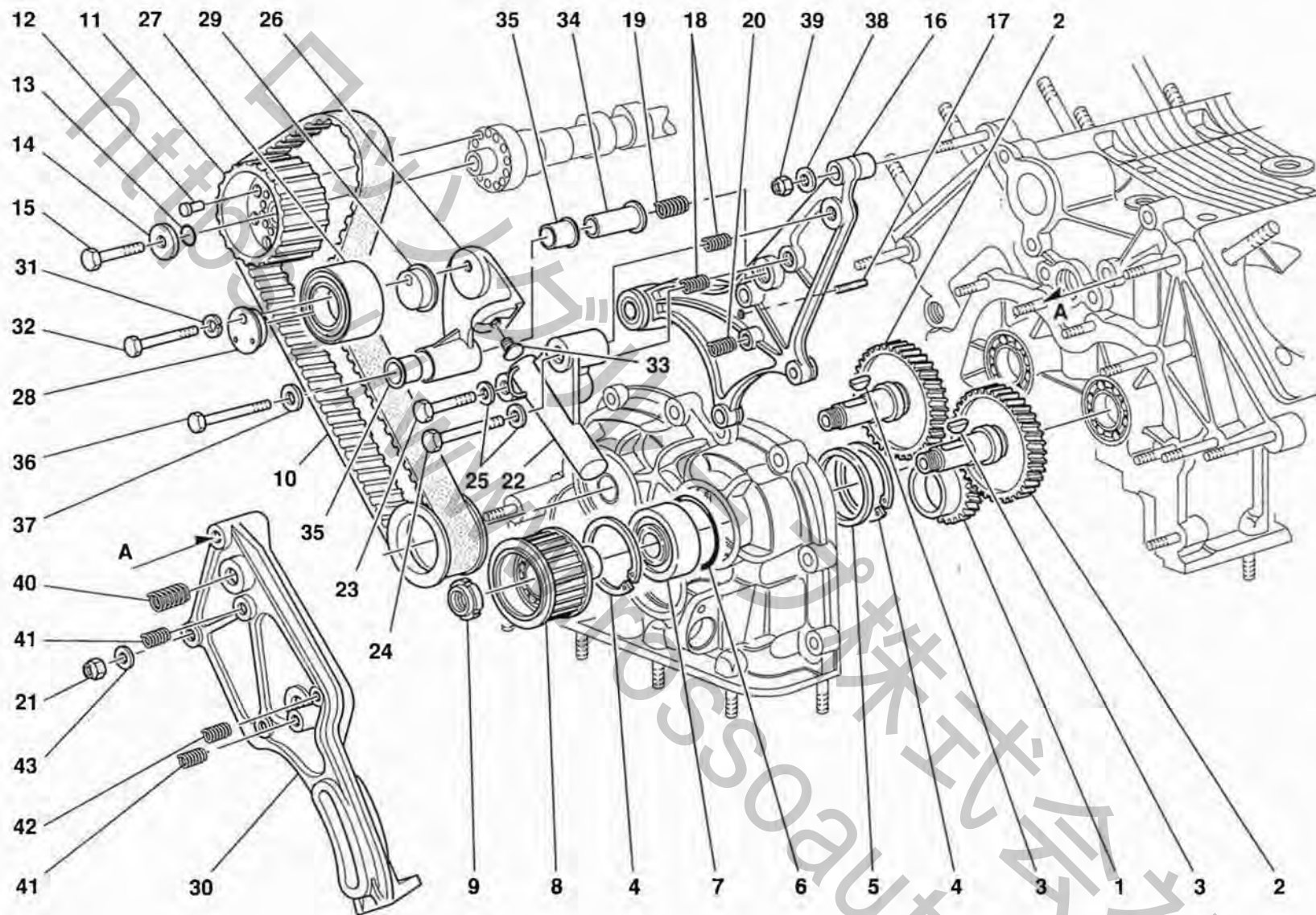
DISTRIBUZIONE - PUNTERIE E CARTER

TIMING - TAPPETS AND SHIELDS

TAV. 5

DATA: GIUGNO '95

Rif	Dis.N° Part.N°	Q.ty	Denominazione	Description	Rif	Dis.N° Part.N°	Q.ty	Denominazione	Description
-	163877	1	CARTER DX. -Vale per Protezione Dx. 5 fori di fissaggio-	R.H. GUARD -Valid for 5 fixing points	31	12601174	5	ROSETTA -Per Carter Dx. 157895 q.ta' 3-	WASHER -For R.H. Guard 157895 q.ty 3-
29	158054	1	PROTEZIONE DX. -Vale per Carter Dx. 157895-	R.H. PROTECTION -Valid for R.H. Guard 157895-	32	156829	2	VITE	SCREW
-	163849	1	PROTEZIONE DX. -Vale per Carter Dx. 163877-	R.H. PROTECTION -Valid for R.H. Guard 163877-	33	156830	4	VITE	SCREW
30	10977724	5	VITE -Per Carter Dx. 157895 q.ta' 3-	SCREW -For R.H. Guard 157895 q.ty 3-	34	156839	2	VITE	SCREW
					35	12604274	8	ROSETTA	WASHER
					36	104339	4	DISTANZIALE	SPACER
					37	10269550	1	TAPPO FILETTATO -Vale dal motore No. 38322-	THREADED PLUG -Valid from engine Nr. 38322-



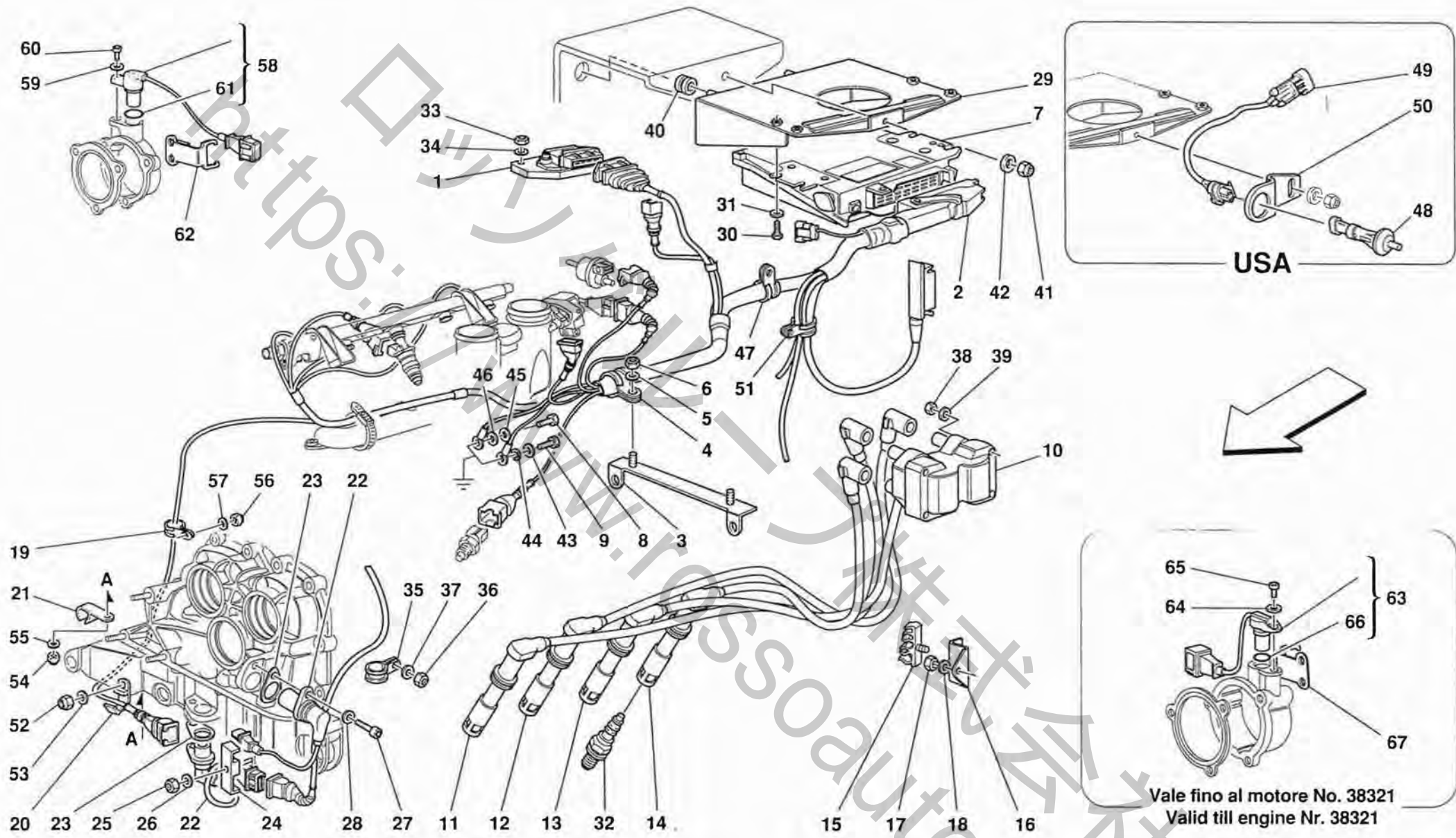
F355

DISTRIBUZIONE - COMANDI
TIMING - CONTROLS

TAV. 6

DATA: GIUGNO '95

<i>Rif</i>	<i>Dis.N° Part.N°</i>	<i>Q.ty</i>	<i>Denominazione</i>	<i>Description</i>	<i>Rif</i>	<i>Dis.N° Part.N°</i>	<i>Q.ty</i>	<i>Denominazione</i>	<i>Description</i>
1	163949	1	INGRANAGGIO CONDUTTORE	DRIVING GEAR	23	125506	2	VITE	SCREW
2	163950	2	INGRANAGGIO CONDOTTO	DRIVEN GEAR	24	16044224	2	VITE	SCREW
3	10206320	2	LINGUETTA A DISCO	DISC KEY	25	12601374	4	ROSETTA	WASHER
4	11060576	4	ANELLO SEEGER	SEEGER RING	26	158098	2	SUPPORTO TENDICINGHIA	BELT TIGHTENER SUPPORT
5	133377	2	ROSETTA	WASHER	27	158157	2	PULEGGIA TENDICINGHIA COMPL.	COMPLETE BELT TIGHTENING PULLEY
6	136140	2	GUARNIZIONE O.R.	O.R. GASKET	28	158100	2	PERNO ECCENTRICO ANT.	FRONT ECCENTRIC PIN
7	144690	2	CUSCINETTO	BEARING	29	159414	2	PERNO ECCENTRICO POST.	REAR ECCENTRIC PIN
8	154238	2	PULEGGIA CONDUTTRICE	DRIVING PULLEY	30	162947	1	STAFFA COMPL. SUPPORTO COMPRESSORE	COMPRESSOR SUPPORT COMPLETE BRACKET
9	104919	2	GHIERA	RING NUT	31	127497	2	ROSETTA	WASHER
10	154378	2	CINGHIA COMANDO DISTRIBUZIONE	TIMING CONTROL BELT	32	11307024	2	VITE	SCREW
11	157705	4	PULEGGIA CONDOTTA	DRIVEN PULLEY	33	158156	1	NOTTOLINO	PAWL
12	106203	4	GRANO CENTRAGGIO	CENTERING DOWEL	34	158138	2	BUSSOLA	BUSHING
13	114808	4	GUARNIZIONE O.R.	O.R. GASKET	35	159425	4	BOCCOLA	BUSHING
14	117274	4	RONDELLA	WASHER	36	11288034	2	VITE	SCREW
15	146540	4	VITE	SCREW	37	12626224	2	ROSETTA	WASHER
16	157393	1	STAFFA COMPL. SUPERIORE SUPPORTO GENERATORE	GENERATOR SUPPORT UPPER COMPLETE BRACKET	38	12601374	2	ROSETTA	WASHER
17	11499924	1	PRIGIONIERO	STUD	39	101139	2	DADO	NUT
18	13525870	2	INSERTO FILETTATO	THREADED INSERT	40	13526170	1	INSERTO FILETTATO	THREADED INSERT
19	13526170	1	INSERTO FILETTATO	THREADED INSERT	41	13525870	2	INSERTO FILETTATO	THREADED INSERT
20	13525570	1	INSERTO FILETTATO	THREADED INSERT	42	13525570	1	INSERTO FILETTATO	THREADED INSERT
21	101139	3	DADO	NUT	43	12601374	3	ROSETTA	WASHER
22	157356	2	TENDITORE IDRAULICO	HYDRAULIC TIGHTENER					



Vale fino al motore No. 38321
Valid till engine Nr. 38321

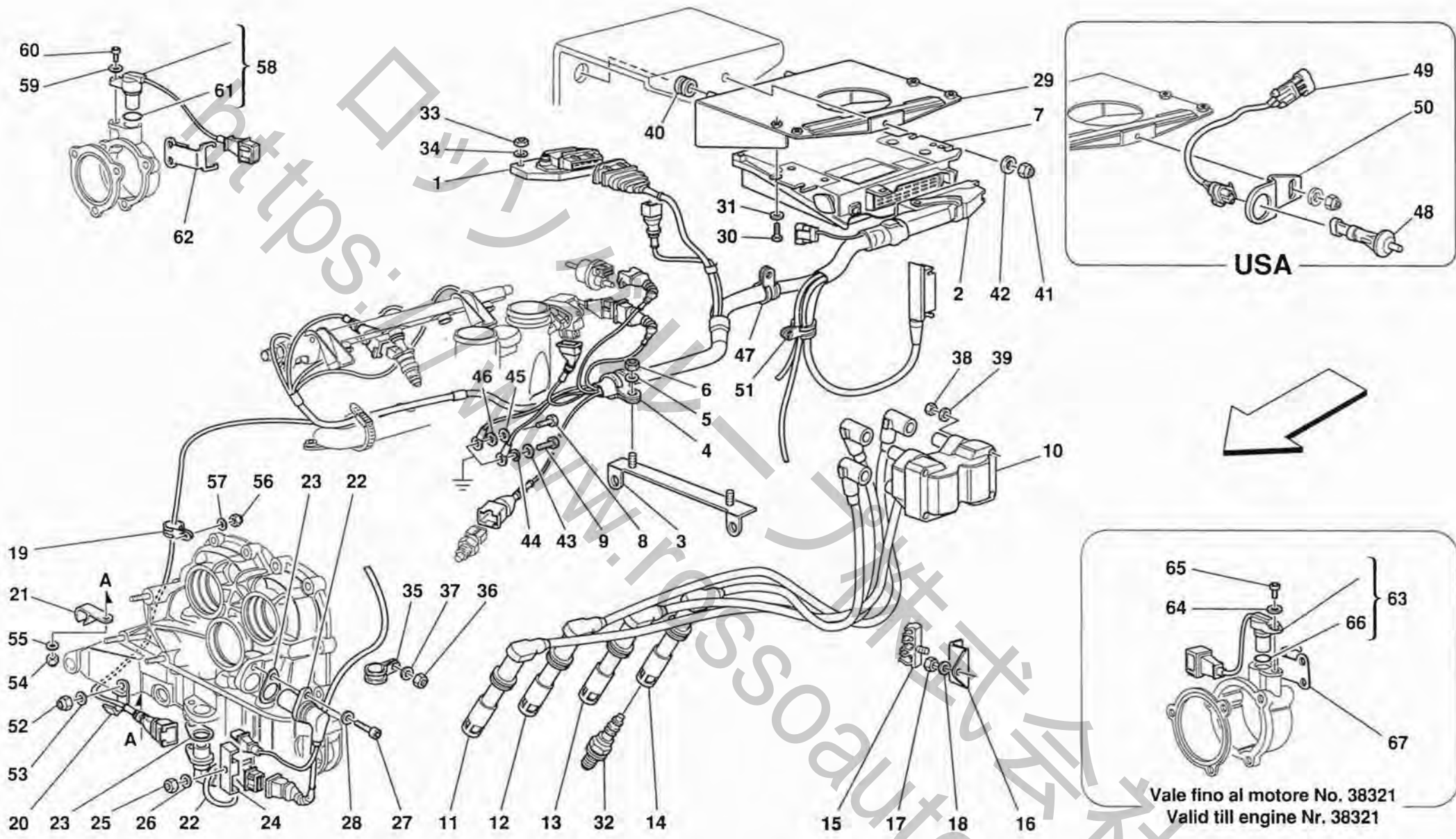
F355

IMPIANTO INIEZIONE - ACCENSIONE
INJECTION DEVICE - IGNITION

TAV. 7
DATA: GIUGNO '95

Rif	Dis.N° Part.N°	Q.ty	Denominazione	Description
1	137511	2	MODULO DI POTENZA	POWER MODULE
2	162358	1	CAVI COLLEGAMENTO BANCATA DX. -No per USA, CDN e CH- -Vale fino al motore No. 38321-	R.H. SIDE ENGINE CONNECTING CABLE -Not for USA, CDN and CH- -Valid till engine Nr. 38321-
-	163859	1	CAVI COLLEGAMENTO BANCATA DX. -No per USA, CDN e CH- -Vale dal motore No. 38322-	R.H. SIDE ENGINE CONNECTING CABLE -Not for USA, CDN and CH- -Valid from engine Nr. 38322-
-	162998	1	CAVI COLLEGAMENTO BANCATA DX. -Vale per USA, CDN e CH- -Vale fino al motore No. 38321-	R.H. SIDE ENGINE CONNECTING CABLE -Valid for USA, CDN and CH- -Valid till engine Nr. 38321-
-	162622	1	CAVI COLLEGAMENTO BANCATA DX. -Vale per USA, CDN e CH- -Vale dal motore No. 38322-	R.H. SIDE ENGINE CONNECTING CABLE -Valid for USA, CDN and CH- -Valid from engine Nr. 38322-
-	162359	1	CAVI COLLEGAMENTO BANCATA SX. -No per USA, CDN e CH- -Vale fino al motore No. 38321-	L.H. SIDE ENGINE CONNECTING CABLE -Not for USA, CDN and CH- -Valid till engine Nr. 38321-
-	163860	1	CAVI COLLEGAMENTO BANCATA SX. -No per USA, CDN e CH- -Vale dal motore No. 38322-	L.H. SIDE ENGINE CONNECTING CABLE -Not for USA, CDN and CH- -Valid from engine Nr. 38322-
-	162999	1	CAVI COLLEGAMENTO BANCATA SX. -Vale per USA, CDN e CH- -Vale fino al motore No. 38321-	L.H. SIDE ENGINE CONNECTING CABLE -Valid for USA, CDN and CH- -Valid till engine Nr. 38321-
-	162623	1	CAVI COLLEGAMENTO BANCATA SX. -Vale per USA, CDN e CH- -Vale dal motore No. 38322-	L.H. SIDE ENGINE CONNECTING CABLE -Valid for USA, CDN and CH- -Valid from engine Nr. 38322-
3	159185	1	STAFFA	BRACKET
4	10441890	2	STAFFETTA CON GUAINA	BRACKET WITH SHEATH
5	10519424	2	ROSETTA	WASHER
6	12574211	2	DADO	NUT
7	152213	2	CENTRALINA ELETTRONICA -No per CH- -Vale fino ad esaurimento-	ELECTRONIC CONTROL STATION -Not for CH- -Valid till stock exhaustion-

Rif	Dis.N° Part.N°	Q.ty	Denominazione	Description
-	164921	2	CENTRALINA ELETTRONICA -No per CH- -Vale dopo esaurimento del 152213-	ELECTRONIC CONTROL STATION -Not for CH- -Valid after stock exhaustion of 152213-
-	164654	2	CENTRALINA ELETTRONICA -Vale per CH-	ELECTRONIC CONTROL STATION -Valid for CH-
8	10902024	2	VITE	SCREW
9	10977624	2	VITE	SCREW
10	138255	2	ASSIEME BOBINA DI ACCENSIONE	IGNITION COIL ASSEMBLY
11	156476	1	CAVO (PER CANDELA 1)	CABLE (FOR SPARK PLUG 1)
-	156483	1	CAVO (PER CANDELA 8)	CABLE (FOR SPARK PLUG 8)
12	156477	1	CAVO (PER CANDELA 2)	CABLE (FOR SPARK PLUG 2)
-	156482	1	CAVO (PER CANDELA 7)	CABLE (FOR SPARK PLUG 7)
13	156478	1	CAVO (PER CANDELA 3)	CABLE (FOR SPARK PLUG 3)
-	156481	1	CAVO (PER CANDELA 6)	CABLE (FOR SPARK PLUG 6)
14	156479	1	CAVO (PER CANDELA 4)	CABLE (FOR SPARK PLUG 4)
-	156480	1	CAVO (PER CANDELA 5)	CABLE (FOR SPARK PLUG 5)
15	119402	2	MOLLETTA	CLIP
16	162475	2	STAFFA FISS. MOLLETTA	CLIP FIXING BRACKET
17	12574211	2	DADO	NUT
18	10519424	2	ROSETTA	WASHER
19	10441790	1	STAFFETTA CON GUAINA	BRACKET WITH SHEATH
20	129544	1	MOLLETTA	CLIP
21	143121	1	MOLLETTA	CLIP
22	162916	2	SENSORE VELOCITA' ANGOLARE	ANGULAR SPEED SENSOR
23	140621	2	SPESSORE	THICKNESS
24	139244	1	SUPPORTO	SUPPORT
25	15896470	1	DADO	NUT
26	11199274	1	ROSETTA	WASHER
27	14305724	2	VITE	SCREW
28	12601274	2	ROSETTA	WASHER
29	158334	2	STAFFA FISS. CENTRALINA	CONTROL UNIT FIXING BRACKET
30	10902011	8	VITE	SCREW
31	10519424	8	ROSETTA	WASHER
32	160513	8	CANDELA ACCENSIONE -Non piu' a ricambio- -Sostituita dalla 167098-	SPARK PLUG -Not as spare part now- -Replaced by 167098-
-	136790	8	CANDELA ACCENSIONE -In alternativa- -Non piu' a ricambio- -Sostituita dalla 167098-	SPARK PLUG -As an alternative- -Not as spare part now- -Replaced by 167098-

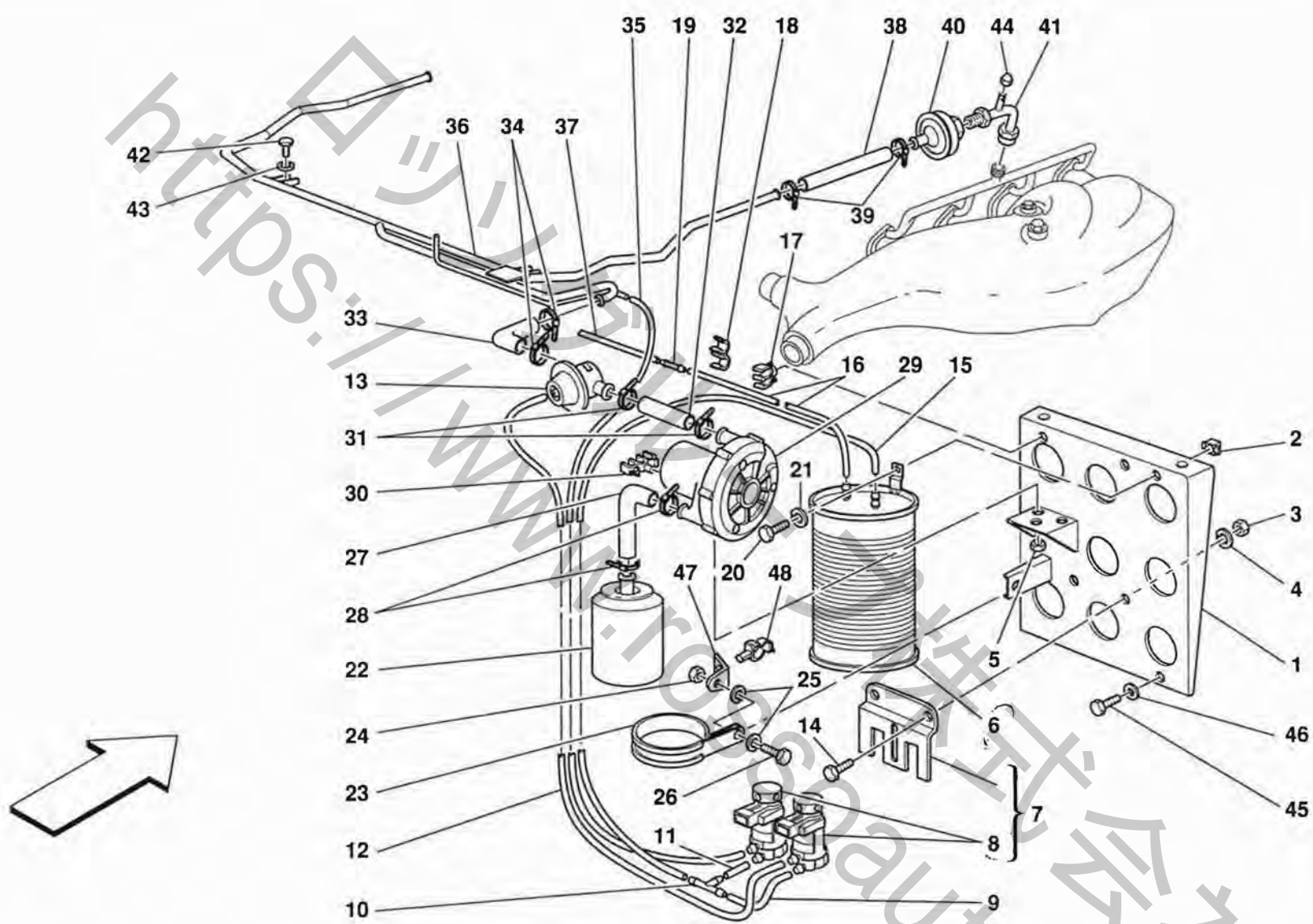


F355

IMPIANTO INIEZIONE - ACCENSIONE
 INJECTION DEVICE - IGNITION

TAV. 7
 DATA: GIUGNO '95

Rif	Dis. iv Part. N°	Q.ty	Denominazione	Description	Rif	Dis. N° Part. N°	Q.ty	Denominazione	Description
-	167098	8	CANDELA ACCENSIONE	SPARK PLUG	51	10442090	1	STAFFETTA CON GUAINA DX.	R.H. BRACKET WITH SHEATH
-	168325	8	CANDELA ACCENSIONE	SPARK PLUG	-	10441790	1	STAFFETTA CON GUAINA SX.	L.H. BRACKET WITH SHEATH
			-In alternativa-	-As an alternative-	52	12574211	1	DADO	NUT
33	113647	4	DADO	NUT	53	10519424	1	ROSETTA	WASHER
34	10519377	4	ROSETTA	WASHER	54	12574115	1	DADO	NUT
35	10441390	1	STAFFETTA CON GUAINA	BRACKET WITH SHEATH	55	14496324	1	ROSETTA	WASHER
36	12575411	1	DADO	NUT	56	12574115	1	DADO	NUT
37	10519424	1	ROSETTA	WASHER	57	14496324	1	ROSETTA	WASHER
38	113647	8	DADO	NUT	58	150866	1	SENSORE DI FASE DX.	R.H. PHASE SENSOR
39	10519377	8	ROSETTA	WASHER	59	12601274	1	ROSETTA	WASHER
40	10399280	4	ANELLO PASSAFILO	CABLE GROMMET	60	14305224	1	VITE	SCREW
41	12574211	2	DADO	NUT	61	150867	1	ANELLO DI TENUTA	SEAL RING
42	10519424	2	ROSETTA	WASHER	62	160867	1	STAFFA	BRACKET
43	149951	2	ROSETTA	WASHER	63	150866	1	SENSORE DI FASE SX.	L.H. PHASE SENSOR
44	14497801	2	ROSETTA	WASHER				-Vale fino al motore No. 38321-	-Valid till engine Nr. 38321-
45	10615474	2	ROSETTA	WASHER	64	12601274	1	ROSETTA	WASHER
46	12648201	2	ROSETTA	WASHER				-Vale fino al motore No. 38321-	-Valid till engine Nr. 38321-
47	106195	2	STAFFETTA CON GUAINA	BRACKET WITH SHEATH	65	14305224	1	VITE	SCREW
48	163132	2	PULSANTE AUTODIAGNOSI	TESTER PUSH				-Vale fino al motore No. 38321-	-Valid till engine Nr. 38321-
			-Vale per USA-	-Valid for USA-	66	150867	1	ANELLO DI TENUTA	SEAL RING
49	163123	2	CAVO PULSANTE AUTODIAGNOSI	TESTER PUSH CABLE				-Vale fino al motore No. 38321-	-Valid till engine Nr. 38321-
			-Vale per USA-	-Valid for USA-	67	160867	1	STAFFA	BRACKET
50	163160	2	STAFFA	BRACKET				-Vale fino al motore No. 38321-	-Valid till engine Nr. 38321-
			-Vale per USA-	-Valid for USA-					



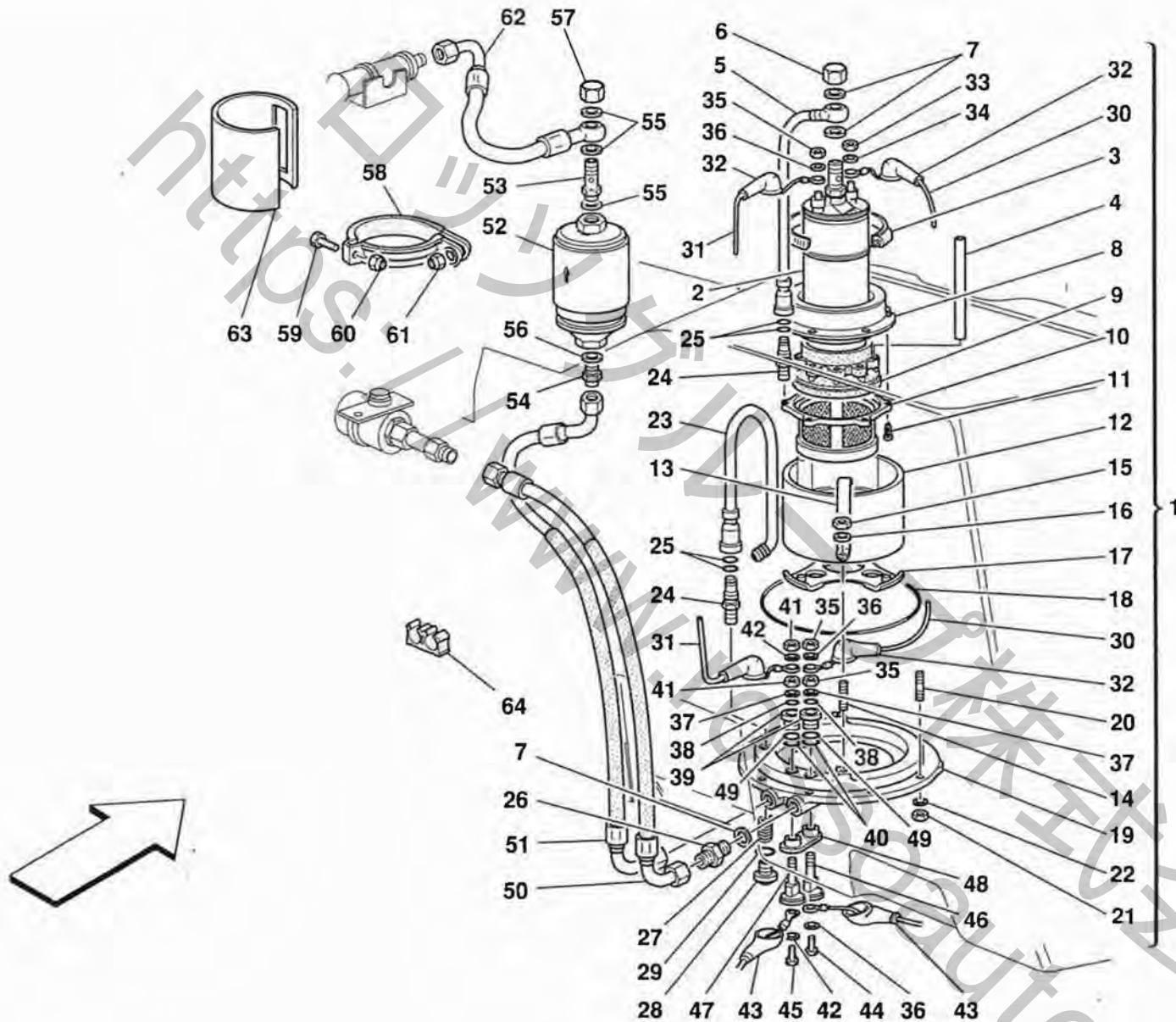
F355

IMPIANTO INIEZIONE ARIA
AIR INJECTION DEVICE

TAV. 8

DATA: GIUGNO '95

Rif	Dis.N° Part.N°	Q.ty	Denominazione	Description	Rif	Dis.N° Part.N°	Q.ty	Denominazione	Description
1	154929	1	STAFFA FISS. POMPA ARIA SECONDARIA	BRACKET FOR SECONDARY AIR PUMP FIXING	28	13000490	2	COLLARE A VITE	SCREW COLLAR
2	63364600	2	DADO CON GABBIA	NUT WITH CAGE	29	148049	1	POMPA ARIA ELETTRICA	ELECTRIC AIR PUMP
3	113647	2	DADO	NUT	30	119403	1	MOLLETTA	CLIP
4	14496324	2	ROSETTA	WASHER	31	13000390	2	COLLARE A VITE	SCREW COLLAR
5	14058411	3	DADO	NUT	32	155107	1	TUBO GOMMA DA VALVOLA CUT-OFF A POMPA ARIA	HOSE FROM CUT-OFF VALVE TO AIR PUMP
6	63397700	1	SERBATOIO PER VUOTO	VACUUM TANK	33	154652	1	MANICOTTO DA TUBO A VALVOLA CUT-OFF	SLEEVE FROM PIPE TO CUT-OFF VALVE
7	159176	1	PIASTRINO COMPL. DI ELETTROVALVOLE	SOLENOID VALVES COMPLETE SMALL PLATE	34	13000390	2	COLLARE A VITE	SCREW COLLAR
8	159177	2	ELETTROVALVOLA	SOLENOID VALVE	35	115676	1	TUBO DA ELETTROVALVOLA A TUBO COLLEG. A MOTORE	PIPE FROM SOLENOID VALVE TO ENGINE CONNECTION PIPE
9	159189	1	TUBO DA RACCORDO AD ELETTROVALVOLA	PIPE FROM CONNECTION TO SOLENOID VALVE	36	145155	1	TUBO A MOTORE -No per CH-	PIPE TO ENGINE -Not for CH-
10	121793	1	RACCORDO A TRE VIE	3-WAY UNION				-Non piu' a ricambio-	-Not as spare part now-
11	122759	1	TUBO DA RACCORDO AD ELETTROVALVOLA	PIPE FROM CONNECTION TO SOLENOID VALVE				-Sostituito dal 165471-	-Replaced by 165471-
12	118901	1	TUBO DA CUT-OFF AD ELETTROVALVOLA	PIPE FROM CUT-OFF SOLENOID VALVE	-	165471	1	TUBO A MOTORE -No per CH-	PIPE TO ENGINE -Not for CH-
13	147390	1	VALVOLA CUT-OFF	CUT-OFF VALVE	-	164556	1	TUBO A MOTORE -Vale per CH-	PIPE TO ENGINE -Valid for CH-
14	14287724	2	VITE	SCREW	37	117170	1	TUBO DA RACCORDO A SERBATOIO PER VUOTO	PIPE FROM UNION TO VACUUM TANK
15	122126	1	TUBO DA SERBATOIO PER VUOTO A RACCORDO TRE VIE	PIPE FROM VACUUM TANK TO 3-WAY UNION	38	155107	2	TUBO GOMMA -Non piu' a ricambio-	RUBBER HOSE -Not as spare part now-
16	115676	1	TUBO DA SERBATOIO PER VUOTO A RACCORDO	PIPE FROM VACUUM TANK TO UNION				-Sostituito dal 165446-	-Replaced by 165446-
17	119404	2	MOLLETTA	CLIP	-	165446	2	TUBO GOMMA	RUBBER HOSE
18	145702	1	MOLLETTA	CLIP	39	13000490	4	COLLARE A VITE	SCREW COLLAR
19	159191	1	RACCORDO	UNION	40	148494	2	VALVOLA ARIA SECONDARIA	SECONDARY AIR VALVE
20	10902124	2	VITE	SCREW	41	151150	2	RACCORDO	UNION
21	12639724	2	ROSETTA	WASHER	42	10902121	2	VITE	SCREW
22	148050	1	FILTRO ARIA	AIR FILTER	43	12620479	2	ROSETTA	WASHER
23	126353	1	STAFFETTA CON GUAINA	BRACKET WITH SHEATH	44	150595	2	DADO	NUT
24	12575411	1	DADO	NUT	45	10902124	3	VITE	SCREW
25	12639724	2	ROSETTA	WASHER	46	12646601	3	ROSETTA	WASHER
26	10902324	1	VITE	SCREW	47	159658	1	STAFFA	BRACKET
27	145108	1	MANICOTTO DA POMPA ARIA A FILTRO	SLEEVE FROM AIR PUMP TO FILTER	48	164565	1	MOLLETTA	CLIP



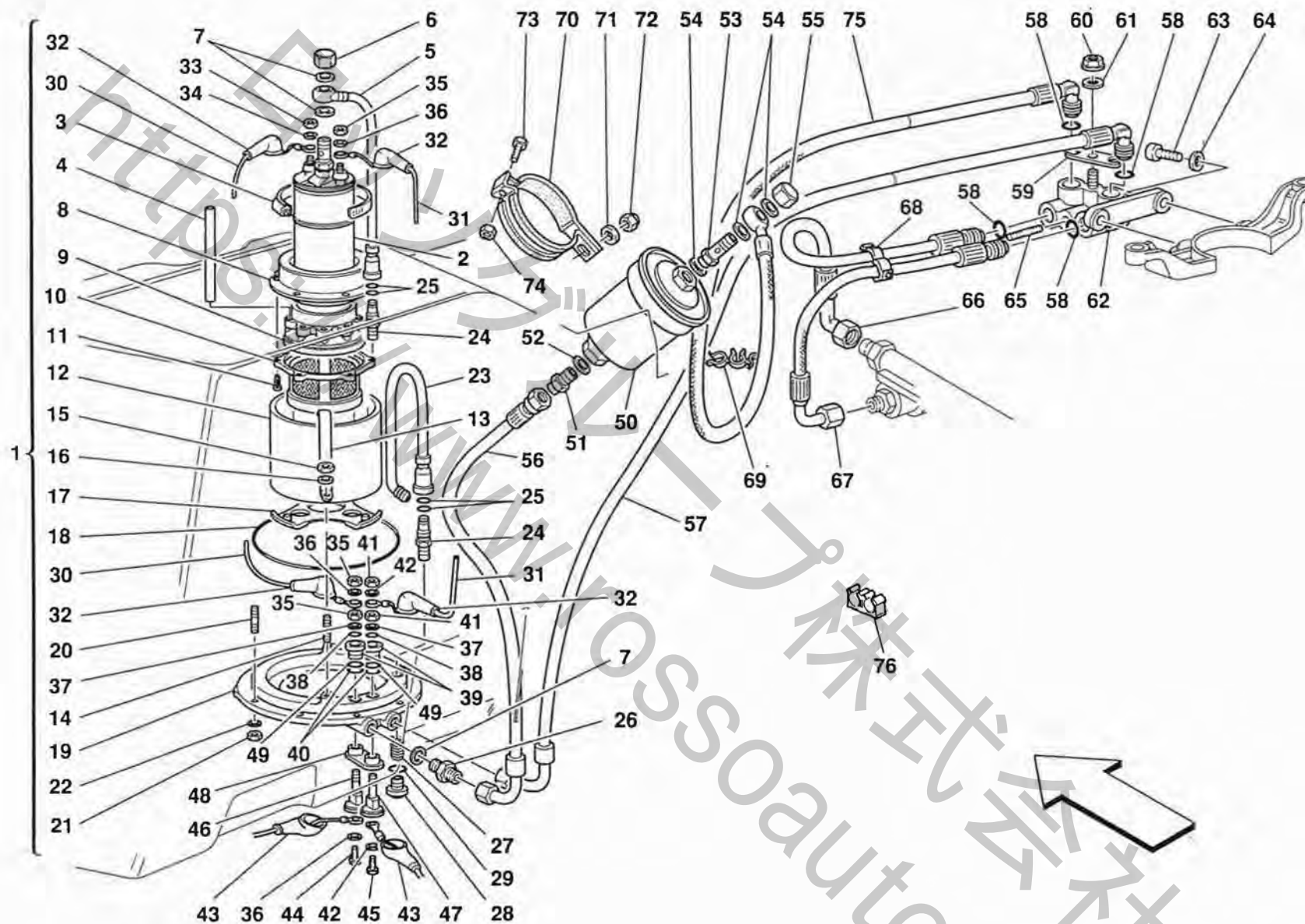
F355

POMPA E TUBAZIONI ALIMENTAZIONE - Vale per vett. con doppia pompa benzina-
FUEL PUMP AND PIPES - Valid for cars with double fuel pump-

TAV. 9

DATA: GIUGNO '95

Rif	Dis., Part.N°	Q.ty	Denominazione	Description	Rif	Dis.N° Part.N°	Q.ty	Denominazione	Description
1	160047	2	POMPA BENZINA COMPLETA	COMPLETE FUEL PUMP	38	134701	4	GUARNIZIONE O.R.	O.R. GASET
2	155592	2	POMPA BENZINA	FUEL PUMP	39	134672	4	BOCCOLA	BUSHING
3	13000890	2	COLLARE A VITE	SCREW COLLAR	40	134705	4	GUARNIZIONE O.R.	O.R. GASKET
4	139205	2	TUBO SFIATO	VENT PIPE	41	15896211	4	DADO	NUT
5	133967	2	TUBO ALIMENTAZIONE BENZINA	FUEL PIPE	42	10615474	4	ROSETTA	WASHER
6	10183217	2	RACCORDO	UNION	43	137612	4	CAPPUCCIO	BOOT
7	113910	8	GUARNIZIONE	GASKET	44	10856821	2	VITE	SCREW
8	126810	2	COPERCHIO FILTRO BENZINA	FUEL FILTER COVER	45	11635721	2	VITE	SCREW
9	144232	2	GUARNIZIONE	GASKET	46	137611	2	PERNO MASSA	MASS PIN
10	126808	2	FILTRO NELLA VASCHETTA	FILTER INSIDE CHAMBER	47	137610	2	PERNO MASSA	MASS PIN
11	15671101	12	VITE	SCREW	48	137613	2	FLANGIA ESTERNA	OUTER FLANGE
12	126806	2	VASCHETTA	PAN	49	14456880	4	GUARNIZIONE O.R.	O.R. GASKET
13	137577	4	STAFFETTA	BRACKET	50	157653	1	TUBO BENZINA DAL REG. DI PRESS. ALLA POMPA DX.	FUEL TUBE FROM PRESSURE ADJUSTER TO R.H. PUMP
14	11000924	4	PRIGIONIERO	STUD	-	157656	1	TUBO BENZINA DAL REG. DI PRESS. ALLA POMPA SX.	FUEL TUBE FROM PRESSURE ADJUSTER TO L.H. PUMP
15	13677911	4	DADO	NUT	51	157651	1	TUBO BENZINA DA POMPA A FILTRO DX.	FUEL PIPE FROM PUMP TO R.H. FILTER
16	10730014	4	ROSETTA	WASHER	-	157654	1	TUBO BENZINA DA POMPA A FILTRO SX.	FUEL PIPE FROM PUMP TO L.H. FILTER
17	126807	2	ANTIVIBRANTE	ANTI-VIBRATIONS	52	152212	2	FILTRO BENZINA	FUEL FILTER
18	138453	2	GUARNIZIONE O.R.	O.R. GASKET	53	109797	2	RACCORDO	UNION
19	139454	2	COPERCHIO POMPA BENZINA	FUEL PUMP COVER	54	109889	2	RACCORDO	UNION
20	11500224	16	PRIGIONIERO	STUD	55	113910	6	GUARNIZIONE	GASKET
21	102741	16	DADO	NUT	56	10280060	2	GUARNIZIONE	GASKET
22	12601274	16	ROSETTA	WASHER	57	10183217	2	RACCORDO	UNION
23	133968	2	TUBO DI RIFLUSSO BENZINA	FUEL FLOWING BACK PIPE	58	152885	2	STAFFETTA	BRACKET
24	133950	4	RACCORDO	UNION	59	10902521	2	VITE	SCREW
25	133956	8	GUARNIZIONE O.R.	O.R. GASKET	60	12575411	2	DADO	NUT
26	109797	4	RACCORDO	UNION	61	101139	2	DADO	NUT
27	103388	2	INSERTO FILETTATO	THREADED INSERT	62	157652	1	TUBO MANDATA DA FILTRO A FLAUTO DX.	DELIVERY PIPE FROM FILTER TO R.H. FLUTE
28	134713	2	TAPPO	PLUG	-	157655	1	TUBO MANDATA DA FILTRO A FLAUTO SX.	DELIVERY PIPE FROM FILTER TO L.H. FLUTE
29	134233	2	GUARNIZIONE O.R.	O.R. GASKET	63	164206	2	COIBENTAZIONE FILTRO	FILTER INSULATION
30	139519	2	CAVO POSITIVO	POSITIVE CABLE	64	160675	2	MOLLETTA	CLIP
31	146660	2	CAVO NEGATIVO	NEGATIVE CABLE					
32	130146	8	CAPPUCCIO	BOOT					
33	10794011	2	DADO	NUT					
34	10615274	2	ROSETTA	WASHER					
35	15896470	6	DADO	NUT					
36	149951	6	ROSETTA	WASHER					
37	10519424	4	ROSETTA	WASHER					



F355

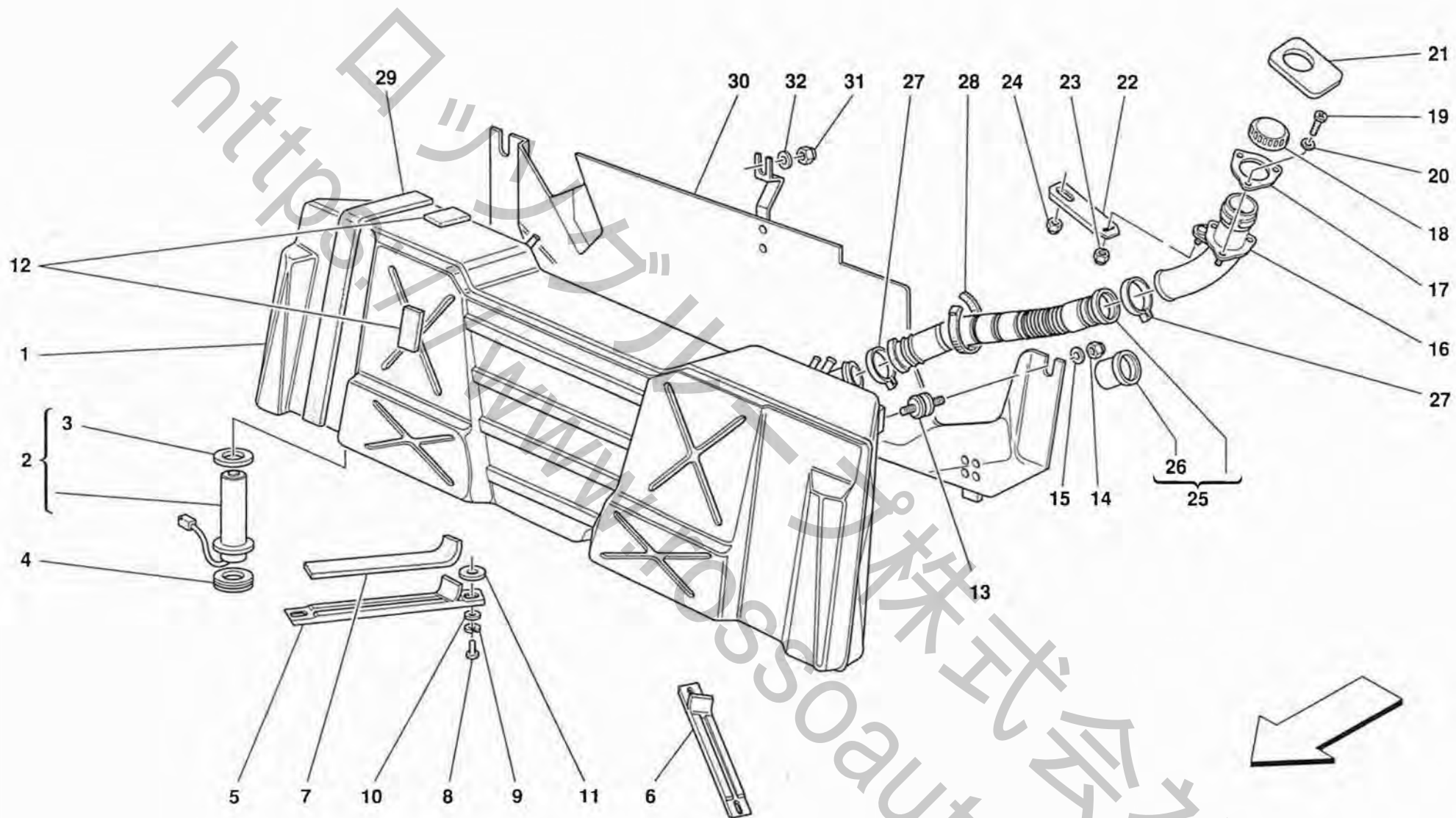
POMPA E TUBAZIONI ALIMENTAZIONE -Vale per vett. monopompa benzina-
 FUEL PUMP AND PIPES -Valid for cars with single fuel pump-

TAV. 9/A

DATA: GIUGNO '95

Rif	Dis. N° Part. N°	Q.ty	Denominazione	Description
1	165267	1	POMPA BENZINA COMPLETA	COMPLETE FUEL PUMP
2	140317	1	POMPA BENZINA	FUEL PUMP
3	13000890	1	COLLARE A VITE	SCREW COLLAR
4	139205	1	TUBO SFIATO	VENT PIPE
5	133967	1	TUBO ALIMENTAZIONE BENZINA	FUEL PIPE
6	10183217	1	RACCORDO	UNION
7	113910	4	GUARNIZIONE	GASKET
8	126810	1	COPERCHIO FILTRO BENZINA	FUEL FILTER COVER
9	126809	1	GUARNIZIONE	GASKET
10	126808	1	FILTRO NELLA VASCHETTA	FILTER INSIDE CHAMBER
11	15671101	6	VITE	SCREW
12	153189	1	VASCHETTA	PAN
13	137577	2	STAFFETTA	BRACKET
14	11000924	2	PRIGIONIERO	STUD
15	13677911	2	DADO	NUT
16	10730014	2	ROSETTA	WASHER
17	126807	1	ANTIVIBRANTE	ANTI-VIBRATIONS
18	138453	1	GUARNIZIONE O.R.	O.R. GASKET
19	139454	1	COPERCHIO POMPA BENZINA	FUEL PUMP COVER
20	11500224	8	PRIGIONIERO	STUD
21	102741	8	DADO	NUT
22	12601274	8	ROSETTA	WASHER
23	165489	1	TUBO DI RIFLUSSO BENZINA	FUEL FLOWING BACK PIPE
24	133950	2	RACCORDO	UNION
25	133956	4	GUARNIZIONE O.R.	O.R. GASKET
26	109797	2	RACCORDO	UNION
27	103388	1	INSERTO FILETTATO	THREADED INSERT
28	134713	1	TAPPO	PLUG
29	134233	1	GUARNIZIONE O.R.	O.R. GASKET
30	139519	1	CAVO POSITIVO	POSITIVE CABLE
31	146660	1	CAVO NEGATIVO	NEGATIVE CABLE
32	130146	1	CAPPUCCIO	BOOT
33	10794011	1	DADO	NUT
34	10615274	1	ROSETTA	WASHER
35	15896470	3	DADO	NUT
36	149951	3	ROSETTA	WASHER
37	10519424	2	ROSETTA	WASHER
38	134701	2	GUARNIZIONE O.R.	O.R. GASKET
39	134672	2	BOCCOLA	BUSHING
40	134705	2	GUARNIZIONE O.R.	O.R. GASKET

Rif	Dis. N° Part. N°	Q.ty	Denominazione	Description
41	15896211	2	DADO	NUT
42	10615474	2	ROSETTA	WASHER
43	137612	2	CAPPUCCIO	BOOT
44	10856821	1	VITE	SCREW
45	11635721	1	VITE	SCREW
46	137611	1	PERNO MASSA	MASS PIN
47	137610	1	PERNO MASSA	MASS PIN
48	137613	1	FLANGIA ESTERNA	OUTER FLANGE
49	14456880	2	GUARNIZIONE O.R.	O.R. GASKET
50	117792	1	FILTRO BENZINA	FUEL FILTER
51	109889	1	RACCORDO	UNION
52	10280060	1	GUARNIZIONE	GASKET
53	158225	1	RACCORDO	UNION
54	113910	3	GUARNIZIONE	GASKET
55	10183217	1	RACCORDO	UNION
56	165564	1	TUBO BENZINA DA POMPA A FILTRO	FUEL PIPE FROM PUMP TO FILTER
57	165566	1	TUBO BENZINA DA BLOCCHETTO RIFLUSSO A POMPA	FUEL PIPE FROM REFLOW BLOCK TO PUMP
58	127816	6	GUARNIZIONE	GASKET
59	129316	3	PIASTRINA	PLATE
60	14084211	3	DADO	NUT
61	12601274	3	ROSETTA	WASHER
62	165192	1	RIPARTITORE CARBURANTE	FUEL DIVIDER
63	14433174	2	VITE	SCREW
64	153366	2	ROSETTA	WASHER
65	13540724	3	PRIGIONIERO	STUD
66	165533	2	TUBO BENZINA DA BLOCCHETTO MANDATA A FLAUTO	FUEL PIPE FROM DELIVERY BLOCK TO FLUTE
67	165534	2	TUBO BENZINA DA REGOLATORE A BLOCCHETTO RIPARTITORE	FUEL PIPE FROM REGULATOR TO DIVIDER BLOCK
68	160675	4	MOLLETTA	CLIP
69	166677	1	MOLLETTA	CLIP
70	126352	1	STAFFETTA	BRACKET
71	13550301	1	ROSETTA	WASHER
72	104030	1	DADO	NUT
73	10902324	1	VITE	SCREW
74	12575411	1	DADO	NUT
75	165565	1	TUBO BENZINA DA FILTRO A BLOCCHETTO MANDATA	FUEL PIPE FROM FILTER TO DELIVERY BLOCK
76	160675	2	MOLLETTA	CLIP



F355

SERBATOIO CARBURANTE
FUEL TANK

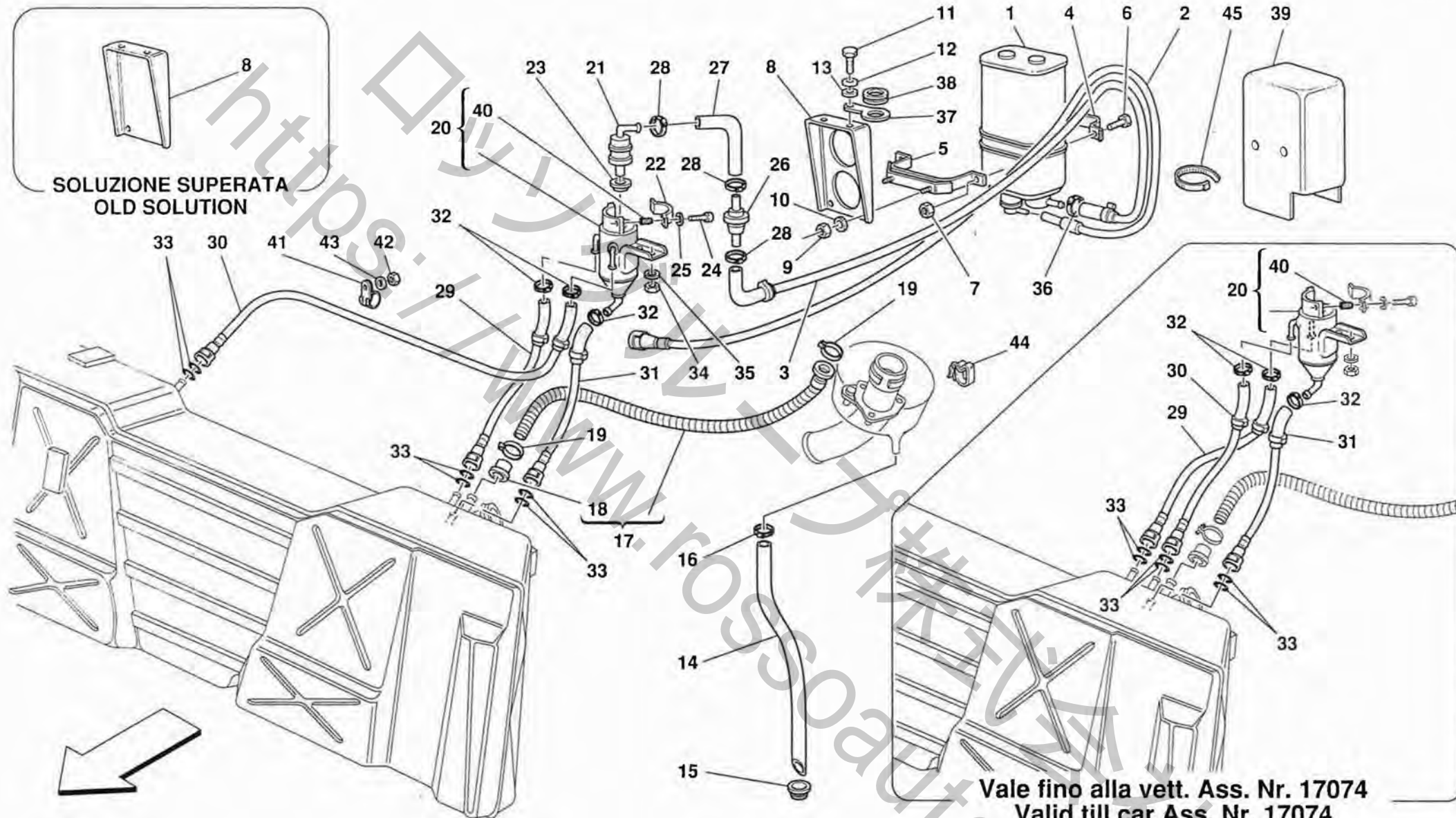
TAV. 10

DATA: GIUGNO '95

Rif	Dis.N° Part.N°	Q.ty	Denominazione	Description
1	149037	1	SERBATOIO CARBURANTE	FUEL TANK
			-Vale per vett. con doppia pompa benzina-	-Valid for cars with double fuel pump-
			-Vale fino alla vett. Ass. Nr. 17074-	-Valid till car Ass. Nr. 17074-
			-Non piu' a ricambio-	-Not as spare part now-
			-Sostituire con i particolari	-Replace with parts
			157685 + 157977 + 157979 + 10441290 + 12574211 + 14496421-	157685 + 157977 + 157979 + 10441290 + 12574211 + 14496421-
			-Vedi anche Tav. 11-	-See also Table 11-
-	157685	1	SERBATOIO CARBURANTE	FUEL TANK
			-Vale per vett. con doppia pompa benzina-	-Valid for cars with double fuel pump-
			-Vale dalla vett. Ass. Nr. 17075-	-Valid from car Ass. Nr. 17075-
-	165652	1	SERBATOIO CARBURANTE	FUEL TANK
			-Vale per vett. monopompa benzina-	-Valid for cars with single fuel pump-
2	146648	1	COMANDO INDICATORE LIVELLO CARBURANTE	FUEL LEVEL INDICATOR CONTROL
3	154802	1	GUARNIZIONE	GASKET
4	121435	1	GHIERA	RING NUT
5	135035	1	SUPPORTO DX.	R.H. SUPPORT
6	135036	1	SUPPORTO SX.	L.H. SUPPORT
7	125035	2	SPESSORE IN GOMMA	RUBBER THICKNESS
8	15970721	4	VITE	SCREW
9	127497	4	ROSETTA	WASHER
10	14496621	4	ROSETTA	WASHER
11	140745	16	RONDELLA DI RASAMENTO mm. 2,0	SPACER WASHER mm. 2,0
-	140746	16	RONDELLA DI RASAMENTO mm. 3,0	SPACER WASHER mm. 3,0
-	140747	16	RONDELLA DI RASAMENTO mm. 4,0	SPACER WASHER mm. 4,0

Tavola 10 - SERBATOIO CARBURANTE FUEL TANK

Rif	Dis.N° Part.N°	Q.ty	Denominazione	Description
12	127403	4	SPESSORE IN GOMMA	RUBBER THICKNESS
13	137994	2	SUPPORTO ANTIVIBRANTE	ANTI-VIBRATION SUPPORT
14	102742	2	DADO	NUT
15	12644301	2	ROSETTA	WASHER
16	153965	1	BOCCHETTONE	UNION
			-Vale per vett. catalizzate-	-Valid for catalyzed cars-
-	160719	1	BOCCHETTONE	UNION
			-Vale per vett. non catalizzate-	-Valid for non-catalyzed cars-
17	123897	1	GUARNIZIONE	GASKET
18	142790	1	TAPPO	PLUG
19	62926700	3	VITE	SCREW
20	12601274	3	ROSETTA	WASHER
21	62943200	1	PROTEZIONE TAPPO	PLUG PROTECTION
22	141507	1	STAFFA	BRACKET
23	14058511	1	DADO	NUT
24	14058411	2	DADO	NUT
25	141066	1	TUBO COLLEGAMENTO BOCCHETTONE SERBATOIO	UNION-TANK CONNECTING PIPE
26	141033	2	GUARNIZIONE	GASKET
27	163944	2	COLLARE PER MANICOTTO	COLLAR FOR SLEEVE
			-Non piu' a ricambio-	-Not as spare part now-
			-Sostituito dal 165398-	-Replaced by 165398-
-	165398	2	COLLARE PER MANICOTTO	COLLAR FOR SLEEVE
28	145855	2	FASCETTA	CLAMP
29	125036	2	SPESSORE IN GOMMA	RUBBER THICKNESS
30	163981	1	PARATIA PROTEZIONE SERBATOIO	SHIELD FOR TANK PROTECTION
31	102741	1	DADO	NUT
32	10519424	1	ROSETTA	WASHER



F355

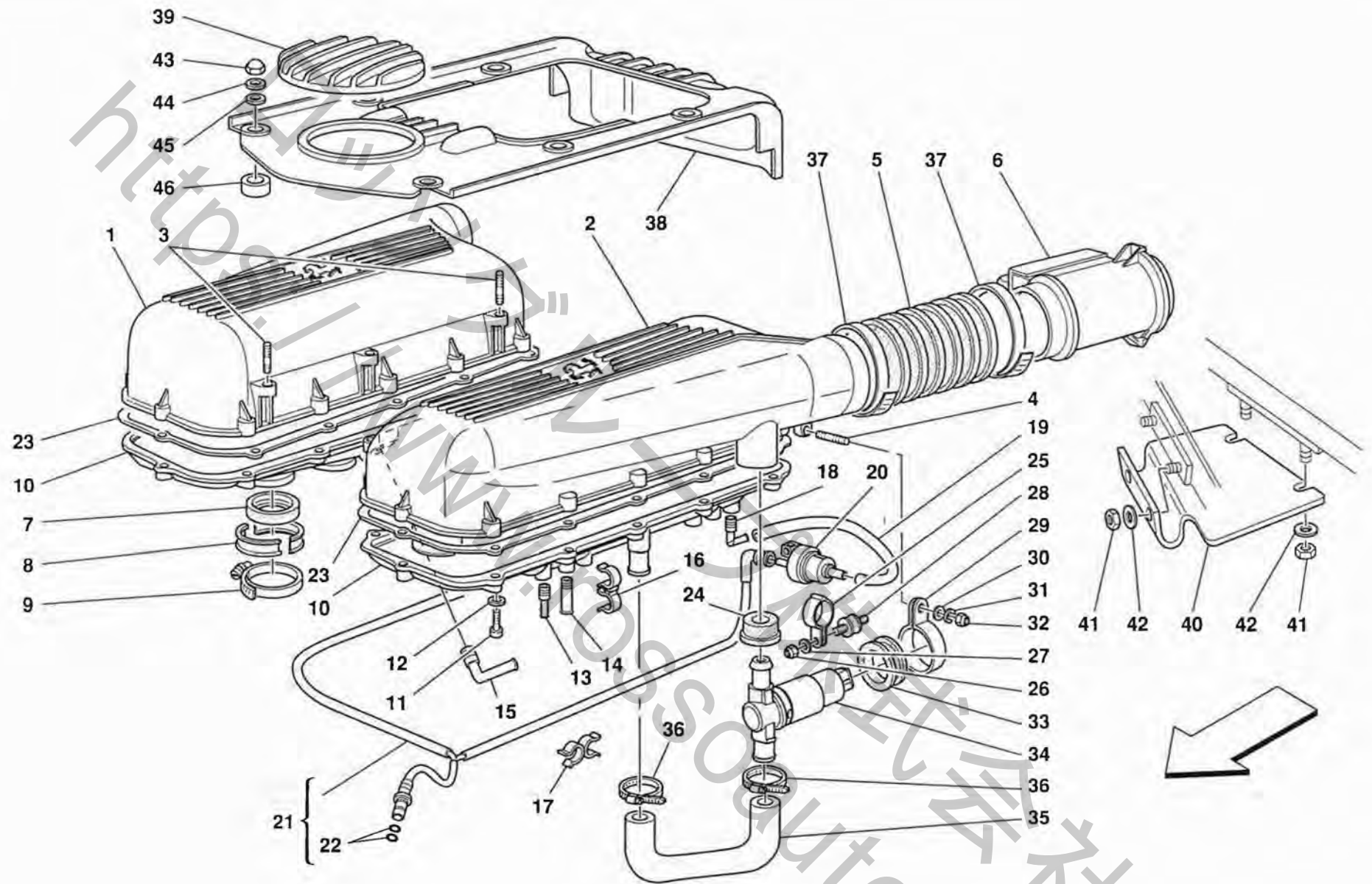
IMPIANTO ANTIEVAPORAZIONE
ANTIEVAPORATION DEVICE

TAV. 11

DATA: GIUGNO '95

Rif	Dis.N° Part.N°	Q.ty	Denominazione	Description
1	148413	1	FILTRO VAPORI COMBUSTIBILE	FUEL VAPOR FILTER
2	163772	1	TUBO DA FILTRO A TUBAZIONE ANTIEVAPORAZIONE	PIPE FROM FILTER TO ANTI-EVAPORATION PIPE
-	165794	1	TUBO DA FILTRO A TUBAZIONE ANTIEVAPORAZIONE	PIPE FROM FILTER TO ANTI-EVAPORATION PIPE
			-Vale per Spider-	-Not for Spider-
3	163771	1	TUBO DA VALVOLA A FILTRO	PIPE FROM FILTER TO VALVE
-	165793	1	TUBO DA VALVOLA A FILTRO	PIPE FROM FILTER TO VALVE
			-Vale per Spider-	-Valid for Spider-
4	154385	1	STAFFA	BRACKET
5	145017	1	STAFFA	BRACKET
6	10902121	2	VITE	SCREW
7	102741	2	DADO	NUT
8	163770	1	STAFFA SUPPORTO FILTRO	FILTER SUPPORTING BRACKET
			-Vale dopo esaurimento del 152720-	-Valid after stock exhaustion of 152720-
			-Non piu' a ricambio-	-Not as spare part now-
			-Sostituita dalla 166988-	-Replaced by 166988-
-	166988	1	STAFFA SUPPORTO FILTRO	FILTER SUPPORTING BRACKET
9	102741	2	DADO	NUT
10	12644424	2	ROSETTA	WASHER
11	10902121	2	VITE	SCREW
12	127494	2	ROSETTA	WASHER
13	12646601	2	ROSETTA	WASHER
14	64508700	1	TUBO SCARICO BENZINA	FUEL EXHAUST TUBE
15	10396880	1	ANELLO PASSAFILO	CABLE GROMMET
16	13000190	1	COLLARE A VITE	SCREW COLLAR
17	142104	1	TUBO SFIATO DA SERBATOIO A BOCCHETTONE	VENT PIPE FROM TANK TO UNION
18	142106	2	GUARNIZIONE	GASKET
19	164015	2	COLLARE PER MANICOTTO	COLLAR FOR SLEEVE
20	157878	1	SEPARATORE VAPORI	DISAREATOR
			-Vale per serbatoio carburante 149037 - Vedi Tav. 10-	-Valid for fuel tank 149037- -See Table 10-
-	157977	1	SEPARATORE VAPORI	DISAREATOR
			-Vale per serbatoio carburante 157685 e 165652 - Vedi Tav. 10-	-Valid for fuel tank 157685 and 165652 - See Table 10-
21	124193	1	VALVOLA ANTIDEFUSSO	ANTI FLOWING BACK VALVE

Rif	Dis.N° Part.N°	Q.ty	Denominazione	Description
22	155405	1	STAFFA	BRACKET
23	155313	1	ANELLO DI TENUTA	SEAL RING
24	13273911	2	VITE	SCREW
25	14496324	2	ROSETTA	WASHER
26	159478	1	VALVOLA VENTILAZIONE SERBATOIO	TANK VENTILATION VALVE
27	148464	1	MANICOTTO	SLEEVE
28	13000190	3	COLLARE A VITE	SCREW COLLAR
29	157927	1	TUBO DA SERBATOIO A SEPARATORE	PIPE FROM TANK TO DISAREATOR
30	159528	1	TUBO DA SERBATOIO A SEPARATORE	PIPE FROM TANK TO DISAREATOR
			-Vale per serbatoio carburante 149037 - Vedi Tav. 10-	-Valid for fuel tank 149037- -See Table 10-
-	157979	1	TUBO DA SERBATOIO A SEPARATORE	PIPE FROM TANK TO DISAREATOR
			-Vale per serbatoio carburante 157685 e 165652 - Vedi Tav. 10-	-Valid for fuel tank 157685 and 165652 - See Table 10-
31	157928	1	TUBO DA SEPARATORE A SERBATOIO	PIPE FROM DISAREATOR TO TANK
32	13000190	3	COLLARE A VITE	SCREW COLLAR
33	133956	6	GUARNIZIONE O.R.	O.R. GASKET
34	12574211	2	DADO	NUT
35	14496421	2	ROSETTA	WASHER
36	13000190	1	COLLARE A VITE	SCREW COLLAR
37	149080	1	STAFFA	BRACKET
38	10396680	1	ANELLO PASSAFILO	CABLE GROMMET
39	163533	1	PROTEZIONE FILTRO VAPORI	VAPOR FILTER PROTECTION
40	13525170	2	INSERTO FILETTATO	THREADED INSERT
41	10441290	2	STAFFETTA CON GUAINA	BRACKET WITH SHEATH
			-Vale per serbatoio carburante 157685 e 165652 - Vedi Tav. 10-	-Valid for fuel tank 157685 and 165652 - See Table 10-
42	12574211	2	DADO	NUT
			-Vale per serbatoio carburante 157685 e 165652 - Vedi Tav. 10-	-Valid for fuel tank 157685 and 165652 - See Table 10-
43	14496421	2	ROSETTA	WASHER
			-Vale per serbatoio carburante 157685 e 165652 - Vedi Tav. 10-	-Valid for fuel tank 157685 and 165652 - See Table 10-
44	140798	1	MOLLETTA	CLIP
45	145855	1	FASCETTA	CLAMP



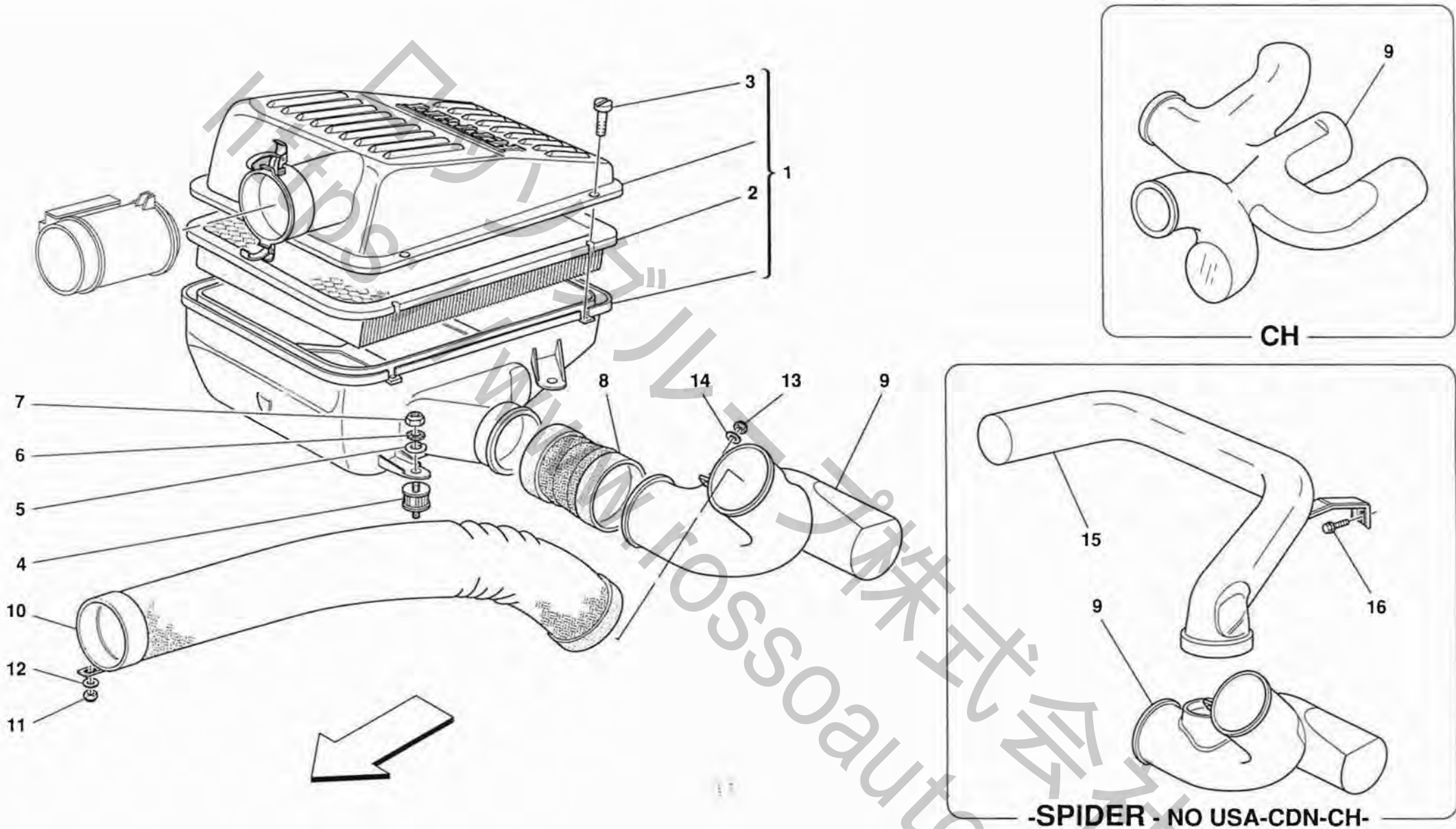
F355

POLMONI ARIA
AIR BOXES

TAV. 12
DATA: GIUGNO '95

Rif	Dis.N° Part.N°	Q.ty	Denominazione	Description
-	163645	1	POLMONE E COPERCHIO ALIMENTAZIONE ARIA DX. COMPL.	COMPLETE R.H. AIR FEEDING PLENUM CHAMBER AND COVER
-	163646	1	POLMONE E COPERCHIO ALIMENTAZIONE ARIA SX. COMPL.	COMPLETE L.H. AIR FEEDING PLENUM CHAMBER AND COVER
1	157673	1	POLMONE ALIMENTAZIONE ARIA DX. -Non piu' a ricambio- -Con il complessivo 163645-	R.H. AIR FEEDING PLENUM CHAMBER -Not as spare part now- -With the assembly 163645-
2	157702	1	POLMONE ALIMENTAZIONE ARIA SX. -Non piu' a ricambio- -Con il complessivo 163646-	L.H. AIR FEEDING PLENUM CHAMBER -Not as spare part now- -With the assembly 163646-
3	11500724	6	PRIGIONIERO	STUD
4	13540824	2	PRIGIONIERO	STUD
5	160701	2	MANICOTTO	SLEEVE
6	154916	2	MISURATORE PORTATA ARIA	AIR FLOW METER
7	145643	16	GUARNIZIONE	GASKET
8	145644	32	SEMIANELLO	SEMI-RING
9	145645	16	FASCETTA	CLAMP
10	157582	2	COPERCHIO INFERIORE -Non piu' a ricambio- -Con i complessivi 163645 e 163646-	LOWER COVER -Not as spare part now- -With the assembly 163645 and 163646-
11	14305424	32	VITE	SCREW
12	12601274	32	ROSETTA	WASHER
13	160846	2	RACCORDO	UNION
14	129808	8	RACCORDO	UNION
15	153926	2	RACCORDO	UNION
16	139966	2	MOLLETTA ELASTICA	FLEXIBLE CLIP
17	160014	1	MOLLETTA ELASTICA	FLEXIBLE CLIP
18	160829	2	RACCORDO	UNION
19	154708	2	TUBO GOMMA	RUBBER HOSE
20	130978	2	VALVOLA ANTIEVAPORAZIONE	ANTI-EVAPORATION VALVE
21	160689	1	TUBAZIONE ANTIEVAPORAZIONE A TUBO DA FILTRO VAPORI	ANTI-EVAPORATION PIPE TO PIPE FROM VAPOR FILTER

Rif	Dis.N° Part.N°	Q.ty	Denominazione	Description
22	133956	2	GUARNIZIONE O.R.	O.R. GASKET
23	166438	2	GUARNIZIONE -Con 12 fori di fissaggio-	GASKET -With 12 fixing points-
-	153381	2	GUARNIZIONE -Con 16 fori di fissaggio-	GASKET -With 16 fixing points-
24	147898	2	MANICOTTO	SLEEVE
25	147923	2	FASCETTA	CLAMP
26	10718025	4	DADO	NUT
27	127493	4	ROSETTA	WASHER
28	148835	2	TAMPONE	PAD
29	157808	2	STAFFETTA	BRACKET
30	14496401	2	ROSETTA	WASHER
31	127494	2	ROSETTA	WASHER
32	15896211	2	DADO	NUT
33	150736	2	GUAINA	SHEATH
34	147373	2	REGOLATORE GIRI MINIMO	REGULATOR FOR IDLE ADJUSTMENT
35	157810	2	TUBO	PIPE
36	12180290	4	COLLARE A VITE	SCREW COLLAR
37	13001090	4	COLLARE A VITE	SCREW COLLAR
38	159517	1	PARATIA	SHIELD
39	159519	1	COPERCHIO PARATIA -Vale per vett. con scatola guida meccanica-	SHIELD COVER -Valid for mechanical steering box cars-
40	160475	1	PARATIA DX. PROTEZIONE DEBIMETRO	R.H. SHIELD FOR AIR FLOW METER PROTECTION
-	160476	1	PARATIA SX. PROTEZIONE DEBIMETRO	L.H. SHIELD FOR AIR FLOW METER PROTECTION
41	113647	8	DADO	NUT
42	12638124	8	ROSETTA	WASHER
43	151230	2	DADO	NUT
44	113113	2	ROSETTA	WASHER
45	14496401	2	ROSETTA	WASHER
46	159518	2	DISTANZIALE -Vale per vett. con scatola guida meccanica-	SPACER -Valid for mechanical steering box cars-



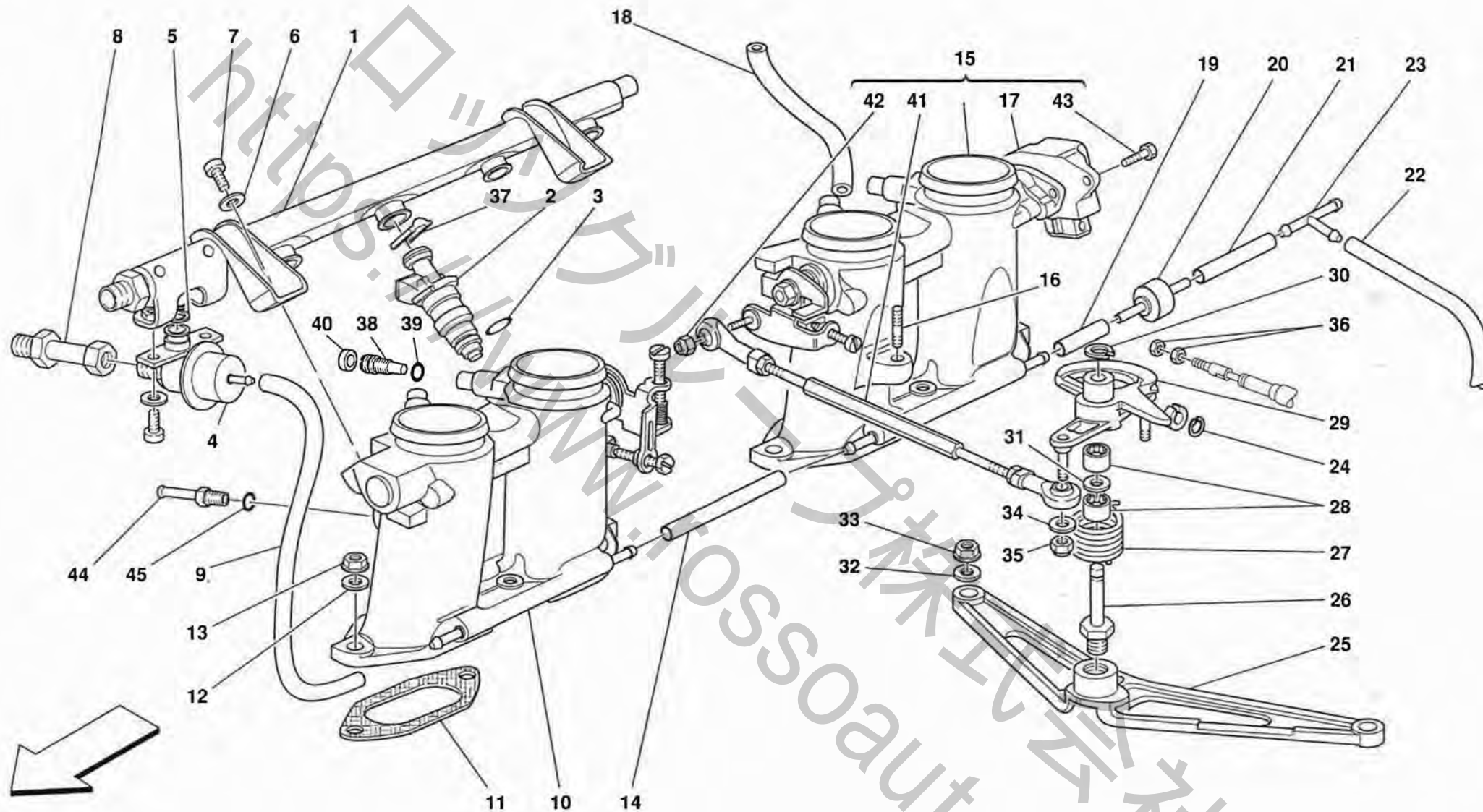
F355

PRESA ARIA
AIR INTAKE

TAV. 13
DATA: GIUGNO '95

-SPIDER - NO USA-CDN-CH-

<i>Rif</i>	<i>Dis.N° Part.N°</i>	<i>Q.ty</i>	<i>Denominazione</i>	<i>Description</i>	<i>Rif</i>	<i>Dis.N° Part.N°</i>	<i>Q.ty</i>	<i>Denominazione</i>	<i>Description</i>
1	154729	1	PRESA ARIA DX. COMPLETA -No per CH-	COMPLETE R.H. AIR INTAKE -Not for CH-	-	157560	1	RISUONATORE SX. -No per Spider-	L.H. DUCT -Not for Spider-
-	165292	1	PRESA ARIA DX. COMPLETA -Vale per CH-	COMPLETE R.H. AIR INTAKE -Valid for CH-	-	165238	1	RISUONATORE SX. -Vale per Spider-	L.H. DUCT -Valid for Spider-
-	154730	1	PRESA ARIA SX. COMPLETA -No per CH-	COMPLETE L.H. AIR INTAKE -Not for CH-	-	165448	1	RISUONATORE SX. -No per USA, CDN e CH-	L.H. DUCT -Not for USA, CDN and CH-
-	165291	1	PRESA ARIA SX. COMPLETA -Vale per CH-	COMPLETE L.H. AIR INTAKE -Valid for CH-	-	165448	1	RISUONATORE SX. -Vale per CH-	L.H. DUCT -Valid for CH-
2	151562	2	FILTRO ARIA	AIR FILTER	10	155061	2	CONDOTTO ASPIRAZIONE -No per Spider-	SUCTION DUCTING -Not for Spider-
3	157757	8	VITE	SCREW	-	165232	2	CONDOTTO ASPIRAZIONE -Vale per Spider-	SUCTION DUCTING -Valid for Spider-
4	142202	6	SUPPORTO ANTIVIBRANTE	ANTI-VIBRATION SUPPORT	11	12575411	2	DADO	NUT
5	12643701	6	ROSETTA	WASHER	12	10519424	2	ROSETTA	WASHER
6	127494	6	ROSETTA	WASHER	13	12574121	2	DADO	NUT
7	15896211	6	DADO	NUT	14	12638124	2	ROSETTA	WASHER
8	159527	2	MANICOTTO	SLEEVE	15	165239	1	PROLUNGA PER RISUONATORE DX. -Vale per Spider-	R.H. EXTENSION FOR DUCT -Valid for Spider-
9	157559	1	RISUONATORE DX. -No per Spider-	R.H. DUCT -Not for Spider-	-	165240	1	PROLUNGA PER RISUONATORE SX. -Vale per Spider-	L.H. EXTENSION FOR DUCT -Valid for Spider-
-	165237	1	RISUONATORE DX. -No per CH-	R.H. DUCT -Not for CH-	-	165240	1	PROLUNGA PER RISUONATORE SX. -Vale per Spider-	L.H. EXTENSION FOR DUCT -Valid for Spider-
-	165447	1	RISUONATORE DX. -Vale per Spider-	R.H. DUCT -Valid for Spider-	16	13836324	4	VITE FISS. PROLUNGA -No per USA, CDN e CH-	EXTENSION FIXING SCREW -Not for USA, CDN and CH-
-	165447	1	RISUONATORE DX. -No per USA, CDN e CH-	R.H. DUCT -Not for USA, CDN and CH-					
-	165447	1	RISUONATORE DX. -Vale per CH-	R.H. DUCT -Valid for CH-					



F355

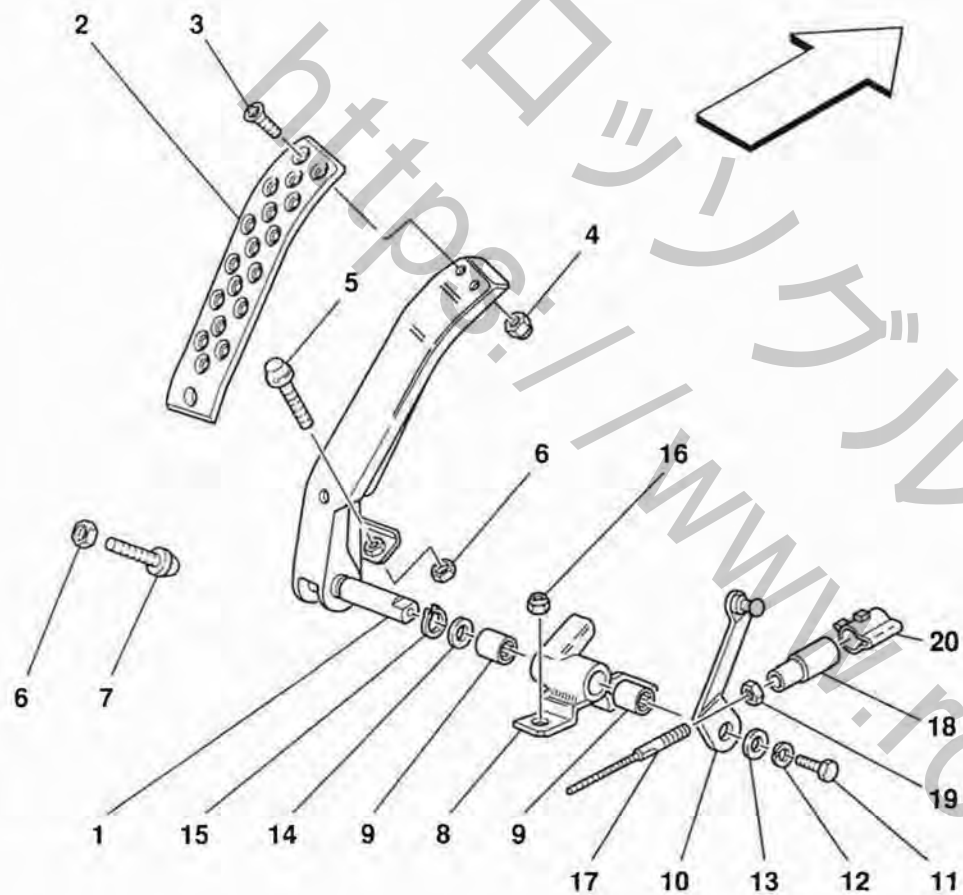
CORPI FARFALLATI E COMANDO ACCELERATORE
THROTTLE HOLDERS AND CONTROLS

TAV. 14

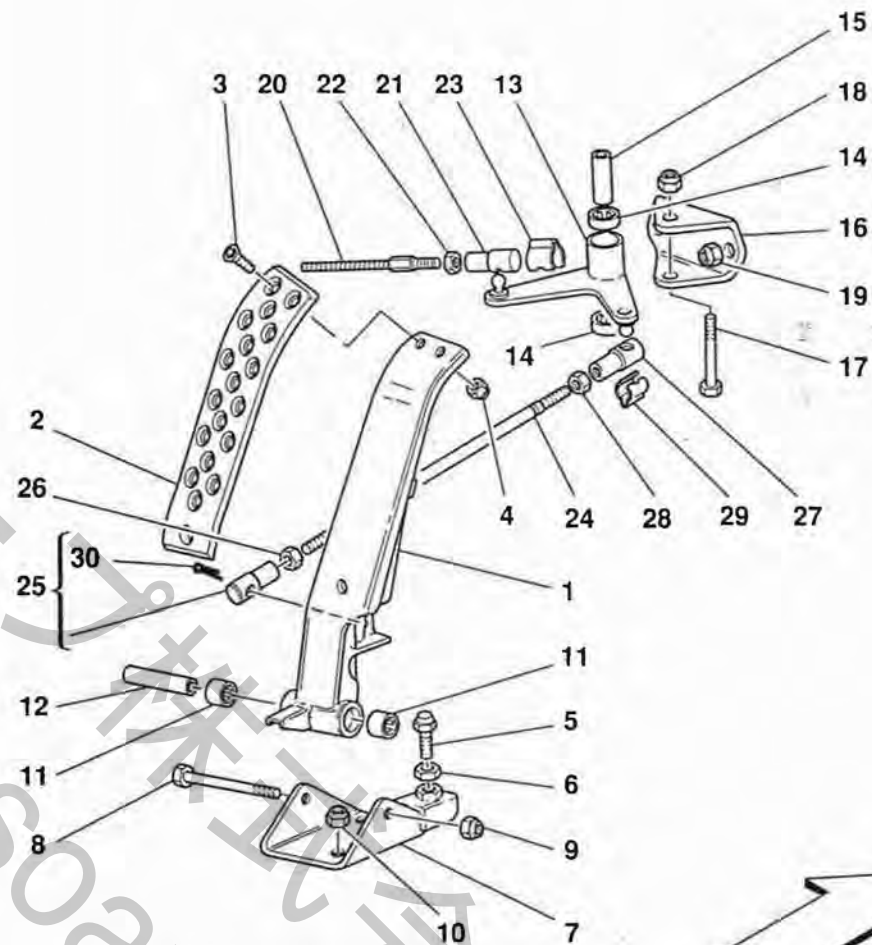
DATA: GIUGNO '95

Rif	Dis.N° Part.N°	Q.ty	Denominazione	Description	Rif	Dis.N° Part.N°	Q.ty	Denominazione	Description
1	150221	1	TUBO DX. PER INIETTORI	R.H. TUBE FOR INJECTORS	17	158170	2	POTENZIOMETRO VALVOLA A FARFALLA	POTENTIOMETER FOR THROTTLE VALVE
-	150220	1	TUBO SX. PER INIETTORI	L.H. TUBE FOR INJECTORS	18	159538	8	TUBO A COPERCHIO INFERIORE ASPIRAZIONE	PIPE TO LOWER SUCTION COVER
2	149316	8	ELETTROINIETTORE	ELECTRO-INJECTOR	19	159541	2	TUBO A VALVOLA DI NON RITORNO	PIPE TO NON-RETURN VALVE
3	133902	8	GUARNIZIONE O.R.	O.R. GASKET	20	62507200	2	VALVOLA DI NON RITORNO	NON-RETURN VALVE
4	148254	2	REGOLATORE DI PRESSIONE	PRESSURE REGULATOR	21	159541	1	TUBO A RACCORDO A TRE VIE	PIPE TO 3-WAY UNION
-	167321	2	REGOLATORE DI PRESSIONE	PRESSURE REGULATOR	22	159542	1	TUBO A RACCORDO A TRE VIE	PIPE TO 3-WAY UNION
			-Vale fino ad esaurimento-	-Valid till stock exhaustion-	23	121793	1	RACCORDO A TRE VIE	3-WAY UNION
			-Vale dopo esaurimento del 148254-	-Valid after stock exhaustion of 148254-	24	11087974	1	ANELLO ELASTICO	FLEXIBLE RING
5	152211	2	ANELLO DI TENUTA	SEAL RING	25	157171	1	SUPPORTO	SUPPORT
6	12601374	4	ROSETTA	WASHER	26	160462	1	PERNO	PIN
7	14306224	4	VITE	SCREW	27	160535	1	MOLLA	SPRING
8	160552	1	PROLUNGA DX.	R.H. EXTENSION	28	132873	2	CUSCINETTO	BEARING
-	163120	1	PROLUNGA FLESSIBILE SX.	L.H. FLEXIBLE EXTENSION	29	161826	1	LEVA RINVIO COMANDO ACCELERATORE	ACCELERATOR CONTROL TRANSMISSION LEVER
			-Vale per vett. con doppia pompa benzina-	-Valid for cars with double fuel pump-	30	11065676	1	ANELLO SEEGER	SEEGER RING
			-Vale per vett. con doppia pompa benzina-	-Valid for cars with double fuel pump-	31	136880	1	DISTANZIALE	SPACER
9	159539	2	TUBO AL COLLETTORE	PIPE TO MANIFOLD	32	12601374	2	ROSETTA	WASHER
10	150526	1	COLLETTORE DI ASPIRAZIONE ANT. DX.	R.H. FRONT SUCTION MANIFOLD	33	101139	2	DADO	NUT
-	150527	1	COLLETTORE DI ASPIRAZIONE ANT. SX.	L.H. FRONT SUCTION MANIFOLD	34	14497801	2	ROSETTA	WASHER
11	152055	8	GUARNIZIONE	GASKET	35	113647	2	DADO	NUT
12	12601374	16	ROSETTA	WASHER	36	10725011	2	DADO	NUT
13	150978	16	DADO	NUT	37	144763	8	MOLLETTA TENUTA INIETTORI	INJECTORS RETAINING CLIP
14	159540	2	TUBO	PIPE	38	166484	8	VITE BY-PASS	BY-PASS SCREW
15	150528	1	COLLETTORE DI ASPIRAZIONE POST. DX. COMPLETO	COMPLETE R.H. REAR SUCTION MANIFOLD	39	166485	8	GUARNIZIONE	GASKET
-	150529	1	COLLETTORE DI ASPIRAZIONE POST. SX. COMPLETO	COMPLETE L.H. REAR SUCTION MANIFOLD	40	166486	8	TAPPO INVIOABILITA'	SAFETY PLUG
16	13516824	2	PRIGIONIERO	STUD	41	166488	2	TIRANTE COMPLETO	COMPLETE TIE ROD
					42	166506	2	DADO FISS. TIRANTE	TIE ROD FIXING NUT
					43	166507	4	VITE FISS. POTENZIOMETRO	POTENTIOMETER FIXING SCREW
					44	168100	8	RACCORDO	UNION
					45	168105	8	GUARNIZIONE O.R.	O.R. GASKET

Tavola 14 - CORPI FARFALLATI E COMANDO ACCELERATORE THROTTLE HOLDERS AND CONTROLS



VALE PER GS - VALID FOR GS



VALE PER GD - VALID FOR GD

F355

PEDALE ACCELERATORE
ACCELERATOR PEDAL

TAV. 15

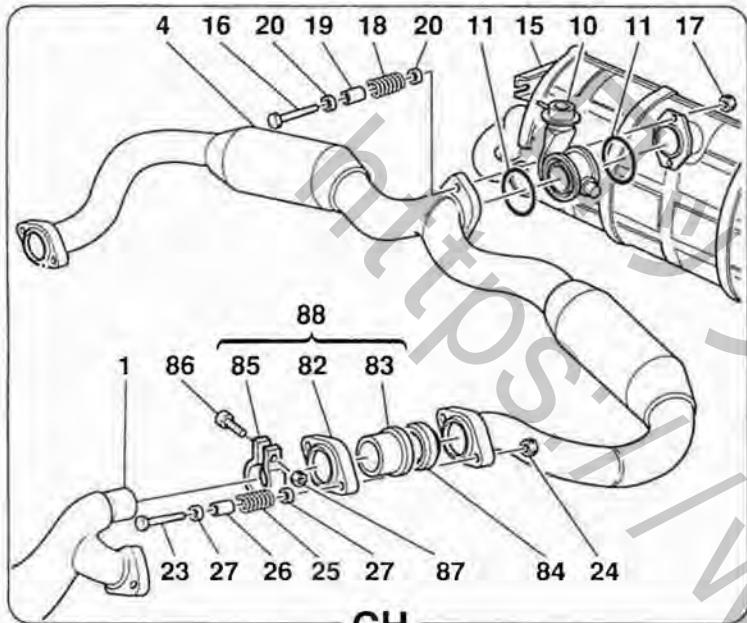
DATA: GIUGNO '95

Rif	Dis.N° Part.N°	Q.ty	Denominazione	Description
			VALE PER GS	VALID FOR GS
1	163173	1	PEDALE ACCELERATORE	ACCELERATOR PEDAL
2	163170	1	PIASTRA FORATA PEDALE ACCELERATORE	ACCELERATOR PEDAL DRILLED PLATE
3	14440734	3	VITE	SCREW
4	14058311	2	DADO	NUT
5	137012	1	PUNTALINO REGISTRO PEDALE	PEDAL ADJUSTMENT PIN
6	16102324	2	DADO	NUT
7	123961	1	PUNTALINO REGISTRO PEDALE	PEDAL ADJUSTMENT PIN
8	151206	1	SUPPORTO PEDALE ACCELERATORE	ACCELERATOR PEDAL SUPPORT
9	101677	2	CUSCINETTO	BEARING
10	145425	1	LEVA COMANDO ACCELERATORE	ACCELERATOR CONTROL LEVER
11	10902224	1	VITE	SCREW
12	127494	1	ROSETTA	WASHER
13	106744	1	ROSETTA	WASHER
14	108576	1	ROSETTA DI RASAMENTO mm. 1,0	SPACER WASHER mm. 1,0
-	105931	1	ROSETTA DI RASAMENTO mm. 0,7	SPACER WASHER mm. 0,7
15	11066076	1	ANELLO SEEGER	SEEGER RING
16	104030	2	DADO	NUT
17	160509	1	CAVO COMANDO ACCELERATORE -Vale fino ad esaurimento-	ACCELERATOR CONTROL CABLE -Valid till stock exhaustion-
-	164441	1	CAVO COMANDO ACCELERATORE -Vale dopo esaurimento del 160509-	ACCELERATOR CONTROL CABLE -Valid after exhaustion of 160509-
18	10123811	1	TESTA GIUNTO SFERICO	BALL JOINT HEAD
19	15896470	1	DADO	NUT
20	10124776	1	FERMAGLIO A MOLLA	CLIP RETAINER

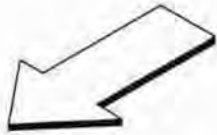
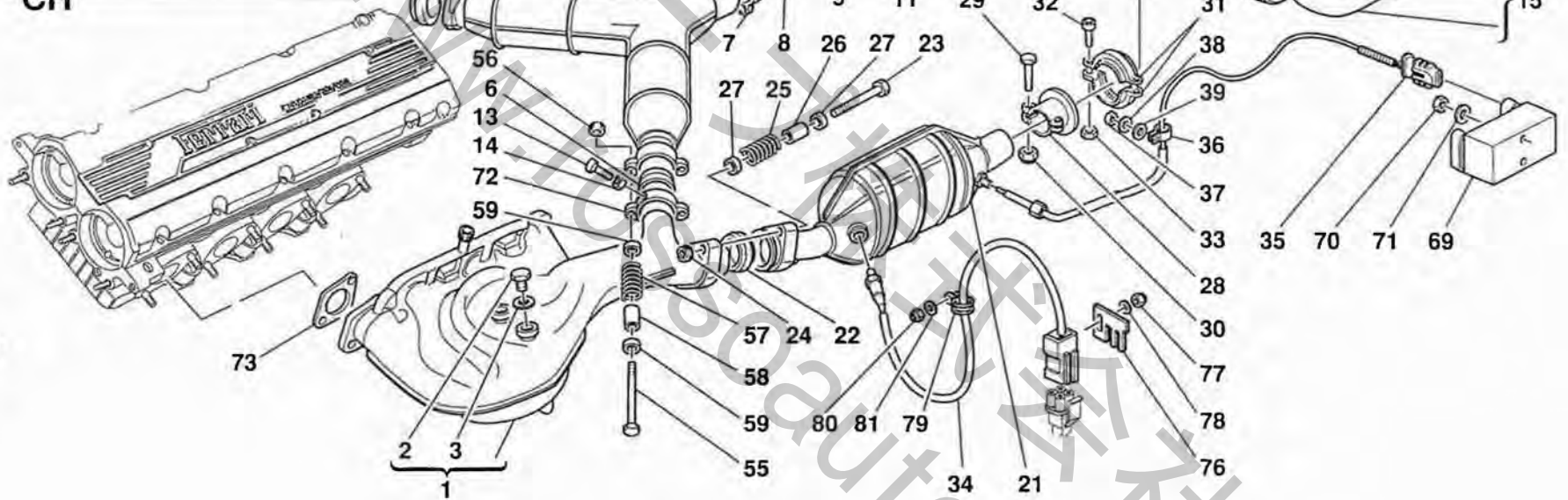
Tavola 15 - PEDALE ACCELERATORE ACCELERATOR PEDAL

Rif	Dis.N° Part.N°	Q.ty	Denominazione	Description
			VALE PER GD	VALID FOR GD
1	163174	1	PEDALE ACCELERATORE	ACCELERATOR PEDAL
2	163170	1	PIASTRA FORATA PEDALE ACCELERATORE	ACCELERATOR PEDAL DRILLED PLATE
3	14440734	3	VITE	SCREW
4	14058311	2	DADO	NUT
5	137012	1	PUNTALINO REGISTRO PEDALE	PEDAL ADJUSTMENT PIN
6	16102324	1	DADO	NUT
7	138204	1	SUPPORTO PEDALE ACCELERATORE	ACCELERATOR PEDAL SUPPORT
8	10903621	1	VITE	SCREW
9	12575411	1	DADO	NUT
10	104030	2	DADO	NUT
11	101677	2	CUSCINETTO	BEARING
12	138219	1	PERNO	PIN
13	138215	1	LEVA COMANDO ACCELERATORE	ACCELERATOR CONTROL LEVER
14	101677	2	CUSCINETTO	BEARING
15	138218	1	PERNO	PIN
16	138217	1	SUPPORTO LEVA	LEVER SUPPORT
17	10903221	1	VITE	SCREW
18	12575411	1	DADO	NUT
19	12574211	2	DADO	NUT
20	159066	1	CAVO COMANDO ACCELERATORE -Vale fino ad esaurimento-	ACCELERATOR CONTROL CABLE -Valid till stock exhaustion-
-	164442	1	CAVO COMANDO ACCELERATORE -Vale dopo esaurimento del 159066-	ACCELERATOR CONTROL CABLE -Valid after stock exhaustion of 159066-
21	10123811	1	TESTA GIUNTO SFERICO	BALL JOINT HEAD
22	15896470	1	DADO	NUT
23	10124776	1	FERMAGLIO A MOLLA	CLIP
24	138214	1	PUNTONE COMANDO ACCELERATORE	ACCELERATOR CONTROL SPRAG
25	105617	1	TESTA GIUNTO SFERICO	BALL JOINT HEAD
26	15896470	1	DADO	NUT
27	10123911	1	TESTA GIUNTO SFERICO	BALL JOINT HEAD
28	105586	1	DADO	NUT
29	10124776	1	FERMAGLIO A MOLLA	CLIP
30	10795101	1	COPIGLIA	SPLIT PIN

Tavola 15



CH



F355

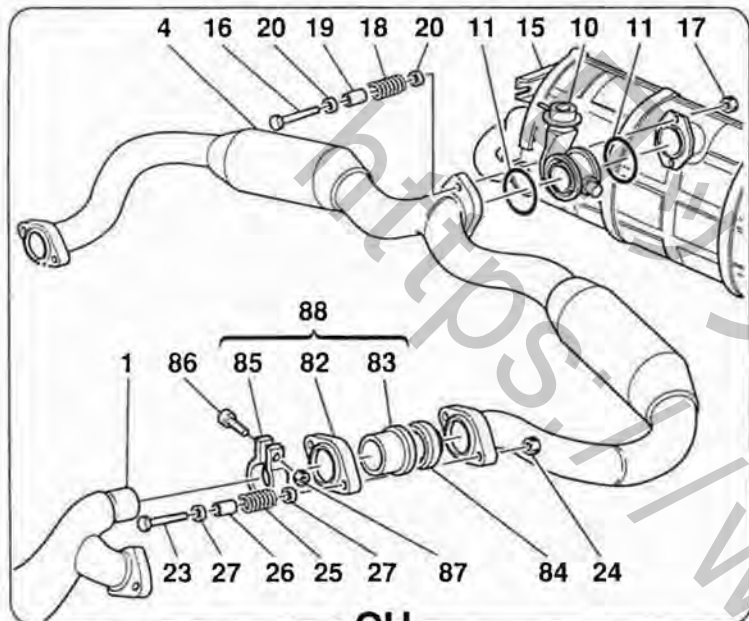
IMPIANTO DI SCARICO
EXHAUST SYSTEM

TAV. 16

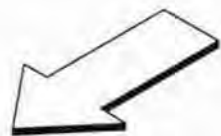
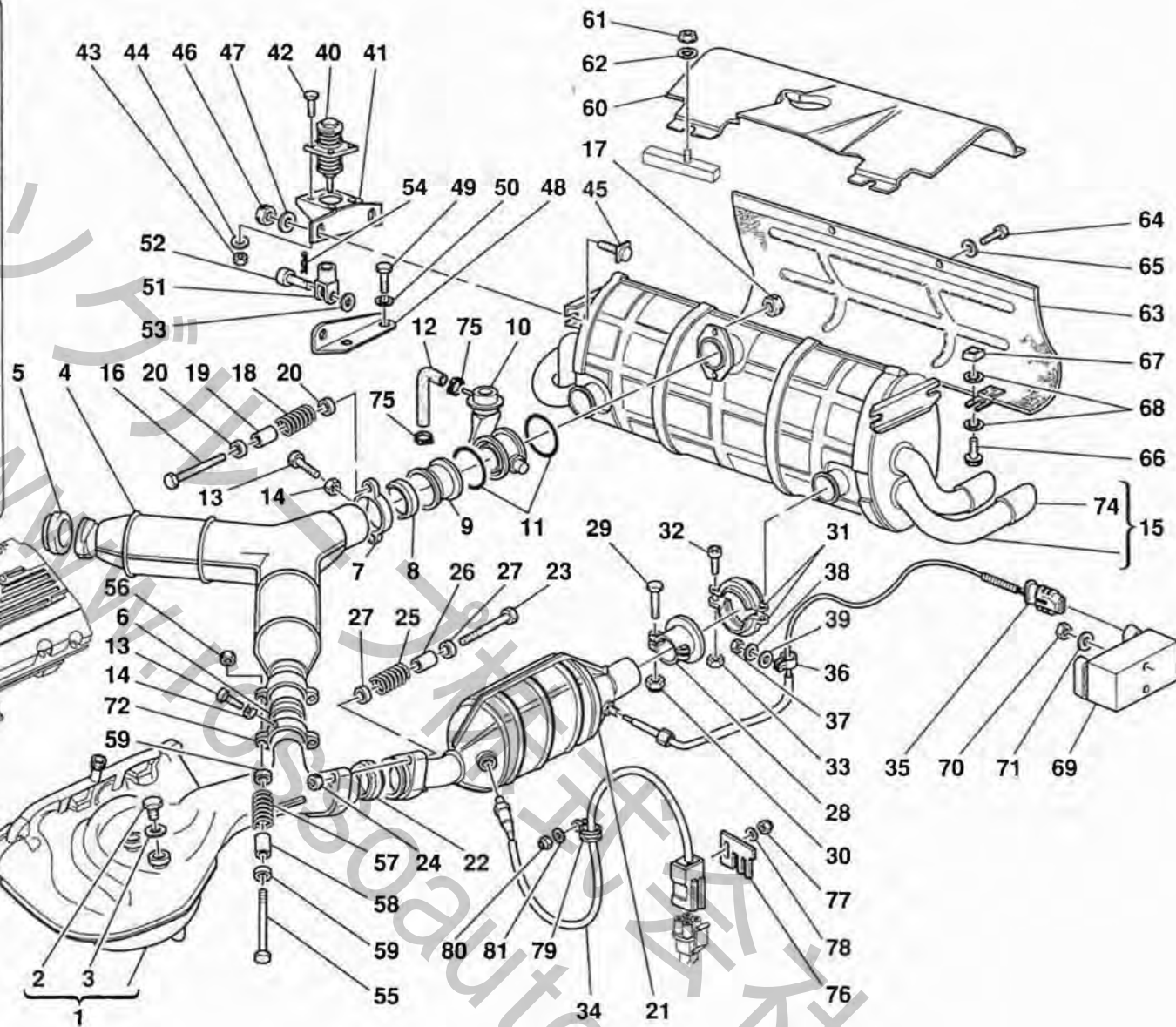
DATA: GIUGNO '95

Rif	Dis. N° Part. N°	Q.ty	Denominazione	Description
1	160010	1	COLLETORE DI SCARICO SX. -No per CH-	L.H. EXHAUST MANIFOLD -Not for CH-
-	164512	1	COLLETORE DI SCARICO SX. -Vale per CH-	L.H. EXHAUST MANIFOLD -Valid for CH-
-	160008	1	COLLETORE DI SCARICO DX. -No per CH-	R.H. EXHAUST MANIFOLD -Not for CH-
-	164511	1	COLLETORE DI SCARICO DX. -Vale per CH-	R.H. EXHAUST MANIFOLD -Valid for CH-
2	110860	8	TAPPO FILETTATO	THREADED PLUG
3	10298460	8	GUARNIZIONE	GASKET
4	159957	1	TUBO DI BY-PASS COMPL. -No per CH, SA e ZA- -Vale fino ad esaurimento-	COMPLETE BY-PASS TUBE -Not for CH, SA and ZA- -Valid till stock exhaustion-
-	166580	1	TUBO DI BY-PASS COMPL. -No per CH, SA e ZA- -Vale dopo esaurimento del 159957-	COMPLETE BY-PASS TUBE -Not for CH, SA and ZA- -Valid after stock exhaustion 159957-
-	164526	1	TUBO DI BY-PASS COMPL. -Vale per CH-	COMPLETE BY-PASS TUBE -Valid for CH-
-	162931	1	TUBO DI BY-PASS COMPL. -Vale per SA e ZA- -Vale fino ad esaurimento-	COMPLETE BY-PASS TUBE -Valid for SA and ZA- -Valid till stock exhaustion-
-	166581	1	TUBO DI BY-PASS COMPL. -Vale per SA e ZA- -Vale dopo esaurimento del 162931-	COMPLETE BY-PASS TUBE -Valid for SA and ZA- -Valid after stock exhaustion of 162931-
5	159914	1	GUARNIZIONE -No per CH-	GASKET -Not for CH-
6	159922	1	GUARNIZIONE -No per CH-	GASKET -Not for CH-
7	159910	1	FLANGIA -No per CH-	FLANGE -Not for CH-
8	159906	1	GUARNIZIONE -No per CH-	GASKET -Not for CH-
9	159937	1	DISTANZIALE -No per CH-	SPACER -Not for CH-
10	155006	1	VALVOLA DI BY-PASS	BY-PASS VALVE
11	119368	2	GUARNIZIONE	GASKET
12	163052	1	TUBO GOMMA A TUBO A MOTORE -No per CH, SA e ZA-	RUBBER HOSE TO PIPE TO ENGINE -Not for CH, SA and ZA-
-	168069	1	TUBO GOMMA A TUBO A MOTORE -Vale per CH-	RUBBER HOSE TO PIPE TO ENGINE -Valid for CH-

Rif	Dis. N° Part. N°	Q.ty	Denominazione	Description
-	148204	1	TUBO GOMMA A TUBO A MOTORE -Vale per SA e ZA-	RUBBER HOSE TO PIPE TO ENGINE -Valid for SA and ZA-
13	161932	2	VITE -No per CH-	SCREW -Not for CH-
14	15896214	2	DADO -No per CH-	NUT -Not for CH-
15	157403	1	SILENZIATORE DI SCARICO COMPL. -No per CH-	COMPLETE EXHAUST SILENCER -Not for CH-
-	165184	1	SILENZIATORE DI SCARICO COMPL. -Vale per CH-	COMPLETE EXHAUST SILENCER -Valid for CH-
16	160050	2	VITE -No per CH-	SCREW -Not for CH-
-	164557	2	VITE -Vale per CH-	SCREW -Valid for CH-
17	118251	2	DADO	NUT
18	111743	2	MOLLA	SPRING
19	114749	2	DISTANZIALE	SPACER
20	156093	4	ROSETTA	WASHER
21	159946	1	CATALIZZATORE SX. -No per USA, CDN, CH, SA e ZA-	R.H. CATALYST -Not for USA, CDN, CH, SA and ZA-
-	163198	1	CATALIZZATORE SX. -Vale per USA, CDN e CH-	R.H. CATALYST -Valid for USA, CDN and CH-
-	163072	1	PRESILENZIATORE DI SCARICO SX. -Vale per SA e ZA-	L.H. EXHAUST PRE-MUFFLER -Valid for SA and ZA-
-	159947	1	CATALIZZATORE DX. -No per USA, CDN, CH, SA e ZA-	R.H. CATALYST -Not for USA, CDN, CH, SA and ZA-
-	163197	1	CATALIZZATORE DX. -Vale per USA, CDN e CH-	R.H. CATALYST -Valid for USA, CDN and CH-
-	163046	1	PRESILENZIATORE DI SCARICO DX. -Vale per SA e ZA-	R.H. EXHAUST PRE-MUFFLER -Valid for SA and ZA-
22	154984	2	GUARNIZIONE	GASKET
23	137431	4	VITE	SCREW
24	114748	4	DADO	NUT
25	111743	4	MOLLA	SPRING
26	114749	4	DISTANZIALE	SPACER
27	112761	8	ROSETTA	WASHER
28	157417	2	FLANGIA	FLANGE
29	162647	4	VITE	SCREW
30	118251	4	DADO	NUT
31	157474	4	FASCETTA	CLAMP
32	167266	4	VITE	SCREW



CH



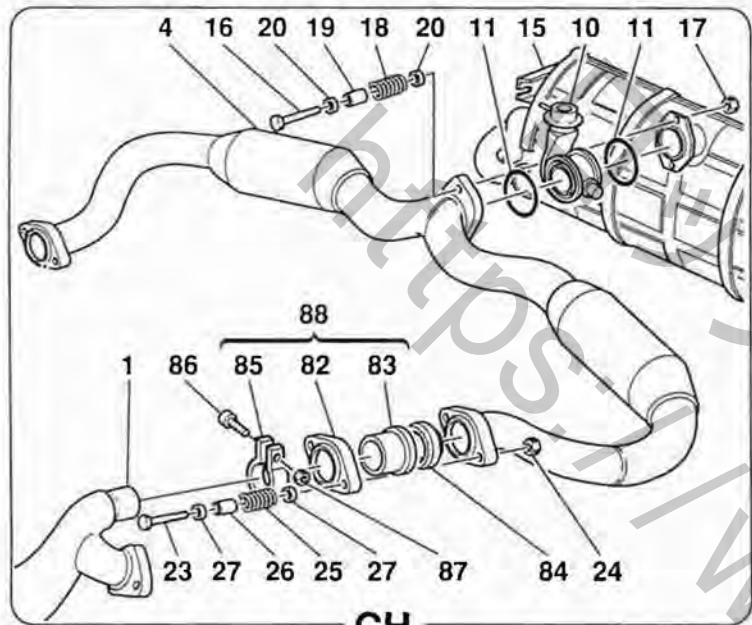
F355

IMPIANTO DI SCARICO
EXHAUST SYSTEM

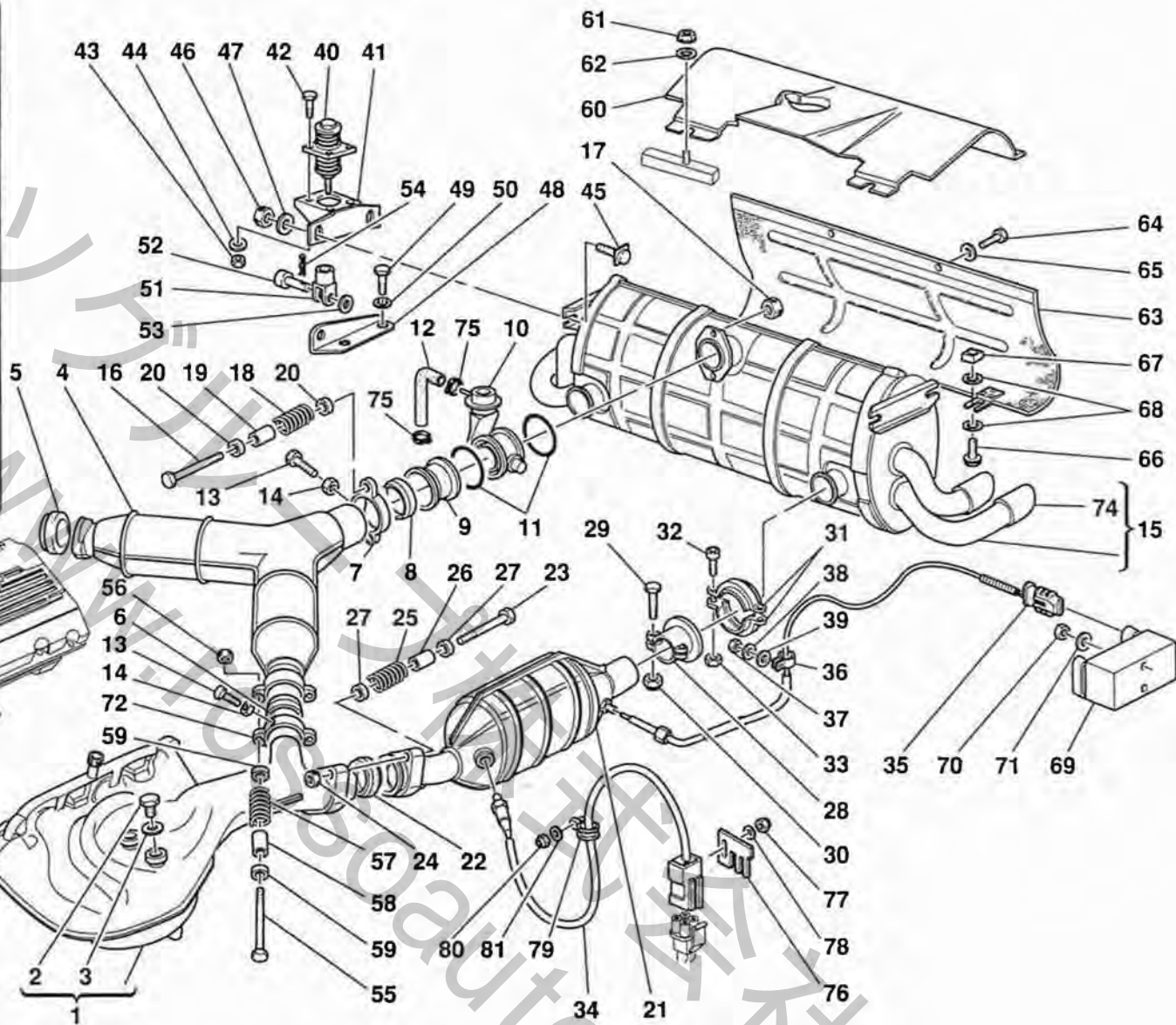
TAV. 16
DATA: GIUGNO '95

Rif	Dis.N° Part.N°	Q.ty	Denominazione	Description
33	131837	4	DADO	NUT
34	155010	2	SONDA LAMBDA	LAMBDA FEELER
			-No per SA e ZA-	-Not for SA and ZA-
	158231	2	SONDA LAMBDA	LAMBDA FEELER
			-Vale per SA e ZA-	-Valid for SA and ZA-
35	157501	2	TERMOCOPPIA	THERMOCOUPLE
36	10420301	2	STAFFETTA	BRACKET
37	15896211	2	DADO	NUT
38	106850	2	ROSETTA	WASHER
39	14496401	2	ROSETTA	WASHER
40	139180	2	TAMPONE	PAD
41	136877	2	STAFFA	BRACKET
42	10977624	8	VITE	SCREW
43	15896470	8	DADO	NUT
44	127493	8	ROSETTA	WASHER
45	137534	4	VITE	SCREW
46	114748	4	DADO	NUT
47	112761	4	ROSETTA	WASHER
48	157343	1	PIASTRINO DX.	R.H. SMALL PLATE
	157344	1	PIASTRINO SX.	L.H. SMALL PLATE
49	16043221	4	VITE	SCREW
50	127496	4	ROSETTA	WASHER
51	10007871	2	FORCELLA	FORK
52	10050811	2	PERNO	PIN
53	10519624	2	ROSETTA	WASHER
54	10734301	2	COPIGLIA	SPLIT PIN
55	16044834	4	VITE	SCREW
56	114748	4	DADO	NUT
57	111743	4	MOLLA	SPRING
58	114749	4	DISTANZIALE	SPACER
59	156093	8	ROSETTA	WASHER
60	64243100	1	PARATIA SUPERIORE RIPARO CALORE	HEAT PROTECTION UPPER SHIELD
			-No per CH-	-Not for CH-
	64611800	1	PARATIA SUPERIORE RIPARO CALORE	HEAT PROTECTION UPPER SHIELD
			-Vale per CH-	-Valid for CH-
61	12574211	5	DADO	NUT
62	10519424	5	ROSETTA	WASHER
63	64296400	1	PARATIA RIPARO CALORE	HEAT PROTECTION SHIELD
			-No per USA e CDN-	-Not for USA and CDN-

Rif	Dis.N° Part.N°	Q.ty	Denominazione	Description
	64608500	1	PARATIA RIPARO CALORE	HEAT PROTECTION SHIELD
			-Vale per USA e CDN fino alla vett. Ass. Nr. 18788-	-Valid for USA and CDN till car Ass. Nr. 18788-
	64296400	1	PARATIA RIPARO CALORE	HEAT PROTECTION SHIELD
			-Vale anche per USA e CDN dalla vett. Ass. Nr. 18789-	-Valid for USA and CDN from car Ass. Nr. 18789-
64	13836511	2	VITE	SCREW
65	12643711	2	ROSETTA	WASHER
66	13836511	2	VITE	SCREW
67	60659100	2	DADO CON GABBIA	NUT WITH CAGE
68	12643711	4	ROSETTA	WASHER
69	160454	2	CENTRALINA CONTROLLO TEMPERATURA CATALIZZATORI	CATALYST TEMPERATURE CONTROL STATION
70	12574011	4	DADO	NUT
71	10519224	4	ROSETTA	WASHER
72	159945	1	FLANGIA SX.	L.H. FLANGE
			-No per CH-	-Not for CH-
73	151064	8	GUARNIZIONE	GASKET
74	159983	4	COPRITERMINALE	TERMINAL COVER
75	157990	2	COLLARE A VITE	SCREW COLLAR
76	155751	2	CLIP	CLIP
77	12574011	2	DADO	NUT
78	10519224	2	ROSETTA	WASHER
79	10441290	4	STAFFETTA CON GUAINA	BRACKET WITH SHEATH
80	12574211	4	DADO	NUT
81	10519424	4	ROSETTA	WASHER
82	136510	2	FLANGIA	FLANGE
			-Vale per CH-	-Valid for CH-
			-Non a ricambio-	-Not as spare part-
			-Con il complessivo 141874-	-With the assembly 141874-
83	141007	2	TRONCHETTO	STUB PIPE
			-Vale per CH-	-Valid for CH-
			-Non a ricambio-	-Not as spare part-
			-Con il complessivo 141874-	-With the assembly 141874-
84	154984	2	GUARNIZIONE	GASKET
			-Vale per CH-	-Valid for CH-
85	141008	2	FASCETTA PER PROLUNGA	CLAMP FOR EXTENSION
			-Vale per CH-	-Valid for CH-
			-Non a ricambio-	-Not as spare part-
			-Con il complessivo 141874-	-With the assembly 141874-



CH



F355

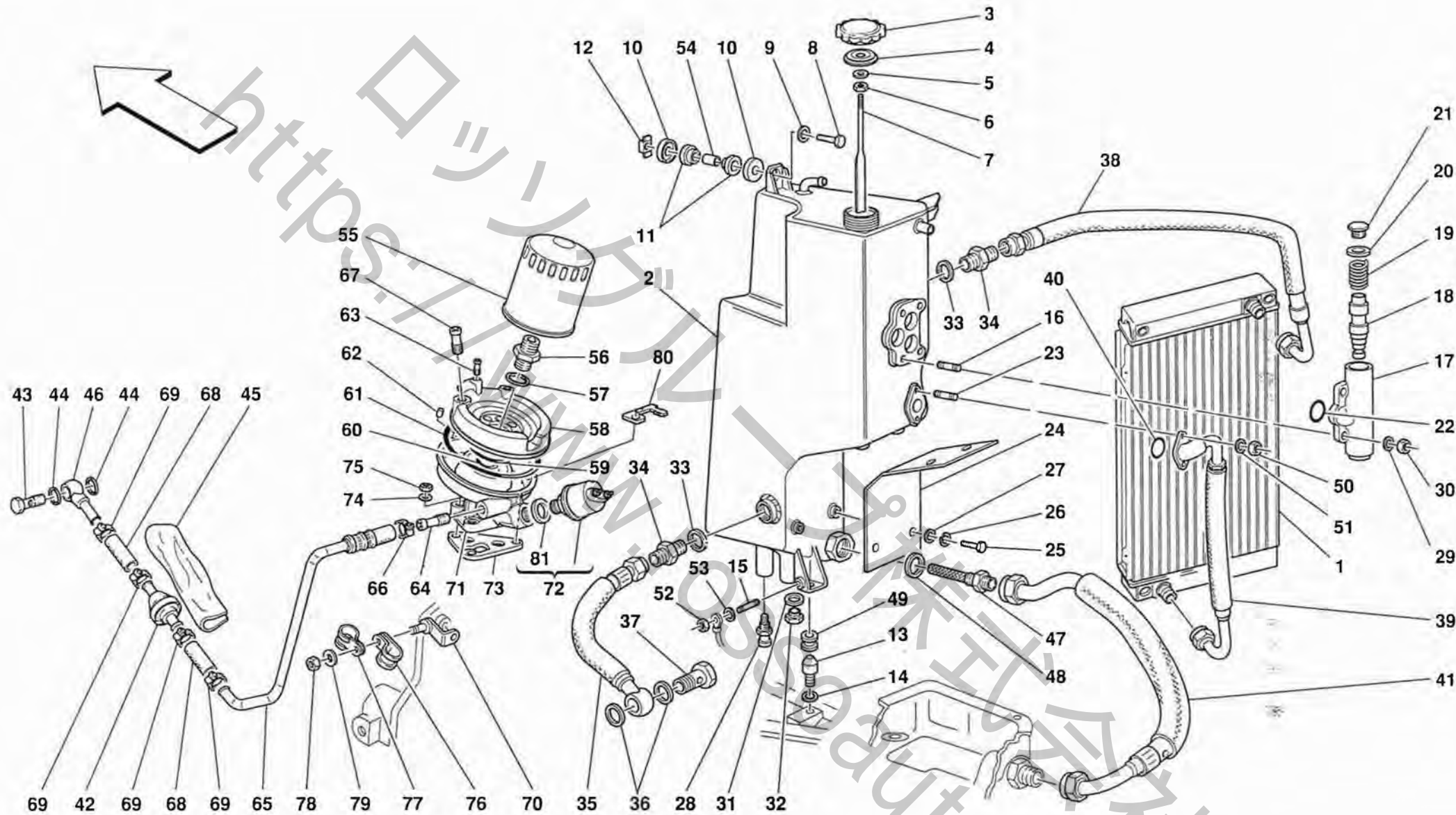
IMPIANTO DI SCARICO

EXHAUST SYSTEM

TAV. 16

DATA: GIUGNO '95

<i>Rif</i>	<i>Dis.N° Part.N°</i>	<i>Q.ty</i>	<i>Denominazione</i>	<i>Description</i>	<i>Rif</i>	<i>Dis.N° Part.N°</i>	<i>Q.ty</i>	<i>Denominazione</i>	<i>Description</i>
86	14433174	2	VITE -Vale per CH-	SCREW -Valid for CH-	88	141874	2	TRONCHETTO FLANGIATO -Vale per CH-	STUB PIPE -Valid for CH-
87	116416	2	DADO -Vale per CH-	NUT -Valid for CH-					



F355

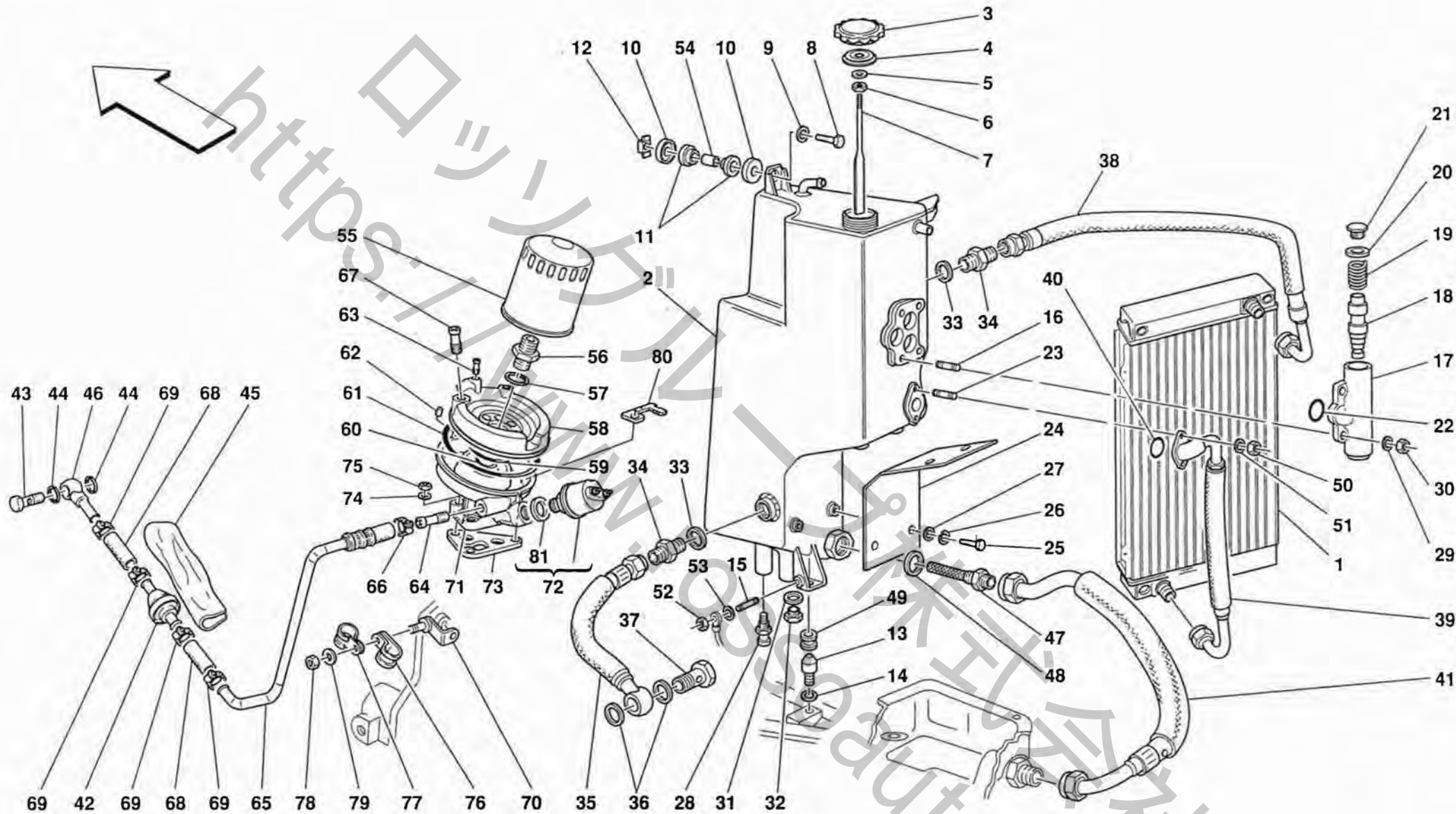
IMPIANTO LUBRIFICAZIONE
LUBRICATION SYSTEM

TAV. 17

DATA: GIUGNO '95

Rif	Dis.№ Part.№	Q.ty	Denominazione	Description
1	152733	1	RADIATORE OLIO	OIL RADIATOR
2	161485	1	SERBATOIO OLIO	OIL TANK
3	145623	1	TAPPO PER SERBATOIO	TANK PLUG
4	145625	1	GUARNIZIONE	GASKET
5	12601274	1	ROSETTA	WASHER
6	15896211	1	DADO	NUT
7	145112	1	ASTA LIVELLO OLIO	OIL LEVEL ROD
8	16043821	2	VITE	SCREW
9	127496	2	ROSETTA	WASHER
10	107979	4	SCODELLINO	CUP
11	107978	4	TAMPONE	PAD
12	141530	2	DADO CON GABBIA	NUT WITH CAGE
13	125708	1	PERNO DI SUPPORTO	SUPPORT PIN
14	108242	1	ROSETTA	WASHER
15	11000824	1	PRIGIONIERO	STUD
16	13541024	4	PRIGIONIERO	STUD
17	160759	1	CORPO VALVOLA TERMOSTATICA	THERMOSTAT VALVE BODY
18	157413	1	VALVOLA TERMOSTATICA	THERMOSTAT VALVE
-	163951	1	VALVOLA TERMOSTATICA -Vale fino ad esaurimento-	THERMOSTAT VALVE -Valid till stock exhaustion-
-	163951	1	VALVOLA TERMOSTATICA -Vale dopo esaurimento del 157413-	THERMOSTAT VALVE -Valid after stock exhaustion of 157413-
19	136867	1	MOLLA	SPRING
20	10303460	1	GUARNIZIONE	GASKET
21	136868	1	TAPPO	PLUG
22	139934	3	GUARNIZIONE O.R.	GASKET O.R.
23	13540824	2	PRIGIONIERO	STUD
24	145045	1	PARATIA ANTICALORE	ANTI-HEAT SHIELD
25	10977524	4	VITE	SCREW
26	127493	4	ROSETTA	WASHER
27	13550114	4	ROSETTA	WASHER
28	107576	1	TERMISTORE OLIO	OIL THERMISTOR
-	148676	1	TERMISTORE OLIO -No per AUS-	OIL THERMISTOR -Not for AUS-
-	148676	1	TERMISTORE OLIO -Vale per AUS-	OIL THERMISTOR -Valid for AUS-
29	10519424	4	ROSETTA	WASHER
30	102741	4	DADO	NUT
31	10257060	1	GUARNIZIONE	GASKET
32	10300711	1	TAPPO	PLUG
33	144485	2	GUARNIZIONE	GASKET
34	145085	2	RACCORDO	UNION

Rif	Dis.№ Part.№	Q.ty	Denominazione	Description
35	145040	1	TUBO DAL MOTORE AL SERBATOIO	HOSE FROM ENGINE TO RESERVOIR
36	144487	2	GUARNIZIONE	GASKET
37	129809	1	RACCORDO BOCCHETTONE	UNION
38	141820	1	TUBO DAL SERBATOIO AL RADIATORE	HOSE FROM RESERVOIR TO RADIATOR
39	145041	1	TUBO DAL RADIATORE AL SERBATOIO	HOSE FROM RADIATOR TO RESERVOIR
40	139934	1	GUARNIZIONE O.R.	O.R. GASKET
41	145039	1	TUBO DA SERBATOIO A POMPA OLIO	HOSE FROM RESERVOIR TO OIL PUMP
42	161138	1	VALVOLA VENTILAZIONE UNIDIREZIONALE	ONE-WAY VALVE
-	164548	1	VALVOLA VENTILAZIONE UNIDIREZIONALE -Vale fino ad esaurimento-	ONE-WAY VALVE -Valid till stock exhaustion-
-	164548	1	VALVOLA VENTILAZIONE UNIDIREZIONALE -Vale dopo esaurimento del 161138-	ONE-WAY VALVE -Valid after stock exhaustion of 161138-
43	153419	1	RACCORDO BOCCHETTONE	UNION
44	10257060	2	GUARNIZIONE	GASKET
45	161353	1	PROTEZIONE	PROTECTION
46	161065	1	RACCORDO ORIENTABILE	ORIENTABLE UNION
47	145086	1	ASSIEME FILTRO	FILTER ASSEMBLY
48	145191	1	GUARNIZIONE	GASKET
49	103516	1	ANELLO PASSAFILO	CABLE GROMMET
50	102741	2	DADO	NUT
51	10519424	2	ROSETTA	WASHER
52	15896470	1	DADO	NUT
53	149951	1	ROSETTA	WASHER
54	107980	2	DISTANZIALE	SPACER
55	130623	1	CARTUCCIA FILTRO OLIO	OIL FILTER CARTRIDGE
56	157679	1	RACCORDO	UNION
57	10246160	1	GUARNIZIONE	GASKET
58	157678	1	COPERCHIO FILTRO OLIO	OIL FILTER COVER
59	157869	1	GUARNIZIONE O.R.	O.R. GASKET
60	157872	1	GUARNIZIONE O.R.	O.R. GASKET
61	157870	1	GUARNIZIONE O.R.	O.R. GASKET
62	109657	1	GRANO CENTRAGGIO	CENTERING DOWEL
63	117715	1	RACCORDO	UNION
64	154525	1	RACCORDO	UNION
65	161061	1	TUBO SCARICO OLIO	OIL EXHAUST TUBE



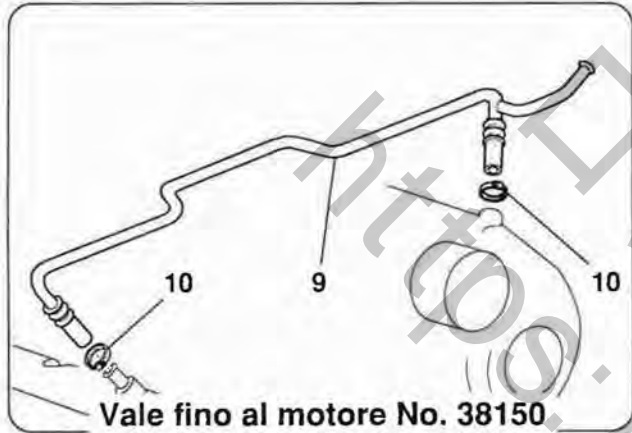
F355

IMPIANTO LUBRIFICAZIONE
LUBRICATION SYSTEM

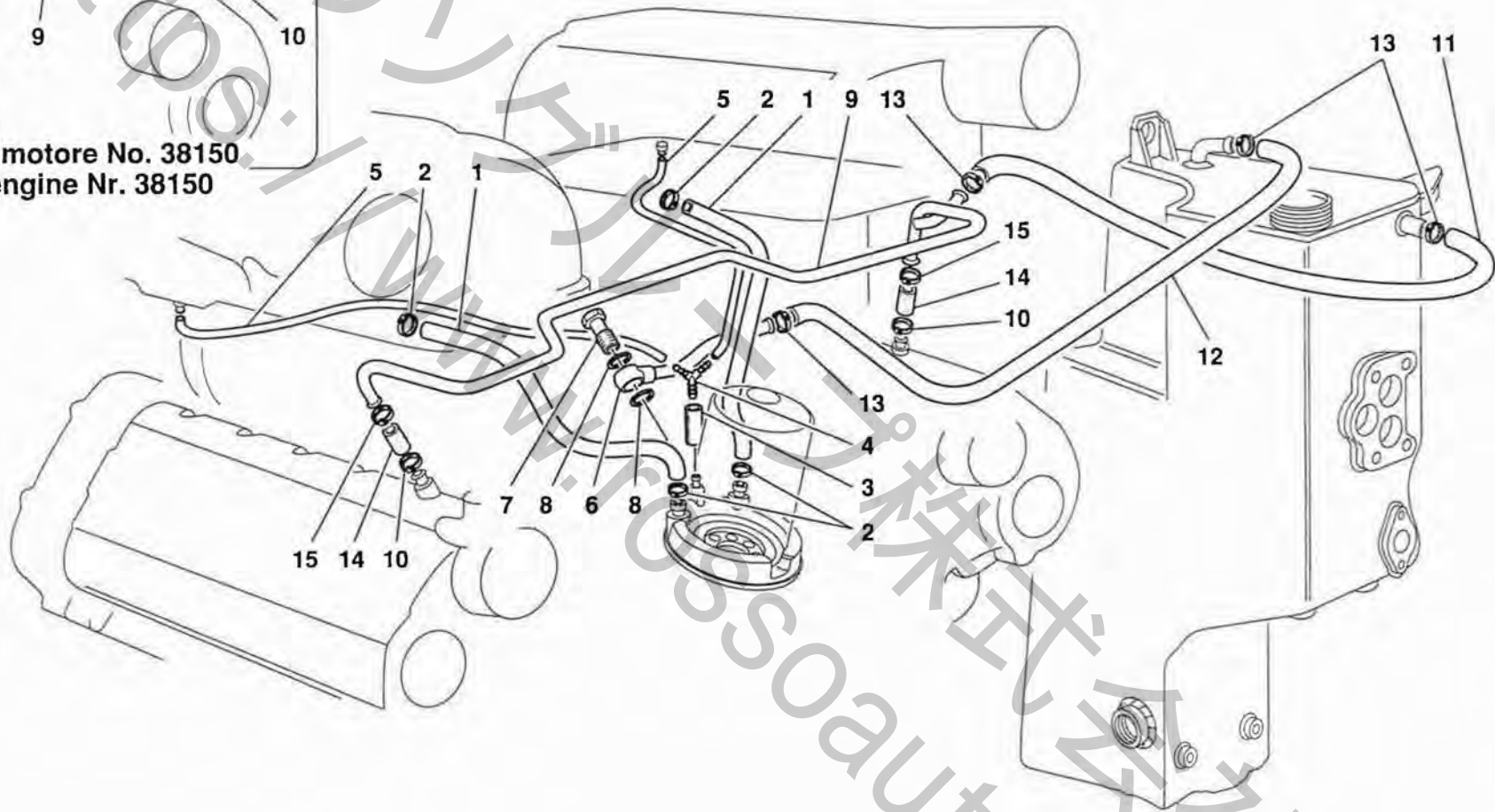
TAV. 17

DATA: GIUGNO '95

<i>Rif</i>	<i>Dis.N° Part.N°</i>	<i>Q.ty</i>	<i>Denominazione</i>	<i>Description</i>	<i>Rif</i>	<i>Dis.N° Part.N°</i>	<i>Q.ty</i>	<i>Denominazione</i>	<i>Description</i>
66	12179690	1	COLLARE A VITE	SCREW COLLAR	74	12601374	3	ROSETTA	WASHER
67	157681	2	RACCORDO	UNION	75	104030	3	DADO	NUT
68	161141	2	TUBO GOMMA	RUBBER HOSE	76	10441890	1	STAFFETTA CON GUAINA	BRACKET WITH SHEATH
69	13000190	4	COLLARE A VITE	SCREW COLLAR	77	10441390	1	STAFFETTA CON GUAINA	BRACKET WITH SHEATH
70	149694	1	STAFFETTA FISSAGGIO TUBI	PIPE FIXING BRACKET	78	102741	1	DADO	NUT
71	157677	1	BASE FILTRO OLIO	OIL FILTER BASE-PLATE	79	12601274	1	ROSETTA	WASHER
72	135940	1	TRASMETTITORE DI PRESSIONE COMPLETO	COMPLETE OIL PRESSURE TRANSMITTER	80	162606	1	CLIP	CLIP
73	137579	1	GUARNIZIONE	GASKET	81	10259960	1	GUARNIZIONE	-Valid from engine Nr. 38322- GASKET



Vale fino al motore No. 38150
Valid till engine Nr. 38150



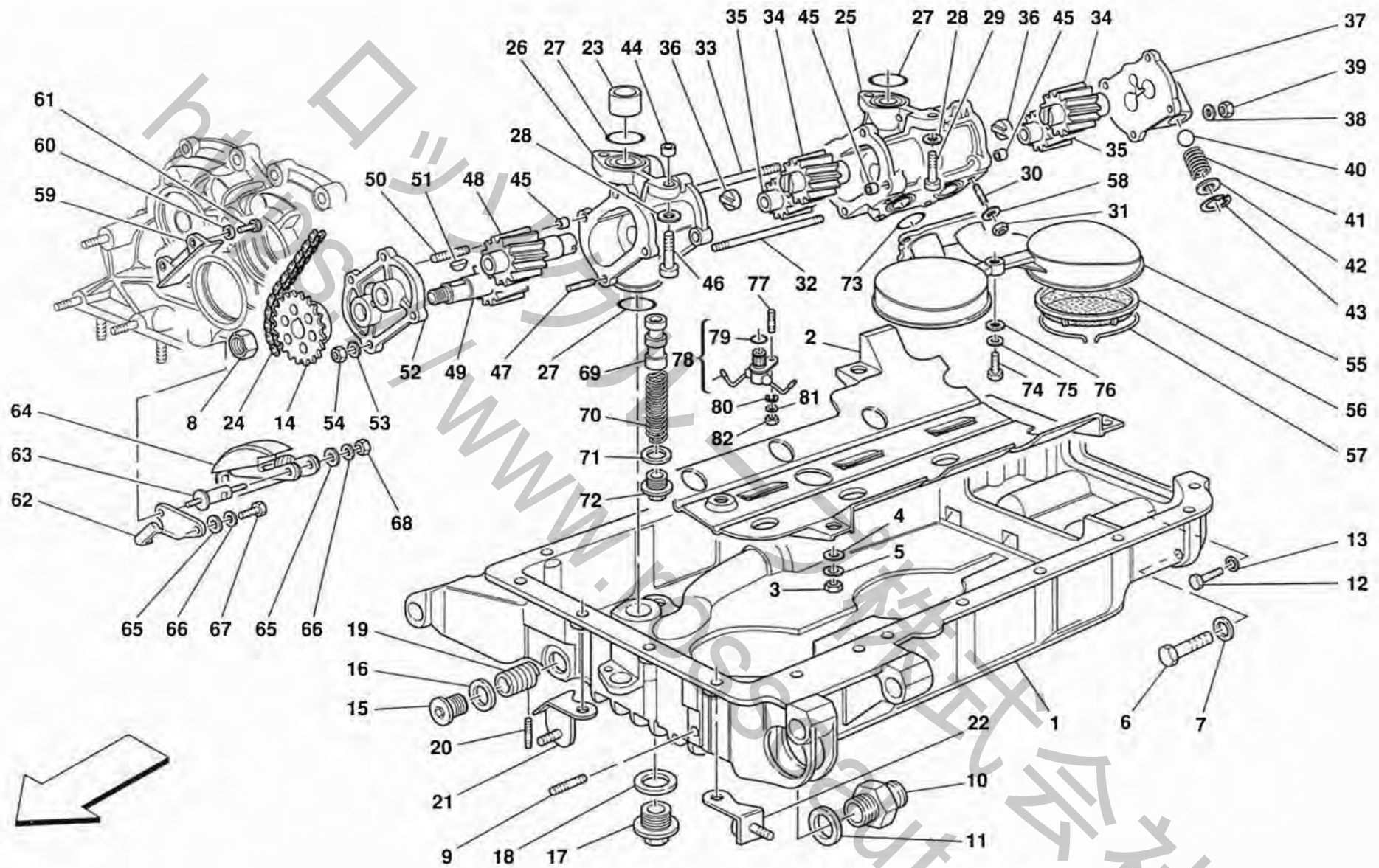
F355

RICICLO VAPORI OLIO
BLOW-BY SYSTEM

TAV. 18

DATA: GIUGNO '95

<i>Rif</i>	<i>Dis.N° Part.N°</i>	<i>Q.ty</i>	<i>Denominazione</i>	<i>Description</i>	<i>Rif</i>	<i>Dis.N° Part.N°</i>	<i>Q.ty</i>	<i>Denominazione</i>	<i>Description</i>
1	160932	1	TUBO SCARICO OLIO DX.	R.H. OIL EXHAUST TUBE	-	163622	1	TUBO SFIATO	BREATHER PIPE
-	160931	1	TUBO SCARICO OLIO SX.	L.H. OIL EXHAUST TUBE				-Vale dal motore No. 38151-	-Valid from engine Nr. 38151-
2	12179690	4	COLLARE A VITE	SCREW COLLAR	10	12179690	2	COLLARE A VITE	SCREW COLLAR
3	137904	1	TUBO DA FILTRO A RACCORDO A TRE VIE	PIPE FROM FILTER TO 3-WAY UNION	11	160017	1	TUBO DA TRE VIE A SERBATOIO	PIPE FROM 3-WAY TO RESERVOIR
4	161816	1	RACCORDO A TRE VIE	3-WAY UNION	12	160018	1	TUBO DA CORPO SFIATO A SERBATOIO	PIPE FROM BREATHER BODY TO RESERVOIR
5	126342	2	TUBO GOMMA DA RACCORDO A RACCORDO SU CAPACITA'	RUBBER HOSE FROM UNION TO AIR CAPACITY UNION	13	12179790	4	COLLARE A VITE	SCREW COLLAR
6	159409	1	TUBO ORIENTABILE	SWINGING PIPE	14	163899	2	TUBO GOMMA	RUBBER HOSE
7	159424	1	RACCORDO BOCCHETTONE	UNION				-Vale dal motore No. 38151-	-Valid from engine Nr. 38151-
8	10257060	2	GUARNIZIONE	GASKET	15	12179690	2	COLLARE A VITE	SCREW COLLAR
9	157880	1	TUBO SFIATO	BREATHER PIPE				-Vale dal motore No. 38151-	-Valid from engine Nr. 38151-
			-Vale fino al motore No. 38150-	-Valid till engine Nr. 38150-					



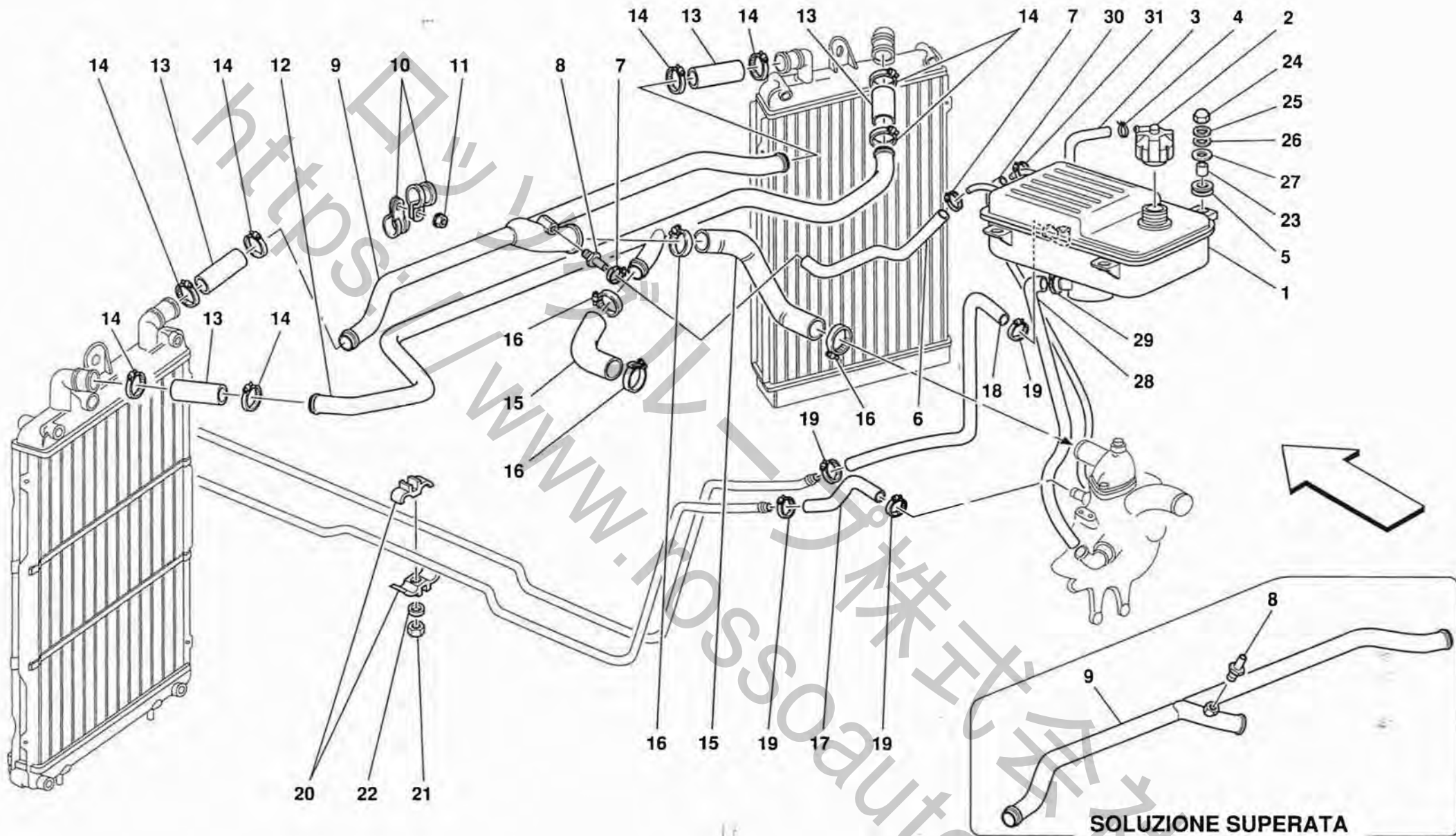
F355

POMPE E COPPA OLIO
PUMPS AND OIL SUMP

TAV. 19

DATA: GIUGNO '95

<i>Rif</i>	<i>Dis... Part.N°</i>	<i>Q.ty</i>	<i>Denominazione</i>	<i>Description</i>	<i>Rif</i>	<i>Dis.N° Part.N°</i>	<i>Q.ty</i>	<i>Denominazione</i>	<i>Description</i>
71	10257460	1	GUARNIZIONE	GASKET	77	11000824	4	PRIGIONIERO	STUD
72	129322	1	TAPPO VALVOLA PRESSIONE	PRESSURE VALVE CAP	78	158245	4	RACCORDO MULTIPLO COMPL.	COMPLETE MULTIPLE UNION
73	133938	2	GUARNIZIONE O.R.	O.R. GASKET	79	137192	4	GUARNIZIONE O.R.	O.R. GASKET
74	10902724	1	VITE	SCREW	80	11199274	4	ROSETTA	WASHER
75	127494	1	ROSETTA	WASHER	81	10519377	4	ROSETTA	WASHER
76	12644424	1	ROSETTA	WASHER	82	15896470	4	DADO	NUT

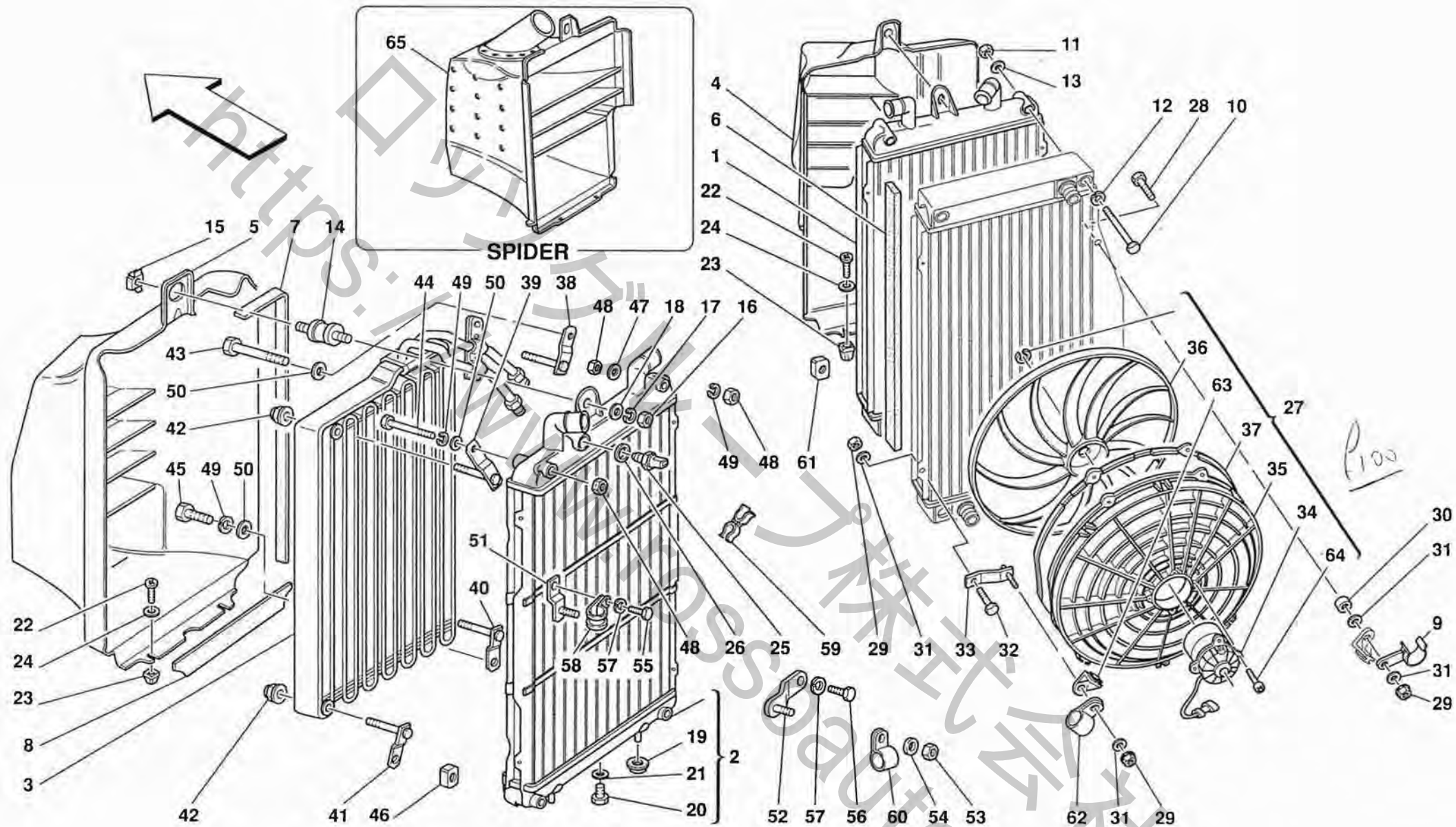


F355

IMPIANTO RAFFREDDAMENTO - NOURICE
 COOLING SYSTEM - NOURICE

TAV. 20
 DATA: GIUGNO '95

Rif	Dis.N° Part.N°	Q.ty	Denominazione	Description	Rif	Dis.N° Part.N°	Q.ty	Denominazione	Description
1	153447	1	NOURICE PER RADIATORE	TANK FOR RADIATOR	16	12177090	4	COLLARE A VITE	SCREW COLLAR
2	145030	1	TAPPO PER NOURICE	TANK PLUG	17	64612000	1	TUBO GOMMA MANDATA DA	DELIVERY RUBBER HOSE FROM
3	156082	1	TUBO SFIATO	VENT PIPE				POMPA A TUBO SOTTOPIANALE	PUMP TO UNDERFLOOR PIPE
4	13423171	1	COLLARE ELASTICO	ELASTIC COLLAR	18	64328400	1	MANICOTTO RITORNO DA TUBO	RETURN SLEEVE FROM
5	103549	4	ANELLO PASSAFILO	CABLE GROMMET				SOTTOPIANALE A NOURICE	UNDERFLOOR PIPE TO TANK
6	161609	1	TUBO DA NOURICE A TUBO MANDATA RADIATORI	PIPE FROM TANK TO RADIATORS DELIVERY PIPE	19	13000390	4	COLLARE A VITE	SCREW COLLAR
7	12179690	2	COLLARE A VITE	SCREW COLLAR	20	62658800	8	MOLLETTA	CLIP
8	157160	1	RACCORDO	UNION	21	12574211	4	DADO	NUT
9	158248	1	TUBO MANDATA RADIATORI	RADIATORS DELIVERY PIPE	22	12639724	4	ROSETTA	WASHER
			-Vale fino ad esaurimento-	-Valid till stock exhaustion-	23	149707	4	DISTANZIALE	SPACER
	167024	1	TUBO MANDATA RADIATORI	RADIATORS DELIVERY PIPE	24	151230	4	DADO	NUT
			-Vale dopo esaurimento del 158248-	-Valid after stock exhaustion of 158248-	25	113113	4	ROSETTA	WASHER
10	106195	4	STAFFETTA CON GUAINA	BRACKET WITH SHEATH	26	14496401	4	ROSETTA	WASHER
11	12575411	2	DADO	NUT	27	12643701	4	ROSETTA	WASHER
12	158249	1	TUBO RITORNO RADIATORI	RADIATORS RETURN PIPE	28	160416	1	TUBO GOMMA DA MOTORE A NOURICE	RUBBER HOSE FROM ENGINE TO TANK
13	158310	4	TUBO GOMMA	RUBBER HOSE	29	13000490	1	COLLARE A VITE	SCREW COLLAR
14	12177090	8	COLLARE A VITE	SCREW COLLAR	30	161610	1	TUBO GOMMA DA NOURICE A POMPA ACQUA	RUBBER HOSE FROM TANK TO WATER PUMP
15	164417	2	TUBO GOMMA	RUBBER HOSE	31	12179690	2	COLLARE A VITE	SCREW COLLAR



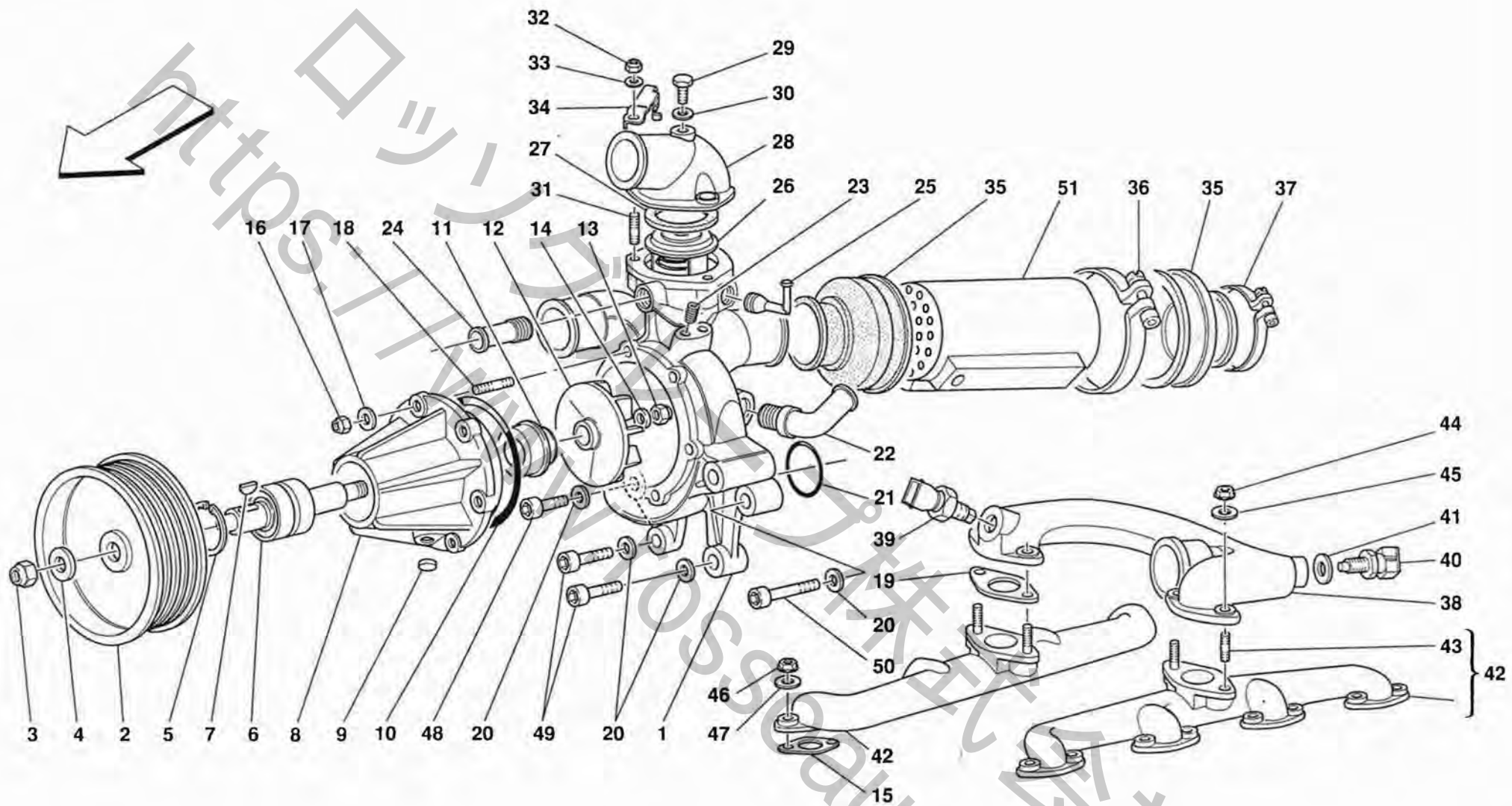
F355

RADIATORI IMPIANTO RAFFREDDAMENTO
COOLING SYSTEM RADIATORS

TAV. 21

DATA: GIUGNO '95

Rif	Dis. Part.N°	Q.ty	Denominazione	Description	Rif	Dis. Part.N°	Q.ty	Denominazione	Description
1	157589	1	RADIATORE ACQUA DX.	WATER R.H. RADIATOR	31	12644424	8	ROSETTA	WASHER
2	157590	1	RADIATORE ACQUA SX.	WATER L.H. RADIATOR	32	10902024	2	VITE	SCREW
3	62963600	1	CONDENSATORE A.C.	A.C. CONDENSER	33	162422	2	PIASTRINO	SMALL PLATE
4	64243900	1	CONVOGLIATORE ARIA DX.	R.H. AIR INLET	34	153174	2	MOTORINO ELETTOVENTILATORE	ELECTRIC FAN MOTOR
			-No per Spider-	-Not for Spider-	35	152920	2	CONVOGLIATORE ARIA	AIR CONVEYOR
5	64244000	1	CONVOGLIATORE ARIA SX.	L.H. AIR INLET	36	164096	2	VENTOLA	BLOWER
			-No per Spider-	-Not for Spider-	37	164097	2	BORDO IN GOMMA	RUBBER EDGE
6	158243	2	GUARNIZIONE	GASKET	38	64303200	1	STAFFA SUPERIORE DX.	R.H. UPPER BRACKET
7	64244100	1	GUARNIZIONE LATERALE	LATERAL GASKET	39	64255200	1	STAFFA SUPERIORE SX.	L.H. UPPER BRACKET
			-L. mm. 540-	-L. mm. 540-	40	64306300	1	STAFFA INFERIORE DX.	R.H. LOWER BRACKET
			-Non piu' utilizzata-	-No more used-	41	64255600	1	STAFFA INFERIORE SX.	L.H. LOWER BRACKET
	64530900	3	GUARNIZIONE LATERALE	LATERAL GASKET	42	14058411	4	DADO	NUT
			-L. mm. 600-	-L. mm. 600-	43	16044621	1	VITE	SCREW
			-Non piu' utilizzata-	-No more used-	44	16044421	1	VITE	SCREW
8	63370900	2	GUARNIZIONE INFERIORE	LOWER GASKET	45	16043324	2	VITE	SCREW
			-Non piu' utilizzata-	-No more used-	46	14095511	2	DADO	NUT
9	162751	1	MOLLETTA ELASTICA	FLEXIBLE CLIP	47	64322200	1	ROSETTA	WASHER
10	16045624	4	VITE	SCREW	48	133989	3	DADO	NUT
11	133989	2	DADO	NUT	49	127496	4	ROSETTA	WASHER
12	127496	4	ROSETTA	WASHER	50	14496524	4	ROSETTA	WASHER
13	14496524	4	ROSETTA	WASHER	51	162423	2	PIASTRINO	SMALL PLATE
14	157650	2	TAMPONE	PAD	52	162422	2	PIASTRINO	SMALL PLATE
15	14074890	2	DADO CON GABBIA	NUT WITH CAGE	53	102741	4	DADO	NUT
16	133989	2	DADO	NUT	54	12644424	4	ROSETTA	WASHER
17	127496	2	ROSETTA	WASHER	55	10902024	2	VITE	SCREW
18	124338	2	ROSETTA	WASHER	56	10902124	2	VITE	SCREW
19	137624	4	TAMPONE ANTIVIBRANTE	ANTIVIBRATION PAD	57	127494	4	ROSETTA	WASHER
20	159923	2	TAPPO FILETTATO	THREADED PLUG	58	10441490	2	STAFFETTA CON GUAINA	BRACKET WITH SHEATH
21	140150	2	GUARNIZIONE O.R.	O.R. GASKET	59	164374	1	MOLLETTA ELASTICA	FLEXIBLE CLIP
22	15903901	10	VITE	SCREW	60	10418301	1	STAFFETTA	BRACKET
23	14202580	10	BLOCCETTO	BLOCK	61	14095511	2	DADO	NUT
24	12638124	10	ROSETTA	WASHER	62	10418301	1	STAFFETTA	BRACKET
25	158655	1	TERMOCONTATTO	TEMPERATURE SWITCH	63	166548	8	ORECCHIETTA	SUPPORT
26	101508	1	GUARNIZIONE	GASKET	64	166550	8	VITE	SCREW
27	163996	2	ELETTOVENTILATORE COMPLETO	COMPLETE ELECTROFAN	65	64525800	1	CONVOGLIATORE ARIA SX.	L.H. AIR INLET
28	10902724	2	VITE	SCREW				-Vale per Spider-	-Valid for Spider-
29	102741	6	DADO	NUT				CONVOGLIATORE ARIA DX.	R.H. AIR INLET
30	162424	2	DISTANZIALE	SPACER				-Vale per Spider-	-Valid for Spider-



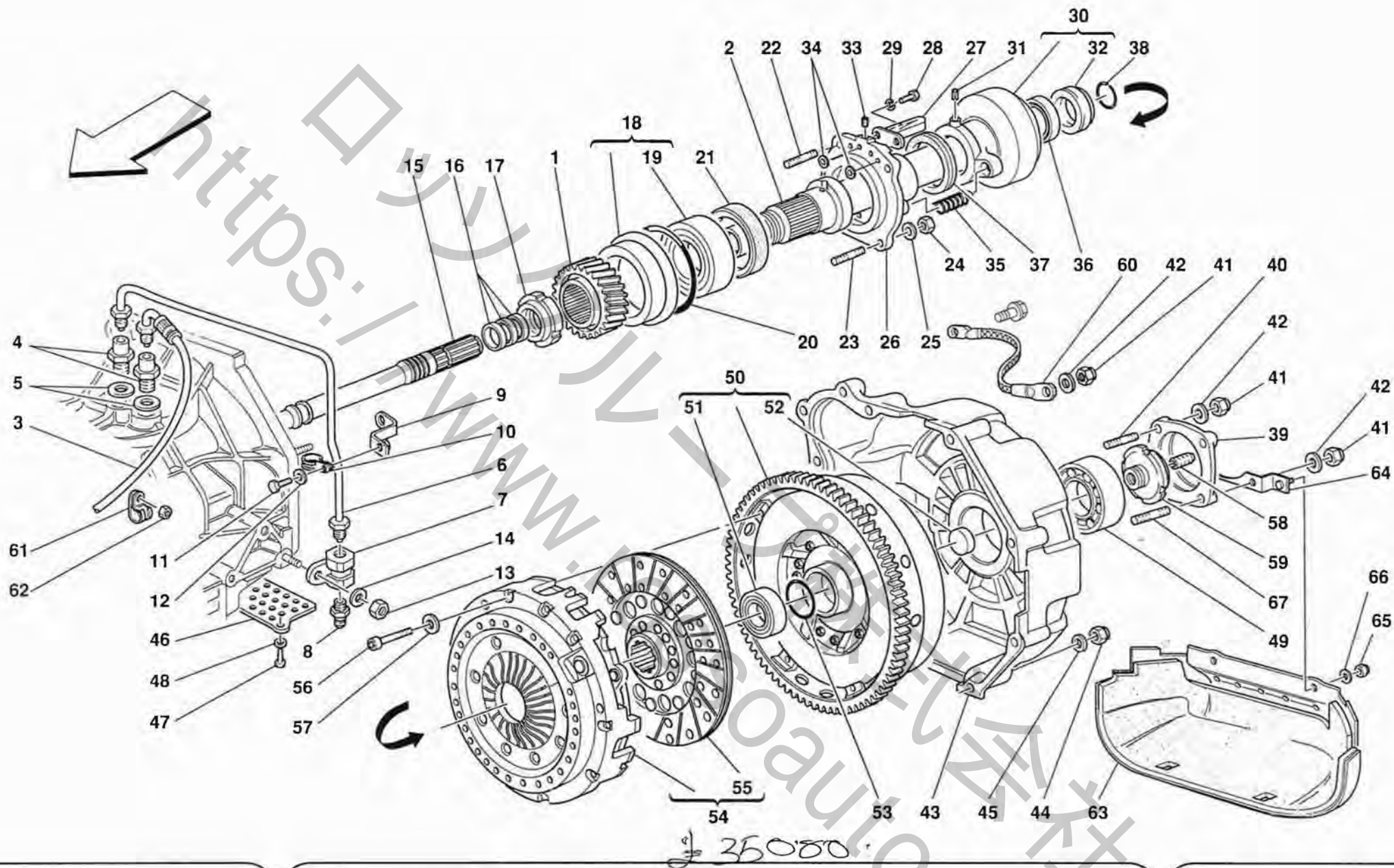
F355

POMPA ACQUA E SCAMBIATORE DI CALORE OLIO/ACQUA
 WATER PUMP AND OIL/WATER HEAT EXCHANGER

TAV. 22

DATA: GIUGNO '95

Rif	Dis.N° Part.N°	Q.ty	Denominazione	Description	Rif	Dis.N° Part.N°	Q.ty	Denominazione	Description
1	158001	1	CORPO POMPA ACQUA -Vale fino al motore No. 37561- -Non a ricambio- -Sostituire con la 163875 + relativi fissaggi Pos. 49 e 50 da montare assieme-	WATER PUMP BODY -Valid till engine Nr. 37561- -Not as spare part- -Replace with 163875 + proper fixings Pos. 49 and 50 to assemble together-	-	165473	1	TERMOSTATO -Vale dopo esaurimento del 130346-	THERMOSTAT -Valid after stock exhaustion of 130346-
-	163875	1	CORPO POMPA ACQUA -Vale dal motore No. 37562-	WATER PUMP BODY -Valid from engine Nr. 37562-	27	105192	1	GUARNIZIONE	GASKET
2	158014	1	PULEGGIA COMANDO POMPA ACQUA -Vale per vett. con scatola guida servoassistita-	WATER PUMP CONTROL PULLEY -Valid for steering box with power steering cars-	28	136571	1	COPERCHIO VALVOLA TERMOSTATICA	THERMOSTATIC VALVE COVER
-	159584	1	PULEGGIA COMANDO POMPA ACQUA -Vale per vett. con scatola guida meccanica-	WATER PUMP CONTROL PULLEY -Valid for mechanical steering box cars-	29	132349	1	BOCCHETTONE	UNION
3	102742	1	DADO	NUT	30	10297760	1	GUARNIZIONE	GASKET
4	12646821	1	ROSETTA	WASHER	31	13541024	3	PRIGIONIERO	STUD
5	11059976	1	ANELLO SEEGER	SEEGER RING	32	102741	3	DADO	NUT
6	143742	1	CUSCINETTO COMPLETO DI ALBERINO	BEARING COMPLETE WITH SHAFT	33	12601274	3	ROSETTA	WASHER
7	10202320	1	LINGUETTA A DISCO	DISC KEY	34	163856	1	STAFFA	BRACKET
8	154546	1	COPERCHIO POMPA ACQUA	WATER PUMP COVER	35	145015	2	MANICOTTO	SLEEVE
9	10158801	1	TAPPO AD ESPANSIONE	PLUG	36	153430	2	FASCETTA - Ø 85 mm.-	CLAMP - Ø 85 mm.-
10	137868	1	GUARNIZIONE O.R.	O.R. GASKET	37	153429	2	FASCETTA - Ø 50 mm.-	CLAMP - Ø 50 mm.-
11	130932	1	ANELLO TENUTA FRONTALE	FRONT SEAL RING	38	154445	1	CONDOTTO COLLEGAMENTO COLLETTORI USCITA ACQUA	WATER OUTLET MANIFOLD CONNECTION DUCT
12	154542	1	GIRANTE POMPA ACQUA	WATER PUMP IMPELLER	39	148677	1	TRASMETTITORE TEMPERATURA ACQUA	WATER TEMPERATURE TRANSMITTER
13	100436	1	DADO	NUT	40	125769	2	SENSORE DI TEMPERATURA ACQUA	WATER TEMPERATURE SENSOR
14	11194079	1	ROSETTA	WASHER	41	10298460	2	GUARNIZIONE	GASKET
15	141332	8	GUARNIZIONE	GASKET	42	154450	2	COLLETORE USCITA ACQUA COMPLETO	COMPLETE WATER OUTLET MANIFOLD
16	102741	6	DADO	NUT	43	13516724	4	PRIGIONIERO	STUD
17	12601274	6	ROSETTA	WASHER	44	150978	4	DADO	NUT
18	13540924	6	PRIGIONIERO	STUD	45	12601374	4	ROSETTA	WASHER
19	152362	2	GUARNIZIONE	GASKET	46	132877	16	DADO	NUT
20	12601374	4	ROSETTA	WASHER	47	12604274	16	ROSETTA	WASHER
21	101044	1	GUARNIZIONE O.R.	O.R. GASKET	48	14306424	1	VITE - L. 25 mm.-	SCREW - L. 25 mm.-
22	122844	1	RACCORDO	UNION	49	14306424	2	VITE - L. 25 mm.- -Vale per corpo pompa acqua 158001-	SCREW - L. 25 mm.- -Valid for water pump body 158001-
23	13525570	2	INSERTO FILETTATO	THREADED INSERT	-	14306624	2	VITE - L. 35 mm.- -Vale per corpo pompa acqua 163875-	SCREW - L. 35 mm.- -Valid for water pump body 163875-
24	106227	1	RACCORDO	UNION	50	14306624	1	VITE - L. 35 mm.- -Vale per corpo pompa acqua 158001-	SCREW - L. 35 mm.- -Valid for water pump body 158001-
25	157400	1	RACCORDO	UNION	-	14306824	1	VITE - L. 45 mm.- -Vale per corpo pompa acqua 163875-	SCREW - L. 45 mm.- -Valid for water pump body 163875-
26	130346	1	TERMOSTATO -Vale fino ad esaurimento-	THERMOSTAT -Valid till stock exhaustion-	51	145032	1	SCAMBIATORE DI CALORE ACQUA-OLIO	WATER-OIL HEAT EXCHANGER



F355

FRIZIONE E COMANDI
CLUTCH AND CONTROLS

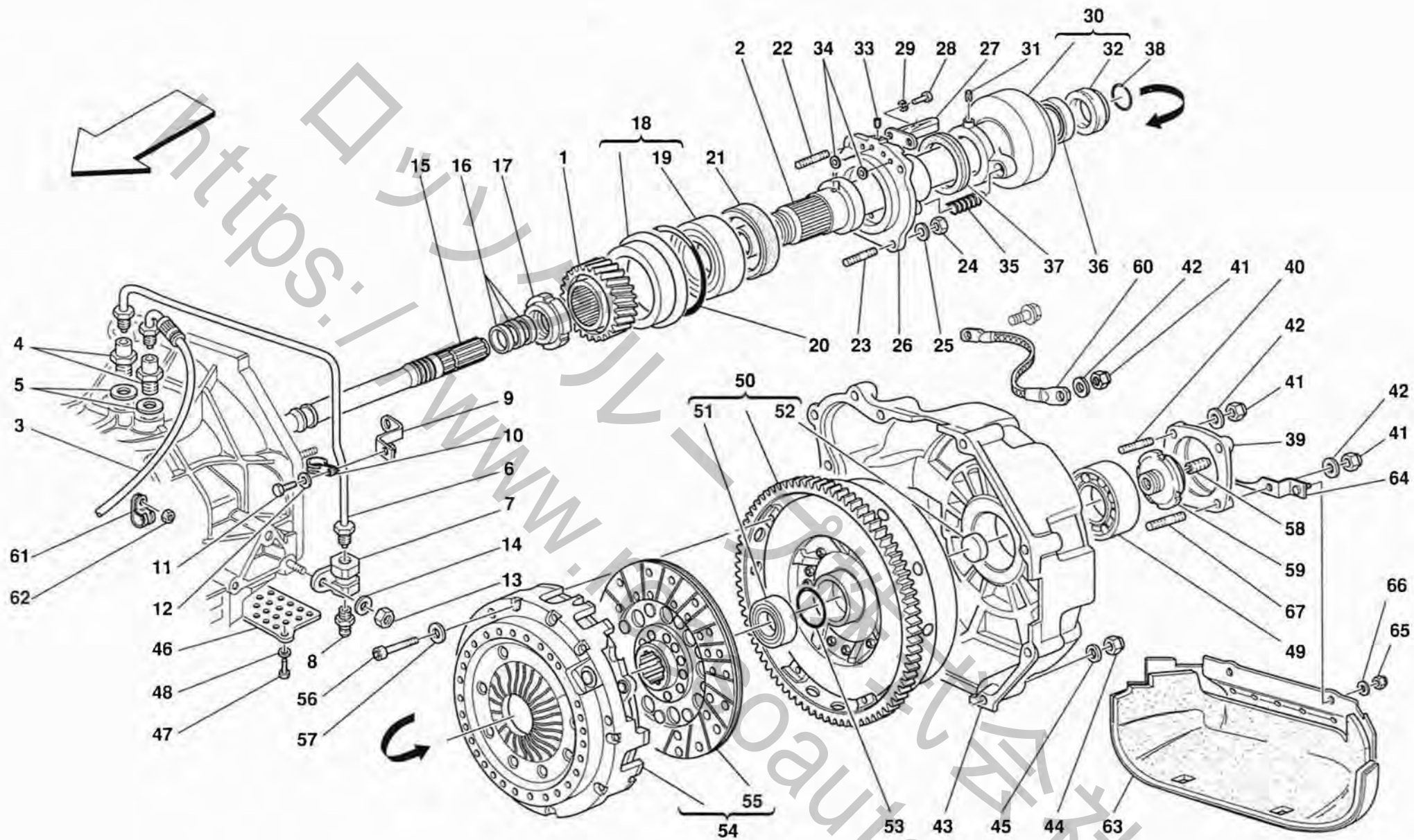
TAV. 23

DATA: GIUGNO '95

Rif	Dis.N° Part.N°	Q.ty	Denominazione	Description
-	70000827	1	COPPIA INGRANAGGI RINVIO (RAPP. 25/29) -No per CH-	GEAR TRANSMISSION TORQUE (RATIO 25/29) -Not for CH-
-	70000839	1	COPPIA INGRANAGGI RINVIO (RAPP. 25/27) -Vale per CH-	GEAR TRANSMISSION TORQUE (RATIO 25/27) -Valid for CH-
1	160059	1	INGRANAGGIO CONDUTTORE -Non a ricambio- -Con la coppia ingranaggi rinvio- -No per CH-	DRIVING GEAR -Not as spare part- -With the gear transmission torque- -Not for CH-
-	156365	1	INGRANAGGIO CONDUTTORE -Non a ricambio- -Con la coppia ingranaggi rinvio- -Vale per CH-	DRIVING GEAR -Not as spare part- -With the gear transmission torque- -Valid for CH-
2	145562	1	ALBERO FRIZIONE	CLUTCH SHAFT
3	155145	1	TUBO FLESSIBILE COMANDO FRIZIONE	CLUTCH CONTROL HOSE
4	148604	2	RACCORDO FILETTATO	THREADED UNION
5	10257060	2	GUARNIZIONE	GASKET
6	147839	1	TUBO DI SPURGO	DRAIN PIPE
7	139921	1	BLOCCETTO	BLOCK
8	121699	1	VITE DI SPURGO	BLEEDER SCREW
9	161479	1	STAFFA	BRACKET
10	10440990	1	STAFFETTA CON GUAINA	BRACKET WITH SHEATH
11	10902011	1	VITE	SCREW
12	106850	1	ROSETTA	WASHER
13	133988	1	DADO	NUT
14	14496601	1	ROSETTA	WASHER
15	162909	1	ALBERO DI TRASMISSIONE	PROPELLER SHAFT
16	137249	3	ANELLO TENUTA	SEAL RING
17	153009	1	GHIERA	RING NUT
18	148667	1	BUSTA COMPL. DI CUSCINETTO	BAG COMPLETE OF BEARING
19	131054	1	CUSCINETTO	BEARING
20	143178	1	GUARNIZIONE O.R.	O.R. GASKET
21	131651	1	GUARNIZIONE	GASKET
22	12354524	1	PRIGIONIERO	STUD
23	13543224	3	PRIGIONIERO	STUD
24	16100811	4	DADO	NUT
25	127496	4	ROSETTA	WASHER
26	144984	1	FLANGIA SUPPORTO CUSCINETTO	BEARING SUPPORT FLANGE
27	138382	1	PIASTRINA	PLATE
28	10977524	2	VITE	SCREW

Rif	Dis.N° Part.N°	Q.ty	Denominazione	Description
29	127493	2	ROSETTA	WASHER
30	156912	1	CUSCINETTO REGGISPINTA COMPL. -Vale fino ad esaurimento-	COMPLETE THRUST BEARING -Valid till stock exhaustion-
-	165932	1	CUSCINETTO REGGISPINTA COMPL. -Vale dopo esaurimento del 156912-	COMPLETE THRUST BEARING -Valid after stock exhaustion of 156912-
31	14163670	1	SPINA ELASTICA	FLEXIBLE PIN
32	138387	1	ANELLO RASCHIATORE	SCRAPER RING
33	10267550	2	TAPPO FILETTATO	THREADED PLUG
34	121813	2	GUARNIZIONE O.R.	O.R. GASKET
35	121717	2	MOLLA PRECARICO	PRELOAD SPRING
36	139438	1	GUARNIZIONE	GASKET
37	151822	1	GUARNIZIONE	GASKET
38	13398176	1	ANELLO D'ARRESTO	STOP RING
39	139184	1	COPERCHIETTO	SMALL COVER
40	12354524	2	PRIGIONIERO	STUD
41	16100811	4	DADO	NUT
42	12601374	4	ROSETTA	WASHER
-	164050	1	CAMPANA FRIZIONE COMPLETA	COMPLETE CLUTCH HOUSING
43	155807	1	CAMPANA FRIZIONE -Non a ricambio- -Con la campana frizione completa-	CLUTCH HOUSING -Not as spare part- -With the complete clutch housing-
44	16100811	8	DADO	NUT
45	12601374	8	ROSETTA	WASHER
46	156118	1	LAMIERA FORATA	DRILLET PLATE
47	10902124	2	VITE	SCREW
48	12601274	2	ROSETTA	WASHER
49	136957	1	CUSCINETTO	BEARING
50	159507	1	VOLANO	FLYWHEEL
51	165539	1	CUSCINETTO	BEARING
52	165540	1	DISTANZIALE	SPACER
53	104984	1	GUARNIZIONE O.R.	O.R. GASKET
54	157754	1	FRIZIONE COMPLETA	COMPLETE CLUTCH
55	157756	1	DISCO FRIZIONE	CLUTCH DISC
56	14305674	9	VITE	SCREW
57	10569279	9	ROSETTA	WASHER
58	13813421	1	VITE	SCREW
59	156826	1	VITE SPECIALE -Vale fino ad esaurimento-	SPECIAL SCREW -Valid till stock exhaustion-
-	168156	1	VITE SPECIALE -Vale dopo esaurimento del 156826-	SPECIAL SCREW -Valid after stock exhaustion of 156826-

Tavola 23 - FRIZIONE E COMANDI CLUTCH AND CONTROLS



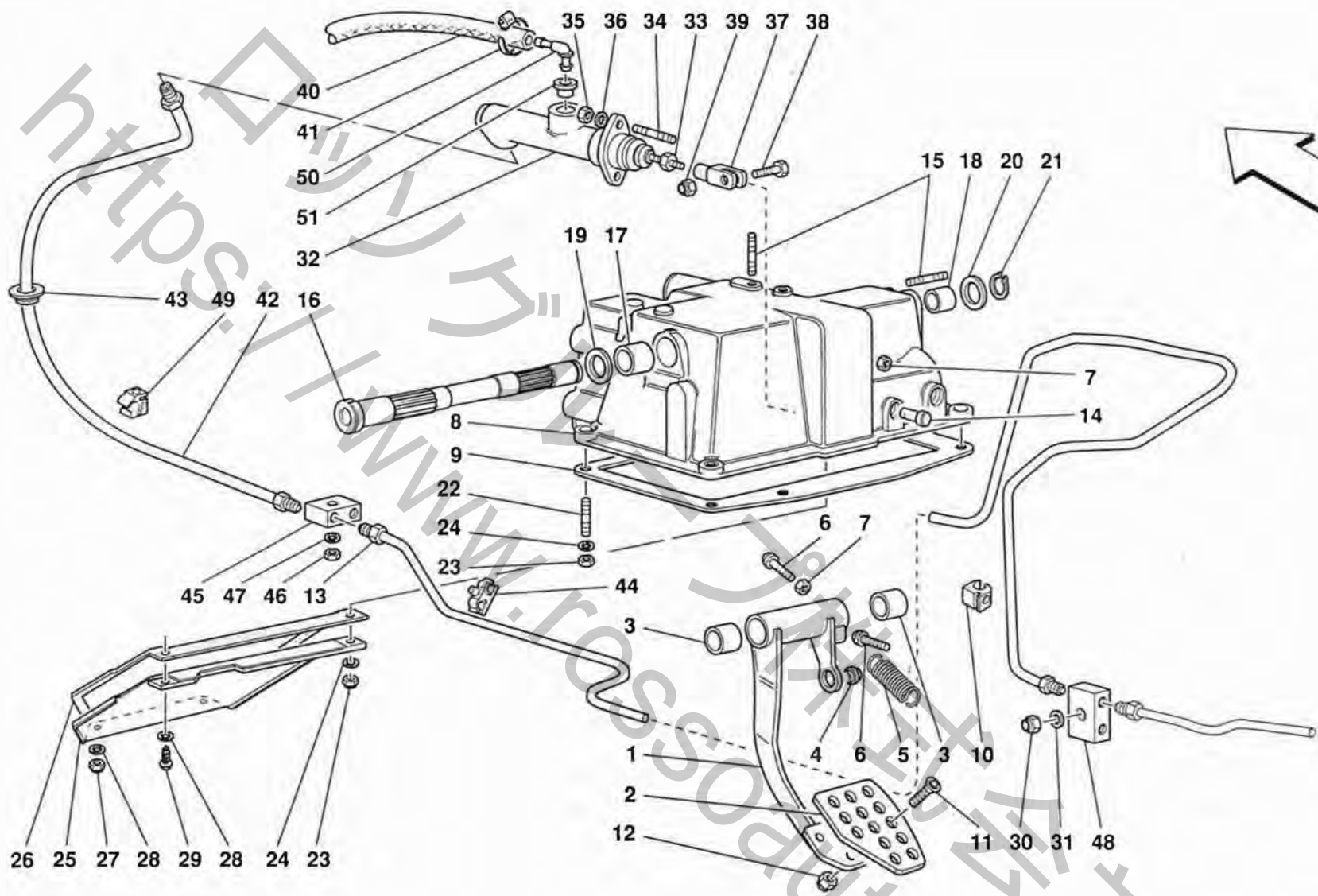
F355

FRIZIONE E COMANDI
CLUTCH AND CONTROLS

TAV. 23
DATA: GIUGNO '95

<i>Rif</i>	<i>Dis. n° Part. N°</i>	<i>Q.ty</i>	<i>Denominazione</i>	<i>Description</i>
60	155073	1	TRECCIA MASSA MOTORE-TELAIO	CABLE FOR ENGINE-FRAME EARTH
61	10441590	1	STAFFETTA CON GUAINA	BRACKET WITH SHEATH
62	12574211	1	DADO	NUT
63	163757	1	PARATIA INSONORIZZANTE	INSULATING SHIELD

<i>Rif</i>	<i>Dis. N° Part. N°</i>	<i>Q.ty</i>	<i>Denominazione</i>	<i>Description</i>
64	163758	1	STAFFA	BRACKET
65	102741	2	DADO	NUT
66	12647624	2	ROSETTA	WASHER
67	13543424	2	PRIGIONIERO	STUD

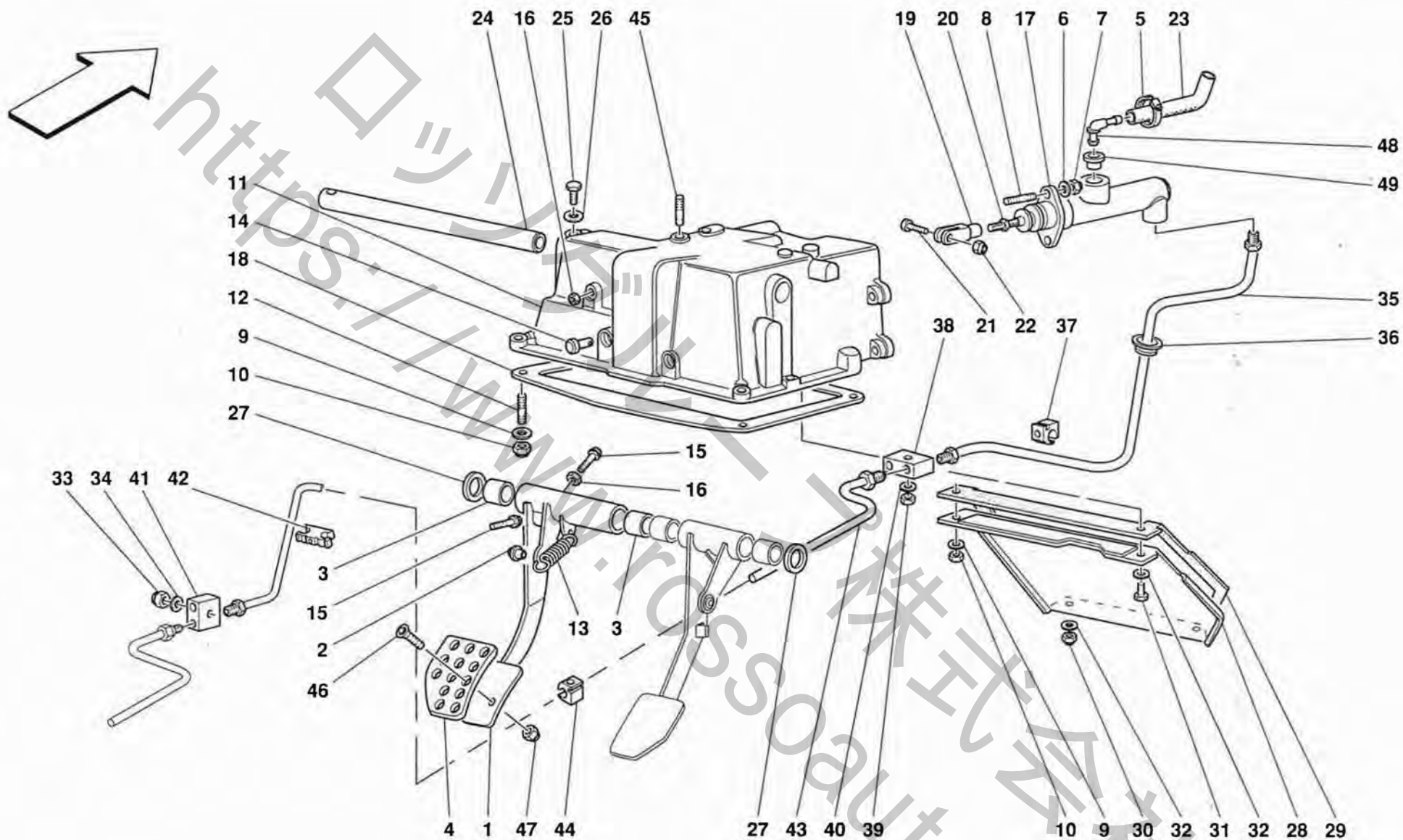


F355

COMANDO DISINNESTO FRIZIONE -No per GD-
CLUTCH RELEASE CONTROL -Not for GD-

TAV. 24
DATA: GIUGNO '95

Rif	Dis.. Part.N°	Q.ty	Denominazione	Description	Rif	Dis.N° Part.N°	Q.ty	Denominazione	Description
1	157268	1	PEDALE FRIZIONE	CLUTCH PEDAL	21	11066676	1	ANELLO SEEGER	SEEGER RING
2	162536	1	PIASTRA FORATA PEDALE FRIZIONE	CLUTCH PEDAL DRILLED PLATE	22	13516824	4	PRIGIONIERO	STUD
3	103163	2	BOCCOLA	BUSHING	23	104030	4	DADO	NUT
4	109407	1	SNODO SFERICO	BALL JOINT	24	14499401	4	ROSETTA	WASHER
5	101305	1	MOLLA	SPRING	25	62877200	1	RIPARO PEDALIERA	PEDAL SUPPORT PROTECTION
6	144011	2	PUNTALINO REGISTRO PEDALE	PEDAL ADJUSTEMENT PIN	26	62694400	1	GUARNIZIONE	GASKET
7	16102324	2	DADO	NUT	27	12574211	2	DADO	NUT
-	147690	1	SUPPORTO PEDALIERA COMPLETO	COMPLETE PEDAL SUPPORT	28	12646601	3	ROSETTA	WASHER
8	143745	1	SUPPORTO PEDALIERA -Non a ricambio- -Con il supporto pedaliera completo-	PEDAL SUPPORT -Not as spare part- -With the complete pedal support-	29	15925601	1	VITE	SCREW
9	129615	1	GUARNIZIONE	GASKET	30	12575411	1	DADO	NUT
10	141521	2	MOLLETTA	CLIP	31	12639724	1	ROSETTA	WASHER
11	14441324	2	VITE	SCREW	32	150067	1	POMPA COMANDO FRIZIONE	CLUTCH CONTROL PUMP
12	14058411	2	DADO	NUT	33	16102324	1	DADO	NUT
13	145034	1	TUBO INTERMEDIO COMANDO FRIZIONE	CLUTCH CONTROL INTERMEDIATE PIPE	34	13516824	2	PRIGIONIERO	STUD
14	129612	1	PERNO	PIN	35	133215	2	DADO	NUT
15	11500124	4	PRIGIONIERO	STUD	36	12601374	2	ROSETTA	WASHER
16	129613	1	PERNO SUPPORTO PEDALI	PEDALS SUPPORT PIN	37	10248271	1	FORCELLA	FORK
17	101314	1	BOCCOLA	BUSHING	38	16043621	1	VITE	SCREW
18	112153	1	BOCCOLA	BUSHING	39	147985	1	DADO	NUT
19	112125	1	ROSETTA DI RASAMENTO	SPACER WASHER	40	151845	1	TUBO DA POMPA FRIZIONE A SERBATOIO	PIPE FROM CLUTCH PUMP TO TANK
20	112127	1	ROSETTA mm. 0,9 -Di eventuale montaggio-	WASHER mm. 0,9 -Possible fitting-	41	157934	1	COLLARE A VITE	SCREW COLLAR
-	112128	1	ROSETTA mm. 1,0 -Di eventuale montaggio-	WASHER mm. 1,0 -Possible fitting-	42	162892	1	TUBO DA POMPA A RACCORDO	PIPE FROM PUMP TO UNION
-	112129	1	ROSETTA mm. 1,1 -Di eventuale montaggio-	WASHER mm. 1,1 -Possible fitting-	43	105369	1	ANELLO PASSAFILO	CABLE GROMMET
-	112130	1	ROSETTA mm. 1,2 -Di eventuale montaggio-	WASHER mm. 1,2 -Possible fitting-	44	141522	7	MOLLETTA	CLIP
-	112131	1	ROSETTA mm. 1,3 -Di eventuale montaggio-	WASHER mm. 1,3 -Possible fitting-	45	139375	1	RACCORDO	UNION
					46	12575411	1	DADO	NUT
					47	12639724	1	ROSETTA	WASHER
					48	139375	1	RACCORDO	UNION
					49	141521	1	MOLLETTA	CLIP
					50	165032	1	RACCORDO	UNION
					51	106625	1	GOMMINO	RUBBER



F355

COMANDO DISINNESTO FRIZIONE -Vale per GD-
CLUTCH RELEASE CONTROL -Valid for GD-

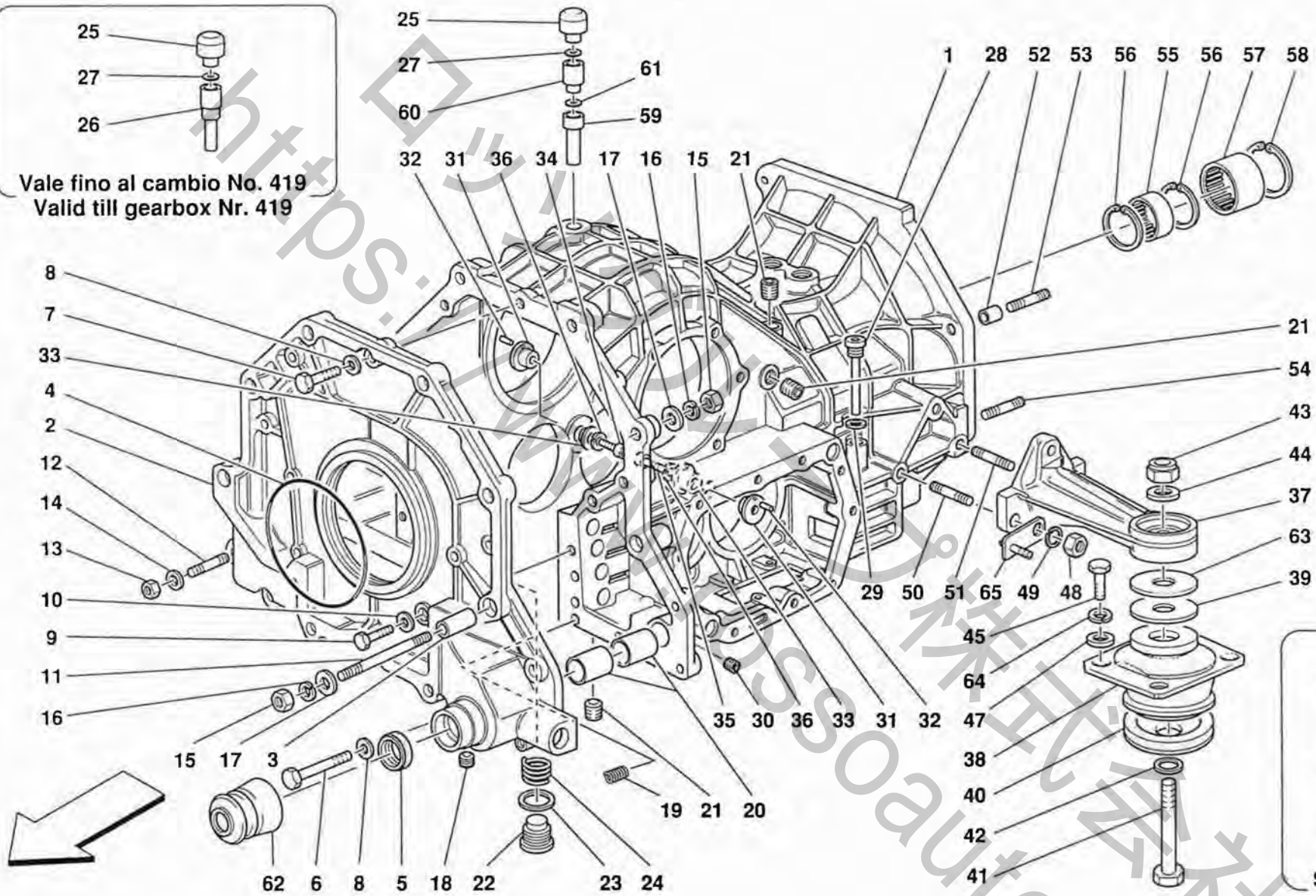
TAV. 25

DATA: GIUGNO '95

Rif	Dis. N° Part. N°	Q.ty	Denominazione	Description	Rif	Dis. N° Part. N°	Q.ty	Denominazione	Description
1	161948	1	PEDALE FRIZIONE	CLUTCH PEDAL	27	106083	2	ROSETTA DI RASAMENTO	SPACER WASHER
2	109407	1	SNODO SFERICO	BALL JOINT				mm. 1,0	mm. 1,0
3	103163	2	BOCCOLA	BUSHING	-	113833	2	ROSETTA DI RASAMENTO	SPACER WASHER
4	162536	1	PIASTRA FORATA PEDALE FRIZIONE	CLUTCH PEDAL DRILLED PLATE				mm. 1,1	mm. 1,1
5	157934	1	COLLARE A VITE	SCREW COLLAR	-	113834	2	ROSETTA DI RASAMENTO	SPACER WASHER
6	12601374	2	ROSETTA	WASHER				mm. 1,2	mm. 1,2
7	133215	2	DADO	NUT	-	113835	2	ROSETTA DI RASAMENTO	SPACER WASHER
8	13516824	2	PRIGIONIERO	STUD				mm. 1,3	mm. 1,3
9	14499401	4	ROSETTA	WASHER	-	113836	2	ROSETTA DI RASAMENTO	SPACER WASHER
10	104030	4	DADO	NUT				mm. 1,4	mm. 1,4
-	148261	1	SUPPORTO PEDALIERA COMPLETO	COMPLETE PEDAL SUPPORT	28	62164600	1	RIPARO PEDALIERA	PEDAL SUPPORT GUARD
11	138311	1	SUPPORTO PEDALIERA	PEDAL SUPPORT	29	62697800	1	GUARNIZIONE	GASKET
			-Non a ricambio-	-Not as spare part-	30	12574211	2	DADO	NUT
			-Con il supporto pedaliera completo-	-With the complete pedal support-	31	15925601	1	VITE	SCREW
12	13516824	4	PRIGIONIERO	STUD	32	12646601	3	ROSETTA	WASHER
13	101305	1	MOLLA	SPRING	33	12575411	1	DADO	NUT
14	129612	1	PERNO	PIN	34	12639724	1	ROSETTA	WASHER
15	144011	2	PUNTALINO REGISTRO PEDALE	PEDAL ADJUSTEMENT PIN	35	162893	1	TUBO DA POMPA A RACCORDO	PIPE FROM PUMP TO UNION
16	16102324	2	DADO	NUT	36	105369	1	ANELLO PASSAFILO	CABLE GROMMET
17	150067	1	POMPA COMANDO FRIZIONE	CLUTCH CONTROL PUMP	37	141521	1	MOLLETTA	CLIP
18	129615	1	GUARNIZIONE	GASKET	38	139375	1	RACCORDO	UNION
19	10248271	1	FORCELLA	FORK	39	12575411	1	DADO	NUT
20	16102324	1	DADO	NUT	40	12639724	1	ROSETTA	WASHER
21	16043621	1	VITE	SCREW	41	139375	1	RACCORDO	UNION
22	147985	1	DADO	NUT	42	141522	9	MOLLETTA	CLIP
23	134903	1	TUBO DA POMPA FRIZIONE A SERBATOIO	PIPE FROM CLUTCH PUMP TO TANK	43	145034	1	TUBO INTERMEDIO COMANDO FRIZIONE	CLUTCH CONTROL INTERMEDIATE PIPE
24	131319	1	PERNO FISSAGGIO PEDALI	PEDAL FASTENING PIN	44	141521	2	MOLLETTA	CLIP
25	10902224	1	VITE	SCREW	45	11500124	4	PRIGIONIERO	STUD
26	12601274	1	ROSETTA	WASHER	46	14441324	2	VITE	SCREW
					47	14058411	2	DADO	NUT
					48	165032	1	RACCORDO	UNION
					49	106625	1	GOMMINO	RUBBER



Vale fino al cambio No. 419
Valid till gearbox Nr. 419



SOLUZIONE SUPERATA
OLD SOLUTION

F355

SCATOLA CAMBIO - DIFFERENZIALE E CORPO INTERMEDIO
GEARBOX - DIFFERENTIAL HOUSING AND INTERMEDIATE CASING

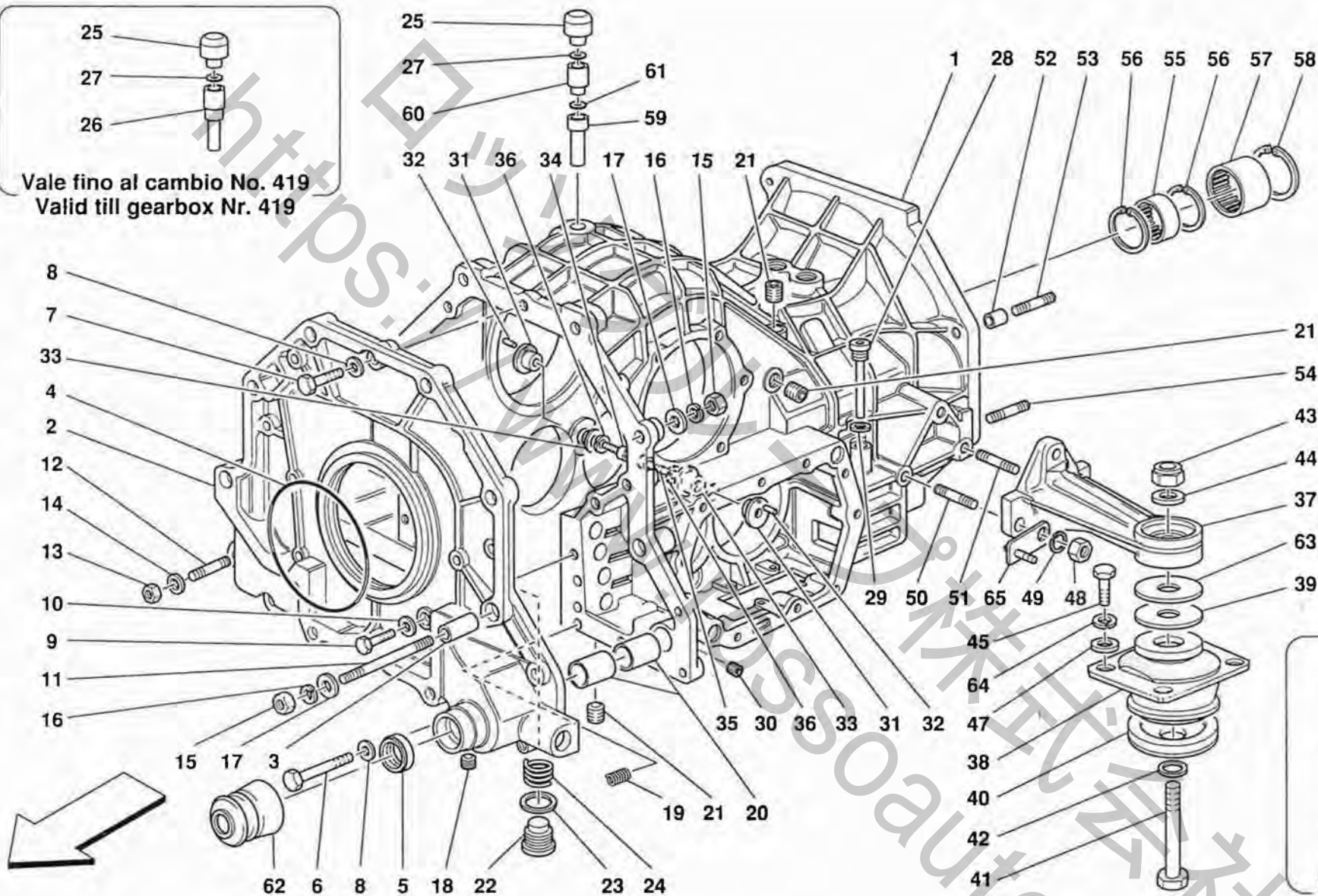
TAV. 26

DATA: GIUGNO '95

Rif	Dis. Nº Part. Nº	Q.ty	Denominazione	Description	Rif	Dis. Nº Part. Nº	Q.ty	Denominazione	Description
-	164051	1	SCATOLA CAMBIO-DIFFERENZIALE COMPLETA	COMPLETE GEARBOX-DIFFERENTIAL CASE	27	13415400	1	DISCO PARAOLIO PER SFIATATOIO	OIL DEFLECTOR DISC FOR VENT
1	154699	1	SCATOLA CAMBIO-DIFFERENZIALE -Non a ricambio- -Con la scatola cambio-differenziale completa-	GEARBOX-DIFFERENTIAL CASE -Not as spare part- -With the complete gearbox- differential case-	28	154683	1	TAPPO E ASTA LIVELLO OLIO	PLUG AND OIL LEVEL ROD
-	164052	1	CORPO INTERMEDIO COMPLETO	COMPLETE INTERMEDIATE BODY	29	10263460	1	GUARNIZIONE	GASKET
2	158088	1	CORPO INTERMEDIO -Non a ricambio- -Con il corpo intermedio completo-	INTERMEDIATE BODY -Not as spare part- -With the complete intermediate body-	30	141563	1	TAPPO FILETTATO	THREADED PLUG
3	131749	2	GRANO	DOWEL	31	131756	2	BOCCOLA FILETTATA	THREADED BUSHING
4	131736	1	GUARNIZIONE O.R.	O.R. GASKET	32	14159470	2	SPINA ELASTICA	FLEXIBLE PIN
5	146306	1	GUARNIZIONE	GASKET	33	131757	2	BOCCOLA	BUSHING
6	16044621	1	VITE	SCREW	34	14305224	1	VITE	SCREW
7	16043824	11	VITE	SCREW	35	14305327	1	VITE	SCREW
8	12601374	13	ROSETTA	WASHER	36	10569273	2	ROSETTA	WASHER
9	10902521	1	VITE	SCREW	37	152246	2	SUPPORTO FISS. SCATOLA CAMBIO	GEARBOX CASE FIXING SUPPORT
10	12601274	1	ROSETTA	WASHER	38	163044	2	CORPO TAMPONE	WICK BODY
11	13547534	2	PRIGIONIERO	STUD	39	132268	2	PIATTELLO SUPERIORE	UPPER SPACER
12	13543524	1	PRIGIONIERO	STUD	40	163043	2	PIATTELLO INFERIORE	LOWER SPACER
13	16100814	1	DADO	NUT	41	15971821	2	VITE	SCREW
14	12601374	1	ROSETTA	WASHER	42	12646801	2	ROSETTA	WASHER
15	133988	6	DADO	NUT	43	102742	2	DADO	NUT
16	127497	6	ROSETTA	WASHER	44	169112	2	ROSETTA	WASHER
17	14496621	6	ROSETTA	WASHER	45	16043431	8	VITE	SCREW
18	10269550	1	TAPPO FILETTATO	THREADED PLUG	46	101139	8	DADO	NUT
19	13526070	2	INSERTO FILETTATO	THREADED INSERT	47	14496524	8	ROSETTA	WASHER
20	143775	2	BOCCOLA -Vale fino ad esaurimento-	BUSHING -Valid till stock exhaustion-	48	133988	6	DADO	NUT
-	149907	2	BOCCOLA -Vale dopo esaurimento del 143775-	BUSHING -Valid after stock exhaustion of 143775-	49	10569479	6	ROSETTA	WASHER
21	14326050	4	TAPPO FILETTATO	THREADED PLUG	50	13546224	5	PRIGIONIERO	STUD
22	104280	1	TAPPO	PLUG	51	13546624	1	PRIGIONIERO	STUD
23	144810	1	GUARNIZIONE	GASKET	52	100041	2	GRANO	DOWEL
24	112254	1	INSERTO FILETTATO	THREADED INSERT	53	13544324	2	PRIGIONIERO	STUD
25	13414691	1	SFIATATOIO OLIO	OIL BREATHER	54	13544124	6	PRIGIONIERO	STUD
26	142873	1	PROLUNGA SFIATO OLIO -Vale fino al cambio No. 419- -Non piu' a ricambio- -Sostituire con 163699 + 162890 + 13415400 da montare assieme-	OIL EXHAUST EXTENSION -Valid till gearbox Nr. 419- -Not as spare part now- -Replace with 163699 + 162890 + 13415400 to assemble together-	55	131049	1	CUSCINETTO A RULLINI	ROLLER BEARING
					-	138341	1	CUSCINETTO A RULLINI -In alternativa-	ROLLER BEARING -As an alternative-
					56	131958	2	ANELLO DI ARRESTO	STOP RING
					57	131050	1	CUSCINETTO A RULLINI	ROLLER BEARING
					-	138340	1	CUSCINETTO A RULLINI -In alternativa-	ROLLER BEARING -As an alternative-
					58	103096	1	ANELLO DI ARRESTO	STOP RING
					59	163699	1	PROLUNGA SFIATO OLIO -Vale dal cambio No. 420-	OIL EXHAUST EXTENSION -Valid from gearbox Nr. 420-



Vale fino al cambio No. 419
Valid till gearbox Nr. 419



SOLUZIONE SUPERATA
OLD SOLUTION

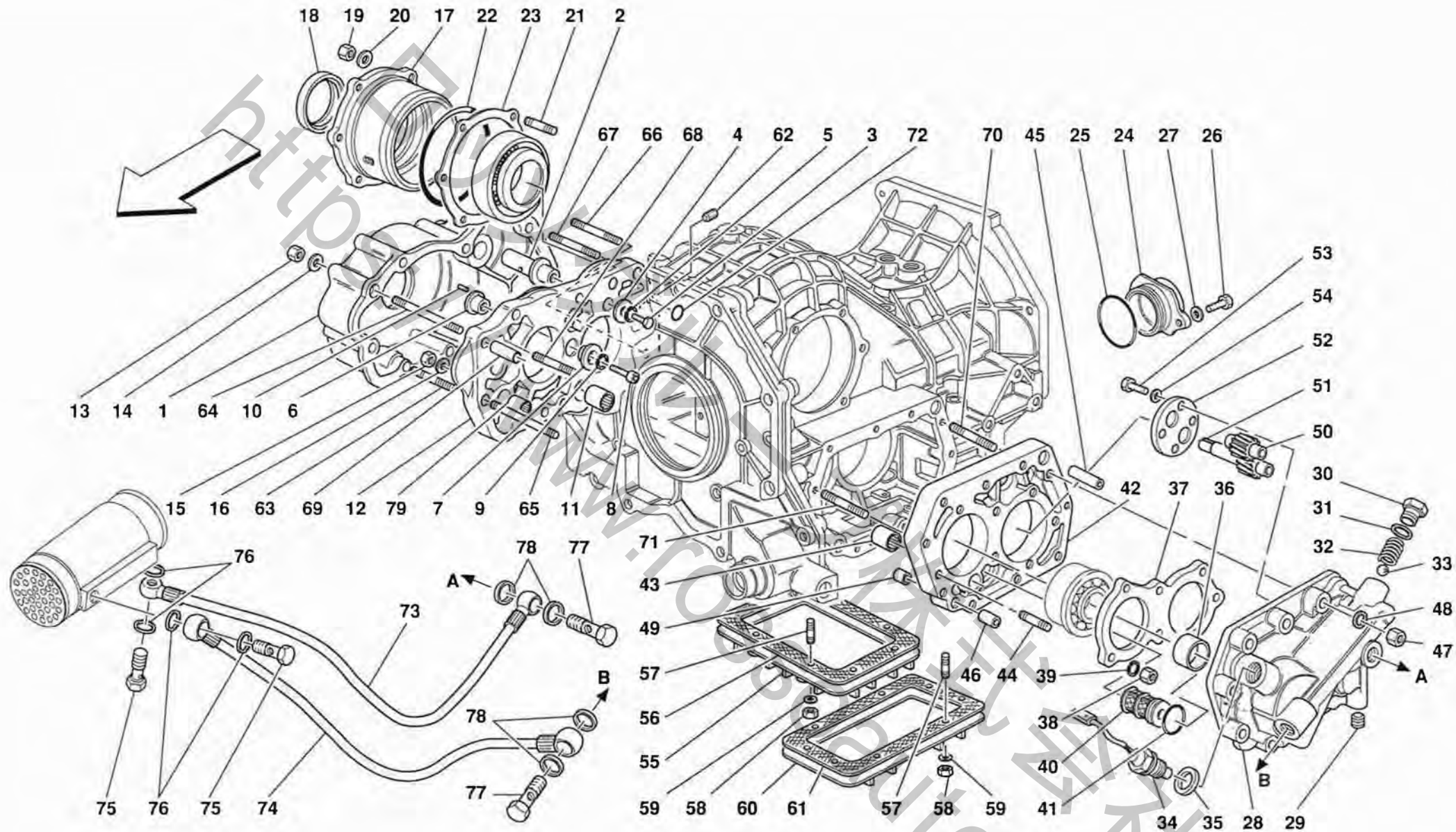
F355

SCATOLA CAMBIO - DIFFERENZIALE E CORPO INTERMEDIO
GEARBOX - DIFFERENTIAL HOUSING AND INTERMEDIATE CASING

TAV. 26

DATA: GIUGNO '95

<i>Rif</i>	<i>Dis.N° Part.N°</i>	<i>Q.ty</i>	<i>Denominazione</i>	<i>Description</i>	<i>Rif</i>	<i>Dis.N° Part.N°</i>	<i>Q.ty</i>	<i>Denominazione</i>	<i>Description</i>
60	162890	1	PROLUNGA PER PROLUNGA SFIATO OLIO -Vale dal cambio No. 420-	EXTENSION FOR OIL EXHAUST EXTENSION -Valid from gearbox Nr. 420-	62	147572	1	SOFFIETTO ASTA COMANDO CAMBIO	GEARBOX CONTROL ROD RUBBER BOOT
61	13415400	1	DISCO PARAOLIO PER SFIATATOIO -Vale dal cambio No. 420-	OIL DEFLECTOR DISC FOR VENT -Valid from gearbox Nr. 420-	63	160430	2	DISTANZIALE	SPACER
					64	127496	8	ROSETTA	WASHER
					65	159386	1	PIASTRINO FISS. TUBO FRIZIONE	CLUTCH PIPE FIXING SMALL PLATE



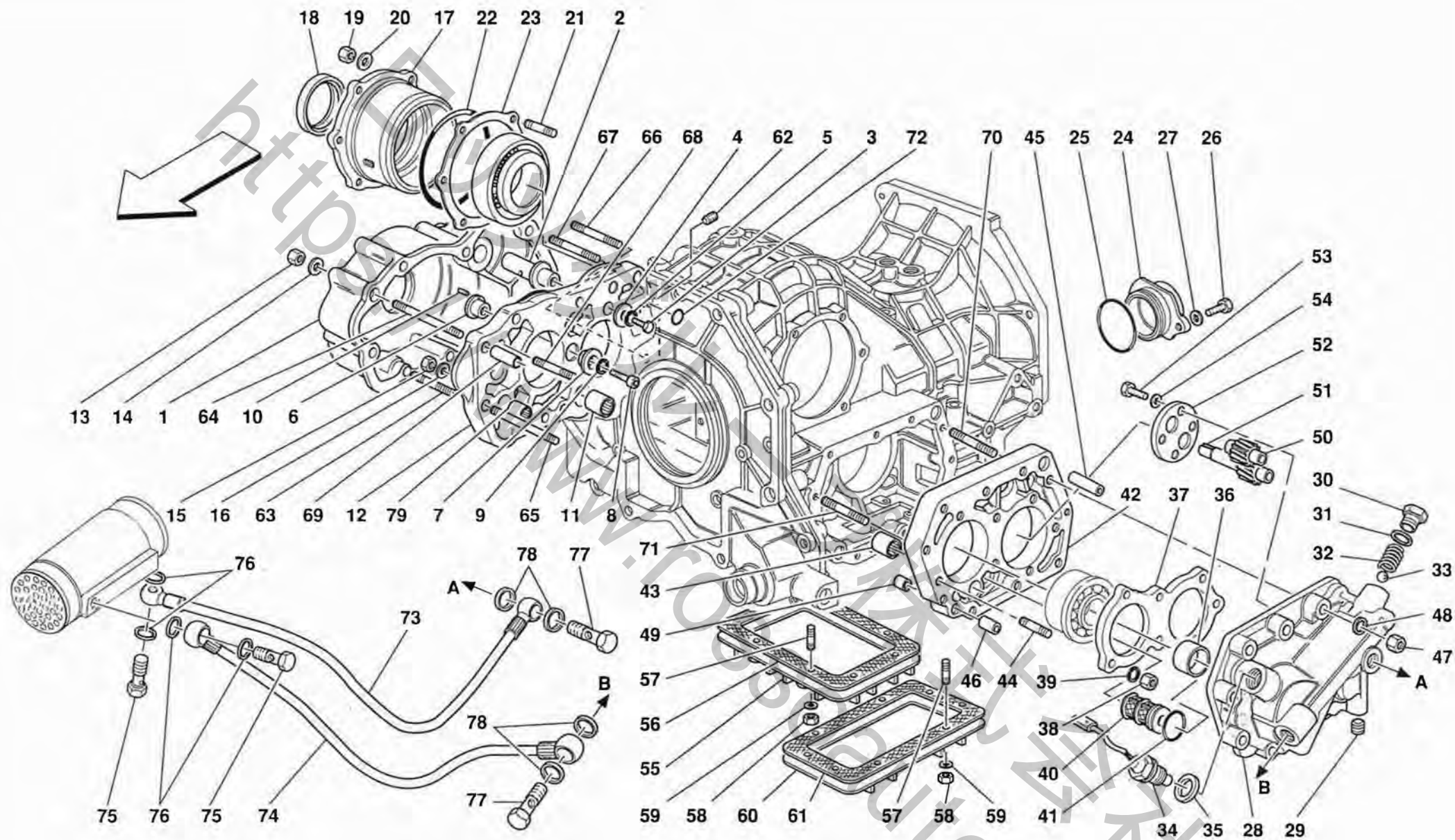
F355

COPERCHI SCATOLA CAMBIO E LUBRIFICAZIONE
GEARBOX COVERS AND LUBRICATION

TAV. 27

DATA: GIUGNO '95

Rif	Dis. Nº Part. Nº	Q.ty	Denominazione	Description	Rif	Dis. Nº Part. Nº	Q.ty	Denominazione	Description
1	154638	1	COPERCHIO LATERALE DX. -Vale fino al cambio No. 1738 e CH 198-	R.H. LATERAL COVER -Valid till gearbox Nr. 1738 and 198 CH-	21	13543324	8	PRIGIONIERO -L. 20 mm.- -Per vett. senza paratia anticalore q.ta' 12- -Vedi Tav. 32 Pos. 14-	STUD -L. 20 mm.- -For cars without anti-heat shield q.ty 12- -See Table 32 Pos. 14-
-	163819	1	COPERCHIO LATERALE DX. -Vale dal cambio No. 1739 e CH 199-	R.H. LATERAL COVER -Valid from gearbox Nr. 1739 and 199 CH-	-	12354524	4	PRIGIONIERO -L. 22 mm.- -Vale per vett. con paratia anticalore- -Vedi Tav. 32 Pos. 14-	STUD -L. 22 mm.- -Valid for cars with anti-heat shield- -See Table 32 Pos. 14-
2	153992	1	PERNO PER INGRANAGGIO FOLLE RM -Vale per la serie compl. Ingranaggi Folle/RM 70000829- -Vedi Tav. 28 e 29-	PIN FOR NEUTRAL REVERSE GEAR -Valid for pinion complete kit for Neutral/Reverse 70000829- -See Table 28 and 29-	22	139453	2	GUARNIZIONE O.R.	O.R. GASKET
-	160937	1	PERNO PER INGRANAGGIO FOLLE RM -Vale per la serie compl. Ingranaggi Folle/RM 70000846- -Vedi Tav. 28 e 29-	PIN FOR NEUTRAL REVERSE GEAR -Valid for pinion complete kit for Neutral/Reverse 70000846- -See Table 28 and 29-	23	132135	2	RASAMENTO mm. 1,30	SPACER mm. 1,30
3	10902011	1	VITE	SCREW	-	132136	-	RASAMENTO mm. 1,40	SPACER mm. 1,40
4	157217	1	ROSETTA	WASHER	-	145457	-	RASAMENTO mm. 1,45	SPACER mm. 1,45
5	106850	1	ROSETTA	WASHER	-	132137	-	RASAMENTO mm. 1,50	SPACER mm. 1,50
6	131756	1	BOCCOLA	BUSHING	-	145458	-	RASAMENTO mm. 1,55	SPACER mm. 1,55
7	131757	1	BOCCOLA	BUSHING	-	132138	-	RASAMENTO mm. 1,60	SPACER mm. 1,60
8	14305724	1	VITE	SCREW	-	145459	-	RASAMENTO mm. 1,65	SPACER mm. 1,65
9	10569273	1	ROSETTA	WASHER	-	132139	-	RASAMENTO mm. 1,70	SPACER mm. 1,70
10	14159470	1	SPINA ELASTICA	FLEXIBLE PIN	-	132140	-	RASAMENTO mm. 1,80	SPACER mm. 1,80
11	143341	1	BOCCOLA	BUSHING	-	132141	-	RASAMENTO mm. 1,90	SPACER mm. 1,90
12	158076	1	PIASTRA INTERMEDIA DX. -Vale fino al cambio No. 225-	R.H. INTERMEDIATE PLATE -Valid till gearbox Nr. 225-	24	154640	1	COPERCHIO TENUTA OLIO	OIL SEAL COVER
-	163953	1	PIASTRA INTERMEDIA DX. -Vale dal cambio No. 226-	R.H. INTERMEDIATE PLATE -Valid from gearbox Nr. 226-	25	131747	1	GUARNIZIONE O.R.	O.R. GASKET
13	133989	10	DADO	NUT	26	10902121	2	VITE	SCREW
14	12601374	10	ROSETTA	WASHER	27	12601274	2	ROSETTA	WASHER
15	15896211	4	DADO	NUT	28	145052	1	COPERCHIO LATERALE SX.	L.H. LATERAL COVER
16	12601274	4	ROSETTA	WASHER	29	14326150	1	TAPPO FILETTATO	THREADED PLUG
17	143448	2	COPERCHIO LATERALE DIFFERENZIALE	DIFFERENTIAL LATERAL COVER	30	145148	1	TAPPO	PLUG
18	133628	1	GUARNIZIONE DX.	R.H. GASKET	31	145192	1	GUARNIZIONE	GASKET
-	141509	1	GUARNIZIONE SX.	L.H. GASKET	32	135771	1	MOLLA	SPRING
19	16100811	12	DADO	NUT	33	135770	1	SFERA	BALL
20	12601374	12	ROSETTA	WASHER	34	149095	1	CAPTATORE D'IMPULSI	PULSE SENSOR
					35	10263460	1	GUARNIZIONE	GASKET
					36	113088	1	SEDE ANELLO DI TENUTA	SEAL RING SEAT
					37	145272	1	FLANGIA TENUTA CUSCINETTI	BEARINGS RETAINING FLANGE
					38	16100811	7	DADO	NUT
					39	127496	7	ROSETTA	WASHER
					40	115538	1	FILTRO	FILTER
					41	101034	1	GUARNIZIONE O.R.	O.R. GASKET
					42	147995	1	CORPO INTERMEDIO COPERCHIO SX.	L.H. COVER INTERMEDIATE BODY



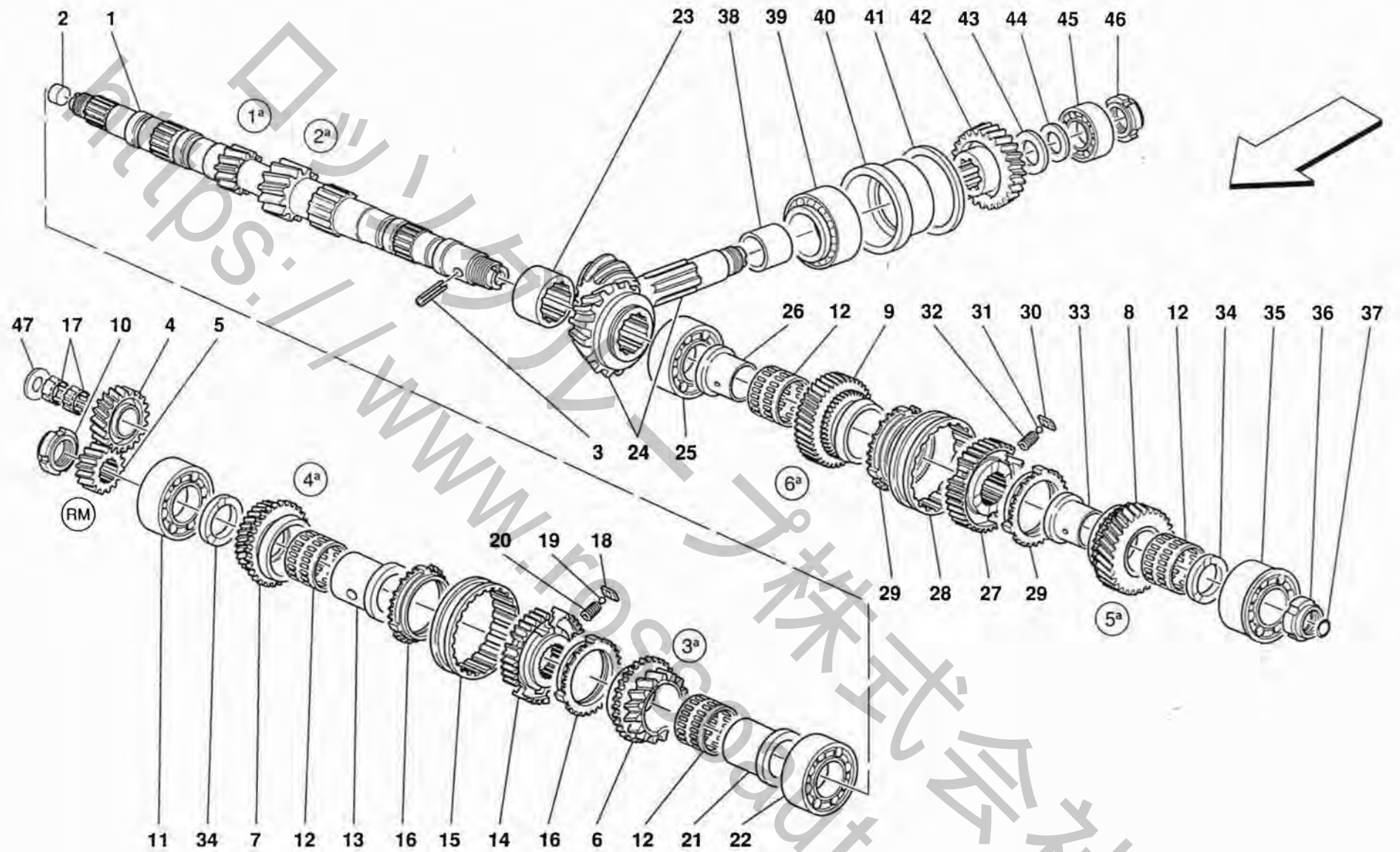
F355

COPERCHI SCATOLA CAMBIO E LUBRIFICAZIONE
GEARBOX COVERS AND LUBRICATION

TAV. 27

DATA: GIUGNO '95

<i>Rif</i>	<i>Dis.N° Part.N°</i>	<i>Q.ty</i>	<i>Denominazione</i>	<i>Description</i>	<i>Rif</i>	<i>Dis.N° Part.N°</i>	<i>Q.ty</i>	<i>Denominazione</i>	<i>Description</i>
43	143341	1	BOCCOLA	BUSHING	63	13543824	3	PRIGIONIERO	STUD
44	13543224	7	PRIGIONIERO	STUD	64	13970424	1	PRIGIONIERO	STUD
45	131746	1	GRANO	DOWEL	65	13970324	4	PRIGIONIERO	STUD
46	125717	1	GRANO	DOWEL	66	13544224	1	PRIGIONIERO	STUD
47	16100811	10	DADO	NUT	67	13543924	1	PRIGIONIERO	STUD
48	12601374	10	ROSETTA	WASHER	68	13540824	4	PRIGIONIERO	STUD
49	100041	1	GRANO	DOWEL	69	142220	2	GRANO CENTRAGGIO	CENTERING DOWEL
50	109723	1	INGRANAGGIO CONDOTTO	DRIVEN GEAR	70	13544324	8	PRIGIONIERO	STUD
51	109722	1	INGRANAGGIO CONDUTTORE	DRIVING GEAR	71	13544224	2	PRIGIONIERO	STUD
52	121962	1	COPERCHIETTO	SMALL COVER	72	134705	1	GUARNIZIONE O.R.	O.R. GASKET
53	10902224	4	VITE	SCREW	73	145102	1	TUBO A SCAMBIATORE DI CALORE	PIPE TO HEAT EXCHANGER
54	12601274	4	ROSETTA	WASHER	74	145103	1	TUBO DA SCAMBIATORE DI CALORE	PIPE FROM HEAT EXCHANGER
55	142218	1	COPERCHIO INFERIORE CENTRALE	CENTRAL LOWER COVER	75	153419	2	RACCORDO BOCCHETTONE	UNION
56	146186	1	GUARNIZIONE	GASKET	76	145192	4	GUARNIZIONE	GASKET
57	11499924	16	PRIGIONIERO	STUD	77	153419	2	RACCORDO BOCCHETTONE	UNION
58	10725914	16	DADO	NUT	78	145192	4	GUARNIZIONE	GASKET
59	12601274	16	ROSETTA	WASHER	79	106500	2	BOCCOLA AUTOLUBRIFICANTE	SELF-LUBRICATING BUSHING
60	154679	2	COPERCHIO INFERIORE LATERALE	LATERAL LOWER COVER				-Vale dal cambio No. 226-	-Valid from gearbox Nr. 226-
61	154692	2	GUARNIZIONE	GASKET					
62	10267550	1	TAPPO FILETTATO	THREADED PLUG					



F355

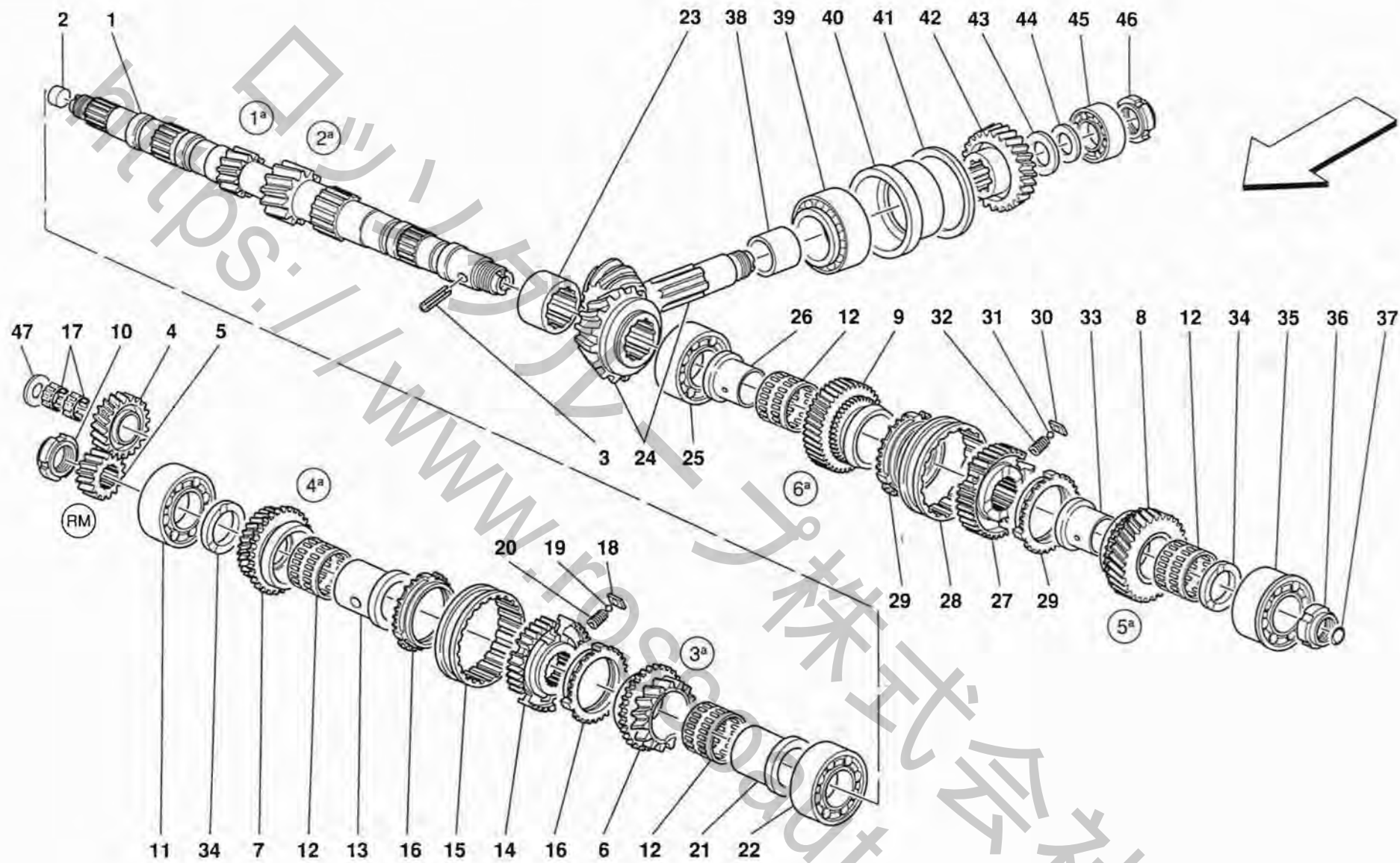
RUOTISMI ALBERO PRIMARIO CAMBIO
MAIN SHAFT GEARS

TAV. 28

DATA: GIUGNO '95

Rif	Dis.N° Part.N°	Q.ty	Denominazione	Description
-	70000828	1	SERIE COMPL. ALBERO PRIMARIO/1a E 2a VEL.	PINION COMPLETE KIT FOR MAIN SHAFT/1st GEAR AND 2nd GEAR
-	70000829	1	SERIE COMPL. INGRANAGGI FOLLE/RM -Vale fino al cambio No. 348- -Vale per perno 153992- -Vedi Tav. 27 Pos. 2- -Non piu' a ricambio- -Sostituita dalla 70000846-	PINION COMPLETE KIT FOR NEUTRAL/REVERSE -Valid till gearbox Nr. 348- -Valid for pin 153992- -See Table 27 Pos. 2- -Not as spare part now- -Replaced by 70000846-
-	70000846	1	SERIE COMPL. INGRANAGGI FOLLE/RM -Vale dal cambio No. 349- -Vale per perno 160937- -Vedi Tav. 27 Pos. 2-	PINION COMPLETE KIT FOR NEUTRAL/REVERSE -Valid from gearbox Nr. 349- -Valid for pin 160937- -See Table 27 Pos. 2-
-	70000830	1	SERIE COMPL. INGRANAGGI 3a VEL.	PINION COMPLETE KIT FOR 3rd GEAR
-	70000831	1	SERIE COMPL. INGRANAGGI 4a VEL.	PINION COMPLETE KIT FOR 4th GEAR
-	70000832	1	SERIE COMPL. INGRANAGGI 5a VEL.	PINION COMPLETE KIT FOR 5th GEAR
-	70000833	1	SERIE COMPL. INGRANAGGI 6a VEL. -No per CH-	PINION COMPLETE KIT FOR 6th GEAR -Not for CH-
-	70000838	1	SERIE COMPL. INGRANAGGI 6a VEL. -Vale per CH-	PINION COMPLETE KIT FOR 6th GEAR -Valid for CH-
1	156925	1	ALBERO PRIMARIO CAMBIO -Non a ricambio- -Solo con la serie compl. albero primario/1a Vel. e 2a Vel.-	MAIN SHAFT FOR GEAR LEVER -Not as spare part- -With the pinion complete kit for main shaft/1st gear and 2nd gear only -
2	14328401	1	TAPPO AD ESPANSIONE	PLUG
3	14601470	1	SPINA ELASTICA	FLEXIBLE PIN
4	155653	1	INGRANAGGIO FOLLE/RM -Non a ricambio- -Solo con la serie ingranaggi Folle/RM- -Vale per la serie compl. ingranaggi Folle/RM 70000829-	IDLE GEAR FOR NEUTRAL/REVERSE -Not as spare part- -With the pinion kit for Neutral/Reverse only - -Valid for pinion complete kit for Neutral/Reverse 70000829-

Rif	Dis.N° Part.N°	Q.ty	Denominazione	Description
-	160942	1	INGRANAGGIO FOLLE/RM -Non a ricambio- -Solo con la serie ingranaggi Folle/RM- -Vale per la serie compl. ingranaggi Folle/RM 70000846-	IDLE GEAR FOR NEUTRAL/REVERSE -Not as spare part- -With the pinion kit for Neutral/Reverse only - -Valid for pinion complete kit for Neutral/Reverse 70000846-
5	155644	1	INGRANAGGIO CONDUTTORE RM -Non a ricambio- -Solo con la serie ingranaggi Folle/RM-	RM DRIVING GEAR -Not as spare part- -With the pinion kit for Neutral/Reverse only -
6	157260	1	INGRANAGGIO 3a VEL. -Non a ricambio- -Solo con la serie compl. ingranaggi 3a Vel.-	PINION FOR 3rd GEAR -Not as spare part- -With the pinion complete kit for 3rd gear only -
7	155657	1	INGRANAGGIO 4a VEL. -Non a ricambio- -Solo con la serie compl. ingranaggi 4a Vel.-	PINION FOR 4th GEAR -Not as spare part- -With the pinion complete kit for 4th gear only -
8	155658	1	INGRANAGGIO 5a VEL. -Non a ricambio- -Solo con la serie compl. ingranaggi 5a Vel.-	PINION FOR 5th GEAR -Not as spare part- -With the pinion complete kit for 5th gear only -
9	161913	1	INGRANAGGIO 6a VEL. -Non a ricambio- -Solo con la serie compl. ingranaggi 6a Vel.- -No per CH-	PINION FOR 6th GEAR -Not as spare part- -With the pinion complete kit for 6th gear only - -Not for CH-
-	155659	1	INGRANAGGIO 6a VEL. -Non a ricambio- -Solo con la serie compl. ingranaggi 6a Vel.- -Vale per CH-	PINION FOR 6th GEAR -Not as spare part- -With the pinion complete kit for 6th gear only - -Valid for CH-
10	125480	1	GHIERA	RING NUT
11	157179	1	CUSCINETTO	BEARING
12	107525	4	GABBIA A RULLINI	ROLLER CAGE
13	151576	1	BOCCOLA	BUSHING
14	161015	1	CORPO SINCRONIZZATORE	SYNCHRONIZER BODY
15	152198	1	MANICOTTO PER SINCRONIZZATORE	SLEEVE FOR SYNCHRONIZER
16	155155	2	ANELLO SINCRONIZZATORE	SYNCHRONIZER RING
17	104734	2	GABBIA A RULLINI	ROLLER CAGE



F355

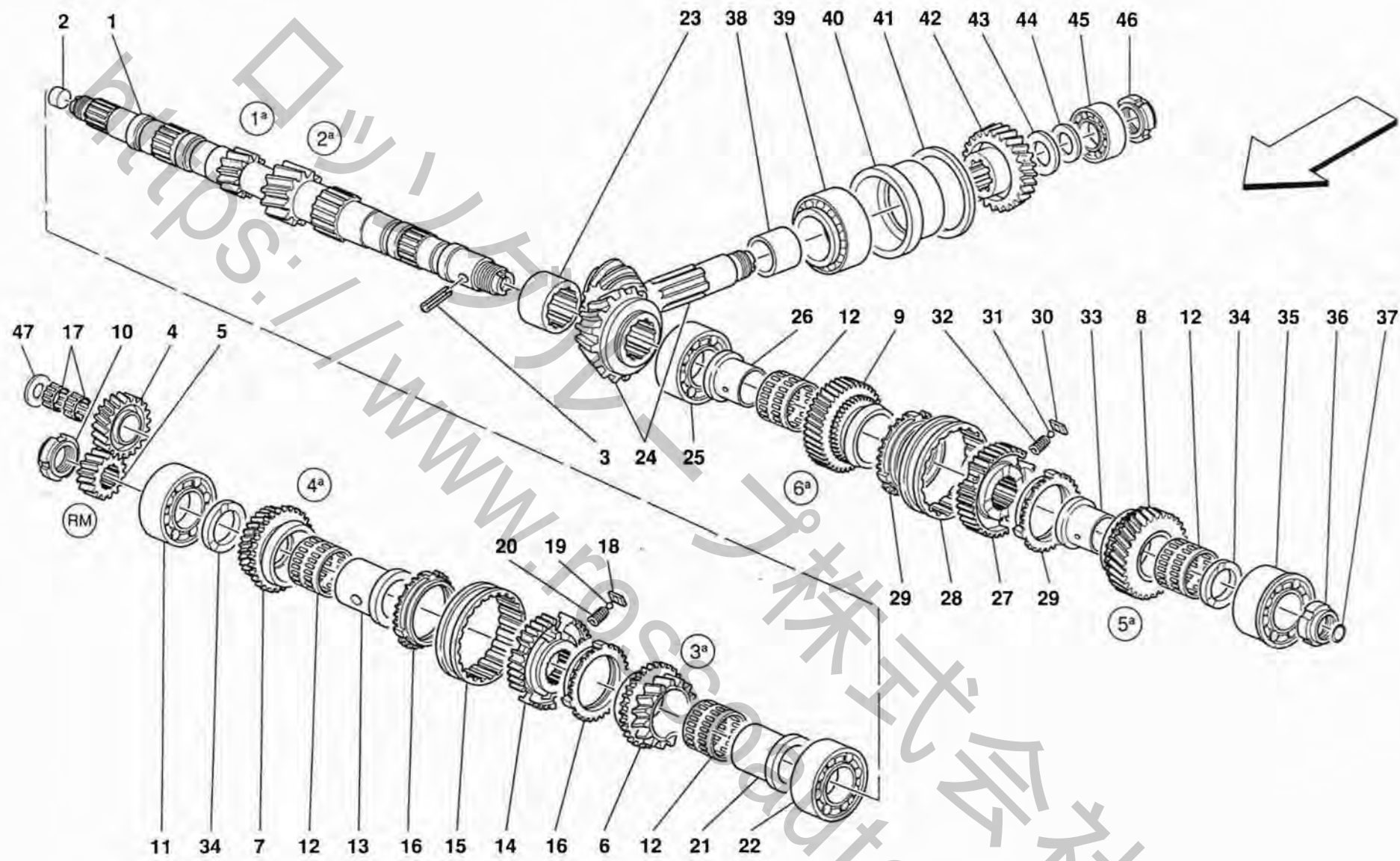
RUOTISMI ALBERO PRIMARIO CAMBIO
MAIN SHAFT GEARS

TAV. 28

DATA: GIUGNO '95

Rif	Dis. N° Part. N°	Q.ty	Denominazione	Description
18	152195	3	TASSELLO PER SINCRONIZZATORE	PAD FOR SYNCHRONIZER
19	152197	1	SFERA	BALL
20	161016	3	MOLLA PER SINCRONIZZATORE	SPRING FOR SYNCHRONIZER
21	152914	1	BOCCOLA	BUSHING
22	157177	1	CUSCINETTO	BEARING
23	138694	1	DISTANZIALE	SPACER
24	163866	1	COPPIA CONICA COMPLETA	COMPLETE BEVEL SET
25	157178	1	CUSCINETTO	BEARING
26	152386	1	BOCCOLA	BUSHING
27	152207	1	CORPO SINCRONIZZATORE	SYNCHRONIZER BODY
28	152206	1	MANICOTTO PER SINCRONIZZATORE	SLEEVE FOR SYNCHRONIZER
29	152209	2	ANELLO SINCRONIZZATORE	SYNCHRONIZER RING
30	152195	3	TASSELLO PER SINCRONIZZATORE	PAD FOR SYNCHRONIZER
31	152197	3	SFERA	BALL
32	152196	3	MOLLA PER SINCRONIZZATORE	SPRING FOR SYNCHRONIZER
33	151576	1	BOCCOLA	BUSHING
34	149365	2	RASAMENTO mm. 3,4	SPACER mm. 3,4
-	149366	2	RASAMENTO mm. 3,5	SPACER mm. 3,5
-	149367	2	RASAMENTO mm. 3,6	SPACER mm. 3,6
-	149368	2	RASAMENTO mm. 3,7	SPACER mm. 3,7
-	149369	2	RASAMENTO mm. 3,8	SPACER mm. 3,8
-	149370	2	RASAMENTO mm. 3,9	SPACER mm. 3,9
-	149371	2	RASAMENTO mm. 4,0	SPACER mm. 4,0
-	149372	2	RASAMENTO mm. 4,1	SPACER mm. 4,1
-	153457	2	RASAMENTO mm. 4,2	SPACER mm. 4,2
-	153459	2	RASAMENTO mm. 4,3	SPACER mm. 4,3
-	164932	2	RASAMENTO mm. 4,4	SPACER mm. 4,4
-	164933	2	RASAMENTO mm. 4,5	SPACER mm. 4,5
35	155694	1	CUSCINETTO	BEARING
36	153000	1	GHIERA	RING NUT
37	109724	1	GUARNIZIONE O.R.	O.R. GASKET
38	131335	1	BUSTA PER CUSCINETTI	BAG FOR BEARINGS
39	131015	1	CUSCINETTO	BEARING
40	131356	1	BUSTA PORTA CUSCINETTO	BAG FOR BEARING
41	131388	1	RASAMENTO mm. 1,8	SPACER mm. 1,8
-	131389	1	RASAMENTO mm. 1,9	SPACER mm. 1,9
-	131390	1	RASAMENTO mm. 2,0	SPACER mm. 2,0
-	131391	1	RASAMENTO mm. 2,1	SPACER mm. 2,1

Rif	Dis. N° Part. N°	Q.ty	Denominazione	Description
-	131392	1	RASAMENTO mm. 2,2	SPACER mm. 2,2
-	131393	1	RASAMENTO mm. 2,3	SPACER mm. 2,3
42	160060	1	INGRANAGGIO CONDOTTO SU PIGNONE	DRIVEN GEAR ON PINION
-	-	-	-Non a ricambio-	-Not as spare part-
-	-	-	-Con la coppia ingranaggi rinvio-	-With the gear transmission torque-
-	-	-	-Vedi Tav. 23-	-See Table 23-
-	-	-	-No per CH-	-Not for CH-
-	156366	1	INGRANAGGIO CONDOTTO SU PIGNONE	DRIVEN GEAR ON PINION
-	-	-	-Non a ricambio-	-Not as spare part-
-	-	-	-Con la coppia ingranaggi rinvio-	-With the gear transmission torque-
-	-	-	-Vedi Tav. 23-	-See Table 23-
-	-	-	-Vale per CH-	-Valid for CH-
43	157319	1	DISTANZIALE	SPACER
44	131374	1	RASAMENTO mm. 1,8	SPACER mm. 1,8
-	131375	1	RASAMENTO mm. 1,9	SPACER mm. 1,9
-	141044	1	RASAMENTO mm. 1,95	SPACER mm. 1,95
-	131376	1	RASAMENTO mm. 2,0	SPACER mm. 2,0
-	141046	1	RASAMENTO mm. 2,05	SPACER mm. 2,05
-	131377	1	RASAMENTO mm. 2,1	SPACER mm. 2,1
-	141048	1	RASAMENTO mm. 2,15	SPACER mm. 2,15
-	131378	1	RASAMENTO mm. 2,2	SPACER mm. 2,2
-	131379	1	RASAMENTO mm. 2,3	SPACER mm. 2,3
-	157993	1	RASAMENTO mm. 2,4	SPACER mm. 2,4
-	157994	1	RASAMENTO mm. 2,5	SPACER mm. 2,5
45	131016	1	CUSCINETTO	BEARING
46	105137	1	GHIERA	RING NUT
47	131425	1	RASAMENTO mm. 2,5	SPACER mm. 2,5
-	-	-	-Vale fino al cambio No. 1738 e CH 198-	-Valid till gearbox Nr. 1738 and 198 CH-
-	-	-	-Vale per coperchio laterale Dx. 154638 - Vedi Tav. 27-	-Valid for R.H. lateral cover 154638 - See Table 27-
-	160929	1	RASAMENTO mm. 2,5	SPACER mm. 2,5
-	-	-	-Vale dal cambio No. 1739 e CH 199-	-Valid from gearbox Nr. 1739 and 199 CH-
-	-	-	-Vale per coperchio laterale Dx. 163819 - Vedi Tav. 27-	-Valid for R.H. lateral cover 163819 - See Table 27-
-	165484	1	RASAMENTO mm. 2,4	SPACER mm. 2,4
-	-	-	-Vale fino al cambio No. 1738 e CH 198-	-Valid till gearbox Nr. 1738 and 198 CH-
-	-	-	-Vale per coperchio laterale Dx. 154638 - Vedi Tav. 27-	-Valid for R.H. lateral cover 154638 - See Table 27-

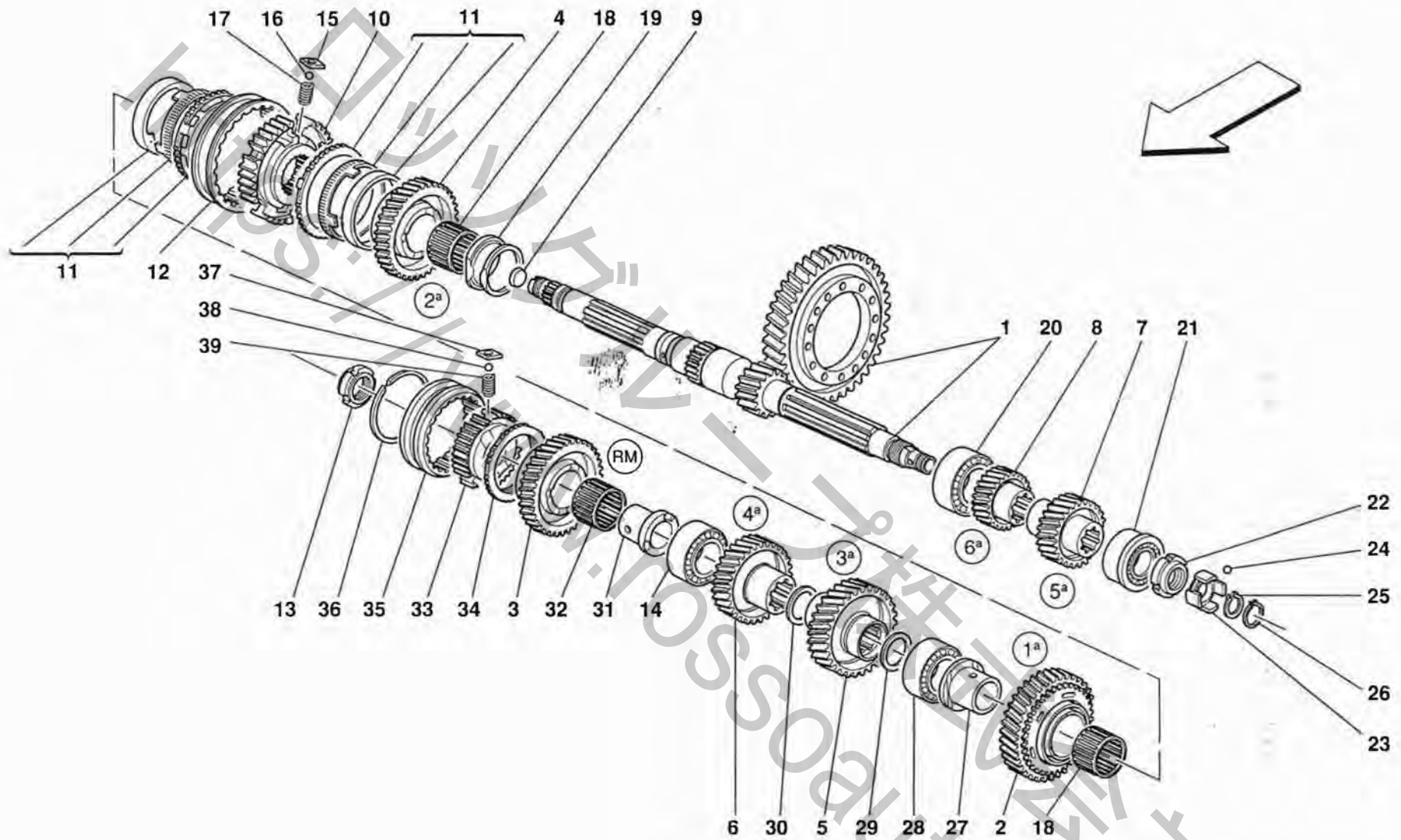


F355

RUOTISMI ALBERO PRIMARIO CAMBIO
MAIN SHAFT GEARS

TAV. 28
DATA: GIUGNO '95

<i>Rif</i>	<i>Dis.n° Part.N°</i>	<i>Q.ty</i>	<i>Denominazione</i>	<i>Description</i>	<i>Rif</i>	<i>Dis.N° Part.N°</i>	<i>Q.ty</i>	<i>Denominazione</i>	<i>Description</i>
-	160939	1	RASAMENTO mm. 2,4 -Vale dal cambio No. 1739 e CH 199- -Vale per coperchio laterale Dx. 163819 - Vedi Tav. 27-	SPACER mm. 2,4 -Valid from gearbox Nr. 1739 and 199 CH- -Valid for R.H. lateral cover 163819 - See Table 27-	-	160940	1	RASAMENTO mm. 2,6 -Vale dal cambio No. 1739 e CH 199- -Vale per coperchio laterale Dx. 163819 - Vedi Tav. 27-	SPACER mm. 2,6 -Valid from gearbox Nr. 1739 and 199 CH- -Valid for R.H. lateral cover 163819 - See Table 27-
-	165485	1	RASAMENTO mm. 2,6 -Vale fino al cambio No. 1738 e CH 198- -Vale per coperchio laterale Dx. 154638 - Vedi Tav. 27-	SPACER mm. 2,6 -Valid till gearbox Nr. 1738 and 198 CH- -Valid for R.H. lateral cover 154638 - See Table 27-					



F355

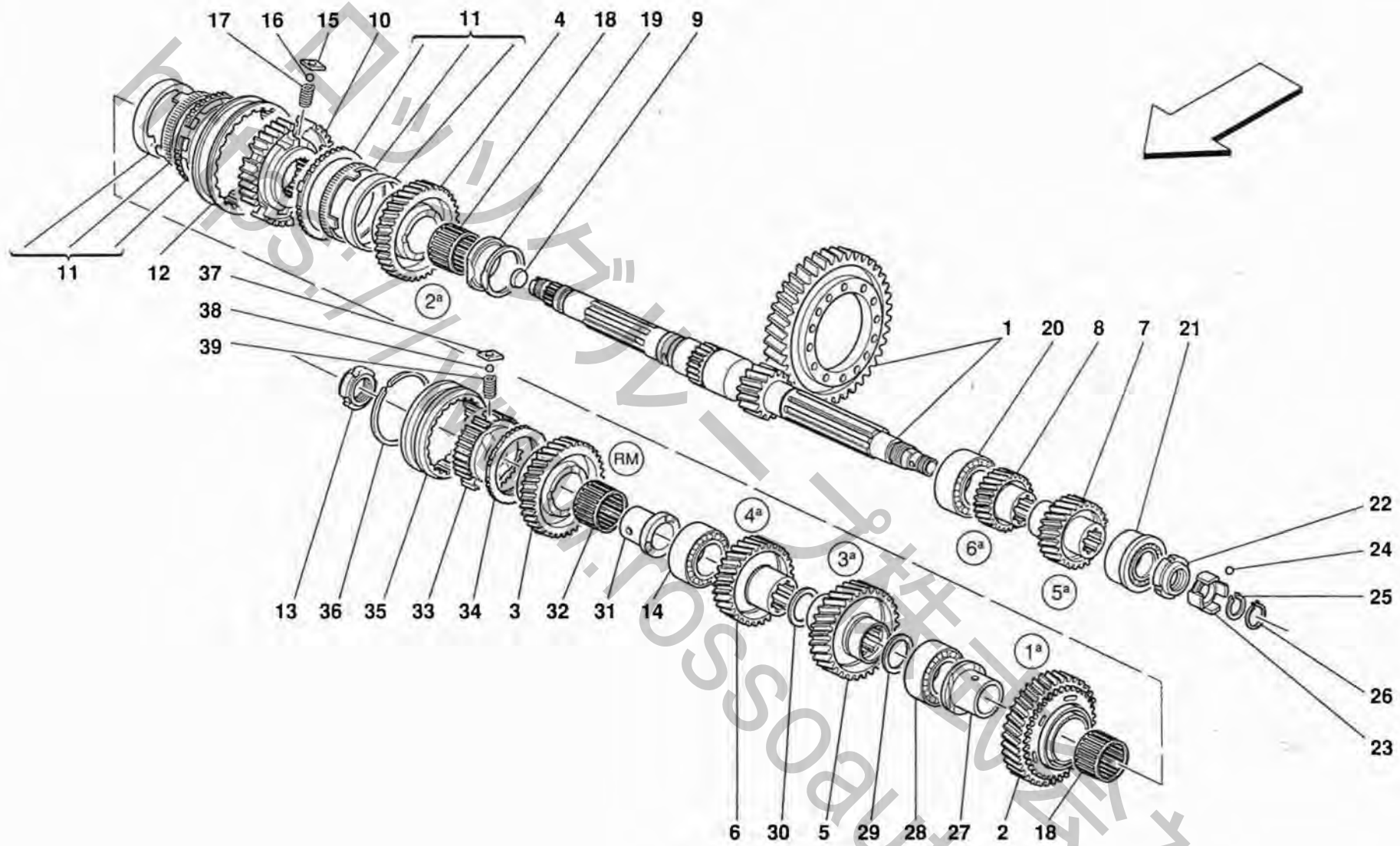
RUOTISMI ALBERO SECONDARIO CAMBIO
LAY SHAFT GEARS

TAV. 29

DATA: GIUGNO '95

Rif	Dis. N° Part. N°	Q.ty	Denominazione	Description
-	70000828	1	SERIE COMPL. ALBERO PRIMARIO/1a E 2a VEL.	PINION COMPLETE KIT FOR MAIN SHAFT/1st GEAR AND 2nd GEAR
-	70000829	1	SERIE COMPL. INGRANAGGI FOLLE/RM -Vale fino al cambio No. 348- -Vale per perno 153992- -Vedi Tav. 27 Pos. 2- -Non piu' a ricambio- -Sostituita dalla 70000846-	PINION COMPLETE KIT FOR NEUTRAL/REVERSE -Valid till gearbox Nr. 348- -Valid for pin 153992- -See Table 27 Pos. 2- -Not as spare part now- -Replaced by 70000846-
-	70000846	1	SERIE COMPL. INGRANAGGI FOLLE/RM -Vale dal cambio No. 349- -Vale per perno 160937- -Vedi Tav. 27 Pos. 2-	PINION COMPLETE KIT FOR NEUTRAL/REVERSE -Valid from gearbox Nr. 349- -Valid for pin 160937- -See Table 27 Pos. 2-
-	70000830	1	SERIE COMPL. INGRANAGGI 3a VEL.	PINION COMPLETE KIT FOR 3rd GEAR
-	70000831	1	SERIE COMPL. INGRANAGGI 4a VEL.	PINION COMPLETE KIT FOR 4th GEAR
-	70000832	1	SERIE COMPL. INGRANAGGI 5a VEL.	PINION COMPLETE KIT FOR 5th GEAR
-	70000833	1	SERIE COMPL. INGRANAGGI 6a VEL. -No per CH-	PINION COMPLETE KIT FOR 6th GEAR -Not for CH-
-	70000838	1	SERIE COMPL. INGRANAGGI 6a VEL. -Vale per CH-	PINION COMPLETE KIT FOR 6th GEAR -Valid for CH-
1	70000834	1	COPPIA CILINDRICA COMPLETA	COMPLETE BEVEL GEAR PAIR
2	156932	1	INGRANAGGIO 1a VEL. COMPL. -Non a ricambio- -Solo con la serie compl. albero primario/1a Vel. e 2a Vel.-	COMPLETE PINION FOR 1st GEAR -Not as spare part- -With the pinion complete kit for main shaft/1st gear and 2nd gear only-
3	155660	1	INGRANAGGIO RM COMPL. -Non a ricambio- -Solo con la serie ingranaggi Folle/RM-	COMPLETE REVERSE GEAR -Not as spare part- -With the pinion kit for Neutral/Reverse only-
4	156935	1	INGRANAGGIO 2a VEL. COMPL. -Non a ricambio- -Solo con la serie compl. albero primario/1a Vel. e 2a Vel.-	COMPLETE PINION FOR 2nd GEAR -Not as spare part- -With the pinion complete kit for main shaft/1st gear and 2nd gear only-

Rif	Dis. N° Part. N°	Q.ty	Denominazione	Description
5	155648	1	INGRANAGGIO 3a VEL. COMPL. -Non a ricambio- -Solo con la serie compl. ingranaggi 3a Vel.-	COMPLETE PINION FOR 3rd GEAR -Not as spare part- -With the pinion complete kit for 3rd gear only-
6	155649	1	INGRANAGGIO 4a VEL. COMPL. -Non a ricambio- -Solo con la serie compl. ingranaggi 4a Vel.-	COMPLETE PINION FOR 4th GEAR -Not as spare part- -With the pinion complete kit for 4th gear only-
7	155650	1	INGRANAGGIO 5a VEL. COMPL. -Non a ricambio- -Solo con la serie compl. ingranaggi 5a Vel.-	COMPLETE PINION FOR 5th GEAR -Not as spare part- -With the pinion complete kit for 5th gear only-
8	161914	1	INGRANAGGIO 6a VEL. COMPL. -Non a ricambio- -Solo con la serie compl. ingranaggi 6a Vel.- -No per CH-	COMPLETE PINION FOR 6th GEAR -Not as spare part- -With the pinion complete kit for 6th gear only- -Not for CH-
-	155651	1	INGRANAGGIO 6a VEL. COMPL. -Non a ricambio- -Solo con la serie compl. ingranaggi 6a Vel.- -Vale per CH-	COMPLETE PINION FOR 6th GEAR -Not as spare part- -With the pinion complete kit for 6th gear only- -Valid for CH-
9	14328501	1	TAPPO AD ESPANSIONE	PLUG
10	157151	1	CORPO SINCRONIZZATORE COMPL.	COMPLETE SYNCHRONIZER BODY
11	159088	2	SERIE ANELLI SINCRONIZZATORE	SYNCHRONIZER RINGS SET
12	156931	1	MANICOTTO PER SINCRONIZZATORE	SLEEVE FOR SYNCHRONIZER
13	159249	1	GHIERA	RING NUT
14	157179	1	CUSCINETTO	BEARING
15	157051	3	TASSELLO PER SINCRONIZZATORE	PAD FOR SYNCHRONIZER
16	157050	3	SFERA	BALL
17	157049	3	MOLLA PER TASSELLO	SPRING FOR PAD
18	104254	2	GABBIA A RULLINI	ROLLER CAGE
19	151573	1	DISTANZIALE	SPACER
20	131334	1	CUSCINETTO	BEARING
21	155694	1	CUSCINETTO	BEARING
22	153002	1	GHIERA	RING NUT
23	122145	1	DISCO TRASMETTITORE	TRANSMITTING DISC
24	101611	1	SFERA	BALL
25	11067276	1	ANELLO SEEGER	SEEGER RING
26	113087	1	GUARNIZIONE	GASKET



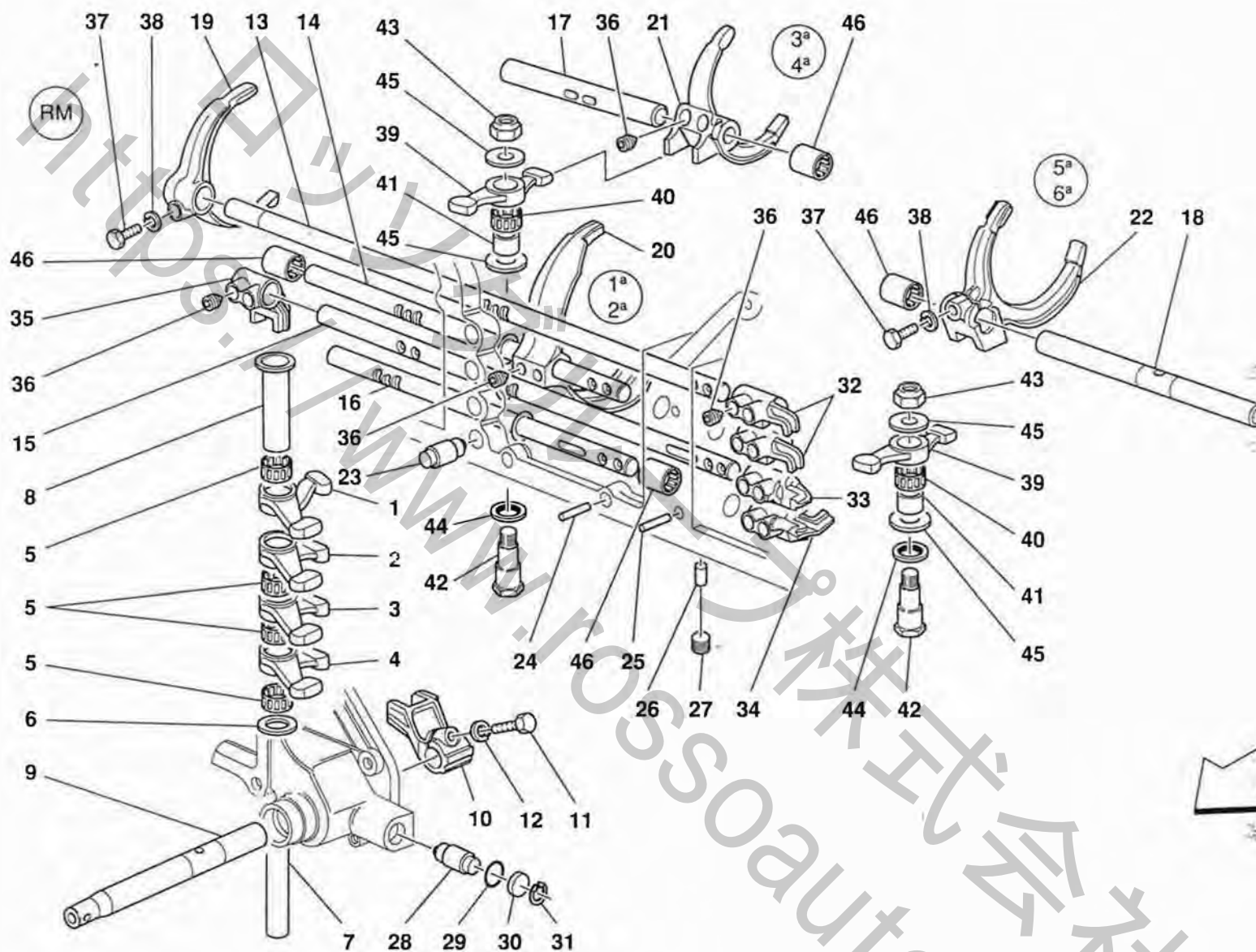
F355

RUOTISI ALBERO SECONDARIO CAMBIO
LAY SHAFT GEARS

TAV. 29

DATA: GIUGNO '95

<i>Rif</i>	<i>Dis.N° Part.N°</i>	<i>Q.ty</i>	<i>Denominazione</i>	<i>Description</i>	<i>Rif</i>	<i>Dis.N° Part.N°</i>	<i>Q.ty</i>	<i>Denominazione</i>	<i>Description</i>
27	151574	1	BOCCOLA	BUSHING	33	154475	1	CORPO SINCRONIZZATORE COMPL.	COMPLETE SYNCHRONIZER BODY
28	157177	1	CUSCINETTO	BEARING	34	152479	1	ANELLO SINCRONIZZATORE	SYNCHRONIZER RING
29	163035	1	RASAMENTO mm. 0,3	SPACER mm. 0,3	35	152206	1	MANICOTTO PER SINCRONIZZATORE	SLEEVE FOR SYNCHRONIZER
-	163034	1	RASAMENTO mm. 0,5	SPACER mm. 0,5	36	156655	1	ANELLO DI FERMO	LOCK RING
30	125701	1	ROSETTA mm. 0,3	WASHER mm. 0,3	37	152195	3	TASSELLO PER SINCRONIZZATORE	PAD FOR SYNCHRONIZER
-			-Di eventuale montaggio-	-Possible fitting-	38	152197	3	SFERA	BALL
-	125767	1	ROSETTA mm. 0,5	WASHER mm. 0,5	39	164103	3	MOLLA PER TASSELLO	SPRING FOR PAD
-			-Di eventuale montaggio-	-Possible fitting-					
31	153991	1	BOCCOLA	BUSHING					
32	159193	1	GABBIA A RULLINI	ROLLER CAGE					

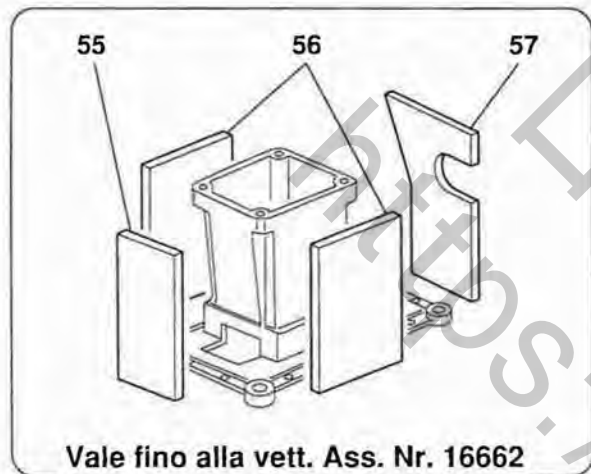


F355

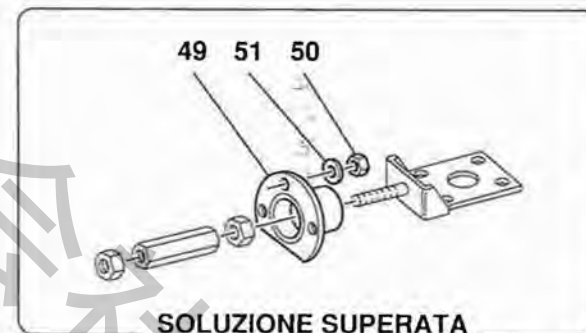
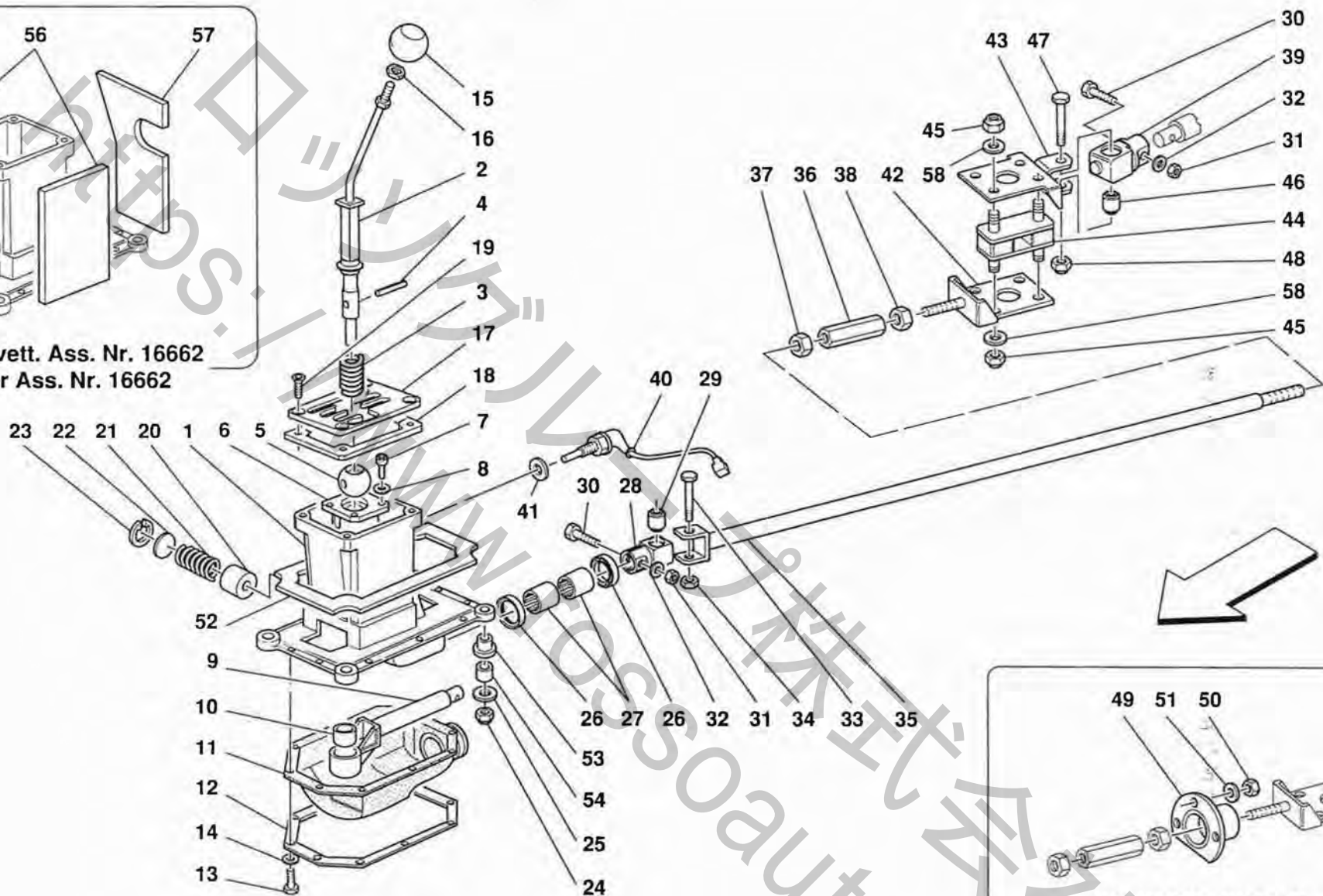
COMANDI INTERNI CAMBIO
INSIDE GEARBOX CONTROLS

TAV. 30
DATA: GIUGNO '95

Rif	Dis.N° Part.N°	Q.ty	Denominazione	Description	Rif	Dis.N° Part.N°	Q.ty	Denominazione	Description
1	155211	1	BILANCIERE COMANDO RM.	REVERSE CONTROL ROCKER ARM	27	14326050	1	TAPPO FILETTATO	THREADED PLUG
2	155212	1	BILANCIERE COMANDO 1a E 2a VEL.	1st AND 2nd CONTROL ROCKER ARM	28	153719	1	PUNTALINO	PIN
3	155213	1	BILANCIERE COMANDO 3a E 4a VEL.	3rd AND 4th CONTROL ROCKER ARM	29	153718	1	GUARNIZIONE O.R.	O.R. GASKET
4	155214	1	BILANCIERE COMANDO 5a E 6a VEL.	5rd AND 6th CONTROL ROCKER ARM	30	154698	1	PASTIGLIA PER PUNTALINO	DISC FOR PIN
5	131895	4	GABBIA A RULLINI	ROLLER CAGE	31	11057476	1	ANELLO DI ARRESTO	STOP RING
6	131930	1	ROSETTA	WASHER	32	157161	2	FORCELLINA COMANDO ASTA RM, 1a E 2a VEL.	REVERSE, 1st AND 2nd ROD CONTROL SMALL FORK
7	131928	1	PERNO TENUTA BILANCIERI	ROCKER ARMS RETAINING PIN	33	157162	1	FORCELLINA COMANDO ASTA 3a E 4a VEL.	3rd AND 4th ROD CONTROL SMALL FORK
8	142236	1	BOCCOLA	BUSHING	34	157163	1	FORCELLINA COMANDO ASTA 5a E 6a VEL.	5th AND 6th ROD CONTROL SMALL FORK
9	155836	1	ASTA COMANDO CAMBIO	CONTROL ROD FOR GEARBOX	35	157646	1	FORCELLINA COMANDO BILANCIERE 3a E 4a VEL.	3rd AND 4th GEAR ROCKER ARM CONTROL FORK
10	155717	1	FORCELLA COMANDO BILANCIERI	ROCKER ARMS CONTROL FORK	36	142245	14	VITE	SCREW
11	16043934	1	VITE	SCREW	37	16043621	2	VITE	SCREW
12	127496	1	ROSETTA	WASHER	38	127496	2	ROSETTA	WASHER
13	157105	1	ASTA COMANDO RM -Vale fino ad esaurimento-	CONTROL ROD FOR REVERSE -Valid till stock exhaustion-	39	142246	2	BILANCIERE COMANDO FORCELLE 3a, 4a, 5a E 6a VEL.	3rd, 4th, 5th AND 6th FORKS CONTROL ROCKER ARM
-	164157	1	ASTA COMANDO RM -Vale dopo esaurimento del 157105-	CONTROL ROD FOR REVERSE -Valid after stock exhaustion of 157105-	40	131895	2	GABBIA A RULLINI	ROLLER CAGE
14	160839	1	ASTA COMANDO 1a E 2a VEL. -Vale fino ad esaurimento-	ROD FOR 1st AND 2nd GEAR -Valid till stock exhaustion-	41	138733	2	BOCCOLA	BUSHING
-	164126	1	ASTA COMANDO 1a E 2a VEL. -Vale dopo esaurimento del 160839-	ROD FOR 1st AND 2nd GEAR -Valid after stock exhaustion of 160839-	42	154693	2	VITE	SCREW
15	157107	1	ASTA COMANDO 3a E 4a VEL. -Vale fino ad esaurimento-	ROD FOR 3rd AND 4th GEAR -Valid till stock exhaustion-	43	16109221	2	DADO	NUT
-	164124	1	ASTA COMANDO 3a E 4a VEL. -Vale dopo esaurimento del 157107-	ROD FOR 3rd AND 4th GEAR -Valid after stock exhaustion of 157107-	44	154690	2	GUARNIZIONE	GASKET
16	157108	1	ASTA COMANDO 5a E 6a VEL. -Vale fino ad esaurimento-	ROD FOR 5th AND 6th GEAR -Valid till stock exhaustion-	45	131930	2	ROSETTA mm. 2,0 -Di eventuale montaggio-	WASHER mm. 2,0 -Possible fitting-
-	164156	1	ASTA COMANDO 5a E 6a VEL. -Vale dopo esaurimento del 157108-	ROD FOR 5th AND 6th GEAR -Valid after stock exhaustion of 157108-	-	163203	2	ROSETTA mm. 1,6 -Di eventuale montaggio-	WASHER mm. 1,6 -Possible fitting-
17	151570	1	ASTA PER FORCELLA 3a E 4a VEL.	FORK ROD FOR 3rd AND 4th GEAR	-	163202	2	ROSETTA mm. 1,7 -Di eventuale montaggio-	WASHER mm. 1,7 -Possible fitting-
18	142253	1	ASTA PER FORCELLA 5a E 6a VEL.	FORK ROD FOR 5th AND 6th GEAR	-	163201	2	ROSETTA mm. 1,8 -Di eventuale montaggio-	WASHER mm. 1,8 -Possible fitting-
19	151596	1	FORCELLA COMANDO RM	CONTROL FORK FOR REVERSE	-	141208	2	ROSETTA mm. 1,9 -Di eventuale montaggio-	WASHER mm. 1,9 -Possible fitting-
20	159563	1	FORCELLA COMANDO 1a E 2a VEL.	CONTROL FORK FOR 1st AND 2nd GEAR	-	141210	2	ROSETTA mm. 2,1 -Di eventuale montaggio-	WASHER mm. 2,1 -Possible fitting-
21	151594	1	FORCELLA COMANDO 3a E 4a VEL.	CONTROL FORK FOR 3rd AND 4th GEAR	-	141211	2	ROSETTA mm. 2,2 -Di eventuale montaggio-	WASHER mm. 2,2 -Possible fitting-
22	151595	1	FORCELLA COMANDO 5a E 6a VEL.	CONTROL FORK FOR 5th AND 6th GEAR	-	142187	2	ROSETTA mm. 2,3 -Di eventuale montaggio-	WASHER mm. 2,3 -Possible fitting-
23	153719	4	PUNTALINO	PIN	-	142188	2	ROSETTA mm. 2,4 -Di eventuale montaggio-	WASHER mm. 2,4 -Possible fitting-
24	159909	1	RULLINO ASTA 3a E 4a VEL.	3rd AND 4th GEAR ROD ROLLER	46	143341	10	BOCCOLA	BUSHING
25	157787	1	RULLINO ASTA 5a E 6a VEL.	5th AND 6th GEAR ROD ROLLER					
26	142255	3	RULLINO ARRESTO ASTE	RODS STOPPING ROLLER					



Vale fino alla vett. Ass. Nr. 16662
Valid till car Ass. Nr. 16662



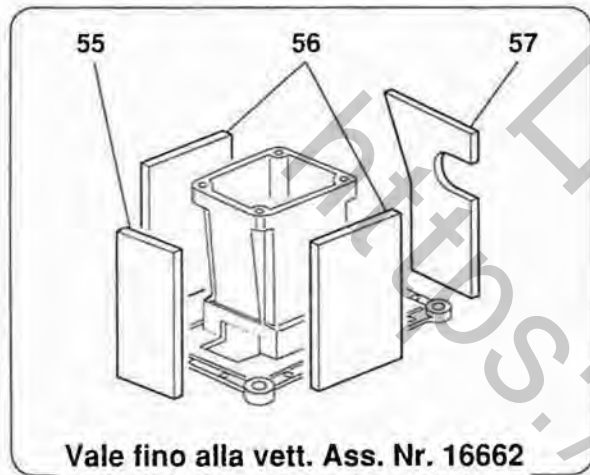
SOLUZIONE SUPERATA
OLD SOLUTION

F355

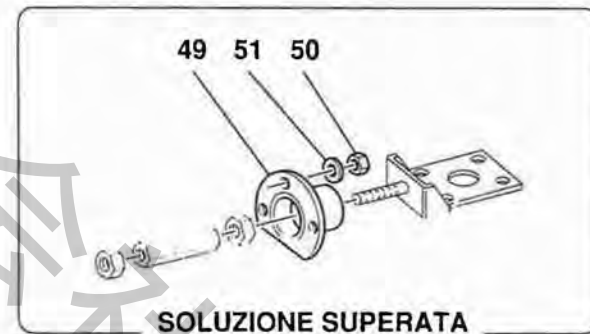
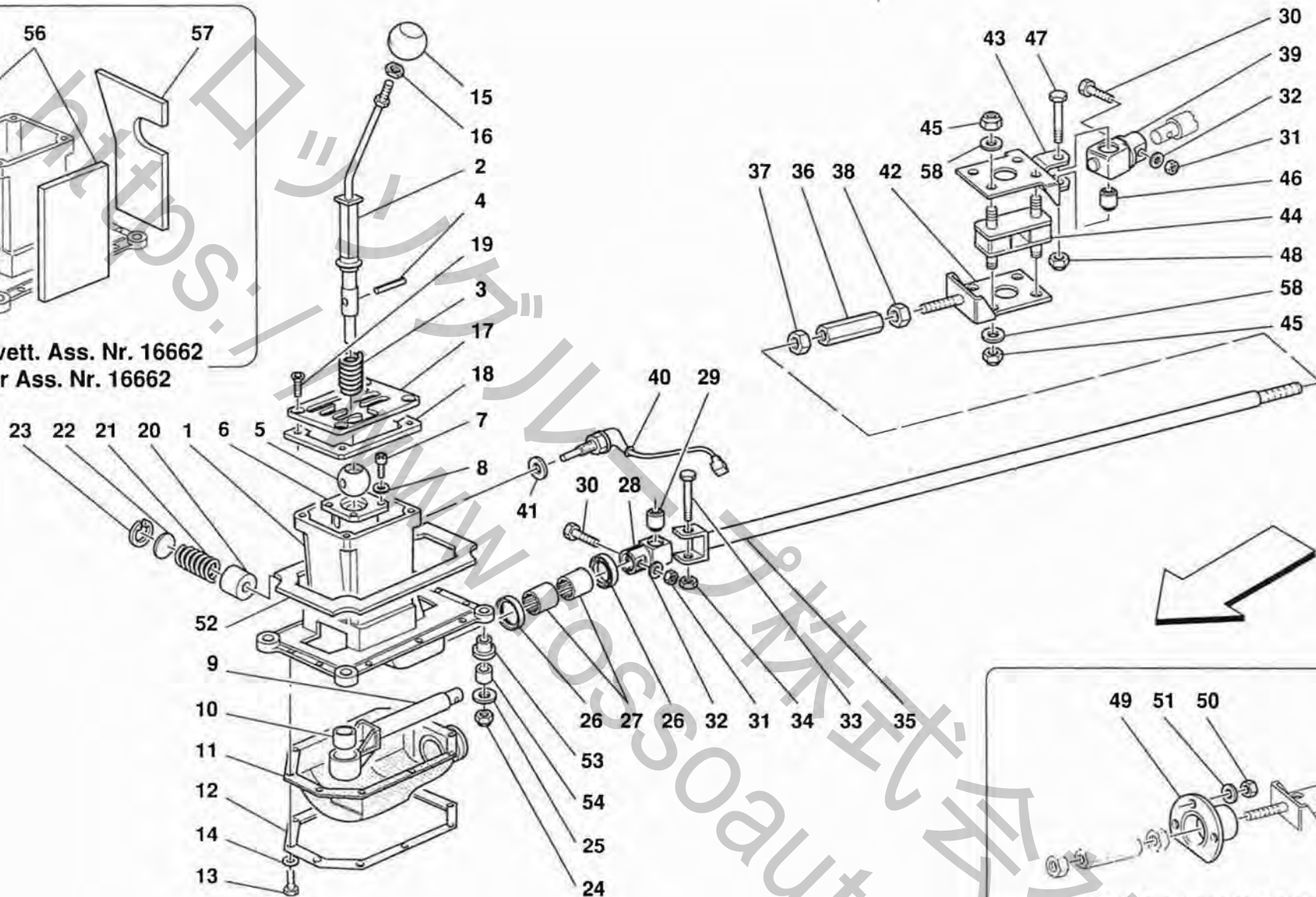
COMANDI ESTERNI CAMBIO
OUTSIDE GEARBOX CONTROLS

TAV. 31
DATA: GIUGNO '95

Rif	Dis. Part.N°	Q.ty	Denominazione	Description	Rif	Dis.N° Part.N°	Q.ty	Denominazione	Description
1	154736	1	SCATOLA COMANDO CAMBIO -No per GD- -Vale fino alla vett. Ass. Nr. 16662- -Non piu' a ricambio- -Sostituita dalla 154771-	GEARBOX CONTROL CASE -Not for GD- -Valid till car Ass. Nr. 16662- -Not as spare part now- -Replaced by 154771-	16	108010	1	CONTRODADO	COUNTER NUT
-	154771	1	SCATOLA COMANDO CAMBIO -No per GD- -Vale dalla vett. Ass. Nr. 16663-	GEARBOX CONTROL CASE -Not for GD- -Valid from car Ass. Nr. 16663-	17	152072	1	SELETTORE MARCE	GEAR SELECTOR
-	163800	1	SCATOLA COMANDO CAMBIO -Vale per GD-	GEARBOX CONTROL CASE -Valid for GD-	18	159389	1	GUARNIZIONE	GASKET
2	163169	1	LEVA COMANDO CAMBIO -No per GD-	GEARBOX CONTROL LEVER -Not for GD-	19	159357	4	VITE	SCREW
-	163801	1	LEVA COMANDO CAMBIO -Vale per GD-	GEARBOX CONTROL LEVER -Valid for GD-	20	154744	1	PUNTALINO	PIN
3	159137	1	MOLLA	SPRING	21	147790	1	MOLLA	SPRING
4	146994	1	SPINA CILINDRICA	DOWEL BOLT	22	103319	1	DISCHETTO RITEGNO MOLLA	SPRING RETAINING DISC
5	154745	1	SFERA	BALL	23	103326	1	ANELLO SEEGER	SEEGER RING
6	154741	1	BOCCOLA CONTENIMENTO SFERA	BALL CONTAINING BUSHING	24	101139	4	DADO	NUT
7	14303024	4	VITE	SCREW	25	107409	4	ROSETTA	WASHER
8	161011	4	ROSETTA	WASHER	26	145773	2	GUARNIZIONE	GASKET
9	154737	1	ASTA DI RINVIO COMANDO CAMBIO	GEARBOX CONTROL TRANSMISSION ROD	27	149907	2	BOCCOLA	BUSHING
10	127446	1	SEDE SFERICA SNODO	BALL JOINT SEAT	28	159427	1	OCCHIELLO PER SNODO	BUSH WITH JOINT
11	154738	1	SOFFIETTO -Vale fino ad esaurimento-	RUBBER BOOT -Valid till stock exhaustion-	29	139555	1	SILENTBLOCK	SILENTBLOCK
-	165618	1	SOFFIETTO -Vale dopo esaurimento del 154738-	RUBBER BOOT -Valid after stock exhaustion of 154738-	30	125515	2	VITE	SCREW
12	151331	1	LAMIERINO DI RINFORZO -Vale per scatola comando cambio 154736- -No per GD-	REINFORCEMENT PLATE -Valid for gearbox control case 154736- -Not for GD-	31	12574211	2	DADO	NUT
-	163855	1	LAMIERINO DI RINFORZO -Vale per scatola comando cambio 154771- -No per GD-	REINFORCEMENT PLATE -Valid for gearbox control case 154771- -Not for GD-	32	125516	2	ROSETTA	WASHER
-	151331	1	LAMIERINO DI RINFORZO -Vale per GD-	REINFORCEMENT PLATE -Valid for GD-	33	107830	1	VITE	SCREW
13	13273911	8	VITE	SCREW	34	101309	1	DADO	NUT
14	127493	8	ROSETTA	WASHER	35	163518	1	BARRA ANT. COMANDO CAMBIO	FRONT CONTROL BAR FOR GEARBOX
15	160480	1	POMELLO	KNOB	36	103321	1	REGISTRO	REGISTER
					37	10791221	1	DADO	NUT
					38	10791921	1	DADO FIL. SX.	L.H. THREADED NUT
					39	159448	1	OCCHIELLO PER SNODO	BUSH WITH JOINT
					40	115980	1	INTERRUTTORE RETROMARCIA	REVERSE GEAR SWITCH
					41	12601579	1	ROSETTA	WASHER
					42	163522	1	BARRA POST. COMANDO CAMBIO PARTE ANT.	FRONT PART REAR CONTROL BAR FOR GEARBOX
					43	163526	1	BARRA POST. COMANDO CAMBIO PARTE POST.	REAR PART REAR CONTROL BAR FOR GEARBOX
					44	163525	2	TAMPONE PER BARRA	BAR BUFFER
					45	14058519	8	DADO	NUT
					46	139555	1	SILENTBLOCK	SILENTBLOCK
					47	107830	1	VITE	SCREW
					48	101309	1	DADO	NUT
					49	160872	1	TUBO FLANGIATO	FLANGED TUBE
					50	12574221	3	DADO	NUT
					51	14496421	3	ROSETTA	WASHER
					52	163986	1	GUARNIZIONE	GASKET
					53	163128	8	BOCCOLINA ANTIVIBRANTE	ANTI-VIBRATIONS BUSHING
					54	107980	4	DISTANZIALE	SPACER



Vale fino alla vett. Ass. Nr. 16662
Valid till car Ass. Nr. 16662



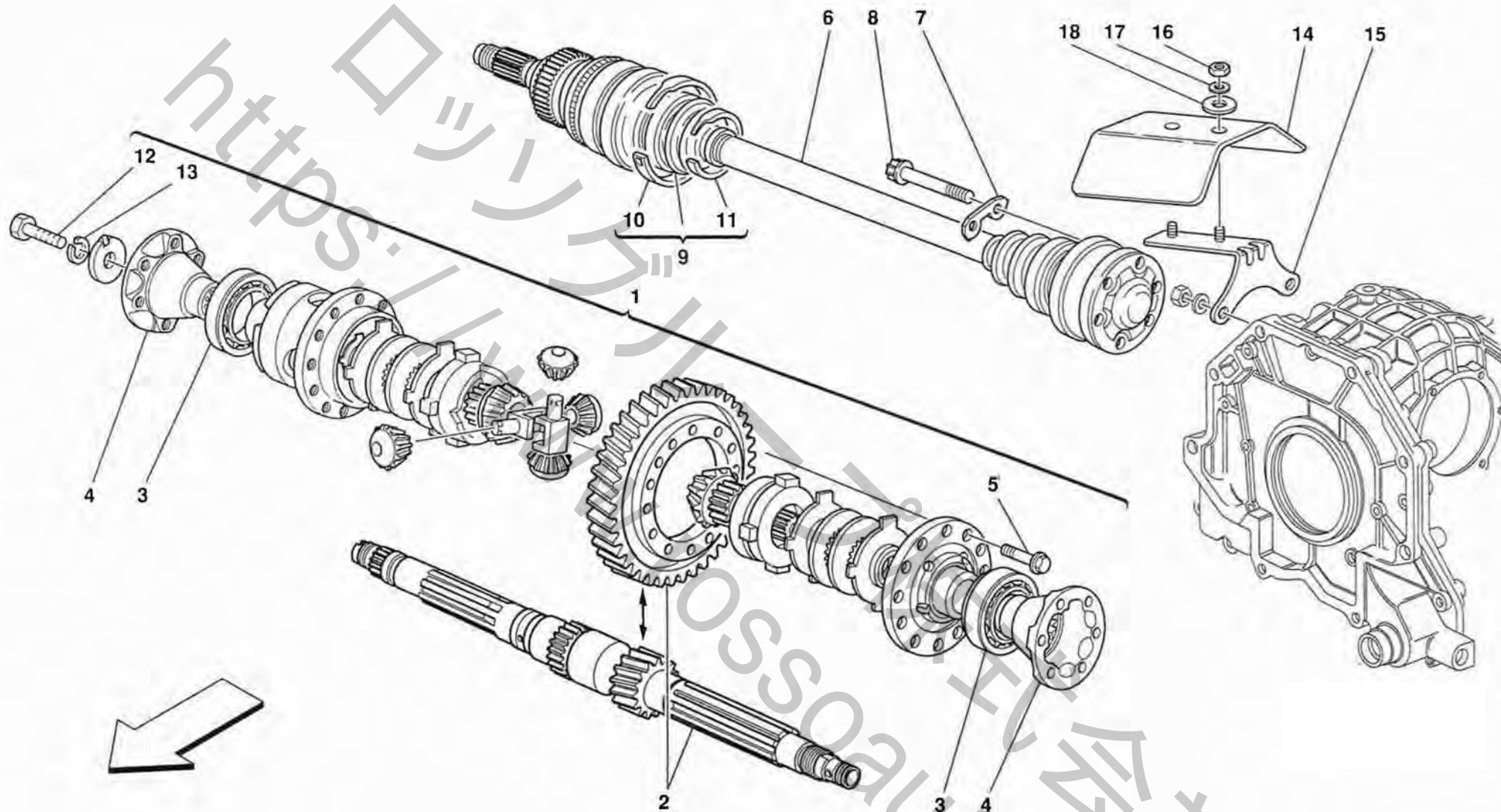
SOLUZIONE SUPERATA
OLD SOLUTION

F355

COMANDI ESTERNI CAMBIO
OUTSIDE GEARBOX CONTROLS

TAV. 31
DATA: GIUGNO '95

<i>Rif</i>	<i>Dis.N° Part.N°</i>	<i>Q.ty</i>	<i>Denominazione</i>	<i>Description</i>	<i>Rif</i>	<i>Dis.N° Part.N°</i>	<i>Q.ty</i>	<i>Denominazione</i>	<i>Description</i>
55	163213	1	INSONORIZZANTE LATO ANT.	FRONT SIDE SILENCER -Vale per scatola comando cambio 154736-	57	163214	1	INSONORIZZANTE LATO POST.	REAR SIDE SILENCER -Vale per scatola comando cambio 154736-
				-Valid for gearbox control case 154736-					-Valid for gearbox control case 154736-
56	163215	2	INSONORIZZANTE LATERALE	LATERAL SILENCER -Vale per scatola comando cambio 154736-	58	12601374	8	ROSETTA	WASHER
				-Valid for gearbox control case 154736-					



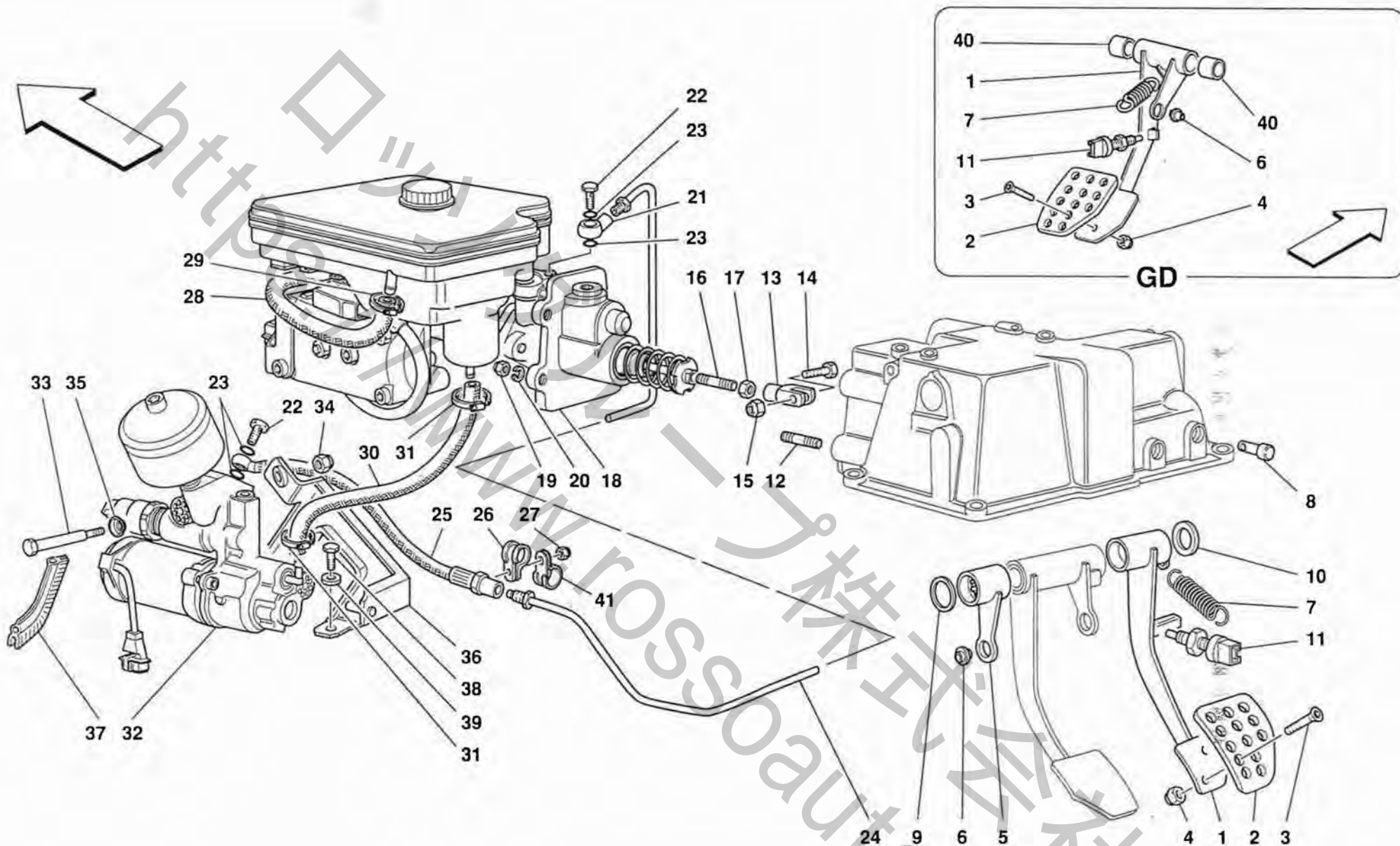
F355

DIFFERENZIALE E SEMIASSI
DIFFERENTIAL AND AXLE SHAFTS

TAV. 32

DATA: GIUGNO '95

<i>Rif</i>	<i>Dis.N° Part.N°</i>	<i>Q.ty</i>	<i>Denominazione</i>	<i>Description</i>	<i>Rif</i>	<i>Dis.N° Part.N°</i>	<i>Q.ty</i>	<i>Denominazione</i>	<i>Description</i>
1	162924	1	DIFFERENZIALE COMPLETO	COMPLETE DIFFERENTIAL	9	70000781	2	KIT SOSTITUZIONE CUFFIA	PROTECTION REPLACEMENT
2	70000834	1	COPIA CILINDRICA COMPLETA	COMPLETE BEVEL GEAR PAIR				-Lato cambio-	SET - Gearbox side-
3	125390	2	CUSCINETTO	BEARING	-	70000782	2	KIT SOSTITUZIONE CUFFIA	PROTECTION REPLACEMENT
4	139898	2	FLANGIA ATTACCO SEMIASSE	FLANGE FOR AXLE COUPLING				-Lato ruota-	SET - Wheel side-
5	162920	12	VITE	SCREW	10	154214	4	FASCETTA GRANDE	BIG CLAMP
6	152724	2	SEMIASSE COMPLETO	COMPLETE AXLE SHAFT	11	154213	4	FASCETTA PICCOLA	SMALL CLAMP
			-Vale fino ad esaurimento-	-Valid till stock exhaustion-	12	11399121	2	VITE	SCREW
-	165071	2	SEMIASSE COMPLETO	COMPLETE AXLE SHAFT	13	10517070	2	ROSETTA	WASHER
			-Vale dopo esaurimento del 152724-	-Valid after stock exhaustion of 152724-	14	164481	1	PARATIA ANTICALORE DX.	R.H. ANTI-HEAT SHIELD
7	149415	6	PIASTRINA RASAMENTO	SCRAPING PLATE	-	164482	1	PARATIA ANTICALORE SX.	L.H. ANTI-HEAT SHIELD
8	160556	12	VITE	SCREW	15	164480	2	STAFFA SUPPORTO PARATIA	SHIELD SUPPORTING BRACKET
			-Non piu' a ricambio-	-Not as spare part now-	16	10725914	4	DADO	NUT
			-Sostituita dalla 164483-	-Replaced by 164483-	17	127494	4	ROSETTA	WASHER
-	164483	12	VITE	SCREW	18	12640624	4	ROSETTA	WASHER



F355

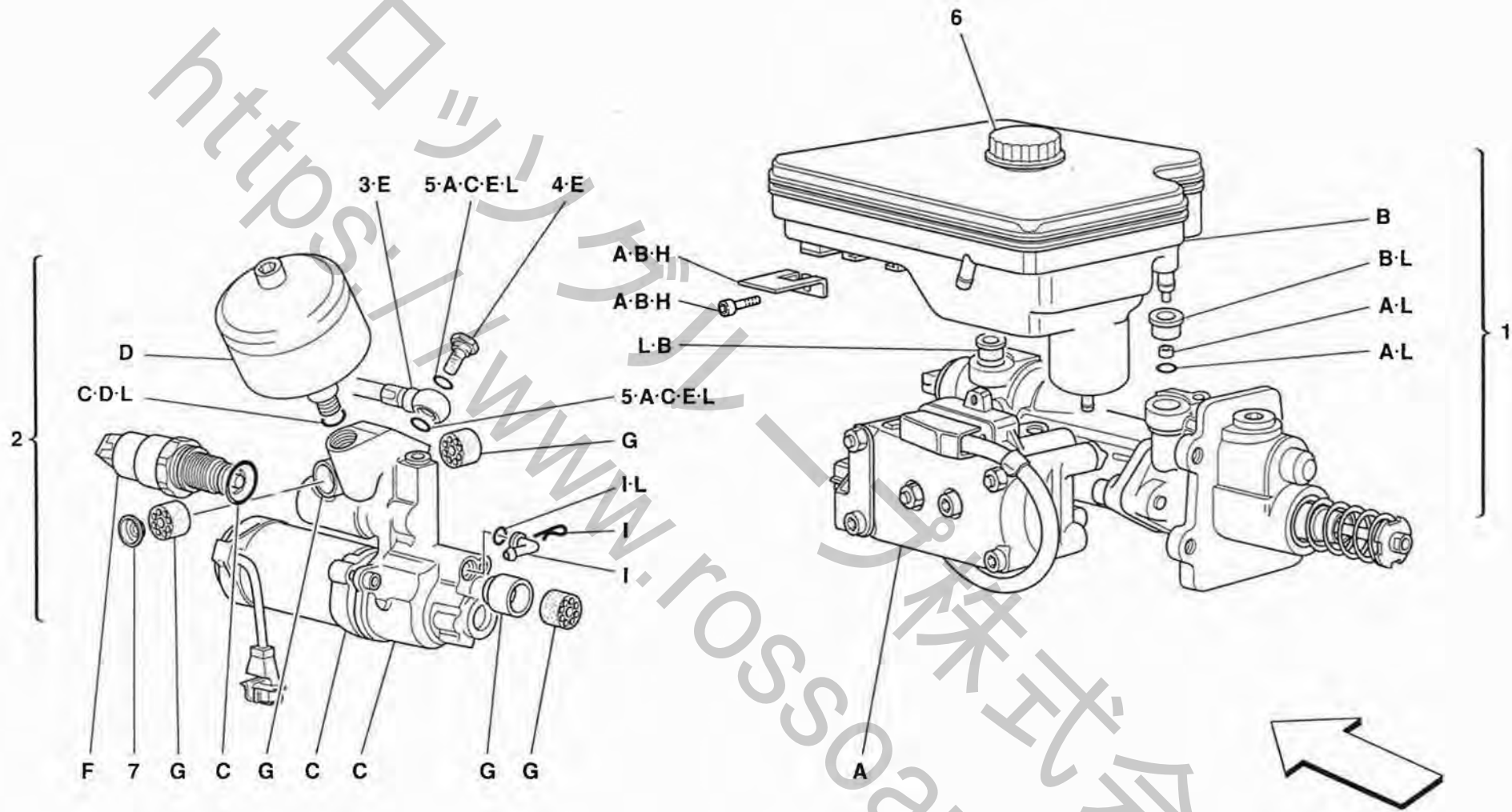
COMANDO IDRAULICO FRENI
BRAKE HYDRAULIC SYSTEM

TAV. 33

DATA: GIUGNO '95

Rif	Dis.N° Part.N°	Q.ty	Denominazione	Description
1	157267	1	PEDALE FRENO -No per GD-	BRAKE PEDAL -Not for GD-
-	161947	1	PEDALE FRENO -Vale per GD-	BRAKE PEDAL -Valid for GD-
2	162535	1	PIASTRA FORATA PEDALE FRENO	BRAKE PEDAL DRILLED PLATE
3	14441324	2	VITE	SCREW
4	14058411	2	DADO	NUT
5	129609	1	LEVA RINVIO -No per GD-	TRANSMISSION LEVER -Not for GD-
6	109407	1	SNODO SFERICO	BALL JOINT
7	101305	1	MOLLA	SPRING
8	129612	1	PERNO	PIN
9	112125	1	ROSETTA DI RASAMENTO -No per GD-	SPACER WASHER -Not for GD-
10	112127	1	ROSETTA mm. 0,9 -Di eventuale montaggio- -No per GD-	WASHER mm. 0,9 -Possible fitting- -Not for GD-
-	112128	1	ROSETTA mm. 1,0 -Di eventuale montaggio- -No per GD-	WASHER mm. 1,0 -Possible fitting- -Not for GD-
-	112129	1	ROSETTA mm. 1,1 -Di eventuale montaggio- -No per GD-	WASHER mm. 1,1 -Possible fitting- -Not for GD-
-	112130	1	ROSETTA mm. 1,2 -Di eventuale montaggio- -No per GD-	WASHER mm. 1,2 -Possible fitting- -Not for GD-
-	112131	1	ROSETTA mm. 1,3 -Di eventuale montaggio- -No per GD-	WASHER mm. 1,3 -Possible fitting- -Not for GD-
11	133555	1	INTERRUTTORE COMANDO STOP	STOP CONTROL SWITCH
12	13543424	4	PRIGIONIERO	STUD
13	10007871	1	FORCELLA	FORK
14	16043621	1	VITE	SCREW
15	147985	1	DADO	NUT
16	13517124	1	PRIGIONIERO	STUD
17	16102324	1	DADO	NUT
18	148839	1	CENTRALINA IDRAULICA ANTISKID -Non a ricambio- -Con il kit 70000768- -Vedi Tav. 34-	ANTISKID HYDRAULIC CONTROL STATION -Not as spare part- -With the kit 70000768- -See Table 34-

Rif	Dis.N° Part.N°	Q.ty	Denominazione	Description
19	104030	4	DADO	NUT
20	12601374	4	ROSETTA	WASHER
21	136311	1	RACCORDO	UNION
22	131873	2	BOCCHETTONE	UNION
23	131874	4	GUARNIZIONE O.R.	O.R. GASKET
24	143676	1	TUBO FRENO -No per GD-	BRAKE PIPE -Not for GD-
-	143677	1	TUBO FRENO -Vale per GD-	BRAKE PIPE -Valid for GD-
25	136315	1	TUBO FLESSIBILE	HOSE
26	10441590	1	STAFFETTA CON GUAINA	BRACKET WITH SHEATH
27	12575411	1	DADO	NUT
28	151845	1	TUBO DA POMPA FRIZIONE A SERBATOIO -No per GD-	PIPE FROM CLUTCH PUMP TO TANK -Not for GD-
-	134903	1	TUBO DA POMPA FRIZIONE A SERBATOIO -Vale per GD-	PIPE FROM CLUTCH PUMP TO TANK -Valid for GD-
29	157934	1	COLLARE A VITE	SCREW COLLAR
30	132411	1	TUBO GOMMA -No per GD-	RUBBER HOSE -Not for GD-
-	143069	1	TUBO GOMMA -Vale per GD-	RUBBER HOSE -Valid for GD-
31	157934	2	COLLARE A VITE	SCREW COLLAR
32	148977	1	POMPA COMANDO FRENI -Non a ricambio- -Con il kit 70000772- -Vedi Tav. 34-	BRAKES CONTROL PUMP -Not as spare part- -With the kit 70000772- -See Table 34-
33	129636	1	VITE	SCREW
34	12574211	1	DADO	NUT
35	130861	1	ROSETTA	WASHER
36	140498	1	STAFFA	BRACKET
37	144824	1	GUARNIZIONE	GASKET
38	16043124	2	VITE	SCREW
39	127496	2	ROSETTA	WASHER
40	103163	2	BOCCOLA -Vale per GD-	BUSHING -Valid for GD-
41	10441490	1	STAFFETTA CON GUAINA -Vale per GD-	BRACKET WITH SHEATH -Valid for GD-



F355

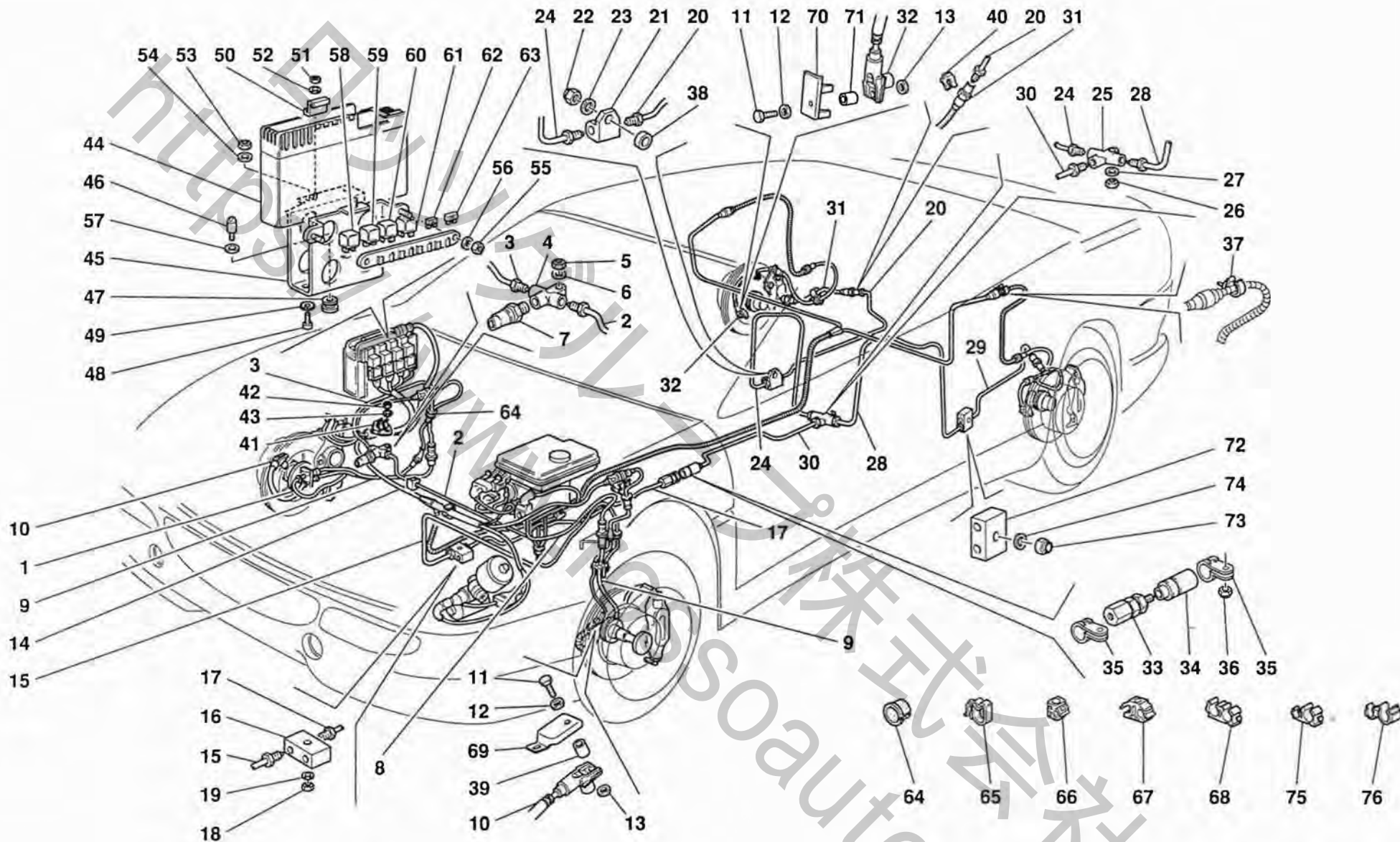
APPARATO IDRAULICO PER IMPIANTO ABS
HYDRAULIC SYSTEM FOR ABS

TAV. 34

DATA: GIUGNO '95

<i>Rif</i>	<i>Dis.N° Part.N°</i>	<i>Q.ty</i>	<i>Denominazione</i>	<i>Description</i>
1	70000768	1	CENTRALINA IDRAULICA	HYDRAULIC CONTROL STATION
2	70000772	1	KIT POMPA COMANDO FRENI	BRAKES CONTROL PUMP KIT
3	136315	1	TUBO FLESSIBILE	HOSE
4	131873	1	BOCCHETTONE	UNION
5	131874	2	GUARNIZIONE	GASKET
6	152238	1	TAPPO PER SERBATOIO	TANK PLUG
7	130861	1	ROSETTA	WASHER
A	70000769	1	KIT AGGREGATO IDRAULICO	HYDRALUIC AGGREGATE KIT
B	70000502	1	KIT SERBATOIO	TANK KIT

<i>Rif</i>	<i>Dis.N° Part.N°</i>	<i>Q.ty</i>	<i>Denominazione</i>	<i>Description</i>
C	70000774	1	KIT MOTORE ELETTRICO CON POMPA	ELECTRIC MOTOR/PUMP KIT
D	70000504	1	KIT ACCUMULATORE	ACCUMULATOR KIT
E	70000533	1	KIT TUBO FLESSIBILE	HOSE KIT
F	70000505	1	KIT PRESSOSTATO	PRESSOSTAT KIT
G	70000506	1	KIT BOCCOLE	BUSHING KIT
H	70000507	1	KIT FISSAGGIO SERBATOIO	INSTALLATION KIT TANK
I	70000509	1	KIT RACCORDO POMPA	PUMP UNION KIT
L	70000510	1	KIT O.R.	O.R. KIT



F355

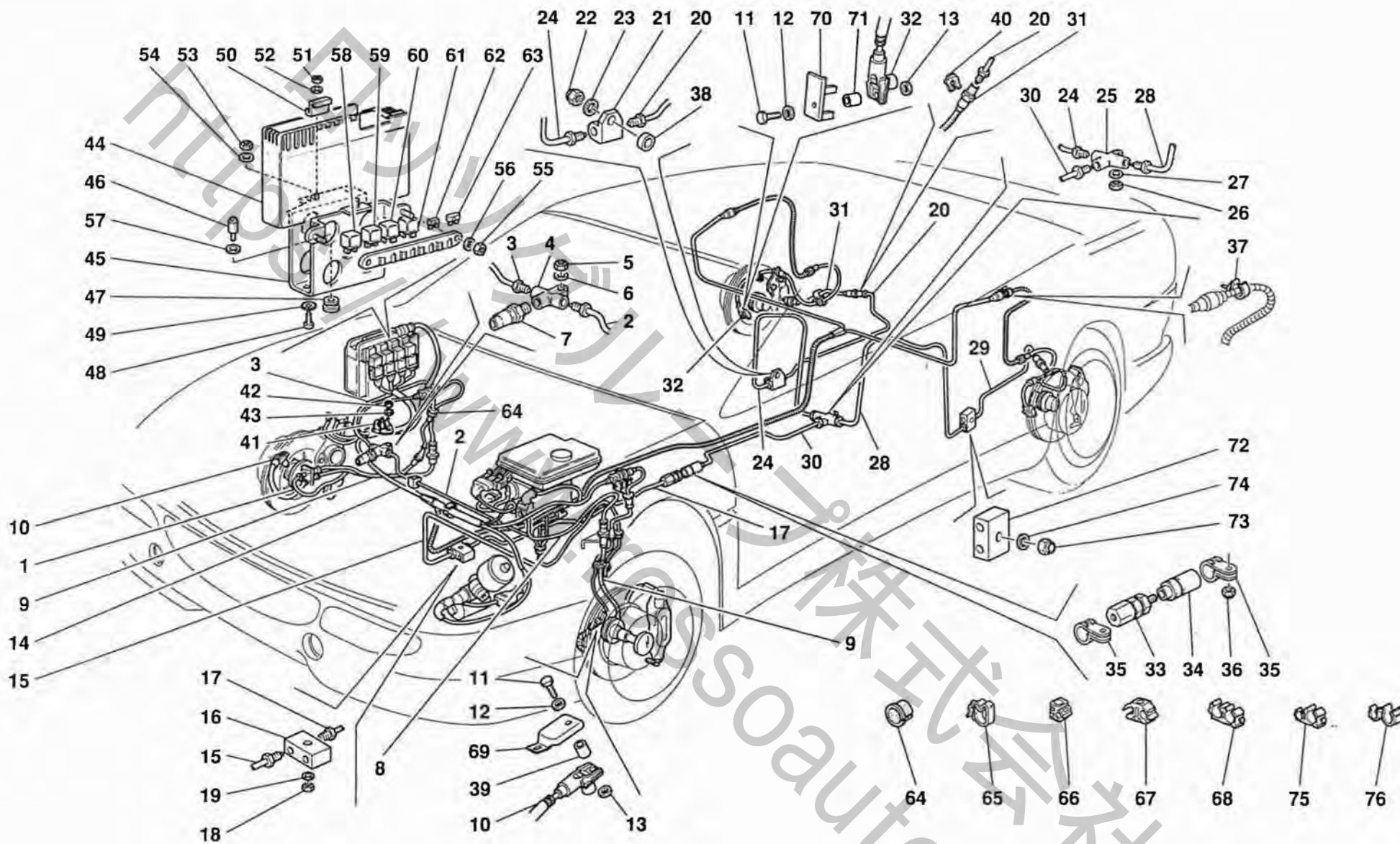
IMPIANTO FRENANTE
BRAKE SYSTEM

TAV. 35

DATA: GIUGNO '95

Rif	Dis.N° Part.N°	Q.ty	Denominazione	Description
1	143641	1	TUBO AL CALIPER ANT. DX.	PIPE TO R.H. FRONT CALIPER
-	143669	1	TUBO AL CALIPER ANT. SX.	PIPE TO L.H. FRONT CALIPER
2	156240	1	TUBO FRENO DA CENTRALINA A RACCORDO ANT. DX.	BRAKE PIPE FROM CENTER UNIT TO R.H. FRONT UNION
-	161367	1	TUBO FRENO DA CENTRALINA A RACCORDO ANT. DX.	BRAKE PIPE FROM CENTER UNIT TO R.H. FRONT UNION
			-No per GD-	-Not for GD-
			-Vale per GD-	-Valid for GD-
3	156241	1	TUBO FRENO DA RACCORDO A TUBO FLESSIBILE ANT. DX.	BRAKE PIPE FROM UNION TO R.H. FRONT FLEXIBLE PIPE
4	101394	1	RACCORDO A TRE VIE	3-WAY UNION
5	12575411	1	DADO	NUT
6	12639724	1	ROSETTA	WASHER
7	154309	1	INTERRUTTORE DI PRESSIONE	PRESSURE SWITCH
8	153472	1	TUBO FRENO DA CENTRALINA A FLESSIBILE ANT. SX.	BRAKE PIPE FROM CENTER UNIT TO L.H. REAR FLEXIBLE PIPE
-	162754	1	TUBO FRENO DA CENTRALINA A FLESSIBILE ANT. SX.	BRAKE PIPE FROM CENTER UNIT TO L.H. REAR FLEXIBLE PIPE
			-No per GD-	-Not for GD-
			-Vale per GD-	-Valid for GD-
9	116373	2	TUBO FLESSIBILE FRENO ANT.	FRONT BRAKE FLEXIBLE PIPE
10	139639	2	SENSORE ANTERIORE	FRONT SENSOR
11	10902724	4	VITE	SCREW
12	12601274	4	ROSETTA	WASHER
13	154747	-	SPESSORE	THICKNESS
			-Di eventuale montaggio-	-Possible fitting-
14	158042	1	CAVI COLLEG. DISPOSITIVI ANTISKID	CABLES FOR ANTISKID DEVICES CONNECTION
-	160892	1	CAVI COLLEG. DISPOSITIVI ANTISKID	CABLES FOR ANTISKID DEVICES CONNECTION
			-No per GD-	-Not for GD-
			-Vale per GD-	-Valid for GD-
15	159756	1	TUBO FRENO DA CENTRALINA A RACCORDO DUE VIE	BRAKE PIPE FROM CENTER UNIT TO 2-WAY UNIT
-	162755	1	TUBO FRENO DA CENTRALINA A RACCORDO DUE VIE	BRAKE PIPE FROM CENTER UNIT TO 2-WAY UNIT
			-No per GD-	-Not for GD-
			-Vale per GD-	-Valid for GD-
16	139375	1	RACCORDO DUE VIE	2-WAY UNION
17	145074	1	TUBO DAL DUE VIE AL CORRETTORE DI FRENATA	PIPE FROM 2-WAY UNION TO BRAKING CORRECTOR

Rif	Dis.N° Part.N°	Q.ty	Denominazione	Description
18	12575411	1	DADO	NUT
19	12639724	1	ROSETTA	WASHER
20	162757	1	TUBO FRENO DAL RACCORDO AL FLESSIBILE POST. DX.	BRAKE PIPE FROM UNION TO REAR R.H. FLEXIBLE
-	165286	1	TUBO FRENO DAL RACCORDO AL FLESSIBILE POST. DX.	BRAKE PIPE FROM UNION TO REAR R.H. FLEXIBLE
			-Vale fino ad esaurimento-	-Valid till stock exhaustion-
			-Vale dopo esaurimento del 162757-	-Valid after stock exhaustion of 162757-
21	155215	1	RACCORDO A DUE VIE DX.	R.H. TWO-WAY UNION
22	12575411	1	DADO	NUT
23	12639724	1	ROSETTA	WASHER
24	145076	1	TUBO FRENO DA RACCORDO TRE VIE A RACCORDO DX.	BRAKE PIPE FROM THREE-WAY UNION TO R.H. UNION
25	101394	1	RACCORDO TRE VIE	3-WAY UNION
26	12575411	1	DADO	NUT
27	12639724	1	ROSETTA	WASHER
28	162756	1	TUBO FRENO DA RACCORDO TRE VIE A RACCORDO SX.	BRAKE PIPE FROM THREE-WAY UNION TO L.H. UNION
29	145079	1	TUBO FRENO DAL RACCORDO AL FLESSIBILE POST. SX.	BRAKE PIPE FROM UNION TO REAR L.H. FLEXIBLE
-	165287	1	TUBO FRENO DAL RACCORDO AL FLESSIBILE POST. SX.	BRAKE PIPE FROM UNION TO REAR L.H. FLEXIBLE
			-Vale fino ad esaurimento-	-Valid till stock exhaustion-
			-Vale dopo esaurimento del 145079-	-Valid after stock exhaustion of 145079-
30	145075	1	TUBO FRENO DA CORRETTORE A RACCORDO TRE VIE	BRAKE PIPE FROM CORRECTOR TO THREE-WAY UNION
31	118100	2	TUBO FLESSIBILE FRENO POST.	REAR BRAKE FLEXIBLE PIPE
32	139479	2	SENSORE POSTERIORE	REAR SENSOR
33	134597	1	VALVOLA RITARDATELICE	DELAY VALVE
34	157908	1	CORRETTORE DI FRENATA	BRAKING REGULATOR
35	10441990	2	STAFFETTA CON GUAINA	BRACKET WITH SHEATH
36	12575411	2	DADO	NUT
37	161639	2	MOLLETTA ELASTICA	FLEXIBLE CLIP
38	104339	1	DISTANZIALE	SPACER
39	159713	2	DISTANZIALE	SPACER
40	116374	4	MOLLETTA	CLIP
41	128292	2	MOLLETTA	CLIP
42	12574011	2	DADO	NUT
43	10519224	2	ROSETTA	WASHER



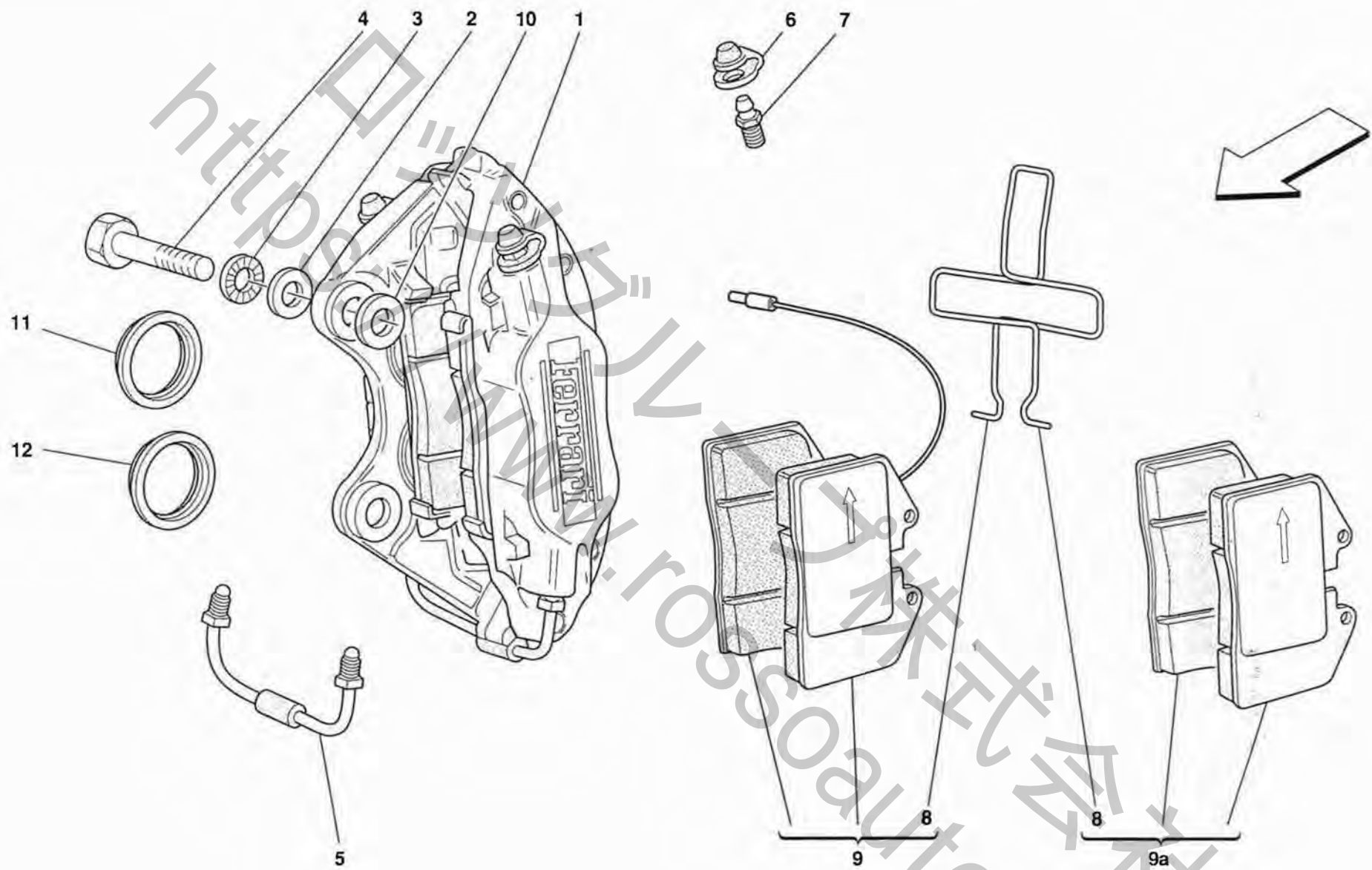
F355

IMPIANTO FRENANTE
BRAKE SYSTEM

TAV. 35

DATA: GIUGNO '95

Rif	Dis.N° Part.N°	Q.ty	Denominazione	Description	Rif	Dis.N° Part.N°	Q.ty	Denominazione	Description
44	148838	1	CENTRALINA ELETTRONICA	ELECTRONIC CONTROL STATION	60	158090	1	RELAY MOTORE POMPA ABS	ABS PUMP MOTOR RELAY
45	158012	1	STAFFA FISS. CENTRALINA	BRACKET FOR CONTROL UNIT FIXING	61	131940	1	RELAY DISINNESTO IMPIANTO	SYSTEM RELEASE RELAY
-	158013	1	STAFFA FISS. CENTRALINA	BRACKET FOR CONTROL UNIT FIXING	62	131942	1	FUSIBILE 3 A.	3 A. FUSE
			-No per GD-	-Not for GD-	63	131941	2	FUSIBILE 30 A.	30 A. FUSE
46	137144	1	PERNO	PIN	64	105369	3	ANELLO PASSAFILO	CABLE GROMMET
47	103549	1	ANELLO PASSAFILO	CABLE GROMMET	65	140798	1	MOLLETTA	CLIP
48	11021111	2	VITE	SCREW	66	141505	17	MOLLETTA	CLIP
49	10615274	2	ROSETTA	WASHER	67	141522	7	MOLLETTA	CLIP
50	138500	2	PIASTRINA	PLATE	68	145544	4	MODULO FISSAGGIO TUBI ANT.	FRONT PIPE FIXING MODULE
			-No per GD-	-Not for GD-	-	140130	8	MODULO FISSAGGIO TUBI ANT. E POST.	FRONT AND REAR PIPE FIXING MODULE
-	142382	2	PIASTRINA	PLATE	69	159663	1	PROTEZIONE SENSORE ANT. SX.	L.H. FRONT SENSOR PROTECTION
			-Vale per GD-	-Valid for GD-	-	159662	1	PROTEZIONE SENSORE ANT. DX.	R.H. FRONT SENSOR PROTECTION
51	12574115	2	DADO	NUT	70	159758	2	PROTEZIONE SENSORE POST.	REAR SENSOR PROTECTION
52	10519377	2	ROSETTA	WASHER	71	159713	2	DISTANZIALE	SPACER
53	12574211	2	DADO	NUT	72	139375	1	RACCORDO	UNION
54	12646601	2	ROSETTA	WASHER	73	12575411	1	DADO	NUT
55	12574115	2	DADO	NUT	74	12639724	1	ROSETTA	WASHER
56	10519377	2	ROSETTA	WASHER	75	140742	4	ASSIEME MOLLETTE ELASTICHE	ELASTIC SPRINGS ASSEMBLY
57	104731	1	ROSETTA	WASHER				-Ø 10 - Ø 18-	-Ø 10 - Ø 18-
58	158092	1	CONTENITORE DIODI	DIODES CONTAINER	76	150695	2	MOLLETTA	CLIP
59	158091	1	RELAY CENTRALINA ELETTRONICA ABS	ABS ELECTRONIC UNIT RELAY				-Ø 9 - Ø 11-	-Ø 9 - Ø 11-

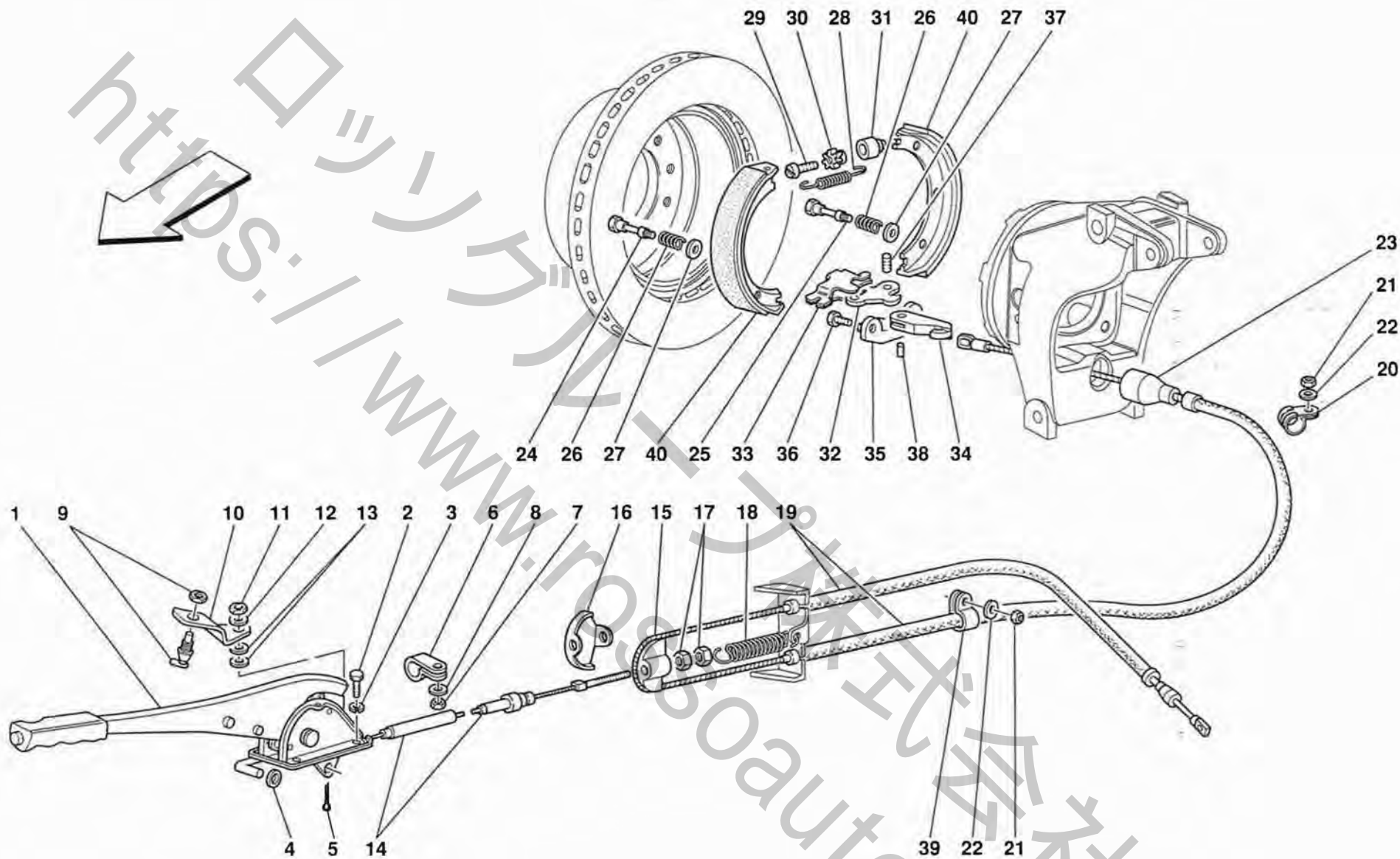


F355

PINZE FRENI ANTERIORI E POSTERIORI
CALIPERS FOR FRONT AND REAR BRAKES

TAV. 36
DATA: GIUGNO '95

Rif	Dis.N° Part.N°	Q.ty	Denominazione	Description	Rif	Dis.N° Part.N°	Q.ty	Denominazione	Description
PINZE FRENI ANTERIORI CALIPERS FOR FRONT BRAKES					PINZE FRENI POSTERIORI CALIPERS FOR REAR BRAKES				
1	157919	1	CALIPER ANTERIORE DX. CON PASTIGLIE (CALIPERS BREMBO) -Vale fino ad esaurimento-	R. H. FRONT CALIPER UNIT WITH PADS (CALIPERS BREMBO) -Valid till stock exhaustion-	1	157921	1	CALIPER POSTERIORE DX. CON PASTIGLIE (CALIPERS BREMBO) -Vale fino ad esaurimento-	R.H. REAR CALIPER UNIT WITH PADS (CALIPERS BREMBO) -Valid till stock exhaustion-
-	164457	1	CALIPER ANTERIORE DX. CON PASTIGLIE (CALIPERS BREMBO) -Vale dopo esaurimento del 157919-	R. H. FRONT CALIPER UNIT WITH PADS (CALIPERS BREMBO) -Valid after stock exhaustion of 157919-	-	164459	1	CALIPER POSTERIORE DX. CON PASTIGLIE (CALIPERS BREMBO) -Vale dopo esaurimento del 157921-	R.H. REAR CALIPER UNIT WITH PADS (CALIPERS BREMBO) -Valid after stock exhaustion of 157921-
-	157920	1	CALIPER ANTERIORE SX. CON PASTIGLIE (CALIPERS BREMBO) -Vale fino ad esaurimento-	L.H. FRONT CALIPER UNIT WITH PADS (CALIPERS BREMBO) -Valid till stock exhaustion-	-	157922	1	CALIPER POSTERIORE SX. CON PASTIGLIE (CALIPERS BREMBO) -Vale fino ad esaurimento-	L.H. REAR CALIPER UNIT WITH PADS (CALIPERS BREMBO) -Valid till stock exhaustion-
-	164458	1	CALIPER ANTERIORE SX. CON PASTIGLIE (CALIPERS BREMBO) -Vale dopo esaurimento del 157920-	L.H. FRONT CALIPER UNIT WITH PADS (CALIPERS BREMBO) -Valid after stock exhaustion of 157920-	-	164460	1	CALIPER POSTERIORE SX. CON PASTIGLIE (CALIPERS BREMBO) -Vale dopo esaurimento del 157922-	L.H. REAR CALIPER UNIT WITH PADS (CALIPERS BREMBO) -Valid after stock exhaustion of 157922-
2	106616	2	ROSETTA	WASHER	2	106616	2	ROSETTA	WASHER
3	10615874	4	ROSETTA	WASHER	3	10615874	4	ROSETTA	WASHER
4	132213	4	VITE	SCREW	4	132213	4	VITE	SCREW
5	152957	2	TUBO COLLEGAMENTO (CALIPERS BREMBO)	CONNECTION PIPE (CALIPERS BREMBO)	5	152958	2	TUBO COLLEGAMENTO (CALIPERS BREMBO)	CONNECTION PIPE (CALIPERS BREMBO)
6	152955	4	CAPPUCCIO (CALIPERS BREMBO)	BOOT (CALIPERS BREMBO)	6	152955	4	CAPPUCCIO (CALIPERS BREMBO)	BOOT (CALIPERS BREMBO)
7	152954	4	RACCORDO CON VALVOLA DI SPURGO (CALIPERS BREMBO)	UNION WITH EXHAUST VALVE (CALIPERS BREMBO)	7	152954	4	RACCORDO CON VALVOLA DI SPURGO (CALIPERS BREMBO)	UNION WITH EXHAUST VALVE (CALIPERS BREMBO)
8	152956	2	MOLLA (CALIPERS BREMBO)	SPRING (CALIPERS BREMBO)	8	152956	2	MOLLA (CALIPERS BREMBO)	SPRING (CALIPERS BREMBO)
9	70000825	1	SERIE PASTIGLIE ANTERIORI (CALIPERS BREMBO) -Vale fino ad esaurimento-	KIT OF FRONT PADS (CALIPERS BREMBO) -Valid till stock exhaustion-	9a	70000826	1	SERIE PASTIGLIE POSTERIORI (CALIPERS BREMBO) -Vale fino ad esaurimento-	KIT OF REAR PADS (CALIPERS BREMBO) -Valid till stock exhaustion-
-	70000850	1	SERIE PASTIGLIE ANTERIORI (CALIPERS BREMBO) -Vale dopo esaurimento del 70000825-	KIT OF FRONT PADS (CALIPERS BREMBO) -Valid after stock exhaustion of 70000825-	-	70000851	1	SERIE PASTIGLIE POSTERIORI (CALIPERS BREMBO) -Vale dopo esaurimento del 70000826-	KIT OF REAR PADS (CALIPERS BREMBO) -Valid after stock exhaustion of 70000826-
10	156260	-	ROSETTA DI RASAMENTO mm. 0,2	SPACER WASHER mm. 0,2	10	156260	-	ROSETTA DI RASAMENTO mm. 0,2	SPACER WASHER mm. 0,2
-	156261	-	ROSETTA DI RASAMENTO mm. 0,3	SPACER WASHER mm. 0,3	-	156261	-	ROSETTA DI RASAMENTO mm. 0,3	SPACER WASHER mm. 0,3
-	156262	-	ROSETTA DI RASAMENTO mm. 0,5	SPACER WASHER mm. 0,5	-	156262	-	ROSETTA DI RASAMENTO mm. 0,5	SPACER WASHER mm. 0,5
-	156263	-	ROSETTA DI RASAMENTO mm. 0,6	SPACER WASHER mm. 0,6	-	156263	-	ROSETTA DI RASAMENTO mm. 0,6	SPACER WASHER mm. 0,6
-	156264	-	ROSETTA DI RASAMENTO mm. 0,7	SPACER WASHER mm. 0,7	-	156264	-	ROSETTA DI RASAMENTO mm. 0,7	SPACER WASHER mm. 0,7
-	156265	-	ROSETTA DI RASAMENTO mm. 0,8	SPACER WASHER mm. 0,8	-	156265	-	ROSETTA DI RASAMENTO mm. 0,8	SPACER WASHER mm. 0,8
-	156266	-	ROSETTA DI RASAMENTO mm. 1,0	SPACER WASHER mm. 1,0	-	156266	-	ROSETTA DI RASAMENTO mm. 1,0	SPACER WASHER mm. 1,0
11	152952	2	CUFFIA PER CILINDRETTO Ø 40	CAP FOR CYLINDER Ø 40	11	152952	2	CUFFIA PER CILINDRETTO Ø 40	CAP FOR CYLINDER Ø 40
12	152953	2	CUFFIA PER CILINDRETTO Ø 36	CAP FOR CYLINDER Ø 36	12	152953	2	CUFFIA PER CILINDRETTO Ø 36	CAP FOR CYLINDER Ø 36



F355

COMANDO FRENO A MANO
HAND-BRAKE CONTROL

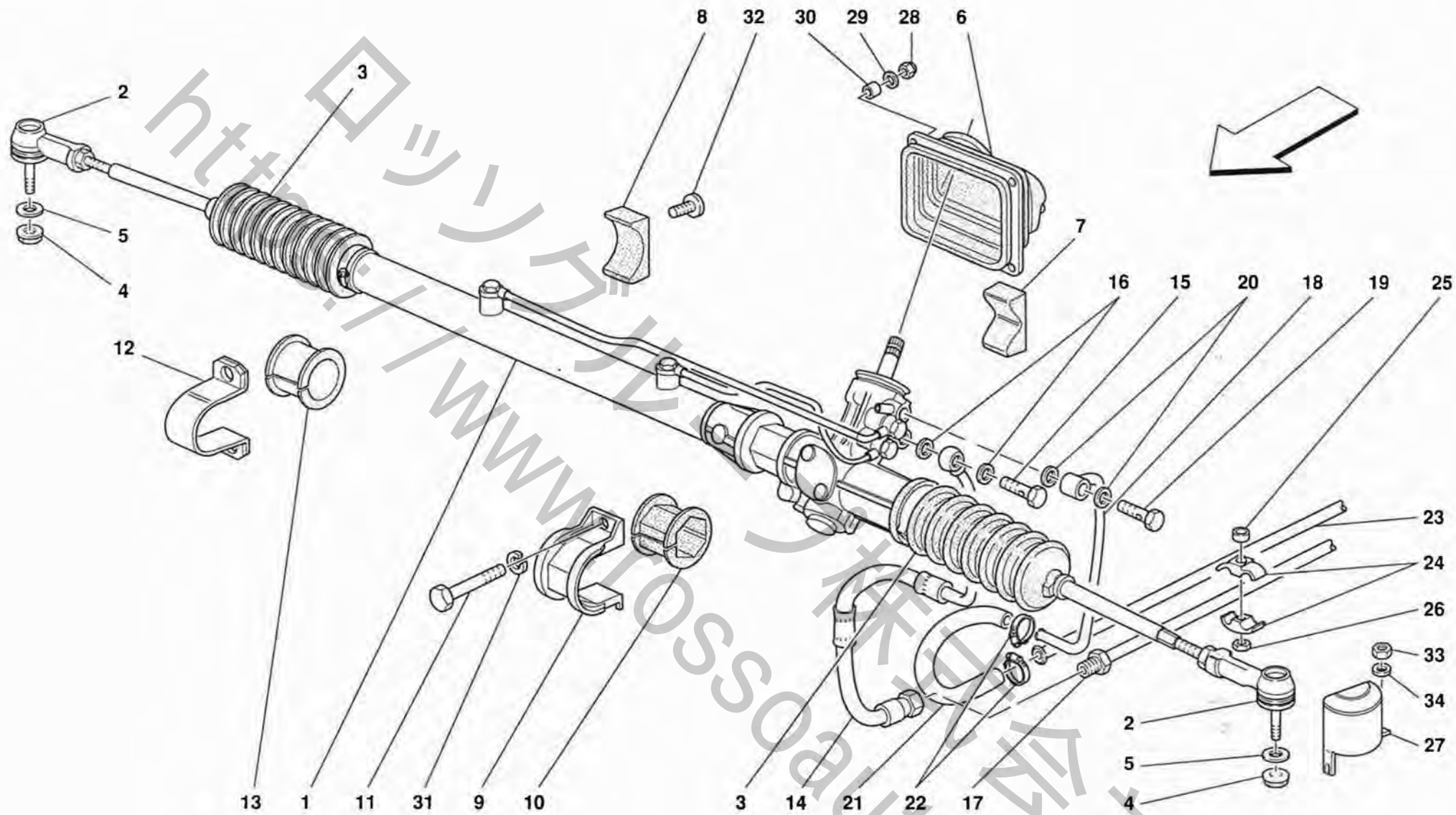
TAV. 37

DATA: GIUGNO '95

Rif	Dis. n° Part. N°	Q.ty	Denominazione	Description
1	154095	1	LEVA COMANDO FRENO A MANO	HAND BRAKE LEVER
			-Senza rivestimento-	-Without lining-
-	629965..	1	RIVESTIMENTO	UPHOLSTERY
			-Per i colori pelle vedi tabella-	-For leather colours see table-
			-Vale fino ad esaurimento-	-Valid till stock exhaustion-
-	626854..	1	RIVESTIMENTO	UPHOLSTERY
			-Per i colori pelle vedi tabella-	-For leather colours see table-
			-Vale dopo esaurimento del 629965..-	-Valid after stock exhaustion of 629965..-
2	10902124	4	VITE	SCREW
3	127494	4	ROSETTA	WASHER
4	10519624	1	ROSETTA	WASHER
5	10796440	1	COPIGLIA	SPLIT PIN
6	10418501	1	STAFFETTA	BRACKET
7	12575411	1	DADO	NUT
8	10519424	1	ROSETTA	WASHER
9	114318	1	INTERRUTTORE	SWITCH
10	114320	1	STAFFETTA	BRACKET
11	15896470	1	DADO	NUT
12	12605274	1	ROSETTA	WASHER
13	10519377	2	ROSETTA	WASHER
14	141219	1	CAVO ANT. COMANDO FRENO	BRAKE CONTROL FRONT CABLE
15	118552	1	ANCORAGGIO PER CAVO POST.	ANCHORAGE FOR REAR CABLE
16	118553	1	PIASTRINA RITEGNO CAVO FRENO A MANO	HAND BRAKE CABLE RETAINING PLATE
17	16102324	2	DADO	NUT
18	104895	1	MOLLA	SPRING
19	141220	1	CAVO POST. COMANDO FRENO	BRAKE CONTROL REAR CABLE
20	10441490	1	STAFFETTA CON GUAINA	BRACKET WITH SHEATH
21	12575411	7	DADO	NUT
22	10519424	7	ROSETTA	WASHER
23	143938	2	ARRESTO GUAINA FRENO STAZIONAMENTO	STOP LIMIT FOR HAND BRAKE SHEATH
24	156916	2	VITE FISS. CEPPI FRENO -L. mm. 29-	BRAKE SHOES FIXING SCREW -L. mm. 29-

Rif	Dis. N° Part. N°	Q.ty	Denominazione	Description
25	156915	2	VITE FISS. CEPPI FRENO -L. mm. 36-	BRAKE SHOES FIXING SCREW -L. mm. 36-
26	101277	4	MOLLA	SPRING
27	12625224	4	ROSETTA	WASHER
28	101276	4	MOLLA RICHIAMO CEPPI	RETURN SPRING FOR BRAKE SHOES
29	101285	2	VITE	SCREW
30	101286	2	DADO PER VITE DI REGOLAZIONE	ADJUSTMENT SCREW NUT
31	101279	2	SEDE PER VITE	SCREW SEAT
32	101280	2	LEVA DI COMANDO INTERNA	INNER CONTROL LEVER
33	101281	2	LEVA DI COMANDO ESTERNA	OUTER CONTROL LEVER
34	105270	2	FORCELLINO	FORK
35	142861	2	TASSELLO SU PORTAMOZZO	HUB HOLDER SMALL BLOCK
36	142856	4	VITE	SCREW
37	101283	2	PERNO PER SNODO	JOINT PIN
38	101282	2	PERNO FISS. FORCELLINO ALLA LEVA INTERNA	FIXING FORK TO INNER LEVER PIN
39	10418501	6	STAFFETTA	BRACKET
40	159894	4	CEPPO FRENO COMPLETO	COMPLETE BRAKE SHOE
-	159908	4	CEPPO FRENO COMPLETO -In alternativa-	COMPLETE BRAKE SHOE -As an alternative-
-	162820	4	CEPPO FRENO COMPLETO -In alternativa-	COMPLETE BRAKE SHOE -As an alternative-

CODICI COLORI PELLE / LEATHER COLOUR CODES	
...00	NERO / BLACK
...01	ROSSO / RED
...02	BLU SCURO / DARK BLUE
...04	CREMA / CREAM
...05	BEIGE / BEIGE
...16	GRIGIO CHIARO / LIGHT GREY
...17	GRIGIO SCURO / DARK GREY
...19	"CHARCOAL"
...21	VERDE / GREEN
...22	CUOIO MARRONE / BROWN HIDE
...23	BLU / BLUE
...24	CUOIO "GINEVRA" / "GINEVRA" HIDE



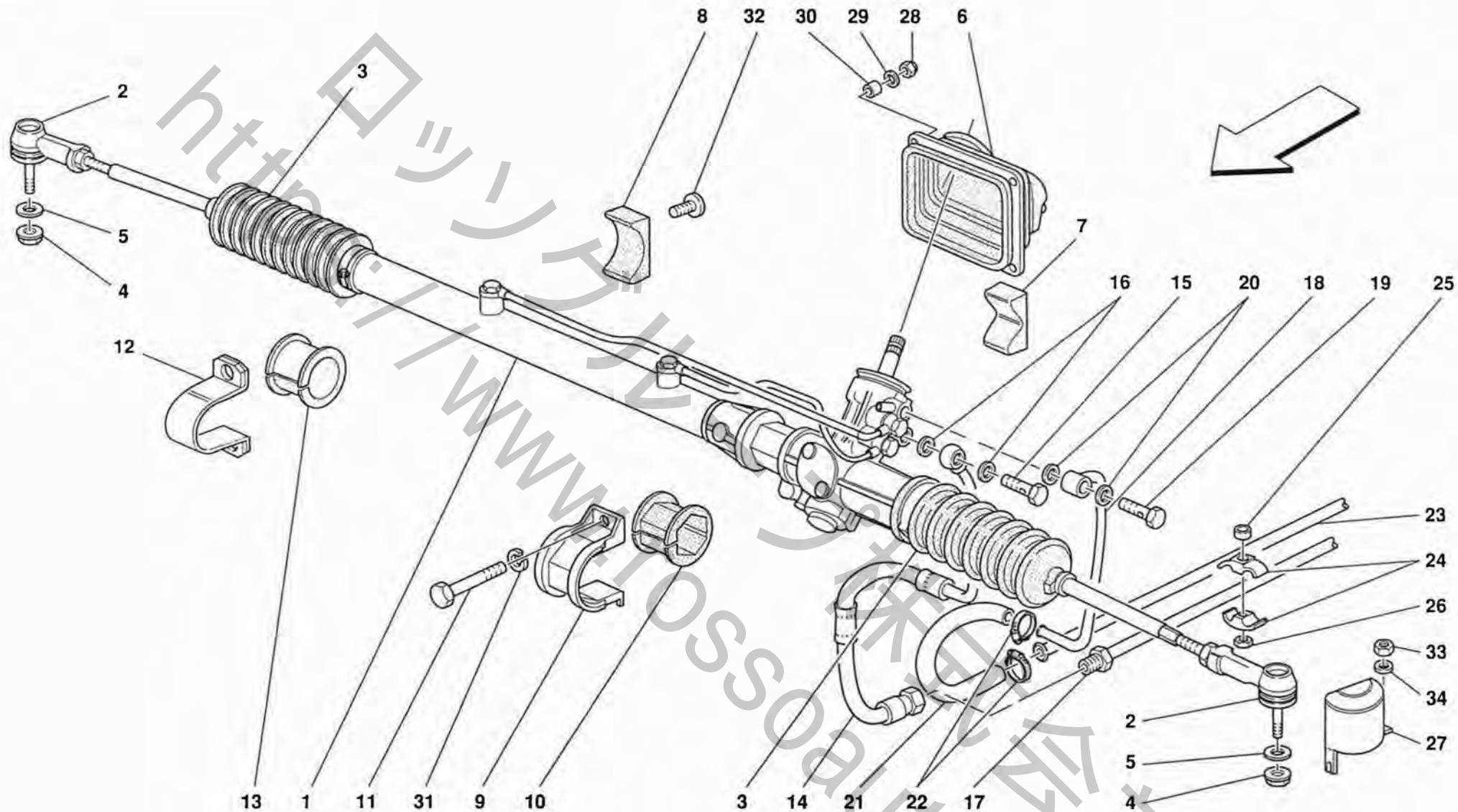
F355

SCATOLA GUIDA IDRAULICA ED ORGANI DI STERZO - Vale per vett. con scatola guida servoassistita-
 HYDRAULIC STEERING BOX AND LINKAGE - Valid for steering box with power steering cars-

TAV. 38

DATA: GIUGNO '95

Rif	Dis.N° Part.N°	Q.ty	Denominazione	Description	Rif	Dis.N° Part.N°	Q.ty	Denominazione	Description
1	157546	1	SCATOLA GUIDA SERVOASSISTITA	STEERING BOX WITH POWER STEERING	-	161801	1	TUBO MANDATA	DELIVERY TUBE
-	158735	1	SCATOLA GUIDA SERVOASSISTITA	STEERING BOX WITH POWER STEERING	-	165201	1	TUBO MANDATA	DELIVERY TUBE
2	154300	2	GIUNTO SFERICO	BALL JOINT	15	10185111	1	BOCCHETTONE	UNION
3	160674	2	SOFFIETTO	RUBBER BOOT	16	10282460	2	GUARNIZIONE	GASKET
4	149807	2	DADO	NUT	17	158256	1	TUBO SOTTOPIANALE SCATOLA GUIDA-SERBATOIO	TANK-STEERING BOX UNDERFLOOR TUBE
5	155002	2	ROSETTA	WASHER	18	158253	1	TUBO COMPL. DI RACCORDO	TUBE WITH UNION
6	162905	1	SOFFIETTO COMPL. DI PIASTRA	RUBBER BOOT COMPLETED WITH PLATE	-	167458	1	TUBO COMPL. DI RACCORDO	TUBE WITH UNION
-	162906	1	SOFFIETTO COMPL. DI PIASTRA	RUBBER BOOT COMPLETED WITH PLATE	-	161803	1	TUBO COMPL. DI RACCORDO	TUBE WITH UNION
7	163878	1	TASSELLO LATO PILOTA	DRIVER SIDE PAD	-	167468	1	TUBO COMPL. DI RACCORDO	TUBE WITH UNION
-	163947	1	TASSELLO LATO PILOTA	DRIVER SIDE PAD	-	158329	1	BOCCHETTONE	UNION
8	137532	1	TASSELLO LATO PASSEGGERO	PASSENGER SIDE PAD	-	167164	1	BOCCHETTONE	UNION
9	163879	1	STAFFA LATO PILOTA	DRIVER SIDE BRACKET	20	10298460	2	GUARNIZIONE	GASKET
-	163984	1	STAFFA LATO PILOTA	DRIVER SIDE BRACKET	21	158254	1	TUBO GOMMA	RUBBER HOSE
-	164093	1	STAFFA LATO PILOTA	DRIVER SIDE BRACKET	22	161490	2	COLLARE A VITE	SCREW COLLAR
10	137528	1	TAMPONE LATO PILOTA	DRIVER SIDE PAD	23	158251	1	TUBO MANDATA SOTTOPIANALE POMPA-SCATOLA GUIDA	PUMP-STEERING BOX UNDERFLOOR DELIVERY TUBE
11	16043824	4	VITE	SCREW	24	63989800	10	MOLLETTA	CLIP
12	157548	1	STAFFA LATO PASSEGGERO	PASSENGER SIDE BRACKET	25	140085	4	DISTANZIALE	SPACER
13	137527	1	TAMPONE LATO PASSEGGERO	PASSENGER SIDE PAD	26	12574211	5	DADO	NUT
14	158252	1	TUBO MANDATA	DELIVERY TUBE	27	150879	1	PROTEZIONE GIUNTO SFERICO SX.	L.H. BALL JOINT PROTECTION
-	165199	1	TUBO MANDATA	DELIVERY TUBE	-	150878	1	PROTEZIONE GIUNTO SFERICO DX.	R.H. BALL JOINT PROTECTION
					28	12574111	4	DADO	NUT
					29	63622400	4	ROSETTA	WASHER



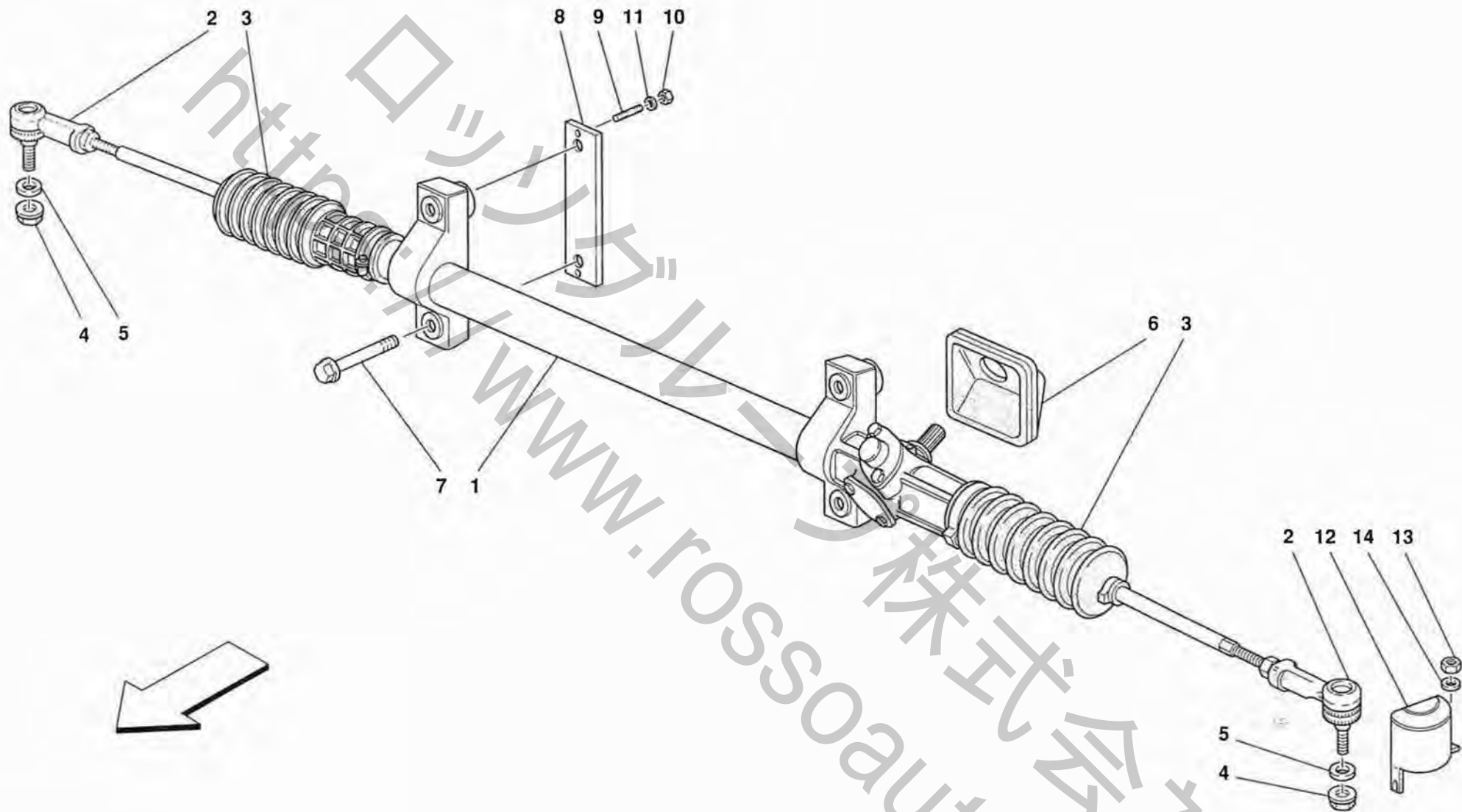
F355

SCATOLA GUIDA IDRAULICA ED ORGANI DI STERZO - Vale per vett. con scatola guida servoassistita-
 HYDRAULIC STEERING BOX AND LINKAGE - Valid for steering box with power steering cars-

TAV. 38

DATA: GIUGNO '95

<i>Rif</i>	<i>Dis.N° Part.N°</i>	<i>Q.ty</i>	<i>Denominazione</i>	<i>Description</i>	<i>Rif</i>	<i>Dis.N° Part.N°</i>	<i>Q.ty</i>	<i>Denominazione</i>	<i>Description</i>
30	162658	4	DISTANZIALE	SPACER	34	139721	4	ROSETTA	WASHER
31	127496	4	ROSETTA	WASHER				-Vale fino ad esaurimento-	-Valid till stock exhaustion-
32	14591687	4	BOTTONE DI FISSAGGIO	FIXING BUTTON	-	10730014	4	ROSETTA	WASHER
33	139951	4	DADO	NUT				-Vale dopo esaurimento del 139721-	-Valid after stock exhaustion of 139721-



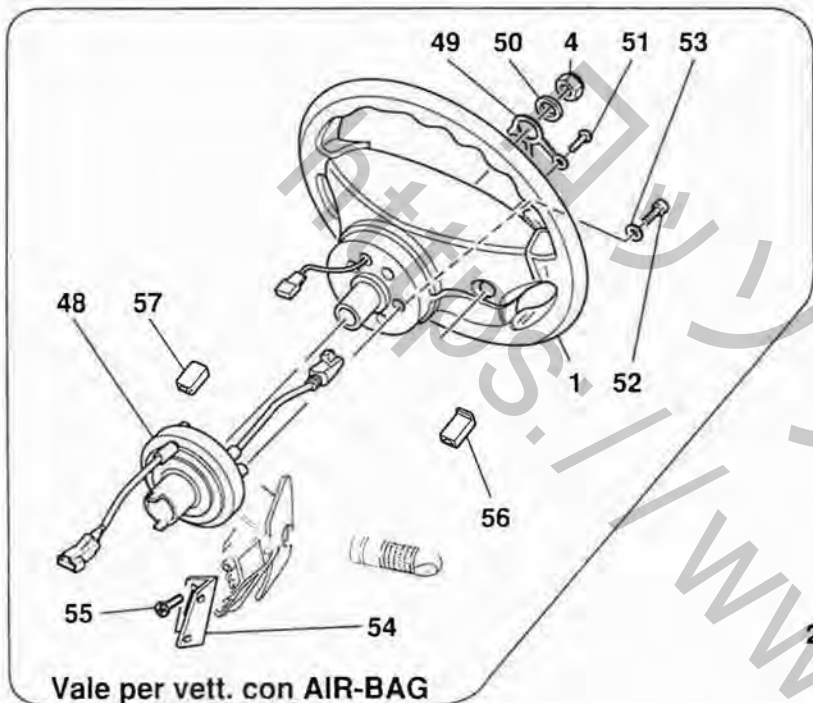
F355

SCATOLA GUIDA MECCANICA ED ORGANI DI STERZO - Vale per vett. con scatola guida meccanica-
 MECHANICAL STEERING BOX AND LINKAGE - Valid for mechanical steering box cars-

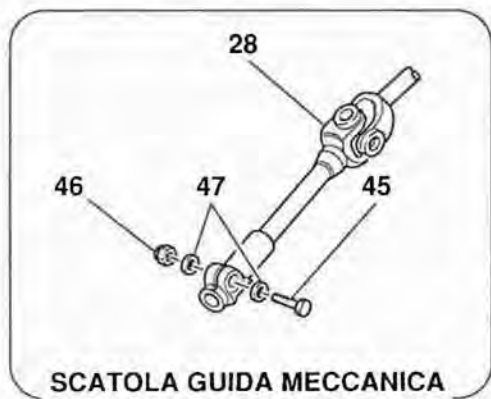
TAV. 39

DATA: GIUGNO '95

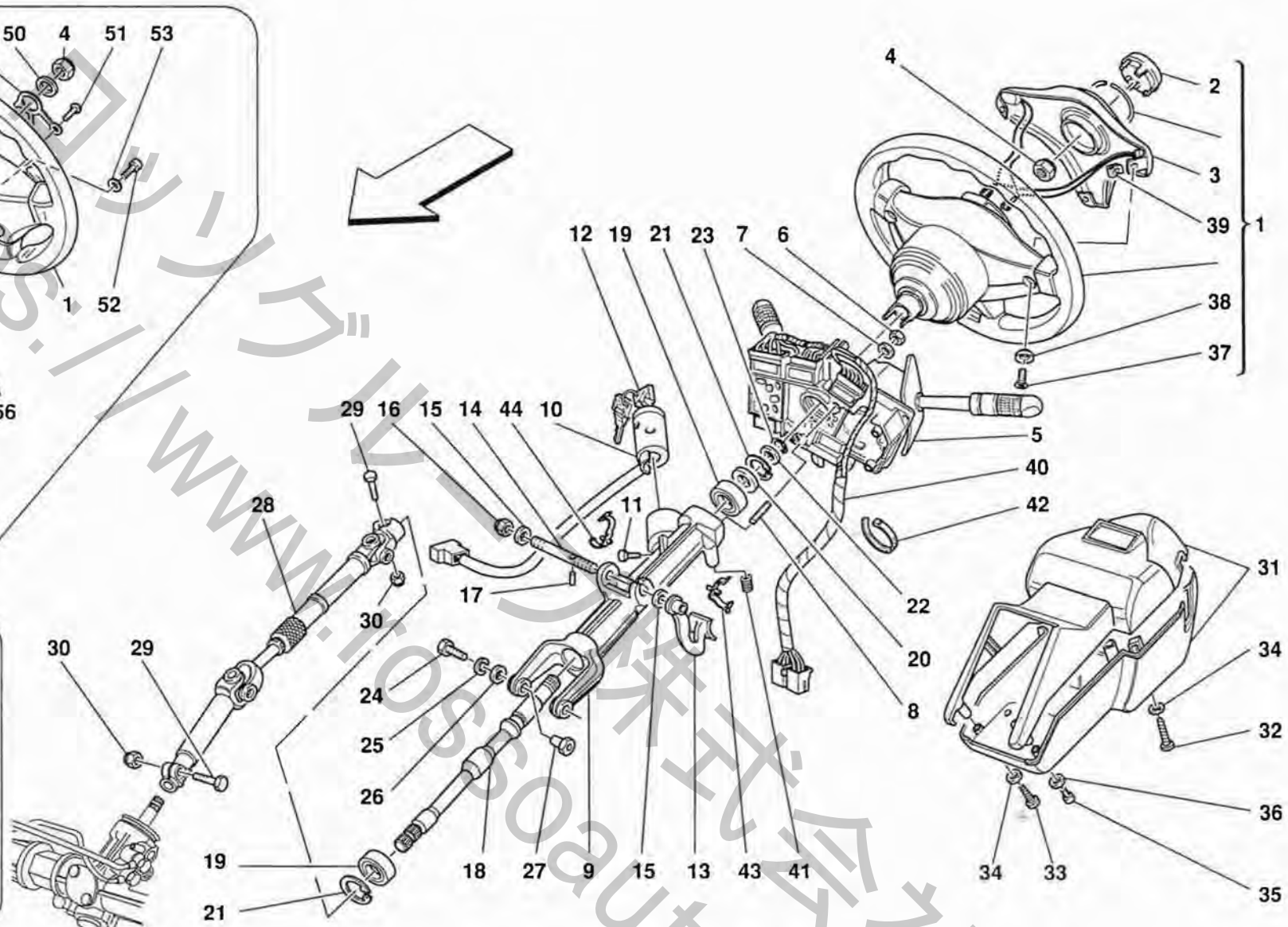
<i>Rif</i>	<i>Dis.N° Part.N°</i>	<i>Q.ty</i>	<i>Denominazione</i>	<i>Description</i>	<i>Rif</i>	<i>Dis.N° Part.N°</i>	<i>Q.ty</i>	<i>Denominazione</i>	<i>Description</i>
1	157544	1	SCATOLA GUIDA MECCANICA	MECHANICAL STEERING BOX	7	10714524	4	VITE	SCREW
-	158733	1	SCATOLA GUIDA MECCANICA	MECHANICAL STEERING BOX	8	157549	2	DISTANZIALE	SPACER
			-No per GD-	-Not for GD-	9	11001724	4	PRIGIONIERO	STUD
			-Vale per GD-	-Valid for GD-	10	12574121	4	DADO	NUT
2	154300	2	GIUNTO SFERICO	BALL JOINT	11	10730014	4	ROSETTA	WASHER
3	160602	1	SOFFIETTO LATO PILOTA	DRIVER SIDE RUBBER BOOT	12	150879	1	PROTEZIONE GIUNTO SFERICO SX.	L.H. BALL JOINT PROTECTION
-	160601	1	SOFFIETTO LATO PASSEGGERO	PASSENGER SIDE RUBBER BOOT	-	150878	1	PROTEZIONE GIUNTO SFERICO DX.	R.H. BALL JOINT PROTECTION
4	149807	2	DADO	NUT	13	139951	4	DADO	NUT
5	155002	2	ROSETTA	WASHER	14	139721	4	ROSETTA	WASHER
6	157545	1	SOFFIETTO	RUBBER BOOT	-	10730014	4	ROSETTA	WASHER
-	158734	1	SOFFIETTO	RUBBER BOOT				-Vale fino ad esaurimento-	-Valid till stock exhaustion-
			-No per GD-	-Not for GD-				-Vale dopo esaurimento del	-Valid after stock exhaustion of
			-Vale per GD-	-Valid for GD-				139721-	139721-



Vale per vett. con AIR-BAG
Valid for AIR-BAG cars



SCATOLA GUIDA MECCANICA
MECHANICAL STEERING BOX



F355

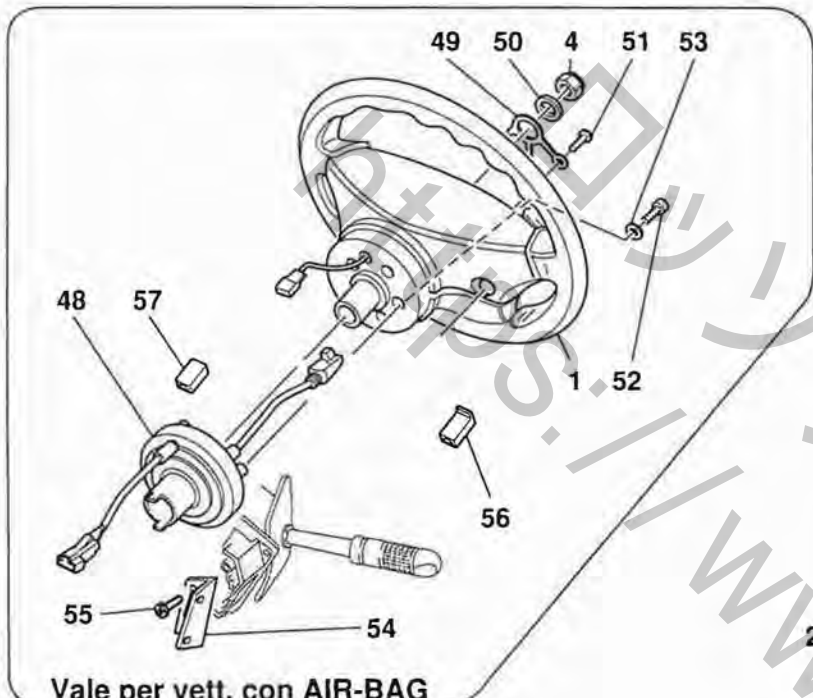
COMANDO STERZO
STEERING COLUMN

TAV. 40
DATA: GIUGNO '95

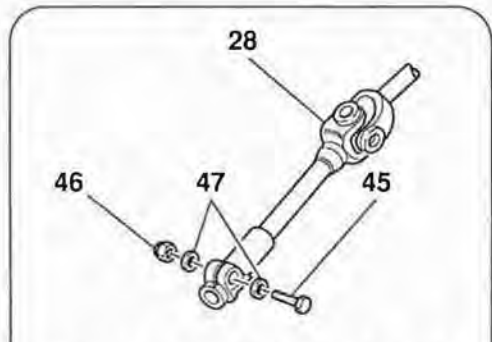
Rif	Dis.iv Part.N°	Q.ty	Denominazione	Description
1	154062	1	VOLANTE GUIDA COMPL. -No per vett. con Air-Bag-	COMPLETE STEERING WHEEL -Not for Air-Bag cars-
-	164249	1	VOLANTE GUIDA AIR-BAG COMPL. -Vale per vett. con Air-Bag-	COMPLETE AIRBAG STEERING WHEEL -Valid for Air-Bag cars-
2	157588	1	PULSANTE AVVISATORE ACUSTICO -No per vett. con Air-Bag-	ELECTRIC HORN PUSH BUTTON -Not for Air-Bag cars-
3	157587	1	RICOPRIMENTO VOLANTE COMPLETO -No per vett. con Air-Bag-	COMPLETE STEERING WHEEL COVER -Not for Air-Bag cars-
4	101648	1	DADO	NUT
5	164446	1	COMPLESSIVO DEVIOGANCIO -No per vett. con Air-Bag- -Non piu' a ricambio-	UNHOOK DEVIATION ASSEMBLY -Not for Air-Bag cars- -Not as spare part now-
-	164447	1	COMPLESSIVO DEVIOGANCIO -Vale per vett. con Air-Bag- -Non piu' a ricambio-	UNHOOK DEVIATION ASSEMBLY -Valid for Air-Bag cars- -Not as spare part now-
-	159411	1	DEVIOGANCIO	UNHOOK DEVIATION
6	15896470	2	DADO	NUT
7	12601174	2	ROSETTA	WASHER
8	11001224	2	PRIGIONIERO	STUD
9	162507	1	SUPPORTO PIANTONE	COLUMN SUPPORT
10	162548	1	ANTIFURTO (COMPLETO DI BLOCCHETTI SERRATURA PORTE) - No per USA e CDN-	ANTI-THEFT DEVICE (COMPLETE OF DOORS LOCKS SET) - Not for USA and CDN-
-	162549	1	ANTIFURTO (COMPLETO DI BLOCCHETTI SERRATURA PORTE) - Vale per USA e CDN-	ANTI-THEFT DEVICE (COMPLETE OF DOORS LOCKS SET) - Valid for USA and CDN-
11	106615	1	VITE	SCREW
12	164089	-	CHIAVE GREZZA	BLANK KEY
13	150839	1	LEVA BLOCCAGGIO PIANTONE GUIDA	LOCK LEVER FOR STEERING COLUMN
14	133870	1	ALBERINO PER LEVA	SHAFT FOR LEVER
15	114865	2	ROSETTA	WASHER
16	102825	1	DADO	NUT
17	14163870	1	SPINA ELASTICA	FLEXIBLE PIN
18	157969	1	ALBERO SUPERIORE COMANDO STERZO	UPPER SHAFT FOR STEERING CONTROL
19	134061	2	CUSCINETTO	BEARING
20	134065	1	ROSETTA DI RASAMENTO mm. 1,0	SPACER WASHER mm. 1,0
-	134066	1	ROSETTA DI RASAMENTO mm. 1,1	SPACER WASHER mm. 1,1
-	134067	1	ROSETTA DI RASAMENTO mm. 1,2	SPACER WASHER mm. 1,2

Tavola 40 - COMANDO STERZO STEERING COLUMN

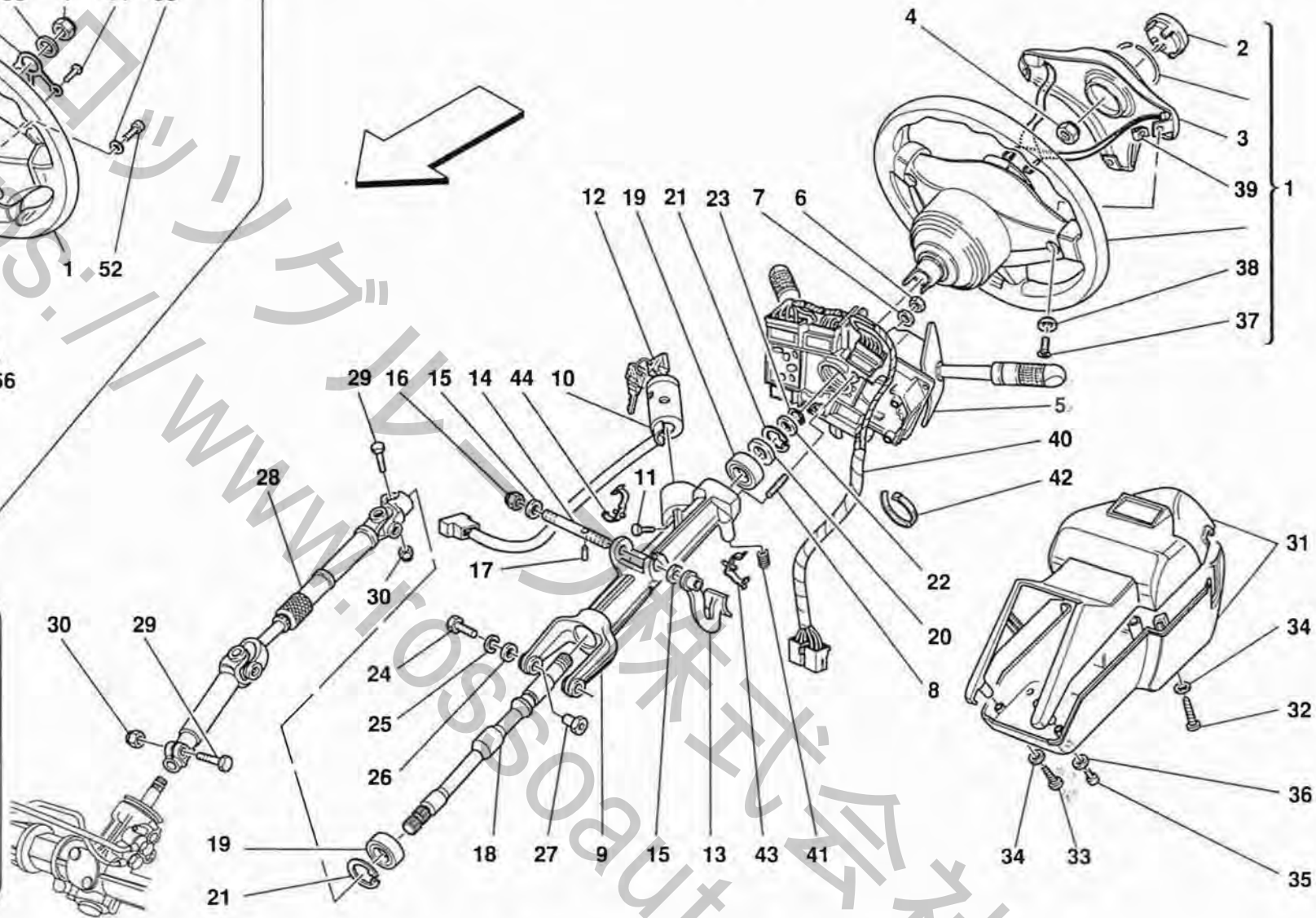
Rif	Dis.N° Part.N°	Q.ty	Denominazione	Description
-	134068	1	ROSETTA DI RASAMENTO mm. 1,3	SPACER WASHER mm. 1,3
-	134069	1	ROSETTA DI RASAMENTO mm. 1,4	SPACER WASHER mm. 1,4
21	11060076	2	ANELLO SEEGER	SEEGER RING
22	134070	1	ROSETTA DI RASAMENTO mm. 1,0	SPACER WASHER mm. 1,0
-	134071	1	ROSETTA DI RASAMENTO mm. 1,1	SPACER WASHER mm. 1,1
-	134072	1	ROSETTA DI RASAMENTO mm. 1,2	SPACER WASHER mm. 1,2
-	134073	1	ROSETTA DI RASAMENTO mm. 1,3	SPACER WASHER mm. 1,3
-	134074	1	ROSETTA DI RASAMENTO mm. 1,4	SPACER WASHER mm. 1,4
23	11066876	1	ANELLO SEEGER	SEEGER RING
24	16043324	2	VITE	SCREW
25	127496	2	ROSETTA	WASHER
26	12638524	4	ROSETTA	WASHER
27	134504	2	BOCCOLA FILETTATA	THREADED BUSHING
28	157543	1	TRASMISSIONE CARDANICA STERZO -No per GD- -Vale per vett. con scatola guida servoassistita-	STEERING CARDANIC TRANSMISSION -Not for GD- -Valid for steering box with power steering cars-
-	157542	1	TRASMISSIONE CARDANICA STERZO -No per GD- -Vale per vett. con scatola guida meccanica-	STEERING CARDANIC TRANSMISSION -Not for GD- -Valid for mechanical steering box cars-
-	159065	1	TRASMISSIONE CARDANICA STERZO -Vale per GD- -Vale per vett. con scatola guida servoassistita-	STEERING CARDANIC TRANSMISSION -Valid for GD- -Valid for steering box with power steering cars-
-	159064	1	TRASMISSIONE CARDANICA STERZO -Vale per GD- -Vale per vett. con scatola guida meccanica-	STEERING CARDANIC TRANSMISSION -Valid for GD- -Valid for mechanical steering box cars-
29	150427	2	VITE -Per vett. con scatola guida meccanica q.ta' 1-	SCREW -For mechanical steering box cars q.ty 1-
30	150428	2	DADO -Per vett. con scatola guida meccanica q.ta' 1-	NUT -For mechanical steering box cars q.ty 1-
31	64042700	1	RICOPRIMENTO PIANTONE GUIDA	COVER FOR STEERING ROD
32	15961107	2	VITE	SCREW



Vale per vett. con AIR-BAG
Valid for AIR-BAG cars



SCATOLA GUIDA MECCANICA
MECHANICAL STEERING BOX



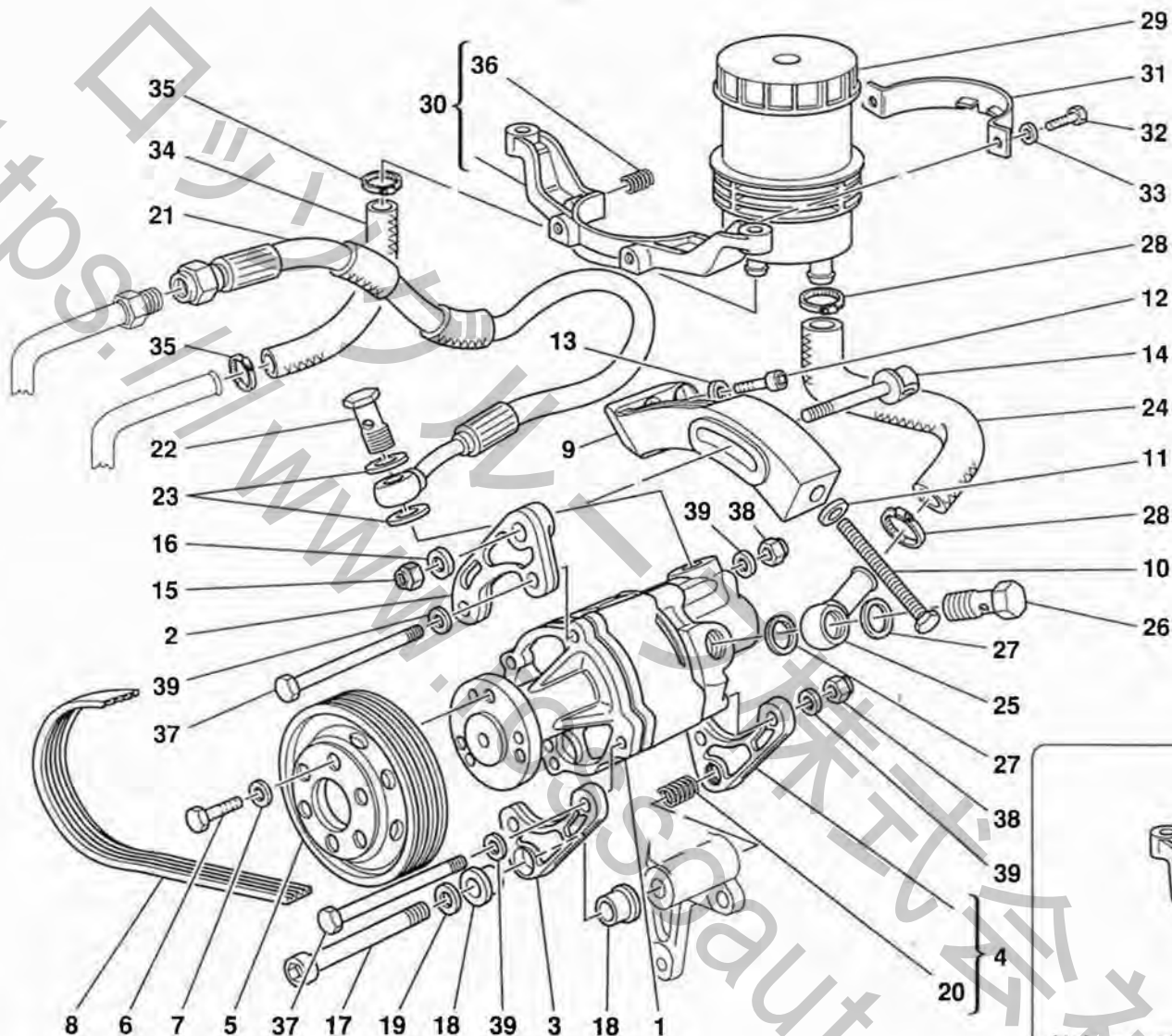
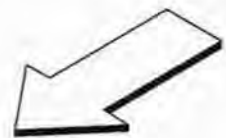
F355

COMANDO STERZO
STEERING COLUMN

TAV. 40
DATA: GIUGNO '95

Rif	Dis.N° Part.N°	Q.ty	Denominazione	Description
33	15960507	2	VITE	SCREW
34	12648201	4	ROSETTA	WASHER
35	13273911	3	VITE	SCREW
36	12601174	2	ROSETTA	WASHER
37	163565	3	VITE	SCREW
			-No per vett. con Air-Bag-	-Not for Air-Bag cars-
38	163555	3	PORTAVITE	SCREW HOLDER
			-No per vett. con Air-Bag-	-Not for Air-Bag cars-
39	14370571	3	MOLLETTA	CLIP
			-No per vett. con Air-Bag-	-Not for Air-Bag cars-
40	157421	1	CAVI COLLEGAMENTO DEVIOSGANCIO-IMPIANTO PLANCIA	UNHOOK DEVIATION-DASHBOARD SYSTEM CONNECTING CABLES
41	13525170	3	INSERTO FILETTATO	THREADED INSERT
42	110381	5	FASCETTA	CLAMP
43	157385	1	MOLLETTA	CLIP
44	157386	1	MOLLETTA	CLIP
45	125518	1	VITE	SCREW
			-Vale per vett. con scatola guida meccanica-	-Valid for mechanical steering box cars-
46	12574221	1	DADO	NUT
			-Vale per vett. con scatola guida meccanica-	-Valid for mechanical steering box cars-
47	12601274	2	ROSETTA	WASHER
			-Vale per vett. con scatola guida meccanica-	-Valid for mechanical steering box cars-

Rif	Dis.N° Part.N°	Q.ty	Denominazione	Description
48	155394	1	CONTATTO A SPIRALE	SPIRAL CONTACT
			-Vale per vett. con Air-Bag-	-Valid for Air-Bag cars-
49	157639	1	MOLLA	SPRING
			-Vale per vett. con Air-Bag-	-Valid for Air-Bag cars-
50	10730921	1	ROSETTA	WASHER
			-Vale per vett. con Air-Bag-	-Valid for Air-Bag cars-
51	11021111	2	VITE	SCREW
			-Vale per vett. con Air-Bag-	-Valid for Air-Bag cars-
52	13272011	3	VITE	SCREW
			-Vale per vett. con Air-Bag-	-Valid for Air-Bag cars-
53	10615274	3	ROSETTA	WASHER
			-Vale per vett. con Air-Bag-	-Valid for Air-Bag cars-
54	164258	1	PIASTRINA	PLATE
			-Vale per vett. con Air-Bag-	-Valid for Air-Bag cars-
55	15642401	2	VITE	SCREW
			-Vale per vett. con Air-Bag-	-Valid for Air-Bag cars-
56	135355	1	CONNETTORE	CONNECTOR
			-Vale per vett. con Air-Bag-	-Valid for Air-Bag cars-
57	163816	1	RESISTORE PER CONTATTO A SPIRALE	RESISTOR FOR SPIRAL CONTACT
			-Vale per vett. con Air-Bag-	-Valid for Air-Bag cars-



Vale per vett. con doppia pompa benzina
Valid for cars with double fuel pump

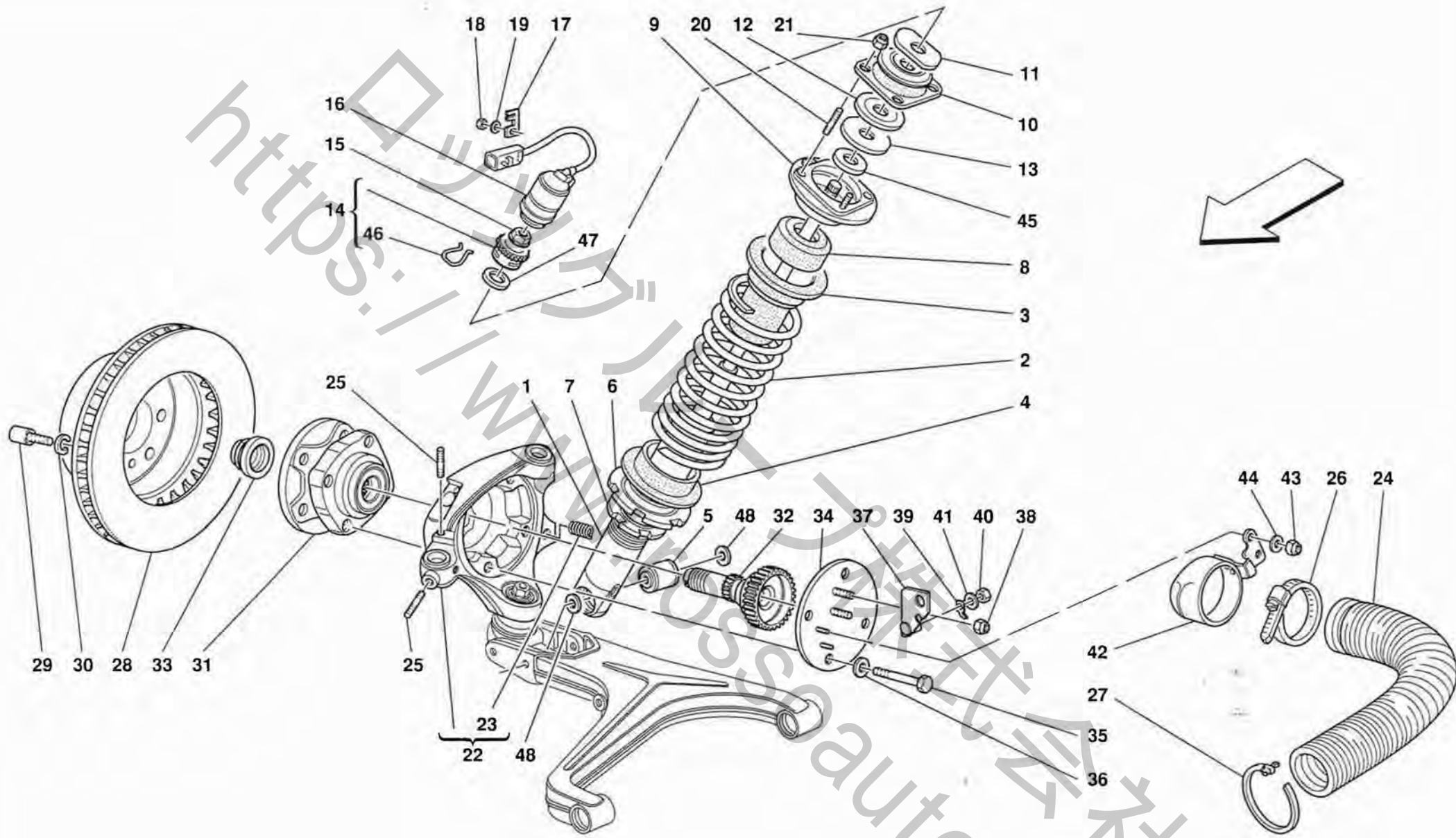
F355

POMPA E SERBATOIO IDROGUIDA - Vale per vett. con scatola guida servoassistita-
HYDRAULIC STEERING PUMP AND TANK - Valid for steering box with power steering cars-

TAV. 41

DATA: GIUGNO '95

Rif	Dis.N° Part.N°	Q.ty	Denominazione	Description	Rif	Dis.N° Part.N°	Q.ty	Denominazione	Description
1	158114	1	POMPA IDROGUIDA COMPL.	COMPLETE HYDRAULIC SERVO-CONTROL PUMP	-	167568	1	TUBO DI MANDATA DA POMPA A TUBO SOTTOPIANALE	DELIVERY PIPE FROM PUMP TO UNDERFLOOR PIPE
2	158002	1	STAFFA ANT. SUPERIORE -Non a ricambio- -Con la pompa idroguida completa-	UPPER FRONT BRACKET -Not as spare part- -With the complete hydraulic servo-control pump-				-Vale dopo esaurimento del 165193-	-Valid after stock exhaustion of 165193-
3	158003	1	STAFFA ANT. INFERIORE -Non a ricambio- -Con la pompa idroguida completa-	LOWER FRONT BRACKET -Not as spare part- -With the complete hydraulic servo-control pump-	22	10185111	1	BOCCHETTONE	UNION
4	158004	1	STAFFA POST. -Non a ricambio- -Con la pompa idroguida completa-	REAR BRACKET -Not as spare part- -With the complete hydraulic servo-control pump-	23	10280060	2	GUARNIZIONE	GASKET
5	158009	1	PULEGGIA POMPA IDROGUIDA	POWER STEERING PUMP PULLEY	24	160955	1	TUBO DA SERBATOIO A POMPA	PIPE FROM TANK TO PUMP
6	16051921	3	VITE	SCREW	25	159469	1	RACCORDO	UNION
7	11193874	3	ROSETTA	WASHER	26	10184411	1	BOCCHETTONE	UNION
8	158101	1	CINGHIA POMPA IDROGUIDA	POWER STEERING PUMP BELT	27	143311	2	GUARNIZIONE	GASKET
9	158000	1	STAFFA REGOLAZIONE TENSIONE CINGHIA	BELT TENSION ADJUSTING BRACKET	28	13000390	2	COLLARE A VITE	SCREW COLLAR
10	125668	1	VITE	SCREW	29	161140	1	SERBATOIO OLIO IDROGUIDA	POWER STEERING OIL TANK
11	14496524	1	ROSETTA	WASHER	30	159434	1	STAFFA -Vale per vett. con doppia pompa benzina-	BRACKET -Valid for cars with double fuel pump-
12	14305424	2	VITE	SCREW	-	164912	1	STAFFA -Vale per vett. monopompa benzina-	BRACKET -Valid for cars with single fuel pump-
13	153366	2	ROSETTA	WASHER	31	159443	1	FASCETTA SOSTEGNO SERBATOIO	TANK SUPPORT CLAMP
14	152535	1	PERNO FILETTATO	THREADED PIN	32	14305724	2	VITE	SCREW
15	104030	1	DADO	NUT	33	10519424	2	ROSETTA	WASHER
16	12646724	1	ROSETTA	WASHER	34	158255	1	TUBO GOMMA DA TUBO SOTTOPIANALE A SERBATOIO	HOSE FROM UNDERFLOOR PIPE TO TANK
17	14308574	1	VITE	SCREW	35	161490	2	COLLARE A VITE	SCREW COLLAR
18	158008	2	BOCCOLA	BUSHING	36	13525570	2	INSERTO FILETTATO	THREADED INSERT
19	11190574	1	ROSETTA	WASHER	37	—	4	VITE -Non a ricambio- -Con la pompa idroguida completa-	SCREW -Not as spare part- -With the complete hydraulic servo-control pump-
20	13526070	1	INSERTO FILETTATO	THREADED INSERT	38	—	4	DADO -Non a ricambio- -Con la pompa idroguida completa-	NUT -Not as spare part- -With the complete hydraulic servo-control pump-
21	159468	1	TUBO DI MANDATA DA POMPA A TUBO SOTTOPIANALE -Vale fino al motore No. 38260- -Non piu' a ricambio- -Sostituito dal 165193-	DELIVERY PIPE FROM PUMP TO UNDERFLOOR PIPE -Valid till engine Nr. 38260- -Not as spare part now- -Replaced by 165193-	39	—	8	ROSETTA -Non a ricambio- -Con la pompa idroguida completa-	WASHER -Not as spare part- -With the complete hydraulic servo-control pump-
-	165193	1	TUBO DI MANDATA DA POMPA A TUBO SOTTOPIANALE -Vale dal motore No. 38261- -Vale fino ad esaurimento-	DELIVERY PIPE FROM PUMP TO UNDERFLOOR PIPE -Valid from engine Nr. 38261- -Valid till stock exhaustion-					



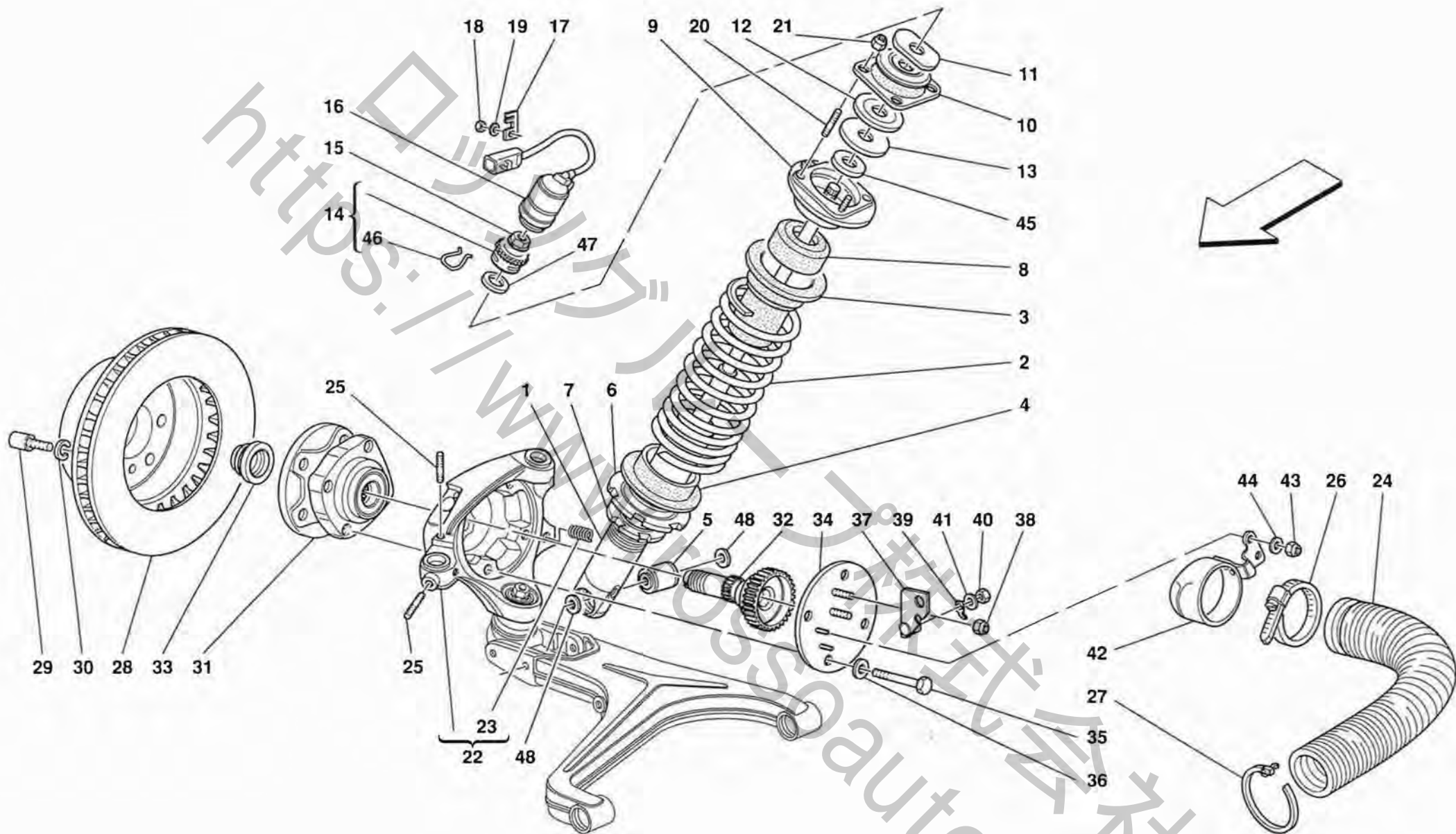
F355

SOSPENSIONE ANTERIORE - AMMORTIZZATORE E DISCO FRENO
 FRONT SUSPENSION - SHOCK ABSORBER AND BRAKE DISC

TAV. 42

DATA: GIUGNO '95

Rif	Dis.. Part.N°	Q.ty	Denominazione	Description	Rif	Dis.N° Part.N°	Q.ty	Denominazione	Description
1	157633	2	AMMORTIZZATORE ANTERIORE	FRONT SHOCK ABSORBER	-	159972	1	FUSO A SNODO COMPLETO SX.	L.H. COMPLETE STEERING KNUCKLE
2	124982	2	MOLLA	SPRING				-Vale per vett. con scatola guida	-Valid for steering box with power steering cars-
3	162985	2	DISTANZIALE SUPERIORE	UPPER SPACER				servoassistita-	
4	103264	2	DISTANZIALE INFERIORE	LOWER SPACER				-Non piu' a ricambio-	-Not as spare part now-
5	157630	2	SNODO SFERICO	BALL JOINT	-	163892	1	FUSO A SNODO COMPLETO SX.	L.H. COMPLETE STEERING KNUCKLE
6	155086	2	PIATTELLO	SPACER				-Vale per vett. con scatola guida	-Valid for steering box with power steering cars-
7	141860	2	GHIERA FILETTATA	RING NUT				servoassistita-	
8	149857	2	TAMPONE	PAD				-Vale fino alla vett. Ass. Nr. 16806-	-Valid till car Ass. Nr. 16806-
9	151547	2	SCODELLINO TENUTA MOLLA	SPRING RETAINING CUP				-Non a ricambio-	-Not as spare part-
10	114812	2	HYPERBLOCK	HYPERBLOCK				-Sostituire con 163898 + 163897	-Replace with 163898 + 163897
11	137825	2	ROSETTA	WASHER				da montare assieme-	to assemble together-
12	152654	2	ROSETTA	WASHER	-	163898	1	FUSO A SNODO COMPLETO SX.	L.H. COMPLETE STEERING KNUCKLE
13	159885	2	DISTANZIALE	SPACER				-Vale per vett. con scatola guida	-Valid for steering box with power steering cars-
14	137824	2	SUPPORTO ATTUATORE	ACTUATOR SUPPORT				servoassistita-	
15	137826	2	DADO	NUT				-Vale dalla vett. Ass. Nr. 16807-	-Valid from car Ass. Nr. 16807-
16	158732	2	ATTUATORE AMMORTIZZATORE	SHOCK ABSORBER ACTUATOR	-	157307	1	FUSO A SNODO COMPLETO SX.	L.H. COMPLETE STEERING KNUCKLE
17	155751	2	CLIP	CLIP				-Vale per vett. con scatola guida	-Valid for mechanical steering box cars-
18	12574011	1	DADO	NUT	23	133771	4	INSERTO FILETTATO	THREADED INSERT
19	10519224	1	ROSETTA	WASHER	24	164077	2	TUBO RAFFREDDAMENTO FRENI	FRONT BRAKES COOLING PIPE
20	12354524	8	PRIGIONIERO	STUD				ANT.	
21	104030	8	DADO	NUT	25	11000924	4	PRIGIONIERO	STUD
22	159971	1	FUSO A SNODO COMPLETO DX.	R.H. COMPLETE STEERING KNUCKLE	26	12177390	2	COLLARE A VITE	SCREW COLLAR
			-Vale per vett. con scatola guida	-Valid for steering box with power steering cars-	27	10292490	2	COLLARE A COPIGLIA	SPLIT PIN COLLAR
			servoassistita-		28	131750	2	DISCO FRENO ANTERIORE	FRONT BRAKE DISC
			-Non piu' a ricambio-	-Not as spare part now-	29	157841	4	VITE FISS. DISCO FRENO	BRAKE DISC FIXING SCREW
-	163894	1	FUSO A SNODO COMPLETO DX.	R.H. COMPLETE STEERING KNUCKLE	30	127496	4	ROSETTA	WASHER
			-Vale per vett. con scatola guida	-Valid for steering box with power steering cars-	31	142882	2	CUSCINETTO COMPL. DI MOZZO	HUB COMPLETE BEARING
			servoassistita-		32	157833	2	PERNO CON RUOTA FONICA	PIN WITH TOOTHED WHEEL
			-Vale fino alla vett. Ass. Nr. 16806-	-Valid till car Ass. Nr. 16806-	33	148851	2	DADO	NUT
			-Non a ricambio-	-Not as spare part-	34	159056	1	COPERCHIO DX.	R.H. COVER
			-Sostituire con 163897 + 163898	-Replace with 163897 + 163898	-	159055	1	COPERCHIO SX.	L.H. COVER
			da montare assieme-	to assemble together-	35	139973	8	VITE	SCREW
-	163897	1	FUSO A SNODO COMPLETO DX.	R.H. COMPLETE STEERING KNUCKLE	36	12601474	8	ROSETTA	WASHER
			-Vale per vett. con scatola guida	-Valid for steering box with power steering cars-	37	139692	1	SUPPORTO DX.	R.H. SUPPORT
			servoassistita-		-	139693	1	SUPPORTO SX.	L.H. SUPPORT
			-Vale dalla vett. Ass. Nr. 16807-	-Valid from car Ass. Nr. 16807-	38	12575411	4	DADO	NUT
-	157308	1	FUSO A SNODO COMPLETO DX.	R.H. COMPLETE STEERING KNUCKLE	39	143405	2	LINGUETTA FASTON	FASTON
			-Vale per vett. con scatola guida	-Valid for mechanical steering box cars-	40	15896470	2	DADO	NUT
			meccanica-		41	149951	2	ROSETTA	WASHER



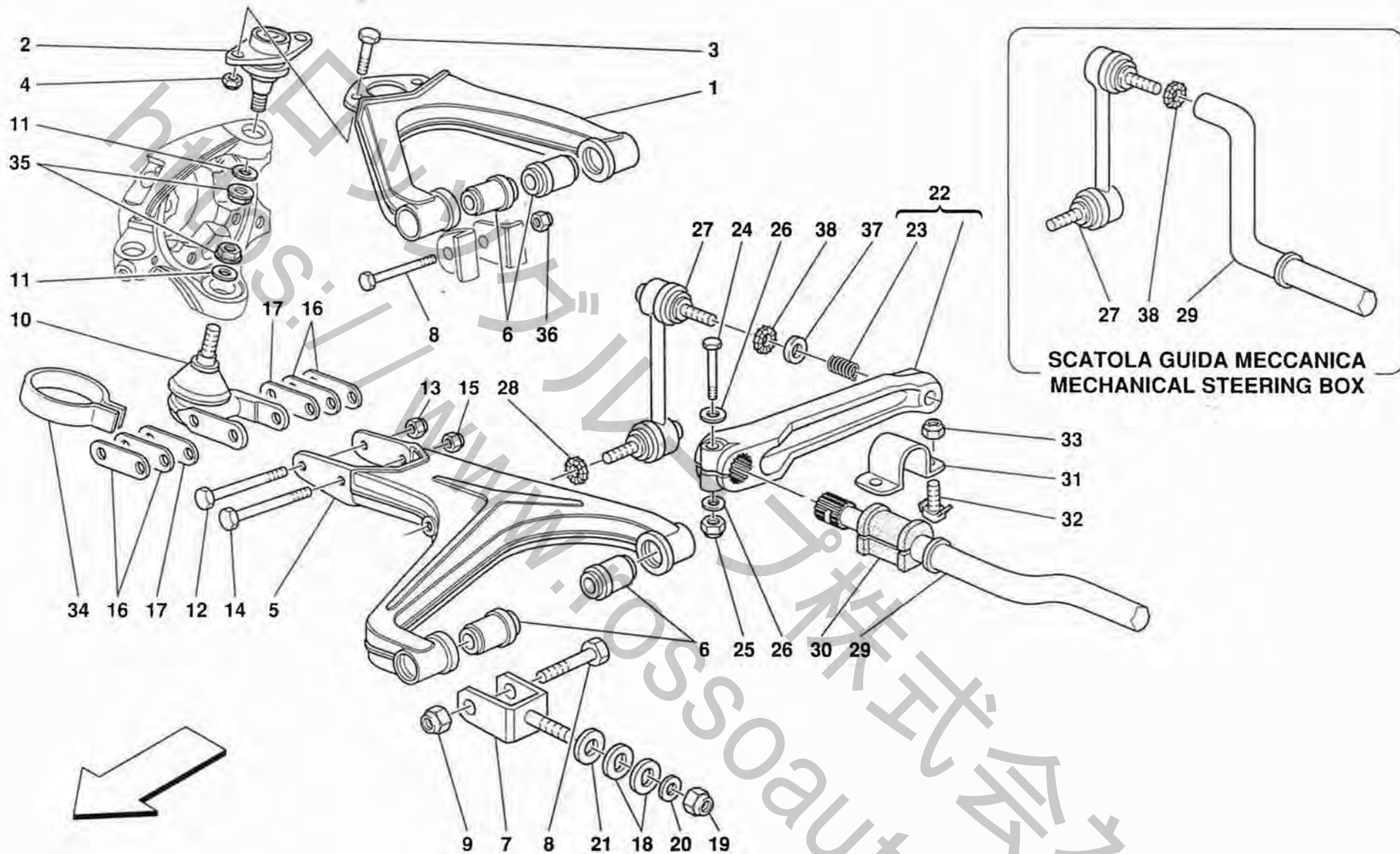
F355

SOSPENSIONE ANTERIORE - AMMORTIZZATORE E DISCO FRENO
 FRONT SUSPENSION - SHOCK ABSORBER AND BRAKE DISC

TAV. 42

DATA: GIUGNO '95

<i>Rif</i>	<i>Dis.N° Part.N°</i>	<i>Q.ty</i>	<i>Denominazione</i>	<i>Description</i>	<i>Rif</i>	<i>Dis.N° Part.N°</i>	<i>Q.ty</i>	<i>Denominazione</i>	<i>Description</i>
42	158744	1	CONVOGLIATORE ARIA FRENI DX.	R.H. BRAKES AIR INLET	43	102741	4	DADO	NUT
-	163592	1	CONVOGLIATORE ARIA FRENI DX.	R.H. BRAKES AIR INLET	44	10519424	4	ROSETTA	WASHER
			-Vale fino ad esaurimento-	-Valid till stock exhaustion-	45	157104	2	BOCCOLA	BUSHING
			-Vale dopo esaurimento del	-Valid after stock exhaustion of	46	142079	2	MOLLETTA	CLIP
			158744-	158744-	47	160461	2	ROSETTA	WASHER
-	158743	1	CONVOGLIATORE ARIA FRENI SX.	L.H. BRAKES AIR INLET				-Di eventuale montaggio-	-Possible fitting-
			-Vale fino ad esaurimento-	-Valid till stock exhaustion-	48	153495	4	ROSETTA DI RASAMENTO mm. 3,0	SPACER WASHER mm. 3,0
-	163591	1	CONVOGLIATORE ARIA FRENI SX.	L.H. BRAKES AIR INLET	-	153496	4	ROSETTA DI RASAMENTO mm. 2,9	SPACER WASHER mm. 2,9
			-Vale dopo esaurimento del	-Valid after stock exhaustion of	-	153497	4	ROSETTA DI RASAMENTO mm. 3,1	SPACER WASHER mm. 3,1
			158743-	158743-					



F355

SOSPENSIONE ANTERIORE - LEVE

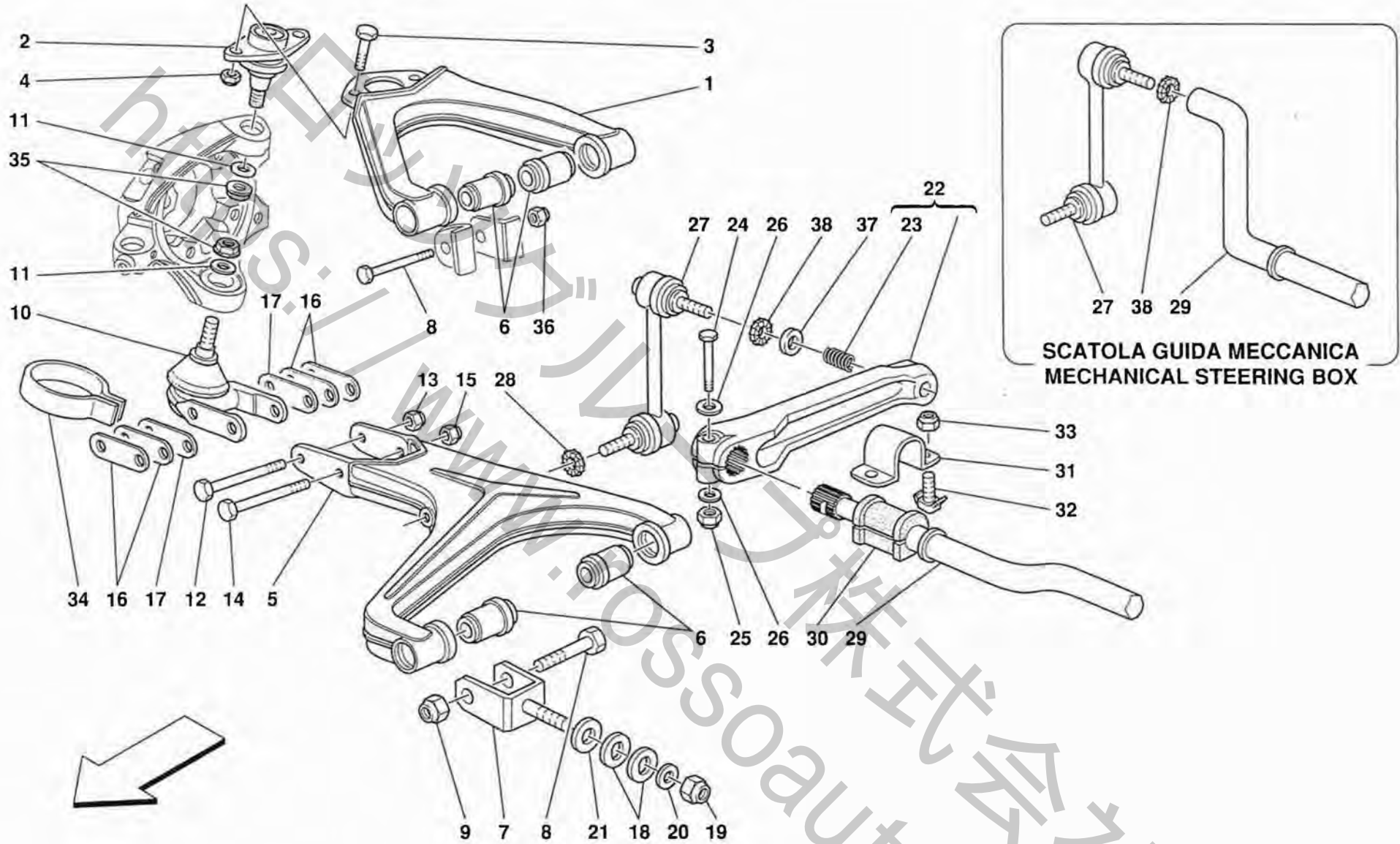
FRONT SUSPENSION - WISHBONES

TAV. 43

DATA: GIUGNO '95

Rif	Dis.N° Part.N°	Q.ty	Denominazione	Description	Rif	Dis.N° Part.N°	Q.ty	Denominazione	Description
1	159372	2	LEVA SUPERIORE -Vale per vett. con scatola guida servoassistita-	UPPER LEVER -Valid for steering box with power steering cars-	20	152617	4	ROSETTA	WASHER
-	159371	2	LEVA SUPERIORE -Vale per vett. con scatola guida meccanica-	UPPER LEVER -Valid for mechanical steering box cars-	21	159402	4	ROSETTA	WASHER
2	132776	2	GIUNTO SFERICO SUPERIORE	UPPER BALL JOINT	22	161813	2	BRACCIO PER BARRA STABILIZZATRICE -Vale per vett. con scatola guida servoassistita-	ARM FOR ANTI-ROLL BAR -Valid for steering box with power steering cars-
3	16043724	4	VITE	SCREW	23	13526170	2	INSERTO FILETTATO -Vale per vett. con scatola guida servoassistita-	THREADED INSERT -Valid for steering box with power steering cars-
4	104030	4	DADO	NUT	24	16044221	2	VITE -Vale per vett. con scatola guida servoassistita-	SCREW -Valid for steering box with power steering cars-
5	159305	2	LEVA INFERIORE	LOWER LEVER	25	101139	2	DADO -Vale per vett. con scatola guida servoassistita-	NUT -Valid for steering box with power steering cars-
6	163038	8	FLAMBLOCK	FLAMBLOCK	26	12604479	4	ROSETTA -Vale per vett. con scatola guida servoassistita-	WASHER -Valid for steering box with power steering cars-
7	159398	4	FORCELLA INFERIORE	LOWER FORK	27	161109	1	TIRANTE SFERICO DX. -Vale per vett. con scatola guida servoassistita-	R.H. BALL TIE ROD -Valid for steering box with power steering cars-
8	106419	8	VITE	SCREW	-	159306	1	TIRANTE SFERICO DX. -Vale per vett. con scatola guida meccanica-	R.H. BALL TIE ROD -Valid for mechanical steering box cars-
9	102825	4	DADO	NUT	-	161110	1	TIRANTE SFERICO SX. -Vale per vett. con scatola guida servoassistita-	L.H. BALL TIE ROD -Valid for steering box with power steering cars-
10	133944	2	GIUNTO SFERICO INFERIORE	LOWER BALL JOINT	-	159307	1	TIRANTE SFERICO SX. -Vale per vett. con scatola guida meccanica-	L.H. BALL TIE ROD -Valid for mechanical steering box cars-
11	122237	4	ROSETTA	WASHER	28	160092	2	ROSETTA	WASHER
12	15971624	2	VITE	SCREW	29	159353	1	BARRA STABILIZZATRICE ANT. -Vale per vett. con scatola guida servoassistita-	FRONT ANTI-ROLL BAR -Valid for steering box with power steering cars-
13	102742	2	DADO	NUT	-	159304	1	BARRA STABILIZZATRICE ANT. -Vale per vett. con scatola guida meccanica-	FRONT ANTI-ROLL BAR -Valid for mechanical steering box cars-
14	132667	2	VITE	SCREW	30	118371	2	TAMPONE PER BARRA	BAR BUFFER
15	102825	2	DADO	NUT	31	133802	2	PIASTRINA TENUTA TAMPONE	PAD FASTENING PLATE
16	101022	10	PIASTRINA REGISTRAZIONE INCIDENZA	SETTING PLATE	32	14672491	4	VITE	SCREW
17	101022	2	PIASTRINA REGISTRAZIONE INCIDENZA mm. 1,5 -Di eventuale montaggio-	SETTING PLATE mm. 1,5 -Possible fitting-	33	104030	4	DADO	NUT
-	164484	2	PIASTRINA REGISTRAZIONE INCIDENZA mm. 1,0 -Di eventuale montaggio-	SETTING PLATE mm. 1,0 -Possible fitting-					
-	115073	2	PIASTRINA REGISTRAZIONE INCIDENZA mm. 1,2 -Di eventuale montaggio-	SETTING PLATE mm. 1,2 -Possible fitting-					
-	164485	2	PIASTRINA REGISTRAZIONE INCIDENZA mm. 2,0 -Di eventuale montaggio-	SETTING PLATE mm. 2,0 -Possible fitting-					
18	107025	8	ROSETTA DI RASAMENTO mm. 1,0	SPACER WASHER mm. 1,0					
-	107418	-	ROSETTA DI RASAMENTO mm. 1,5	SPACER WASHER mm. 1,5					
-	107419	-	ROSETTA DI RASAMENTO mm. 2,0	SPACER WASHER mm. 2,0					
-	107420	-	ROSETTA DI RASAMENTO mm. 2,5	SPACER WASHER mm. 2,5					
-	107421	-	ROSETTA DI RASAMENTO mm. 3,0	SPACER WASHER mm. 3,0					
-	107422	-	ROSETTA DI RASAMENTO mm. 3,25	SPACER WASHER mm. 3,25					
19	150238	4	DADO	NUT					

Tavola 43 - SOSPENSIONE ANTERIORE - LEVE FRONT SUSPENSION - WISHBONES



F355

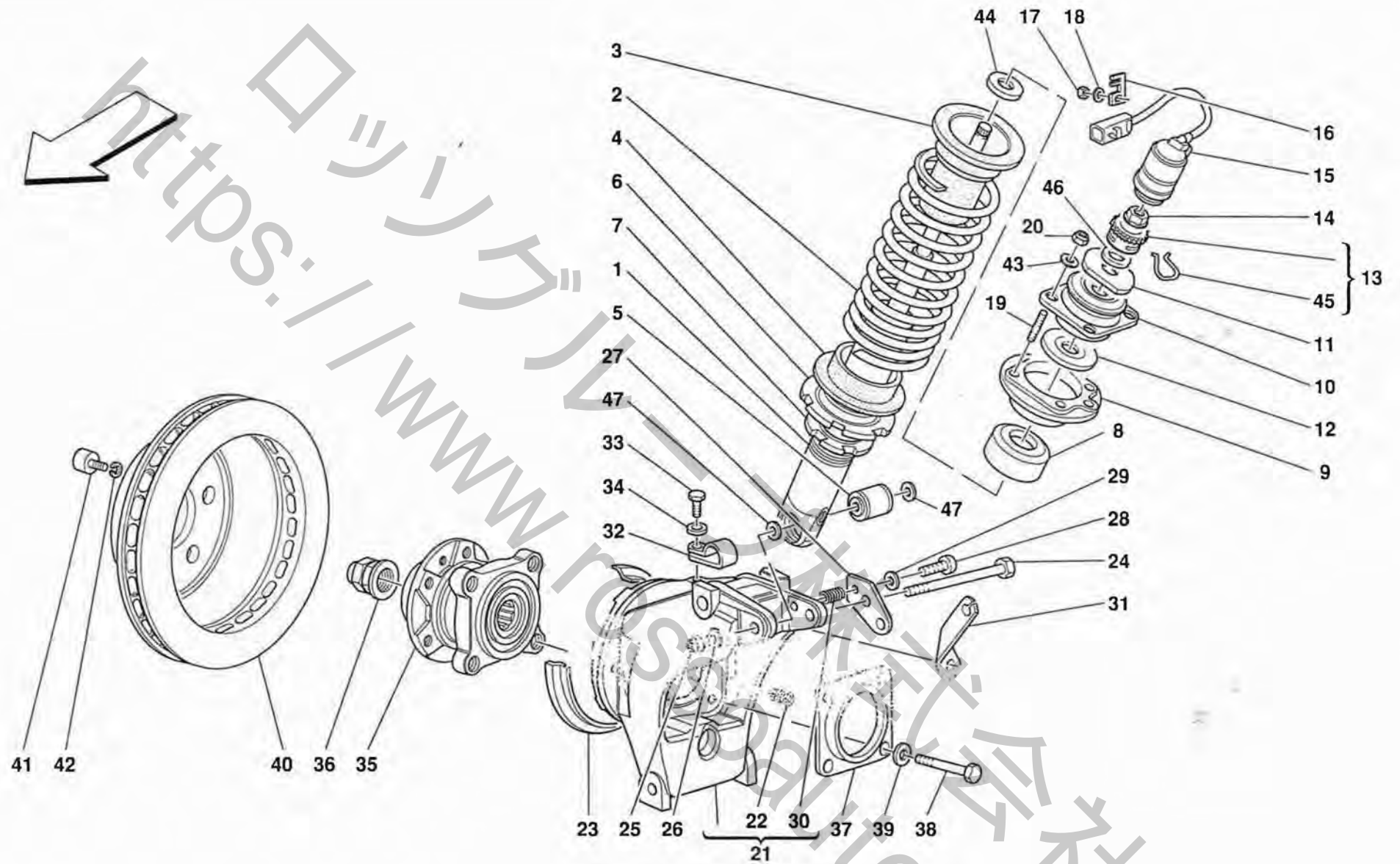
SOSPENSIONE ANTERIORE - LEVE
FRONT SUSPENSION - WISHBONES

TAV. 43

DATA: GIUGNO '95

<i>Rif</i>	<i>Dis.N° Part.N°</i>	<i>Q.ty</i>	<i>Denominazione</i>	<i>Description</i>	<i>Rif</i>	<i>Dis.N° Part.N°</i>	<i>Q.ty</i>	<i>Denominazione</i>	<i>Description</i>
34	160019	2	PROTEZIONE GIUNTO SFERICO	BALL JOINT PROTECTION	37	102901	2	ROSETTA DI RASAMENTO	SPACER WASHER
35	149807	4	DADO	NUT				-Vale per vett. con scatola guida servoassistita-	-Valid for steering box with power steering cars-
36	163534	4	DADO	NUT	38	160092	2	ROSETTA	WASHER

<https://www.rossi.com>



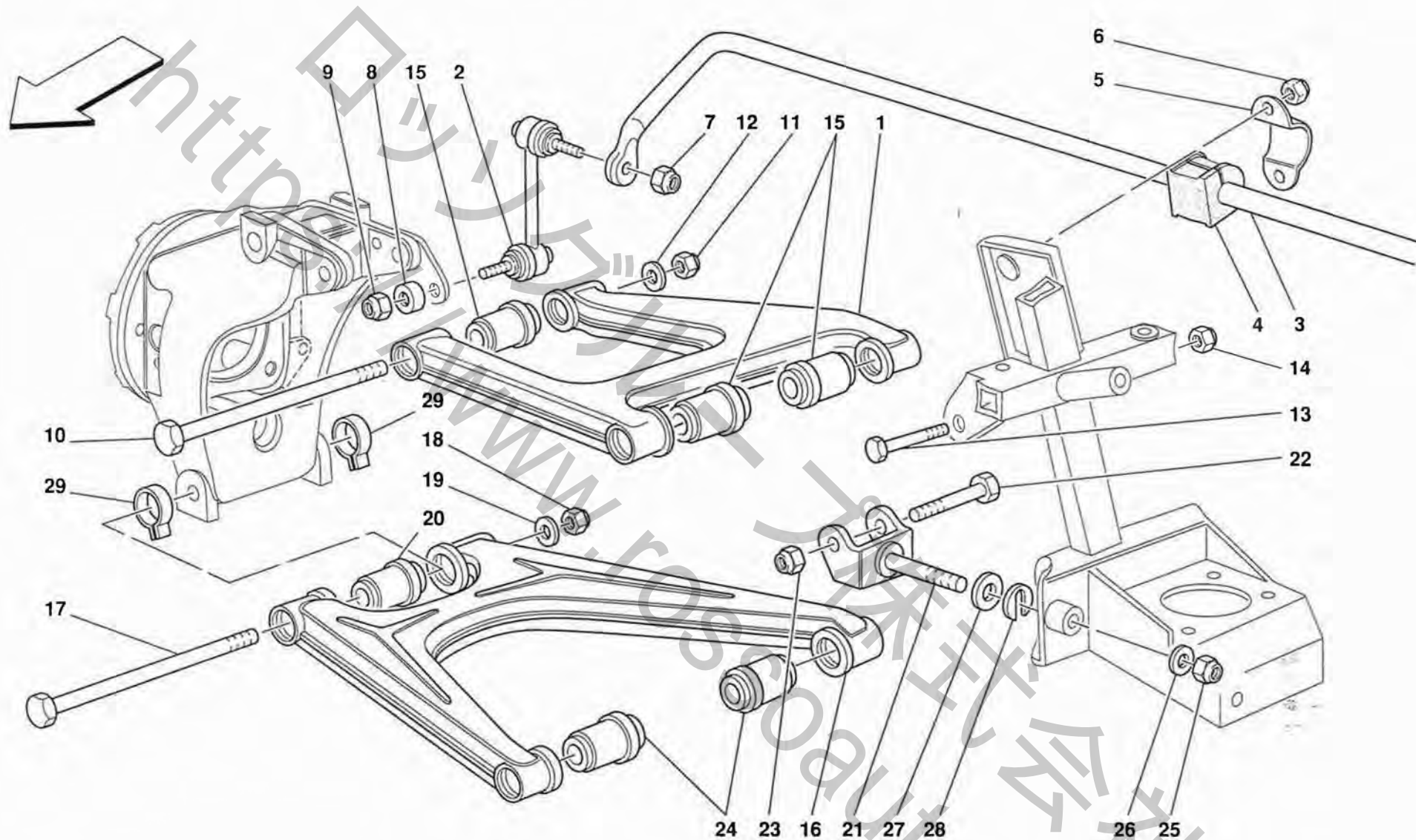
F355

SOSPENSIONE POSTERIORE - AMMORTIZZATORE E DISCO FRENO
REAR SUSPENSION - SHOCK ABSORBER AND BRAKE DISC

TAV. 44

DATA: GIUGNO '95

Rif	Dis.N° Part.N°	Q.ty	Denominazione	Description	Rif	Dis.N° Part.N°	Q.ty	Denominazione	Description
1	157634	2	AMMORTIZZATORE POSTERIORE	REAR SHOCK ABSORBER	24	159309	2	VITE	SCREW
2	151882	2	MOLLA	SPRING	25	102825	2	DADO	NUT
3	162986	2	DISTANZIALE SUPERIORE	UPPER SPACER	26	157115	2	ROSETTA	WASHER
			-Non piu' a ricambio-	-Not as spare part now-				-Vale fino ad esaurimento-	-Valid till stock exhaustion-
			-Sostituito dal 165555-	-Replaced by 165555-	-	12601579	2	ROSETTA	WASHER
-	165555	2	DISTANZIALE SUPERIORE	UPPER SPACER				-Vale dopo esaurimento del 157115-	-Valid after stock exhaustion of 157115-
4	113581	2	DISTANZIALE INFERIORE	LOWER SPACER	27	159308	2	PIASTRINO FISS. TIRANTE SFERICO	BALL TIE ROD FIXING PLATE
5	157630	2	SNODO SFERICO	BALL JOINT	28	60909500	2	VITE	SCREW
6	155086	2	PIATTELLO	SPACER	29	127494	2	ROSETTA	WASHER
7	141860	2	GHIERA FILETTATA	RING NUT	30	13525470	2	INSERTO FILETTATO	THREADED INSERT
8	163599	2	TAMPONE	PAD	31	140674	1	STAFFA DX.	R.H. BRACKET
9	151547	2	SCODELLINO TENUTA MOLLA	SPRING RETAINING CUP	-	140675	1	STAFFA SX.	L.H. BRACKET
10	114812	2	HYPERBLOCK	HYPERBLOCK	32	10418501	2	STAFFETTA	BRACKET
11	137825	2	ROSETTA	WASHER	33	10902024	2	VITE	SCREW
12	152654	2	ROSETTA	WASHER	34	12601274	2	ROSETTA	WASHER
13	137824	2	SUPPORTO ATTUATORE	ACTUATOR SUPPORT	35	157900	2	CUSCINETTO COMPL. DI MOZZO	HUB COMPLETE BEARING
14	137826	2	DADO	NUT	36	148851	2	DADO	NUT
15	158732	2	ATTUATORE AMMORTIZZATORE	SHOCK ABSORBER ACTUATOR	37	139900	2	PARAPOLVERE PORTAMOZZO	HUB HOLDER DUCT PROTECTION
16	155751	2	CLIP	CLIP	38	139973	8	VITE	SCREW
17	12574011	2	DADO	NUT	39	12601474	8	ROSETTA	WASHER
18	10519224	2	ROSETTA	WASHER	40	131868	2	DISCO FRENO POSTERIORE	REAR BRAKE DISC
19	12354524	8	PRIGIONIERO	STUD	41	157841	4	VITE FISS. DISCO FRENO	BRAKE DISC FIXING SCREW
20	104030	8	DADO	NUT	42	127496	4	ROSETTA	WASHER
21	162963	1	PORTAMOZZO POSTERIORE DX.	R.H. REAR HUB HOLDER	43	12638524	8	ROSETTA	WASHER
			-Non a ricambio-	-Not as spare part-	44	157104	2	BOCCOLA	BUSHING
			-Sostituito dal 162938-	-Replaced by 162938-	45	142079	2	MOLLETTA	CLIP
-	162938	1	PORTAMOZZO POSTERIORE DX.	R.H. REAR HUB HOLDER	46	160461	2	ROSETTA	WASHER
-	162964	1	PORTAMOZZO POSTERIORE SX.	L.H. REAR HUB HOLDER				-Di eventuale montaggio-	-Possible fitting-
			-Non a ricambio-	-Not as spare part-	47	153495	8	ROSETTA DI RASAMENTO mm. 3,0	SPACER WASHER mm. 3,0
			-Sostituito dal 162939-	-Replaced by 162939-	-	153496	8	ROSETTA DI RASAMENTO mm. 2,9	SPACER WASHER mm. 2,9
-	162939	1	PORTAMOZZO POSTERIORE SX.	L.H. REAR HUB HOLDER	-	153497	8	ROSETTA DI RASAMENTO mm. 3,1	SPACER WASHER mm. 3,1
22	133771	4	INSERTO FILETTATO	THREADED INSERT					
23	103117	2	COPERCHIETTO PARASPRUZZI	MUDGUARDS COVER					



F355

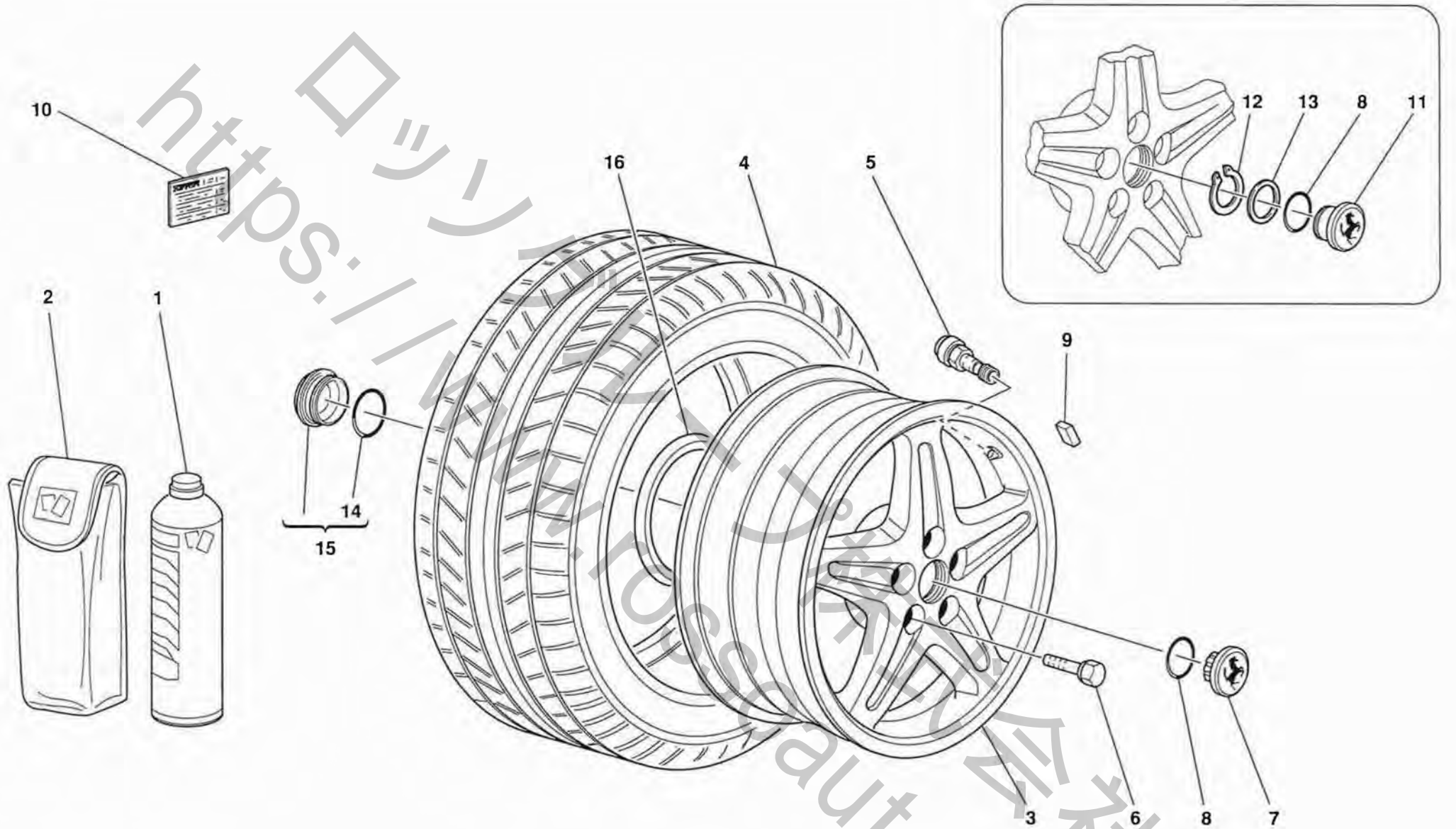
SOSPENSIONE POSTERIORE - LEVE
 REAR SUSPENSION - WISHBONES

TAV. 45
 DATA: GIUGNO '95

Rif	Dis. iv Part. N°	Q.ty	Denominazione	Description	Rif	Dis. N° Part. N°	Q.ty	Denominazione	Description
1	159373	2	LEVA SUPERIORE	UPPER LEVER	20	161572	4	FLAMBLOCK	FLAMBLOCK
2	159306	1	TIRANTE SFERICO DX.	R.H. BALL TIE ROD	21	159399	4	FORCELLA INFERIORE	LOWER FORK
-	159307	1	TIRANTE SFERICO SX.	L.H. BALL TIE ROD	22	106422	4	VITE	SCREW
3	159303	1	BARRA STABILIZZATRICE POST.	REAR ANTI-ROLL BAR	23	150238	4	DADO	NUT
4	118276	2	TAMPONE PER BARRA	BAR BUFFER	24	161573	4	FLAMBLOCK	FLAMBLOCK
5	133802	2	PIASTRINA TENUTA TAMPONE	PAD FASTENING PLATE	25	150238	4	DADO	NUT
6	101139	4	DADO	NUT	26	101041	4	ROSETTA	WASHER
7	102742	2	DADO	NUT	27	159402	1	ROSETTA mm. 3	WASHER mm. 3
8	121681	2	DISTANZIALE	SPACER	-	159402	1	ROSETTA mm. 3	WASHER mm. 3
9	102742	2	DADO	NUT	-	165087	1	ROSETTA mm. 2	WASHER mm. 2
10	128904	2	VITE	SCREW	-	159402	2	ROSETTA mm. 3	WASHER mm. 3
11	102825	2	DADO	NUT	-	165087	1	ROSETTA mm. 2	WASHER mm. 2
12	106616	2	ROSETTA	WASHER	-	159402	2	ROSETTA mm. 3	WASHER mm. 3
-	12601579	2	ROSETTA	WASHER	28	101039	4	ROSETTA DI RASAMENTO mm. 1,0	SPACER WASHER mm. 1,0
			-Vale fino ad esaurimento-	-Valid till stock exhaustion-	-	107338	-	ROSETTA DI RASAMENTO mm. 1,5	SPACER WASHER mm. 1,5
			-Vale dopo esaurimento del	-Valid after stock exhaustion of	-	107339	-	ROSETTA DI RASAMENTO mm. 2,0	SPACER WASHER mm. 2,0
			106616-	106616-	-	107340	-	ROSETTA DI RASAMENTO mm. 2,5	SPACER WASHER mm. 2,5
13	106419	4	VITE	SCREW	-	107341	-	ROSETTA DI RASAMENTO mm. 3,0	SPACER WASHER mm. 3,0
14	102825	4	DADO	NUT	-	107342	-	ROSETTA DI RASAMENTO mm. 3,25	SPACER WASHER mm. 3,25
15	161571	8	FLAMBLOCK	FLAMBLOCK	29	160020	4	PROTEZIONE FLAMBLOCK	FLAMBLOCK PROTECTION
16	159374	2	LEVA INFERIORE	LOWER LEVER					
17	136218	2	VITE	SCREW					
18	150238	2	DADO	NUT					
19	105434	2	ROSETTA	WASHER					

Rif	Dis... Part.N°	Q.ty	Denominazione	Description
1	137724	1	BOMBOLETTA RIPARA GOMMA	CYLINDER FOR TYRE REPAIR
2	145506	1	CUSTODIA	PORTFOLIO
3	160820	2	CERCHIO RUOTA ANTERIORE 7 1/2" J X 18"	FRONT WHEEL RIM 7 1/2" J X 18"
-	166475	2	CERCHIO RUOTA ANTERIORE 7 1/2" J X 18" -Vale fino ad esaurimento-	FRONT WHEEL RIM 7 1/2" J X 18" -Valid till stock exhaustion-
-	160821	2	CERCHIO RUOTA POSTERIORE 10" J X 18" -Vale dopo esaurimento del 160820- -Da montare con protezione 167137 - Vedi Pos. 15-	REAR WHEEL RIM 10" J X 18" -Valid after stock exhaustion of 160820- -To be assembled with protection 167137 - See Pos. 15-
-	166476	2	CERCHIO RUOTA POSTERIORE 10" J X 18" -Vale fino ad esaurimento-	REAR WHEEL RIM 10" J X 18" -Valid till stock exhaustion-
-	160023	2	PNEUMATICO ANTERIORE BRIDGESTONE 225/40 ZR18 -No per J-	FRONT TYRE BRIDGESTONE 225/40 ZR18 -Not for J-
-	160026	2	PNEUMATICO ANTERIORE PIRELLI 225/40 ZR18	FRONT TYRE PIRELLI 225/40 ZR18
-	160028	2	PNEUMATICO ANTERIORE MICHELIN 225/40 ZR18	FRONT TYRE MICHELIN 225/40 ZR18
-	160024	1	PNEUMATICO POSTERIORE DX. BRIDGESTONE 265/40 ZR18 -No per J-	R.H. REAR TYRE BRIDGESTONE 265/40 ZR18 -Not for J-
-	160025	1	PNEUMATICO POSTERIORE SX. BRIDGESTONE 265/40 ZR18 -No per J-	L.H. REAR TYRE BRIDGESTONE 265/40 ZR18 -Not for J-
-	160027	2	PNEUMATICO POSTERIORE PIRELLI 265/40 ZR18	REAR TYRE PIRELLI 265/40 ZR18
-	160029	2	PNEUMATICO POSTERIORE MICHELIN 265/40 ZR18	REAR TYRE MICHELIN 265/40 ZR18
5	105069	4	VALVOLA	VALVE
6	146989	20	COLONNETTA RUOTE	WHEEL STUD
7	108947	4	COPPETTA	RIM CUP

Rif	Dis.N° Part.N°	Q.ty	Denominazione	Description
8	120065	4	GUARNIZIONE O.R.	O.R. GASKET
9	155302	-	CONTRAPPESO 60 Gr.	60 Gr. COUNTER-WEIGHT
-	162677	-	CONTRAPPESO 90 Gr. -In alternativa-	90 Gr. COUNTER-WEIGHT -As an alternative-
10	163625	1	TARGHETTA PRESSIONE PNEUMATICI -BRIDGESTONE- -No per USA, CDN, AUS e J-	TYRE PRESSURE PLATE -BRIDGESTONE- -Not for USA, CDN, AUS and J-
-	163936	1	TARGHETTA PRESSIONE PNEUMATICI -BRIDGESTONE- -Vale per USA e CDN-	TYRE PRESSURE PLATE -BRIDGESTONE- -Valid for USA and CDN-
-	165453	1	TARGHETTA PRESSIONE PNEUMATICI -BRIDGESTONE- -Vale per AUS-	TYRE PRESSURE PLATE -BRIDGESTONE- -Valid for AUS-
-	160046	1	TARGHETTA PRESSIONE PNEUMATICI -PIRELLI- -No per USA, CDN, AUS-	TYRE PRESSURE PLATE -PIRELLI- -Not for USA, CDN, AUS-
-	163937	1	TARGHETTA PRESSIONE PNEUMATICI -PIRELLI- -Vale per USA e CDN-	TYRE PRESSURE PLATE -PIRELLI- -Valid for USA and CDN-
-	165452	1	TARGHETTA PRESSIONE PNEUMATICI -PIRELLI- -Vale per AUS-	TYRE PRESSURE PLATE -PIRELLI- -Valid for AUS-
-	164501	1	TARGHETTA PRESSIONE PNEUMATICI -MICHELIN- -No per USA, CDN, AUS e J-	TYRE PRESSURE PLATE -MICHELIN- -Not for USA, CDN, AUS and J-
-	163938	1	TARGHETTA PRESSIONE PNEUMATICI -MICHELIN- -Vale per USA e CDN-	TYRE PRESSURE PLATE -MICHELIN- -Valid for USA and CDN-
-	165454	1	TARGHETTA PRESSIONE PNEUMATICI -MICHELIN- -Vale per AUS-	TYRE PRESSURE PLATE -MICHELIN- -Valid for AUS-
-	164501	1	TARGHETTA PRESSIONE PNEUMATICI -MICHELIN- -Vale per J-	TYRE PRESSURE PLATE -MICHELIN- -Valid for J-
11	154794	4	COPPETTA -Vale per cerchio senza protezione 167137 - Vedi Pos. 15-	RIM CUP -Valid for rim without protection 167137 - See Pos. 15-
12	11068974	4	SEEGER -Vale per coppetta 154794- -Vedi Pos. 11-	SEEGER -Valid for rim cup 154794- -See Pos. 11-



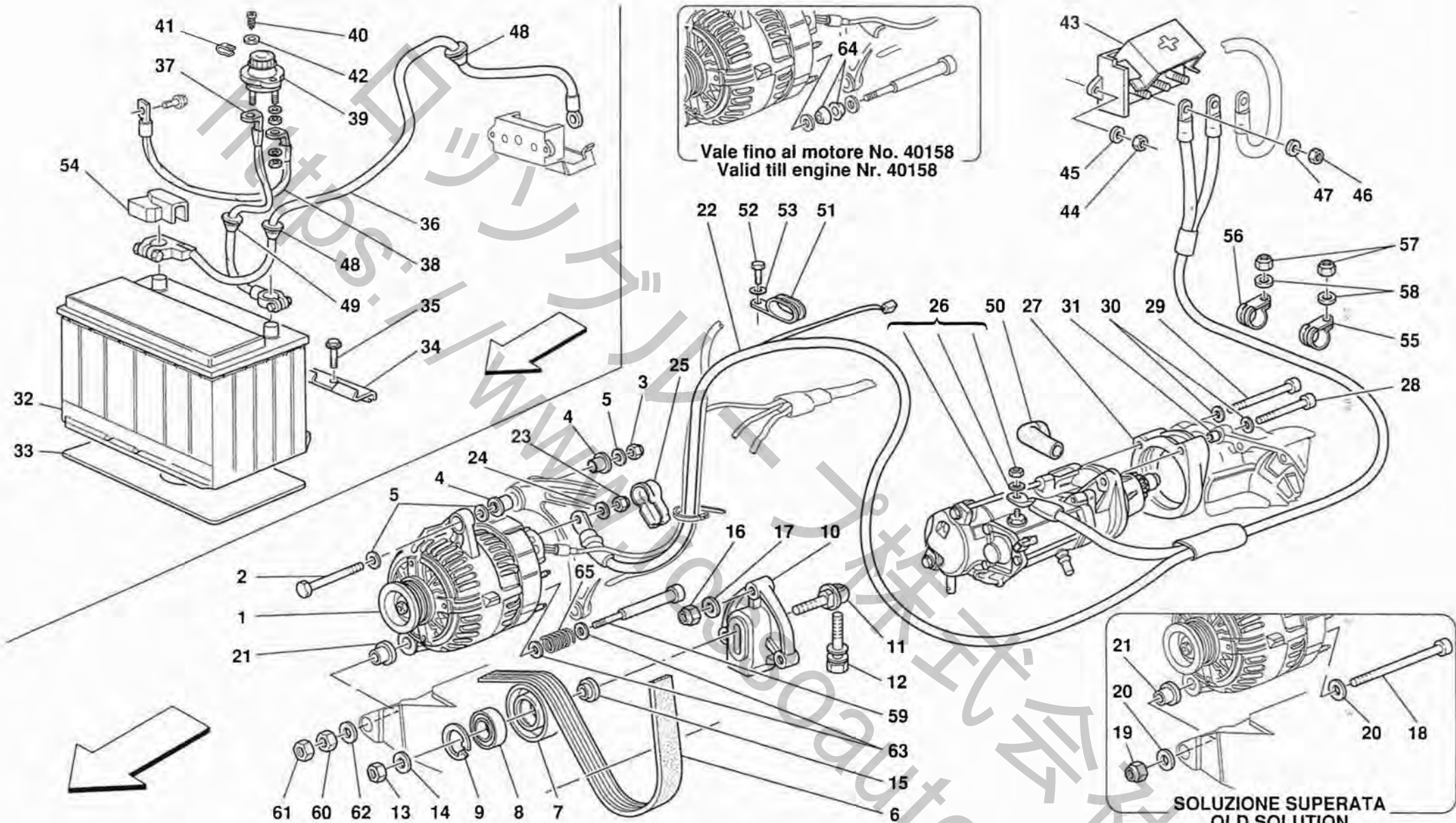
F355

RUOTE
WHEELS

TAV. 46
DATA: GIUGNO '95

<i>Rif</i>	<i>Dis.N° Part.N°</i>	<i>Q.ty</i>	<i>Denominazione</i>	<i>Description</i>
13	154795	4	ROSETTA	WASHER
			-Vale per coppetta 154794-	-Valid for rim cup 154794-
			-Vedi Pos. 11-	-See Pos. 11-
14	167139	4	GUARNIZIONE	GASKET

<i>Rif</i>	<i>Dis.N° Part.N°</i>	<i>Q.ty</i>	<i>Denominazione</i>	<i>Description</i>
15	167137	4	PROTEZIONE COMPLETA PER CERCHIO	RIM COMPLETE PROTECTION
			-Vale per cerchi 166475 e 166476-	-Valid for rims 166475 and 166476-
			-Vedi Pos. 3-	-See Pos. 3-
16	161927	4	GUARNIZIONE PER CERCHIO	GASKET FOR RIM



F355

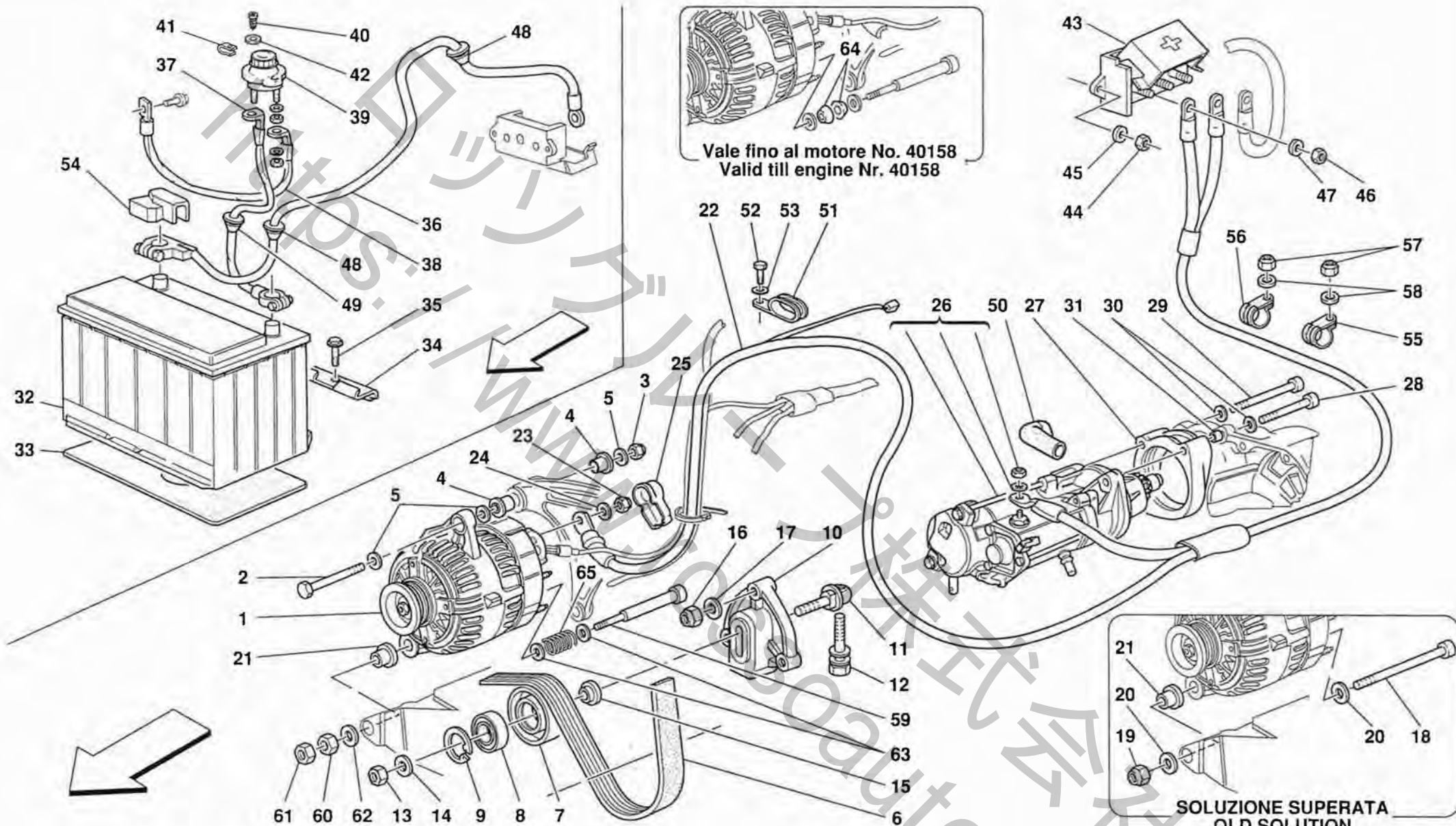
GENERATORE DI CORRENTE - MOTORINO DI AVVIAMENTO - BATTERIA
CURRENT GENERATOR - STARTING MOTOR - BATTERY

TAV. 47

DATA: GIUGNO '95

Rif	Dis.N° Part.N°	Q.ty	Denominazione	Description
1	158047	1	ALTERNATORE 140 A.	140 A. ALTERNATOR
2	15971321	1	VITE	SCREW
3	102742	1	DADO	NUT
4	163834	2	ESTENDBLOCK	ESTENDBLOCK
5	13550421	3	ROSETTA	WASHER
6	158102	1	CINGHIA COMANDO GENERATORE	GENERATOR CONTROL BELT
7	148632	1	PULEGGIA TENDICINGHIA	BELT TIGHTENING PULLEY
8	123350	1	CUSCINETTO	BEARING
9	11060076	1	ANELLO SEEGER	SEEGER RING
10	153687	1	STAFFA SUPPORTO TENDICINGHIA	BELT TIGHTENING SUPPORT BRACKET
11	148630	1	PERNO FILETTATO	THREADED PIN
12	157289	1	VITE	SCREW
13	148020	1	DADO	NUT
14	10730721	1	ROSETTA	WASHER
15	158180	1	DISTANZIALE	SPACER
16	101139	3	DADO	NUT
17	12601374	3	ROSETTA	WASHER
18	14360234	1	VITE	SCREW
19	102742	1	DADO	NUT
20	126648	2	ROSETTA	WASHER
21	160877	1	BOCCOLA	BUSHING
-	164467	1	BOCCOLA	BUSHING
-			-Vale fino al motore No. 37691-	-Valid till engine Nr. 37691-
-			-Vale dal motore No. 37692-	-Valid from engine Nr. 37692-
22	157506	1	CAVO COLLEG. MORSETTIERA- MOTORINO AVV.-ALTERNATORE	ALTERNATOR-STARTER MOTOR- TERMINAL BOX CONNECTING CABLE
23	16102324	1	DADO	NUT
24	12601374	1	ROSETTA	WASHER
25	154803	1	CAPPUCCIO	BOOT
26	155166	1	MOTORINO AVVIAMENTO	STARTER MOTOR
27	155873	1	SUPPORTO MOTORINO AVVIAMENTO	STARTER MOTOR SUPPORT
28	16044521	2	VITE	SCREW
29	16045021	1	VITE	SCREW
30	12601374	3	ROSETTA	WASHER
31	100041	2	GRANO	DOWEL
32	61933900	1	BATTERIA 12V-70AH-420A	BATTERY 12V-70AH-420A
-	157496	1	BATTERIA 12V-70AH-400A	BATTERY 12V-70AH-400A
33	63653600	1	PEDANA ANTIVIBRANTE	ANTI-VIBRATIONS PAD
34	62573400	1	STAFFA FISS. BATTERIA	BATTERY FIXING BRACKET

Rif	Dis.N° Part.N°	Q.ty	Denominazione	Description
35	13837411	1	VITE	SCREW
36	157502	1	CAVO COLLEG. BATTERIA A MORSETTIERA ANT.	BATTERY TO FRONT TERMINAL BOX CONNECTING CABLE
-	160894	1	-No per GD- CAVO COLLEG. BATTERIA A MORSETTIERA ANT.	-Not for GD- BATTERY TO FRONT TERMINAL BOX CONNECTING CABLE
-			-Vale per GD-	-Valid for GD-
37	157505	1	TRECCIA COLLEG. BATTERIA-STACCABATTERIA	BATTERY-CUT OUT SWITCH CONNECTING PLAIT
38	153128	1	TRECCIA COLLEG. STACCABATTERIA-MASSA	CUT OUT SWITCH-MASS CONNECTING PLAIT
39	139607	1	INTERRUTTORE STACCABATTERIA	CUT-OUT SWITCH
40	15688278	2	VITE	SCREW
41	61067800	2	STAFFETTA	BRACKET
42	12637806	2	ROSETTA	WASHER
43	153357	1	MORSETTIERA	TERMINAL BOX
44	12574011	2	DADO	NUT
45	10519224	2	ROSETTA	WASHER
46	101139	3	DADO	NUT
47	12601374	3	ROSETTA	WASHER
48	149043	2	PASSACAVO	CABLE BUSHING
49	149043	1	PASSACAVO	CABLE BUSHING
50	150815	1	CAPPUCCIO PROTEZIONE	PROTECTION BOOT
51	126672	1	STAFFETTA CON GUAINA	BRACKET WITH SHEATH
52	10902011	1	VITE	SCREW
53	12604274	1	ROSETTA	WASHER
54	144727	1	CAPPUCCIO PROTEZIONE	PROTECTION BOOT
55	10441790	1	STAFFETTA CON GUAINA	BRACKET WITH SHEATH
56	10441690	1	STAFFETTA CON GUAINA	BRACKET WITH SHEATH
57	12574211	2	DADO	NUT
58	10519424	2	ROSETTA	WASHER
59	130431	1	VITE	SCREW
-	164463	1	VITE	SCREW
-			-Vale fino al motore No. 37691-	-Valid till engine Nr. 37691-
-			-Vale dal motore No. 37692 fino al motore No. 40158-	-Valid from engine Nr. 37692 till engine Nr. 40158-
-	166563	1	VITE	SCREW
-			-Vale dal motore No. 40159-	-Valid from engine Nr. 40159-
60	10791021	1	DADO	NUT
61	149719	1	DADO	NUT
62	126648	1	ROSETTA	WASHER



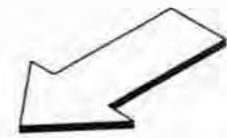
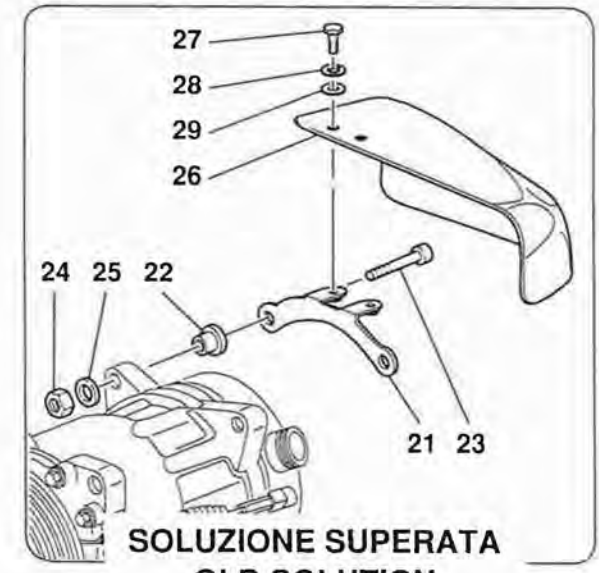
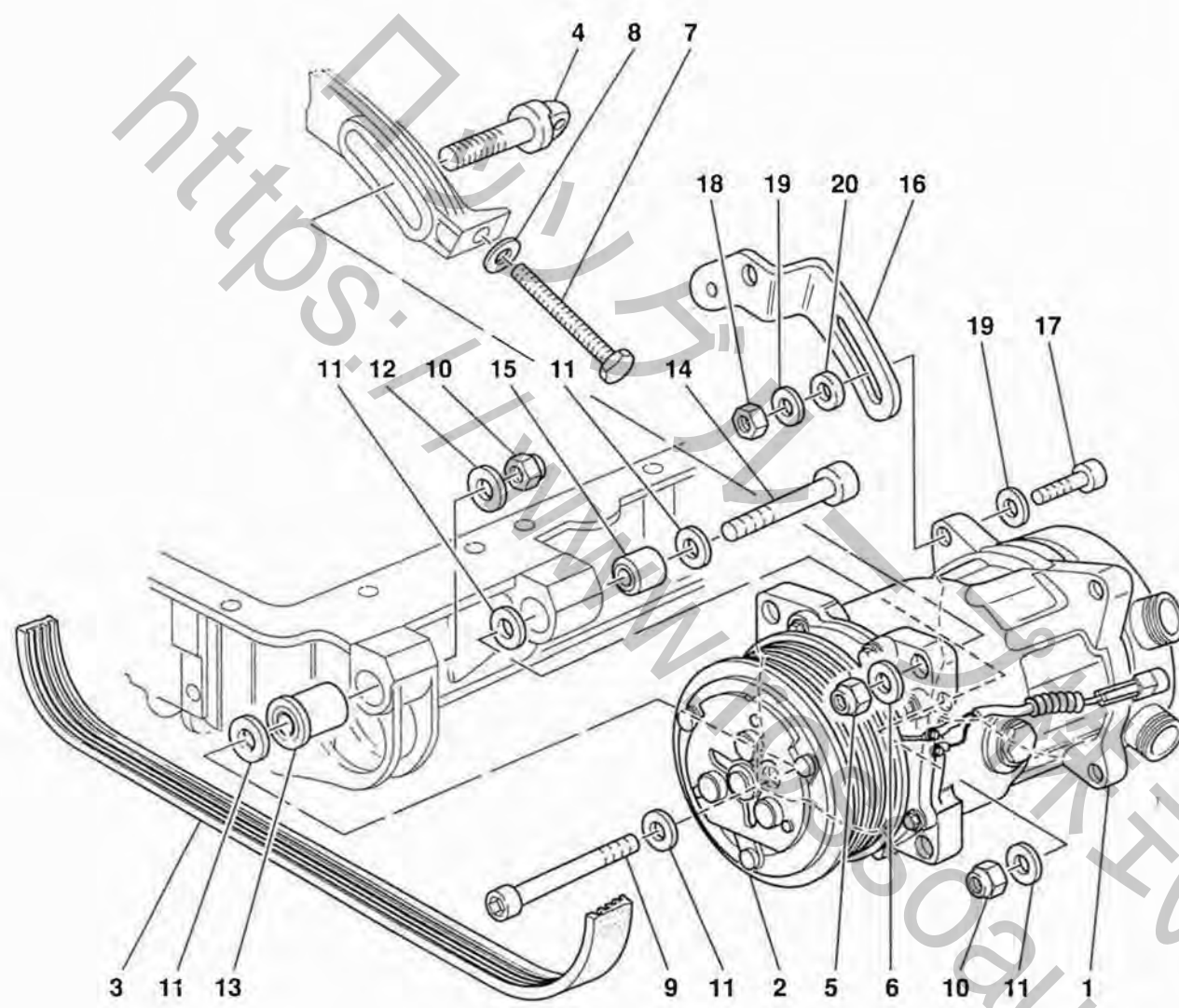
F355

GENERATORE DI CORRENTE - MOTORINO DI AVVIAMENTO - BATTERIA
CURRENT GENERATOR - STARTING MOTOR - BATTERY

TAV. 47

DATA: GIUGNO '95

<i>Rif</i>	<i>Dis.N° Part.N°</i>	<i>Q.ty</i>	<i>Denominazione</i>	<i>Description</i>	<i>Rif</i>	<i>Dis.N° Part.N°</i>	<i>Q.ty</i>	<i>Denominazione</i>	<i>Description</i>
63	12642524	2	ROSETTA	WASHER	64	11190574	2	ROSETTA	WASHER
-	164469	2	ROSETTA	WASHER	65	111743	1	MOLLA	SPRING
			-Vale fino al motore No. 37691-	-Valid till engine Nr. 37691-				-Vale fino al motore No. 40158-	-Valid till engine Nr. 40158-
			-Vale dal motore No. 37692-	-Valid from engine Nr. 37692-				-Vale dal motore No. 40159-	-Valid from engine Nr. 40159-



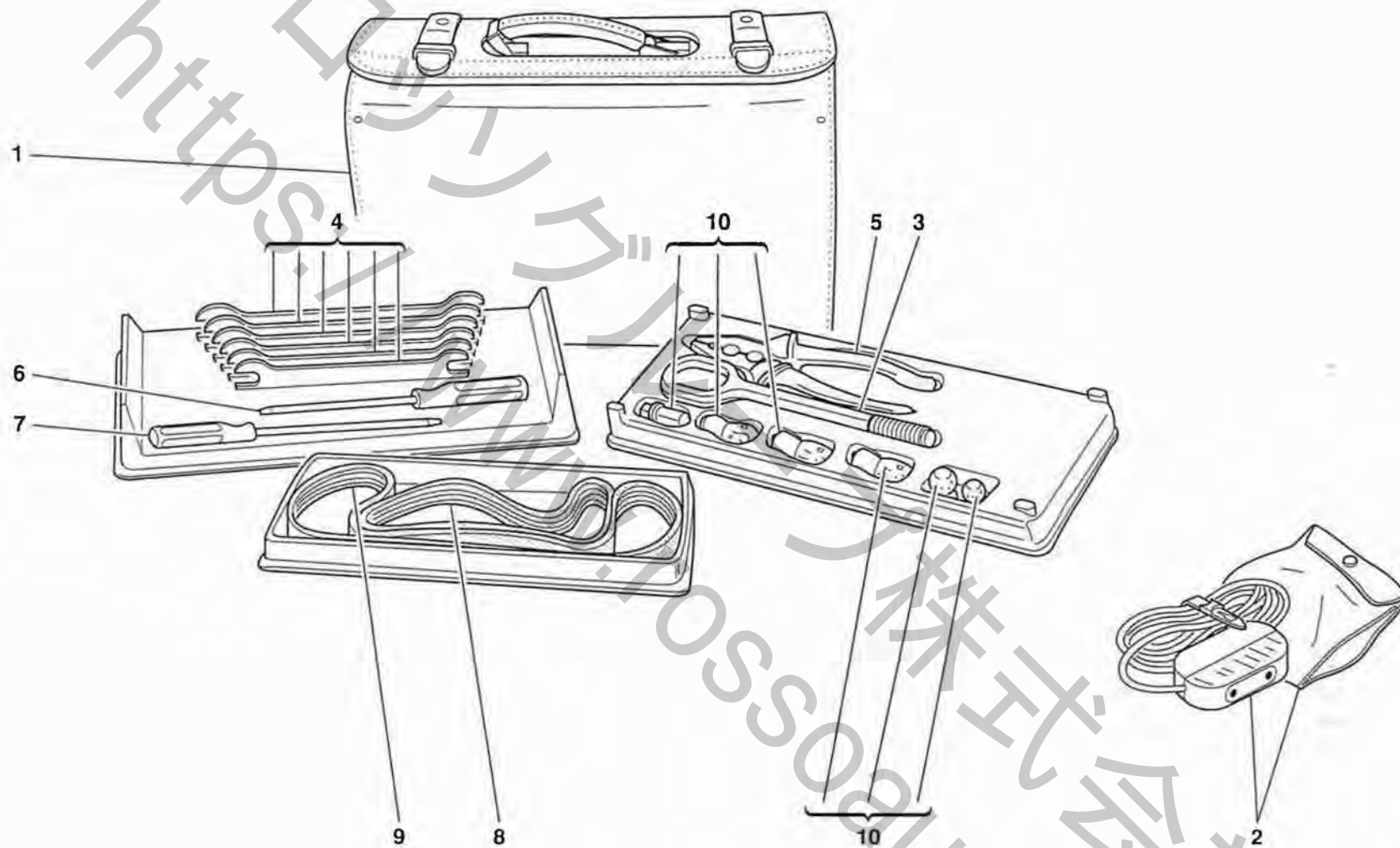
F355

COMPRESSORE ARIA CONDIZIONATA
AIR CONDITIONING COMPRESSOR

TAV. 48

DATA: GIUGNO '95

<i>Rif</i>	<i>Dis.N° Part.N°</i>	<i>Q.ty</i>	<i>Denominazione</i>	<i>Description</i>	<i>Rif</i>	<i>Dis.N° Part.N°</i>	<i>Q.ty</i>	<i>Denominazione</i>	<i>Description</i>
1	157355	1	COMPRESSORE ARIA CONDIZIONATA	AIR CONDITIONING COMPRESSOR	15	135108	1	ESTENDBLOCK	ESTENDBLOCK
2	138331	1	GIUNTO ELETTROMAGNETICO	ELECTRO-MAGNETIC JOINT	16	162946	1	STAFFA POSTERIORE	REAR BRACKET
3	156703	1	CINGHIA COMANDO COMPRESSORE	COMPRESSOR CONTROL BELT	17	14307624	1	VITE	SCREW
4	156434	1	PERNO FILETTATO	THREADED PIN	18	133988	1	DADO	NUT
5	102742	1	DADO	NUT	19	12604579	2	ROSETTA	WASHER
6	13550401	1	ROSETTA	WASHER	20	12626021	1	ROSETTA	WASHER
7	125668	1	VITE	SCREW	21	161469	1	STAFFA	BRACKET
8	14496524	1	ROSETTA	WASHER	22	151606	2	BOCCOLA	BUSHING
9	101632	1	VITE	SCREW	23	14306424	2	VITE	SCREW
10	102742	2	DADO	NUT	24	16100814	2	DADO	NUT
11	12642524	5	ROSETTA	WASHER	25	11193874	2	ROSETTA	WASHER
12	12626224	1	ROSETTA	WASHER	26	160708	1	PARATIA PROTEZIONE COMPRESSORE	SHIELD FOR COMPRESSOR PROTECTION
13	137768	1	ESTENDBLOCK	ESTENDBLOCK	27	10902121	2	VITE	SCREW
14	14308121	1	VITE	SCREW	28	127494	2	ROSETTA	WASHER
					29	12644424	2	ROSETTA	WASHER



F355

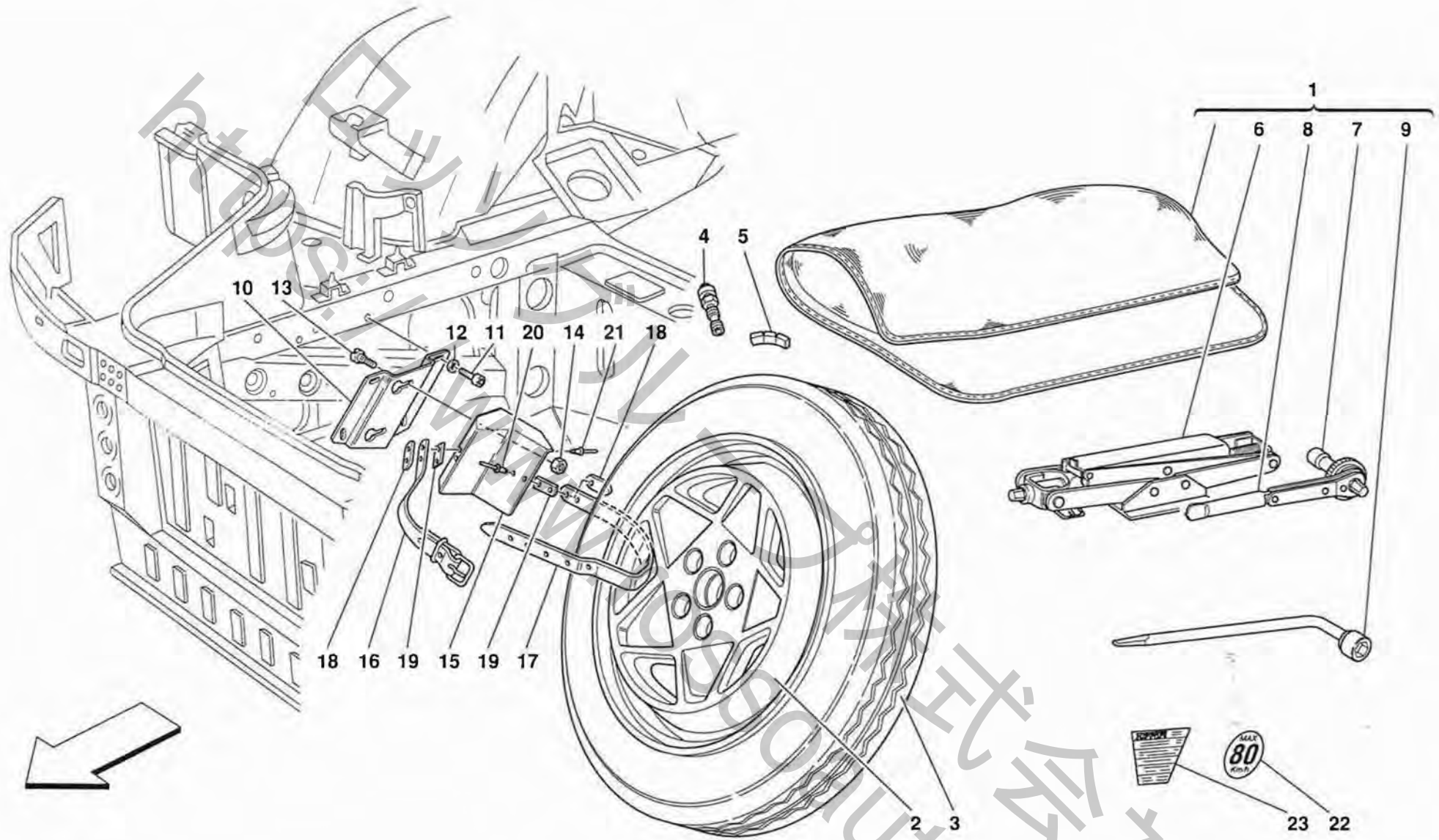
DOTAZIONE ATTREZZI
TOOLS EQUIPMENT

TAV. 49

DATA: GIUGNO '95

Rif	Dis.N° Part.N°	Q.ty	Denominazione	Description
-	156484	1	BORSA PORTA ATTREZZI COMPLETA -No per USA e CDN- -Vale per vett. senza "Kit ruota di scorta"- -Vedi Tav. 50-	COMPLETE TOOL KIT BAG -Not for USA and CDN- -Valid for cars without "Spare wheel kit"- -See Table 50-
-	164683	1	BORSA PORTA ATTREZZI COMPLETA -No per USA e CDN- -Vale per vett. con "Kit ruota di scorta"- -Vedi Tav. 50-	COMPLETE TOOL KIT BAG -Not for USA and CDN- -Valid for cars with "Spare wheel kit"- -See Table 50-
-	160723	1	BORSA PORTA ATTREZZI COMPLETA -Vale per USA e CDN- -Vale per vett. senza "Kit ruota di scorta"- -Vedi Tav. 50-	COMPLETE TOOL KIT BAG -Valid for USA and CDN- -Valid for cars without "Spare wheel kit"- -See Table 50-
-	166447	1	BORSA PORTA ATTREZZI COMPLETA -Vale per USA e CDN- -Vale per vett. con "Kit ruota di scorta"- -Vedi Tav. 50-	COMPLETE TOOL KIT BAG -Valid for USA and CDN- -Valid for cars with "Spare wheel kit"- -See Table 50-
1	137722	1	BORSA PORTA ATTREZZI VUOTA -Vale per vett. senza "Kit ruota di scorta"- -Vedi Tav. 50-	EMPTY TOOL KIT BAG -Valid for cars without "Spare wheel kit"- -See Table 50-
-	166415	1	BORSA PORTA ATTREZZI VUOTA -Vale per vett. con "Kit ruota di scorta"- -Vedi Tav. 50-	EMPTY TOOL KIT BAG -Valid for cars with "Spare wheel kit"- -See Table 50-
2	142397	1	LAMPADA DI SOCCORSO	EMERGENCY LIGHT

Rif	Dis.N° Part.N°	Q.ty	Denominazione	Description
3	143290	1	GANCIO DI TRAINO	TOW HOOK
4	141188	1	SERIE CHIAVI FISSE 6/19 -Non a ricambio- -Con il complessivo 156484-	WRENCH SET 6/19 -Not as spare part- -With the assembly 156484-
5	101515	1	PINZA UNIVERSALE DA 190 MM. -Non a ricambio- -Con il complessivo 156484-	190 MM. CUTTING PLIERS -Not as spare part- -With the assembly 156484-
6	101519	1	CACCIAVITE PER VITI INT. CROCE -Non a ricambio- -Con il complessivo 156484-	SCREWDRIVER FOR CROSS SLOT SCREWS -Not as spare part- -With the assembly 156484-
7	101517	1	CACCIAVITE PER VITI AD INTAGLIO -Non a ricambio- -Con il complessivo 156484-	SCREWDRIVER FOR SLOT SCREW -Not as spare part- -With the assembly 156484-
8	156703	1	CINGHIA COMANDO COMPRESSORE A.C.	A.C. COMPRESSOR CONTROL BELT
9	158102	1	CINGHIA COMANDO GENERATORE E POMPA ACQUA	WATER PUMP AND GENERATOR CONTROL BELT
10	14142390	1	LAMPADA 12V-4W -No per USA e CDN-	12V-4W BULB -Not for USA and CDN-
-	14145890	1	LAMPADA SAE 12V TIPO 194-2CP -Vale per USA e CDN-	SAE 12V 194-2CP BULB -Valid for USA and CDN-
-	10857790	1	LAMPADA 12V-5W	12V-5W BULB
-	14144690	1	LAMPADA 12V-5/21W	12V-5/21W BULB
-	14148190	1	LAMPADA 12V-21W	12V-21W BULB
-	14151095	1	LAMPADA 12V-55W TIPO H1	H1 12V-55W BULB
-	152567	1	LAMPADA 12V-21W -Vetro arancio-	12V-21W BULB -Orange glass-
-	143165	1	LAMPADA 12V-55W TIPO HB4 -No per USA e CDN-	HB4 12V-55W BULB -Not for USA and CDN-
-	143166	1	LAMPADA 12V-65W TIPO HB3 -Vale per USA e CDN-	HB3 12V-65W BULB -Valid for USA and CDN-



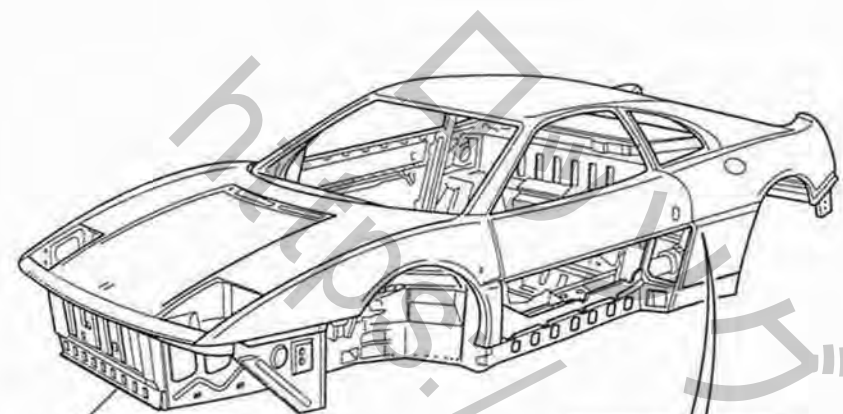
F355

RUOTA DI SCORTA ED ATTREZZI - Optional-
SPARE WHEEL AND EQUIPMENT - Optional-

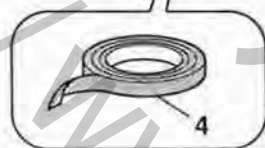
TAV. 50

DATA: GIUGNO '95

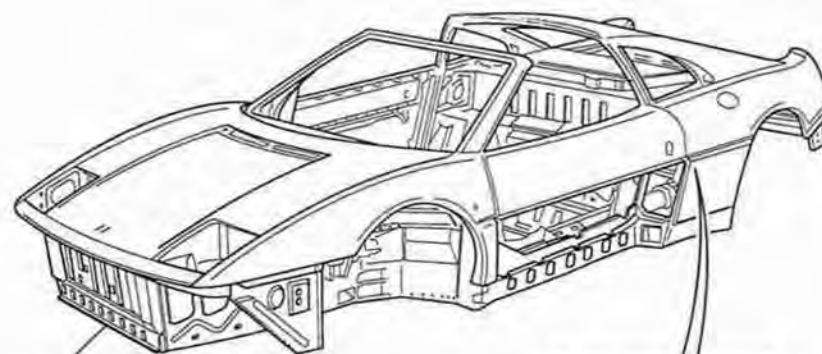
<i>Rif</i>	<i>Dis.N° Part.N°</i>	<i>Q.ty</i>	<i>Denominazione</i>	<i>Description</i>	<i>Rif</i>	<i>Dis.N° Part.N°</i>	<i>Q.ty</i>	<i>Denominazione</i>	<i>Description</i>
-	165438	1	KIT RUOTA DI SCORTA -No per USA e CDN-	SPARE WHEEL KIT -Not for USA and CDN-	7	106531	1	CHIAVE A BUSSOLA	SOCKET WRENCH
-	165441	1	KIT RUOTA DI SCORTA -Vale per USA e CDN-	SPARE WHEEL KIT -Valid for USA and CDN-	8	106532	1	CHIAVE A CRICCO	RATCHET SPANNER
1	148506	1	TROUSSE PER SOSTITUZIONE RUOTE	WHEELS REPLACEMENT TOOL KIT	9	106877	1	CHIAVE PER RUOTA	WHEEL WRENCH
2	165440	1	CERCHIO RUOTA DI SCORTA 3" 1/4 b X 18"	SPARE WHEEL RIM 3" 1/4 b X 18"	10	63601900	1	STAFFA FISSA DX.	R.H. FIXED BRACKET
3	133815	1	PNEUMATICO GOOD-YEAR 115/85 R18 -Vale fino ad esaurimento-	TYRE GOOD-YEAR 115/85 R18 -Valid till stock exhaustion-	-	63602000	1	STAFFA FISSA SX.	L.H. FIXED BRACKET
-	167211	1	PNEUMATICO GOOD-YEAR 115/85 R18 -Vale dopo esaurimento del 133815-	TYRE GOOD-YEAR 115/85 R18 -Valid after stock exhaustion of 133815-	11	14305287	8	VITE	SCREW
4	105069	1	VALVOLA	VALVE	12	11194377	8	ROSETTA	WASHER
5	155302	-	CONTRAPPESO 60 Gr.	60 Gr. COUNTER-WEIGHT	13	63603700	4	PERNO FILETTATO	THREADED PIN
-	162677	-	CONTRAPPESO 90 Gr. -In alternativa-	90 Gr. COUNTER-WEIGHT -As an alternative-	14	14059311	4	DADO	NUT
6	106530	1	MARTINETTO SOLLEVAMENTO VETTURA	JACK FOR CAR LIFTING	15	63603100	1	STAFFA MOBILE DX.	R.H. MOBILE BRACKET
					-	63603200	1	STAFFA MOBILE SX.	L.H. MOBILE BRACKET
					16	63604500	2	CINTURINO CON FIBBIA	BELT WITH BUCKLE
					17	63604600	2	CINTURINO	BELT
					18	64483500	4	PIASTRINO	SMALL PLATE
					19	63604700	4	PIASTRINO	SMALL PLATE
					20	63615500	4	RIVETTO	RIVET
					21	60174307	4	RIVETTO	RIVET
					22	153815	1	TARGHETTA ADESIVA -No per USA e CDN-	ADHESIVE PLATE -Not for USA and CDN-
					23	139886	1	TARGHETTA ADESIVA -Vale per USA e CDN-	ADHESIVE PLATE -Valid for USA and CDN-



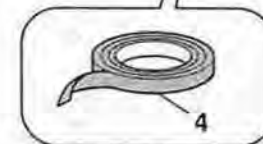
1



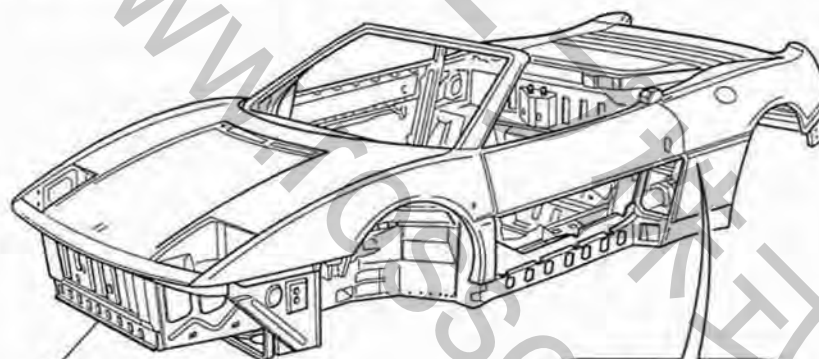
4



2



4



3



4



F355

SCocca - COMPLESSIVI GENERALI

BODY - GENERAL UNITS

TAV. 100

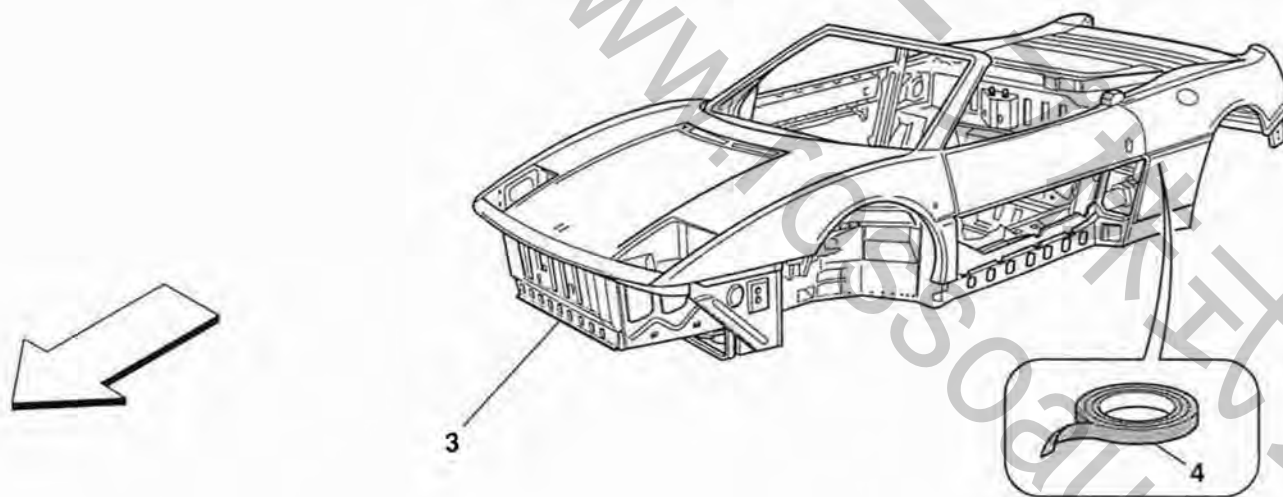
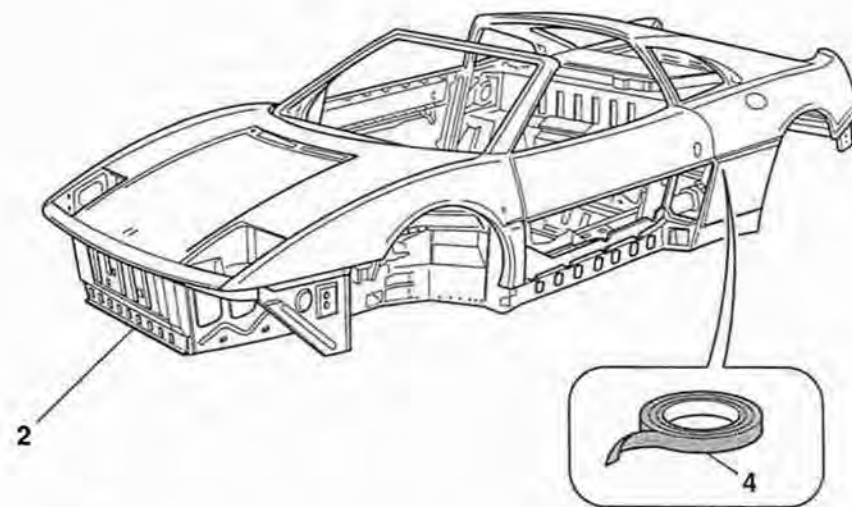
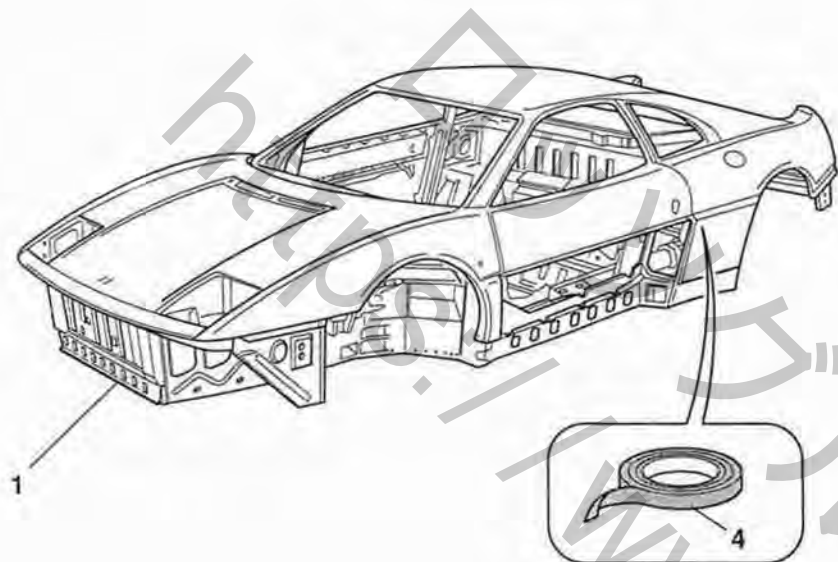
DATA: GIUGNO '95

Rif	Dis. N° Part. N°	Q.ty	Denominazione	Description
1	64538300	1	SCocca COMPLETA -Vale per BERLINETTA senza AIR-BAG- -No per USA, CDN, CH, SA, J e GD-	COMPLETE BODYWORK -Valid for BERLINETTA without AIR-BAG- -Not for USA, CDN, CH, SA, J and GD-
-	64981500	1	SCocca COMPLETA -Vale per BERLINETTA con AIR-BAG- -No per USA, CDN, CH, SA, J e GD-	COMPLETE BODYWORK -Valid for BERLINETTA with AIR-BAG- -Not for USA, CDN, CH, SA, J and GD-
-	64782100	1	SCocca COMPLETA -Vale per BERLINETTA USA-	COMPLETE BODYWORK -Valid for USA BERLINETTA-
-	64782200	1	SCocca COMPLETA -Vale per BERLINETTA CDN-	COMPLETE BODYWORK -Valid for CDN BERLINETTA-
-	64782300	1	SCocca COMPLETA -Vale per BERLINETTA CH senza AIR-BAG-	COMPLETE BODYWORK -Valid for CH BERLINETTA without AIR-BAG-
-	64981600	1	SCocca COMPLETA -Vale per BERLINETTA CH con AIR-BAG-	COMPLETE BODYWORK -Valid for CH BERLINETTA with AIR-BAG-
-	64782400	1	SCocca COMPLETA -Vale per BERLINETTA SA senza AIR-BAG-	COMPLETE BODYWORK -Valid for SA BERLINETTA without AIR-BAG-
-	64981700	1	SCocca COMPLETA -Vale per BERLINETTA SA con AIR-BAG-	COMPLETE BODYWORK -Valid for SA BERLINETTA with AIR-BAG-
-	64782500	1	SCocca COMPLETA -Vale per BERLINETTA J senza AIR-BAG-	COMPLETE BODYWORK -Valid for J BERLINETTA without AIR-BAG-
-	64981800	1	SCocca COMPLETA -Vale per BERLINETTA J con AIR-BAG-	COMPLETE BODYWORK -Valid for J BERLINETTA with AIR-BAG-
-	64782600	1	SCocca COMPLETA -Vale per BERLINETTA GD senza AIR-BAG- -No per BERLINETTA AUS-	COMPLETE BODYWORK -Valid for GD BERLINETTA without AIR-BAG- -Not for AUS BERLINETTA-
-	64981900	1	SCocca COMPLETA -Vale per BERLINETTA GD con AIR-BAG- -No per BERLINETTA AUS-	COMPLETE BODYWORK -Valid for GD BERLINETTA with AIR-BAG- -Not for AUS BERLINETTA-
-	64782700	1	SCocca COMPLETA -Vale per BERLINETTA AUS senza AIR-BAG-	COMPLETE BODYWORK -Valid for AUS BERLINETTA without AIR-BAG-

Tavola 100 - SCocca - COMPLESSIVI GENERALI BODY - GENERAL UNITS

Rif	Dis. N° Part. N°	Q.ty	Denominazione	Description
-	64982000	1	SCocca COMPLETA -Vale per BERLINETTA AUS con AIR-BAG-	COMPLETE BODYWORK -Valid for AUS BERLINETTA with AIR-BAG-
2	64782800	1	SCocca COMPLETA -Vale per GTS senza AIR-BAG- -No per USA, CDN, CH, SA, J e GD-	COMPLETE BODYWORK -Valid for GTS without AIR-BAG- -Not for USA, CDN, CH, SA, J and GD-
-	64982100	1	SCocca COMPLETA -Vale per GTS con AIR-BAG- -No per USA, CDN, CH, SA, J e GD-	COMPLETE BODYWORK -Valid for GTS with AIR-BAG- -Not for USA, CDN, CH, SA, J and GD-
-	64782900	1	SCocca COMPLETA -Vale per GTS USA e GTS CDN-	COMPLETE BODYWORK -Valid for USA GTS e CDN GTS-
-	64783000	1	SCocca COMPLETA -Vale per GTS CH senza AIR-BAG-	COMPLETE BODYWORK -Valid for CH GTS without AIR-BAG-
-	64982200	1	SCocca COMPLETA -Vale per GTS CH con AIR-BAG-	COMPLETE BODYWORK -Valid for CH GTS with AIR-BAG-
-	64783100	1	SCocca COMPLETA -Vale per GTS SA senza AIR-BAG-	COMPLETE BODYWORK -Valid for SA GTS without AIR-BAG-
-	64982300	1	SCocca COMPLETA -Vale per GTS SA con AIR-BAG-	COMPLETE BODYWORK -Valid for SA GTS with AIR-BAG-
-	64783200	1	SCocca COMPLETA -Vale per GTS J senza AIR-BAG-	COMPLETE BODYWORK -Valid for J GTS without AIR-BAG-
-	64982400	1	SCocca COMPLETA -Vale per GTS J con AIR-BAG-	COMPLETE BODYWORK -Valid for J GTS with AIR-BAG-
-	64783300	1	SCocca COMPLETA -Vale per GTS GD senza AIR-BAG- -No per GTS AUS-	COMPLETE BODYWORK -Valid for GD GTS without AIR-BAG- -Not for AUS GTS-
-	64982500	1	SCocca COMPLETA -Vale per GTS GD con AIR-BAG- -No per GTS AUS-	COMPLETE BODYWORK -Valid for GD GTS with AIR-BAG- -Not for AUS GTS-
-	64783400	1	SCocca COMPLETA -Vale per GTS AUS senza AIR-BAG-	COMPLETE BODYWORK -Valid for AUS GTS without AIR-BAG-
-	64982600	1	SCocca COMPLETA -Vale per GTS AUS con AIR-BAG-	COMPLETE BODYWORK -Valid for AUS GTS with AIR-BAG-
3	64923800	1	SCocca COMPLETA -Vale per Spider senza AIR-BAG- -No per GD-	COMPLETE BODYWORK -Valid for Spider without AIR-BAG- -Not for GD-
-	64982700	1	SCocca COMPLETA -Vale per Spider con AIR-BAG- -No per USA e GD-	COMPLETE BODYWORK -Valid for Spider with AIR-BAG- -Not for USA and GD-
-	64925100	1	SCocca COMPLETA -Vale per Spider USA-	COMPLETE BODYWORK -Valid for USA Spider-

Tavola 100



F355

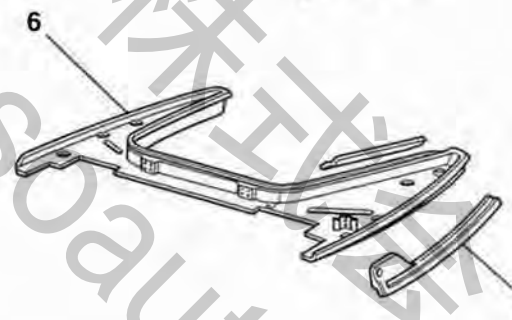
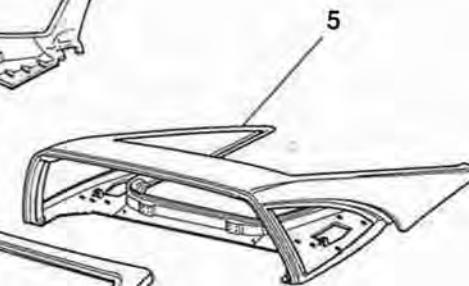
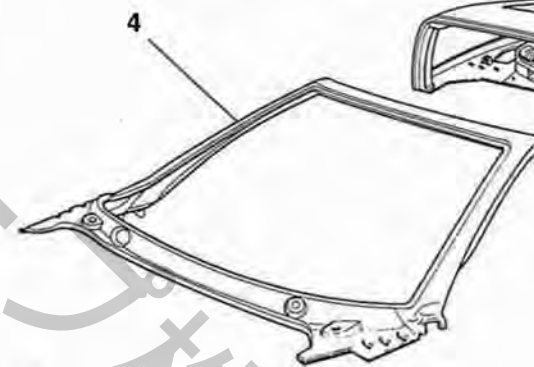
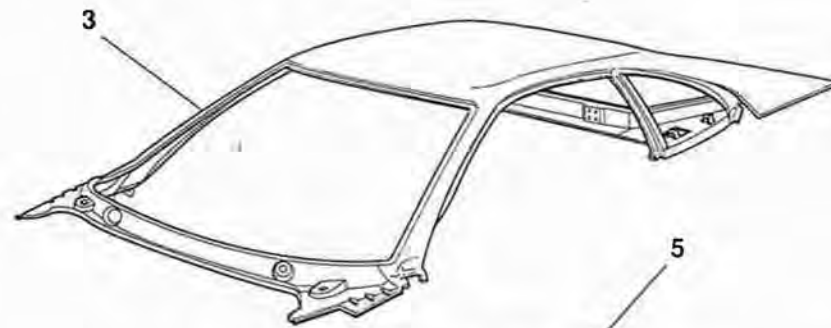
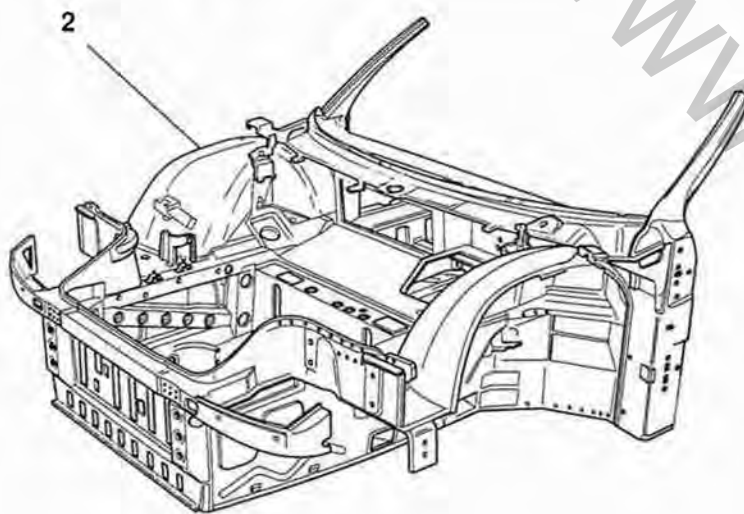
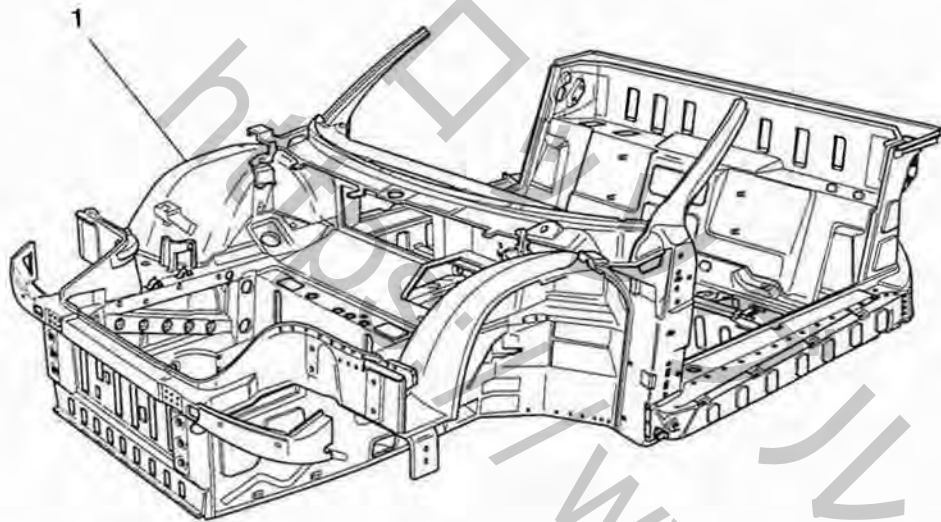
SCocca - COMPLESSIVI GENERALI
BODY - GENERAL UNITS

TAV. 100

DATA: GIUGNO '95

<i>Rif</i>	<i>Dis.N° Part.N°</i>	<i>Q.ty</i>	<i>Denominazione</i>	<i>Description</i>
-	64925200	1	SCocca COMPLETA -Vale per Spider GD senza AIR-BAG- -No per Spider AUS-	COMPLETE BODYWORK -Valid for GD Spider without AIR-BAG- -Not for AUS Spider-
-	64982800	1	SCocca COMPLETA -Vale per Spider GD con AIR-BAG- -No per Spider AUS-	COMPLETE BODYWORK -Valid for GD Spider with AIR-BAG- -Not for AUS Spider-

<i>Rif</i>	<i>Dis.N° Part.N°</i>	<i>Q.ty</i>	<i>Denominazione</i>	<i>Description</i>
-	64925300	1	SCocca COMPLETA -Vale per Spider AUS senza AIR-BAG-	COMPLETE BODYWORK -Valid for AUS Spider without AIR-BAG-
-	64982900	1	SCocca COMPLETA -Vale per Spider AUS con AIR-BAG-	COMPLETE BODYWORK -Valid for AUS Spider with AIR-BAG-
4	332100060	1	BANDELLA NERA ADESIVA	SELF-STICKING BLACK STRIPE



F355

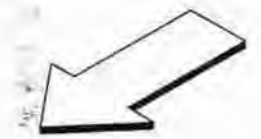
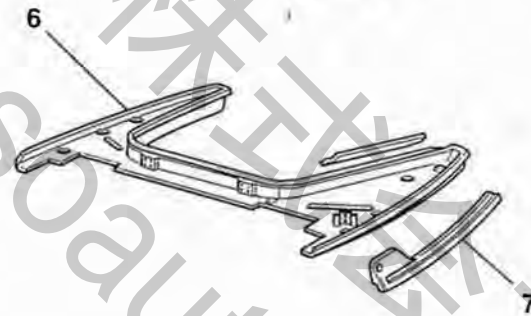
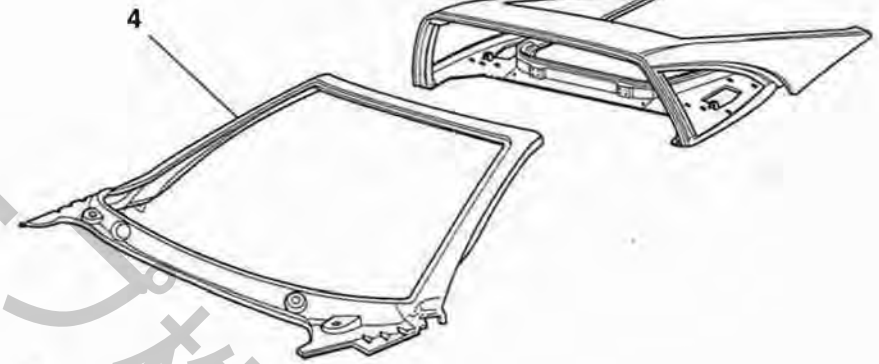
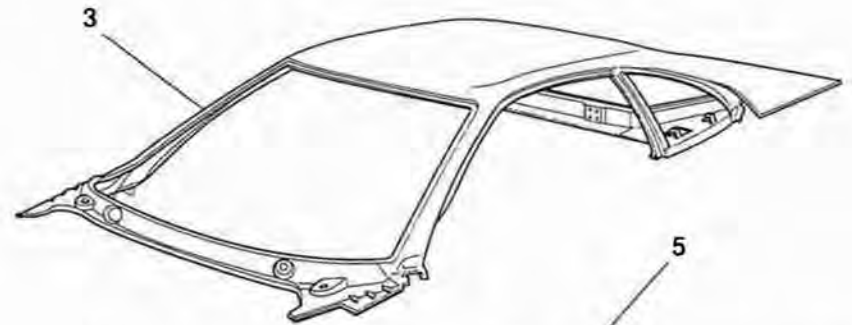
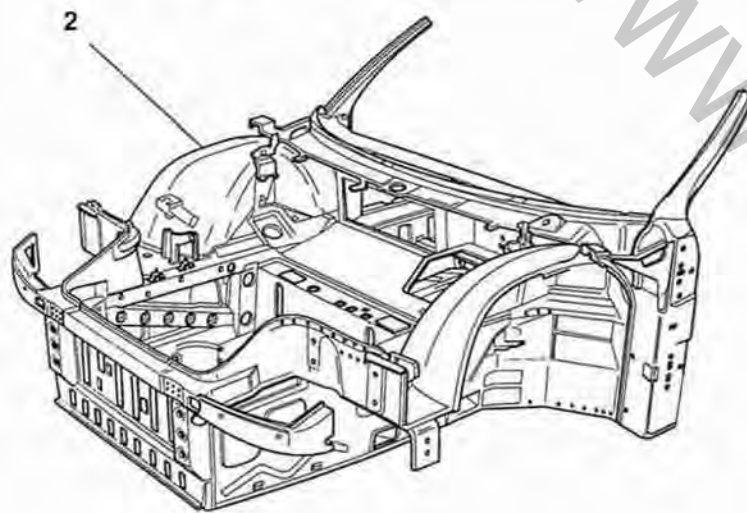
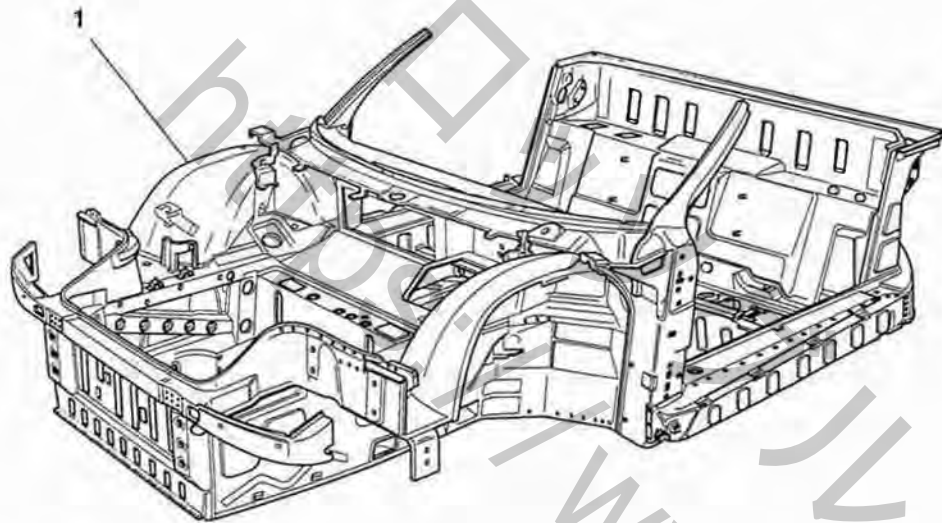
SCocca - COMPLESSIVI
BODY - UNITS

TAV. 101

DATA: GIUGNO '95

Rif	Dis.N° Part.N°	Q.ty	Denominazione	Description
1	64538400	1	TELAIO COMPLETO PARTE ANT. E CENTRALE -No per vett. con AIR-BAG, GTS, Spider e GD-	FRONT AND CENTRAL PART COMPLETE FRAME -Not for cars with AIR-BAG, GTS, Spider and GD-
-	64979000	1	TELAIO COMPLETO PARTE ANT. E CENTRALE -Vale per vett. con AIR-BAG- -No per CDN, GTS, Spider e GD-	FRONT AND CENTRAL PART COMPLETE FRAME -Valid for cars with AIR-BAG- -Not for CDN, GTS, Spider and GD-
-	64979100	1	TELAIO COMPLETO PARTE ANT. E CENTRALE -Vale per GTS senza AIR-BAG- -No per GD-	FRONT AND CENTRAL PART COMPLETE FRAME -Valid for GTS without AIR-BAG- -Not for GD-
-	64979200	1	TELAIO COMPLETO PARTE ANT. E CENTRALE -Vale per GTS con AIR-BAG- -No per CDN e GD-	FRONT AND CENTRAL PART COMPLETE FRAME -Valid for GTS with AIR-BAG- -Not for CDN and GD-
-	64924800	1	TELAIO COMPLETO PARTE ANT. E CENTRALE -Vale per Spider senza AIR-BAG- -No per GD-	FRONT AND CENTRAL PART COMPLETE FRAME -Valid for Spider without AIR-BAG- -Not for GD-
-	64979700	1	TELAIO COMPLETO PARTE ANT. E CENTRALE -Vale per Spider con AIR-BAG- -No per CDN e GD-	FRONT AND CENTRAL PART COMPLETE FRAME -Valid for Spider with AIR-BAG- -Not for CDN and GD-
-	64979900	1	TELAIO COMPLETO PARTE ANT. E CENTRALE -Vale per BERLINETTA CDN-	FRONT AND CENTRAL PART COMPLETE FRAME -Valid for CDN BERLINETTA-
-	64980000	1	TELAIO COMPLETO PARTE ANT. E CENTRALE -Vale per GTS CDN-	FRONT AND CENTRAL PART COMPLETE FRAME -Valid for CDN GTS-
-	64979800	1	TELAIO COMPLETO PARTE ANT. E CENTRALE -Vale per Spider CDN-	FRONT AND CENTRAL PART COMPLETE FRAME -Valid for CDN Spider-
-	64924000	1	TELAIO COMPLETO PARTE ANT. E CENTRALE -Vale per BERLINETTA GD senza AIR-BAG-	FRONT AND CENTRAL PART COMPLETE FRAME -Valid for GD BERLINETTA without AIR-BAG-
-	64979300	1	TELAIO COMPLETO PARTE ANT. E CENTRALE -Vale per BERLINETTA GD con AIR-BAG-	FRONT AND CENTRAL PART COMPLETE FRAME -Valid for GD BERLINETTA with AIR-BAG-

Rif	Dis.N° Part.N°	Q.ty	Denominazione	Description
-	64979500	1	TELAIO COMPLETO PARTE ANT. E CENTRALE -Vale per GTS GD senza AIR-BAG-	FRONT AND CENTRAL PART COMPLETE FRAME -Valid for GD GTS without AIR-BAG-
-	64979600	1	TELAIO COMPLETO PARTE ANT. E CENTRALE -Vale per GTS GD con AIR-BAG-	FRONT AND CENTRAL PART COMPLETE FRAME -Valid for GD GTS with AIR-BAG-
-	64924900	1	TELAIO COMPLETO PARTE ANT. E CENTRALE -Vale per Spider GD senza AIR-BAG-	FRONT AND CENTRAL PART COMPLETE FRAME -Valid for GD Spider without AIR-BAG-
-	64925000	1	TELAIO COMPLETO PARTE ANT. E CENTRALE -Vale per Spider GD con AIR-BAG-	FRONT AND CENTRAL PART COMPLETE FRAME -Valid for GD Spider with AIR-BAG-
2	64965300	1	TELAIO COMPLETO PARTE ANT. senza AIR-BAG- -No per GD-	FRONT PART COMPLETE FRAME -Valid for BERLINETTA without AIR-BAG- -Not for GD-
-	64965400	1	TELAIO COMPLETO PARTE ANT. con AIR-BAG- -No per GD-	FRONT PART COMPLETE FRAME -Valid for BERLINETTA with AIR-BAG- -Not for GD-
-	64965900	1	TELAIO COMPLETO PARTE ANT. senza AIR-BAG-	FRONT PART COMPLETE FRAME -Valid for GD BERLINETTA without AIR-BAG-
-	64966000	1	TELAIO COMPLETO PARTE ANT. con AIR-BAG-	FRONT PART COMPLETE FRAME -Valid for GD BERLINETTA with AIR-BAG-
-	64966500	1	TELAIO COMPLETO PARTE ANT. -Vale per BERLINETTA CDN-	FRONT PART COMPLETE FRAME -Valid for CDN BERLINETTA-
-	64965500	1	TELAIO COMPLETO PARTE ANT. -Vale per GTS senza AIR-BAG- -No per GD-	FRONT PART COMPLETE FRAME -Valid for GTS without AIR-BAG- -Not for GD-
-	64965600	1	TELAIO COMPLETO PARTE ANT. -Vale per GTS con AIR-BAG- -No per GD-	FRONT PART COMPLETE FRAME -Valid for GTS with AIR-BAG- -Not for GD-
-	64966100	1	TELAIO COMPLETO PARTE ANT. -Vale per GTS GD senza AIR-BAG-	FRONT PART COMPLETE FRAME -Valid for GD GTS without AIR-BAG-
-	64966200	1	TELAIO COMPLETO PARTE ANT. -Vale per GTS GD con AIR-BAG-	FRONT PART COMPLETE FRAME -Valid for GD GTS with AIR-BAG-
-	64966600	1	TELAIO COMPLETO PARTE ANT. -Vale per GTS CDN-	FRONT PART COMPLETE FRAME -Valid for CDN GTS-



F355

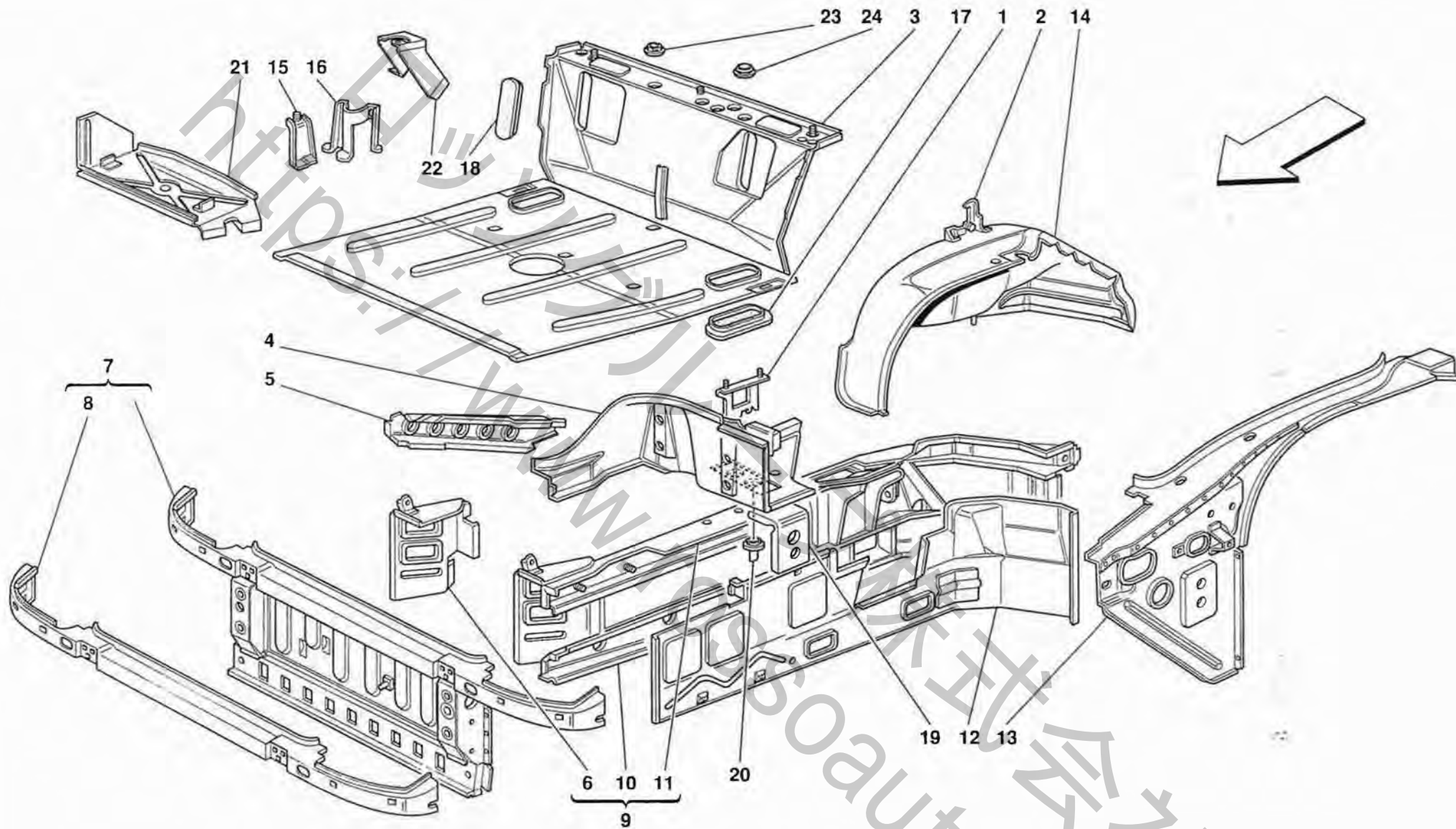
SCocca - COMPLESSIVI

BODY - UNITS

TAV. 101

DATA: GIUGNO '95

<i>Rif</i>	<i>Dis.N° Part.N°</i>	<i>Q.ty</i>	<i>Denominazione</i>	<i>Description</i>	<i>Rif</i>	<i>Dis.N° Part.N°</i>	<i>Q.ty</i>	<i>Denominazione</i>	<i>Description</i>
-	64965700	1	TELAIO COMPLETO PARTE ANT. -Vale per Spider senza AIR-BAG- -No per GD-	FRONT PART COMPLETE FRAME -Valid for Spider without AIR-BAG- -Not for GD-	4	62111600	1	PADIGLIONE COMPLETO PARTE ANT. -Vale per GTS- -No per GD-	FRONT PART COMPLETE ROOF -Valid for GTS- -Not for GD-
-	64965800	1	TELAIO COMPLETO PARTE ANT. -Vale per Spider con AIR-BAG- -No per GD-	FRONT PART COMPLETE FRAME -Valid for Spider with AIR-BAG- -Not for GD-	-	62163200	1	PADIGLIONE COMPLETO PARTE ANT. -Vale per GTS GD- -Valid for GD GTS-	FRONT PART COMPLETE ROOF -Valid for GD GTS-
-	64966300	1	TELAIO COMPLETO PARTE ANT. -Vale per Spider GD senza AIR-BAG-	FRONT PART COMPLETE FRAME -Valid for GD Spider without AIR-BAG-	5	64383500	1	PADIGLIONE COMPLETO PARTE POST. -Vale per GTS- -Valid for GTS-	REAR PART COMPLETE ROOF -Valid for GTS-
-	64966400	1	TELAIO COMPLETO PARTE ANT. -Vale per Spider GD con AIR-BAG-	FRONT PART COMPLETE FRAME -Valid for GD Spider with AIR-BAG-	6	64522200	1	RIPIANO SOTTOLUNOTTO -Vale per Spider- -Valid for Spider-	REAR UNDER WINDOW PANEL -Valid for Spider-
-	64966700	1	TELAIO COMPLETO PARTE ANT. -Vale per Spider CDN-	FRONT PART COMPLETE FRAME -Valid for CDN Spider-	7	64408000	1	ANGOLARE SX. RITEGNO CAPOTE -Vale per Spider- -Valid for Spider-	TOP RETAINING L.H. ANGLE PIECE -Valid for Spider-
3	64243600	1	COMPLESSIVO PADIGLIONE -Vale per BERLINETTA- -No per GD-	WHOLE ROOF -Valid for BERLINETTA- -Not for GD-	-	64407900	1	ANGOLARE DX. RITEGNO CAPOTE -Vale per Spider- -Valid for Spider-	TOP RETAINING R.H. ANGLE PIECE -Valid for Spider-
-	64461400	1	COMPLESSIVO PADIGLIONE -Vale per BERLINETTA GD-	WHOLE ROOF -Valid for GD BERLINETTA-					



F355

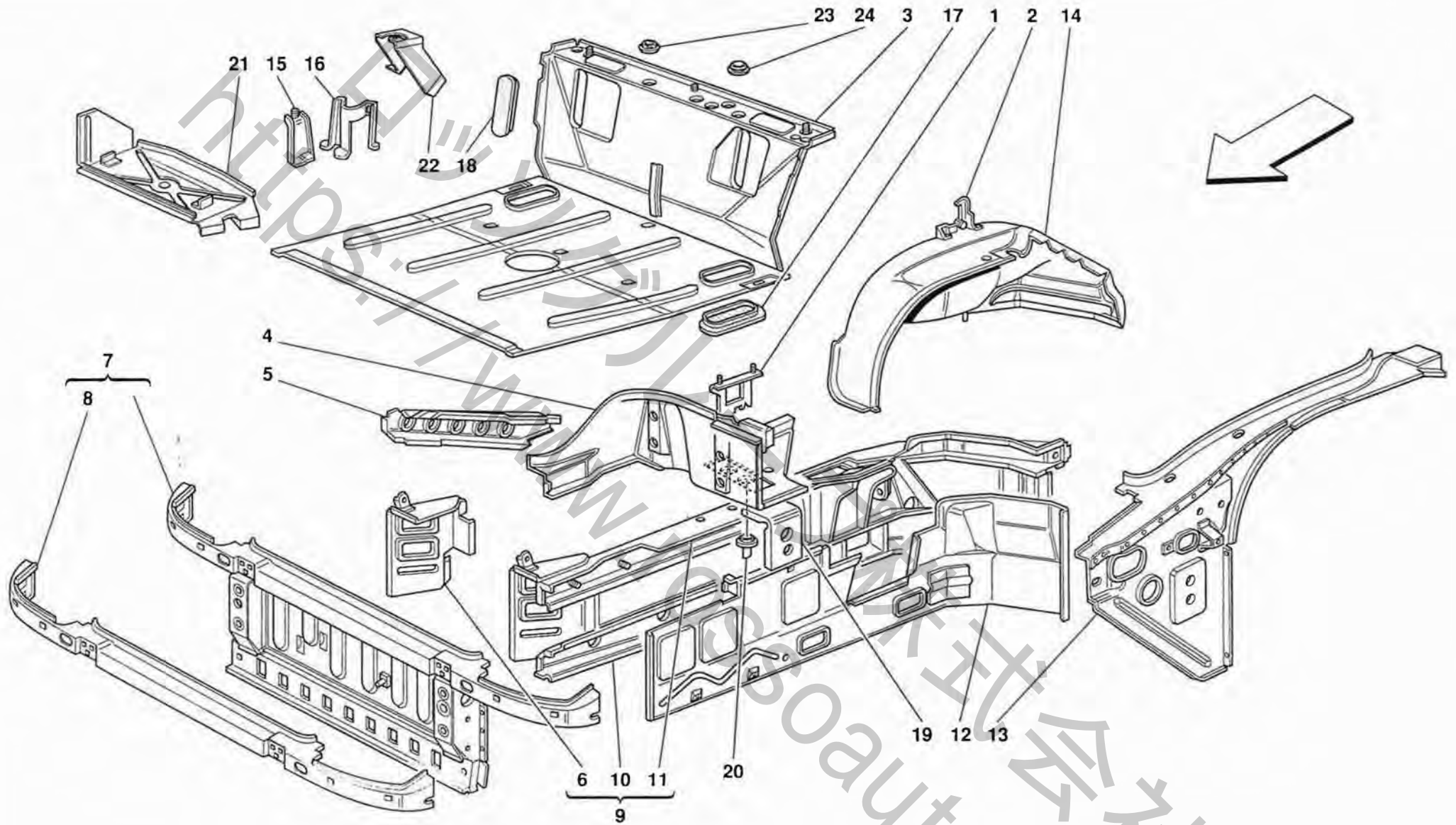
STRUTTURE PARTE ANTERIORE
FRONT PART STRUCTURES

TAV. 102

DATA: GIUGNO '95

Rif	Dis.N° Part.N°	Q.ty	Denominazione	Description
1	62166000	1	STAFFA FISS. CENTRALINA	CONTROL UNIT FIXING BRACKET
2	62068300	1	STAFFA SX. SERRATURA COFANO ANT.	L.H. BRACKET FOR FRONT HOOD LOCK
-	62068200	1	STAFFA DX. SERRATURA COFANO ANT.	R.H. BRACKET FOR FRONT HOOD LOCK
3	64325900	1	PAVIMENTO VANO BAULE COMPL. -No per vett. con AIR-BAG- -No per GD-	COMPLETE TRUNK BOTTOM -Not for AIR-BAG cars- -Not for GD-
-	64537800	1	PAVIMENTO VANO BAULE COMPL. -Vale per vett. con AIR-BAG- -No per GD-	COMPLETE TRUNK BOTTOM -Valid for AIR-BAG cars- -Not for GD-
-	64437100	1	PAVIMENTO VANO BAULE COMPL. -Vale per GD-	COMPLETE TRUNK BOTTOM -Valid for GD-
4	63537200	1	OSSATURA CONTORNO FARO SX. -Completo di staffa 1-	L.H. LIGHT AROUND FRAMEWORK -Completed with bracket 1-
-	64299200	1	OSSATURA CONTORNO FARO DX. -Completo di staffe 15 e 16-	R.H. LIGHT AROUND FRAMEWORK -Completed with brackets 15 and 16-
5	63597700	1	DIAGONALE RINFORZO STRUTTURA ANT. LATERALE SX.	REINFORCEMENT FOR FRONT L.H. SIDE STRUCTURE
-	63597600	1	DIAGONALE RINFORZO STRUTTURA ANT. LATERALE DX.	REINFORCEMENT FOR FRONT R.H. SIDE STRUCTURE
6	62096300	1	RINFORZO ANT. STRUTTURA LATERALE SX. -No per CDN-	FRONT REINFORCEMENT FOR L.H. SIDE STRUCTURE -Not for CDN-
-	63343800	1	RINFORZO ANT. STRUTTURA LATERALE SX. -Vale per CDN-	FRONT REINFORCEMENT FOR L.H. SIDE STRUCTURE -Valid for CDN-
-	62096200	1	RINFORZO ANT. STRUTTURA LATERALE DX. -No per CDN-	FRONT REINFORCEMENT FOR R.H. SIDE STRUCTURE -Not for CDN-
-	63343700	1	RINFORZO ANT. STRUTTURA LATERALE DX. -Vale per CDN-	FRONT REINFORCEMENT FOR R.H. SIDE STRUCTURE -Valid for CDN-
7	64312800	1	OSSATURA ANT. COMPLETA -No per CDN-	COMPLETE FRONT MOULDING -Not for CDN-
-	64513800	1	OSSATURA ANT. COMPLETA -Vale per CDN-	COMPLETE FRONT MOULDING -Valid for CDN-
8	70000611	1	TRAVERSA SUPERIORE OSSATURA ANT.	UPPER CROSS MEMBER FOR FRONT FRAMEWORK
9	64043100	1	COMPLESSIVO STRUTTURA ANT. LATERALE SX. -No per CDN e GD-	L.H. FRONT LATERAL STRUCTURE ASSEMBLY -Not for CDN and GD-

Rif	Dis.N° Part.N°	Q.ty	Denominazione	Description
-	64514300	1	COMPLESSIVO STRUTTURA ANT. LATERALE SX. -Vale per CDN-	L.H. FRONT LATERAL STRUCTURE ASSEMBLY -Valid for CDN-
-	64477400	1	COMPLESSIVO STRUTTURA ANT. LATERALE SX. -Vale per GD-	L.H. FRONT LATERAL STRUCTURE ASSEMBLY -Valid for GD-
-	64043000	1	COMPLESSIVO STRUTTURA ANT. LATERALE DX. -No per CDN e GD-	L.H. FRONT LATERAL STRUCTURE ASSEMBLY -Not for CDN and GD-
-	64514200	1	COMPLESSIVO STRUTTURA ANT. LATERALE DX. -Vale per CDN-	L.H. FRONT LATERAL STRUCTURE ASSEMBLY -Valid for CDN-
-	64435900	1	COMPLESSIVO STRUTTURA ANT. LATERALE DX. -Vale per GD-	L.H. FRONT LATERAL STRUCTURE ASSEMBLY -Valid for GD-
10	62083100	1	PUNTONE INFERIORE SX. -Privo di rinforzi-	L.H. LOWER SPRAG -Without reinforcements-
-	62083000	1	PUNTONE INFERIORE DX. -Privo di rinforzi-	R.H. LOWER SPRAG -Without reinforcements-
11	63597800	1	PUNTONE SUPERIORE SX. -No per CDN-	L.H. UPPER SPRAG -Not for CDN-
-	64514100	1	PUNTONE SUPERIORE SX. -Vale per CDN-	L.H. UPPER SPRAG -Valid for CDN-
-	63597400	1	PUNTONE SUPERIORE DX. -No per CDN-	R.H. UPPER SPRAG -Not for CDN-
-	64514000	1	PUNTONE SUPERIORE DX. -Vale per CDN-	R.H. UPPER SPRAG -Valid for CDN-
12	63953900	1	PARETE LATERALE SX. PUNTONI	SPRAGS L.H. SIDE WALL
-	63954000	1	PARETE LATERALE DX. PUNTONI	SPRAGS R.H. SIDE WALL
13	64308300	1	PARETE SOSTEGNO PARAFANGO SX.	R.H. FENDER SUPPORT WALL
-	63381900	1	PARETE SOSTEGNO PARAFANGO DX.	R.H. FENDER SUPPORT WALL
14	63589800	1	PASSARUOTA ANTERIORE SX. -No per GD-	L.H. FRONT WHEELHOUSE -Not for GD-
-	63590200	1	PASSARUOTA ANTERIORE SX. -Vale per GD-	L.H. FRONT WHEELHOUSE -Valid for GD-
-	63589700	1	PASSARUOTA ANTERIORE DX. -No per GD-	R.H. FRONT WHEELHOUSE -Not for GD-
-	63590100	1	PASSARUOTA ANTERIORE DX. -Vale per GD-	R.H. FRONT WHEELHOUSE -Valid for GD-



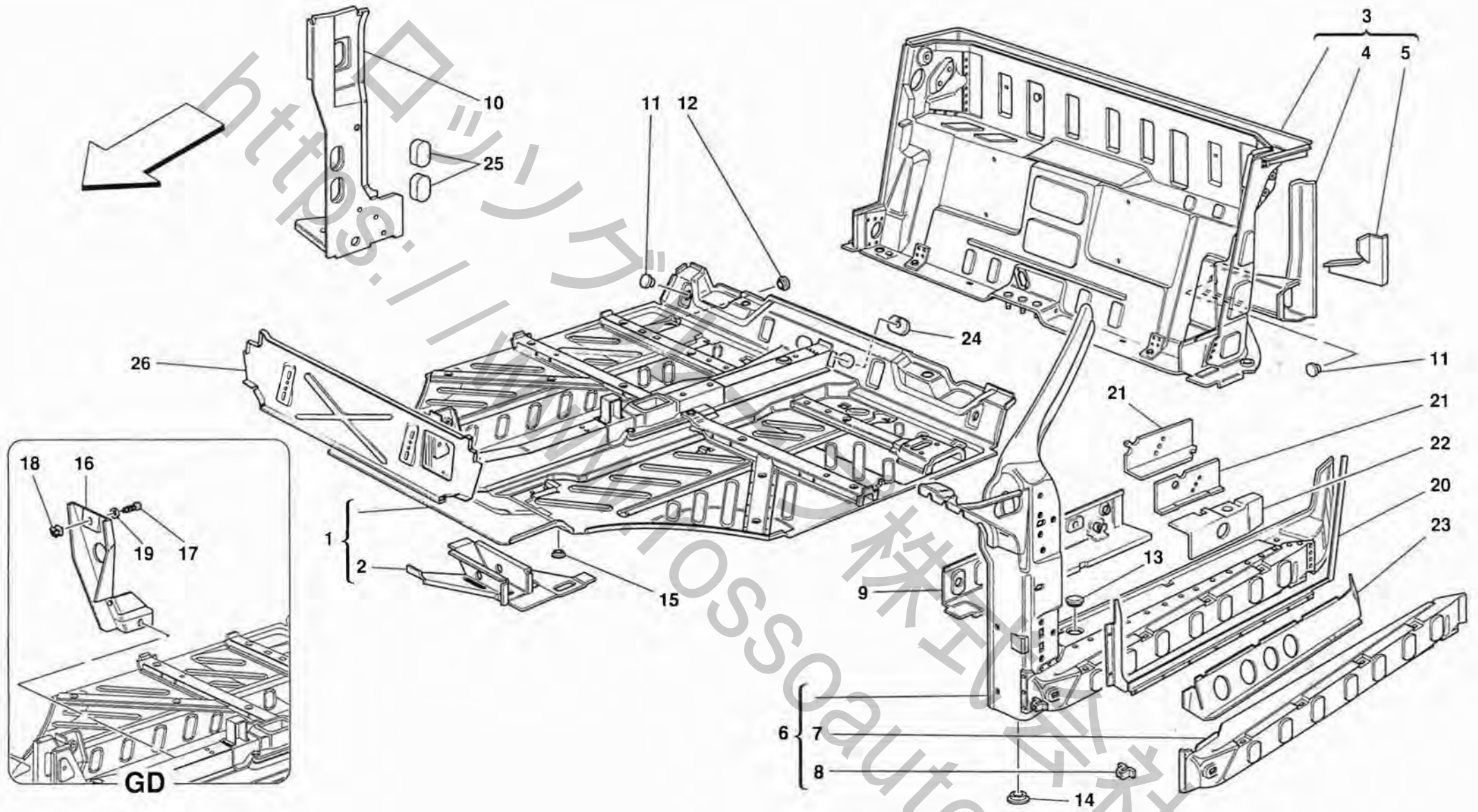
F355

STRUTTURE PARTE ANTERIORE
FRONT PART STRUCTURES

TAV. 102

DATA: GIUGNO '95

<i>Rif</i>	<i>Dis.N° Part.N°</i>	<i>Q.ty</i>	<i>Denominazione</i>	<i>Description</i>	<i>Rif</i>	<i>Dis.N° Part.N°</i>	<i>Q.ty</i>	<i>Denominazione</i>	<i>Description</i>
15	62165400	1	STAFFA FISS. BORSA LAVACRISTALLO	WINDSHIELD WASHER BAG FIXING BRACKET	20	63013000	1	TAPPO DX.	R.H. PLUG
16	62165600	1	STAFFA FISS. FILTRO DISIDRATATORE	DEHYDRATOR FILTER FIXING BRACKET	-	14507187	1	TAPPO SX.	L.H. PLUG
17	62678500	2	TAPPO	PLUG	21	64043800	1	SUPPORTO BATTERIA	BATTERY SUPPORT
18	62921200	2	TAPPO	PLUG	22	64292100	1	STAFFA FISS. INTERRUTTORE STACCABATTERIA	BATTERY CUT-OUT SWITCH FIXING BRACKET
19	62121200	2	STAFFA FISS. PARAURTI	BUMPER FIXING BRACKET	23	63505900	1	TAPPO	PLUG
					24	14507987	2	TAPPO	PLUG



F355

STRUTTURE PARTE CENTRALE
CENTRAL PART STRUCTURES

TAV. 103

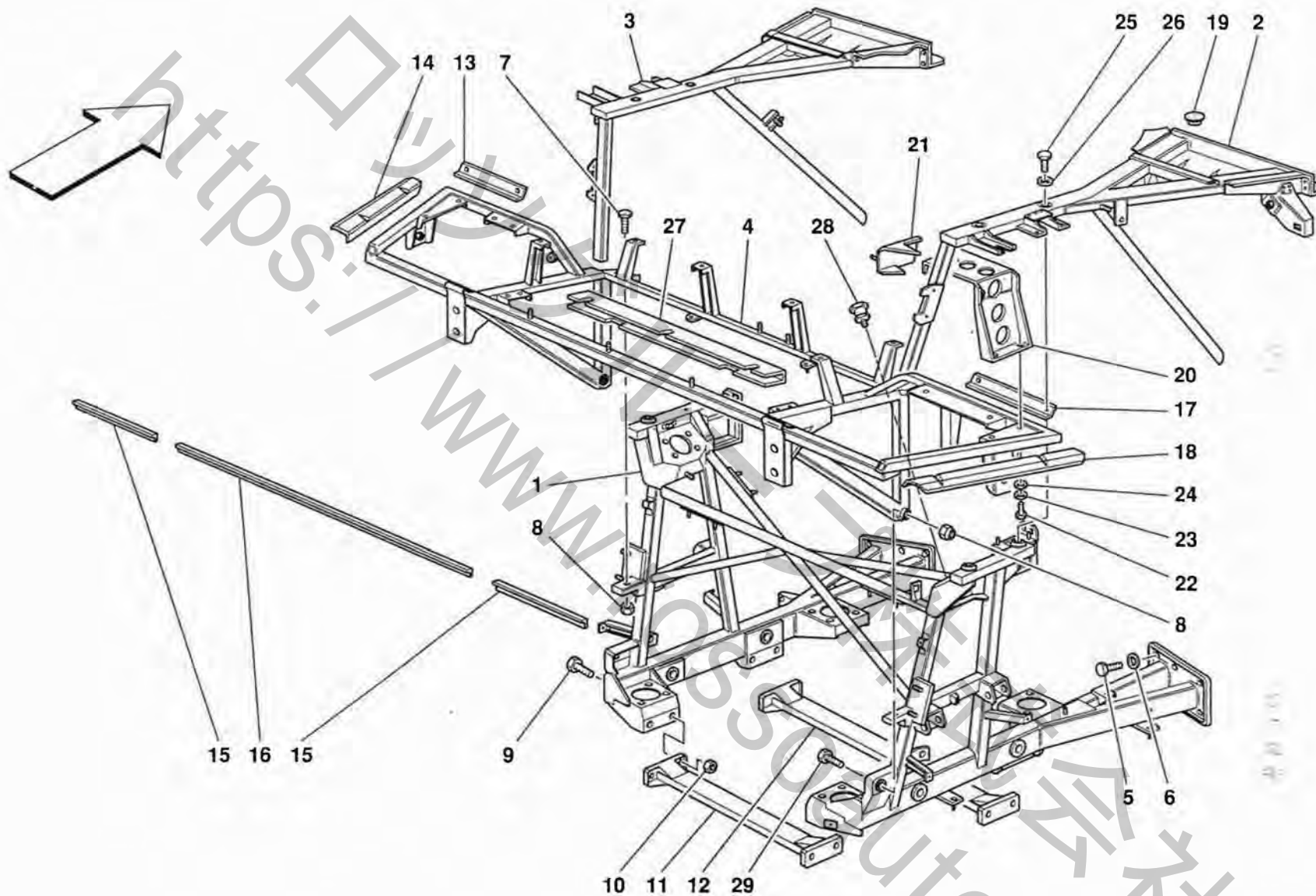
DATA: GIUGNO '95

Rif	Dis.N° Part.N°	Q.ty	Denominazione	Description
1	64538500	1	PAVIMENTO CENTRALE COMPL. -No per vett. con AIR-BAG- -No per Spider-No per GD-	COMPLETE CENTRAL FLOOR -Not for cars with AIR-BAG- -Not for Spider-Not for GD-
1	64969300	1	PAVIMENTO CENTRALE COMPL. -No per vett. con AIR-BAG- -No per Spider-No per GD-	COMPLETE CENTRAL FLOOR -Not for cars with AIR-BAG- -Not for Spider-Not for GD-
1	64923500	1	PAVIMENTO CENTRALE COMPL. -Vale per vett. Spider senza AIR-BAG- -No per GD-	COMPLETE CENTRAL FLOOR -Valid for cars Spider without AIR-BAG- -Not for GD-
-	64969500	1	PAVIMENTO CENTRALE COMPL. -Vale per vett. Spider con AIR-BAG- -No per GD-	COMPLETE CENTRAL FLOOR -Valid for cars Spider with AIR-BAG- -Not for GD-
-	64732000	1	PAVIMENTO CENTRALE COMPL. -Vale per GD senza AIR-BAG- -No per Spider-	COMPLETE CENTRAL FLOOR -Valid for GD without AIR-BAG- -Not for Spider-
-	64969400	1	PAVIMENTO CENTRALE COMPL. -Vale per GD con AIR-BAG- -No per Spider-	COMPLETE CENTRAL FLOOR -Valid for GD with AIR-BAG- -Not for Spider-
-	64969600	1	PAVIMENTO CENTRALE COMPL. -Vale per GD Spider senza AIR-BAG-	COMPLETE CENTRAL FLOOR -Valid for GD Spider without AIR-BAG-
-	64969700	1	PAVIMENTO CENTRALE COMPL. -Vale per GD Spider con AIR-BAG-	COMPLETE CENTRAL FLOOR -Valid for GD Spider with AIR-BAG-
2	62164100	1	PIASTRA CON RINFORZO SX.	L.H. PLATE WITH REINFORCEMENT
-	62164000	1	PIASTRA CON RINFORZO DX.	R.H. PLATE WITH REINFORCEMENT
3	63585100	1	OSSATURA POST. COMPLETA -Vale per vett. con monopompa benzina- -No per Spider-No per GD-	COMPLETE REAR FRAMEWORK -Valid for cars with single fuel pump- -Not for Spider-Not for GD-
-	64733000	1	OSSATURA POST. COMPLETA -Vale per per vett. con monopompa benzina- -No per Spider-No per GD-	COMPLETE REAR FRAMEWORK -Valid for for cars with single fuel pump- -Not for Spider-Not for GD-
-	64516200	1	OSSATURA POST. COMPLETA -Vale per Spider con doppia pompa benzina- -No per GD-	COMPLETE REAR FRAMEWORK -Valid for Spider with double fuel pump- -Not for GD-
-	64733200	1	OSSATURA POST. COMPLETA -Vale per Spider con monopompa benzina- -No per GD-	COMPLETE REAR FRAMEWORK -Valid for Spider with single fuel pump- -Not for GD-

Rif	Dis.N° Part.N°	Q.ty	Denominazione	Description
-	64436800	1	OSSATURA POST. COMPLETA -Vale per GD con doppia pompa benzina- -No per Spider-	COMPLETE REAR FRAMEWORK -Valid for GD with double fuel pump - -Not for Spider-
-	64733100	1	OSSATURA POST. COMPLETA -Vale per GD con monopompa benzina- -No per Spider-	COMPLETE REAR FRAMEWORK -Valid for GD with single fuel pump- -Not for Spider-
-	64895300	1	OSSATURA POST. COMPLETA -Vale per GD Spider-	COMPLETE REAR FRAMEWORK -Valid for GD Spider-
4	64245800	1	TRAVERSA FISS. TELAIO MOBILE -No per Spider-	MOVING FRAME FIXING CROSS MEMBER -Not for Spider-
-	64781800	1	TRAVERSA FISS. TELAIO MOBILE -Vale per Spider-	MOVING FRAME FIXING CROSS MEMBER -Valid for Spider-
5	64302200	1	STAFFA SX. RINFORZO	REINFORCEMENT L.H. BRACKET
-	64302100	1	STAFFA DX. RINFORZO	REINFORCEMENT R.H. BRACKET
6	62088600	1	OSSATURA VANO PORTA SX. -No per GTS- -Vale per GTS GD- -No per Spider-	L.H. DOOR COMPARTMENT FRAME -Not for GTS- -Valid for GD GTS- -Not for Spider-
-	64384500	1	OSSATURA VANO PORTA SX. -Vale per GTS- -No per GTS GD- -No per Spider-	L.H. DOOR COMPARTMENT FRAME -Valid for GTS- -Not for GD GTS- -Not for Spider-
-	64522500	1	OSSATURA VANO PORTA SX. -Vale per Spider-	L.H. DOOR COMPARTMENT FRAME -Valid for Spider-
-	62088500	1	OSSATURA VANO PORTA DX. -No per GTS- -Vale per GTS GD- -No per Spider-	R.H. DOOR COMPARTMENT FRAME -Not for GTS- -Valid for GD GTS- -Not for Spider-
-	64384400	1	OSSATURA VANO PORTA DX. -Vale per GTS- -No per GTS GD- -No per Spider-	R.H. DOOR COMPARTMENT FRAME -Valid for GTS- -Not for GD GTS- -Not for Spider-
-	64522400	1	OSSATURA VANO PORTA DX. -Vale per Spider-	R.H. DOOR COMPARTMENT FRAME -Valid for Spider-
7	62077400	1	RIVESTIMENTO ESTERNO LONGHERONE SX.	EXTERNAL COVERING FOR L.H. SIDE MEMBER
-	62077300	1	RIVESTIMENTO ESTERNO LONGHERONE DX.	EXTERNAL COVERING FOR R.H. SIDE MEMBER

Rif	Dis. N° Part. N°	Q.ty	Denominazione	Description
8	62055300	2	STAFFA	BRACKET
9	62182000	1	LAMIERA INTERNA LONGHERONE SX.	INTERNAL PLATE FOR L.H. SIDE MEMBER
-	62181900	1	LAMIERA INTERNA LONGHERONE DX.	INTERNAL PLATE FOR R.H. SIDE MEMBER
10	62080100	1	SCATOLATO MONTANTE DX.	R.H. PILLAR BOX-TYPE
-	62080200	1	SCATOLATO MONTANTE SX.	L.H. PILLAR BOX-TYPE
11	14506987	9	TAPPO	PLUG
12	14506587	1	TAPPO	PLUG
13	14507987	2	TAPPO	PLUG
14	14506787	4	TAPPO Ø 20	PLUG Ø 20
-	62446300	4	TAPPO Ø 30	PLUG Ø 30
15	14506587	3	TAPPO	PLUG
			-Vale per GD-	-Valid for GD-
16	64447000	1	STAFFA RINFORZO APPOGGIAPIEDI	FOOT-REST REINFORCEMENT BRACKET
			-Vale per GD-	-Valid for GD-
17	15903978	2	VITE	SCREW
			-Vale per GD-	-Valid for GD-
18	14202782	2	BLOCCETTO	BLOCK
			-Vale per GD-	-Valid for GD-
19	12638177	2	ROSETTA	WASHER
			-Vale per GD-	-Valid for GD-
20	64374200	1	ASSIEME PROFILATO SX.	L.H. STRUCTURAL SHAPE ASSEMBLY
			-No per Spider-	-Not for Spider-
-	64645400	1	ASSIEME PROFILATO SX.	L.H. STRUCTURAL SHAPE ASSEMBLY
			-Vale per Spider-	-Valid for Spider-

Rif	Dis. N° Part. N°	Q.ty	Denominazione	Description
-	64374100	1	ASSIEME PROFILATO DX.	R.H. STRUCTURAL SHAPE ASSEMBLY
			-No per Spider-	-Not for Spider-
-	64645300	1	ASSIEME PROFILATO DX.	R.H. STRUCTURAL SHAPE ASSEMBLY
			-Vale per Spider-	-Valid for Spider-
21	63011300	1	PIASTRA RINFORZO POST. SX.	L.H. REAR REINFORCEMENT PLATE
			-Vale per BERLINETTA-	-Valid for BERLINETTA-
-	64384700	1	PIASTRA RINFORZO POST. SX.	L.H. REAR REINFORCEMENT PLATE
			-Vale per GTS e Spider-	-Valid for GTS and Spider-
-	63011200	1	PIASTRA RINFORZO POST. DX.	R.H. REAR REINFORCEMENT PLATE
			-Vale per BERLINETTA-	-Valid for BERLINETTA-
-	64384600	1	PIASTRA RINFORZO POST. DX.	R.H. REAR REINFORCEMENT PLATE
			-Vale per GTS e Spider-	-Valid for GTS and Spider-
22	64384300	1	RINFORZO POST. ESTERNO SX.	L.H. OUTER REAR REINFORCEMENT
			-Vale per GTS e Spider-	-Valid for GTS and Spider-
-	64384200	1	RINFORZO POST. ESTERNO DX.	R.H. OUTER REAR REINFORCEMENT
			-Vale per GTS e Spider-	-Valid for GTS and Spider-
23	63011500	1	RINFORZO ESTERNO SX.	L.H. OUTER REINFORCEMENT
			-Vale per GTS e Spider-	-Valid for GTS and Spider-
-	63011400	1	RINFORZO ESTERNO DX.	R.H. OUTER REINFORCEMENT
			-Vale per GTS e Spider-	-Valid for GTS and Spider-
24	63566000	1	ANELLO DI TENUTA	SEAL RING
25	64463600	4	SPESSORE	THICKNESS
26	64330200	1	PARETE INFERIORE CRUSCOTTO	DASH PANEL LOWER SHIELD
			-No per GD-	-Not for GD-
-	64436600	1	PARETE INFERIORE CRUSCOTTO	DASH PANEL LOWER SHIELD
			-Vale per GD-	-Valid for GD-



F355

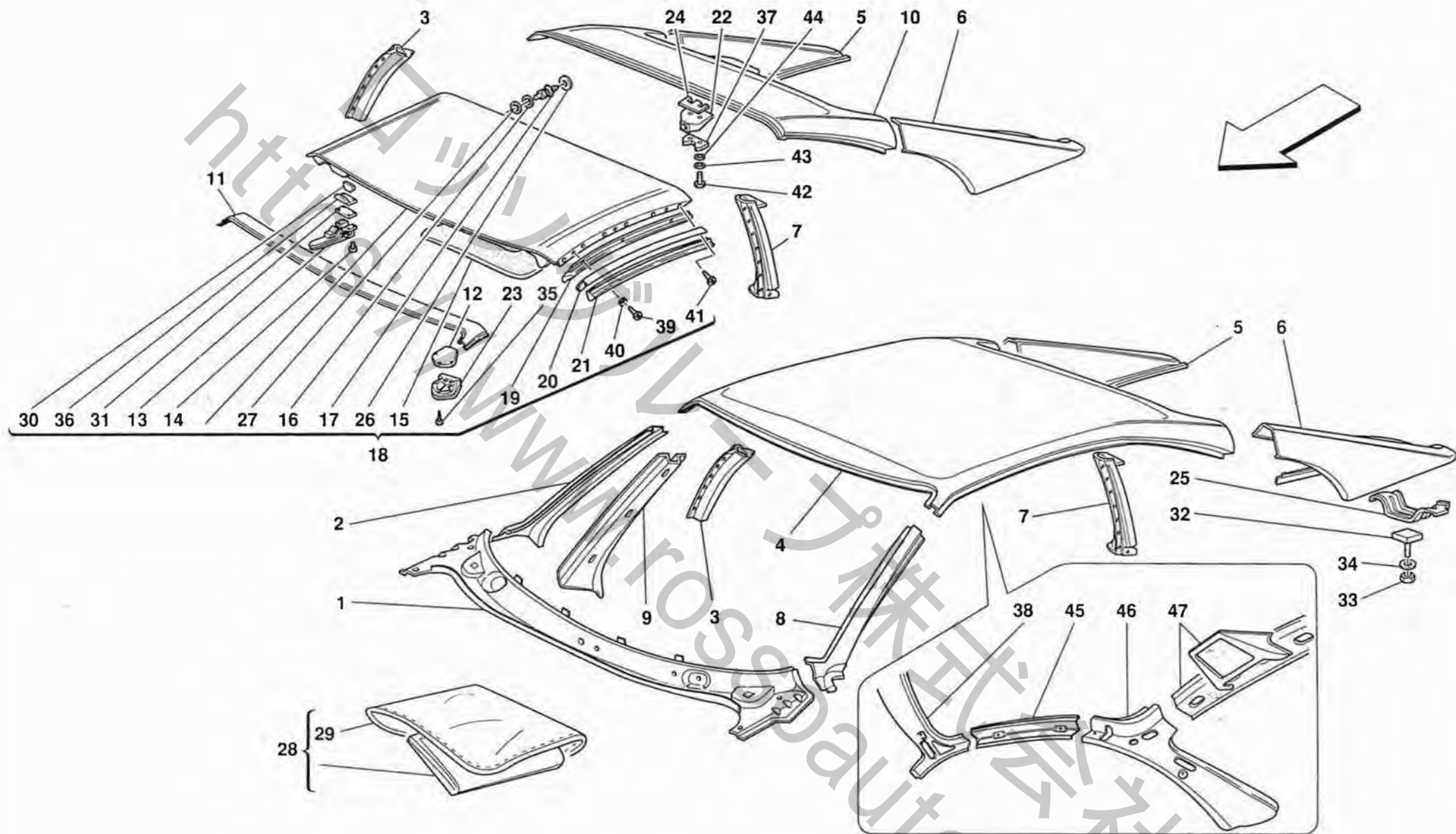
TELAIO - ELEMENTI PARTE POSTERIORE
FRAME - REAR PART ELEMENTS

TAV. 104

DATA: GIUGNO '95

Rif	Dis.N° Part.N°	Q.ty	Denominazione	Description
1	64216300	1	TELAIO MOBILE SUPPORTO MOTOPROPULSORE -No per USA, CDN, GD, CH e SA-	MOVING FRAME FOR MOTOR- PROPULSOR SUPPORT -Not for USA, CDN, GD, CH and SA-
-	64493300	1	TELAIO MOBILE SUPPORTO MOTOPROPULSORE -Vale per USA, CDN e SA-	MOVING FRAME FOR MOTOR- PROPULSOR SUPPORT -Valid for USA, CDN and SA-
-	64429500	1	TELAIO MOBILE SUPPORTO MOTOPROPULSORE -Vale per GD-	MOVING FRAME FOR MOTOR- PROPULSOR SUPPORT -Valid for GD-
-	64627600	1	TELAIO MOBILE SUPPORTO MOTOPROPULSORE -Vale per CH-	MOVING FRAME FOR MOTOR- PROPULSOR SUPPORT -Valid for CH-
* 2	64538600	1	TELAIO FISSO SUPERIORE DX. * A RICAMBIO SOLO SU SPECIFICA RICHIESTA, APPOSITAMENTE BENESTARIATA DALLA FERRARI.	R.H. UPPER FIXED FRAME * AS SPARE ONLY ON SPECIFIC REQUEST, EXPRESSELY APPROVED BY FERRARI.
3	64048200	1	TELAIO FISSO SUPERIORE SX. -No per Spider-	L.H. UPPER FIXED FRAME -Not for Spider-
-	64969100	1	TELAIO FISSO SUPERIORE SX. -Vale per Spider-	L.H. UPPER FIXED FRAME -Valid for Spider-
4	64048600	1	ASSIEME TRALICCIO SOSTEGNO PARAURTI -No per USA, CDN, CH e SA-	BUMPER SUPPORT TRESTLE ASSEMBLY -Not for USA, CDN, CH and SA-
-	64455000	1	ASSIEME TRALICCIO SOSTEGNO PARAURTI -Vale per USA e SA-	BUMPER SUPPORT TRESTLE ASSEMBLY -Valid for USA and SA-
-	64512600	1	ASSIEME TRALICCIO SOSTEGNO PARAURTI -Vale per CDN-	BUMPER SUPPORT TRESTLE ASSEMBLY -Valid for CDN-
-	64627400	1	ASSIEME TRALICCIO SOSTEGNO PARAURTI -Vale per CH-	BUMPER SUPPORT TRESTLE ASSEMBLY -Valid for CH-
5	16142021	12	VITE	SCREW
6	106854	12	ROSETTA	WASHER
7	11422021	2	VITE -No per USA, CDN, SA-	SCREW -Not for USA, CDN, SA-
-	15862134	2	VITE -Vale per USA, CDN, SA-	SCREW -Valid for USA, CDN, SA-

Rif	Dis.N° Part.N°	Q.ty	Denominazione	Description
8	150238	4	DADO	NUT
9	14331224	8	VITE	SCREW
10	142438	8	DADO	NUT
11	63948500	1	TRAVERSA SMONTABILE POST.	REAR REMOVABLE CROSS MEMBER
12	63948800	1	TRAVERSA SMONTABILE ANT.	FRONT REMOVABLE CROSS MEMBER
13	62123700	1	LAMIERINO SX. FISS. PASSARUOTA	WHEELHOUSE FIXING L.H. PLATE
14	62129000	1	LAMIERINO SX. FISS. PARAFANGO	FENDER FIXING L.H. PLATE
15	62054800	2	LAMIERINO LATERALE SUPP. RIVESTIMENTO POST.	FRONT PLATE FOR REAR SIDE COVER SUPPORT
16	62055000	1	LAMIERINO CENTRALE SUPP. RIVESTIMENTO POST.	CENTRAL PLATE FOR REAR SIDE COVER SUPPORT
17	62123700	1	LAMIERINO DX. FISS. PASSARUOTA	WHEELHOUSE FIXING R.H. PLATE
18	62128900	1	LAMIERINO DX. FISS. PARAFANGO	FENDER FIXING R.H. PLATE
19	14506787	2	TAPPO	PLUG
20	158332	2	STAFFA POST.	REAR BRACKET
21	64295700	1	STAFFA FISS. MORSETTIERA -Non piu' a ricambio- -Sostituito dal 64295600-	TERMINAL BOX FIXING BRACKET -Not as spare part now- -Replaced by 64295600-
-	64295600	1	STAFFA FISS. MORSETTIERA	TERMINAL BOX FIXING BRACKET
22	14305724	4	VITE	SCREW
23	10615474	4	ROSETTA	WASHER
24	10519424	4	ROSETTA	WASHER
25	63369800	4	VITE	SCREW
26	127497	4	ROSETTA	WASHER
27	64608000	1	MODANATURA RITEGNO TUBO -Vale fino alla vett. No. 101579-	PIPE RETAINING MOULDING -Valid till car Nr. 101579-
-	64696600	1	MODANATURA RITEGNO TUBO -Vale dalla vett. No. 101580-	PIPE RETAINING MOULDING -Valid from car Nr. 101580-
28	151856	1	MORSETTO NEGATIVO	NEGATIVE TERMINAL
29	11422021	2	VITE -No per USA, CDN e SA- -Vale fino ad esaurimento-	SCREW -Not for USA, CDN and SA- -Valid till stock exhaustion-
-	15862134	2	VITE -No per USA, CDN e SA- -Vale dopo esaurimento del 11422021-	SCREW -Not for USA, CDN and SA- -Valid after stock exhaustion of 11422021-
-	15977724	2	VITE -Vale per USA, CDN e SA-	SCREW -Valid for USA, CDN and SA-



F355

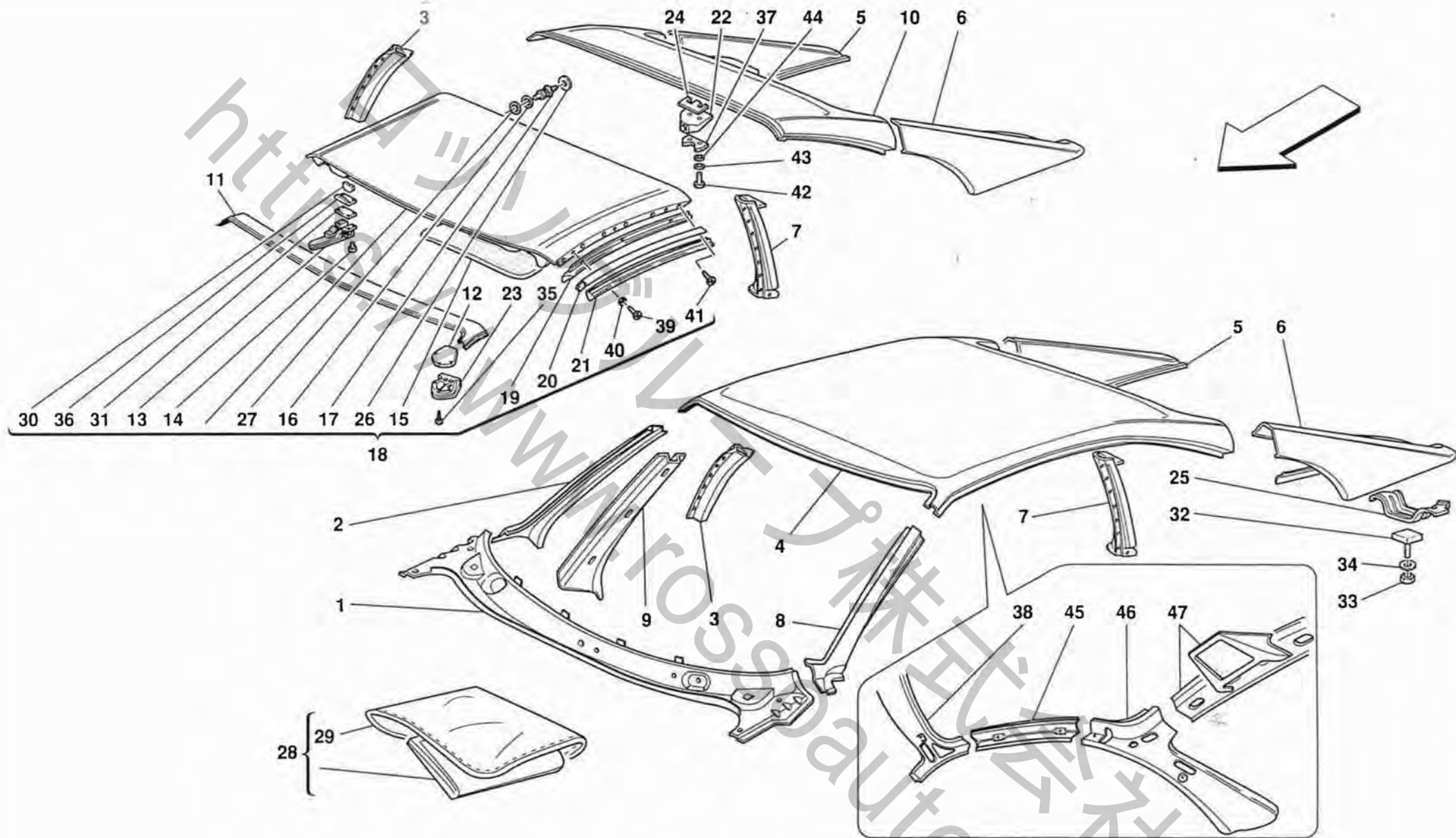
PADIGLIONE - RIVESTIMENTI ESTERNI
 ROOF - OUTER TRIMS

TAV. 105

DATA: GIUGNO '95

Rif	Dis.N° Part.N°	Q.ty	Denominazione	Description
1	62181100	1	RIVESTIMENTO SOTTOPARABREZZA	TAIL WINDSHIELD TRIM
			-No per GD-	-Not for GD-
-	62183900	1	RIVESTIMENTO SOTTOPARABREZZA	TAIL WINDSHIELD TRIM
			-Vale per GD-	-Valid for GD-
2	62059900	1	RIVESTIMENTO ESTERNO DX. MONTANTE PARABREZZA	R.H. OUTER TRIM FOR WINDSHIELD VERTICAL ROD
3	62083700	1	MONTANTE POST. DX.	R.H. REAR VERTICAL ROD
			-No per GTS-	-Not for GTS-
-	64383200	1	MONTANTE POST. DX.	R.H. REAR VERTICAL ROD
			-Vale per GTS-	-Valid for GTS-
4	63234900	1	RIVESTIMENTO PADIGLIONE	ROOF UPHOLSTERY
			-Vale per BERLINETTA-	-Valid for BERLINETTA-
5	62062100	1	RIVESTIMENTO PINNA DX.	R.H. FIN TRIM
6	62062200	1	RIVESTIMENTO PINNA SX.	L.H. FIN TRIM
7	62083800	1	MONTANTE POST. SX.	L.H. REAR VERTICAL ROD
			-No per GTS-	-Not for GTS-
-	64383300	1	MONTANTE POST. SX.	L.H. REAR VERTICAL ROD
			-Vale per GTS-	-Valid for GTS-
8	62060000	1	RIVESTIMENTO ESTERNO SX. MONTANTE PARABREZZA	L.H. OUTER TRIM FOR WINDSHIELD VERTICAL ROD
9	62080300	1	MONTANTE INTERNO DX.	R.H. INNER VERTICAL ROD
-	62080400	1	MONTANTE INTERNO SX.	L.H. INNER VERTICAL ROD
10	63236200	1	RIVESTIMENTO PADIGLIONE	ROOF UPHOLSTERY
			-Vale per GTS-	-Valid for GTS-
11	62110800	1	RIVESTIMENTO TRAVERSA SUPERIORE PARABREZZA	WINDSHIELD UPPER CROSSPIECE TRIM
			-Vale per GTS-	-Valid for GTS-
12	63238700	2	SPESSORE	THICKNESS
			-Di eventuale montaggio-	-Possible fitting-
			-Vale per GTS-	-Valid for GTS-
13	64323200	2	MANIGLIA	HANDLE
			-Vale per GTS-	-Valid for GTS-
14	14303382	8	VITE	SCREW
			-Vale per GTS-	-Valid for GTS-
15	64485200	1	RICOPRIMENTO SX.	L.H. COVER
			-Grigio-	-Grey-
			-In stoffa-	-Made of cloth-
			-Vale per GTS-	-Valid for GTS-

Rif	Dis.N° Part.N°	Q.ty	Denominazione	Description
-	64485300	1	RICOPRIMENTO SX.	L.H. COVER
			-Beige-	-Beige-
			-In stoffa-	-Made of cloth-
			-Vale per GTS-	-Valid for GTS-
-	64485400	1	RICOPRIMENTO SX.	L.H. COVER
			-Rosso-	-Red-
			-In stoffa-	-Made of cloth-
			-Vale per GTS-	-Valid for GTS-
-	64485500	1	RICOPRIMENTO SX.	L.H. COVER
			-Blu-	-Blue-
			-In stoffa-	-Made of cloth-
			-Vale per GTS-	-Valid for GTS-
-	630199..	1	RICOPRIMENTO SX.	L.H. COVER
			-In pelle-	-Made of leather-
			-Vale per GTS-	-Valid for GTS-
-	64484800	1	RICOPRIMENTO DX.	R.H. COVER
			-Grigio-	-Grey-
			-In stoffa-	-Made of cloth-
			-Vale per GTS-	-Valid for GTS-
-	64484900	1	RICOPRIMENTO DX.	R.H. COVER
			-Beige-	-Beige-
			-In stoffa-	-Made of cloth-
			-Vale per GTS-	-Valid for GTS-
-	64485000	1	RICOPRIMENTO DX.	R.H. COVER
			-Rosso-	-Red-
			-In stoffa-	-Made of cloth-
			-Vale per GTS-	-Valid for GTS-
-	64485100	1	RICOPRIMENTO DX.	R.H. COVER
			-Blu-	-Blue-
			-In stoffa-	-Made of cloth-
			-Vale per GTS-	-Valid for GTS-
-	630198..	1	RICOPRIMENTO DX.	R.H. COVER
			-In pelle-	-Made of leather-
			-Vale per GTS-	-Valid for GTS-
16	12601374	2	ROSETTA	WASHER
			-Vale per GTS-	-Valid for GTS-
17	63634500	2	PERNO	PIN
			-Vale per GTS-	-Valid for GTS-
18	643429..	1	TETTO APRIBILE COMPL.	COMPLETE SUN ROOF
			-Ricoprimento in stoffa-	-Covering made of cloth-
			-Vale per GTS-	-Valid for GTS-



F355

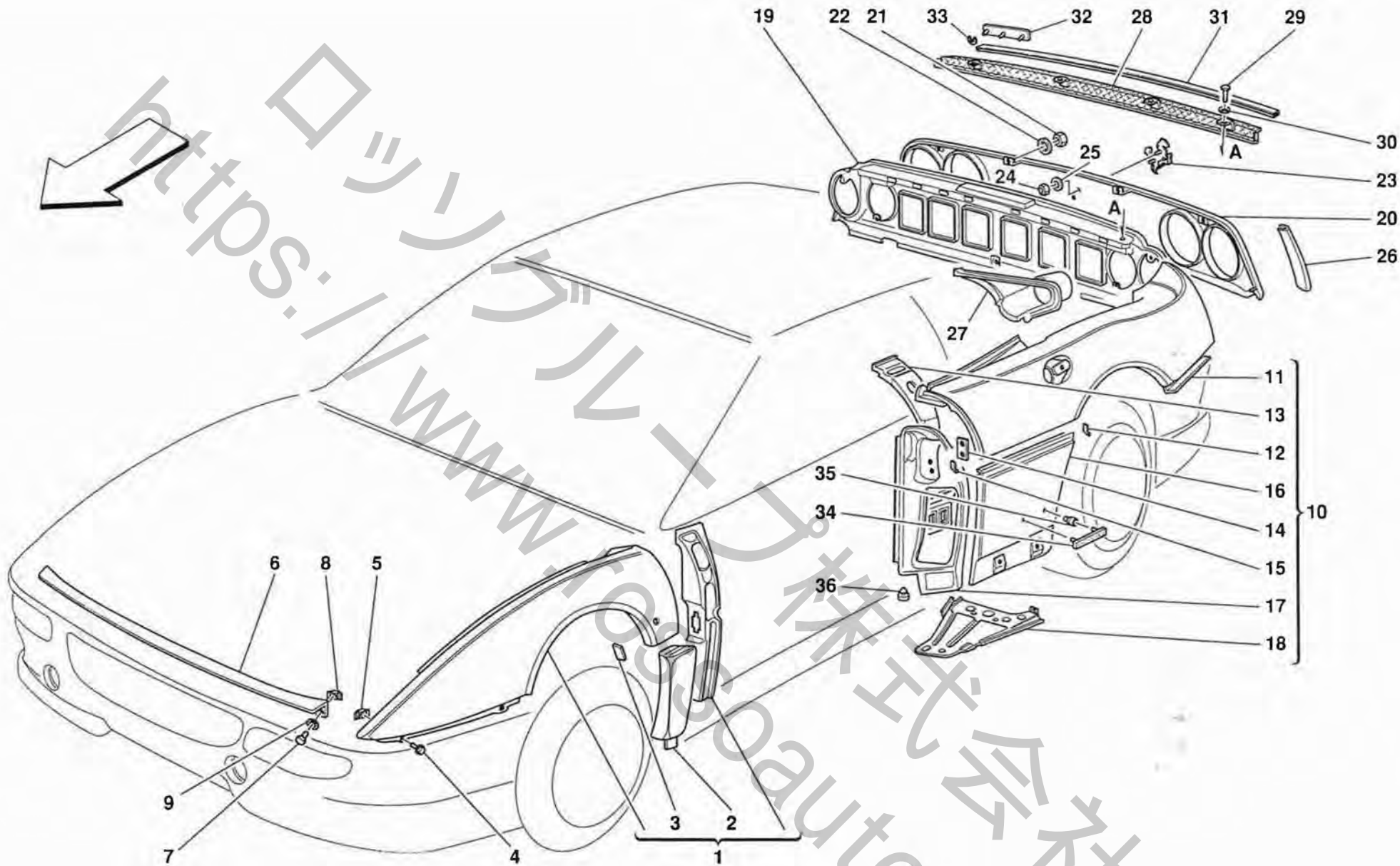
PADIGLIONE - RIVESTIMENTI ESTERNI
 ROOF - OUTER TRIMS

TAV. 105
 DATA: GIUGNO '95

Rif	Dis.N° Part.N°	Q.ty	Denominazione	Description
-	643431..	1	TETTO APRIBILE COMPL.	COMPLETE SUN ROOF -Ricoprimento in pelle- -Vale per GTS-
19	64343500	1	GOCCIOLATOIO SX.	L.H. TROUGH -Vale per GTS- -Valid for GTS-
-	64343400	1	GOCCIOLATOIO DX.	R.H. TROUGH -Vale per GTS- -Valid for GTS-
20	64517600	1	MODANATURA SX. TETTUCCIO	ROOF L.H. MOULDING -Vale per GTS- -Valid for GTS-
-	64517500	1	MODANATURA DX. TETTUCCIO	ROOF R.H. MOULDING -Vale per GTS- -Valid for GTS-
21	64343300	1	GUARNIZIONE SX.	L.H. GASKET -Vale per GTS- -Valid for GTS-
-	64343200	1	GUARNIZIONE DX.	R.H. GASKET -Vale per GTS- -Valid for GTS-
22	63634600	2	STAFFA POST. FISS. TETTO	ROOF FIXING REAR BRACKET -Vale per GTS- -Valid for GTS-
23	64333700	2	SCONTRINO ANT. BLOCCAGGIO TETTO	ROOF LOCKING FRONT STRIKER -Vale per GTS- -Valid for GTS-
24	62113200	2	SPESSORE	THICKNESS -Di eventuale montaggio- -Vale per GTS-
25	64327500	1	STAFFA SX.	L.H. BRACKET
-	64327400	1	STAFFA DX.	R.H. BRACKET
26	63635200	2	DISTANZIALE	SPACER -Vale per GTS- -Valid for GTS-
27	12642777	4	ROSETTA	WASHER -Di eventuale montaggio- -Vale per GTS-
28	63348200	1	RICOPRIMENTO TETTUCCIO COMPLETO	COMPLETE ROOF OVERLAP -Vale per GTS- -Valid for GTS-
29	63336200	1	BUSTA CONTENIMENTO COPRITETTO	ROOF COVER CONTAINING ENVELOPE -Vale per GTS- -Valid for GTS-
30	64619200	2	ANTIVIBRANTE	ANTI-VIBRATIONS -Vale per GTS- -Valid for GTS-
31	60399003	2	SPESSORE mm. 1	THICKNESS mm. 1 -Di eventuale montaggio- -Vale per GTS-

Rif	Dis.N° Part.N°	Q.ty	Denominazione	Description
-	63932300	2	SPESSORE mm. 3	THICKNESS mm. 3 -Di eventuale montaggio- -Vale per GTS-
32	64391000	2	TAMPONE SUPPORTO	BUFFER FOR SUPPORT
33	102741	2	DADO	NUT
34	12646601	2	ROSETTA	WASHER
35	13301577	6	VITE	SCREW -Vale per GTS- -Valid for GTS-
36	64328800	2	BLOCCHETTO	BLOCK -Vale per GTS- -Valid for GTS-
37	64693200	2	PIASTRINO	PLATE -Vale per GTS- -Valid for GTS-
38	64692300	1	SCATOLATO TRAVERSA SUPERIORE PARABREZZA	WINDSCREEN UPPER CROSS ARM BOX-TYPE -Vale per BERLINETTA- -Valid for BERLINETTA-
39	15687275	6	VITE	SCREW -Vale per GTS- -Valid for GTS-
40	12642878	6	ROSETTA	WASHER -Vale per GTS- -Valid for GTS-
41	15914977	12	VITE	SCREW -Vale per GTS- -Valid for GTS-
42	10902334	4	VITE	SCREW -Vale per GTS- -Valid for GTS-
43	106850	4	ROSETTA	WASHER -Vale per GTS- -Valid for GTS-
44	12647801	4	ROSETTA	WASHER -Vale per GTS- -Valid for GTS-
45	64922600	1	SCATOLATO LONGHERINA PADIGLIONE DX.	R.H. ROOF SIDE RAIL FRAME -Vale per BERLINETTA- -Valid for BERLINETTA-
-	64922700	1	SCATOLATO LONGHERINA PADIGLIONE SX.	L.H. ROOF SIDE RAIL FRAME -Vale per BERLINETTA- -Valid for BERLINETTA-
46	64922800	1	SCATOLATO PINNA DX.	R.H. FIN FRAME -Vale per BERLINETTA- -Valid for BERLINETTA-
-	64922900	1	SCATOLATO PINNA SX.	L.H. FIN FRAME -Vale per BERLINETTA- -Valid for BERLINETTA-
47	64922500	1	TRAVERSA POST. PADIGLIONE	REAR CROSS MEMBER

PER I CODICI DEI PARTICOLARI RIVESTITI IN PELLE E PER LE SERIE COMPLETE DEI TAPPETI MOQUETTE VEDI TAVOLA APPOSITA. SEE RELEVANT TABLE FOR CODES OF PARTS COVERED IN LEATHER AND FOR THE COMPLETE SERIES OF MOQUETTE CARPETS.



F355

SCocca - RIVESTIMENTI ESTERNI

BODY - OUTER TRIMS

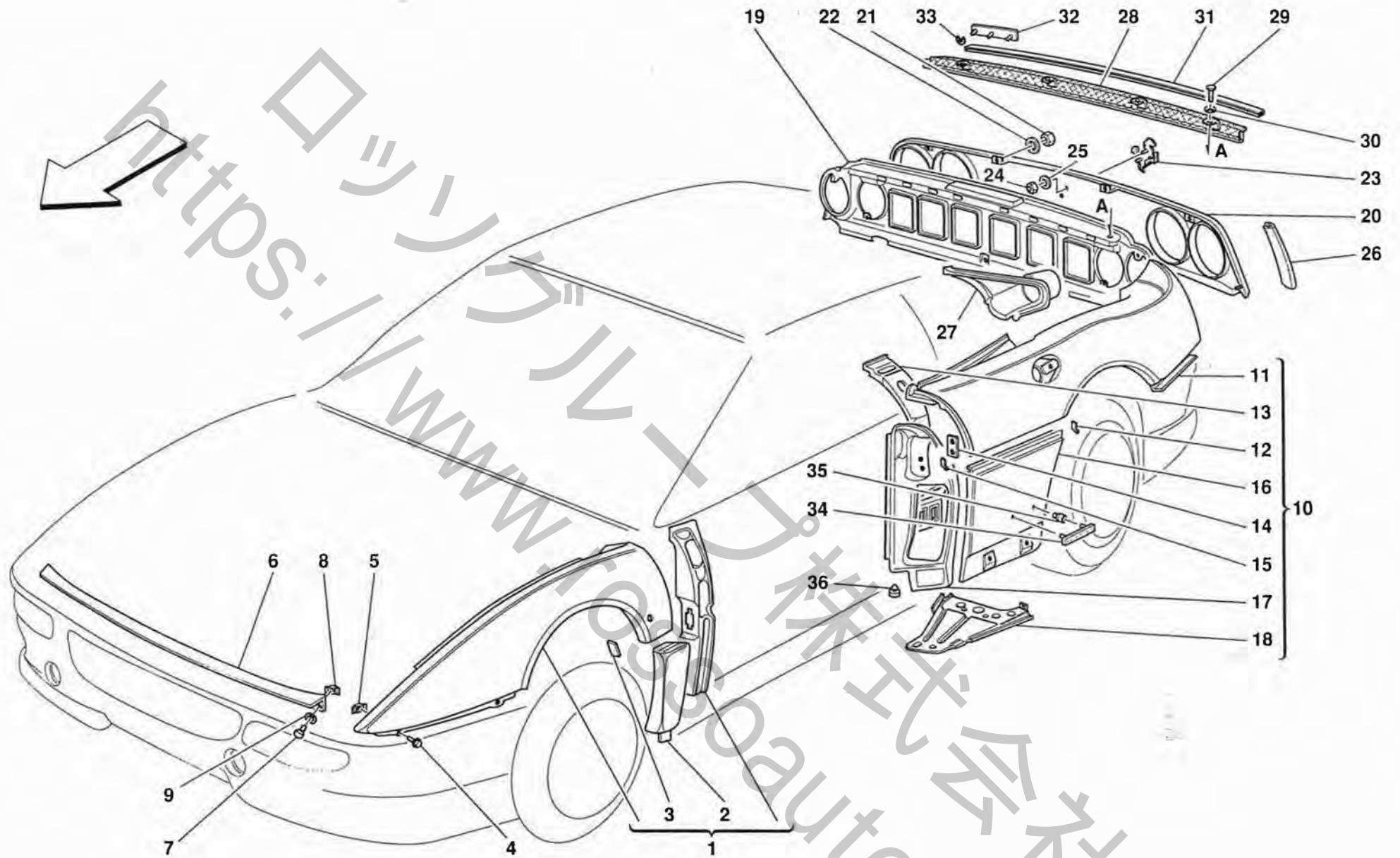
TAV. 106

DATA: GIUGNO '95

Rif	Dis. n° Part. N°	Q.ty	Denominazione	Description
1	63962200	1	PARAFANGO ANT. SX. COMPLETO -No per USA e CDN-	COMPLETE L.H. FRONT FENDER -Not for USA and CDN-
-	63962800	1	PARAFANGO ANT. SX. COMPLETO -Vale per USA e CDN-	COMPLETE L.H. FRONT FENDER -Valid for USA and CDN-
-	63962100	1	PARAFANGO ANT. DX. COMPLETO -No per USA e CDN-	COMPLETE R.H. FRONT FENDER -Not for USA and CDN-
-	63962700	1	PARAFANGO ANT. DX. COMPLETO -Vale per USA e CDN-	COMPLETE R.H. FRONT FENDER -Valid for USA and CDN-
2	62065100	1	RIVESTIMENTO ANT. INFERIORE SX.	L.H. LOWER FRONT SIDE COVERING
-	62065000	1	RIVESTIMENTO ANT. INFERIORE DX.	R.H. LOWER FRONT SIDE COVERING
3	62065200	2	RIPORTO ANT. PARAFANGO	FENDER FRONT PROTECTION
4	13836971	14	VITE	SCREW
-	13836324	2	VITE	SCREW
5	62115800	14	DADO CON GABBIA	NUT WITH CAGE
6	62059500	1	RIVESTIMENTO ANT.	FRONT SIDE COVERING
7	10977624	6	VITE	SCREW
8	14647590	6	DADO CON GABBIA	NUT WITH CAGE
9	13577701	6	ROSETTA	WASHER
10	64115700	1	PARAFANGO POST. SX. COMPLETO -No per Spider-	COMPLETE L.H. REAR FENDER -Not for Spider-
-	64522700	1	PARAFANGO POST. SX. COMPLETO -Vale per Spider- -No per USA-	COMPLETE L.H. REAR FENDER -Valid for Spider- -Not for USA-
-	64680200	1	PARAFANGO POST. SX. COMPLETO -Vale per Spider USA-	COMPLETE L.H. REAR FENDER -Valid for USA Spider-
-	64115600	1	PARAFANGO POST. DX. COMPLETO -No per Spider-	COMPLETE R.H. REAR FENDER -Not for Spider-
-	64522600	1	PARAFANGO POST. DX. COMPLETO -Vale per Spider- -No per USA-	COMPLETE R.H. REAR FENDER -Valid for Spider- -Not for USA-
-	64680100	1	PARAFANGO POST. DX. COMPLETO -Vale per Spider USA-	COMPLETE R.H. REAR FENDER -Valid for USA Spider-
11	70000842	1	RIVESTIMENTO POST. SUPERIORE SX. -No per Spider-	L.H. UPPER REAR SIDE COVERING -Not for Spider-
-	70000855	1	RIVESTIMENTO POST. SUPERIORE SX. -Vale per Spider-	L.H. UPPER REAR SIDE COVERING -Valid for Spider-

Rif	Dis. N° Part. N°	Q.ty	Denominazione	Description
-	70000841	1	RIVESTIMENTO POST. SUPERIORE DX. -No per Spider-	R.H. UPPER REAR SIDE COVERING -Not for Spider-
-	70000856	1	RIVESTIMENTO POST. SUPERIORE DX. -Vale per Spider-	R.H. UPPER REAR SIDE COVERING -Valid for Spider-
12	64109700	2	RIPORTO CENTR. PARAFANGO POST.	CENTRAL COVERING FOR REAR FENDER
13	62072800	1	RINFORZO INTERNO PARAFANGO POST. SX.	INTERNAL REINFORCEMENT FOR R.H. REAR FENDER
-	62072700	1	RINFORZO INTERNO PARAFANGO POST. DX.	INTERNAL REINFORCEMENT FOR R.H. REAR FENDER
14	62055200	2	PIASTRINA FISS. SCONTRINO	STRIKER FIXING PLATE
15	62067100	1	RIPORTO ANT. PARAFANGO POST. SX. -Non piu' a ricambio- -Sostituito dal 62067000-	FRONT SIDE COVERING FOR L.H. REAR FENDER -Not as spare part now- -Replaced by 62067000-
-	62067000	1	RIPORTO ANT. PARAFANGO POST. SX.	FRONT SIDE COVERING FOR L.H. REAR FENDER
-	62067000	1	RIPORTO ANT. PARAFANGO POST. DX.	FRONT SIDE COVERING FOR R.H. REAR FENDER
16	70000844	1	RIVESTIMENTO POST. INFERIORE SX.	L.H. LOWER REAR SIDE COVERING
-	70000843	1	RIVESTIMENTO POST. INFERIORE DX.	R.H. LOWER REAR SIDE COVERING
17	70000634	1	LESENA PORTA SX. -Completa di piastrina 14-	L.H. DOOR STRIP -Completed with plate 14-
-	70000633	1	LESENA PORTA DX. -Completa di piastrina 14-	R.H. DOOR STRIP -Completed with plate 14-
18	64247000	1	PIASTRA INFERIORE SX.	L.H. LOWER PLATE
-	64246800	1	PIASTRA INFERIORE DX.	R.H. LOWER PLATE
19	64246600	1	OSSATURA PARETE POST. COMPLETA	COMPLETE REAR WALL FRAMEWORK
20	64107900	1	RIVESTIMENTO POST.	REAR SIDE COVERING
21	15896472	15	DADO	NUT
22	12638177	15	ROSETTA	WASHER
23	63233900	1	CAVALLINO RAMPANTE	CAVALLINO RAMPANTE
24	14084011	2	DADO	NUT
25	10519224	2	ROSETTA	WASHER
26	64420400	1	GUARNIZIONE SX.	L.H. GASKET
-	64420300	1	GUARNIZIONE DX.	R.H. GASKET

https://www.technik.com



F355

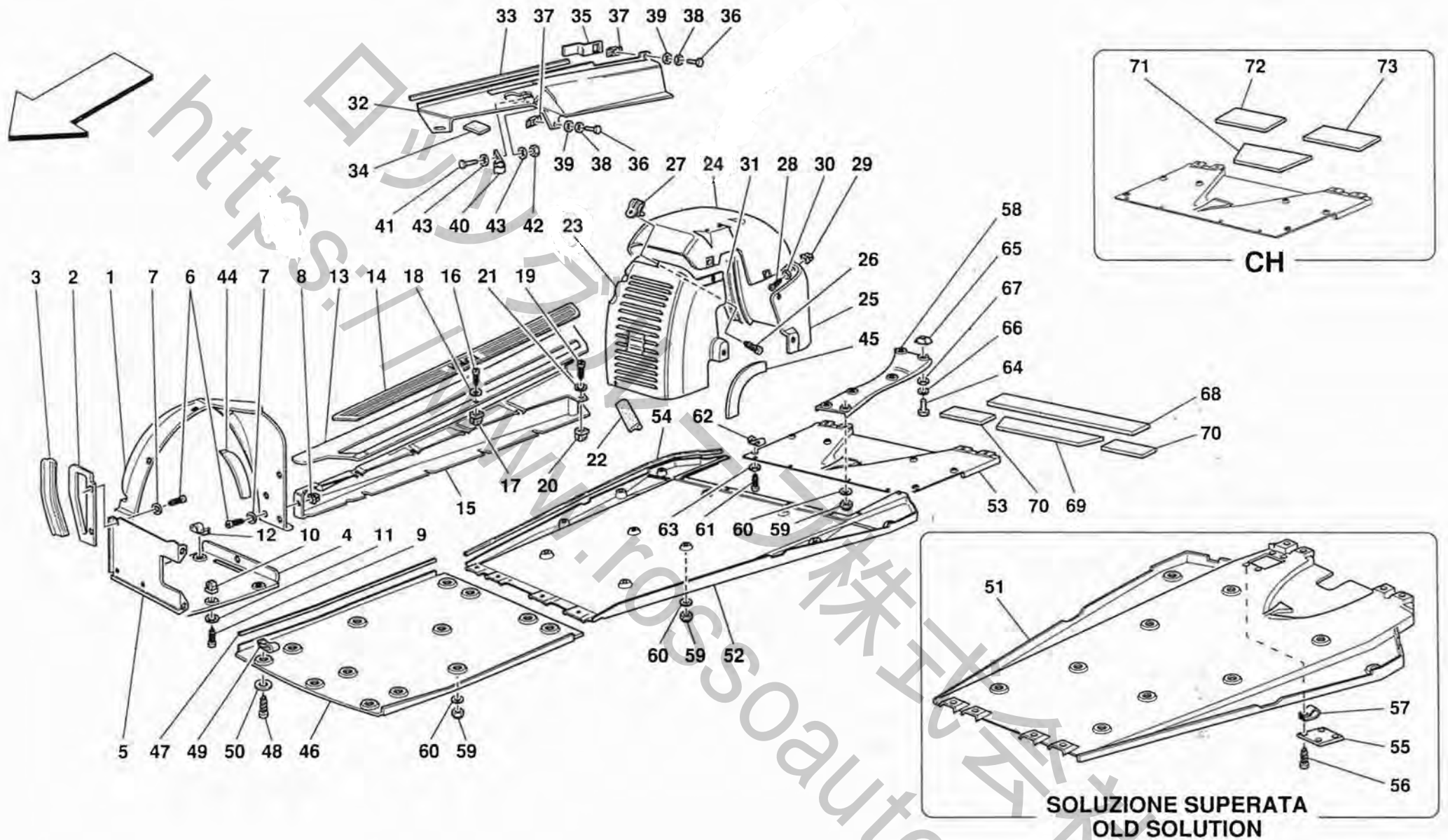
SCocca - RIVESTIMENTI ESTERNI
BODY - OUTER TRIMS

TAV. 106

DATA: GIUGNO '95

Rif	Dis. N° Part. N°	Q.ty	Denominazione	Description
27	64458300	1	CONVOGLIATORE PRESA ARIA SX. -No per Spider-	CONVEYOR FOR L.H. AIR PLUG -Not for Spider-
-	64458200	1	CONVOGLIATORE PRESA ARIA DX. -No per Spider-	CONVEYOR FOR R.H. AIR PLUG -Not for Spider-
28	64116600	1	RIPARO RIVESTIMENTO POST. -No per GTS- -No per USA, CDN, AUS e ORIENTE-	REAR COVERING SHIELD -Not for GTS- -Not for USA, CDN, AUS and ORIENTE-
-	64121600	1	RIPARO RIVESTIMENTO POST. -No per GTS- -Vale per USA, CDN, AUS e ORIENTE-	REAR COVERING SHIELD -Not for GTS- -Valid for USA, CDN, AUS and ORIENTE-
-	64523400	1	RIPARO RIVESTIMENTO POST. -Vale per GTS- -No per GTS USA, GTS CDN, GTS AUS e GTS ORIENTE-	REAR COVERING SHIELD -Valid for GTS- -Not for USA GTS, CDN GTS, AUS GTS and ORIENTE GTS-
-	64526100	1	RIPARO RIVESTIMENTO POST. -Vale per GTS USA, GTS CDN, GTS AUS e GTS ORIENTE-	REAR COVERING SHIELD -Valid for USA GTS, CDN GTS, AUS GTS and ORIENTE GTS-

Rif	Dis. N° Part. N°	Q.ty	Denominazione	Description
29	20286209	4	VITE	SCREW
30	11181574	4	ROSETTA	WASHER
31	64679800	1	GUARNIZIONE	GASKET
32	64220100	1	SCRITTA "F 355 BERLINETTA" -Vale per BERLINETTA-	"F 355 BERLINETTA" MARK -Valid for BERLINETTA-
-	64471400	1	SCRITTA "F 355 GTS" -Vale per GTS-	"F 355 GTS" MARK -Valid for GTS-
-	64523300	1	SCRITTA "F 355 Spider" -Vale per Spider-	"F 355 Spider" MARK -Valid for Spider-
33	64760200	3	PIASTRINA FISS. SCRITTA	MARK FIXING PLATE
34	20043105	2	FREGIO "PININFARINA"	"PININFARINA" ORNAMENT
35	60324506	4	MOLLETTA	CLIP
36	14624587	2	TAPPO -Vale per Spider-	PLUG -Valid for Spider-



F355

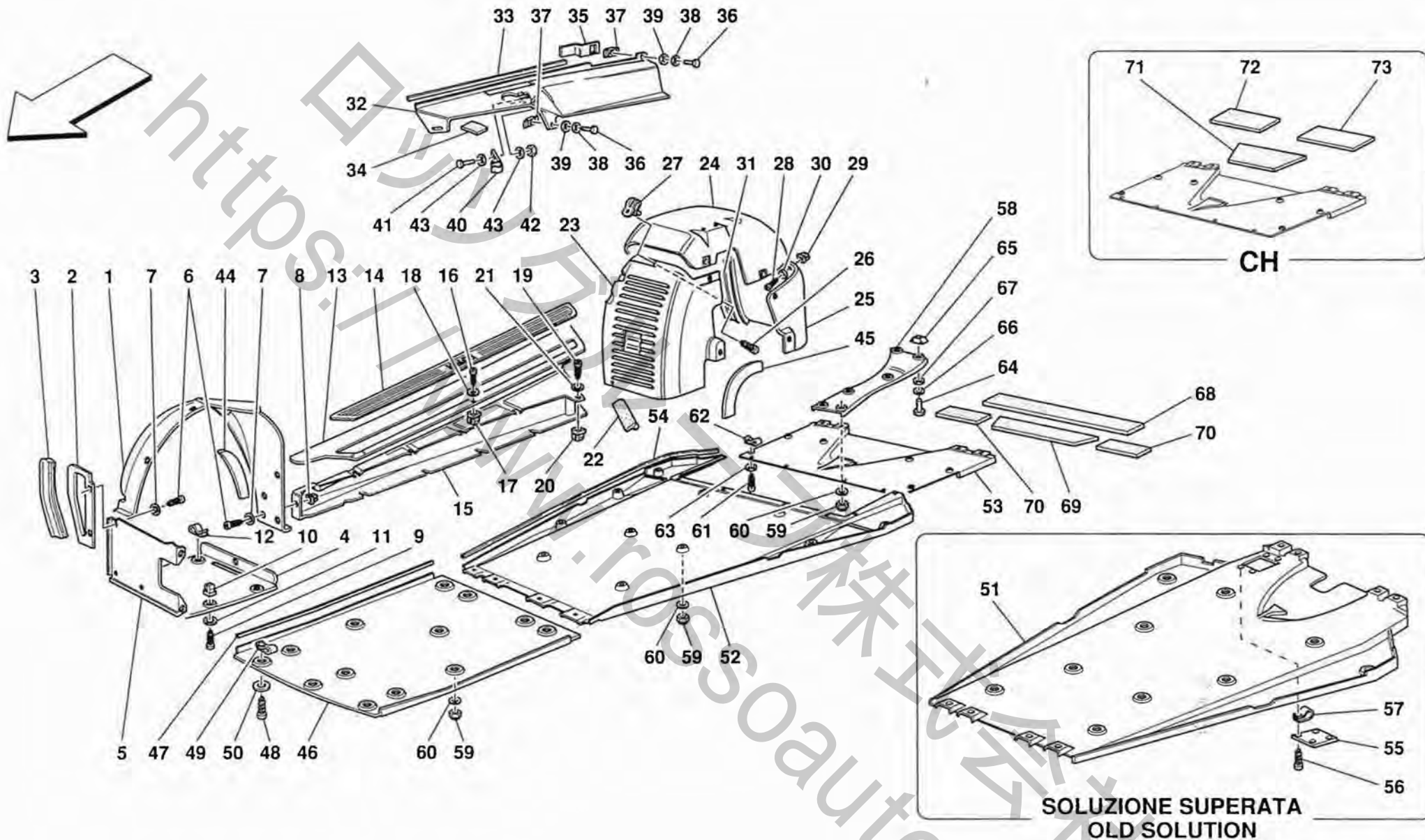
SCocca - PARATIE E PASSARUOTE
 BODY - SHIELDS AND WHEELHOUSES

TAV. 107

DATA: GIUGNO '95

Rif	Dis.N° Part.N°	Q.ty	Denominazione	Description
1	62095500	1	PARASASSI PASSARUOTA ANT. DX.	R.H. FRONT WHEELHOUSE GRAVEL GUARD
-	62095600	1	PARASASSI PASSARUOTA ANT. SX.	L.H. FRONT WHEELHOUSE GRAVEL GUARD
2	64110700	1	PARASASSI ANT. LATERALE DX.	R.H. FRONT LATERAL GRAVEL GUARD
-	64110800	1	PARASASSI ANT. LATERALE SX.	L.H. FRONT LATERAL GRAVEL GUARD
3	63393200	2	GUARNIZIONE	GASKET
4	64106900	1	RIPARO INFERIORE DX. SOTTOSCOCCA	R.H. LOWER GUARD FOR UNDERBODY
-	64107000	1	RIPARO INFERIORE SX. SOTTOSCOCCA	L.H. LOWER GUARD FOR UNDERBODY
5	64242900	1	PARASASSI ANT. INFERIORE DX.	R.H. LOWER FRONT GRAVEL GUARD
-	64243000	1	PARASASSI ANT. INFERIORE SX.	L.H. LOWER FRONT GRAVEL GUARD
6	15903978	14	VITE	SCREW
7	12638177	14	ROSETTA	WASHER
8	14215480	14	BLOCCHETTO	BLOCK
9	15644178	10	VITE	SCREW
10	14115885	4	BLOCCHETTO	BLOCK
11	60711900	10	ROSETTA	WASHER
12	62767600	6	MOLLETTA	CLIP
13	64119200	1	BATTICALCAGNO DX.	R.H. KICK PLATE
-	64119300	1	BATTICALCAGNO SX.	L.H. KICK PLATE
14	62172100	2	GOMMA PER BATTICALCAGNO	KICK PLATE RUBBER
15	64101100	1	RIVESTIMENTO LONGHERONE DX.	COVERING FOR R.H. SIDE MEMBER
-	64101200	1	RIVESTIMENTO LONGHERONE SX.	COVERING FOR L.H. SIDE MEMBER
16	15914977	6	VITE	SCREW
17	14115580	6	BLOCCHETTO	BLOCK
18	12642878	6	ROSETTA	WASHER
19	15688278	20	VITE	SCREW
20	14203587	20	BLOCCHETTO	BLOCK
21	12638177	20	ROSETTA	WASHER
22	63251400	1	GUARNIZIONE POST. DX.	R.H. REAR GASKET
-	63251500	1	GUARNIZIONE POST. SX.	L.H. REAR GASKET
23	64111200	1	PASSARUOTA POST. DX. -Parte anteriore- (Tipo Largo - mm. 380)	R.H. REAR WHEELHOUSE -Front side- (Large Type - mm. 380)
-	64647800	1	PASSARUOTA POST. DX. -Parte anteriore- (Tipo Stretto - mm. 350)	R.H. REAR WHEELHOUSE -Front side- (Narrow Type - mm. 350)
-	64111300	1	PASSARUOTA POST. SX. -Parte anteriore- (Tipo Largo - mm. 380)	L.H. REAR WHEELHOUSE -Front side- (Large Type - mm. 380)

Rif	Dis.N° Part.N°	Q.ty	Denominazione	Description
-	64647900	1	PASSARUOTA POST. SX. -Parte anteriore- (Tipo Stretto - mm. 350)	L.H. REAR WHEELHOUSE -Front side- (Narrow Type - mm. 350)
24	63394200	1	PASSARUOTA POST. DX. -Parte centrale- (Tipo Largo - mm. 380)	R.H. REAR WHEELHOUSE -Central side- (Large Type - mm. 380)
-	64676600	1	PASSARUOTA POST. DX. -Parte centrale- (Tipo Stretto - mm. 350)	R.H. REAR WHEELHOUSE -Central side- (Narrow Type - mm. 350)
-	63394300	1	PASSARUOTA POST. SX. -Parte centrale- (Tipo Largo - mm. 380)	L.H. REAR WHEELHOUSE -Central side- (Large Type - mm. 380)
-	64676700	1	PASSARUOTA POST. SX. -Parte centrale- (Tipo Stretto - mm. 350)	L.H. REAR WHEELHOUSE -Central side- (Narrow Type - mm. 350)
25	64110500	1	PASSARUOTA POST. DX. -Parte posteriore- (Tipo Largo - mm. 380)	R.H. REAR WHEELHOUSE -Rear side- (Large Type - mm. 380)
-	64676400	1	PASSARUOTA POST. DX. -Parte posteriore- (Tipo Stretto - mm. 350)	R.H. REAR WHEELHOUSE -Rear side- (Narrow Type - mm. 350)
-	64110600	1	PASSARUOTA POST. SX. -Parte posteriore- (Tipo Largo - mm. 380)	L.H. REAR WHEELHOUSE -Rear side- (Large Type - mm. 380)
-	64676500	1	PASSARUOTA POST. SX. -Parte posteriore- (Tipo Stretto - mm. 350)	L.H. REAR WHEELHOUSE -Rear side- (Narrow Type - mm. 350)
26	15903978	6	VITE	SCREW
27	60517200	6	MOLLETTA	CLIP
28	15687378	20	VITE	SCREW
29	14215480	20	BLOCCHETTO	BLOCK
30	12638177	20	ROSETTA	WASHER
31	63393200	2	GUARNIZIONE	GASKET
32	64501500	1	PROTEZIONE LATERALE DX. -No per Spider- -Vale per USA e CH-	R.H. LATERAL PROTECTION -Not for Spider- -Valid for USA and CH-
-	64627900	1	PROTEZIONE LATERALE DX. -Vale per Spider- -No per USA e CH-	R.H. LATERAL PROTECTION -Valid for Spider- -Not for USA and CH-
-	64501600	1	PROTEZIONE LATERALE SX. -No per Spider- -Vale per USA e CH-	L.H. LATERAL PROTECTION -Not for Spider- -Valid for USA and CH-



F355

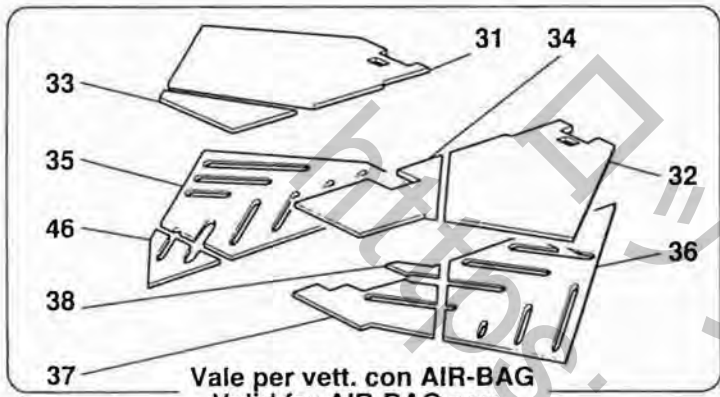
SCocca - PARATIE E PASSARUOTE
 BODY - SHIELDS AND WHEELHOUSES

TAV. 107

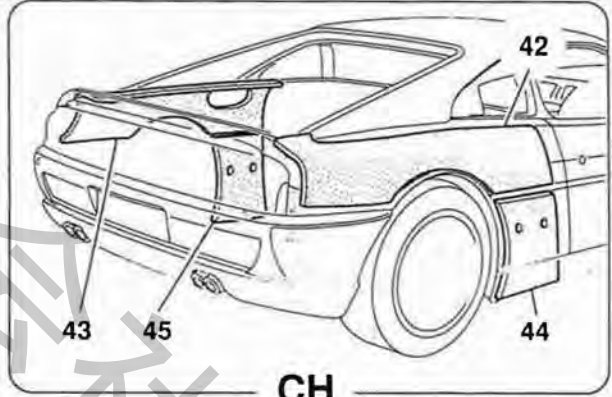
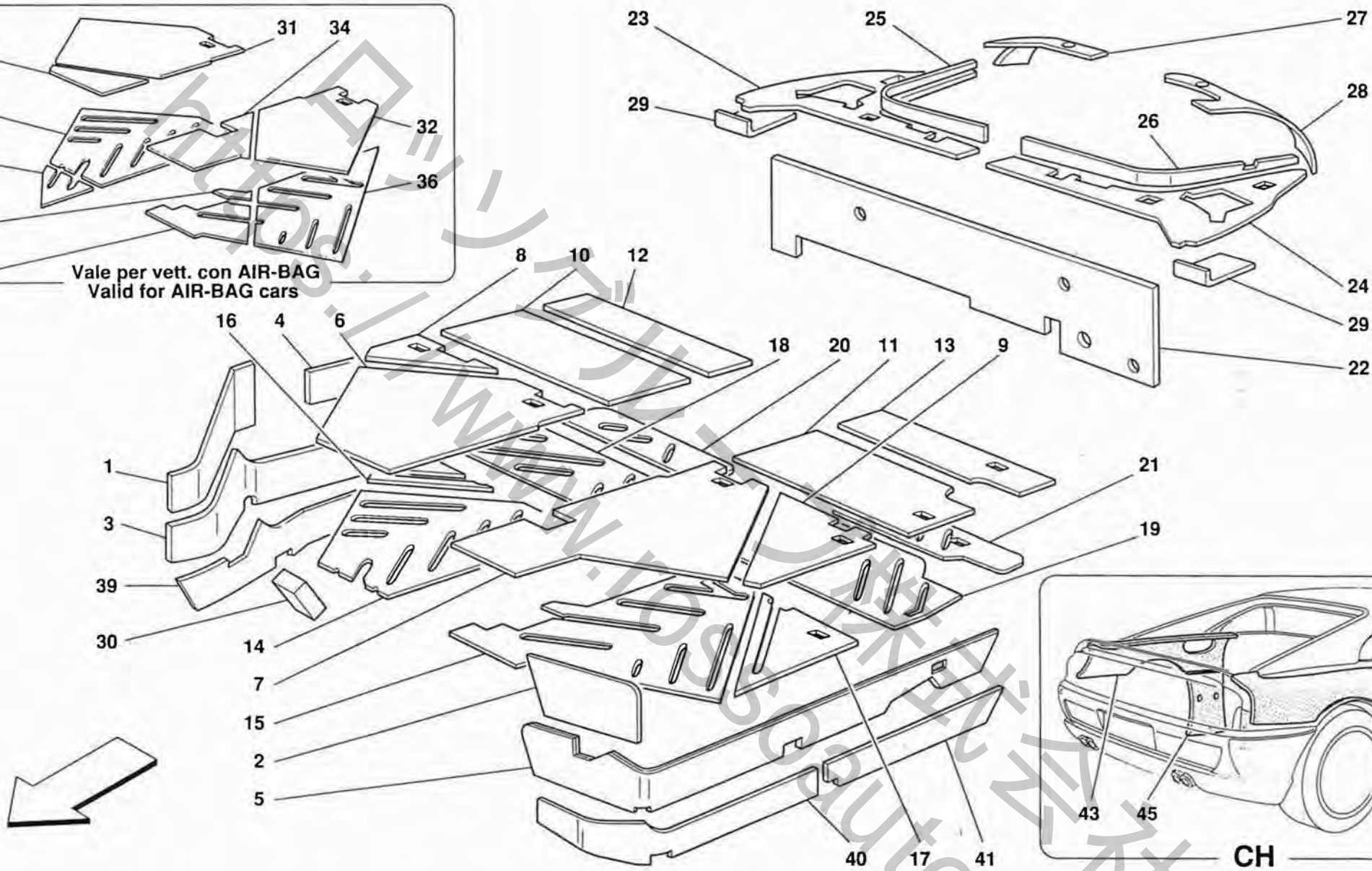
DATA: GIUGNO '95

Rif	Dis.N° Part.N°	Q.ty	Denominazione	Description
-	64628000	1	PROTEZIONE LATERALE SX. -Vale per Spider- -No per USA e CH-	L.H. LATERAL PROTECTION -Valid for Spider- -Not for USA and CH-
33	64517900	2	GUARNIZIONE	GASKET
34	127403	2	SPESSORE IN GOMMA	RUBBER THICKNESS
35	64335200	2	STAFFA POST.	REAR BRACKET
36	14305287	8	VITE	SCREW
37	60659100	8	DADO CON GABBIA	NUT WITH CAGE
38	160957	8	ROSETTA	WASHER
39	12643777	8	ROSETTA	WASHER
40	131783	2	MOLLETTA	CLIP
41	10977624	2	VITE	SCREW
42	12574115	2	DADO	NUT
43	12638124	4	ROSETTA	WASHER
44	64499100	1	PROTEZIONE PASSARUOTA ANT. DX.	R.H. FRONT WHEELHOUSE PROTECTION
-	64499000	1	PROTEZIONE PASSARUOTA ANT. SX.	L.H. FRONT WHEELHOUSE PROTECTION
45	64498900	1	PROTEZIONE PASSARUOTA POST. DX.	R.H. REAR WHEELHOUSE PROTECTION
-	64498800	1	PROTEZIONE PASSARUOTA POST. SX.	L.H. REAR WHEELHOUSE PROTECTION
46	64047600	1	SOTTOSCOCCA ANT. CENTRALE	CENTRAL FRONT UNDER THE BODY SHELL
47	64349600	2	GUARNIZIONE SOTTOSCOCCA ANT.	FRONT UNDER THE BODY SHELL GASKET
48	15644178	3	VITE	SCREW
49	62767600	3	MOLLETTA	CLIP
50	60711900	3	ROSETTA	WASHER
51	—	1	SOTTOPIANALE CENTRALE -No per Spider- -Non a ricambio- -Sostituire con 64245000 + 64540500 da montare assieme-	CENTRAL UNDER-FLOOR -Not for Spider- -Not as spare part- -Replace with 64245000 + 64540500 to assemble together-
52	64245000	1	SOTTOPIANALE CENTRALE -No per Spider-	CENTRAL UNDER- FLOOR -Not for Spider-
-	64526000	1	SOTTOPIANALE CENTRALE -Vale per Spider-	CENTRAL UNDER- FLOOR -Valid for Spider-

Rif	Dis.N° Part.N°	Q.ty	Denominazione	Description
53	64540500	1	SOTTOPIANALE POST. -No per Spider-	REAR UNDER-FLOOR -Not for Spider-
-	64684000	1	SOTTOPIANALE POST. -Vale per Spider-	REAR UNDER-FLOOR -Valid for Spider-
54	64473300	2	GUARNIZIONE SOTTOPIANALE CENTRALE	CENTRAL UNDER-FLOOR GASKET
55	64374400	1	SPORTELLO SOTTOPIANALE CENTRALE	CENTRAL UNDER-FLOOR DOOR
56	15914977	4	VITE	SCREW
57	61828500	4	STAFFETTA PER VITE	BRACKET FOR SCREW
58	64313300	1	ESTRATTORE ARIA POST. DX.	R.H. REAR AIR EXTRACTOR
-	64313400	1	ESTRATTORE ARIA POST. SX.	L.H. REAR AIR EXTRACTOR
59	64449900	36	DADO	NUT
60	12640624	36	ROSETTA	WASHER
61	15644178	8	VITE	SCREW
62	62767600	8	MOLLETTA	CLIP
63	60711900	8	ROSETTA	WASHER
64	10902180	4	VITE	SCREW
65	60659100	4	DADO	NUT
66	127494	4	ROSETTA	WASHER
67	12643770	4	ROSETTA	WASHER
68	64608700	1	ISOLANTE CENTRALE SUPERIORE SOTTOPIANALE -No per CH-	UNDER-FLOOR UPPER CENTRAL INSULATION -Not for CH-
69	64608600	1	ISOLANTE CENTRALE INFERIORE SOTTOPIANALE -No per CH-	UNDER-FLOOR LOWER CENTRAL INSULATION -Not for CH-
70	64608800	2	ISOLANTE LATERALE SOTTOPIANALE -No per CH-	UNDER-FLOOR LATERAL INSULATION -Not for CH-
71	64641400	1	ISOLANTE CENTRALE SOTTOPIANALE -Vale per CH-	UNDER-FLOOR CENTRAL INSULATION -Valid for CH-
72	64641300	1	ISOLANTE DX. SOTTOPIANALE -Vale per CH-	UNDER-FLOOR R.H. INSULATION -Valid for CH-
73	64643900	1	ISOLANTE SX. SOTTOPIANALE -Vale per CH-	UNDER-FLOOR L.H. INSULATION -Valid for CH-



Vale per vett. con AIR-BAG
Valid for AIR-BAG cars



CH

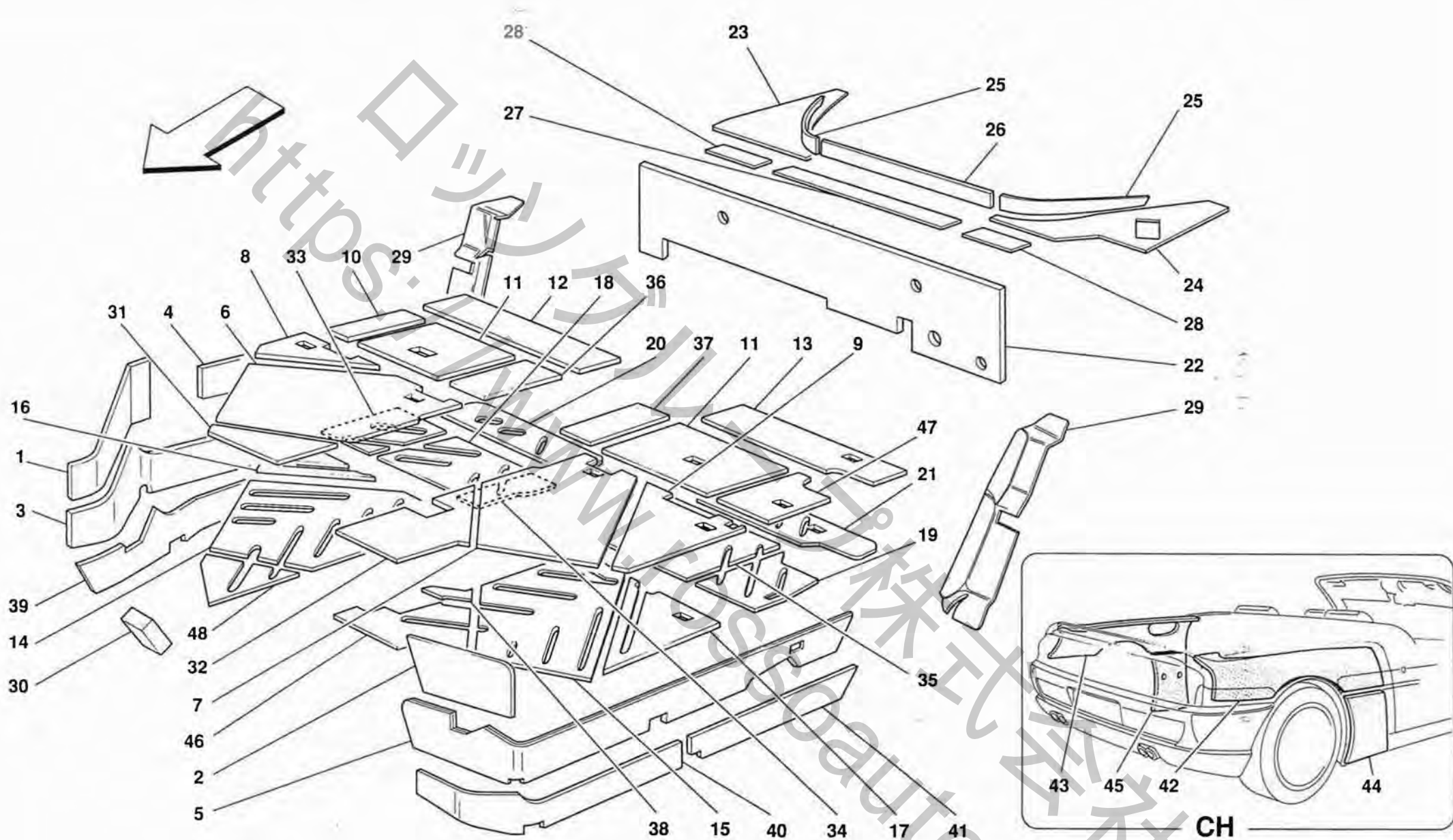
F355

ISOLAMENTI ABITACOLO -No per Spider-
PASSENGERS COMPARTMENT INSULATIONS -Not for Spider-

TAV. 108
DATA: GIUGNO '95

Rif	Dis.N° Part.N°	Q.ty	Denominazione	Description
1	62806900	1	ISOLANTE PASSARUOTA ANT. DX. -No per GD-	FRONT R.H. WHEELHOUSE INSULATION -Not for GD-
-	62988600	1	ISOLANTE PASSARUOTA ANT. DX. -Vale per GD-	FRONT R.H. WHEELHOUSE INSULATION -Valid for GD-
2	62807000	1	ISOLANTE PASSARUOTA ANT. SX. -No per GD-	FRONT L.H. WHEELHOUSE INSULATION -Not for GD-
-	62988500	1	ISOLANTE PASSARUOTA ANT. SX. -Vale per GD-	FRONT L.H. WHEELHOUSE INSULATION -Valid for GD-
3	62806700	1	ISOLANTE ANT. LONGHERONE DX. -No per GD-	R.H. SIDE MEMBER FRONT INSULATION -Not for GD-
4	62806800	1	ISOLANTE POST. LONGHERONE DX. -No per GD-	R.H. SIDE MEMBER REAR INSULATION -Not for GD-
5	62806600	1	ISOLANTE LONGHERONE SX. -No per GD-	L.H. SIDE MEMBER INSULATION -Not for GD-
6	62805100	1	ISOLANTE ANT. SUPERIORE DX. PIANALE -No per vett. con AIR-BAG- -No per GD-	UPPER FRONT R.H. INSULATION FOR PLATFORM -Not for cars with AIR-BAG- -Not for GD-
-	62982800	1	ISOLANTE ANT. SUPERIORE DX. PIANALE -Vale per GD- -No per vett. con AIR-BAG- -No per GD-	UPPER FRONT R.H. INSULATION FOR PLATFORM -Valid for GD- -Not for cars with AIR-BAG- -Not for GD-
7	62805500	1	ISOLANTE ANT. SUPERIORE SX. PIANALE -No per vett. con AIR-BAG- -No per GD-	UPPER FRONT L.H. INSULATION FOR PLATFORM -Not for cars with AIR-BAG- -Not for GD-
-	62984200	1	ISOLANTE ANT. SUPERIORE SX. PIANALE -Vale per GD- -No per vett. con AIR-BAG- -No per GD-	UPPER FRONT L.H. INSULATION FOR PLATFORM -Valid for GD- -Not for cars with AIR-BAG- -Not for GD-
8	63298000	1	ISOLANTE ANT. SUPERIORE ESTERNO DX. PIANALE -No per GD-	OUTER UPPER FRONT R.H. INSULATION FOR PLATFORM -Not for GD-
-	63299400	1	ISOLANTE ANT. SUPERIORE ESTERNO DX. PIANALE -Vale per GD-	OUTER UPPER FRONT R.H. INSULATION FOR PLATFORM -Valid for GD-
9	63297900	1	ISOLANTE ANT. SUPERIORE ESTERNO SX. PIANALE -No per GD-	OUTER UPPER FRONT L.H. INSULATION FOR PLATFORM -Not for GD-
-	63299200	1	ISOLANTE ANT. SUPERIORE ESTERNO SX. PIANALE -Vale per GD-	OUTER UPPER FRONT L.H. INSULATION FOR PLATFORM -Valid for GD-

Rif	Dis.N° Part.N°	Q.ty	Denominazione	Description
10	63298600	1	ISOLANTE CENTRALE SUPERIORE DX. PIANALE -No per GD-	CENTRAL UPPER R.H. INSULATION FOR PLATFORM -Not for GD-
-	63299600	1	ISOLANTE CENTRALE SUPERIORE DX. PIANALE -Vale per GD-	CENTRAL UPPER R.H. INSULATION FOR PLATFORM -Valid for GD-
11	63298300	1	ISOLANTE CENTRALE SUPERIORE SX. PIANALE -No per GD-	CENTRAL UPPER L.H. INSULATION FOR PLATFORM -Not for GD-
-	63299500	1	ISOLANTE CENTRALE SUPERIORE SX. PIANALE -Vale per GD-	CENTRAL UPPER L.H. INSULATION FOR PLATFORM -Valid for GD-
12	63298500	1	ISOLANTE POST. SUPERIORE DX. PIANALE -No per GD-	UPPER REAR R.H. INSULATION FOR PLATFORM -Not for GD-
-	63299700	1	ISOLANTE POST. SUPERIORE DX. PIANALE -Vale per GD-	UPPER REAR R.H. INSULATION FOR PLATFORM -Valid for GD-
13	63298400	1	ISOLANTE POST. SUPERIORE SX. PIANALE -No per GD-	UPPER REAR L.H. INSULATION FOR PLATFORM -Not for GD-
-	63299900	1	ISOLANTE POST. SUPERIORE SX. PIANALE -Vale per GD-	UPPER REAR L.H. INSULATION FOR PLATFORM -Valid for GD-
14	62804300	1	ISOLANTE ANT. INFERIORE DX. PIANALE -No per vett. con AIR-BAG- -No per GD-	LOWER FRONT R.H. INSULATION FOR PLATFORM -Not for cars with AIR-BAG- -Not for GD-
-	62982700	1	ISOLANTE ANT. INFERIORE DX. PIANALE -Vale per GD- -No per vett. con AIR-BAG- -No per GD-	LOWER FRONT R.H. INSULATION FOR PLATFORM -Valid for GD- -Not for cars with AIR-BAG- -Not for GD-
15	62804700	1	ISOLANTE ANT. INFERIORE SX. PIANALE -No per vett. con AIR-BAG- -No per GD-	LOWER FRONT L.H. INSULATION FOR PLATFORM -Not for cars with AIR-BAG- -Not for GD-
-	62984100	1	ISOLANTE ANT. INFERIORE SX. PIANALE -Vale per GD- -No per vett. con AIR-BAG-	LOWER FRONT L.H. INSULATION FOR PLATFORM -Valid for GD- -Not for cars with AIR-BAG-



F355

ISOLAMENTI ABITACOLO -Vale per Spider-

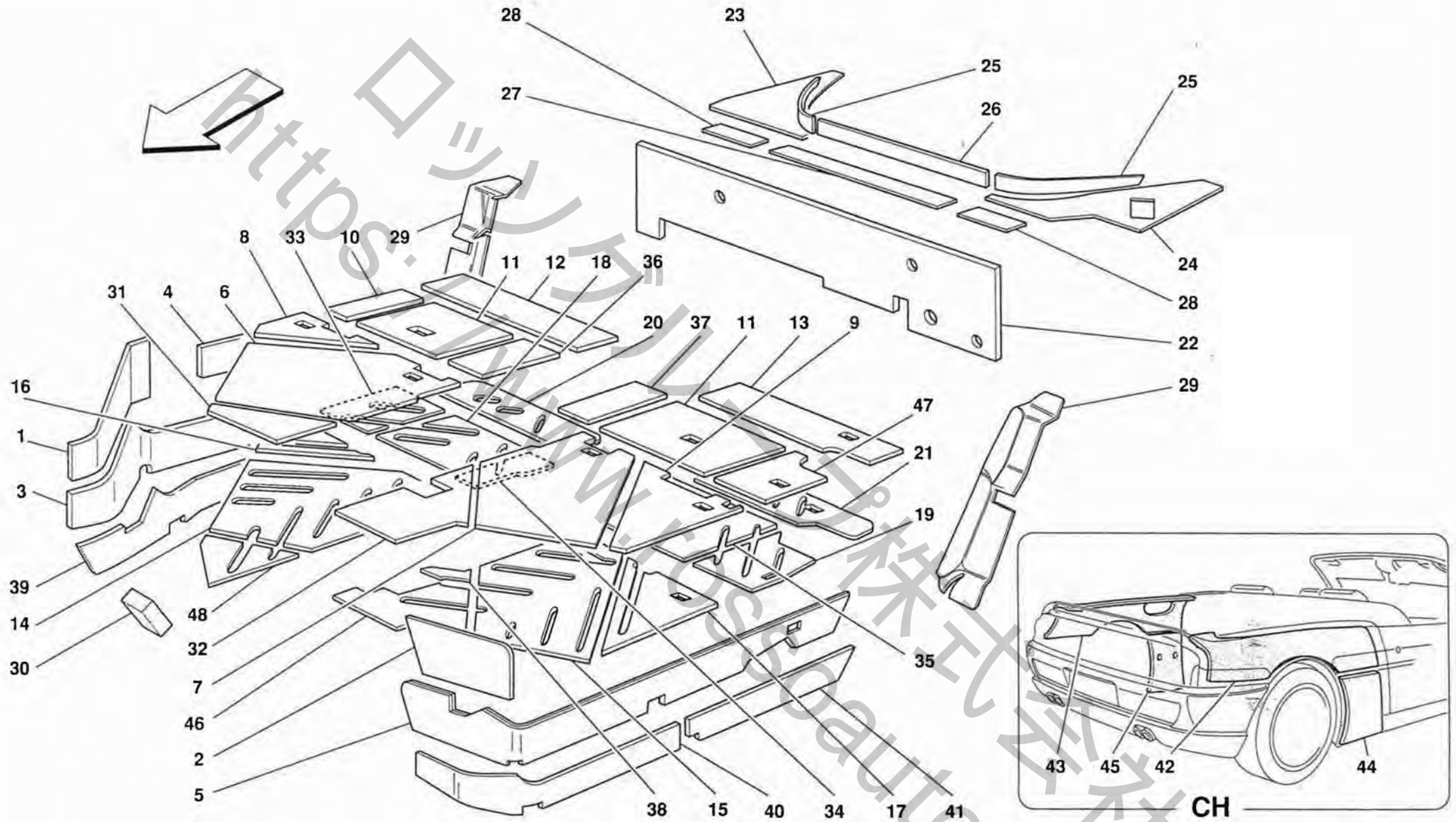
PASSENGERS COMPARTMENT INSULATIONS -Valid for Spider-

TAV. 109

DATA: GIUGNO '95

Rif	Dis.N° Part.N°	Q.ty	Denominazione	Description
1	62806900	1	ISOLANTE PASSARUOTA ANT. DX. -No per GD-	FRONT R.H. WHEELHOUSE INSULATION -Not for GD-
-	62988600	1	ISOLANTE PASSARUOTA ANT. DX. -Vale per GD-	FRONT R.H. WHEELHOUSE INSULATION -Valid for GD-
2	62807000	1	ISOLANTE PASSARUOTA ANT. SX. -No per GD-	FRONT L.H. WHEELHOUSE INSULATION -Not for GD-
-	62988500	1	ISOLANTE PASSARUOTA ANT. SX. -Vale per GD-	FRONT L.H. WHEELHOUSE INSULATION -Valid for GD-
3	62806700	1	ISOLANTE ANT. LONGHERONE DX. -No per GD-	R.H. SIDE MEMBER FRONT INSULATION -Not for GD-
4	62806800	1	ISOLANTE POST. LONGHERONE DX. -No per GD-	R.H. SIDE MEMBER REAR INSULATION -Not for GD-
5	62806600	1	ISOLANTE LONGHERONE SX. -No per GD-	L.H. SIDE MEMBER INSULATION -Not for GD-
6	64841800	1	ISOLANTE ANT. SUPERIORE DX. PIANALE -No per GD-	UPPER FRONT R.H. INSULATION FOR PLATFORM -Not for GD-
-	64911700	1	ISOLANTE ANT. SUPERIORE DX. PIANALE -Vale per GD-	UPPER FRONT R.H. INSULATION FOR PLATFORM -Valid for GD-
7	64841900	1	ISOLANTE ANT. SUPERIORE SX. PIANALE -No per GD-	UPPER FRONT L.H. INSULATION FOR PLATFORM -Not for GD-
-	64911600	1	ISOLANTE ANT. SUPERIORE SX. PIANALE -Vale per GD-	UPPER FRONT L.H. INSULATION FOR PLATFORM -Valid for GD-
8	64842200	1	ISOLANTE ANT. SUPERIORE ESTERNO DX. PIANALE	OUTER UPPER FRONT R.H. INSULATION FOR PLATFORM
9	64842400	1	ISOLANTE ANT. SUPERIORE ESTERNO SX. PIANALE	OUTER UPPER FRONT L.H. INSULATION FOR PLATFORM
10	63995500	1	ISOLANTE CENTRALE SUPERIORE DX. PIANALE -No per GD-	CENTRAL UPPER R.H. INSULATION FOR PLATFORM -Not for GD-
-	64274800	1	ISOLANTE CENTRALE SUPERIORE DX. PIANALE -Vale per GD-	CENTRAL UPPER R.H. INSULATION FOR PLATFORM -Valid for GD-
11	63995600	2	ISOLANTE CENTRALE SUPERIORE PIANALE	CENTRAL UPPER INSULATION FOR PLATFORM
12	63298500	1	ISOLANTE POST. SUPERIORE DX. PIANALE -No per GD-	UPPER REAR R.H. INSULATION FOR PLATFORM -Not for GD-

Rif	Dis.N° Part.N°	Q.ty	Denominazione	Description
-	63299700	1	ISOLANTE POST. SUPERIORE DX. PIANALE -Vale per GD-	UPPER REAR R.H. INSULATION FOR PLATFORM -Valid for GD-
13	63298400	1	ISOLANTE POST. SUPERIORE SX. PIANALE -No per GD-	UPPER REAR L.H. INSULATION FOR PLATFORM -Not for GD-
-	63299900	1	ISOLANTE POST. SUPERIORE SX. PIANALE -Vale per GD-	UPPER REAR L.H. INSULATION FOR PLATFORM -Valid for GD-
14	64842000	1	ISOLANTE ANT. INFERIORE DX. PIANALE -No per GD-	LOWER FRONT R.H. INSULATION FOR PLATFORM -Not for GD-
-	64911500	1	ISOLANTE ANT. INFERIORE DX. PIANALE -Vale per GD-	LOWER FRONT R.H. INSULATION FOR PLATFORM -Valid for GD-
15	64842100	1	ISOLANTE ANT. INFERIORE SX. PIANALE -No per GD-	LOWER FRONT L.H. INSULATION FOR PLATFORM -Not for GD-
-	64911300	1	ISOLANTE ANT. INFERIORE SX. PIANALE -Vale per GD-	LOWER FRONT L.H. INSULATION FOR PLATFORM -Valid for GD-
16	64842300	1	ISOLANTE ANT. INFERIORE ESTERNO DX. PIANALE	OUTER LOWER FRONT R.H. INSULATION FOR PLATFORM
17	64842500	1	ISOLANTE ANT. INFERIORE ESTERNO SX. PIANALE	OUTER LOWER FRONT L.H. INSULATION FOR PLATFORM
18	63995300	1	ISOLANTE CENTRALE INFERIORE DX. PIANALE -No per GD-	LOWER CENTRAL R.H. INSULATION FOR PLATFORM -Not for GD-
-	64274400	1	ISOLANTE CENTRALE INFERIORE DX. PIANALE -Vale per GD-	LOWER CENTRAL R.H. INSULATION FOR PLATFORM -Valid for GD-
19	63995000	1	ISOLANTE CENTRALE INFERIORE SX. PIANALE -No per GD-	LOWER CENTRAL L.H. INSULATION FOR PLATFORM -Not for GD-
-	64274500	1	ISOLANTE CENTRALE INFERIORE SX. PIANALE -Vale per GD-	LOWER CENTRAL L.H. INSULATION FOR PLATFORM -Valid for GD-
20	62804600	1	ISOLANTE POST. INFERIORE DX. PIANALE -No per GD-	LOWER REAR R.H. INSULATION FOR PLATFORM -Not for GD-



F355

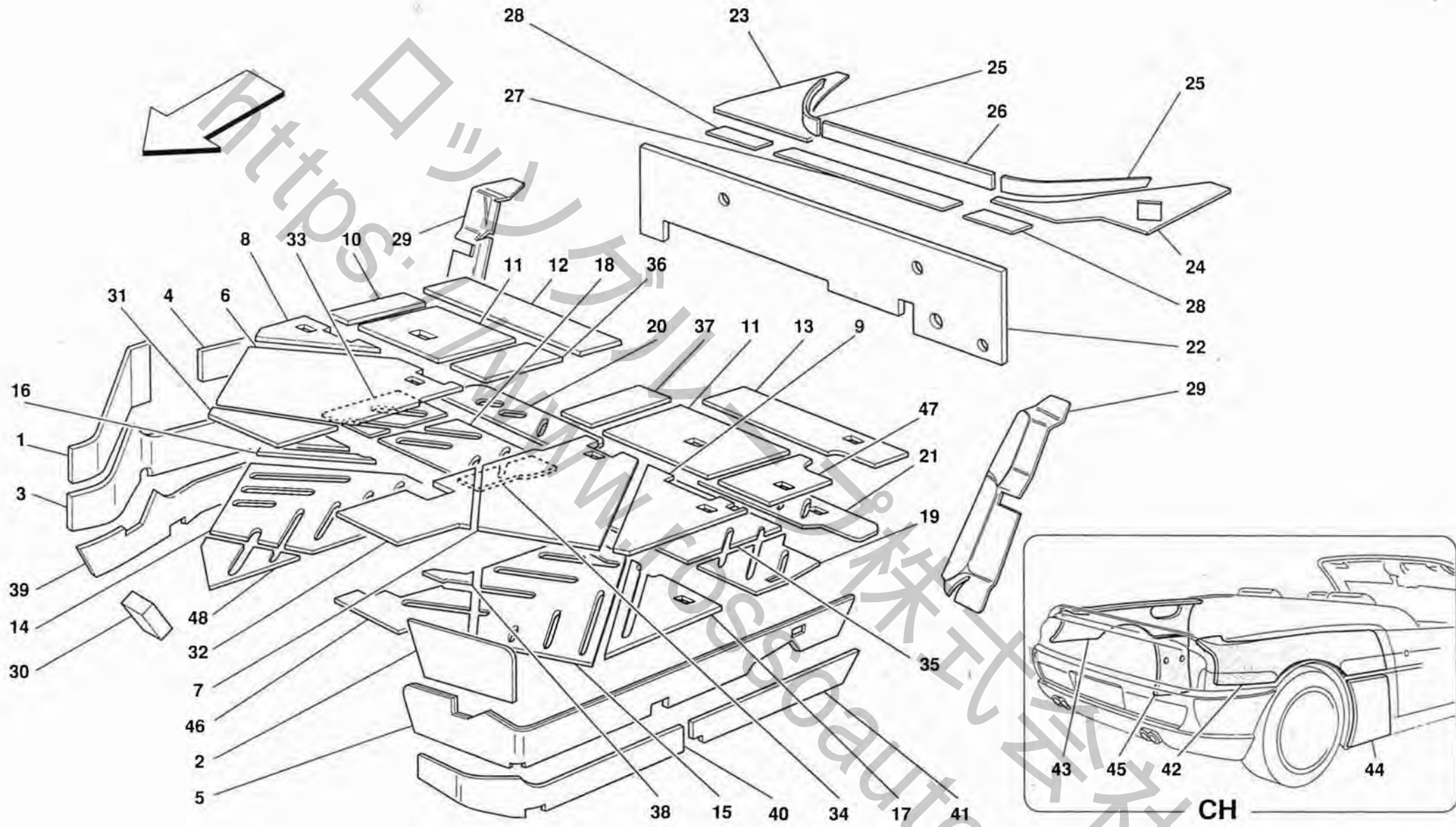
ISOLAMENTI ABITACOLO -Vale per Spider-

PASSENGERS COMPARTMENT INSULATIONS -Valid for Spider-

TAV. 109

DATA: GIUGNO '95

Rif	Dis.N° Part.N°	Q.ty	Denominazione	Description	Rif	Dis.N° Part.N°	Q.ty	Denominazione	Description
-	62985300	1	ISOLANTE POST. INFERIORE DX. PIANALE -Vale per GD-	LOWER REAR R.H. INSULATION FOR PLATFORM -Valid for GD-	32	64529100	1	ISOLANTE ANT. INTERNO SUPERIORE SX. PIANALE -No per GD-	UPPER INNER FRONT L.H. INSULATION FOR PLATFORM -Not for GD-
21	62805000	1	ISOLANTE POST. INFERIORE SX. PIANALE -No per GD-	LOWER REAR L.H. INSULATION FOR PLATFORM -Not for GD-	-	64883400	1	ISOLANTE ANT. INTERNO SUPERIORE SX. PIANALE -Vale per GD-	UPPER INNER FRONT L.H. INSULATION FOR PLATFORM -Valid for GD-
-	62985000	1	ISOLANTE POST. INFERIORE SX. PIANALE -Vale per GD-	LOWER REAR L.H. INSULATION FOR PLATFORM -Valid for GD-	33	63995100	1	ISOLANTE CENTRALE INFERIORE ESTERNO DX. -No per GD-	R.H. OUTER LOWER CENTRAL INSULATION -Not for GD-
22	64739000	1	ISOLANTE SUPERIORE VANO MOTORE -Vale per vett. con doppia pompa benzina-	UPPER INSULATION FOR ENGINE COMPARTMENT -Valid for cars with double fuel pump-	-	64274300	1	ISOLANTE CENTRALE INFERIORE ESTERNO DX. -Vale per GD-	R.H. OUTER LOWER CENTRAL INSULATION -Valid for GD-
-	64739400	1	ISOLANTE SUPERIORE VANO MOTORE -Vale per vett. con monopompa benzina-	UPPER INSULATION FOR ENGINE COMPARTMENT -Valid for cars with single fuel pump-	34	64239100	1	ISOLANTE CENTRALE INFERIORE INTERNO DX. -No per GD-	R.H. INNER LOWER CENTRAL INSULATION -Not for GD-
23	64524600	1	ISOLANTE DX. PIANETTO SOTTOLUNOTTO	R.H. PANEL INSULATION UNDER REAR WINDOW	-	64274700	1	ISOLANTE CENTRALE INFERIORE INTERNO DX. -Vale per GD-	R.H. INNER LOWER CENTRAL INSULATION -Valid for GD-
24	64524700	1	ISOLANTE SX. PIANETTO SOTTOLUNOTTO	L.H. PANEL INSULATION UNDER REAR WINDOW	35	63995200	1	ISOLANTE CENTRALE INFERIORE MEDIO SX. -No per GD-	L.H. MIDDLE LOWER CENTRAL INSULATION -Not for GD-
25	64523900	2	ISOLANTE VERTICALE SOTTOLUNOTTO	VERTICAL INSULATION UNDER REAR WINDOW	-	64274600	1	ISOLANTE CENTRALE INFERIORE MEDIO SX. -Vale per GD-	L.H. MIDDLE LOWER CENTRAL INSULATION -Valid for GD-
26	64524100	1	ISOLANTE VERTICALE CENTRALE SOTTOLUNOTTO	CENTRAL VERTICAL INSULATION UNDER REAR WINDOW	36	64239200	1	ISOLANTE CENTRALE SUPERIORE INTERNO DX.	R.H. INNER UPPER CENTRAL INSULATION
27	64524200	1	ISOLANTE CENTRALE PIANETTO SOTTOLUNOTTO	CENTRAL PANEL INSULATION UNDER REAR WINDOW	37	64239300	1	ISOLANTE CENTRALE SUPERIORE INTERNO SX.	L.H. INNER UPPER CENTRAL INSULATION
28	64620800	2	ISOLANTE PIANETTO SOTTOLUNOTTO	PANEL INSULATION UNDER REAR WINDOW	38	64538700	1	ISOLANTE INFERIORE SOTTO PEDALE ACCELERATORE	UNDER ACCELERATOR PEDAL LOWER INSULATION
29	64733600	1	ISOLANTE SX. VERTICALE PANCHETTA	BENCH VERTICAL L.H. INSULATION	39	62988200	1	ISOLANTE LONGHERONE DX. -Vale per GD-	R.H. SIDE MEMBER INSULATION -Valid for GD-
-	64733500	1	ISOLANTE DX. VERTICALE PANCHETTA	BENCH VERTICAL R.H. INSULATION	40	62988300	1	ISOLANTE ANT. LONGHERONE SX. -Vale per GD-	L.H. SIDE MEMBER FRONT INSULATION -Valid for GD-
30	64602000	1	ISOLANTE SU TUNNEL	TUNNEL INSULATION	41	62988400	1	ISOLANTE POST. LONGHERONE SX. -Vale per GD-	L.H. SIDE MEMBER REAR INSULATION -Valid for GD-
31	64529000	1	ISOLANTE ANT. INTERNO SUPERIORE DX. PIANALE -No per GD-	UPPER INNER FRONT R.H. INSULATION FOR PLATFORM -Not for GD-	42	64619500	1	ISOLANTE SUPERIORE PARAFANGO POST. DX. -Vale per CH-	R.H. REAR FENDER UPPER INSULATION -Valid for CH-
-	64883600	1	ISOLANTE ANT. INTERNO SUPERIORE DX. PIANALE -Vale per GD-	UPPER INNER FRONT R.H. INSULATION FOR PLATFORM -Valid for GD-	43	64619600	1	ISOLANTE SUPERIORE PARAFANGO POST. SX. -Vale per CH-	L.H. REAR FENDER UPPER INSULATION -Valid for CH-



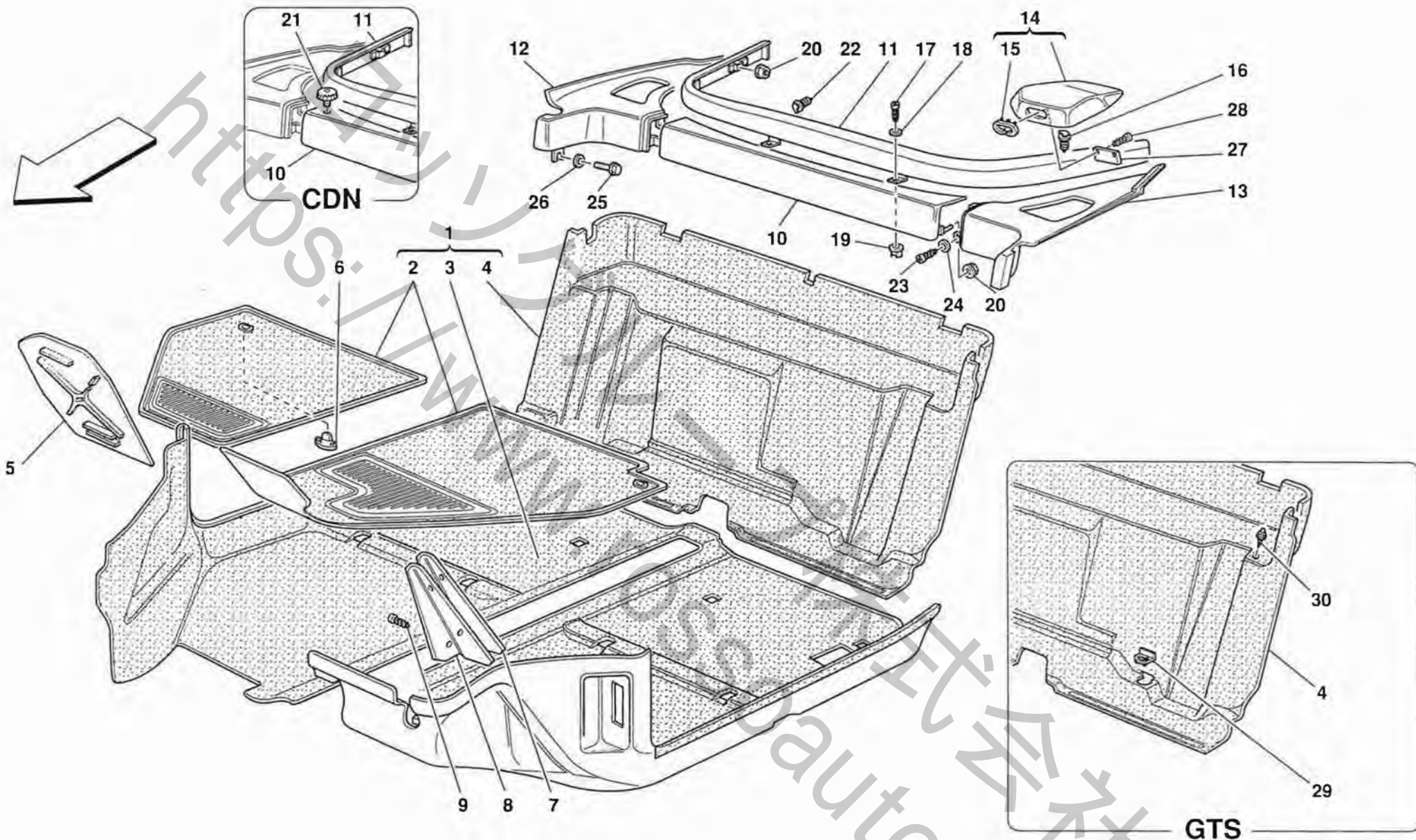
F355

ISOLAMENTI ABITACOLO -Vale per Spider-
PASSENGERS COMPARTMENT INSULATIONS -Valid for Spider-

TAV. 109
DATA: GIUGNO '95

Rif	Dis.N Part.N°	Q.ty	Denominazione	Description
44	62841400	1	ISOLANTE INFERIORE PARAFANGO POST. DX. -Vale per CH-	R.H. REAR FENDER LOWER INSULATION -Valid for CH-
45	62841500	1	ISOLANTE INFERIORE PARAFANGO POST. SX. -Vale per CH-	L.H. REAR FENDER LOWER INSULATION -Valid for CH-
46	64529400	1	ISOLANTE ANT. INTERNO INFERIORE SX. PIANALE -No per GD-	LOWER INNER FRONT L.H. INSULATION FOR PLATFORM -Not for GD-
-	64883000	1	ISOLANTE ANT. INTERNO INFERIORE SX. PIANALE -Vale per GD-	LOWER INNER FRONT L.H. INSULATION FOR PLATFORM -Valid for GD-

Rif	Dis.N° Part.N°	Q.ty	Denominazione	Description
47	63995400	1	ISOLANTE CENTRALE SUPERIORE ESTERNO SX. -No per GD-	L.H. OUTER UPPER CENTRAL INSULATION -Not for GD-
-	63995500	1	ISOLANTE CENTRALE SUPERIORE ESTERNO SX. -Vale per GD-	L.H. OUTER UPPER CENTRAL INSULATION -Valid for GD-
48	64883200	1	ISOLANTE ANT. INFERIORE DX. PIANALE -Vale per GD-	LOWER FRONT R.H. INSULATION FOR PLATFORM -Valid for GD-

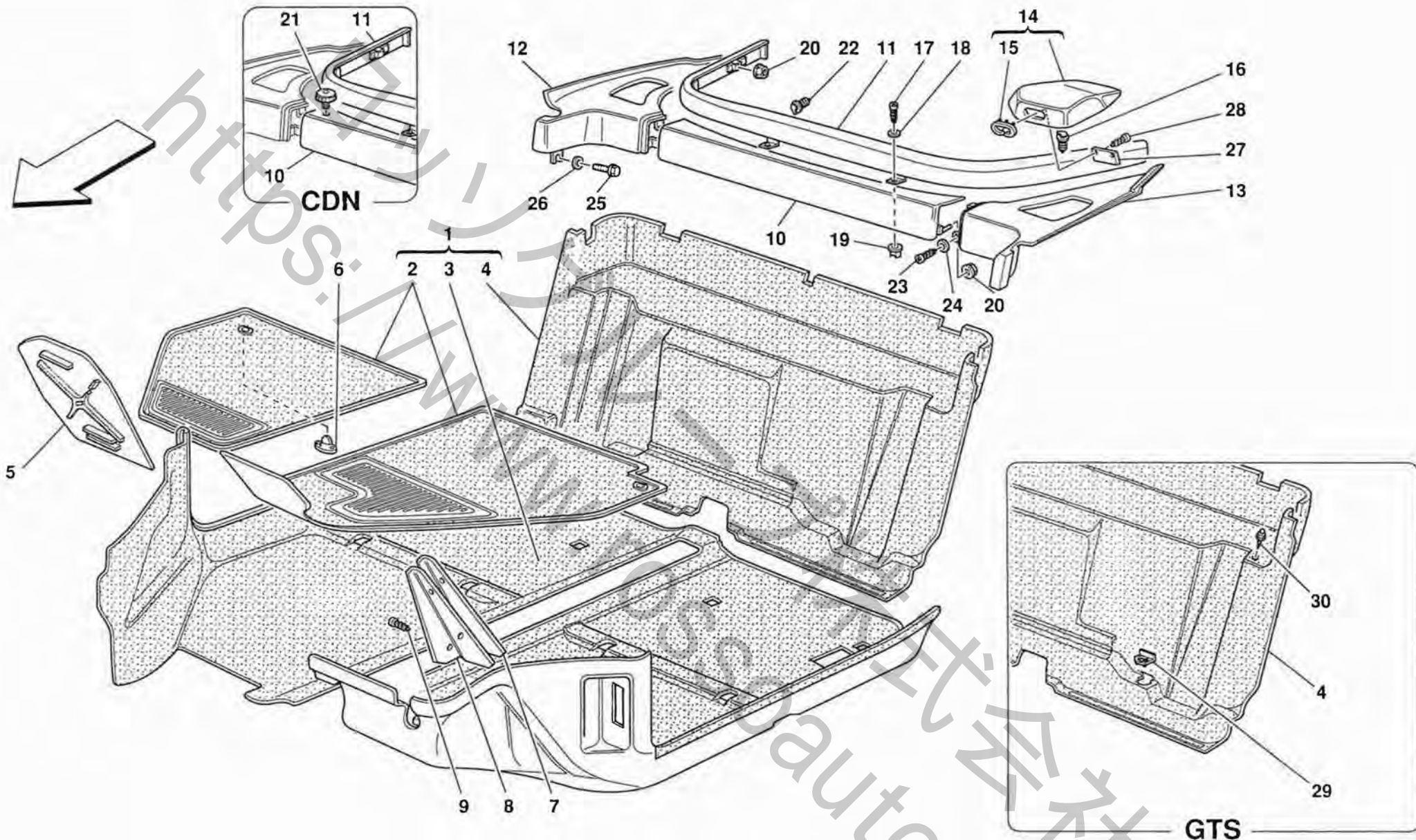


F355

TAPPETI ABITACOLO
PASSENGERS COMPARTMENT CARPETS

TAV. 110
DATA: GIUGNO '95

Rif	Dis.N° Part.N°	Q.ty	Denominazione	Description	Rif	Dis.N° Part.N°	Q.ty	Denominazione	Description
1	—	-	SERIE COMPLETA TAPPETI -Vedi Tav. "SERIE COMPLETE TAPPETI INTERNO VETTURA"	COMPLETE CARPETS SERIES -See "INNER COMPARTMENT CARPETS COMPLETE SERIES" Table-	10	635436..	1	OSSATURA CENTRALE SOTTOLUNOTTO RIVESTITA -No per BERLINETTA CDN-	CENTRAL COVERED TAIL REAR WINDOW CHASSIS -Not for CDN BERLINETTA-
2	633488..	1	TAPPETI MOBILI PILOTA/ PASSEGGERO -No per GD-	PILOT/PASSENGER MOVABLE CARPETS -Not for GD-	-	645117..	1	OSSATURA CENTRALE SOTTOLUNOTTO RIVESTITA -Vale per BERLINETTA CDN-	CENTRAL COVERED TAIL REAR WINDOW CHASSIS -Valid for CDN BERLINETTA-
-	632998..	1	TAPPETI MOBILI PILOTA/ PASSEGGERO -Vale per GD-	PILOT/PASSENGER MOVABLE CARPETS -Valid for GD-	-	635438..	1	RIVESTIMENTO OSSATURA CENTRALE SOTTOLUNOTTO	CENTRAL TAIL REAR WINDOW CHASSIS UPHOLSTERY
3	64307900	1	TAPPETO PREFORMATO PIANALE -No per GD- -Non a ricambio- -Con la serie completa tappeti-	FLATBED PRE-SHAPED CARPET -Not for GD- -Not as spare part- -With the carpets complete series-	11	643970..	1	TRAVERSA SOTTOLUNOTTO RIVESTITA -No per BERLINETTA CDN-	COVERED TAIL REAR WINDOW CROSSPIECE -Not for CDN BERLINETTA-
-	64445400	1	TAPPETO PREFORMATO PIANALE -Vale per GD- -Non a ricambio- -Con la serie completa tappeti-	FLATBED PRE-SHAPED CARPET -Valid for GD- -Not as spare part- -With the carpets complete series-	-	645114..	1	TRAVERSA SOTTOLUNOTTO RIVESTITA -Vale per BERLINETTA CDN-	COVERED TAIL REAR WINDOW CROSSPIECE -Valid for CDN BERLINETTA-
4	64308000	1	TAPPETO PARETE POSTERIORE -No per GTS- -Non a ricambio- -Con la serie completa tappeti-	REAR WALL CARPET -Not for GTS- -Not as spare part- -With the carpets complete series-	-	643971..	1	RIVESTIMENTO TRAVERSA	FRAMEWORK PADDING
-	64384900	1	TAPPETO PARETE POSTERIORE -Vale per GTS- -Non a ricambio- -Con la serie completa tappeti-	REAR WALL CARPET -Valid for GTS- -Not as spare part- -With the carpets complete series-	12	635439..	1	OSSATURA LATERALE DX. SOTTOLUNOTTO RIVESTITA -No per GTS-	R.H. SIDE COVERED TAIL REAR WINDOW CHASSIS -Not for GTS-
5	62840200	1	SOLETTA PER PIASTRA APPOGGIAPIEDI LATO PASSEGGERO -No per GD-	SLAB FOR PASSENGER SIDE FOOT REST PLATE -Not for GD-	-	645195..	1	OSSATURA LATERALE DX. SOTTOLUNOTTO RIVESTITA -Vale per GTS-	R.H. SIDE COVERED TAIL REAR WINDOW CHASSIS -Valid for GTS-
-	62986600	1	SOLETTA PER PIASTRA APPOGGIAPIEDI LATO PASSEGGERO -Vale per GD-	SLAB FOR PASSENGER SIDE FOOT REST PLATE -Valid for GD-	-	635444..	1	RIVESTIMENTO DX.	R.H. UPHOLSTERY
6	63698100	4	FERMAGLIO FISS. TAPPETO	CARPET FIXING RETAINER	13	635445..	1	OSSATURA LATERALE SX. SOTTOLUNOTTO RIVESTITA -No per GTS-	L.H. SIDE COVERED TAIL REAR WINDOW CHASSIS -Not for GTS-
7	63692000	1	SOLETTA PIASTRA APPOGGIAPIEDI LATO PILOTA -No per GD-	SLAB FOR DRIVER SIDE FOOT REST PLATE -Not for GD-	-	645198..	1	OSSATURA LATERALE SX. SOTTOLUNOTTO RIVESTITA -Vale per GTS-	L.H. SIDE COVERED TAIL REAR WINDOW CHASSIS -Valid for GTS-
8	63691900	1	PIASTRA FISS. SOLETTA -No per GD-	SLAB FASTENING PLATE -Not for GD-	-	635449..	1	RIVESTIMENTO SX.	L.H. UPHOLSTERY
9	15915807	3	VITE -No per GD-	SCREW -Not for GD-	14	643000..	1	COPRIARROTOLATORE SX. RIVESTITO	L.H. COVERED ROLLER COVER
					-	643029..	1	RIVESTIMENTO COPRIARROTOLATORE SX.	L.H. ROLLER COVER UPHOLSTERY
					-	642999..	1	COPRIARROTOLATORE DX. RIVESTITO	R.H. COVERED ROLLER COVER
					-	643026..	1	RIVESTIMENTO COPRIARROTOLATORE DX.	R.H. ROLLER COVER UPHOLSTERY
					15	—	2	MOSTRINA -Non a ricambio- -Con l'assieme cinture di sicurezza- -Vedi Tav. 128 e 129-	PLATE -Not as spare parts- -With safety belts assembly- -See Tables 128 and 129-



F355

TAPPETI ABITACOLO
PASSENGERS COMPARTMENT CARPETS

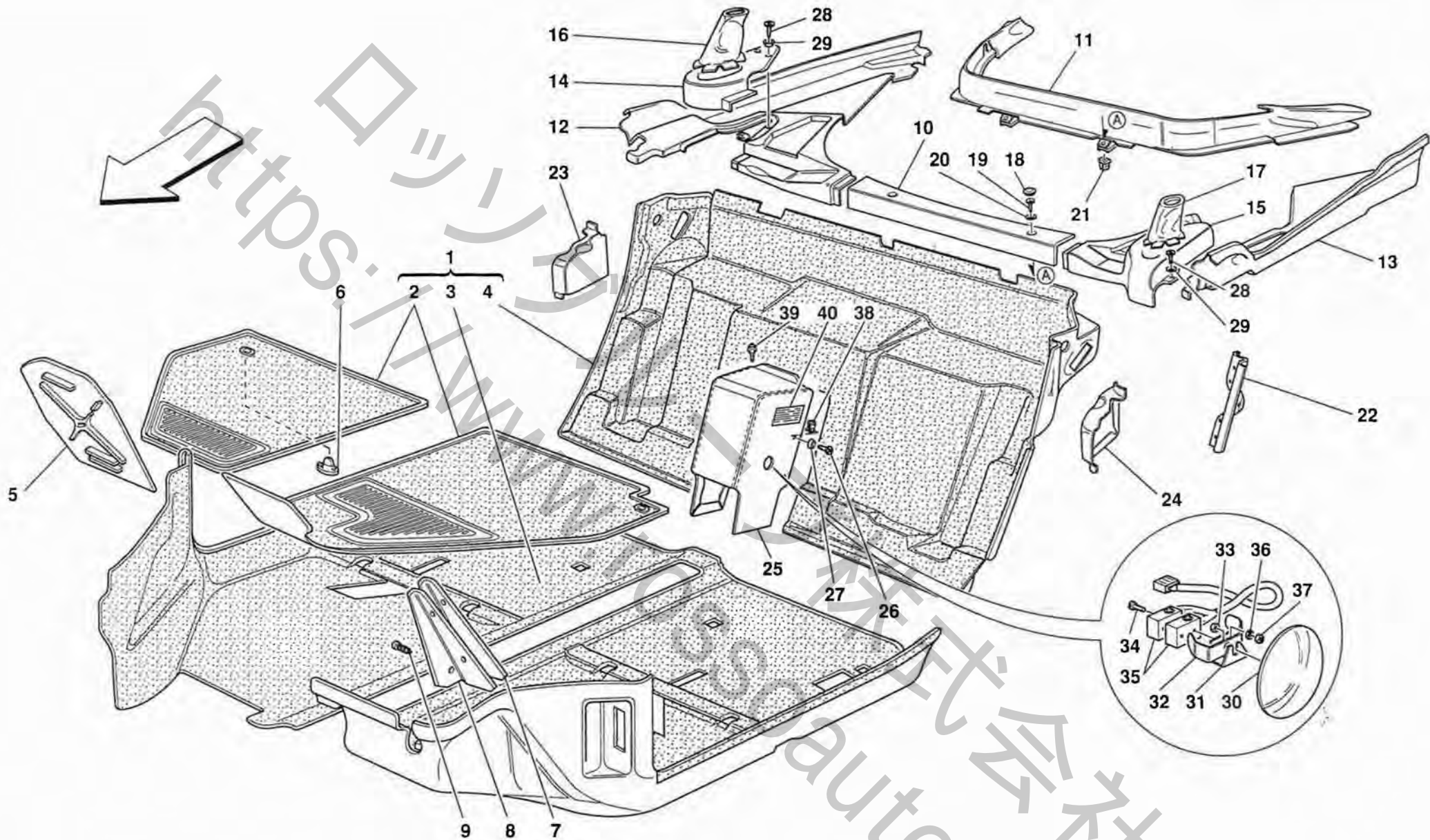
TAV. 110
DATA: GIUGNO '95

<i>Rif</i>	<i>Dis.N° Part.N°</i>	<i>Q.ty</i>	<i>Denominazione</i>	<i>Description</i>
16	14188181	4	FERMAGLIO	RETAINER
17	15958801	2	VITE	SCREW
18	12638124	2	ROSETTA	WASHER
19	14115980	6	BLOCCHETTO	BLOCK
20	64630500	5	DADO	NUT
21	63239300	1	BOTTONE COMPL. DI PERNO	BUTTON WITH PIN
			-Vale per BERLINETTA CDN-	-Valid for CDN BERLINETTA-
22	14188181	2	FERMAGLIO	RETAINER
23	15958801	4	VITE	SCREW
24	12638124	4	ROSETTA	WASHER
25	13836324	2	VITE	SCREW
26	12646601	2	ROSETTA	WASHER

<i>Rif</i>	<i>Dis.N° Part.N°</i>	<i>Q.ty</i>	<i>Denominazione</i>	<i>Description</i>
27	63605100	2	STAFFA	BRACKET
28	15900270	4	VITE	SCREW
29	63595400	2	BOCCOLA	BUSHING
			-Vale per GTS-	-Valid for GTS-
30	61632100	2	BOTTONE	BUTTON
			-Vale per GTS-	-Valid for GTS-

PER I CODICI DEI PARTICOLARI RIVESTITI IN PELLE E PER LE SERIE COMPLETE DEI TAPPETI MOQUETTE VEDI TAVOLA APPOSITA.

SEE RELEVANT TABLE FOR CODES OF PARTS COVERED IN LEATHER AND FOR THE COMPLETE SERIES OF MOQUETTE CARPETS.



F355

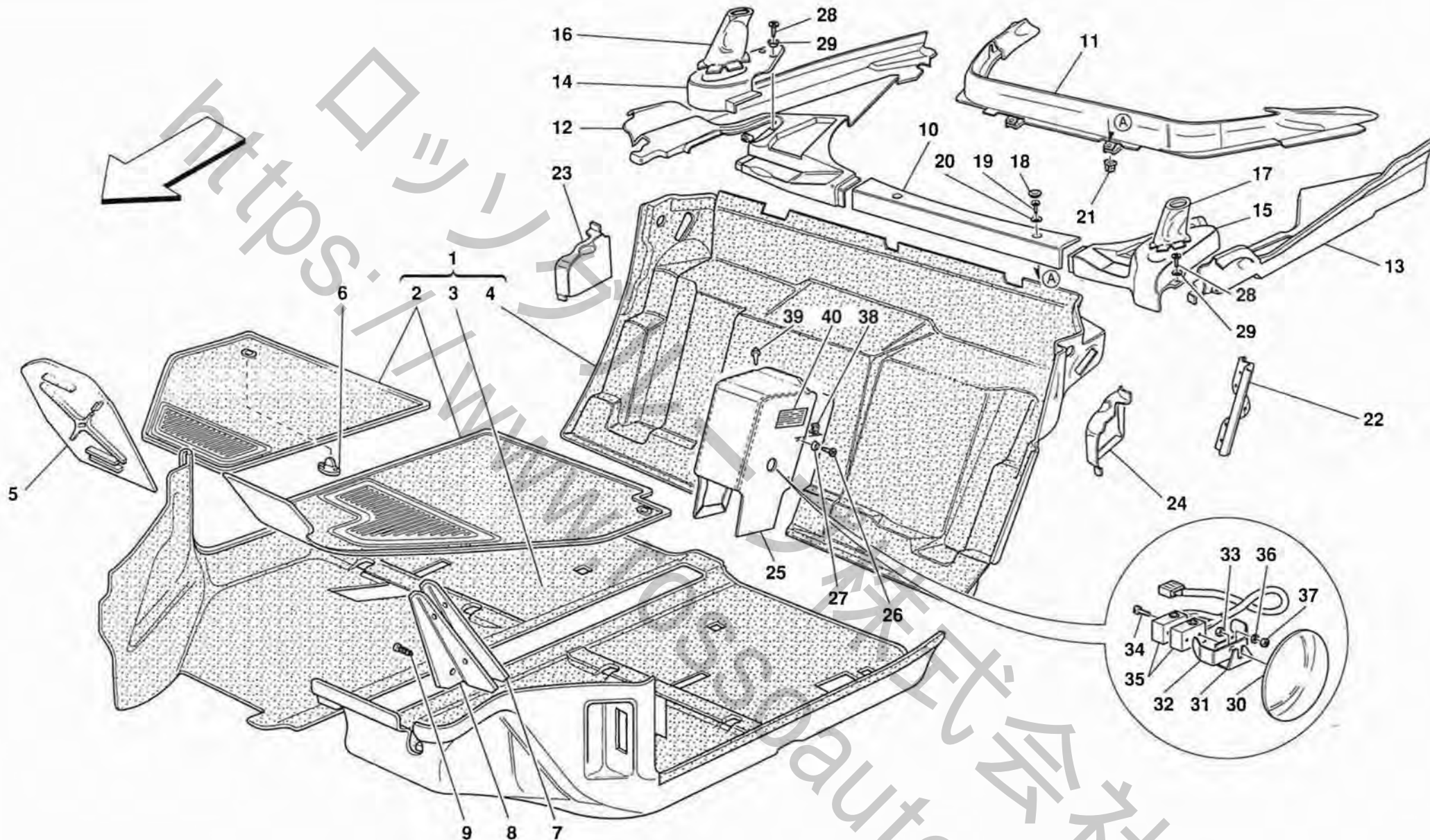
TAPPETI ABITACOLO -Vale per Spider-

PASSENGERS COMPARTMENT CARPETS -Valid for Spider-

TAV. 111

DATA: GIUGNO '95

Rif	Dis.N° Part.N°	Q.ty	Denominazione	Description	Rif	Dis.N° Part.N°	Q.ty	Denominazione	Description
1	—	-	SERIE COMPLETA TAPPETI	COMPLETE CARPETS SERIES	10	644116..	1	OSSATURA CENTRALE	CENTRAL COVERED TAIL REAR
			-Vedi Tav. "SERIE COMPLETE	-See " INNER COMPARTMENT				SOTTOLUNOTTO RIVESTITA	WINDOW CHASSIS
			TAPPETI INTERNO VETTURA"	CARPETS COMPLETE SERIES" Table-	-	644119..	1	RIVESTIMENTO OSSATURA	CENTRAL TAIL REAR WINDOW
2	649108..	1	TAPPETI MOBILI PILOTA/ PASSEGGERO	PILOT/PASSENGER MOVABLE CARPETS				CENTRALE SOTTOLUNOTTO	CHASSIS UPHOLSTERY
			-No per GD-	-Not for GD-	11	644112..	1	TRAVERSA SOTTOLUNOTTO	COVERED TAIL REAR WINDOW
								RIVESTITA	CROSSPIECE
	649109..	1	TAPPETI MOBILI PILOTA/ PASSEGGERO	PILOT/PASSENGER MOVABLE CARPETS	-	644115..	1	RIVESTIMENTO TRAVERSA	FRAMEWORK PADDING
			-Vale per GD-	-Valid for GD-	12	644120..	1	OSSATURA LATERALE DX.	R.H. SIDE COVERED TAIL REAR
								SOTTOLUNOTTO RIVESTITA	WINDOW CHASSIS
3	64307900	1	TAPPETO PREFORMATO PIANALE	FLATBED PRE-SHAPED CARPET	-	644124..	1	RIVESTIMENTO DX.	R.H. UPHOLSTERY
			-No per GD-	-Not for GD-	13	644121..	1	OSSATURA LATERALE SX.	L.H. SIDE COVERED TAIL REAR
			-Non a ricambio-	-Not as spare part-				SOTTOLUNOTTO RIVESTITA	WINDOW CHASSIS
			-Con la serie completa tappeti-	-With the carpets complete series-	-	644125..	1	RIVESTIMENTO SX.	L.H. UPHOLSTERY
	64445400	1	TAPPETO PREFORMATO PIANALE	FLATBED PRE-SHAPED CARPET	14	646623..	1	OSSATURA RICOPRIMENTO	COVERED R.H. PISTON
			-Vale per GD-	-Valid for GD-				PISTONE DX. RIVESTITA	COVER MOULDING
			-Non a ricambio-	-Not as spare part-	-	646630..	1	RIVESTIMENTO OSSATURA	R.H. PISTON COVER
			-Con la serie completa tappeti-	-With the carpets complete series-				RICOPRIMENTO PISTONE DX.	MOULDING UPHOLSTERY
4	64524000	1	TAPPETO PARETE POSTERIORE	REAR WALL CARPET	15	646624..	1	OSSATURA RICOPRIMENTO	COVERED L.H. PISTON
			-No per GD-	-Not for GD-				PISTONE SX. RIVESTITA	COVER MOULDING
			-Non a ricambio-	-Not as spare part-	-	646632..	1	RIVESTIMENTO OSSATURA	L.H. PISTON COVER
			-Con la serie completa tappeti-	-With the carpets complete series-				RICOPRIMENTO PISTONE SX.	MOULDING UPHOLSTERY
	64898700	1	TAPPETO PARETE POSTERIORE	REAR WALL CARPET	16	64663500	1	CAPPUCCIO RICOPRIMENTO	R.H. PISTON
			-Vale per GD-	-Valid for GD-				PISTONE DX.	COVER BOOT
			-Non a ricambio-	-Not as spare part-	17	64663400	1	CAPPUCCIO RICOPRIMENTO	L.H. PISTON
			-Con la serie completa tappeti-	-With the carpets complete series-				PISTONE SX.	COVER BOOT
5	62840200	1	SOLETTA PER PIASTRA APPOGGIAPIEDI LATO PASSEGGERO	SLAB FOR PASSENGER SIDE FOOT REST PLATE	18	143862	2	TAPPO	PLUG
			-No per GD-	-Not for GD-	19	15958801	2	VITE	SCREW
					20	12638124	2	ROSETTA	WASHER
	62986600	1	SOLETTA PER PIASTRA APPOGGIAPIEDI LATO PASSEGGERO	SLAB FOR PASSENGER SIDE FOOT REST PLATE	21	14115980	6	BLOCCHETTO	BLOCK
			-Vale per GD-	-Valid for GD-	22	63991700	1	MODANATURA SX.	L.H. MOULDING
					-	63991600	1	MODANATURA DX.	R.H. MOULDING
					23	644126..	1	PIASTRA DX. RICOPRIMENTO	LEVERAGE COVER
								LEVERAGGIO	R.H. PLATE
6	63698100	4	FERMAGLIO FISS. TAPPETO	CARPET FIXING RETAINER	-	644130..	1	RIVESTIMENTO PIASTRA DX.	LEVERAGE COVER
7	63692000	1	SOLETTA PIASTRA APPOGGIAPIEDI LATO PILOTA	SLAB FOR DRIVER SIDE FOOT REST PLATE				RICOPRIMENTO LEVERAGGIO	R.H. PLATE UPHOLSTERY
			-No per GD-	-Not for GD-	24	644127..	1	PIASTRA SX. RICOPRIMENTO	LEVERAGE COVER
								LEVERAGGIO	L.H. PLATE
8	63691900	1	PIASTRA FISS. SOLETTA	SLAB FASTENING PLATE	-	644131..	1	RIVESTIMENTO PIASTRA SX.	LEVERAGE COVER
			-No per GD-	-Not for GD-				RICOPRIMENTO LEVERAGGIO	L.H. PLATE UPHOLSTERY
9	15915807	3	VITE	SCREW	25	644181..	1	OSSATURA RICOPRIMENTO POMPA	COVERED HYDRAULIC TOP
			-No per GD-	-Not for GD-				IDRAULICA CAPOTE RIVESTITA	PUMP COVER MOULDING



F355

TAPPETI ABITACOLO -Vale per Spider-

PASSENGERS COMPARTMENT CARPETS -Valid for Spider-

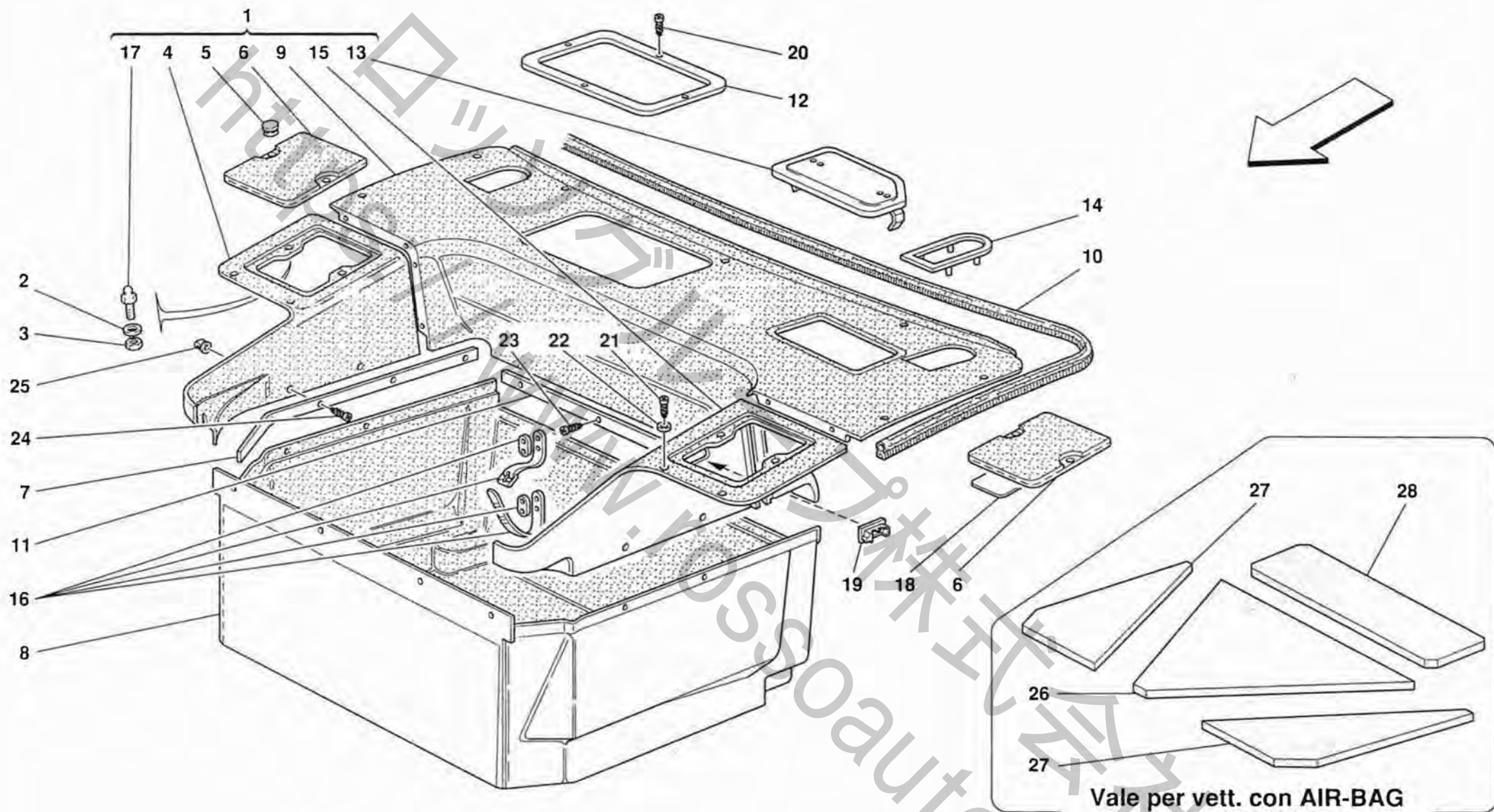
TAV. 111

DATA: GIUGNO '95

Rif	Dis... Part.N°	Q.ty	Denominazione	Description
-	644179..	1	RIVESTIMENTO OSSATURA RICOPRIMENTO POMPA IDRAULICA CAPOTE	HYDRAULIC TOP PUMP COVER MOULDING UPHOLSTERY
26	15690678	4	VITE	SCREW
27	12611342	4	ROSETTA	WASHER
28	15672606	6	VITE	SCREW
29	12611307	6	ROSETTA	WASHER
30	62305700	1	TAPPO	PLUG
31	64897200	1	STAFFETTA	BRACKET
32	62315800	1	MOLLA PER TAPPO	SPRING FOR PLUG
33	10794011	1	DADO	NUT
34	64913400	2	VITE	SCREW
35	168129	1	MICROINTERRUTTORE COMANDO EMERGENZA CAPOTE	TOP EMERGENCY CONTROL MICRO-SWITCH

Rif	Dis.N° Part.N°	Q.ty	Denominazione	Description
36	63693700	2	ROSETTA	WASHER
37	63693800	2	DADO	NUT
38	61142100	4	MOLLETTA	CLIP
39	60084407	1	MASCHIO PER BOTTONE	SCREW TAP
40	168123	1	TARGHETTA CHIUSURA CAPOTE	TOP CLOSING PLATE
-	168122	1	TARGHETTA CHIUSURA CAPOTE	TOP CLOSING PLATE
			-No per I-	-Not for I-
			-Vale solo per I-	-Valid only for I-

PER I CODICI DEI PARTICOLARI RIVESTITI IN PELLE E PER LE SERIE COMPLETE DEI TAPPETI MOQUETTE VEDI TAVOLA APPOSITA. SEE RELEVANT TABLE FOR CODES OF PARTS COVERED IN LEATHER AND FOR THE COMPLETE SERIES OF MOQUETTE CARPETS.



Vale per vett. con AIR-BAG
Valid for AIR-BAG cars

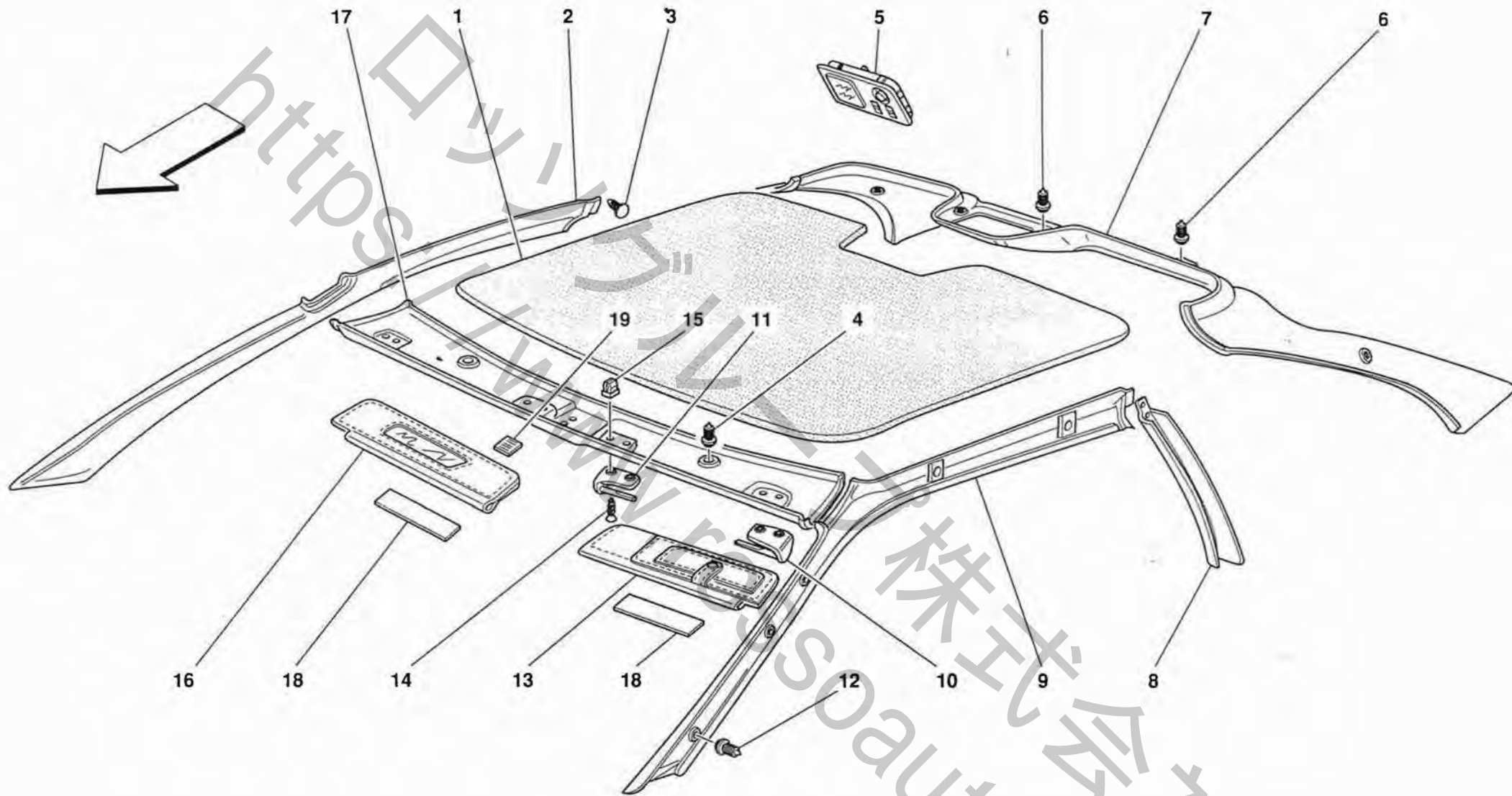
F355

TAPPETI VANO ANTERIORE
FRONT COMPARTMENT CARPETS

TAV. 112
DATA: GIUGNO '95

Rif	Dis.N° Part.N°	Q.ty	Denominazione	Description
1	64896200	1	SERIE TAPPETI VANO BAULE	CARPET SERIES FOR TRUNK COMPARTMENT
-	62886800	1	SERIE TAPPETI VANO BAULE	CARPET SERIES FOR TRUNK COMPARTMENT
2	12638124	4	ROSETTA	WASHER
3	12574121	4	DADO	NUT
4	64896400	1	TAPPETO LATERALE DX.	R.H. SIDE CARPET
-	62875600	1	TAPPETO LATERALE DX.	R.H. SIDE CARPET
5	60727200	4	BOTTONE FEMMINA	FEMALE BUTTON
6	64896600	2	COPERCHIO COMPLETO ISPEZIONE CENTRALINE	CONTROL UNIT INSPECTION COMPLETE COVER
-	62957600	2	COPERCHIO COMPLETO ISPEZIONE CENTRALINE	CONTROL UNIT INSPECTION COMPLETE COVER
7	62989400	2	MODANATURA LATERALE	SIDE MOULDING
8	62838500	1	TAPPETO FONDO BAULE	TRUNK BOTTOM CARPET
-	62875500	1	TAPPETO FONDO BAULE	TRUNK BOTTOM CARPET
-	64526900	1	TAPPETO FONDO BAULE	TRUNK BOTTOM CARPET
-	64883800	1	TAPPETO FONDO BAULE	TRUNK BOTTOM CARPET
9	64896300	1	TAPPETO POSTERIORE VANO BAULE	REAR CARPET FOR TRUNK BOTTOM
-	62875800	1	TAPPETO POSTERIORE VANO BAULE	REAR CARPET FOR TRUNK BOTTOM

Rif	Dis.N° Part.N°	Q.ty	Denominazione	Description
10	62086300	1	GUARNIZIONE	GASKET
11	62989300	1	MODANATURA CENTRALE	CENTRAL MOULDING
-	63015100	1	MODANATURA CENTRALE	CENTRAL MOULDING
12	62897400	1	MODANATURA PRESA A.C.	A.C. AIR INTAKE MOULDING
13	62957500	1	COPERCHIO ISPEZIONE OLIO FRENI	COVER FOR BRAKE OIL INSPECTION
14	62897300	2	MODANATURA	MOULDING
15	64896500	1	TAPPETO LATERALE SX.	L.H. SIDE CARPET
-	62875700	1	TAPPETO LATERALE SX.	L.H. SIDE CARPET
16	63568100	1	CINGHIA COMPLETA FISS. TROUSSE	COMPLETE BELT FOR TOOL KIT
17	60084407	4	MASCHIO PER BOTTONE	SCREW TAP
18	157508	1	TARGHETTA IDENTIFICAZIONE FUSIBILI	PLATE FOR FUSE IDENTIFICATION
19	139517	1	PLAFONIERA LUCE VANO BAULE	DOME LAMP
20	15914977	4	VITE	SCREW
21	15916805	4	VITE	SCREW
22	12611307	4	ROSETTA	WASHER
23	15917177	3	VITE	SCREW
24	15917377	6	VITE	SCREW
25	14201980	9	BLOCCETTO	BLOCK
26	64527100	1	RIEMPITIVO ANT. CENTRALE	CENTRAL FRONT FILLER
27	64527000	2	RIEMPITIVO ANT. LATERALE	LATERAL FRONT FILLER
28	64527200	1	RIEMPITIVO POST.	REAR FILLER



F355

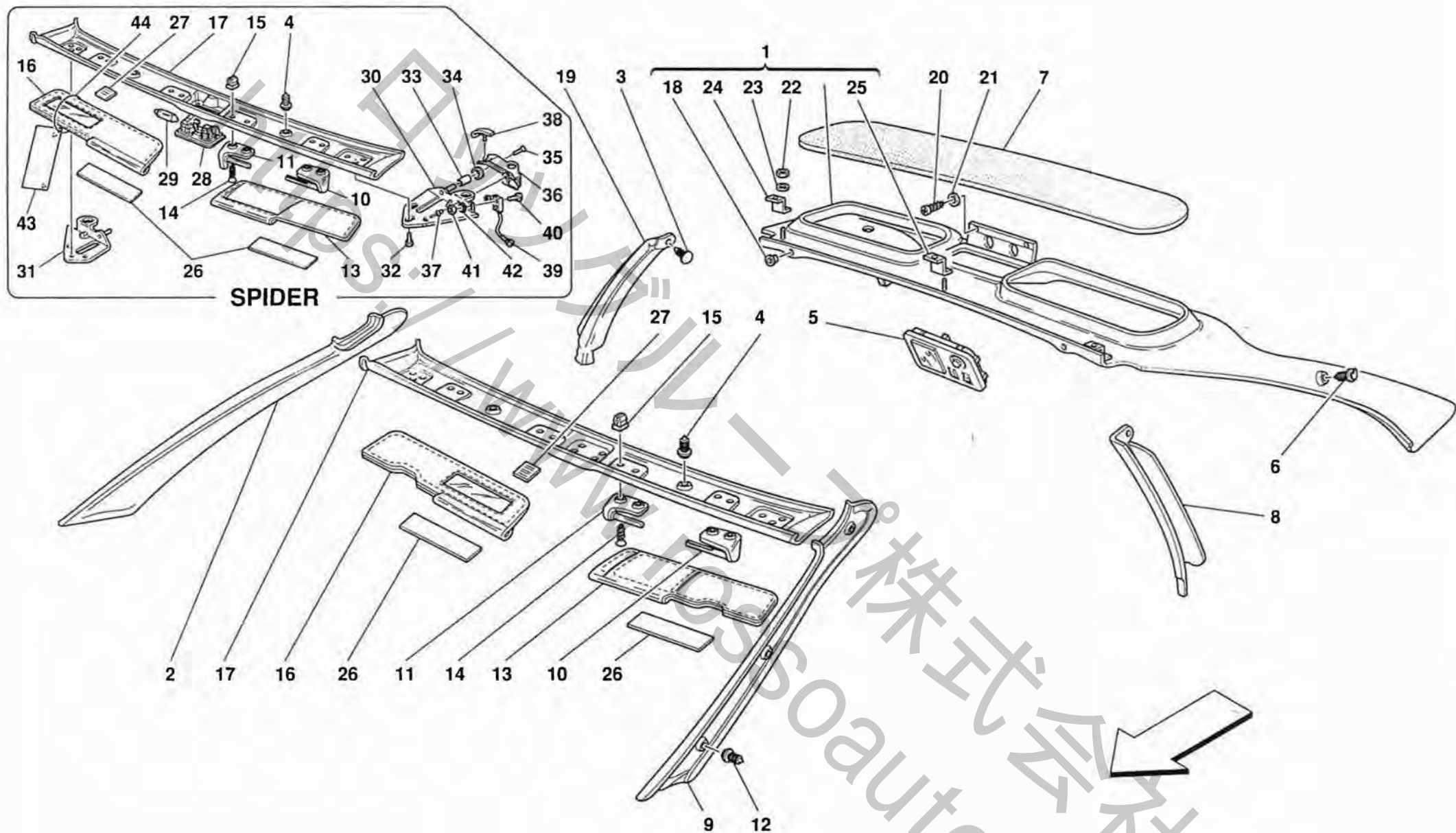
RIVESTIMENTI PADIGLIONE -Vale per BERLINETTA-

ROOF TRIMS -Valid for BERLINETTA-

TAV. 113

DATA: GIUGNO '95

Rif	Dis.N° Part.N°	Q.ty	Denominazione	Description	Rif	Dis.N° Part.N°	Q.ty	Denominazione	Description
1	64397200	1	RICOPRIMENTO PADIGLIONE -Grigio- -In stoffa-	UPHOLSTERY -Grey- -Made of cloth-	13	64465900	1	PANTINA PARASOLE SX. -No per GD-	L.H. SUN SCREEN -Not for GD-
-	64397500	1	RICOPRIMENTO PADIGLIONE -Beige- -In stoffa-	UPHOLSTERY -Beige- -Made of cloth-	-	64466100	1	PANTINA PARASOLE SX. -Vale per GD-	L.H. SUN SCREEN -Valid for GD-
-	64397400	1	RICOPRIMENTO PADIGLIONE -Blu- -In stoffa-	UPHOLSTERY -Blue- -Made of cloth-	14	12673107	8	VITE	SCREW
-	630192..	1	RICOPRIMENTO PADIGLIONE -In pelle-	UPHOLSTERY -Made of leather-	15	14215480	8	BLOCCHETTO	BLOCK
2	64398000	1	MODANATURA COPRIMONTANTE ANT. DX.	FRONT R.H. POST COVERING MOULDING	16	64465700	1	PANTINA PARASOLE DX. -No per GD-	R.H. SUN SCREEN -Not for GD-
-	64398100	1	RIVESTIMENTO DX.	R.H. LINING	-	64466300	1	PANTINA PARASOLE DX. -Vale per GD-	R.H. SUN SCREEN -Valid for GD-
3	14592587	2	BOTTONE DI FISSAGGIO	FIXING BUTTON	17	64397800	1	RICOPRIMENTO TRAVERSA SUPERIORE PARABREZZA	WINDSCREEN UPPER CROSS ARM MOULDING
4	14188181	2	FERMAGLIO	RETAINER	-	64397900	1	RIVESTIMENTO	LINING
5	134458	1	PLAFONIERA ILLUMINAZIONE ABITACOLO	ROOF LAMP FOR PASSENGERS COMPARTMENT LIGHTING	18	64764500	2	TARGHETTA USO SISTEMA AIR-BAG	AIR-BAG DEVICE USE PLATE
6	14188181	6	FERMAGLIO	RETAINER	-	64499200	2	TARGHETTA USO SISTEMA AIR-BAG	AIR-BAG DEVICE USE PLATE
7	64398600	1	MODANATURA POST. PADIGLIONE E PINNE	REAR MOULDING FOR ROOF AND FINS	-	64541500	2	TARGHETTA USO SISTEMA AIR-BAG	AIR-BAG DEVICE USE PLATE
-	64398700	1	RIVESTIMENTO	LINING	-	64541700	1	TARGHETTA MANUTENZIONE AIR-BAG	AIR-BAG SERVICING PLATE
8	64278300	1	MODANATURA COPRIMONTANTE POST. SX.	REAR L.H. POST COVERING MOULDING	19	12858090	1	TARGHETTA MANUTENZIONE AIR-BAG	AIR-BAG SERVICING PLATE
-	64398500	1	RIVESTIMENTO SX.	L.H. LINING	-	64499400	1	TARGHETTA MANUTENZIONE AIR-BAG	AIR-BAG SERVICING PLATE
-	64278200	1	MODANATURA COPRIMONTANTE POST. DX.	REAR R.H. POST COVERING MOULDING	-	64541700	1	TARGHETTA MANUTENZIONE AIR-BAG	AIR-BAG SERVICING PLATE
-	64398400	1	RIVESTIMENTO DX.	R.H. LINING	-	64541700	1	TARGHETTA MANUTENZIONE AIR-BAG	AIR-BAG SERVICING PLATE
9	64398200	1	MODANATURA COPRIMONTANTE ANT. SX.	FRONT L.H. POST COVERING MOULDING	-	64541700	1	TARGHETTA MANUTENZIONE AIR-BAG	AIR-BAG SERVICING PLATE
-	64398300	1	RIVESTIMENTO SX.	L.H. LINING	-	64541700	1	TARGHETTA MANUTENZIONE AIR-BAG	AIR-BAG SERVICING PLATE
10	61003300	2	STAFFA SX. FISS. PANTINE	L.H. BRACKET FOR SCREEN FASTENING	<p>PER I CODICI DEI PARTICOLARI RIVESTITI IN PELLE E PER LE SERIE COMPLETE DEI TAPPETI MOQUETTE VEDI TAVOLA APPOSITA.</p> <p>SEE RELEVANT TABLE FOR CODES OF PARTS COVERED IN LEATHER AND FOR THE COMPLETE SERIES OF MOQUETTE CARPETS.</p>				
11	61003200	2	STAFFA DX. FISS. PANTINE	R.H. BRACKET FOR SCREEN FASTENING					
12	14188181	10	FERMAGLIO	RETAINER					



F355

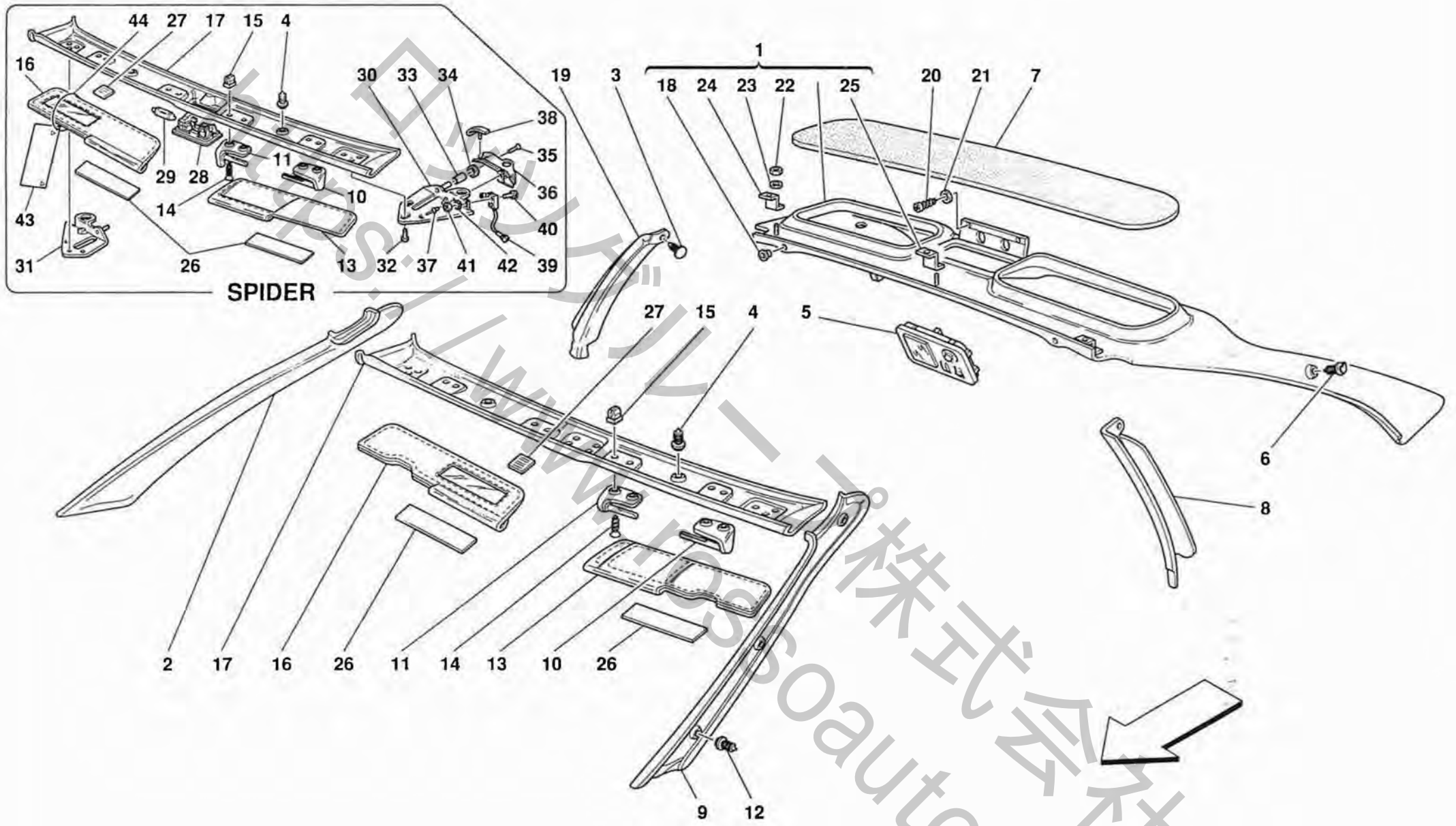
RIVESTIMENTI PADIGLIONE -Vale per GTS e Spider-
 ROOF TRIMS -Valid for GTS and Spider-

TAV.114

DATA: GIUGNO '95

Rif	Dis. N° Part. N°	Q.ty	Denominazione	Description
1	64626700	1	TRAVERSA POST. PADIGLIONE E PINNE	REAR MOULDING FOR ROOF AND FINIS
-	64625400	1	RIVESTIMENTO	LINING
2	64626900	1	MODANATURA COPRIMONTANTE ANT. DX.	FRONT R.H. POST COVERING MOULDING
-	64525100	1	MODANATURA COPRIMONTANTE ANT. DX.	FRONT R.H. POST COVERING MOULDING
-	64625600	1	RIVESTIMENTO DX.	R.H. LINING
-	64525200	1	RIVESTIMENTO DX.	R.H. LINING
3	14592587	2	BOTTONE DI FISSAGGIO	FIXING BUTTON
4	14188181	2	FERMAGLIO	RETAINER
5	134458	1	PLAFONIERA ILLUMINAZIONE ABITACOLO	ROOF LAMP FOR PASSENGERS COMPARTMENT LIGHTING
6	14188181	2	FERMAGLIO	RETAINER
7	64486400	1	RIVESTIMENTO PADIGLIONE POST. -Grigio-	REAR ROOF LINING -Grey-
-	64486500	1	RIVESTIMENTO PADIGLIONE POST. -Beige-	REAR ROOF LINING -Beige-
-	64486600	1	RIVESTIMENTO PADIGLIONE POST. -Rosso-	REAR ROOF LINING -Red-
-	64486700	1	RIVESTIMENTO PADIGLIONE POST. -Blu-	REAR ROOF LINING -Blue-
-	633215	1	RIVESTIMENTO PADIGLIONE POST. -In stoffa-	REAR ROOF LINING -Made of cloth-
8	64519200	1	MODANATURA COPRIMONTANTE POST. SX.	REAR L.H. POST COVERING MOULDING
-	64519400	1	RIVESTIMENTO SX.	L.H. LINING
9	64626800	1	MODANATURA COPRIMONTANTE ANT. SX.	FRONT L.H. POST COVERING MOULDING
-	64525300	1	MODANATURA COPRIMONTANTE ANT. SX.	FRONT L.H. POST COVERING MOULDING

Rif	Dis. N° Part. N°	Q.ty	Denominazione	Description
-	64625500	1	RIVESTIMENTO SX. -Vale per GTS-	L.H. LINING -Valid for GTS-
-	64525400	1	RIVESTIMENTO SX. -Vale per Spider-	L.H. LINING -Valid for Spider-
10	61003300	2	STAFFA SX. FISS. PANTINE	L.H. BRACKET FOR SCREEN FASTENING
11	61003200	2	STAFFA DX. FISS. PANTINE	R.H. BRACKET FOR SCREEN FASTENING
12	14188181	6	FERMAGLIO	RETAINER
13	64507700	1	PANTINA PARASOLE SX. -Vale per GTS-	L.H. SUN SCREEN -Valid for GTS-
-	64514700	1	PANTINA PARASOLE SX. -Vale per GTS-	L.H. SUN SCREEN -Valid for GTS-
-	63922200	1	PANTINA PARASOLE SX. -Vale per Spider-	L.H. SUN SCREEN -Valid for Spider-
-	64270500	1	PANTINA PARASOLE SX. -Vale per Spider-	L.H. SUN SCREEN -Valid for Spider-
14	12673107	8	VITE	SCREW
15	14215480	8	BLOCCHETTO	BLOCK
16	64507600	1	PANTINA PARASOLE DX. -Vale per GTS-	R.H. SUN SCREEN -Valid for GTS-
-	64514800	1	PANTINA PARASOLE DX. -Vale per GTS-	R.H. SUN SCREEN -Valid for GTS-
-	63921900	1	PANTINA PARASOLE DX. -Vale per Spider-	R.H. SUN SCREEN -Valid for Spider-
-	64270700	1	PANTINA PARASOLE DX. -Vale per Spider-	R.H. SUN SCREEN -Valid for Spider-
17	64626600	1	RICOPRIMENTO TRAVERSA SUPERIORE PARABREZZA -Vale per GTS-	WINDSCREEN UPPER CROSS ARM MOULDING -Valid for GTS-
-	64790400	1	RICOPRIMENTO TRAVERSA SUPERIORE PARABREZZA -Vale per Spider-	WINDSCREEN UPPER CROSS ARM MOULDING -Valid for Spider-



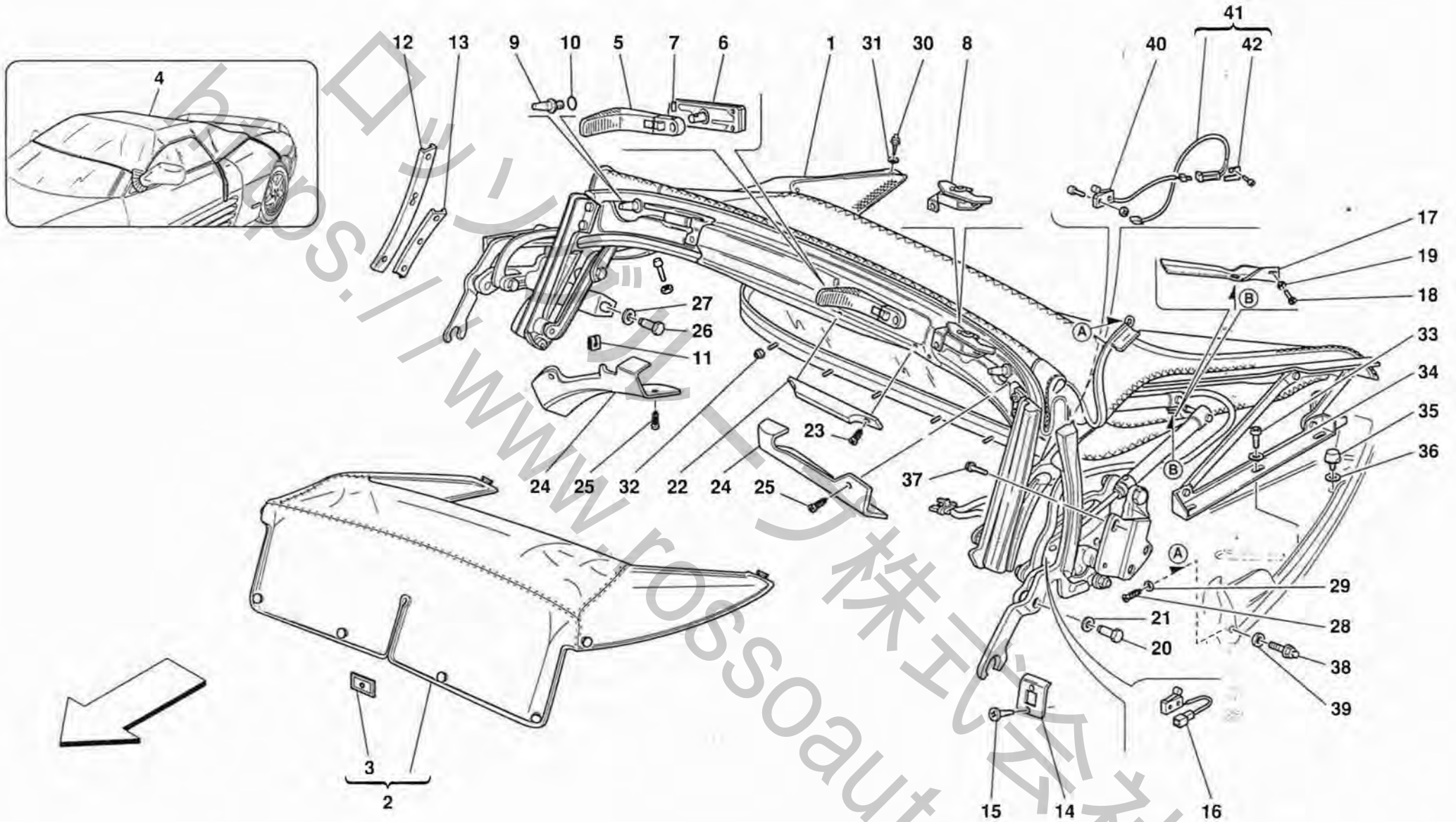
RIVESTIMENTI PADIGLIONE -Vale per GTS e Spider-
 ROOF TRIMS -Valid for GTS and Spider-

TAV.114
 DATA: GIUGNO '95

Rif	Dis.N° Part.N°	Q.ty	Denominazione	Description
-	64625200	1	RIVESTIMENTO -Vale per GTS-	LINING -Valid for GTS-
-	64525000	1	RIVESTIMENTO -Vale per Spider-	LINING -Valid for Spider-
18	63685400	2	BOCCOLA	BUSHING
19	64518900	1	MODANATURA COPRIMONTANTE POST. DX.	REAR R.H. POST COVERING MOULDING
-	64519100	1	RIVESTIMENTO DX.	R.H. LINING
20	15688375	2	VITE	SCREW
21	12638124	2	ROSETTA	WASHER
22	10794011	2	DADO	NUT
23	12638124	2	ROSETTA	WASHER
24	63309700	2	ANGOLARE LATERALE	LATERAL ANGLE PIECE
25	63309600	1	ANGOLARE CENTRALE	CENTRAL ANGLE PIECE
26	64764500	2	TARGHETTA USO SISTEMA AIR-BAG -No per USA e CDN-	AIR-BAG DEVICE USE PLATE -Not for USA and CDN-
-	64499200	2	TARGHETTA USO SISTEMA AIR-BAG -Vale per USA-	AIR-BAG DEVICE USE PLATE -Valid for USA-
-	64541500	2	TARGHETTA USO SISTEMA AIR-BAG -Vale per CDN-	AIR-BAG DEVICE USE PLATE -Valid for CDN-
27	12858090	1	TARGHETTA MANUTENZIONE AIR-BAG -No per USA e CDN-	AIR-BAG SERVICING PLATE -Not for USA and CDN-
-	64499400	1	TARGHETTA MANUTENZIONE AIR-BAG -Vale per USA-	AIR-BAG SERVICING PLATE -Valid for USA-
-	64541700	1	TARGHETTA MANUTENZIONE AIR-BAG -Vale per CDN-	AIR-BAG SERVICING PLATE -Valid for CDN-
28	61737400	1	PLAFONIERA ILLUMINAZIONE ABITACOLO -Vale per Spider-	ROOF LAMP FOR PASSENGERS COMPARTMENT LIGHTING -Valid for Spider-
29	50100205	1	LAMPADINA -Vale per Spider-	BULB -Valid for Spider-
30	63682800	1	RISCONTRO CHIUSURA CAPOTE SX. -Vale per Spider-	L.H. TOP LOCKING STRIKER PLATE -Valid for Spider-
31	63682700	1	RISCONTRO CHIUSURA CAPOTE DX. -Vale per Spider-	R.H. TOP LOCKING STRIKER PLATE -Valid for Spider-

Rif	Dis.N° Part.N°	Q.ty	Denominazione	Description
32	64830600	6	VITE -Vale per Spider-	SCREW -Valid for Spider-
33	63683100	2	BOCCOLA -Vale per Spider-	BUSHING -Valid for Spider-
34	63683000	2	ROSETTA -Vale per Spider-	WASHER -Valid for Spider-
35	63682900	2	VITE -Vale per Spider-	SCREW -Valid for Spider-
36	63682100	1	RISCONTRO SX. -Vale per Spider-	L.H. STRIKER PLATE -Valid for Spider-
-	63682000	1	RISCONTRO DX. -Vale per Spider-	R.H. STRIKER PLATE -Valid for Spider-
37	60310703	2	RIVETTO -Vale per Spider-	RIVET -Valid for Spider-
38	64666300	2	GOMMA BATTUTA TRAVERSA CAPOTE -Vale per Spider-	TOP CROSS MEMBER RABBET RUBBER -Valid for Spider-
39	155303	1	MICROINTERRUTTORE ANT. SX. -Vale per Spider-	L.H. FRONT MICRO-SWITCH -Valid for Spider-
40	63992900	2	VITE -Vale per Spider-	SCREW -Valid for Spider-
41	63693800	2	DADO -Vale per Spider-	NUT -Valid for Spider-
42	63693700	2	ROSETTA -Vale per Spider-	WASHER -Valid for Spider-
43	64880500	1	TARGHETTA USO CAPOTE -Vale per Spider- -No per I-	TOP USE PLATE -Valid for Spider- -Not for I-
-	64794100	1	TARGHETTA USO CAPOTE -Vale per Spider I-	TOP USE PLATE -Valid for I Spider-
44	64913000	1	FASCETTA -Vale per Spider-	CLAMP -Valid for Spider-

PER I CODICI DEI PARTICOLARI RIVESTITI IN PELLE E PER LE SERIE COMPLETE DEI TAPPETI MOQUETTE VEDI TAVOLA APPOSITA. SEE RELEVANT TABLE FOR CODES OF PARTS COVERED IN LEATHER AND FOR THE COMPLETE SERIES OF MOQUETTE CARPETS.



F355

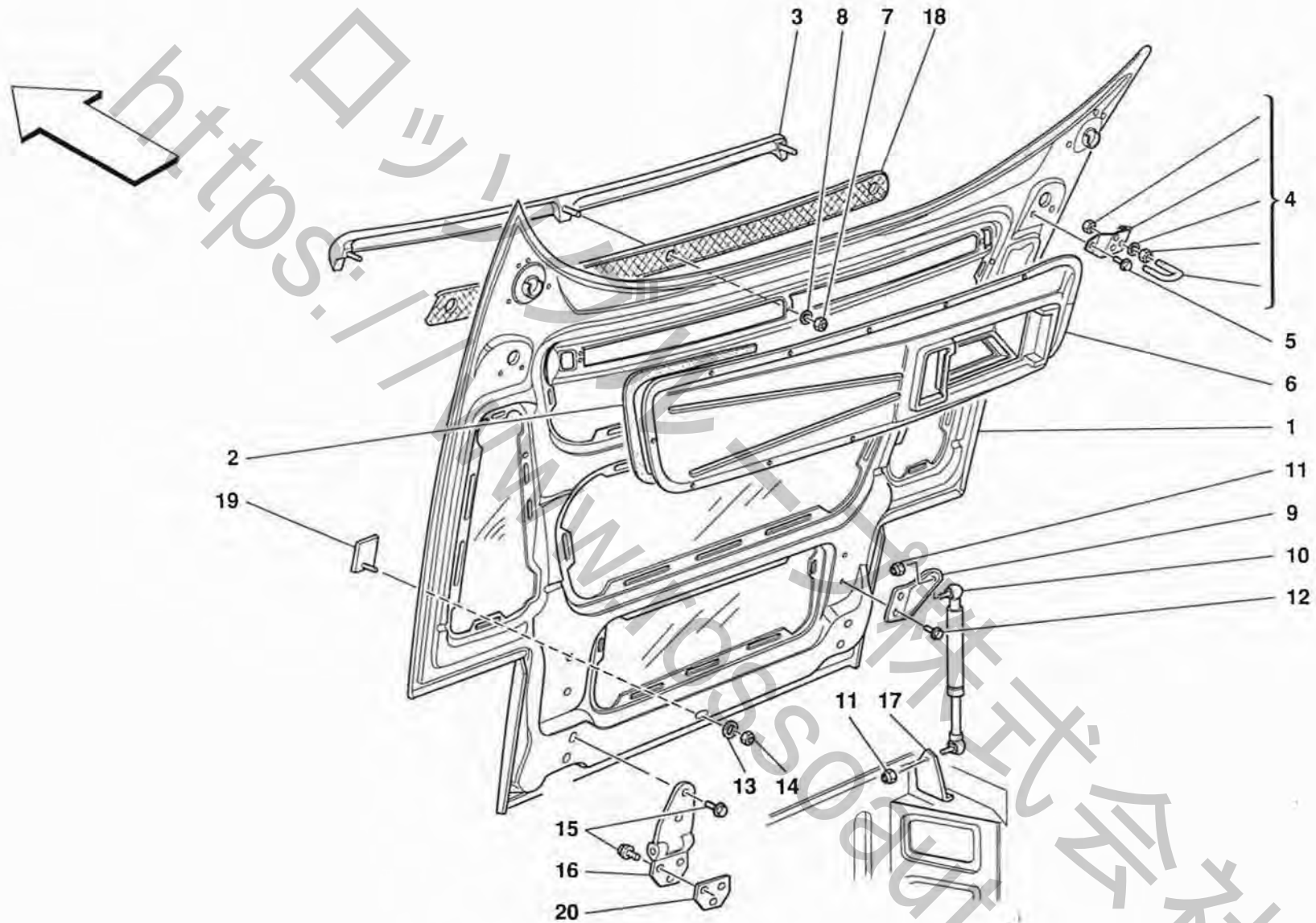
CAPOTE -Vale per Spider-
TOP -Valid for Spider-

TAV. 115
DATA: GIUGNO '95

Rif	Dis.N° Part.N°	Q.ty	Denominazione	Description
1	64528100	1	CAPOTE COMPLETA -Nera- -No per GD-	COMPLETE CAPOTE -Black- -Not for GD-
-	64897700	1	CAPOTE COMPLETA -Nera- -Vale per GD-	COMPLETE CAPOTE -Black- -Valid for GD-
-	64528150	1	CAPOTE COMPLETA -Bleu- -No per GD-	COMPLETE CAPOTE -Blue- -Not for GD-
-	64897750	1	CAPOTE COMPLETA -Bleu- -Vale per GD-	COMPLETE CAPOTE -Blue- -Valid for GD-
2	64891800	1	COPRICAPOTE COMPLETA DI BUSTA	TOP COVER COMPLETE OF TOP COVER BAG
3	63239500	1	BOTTONE CON VELCRO	BUTTON
4	63685100	1	TONNEAU COVER	TONNEAU COVER
5	64793800	1	MANIGLIA CAPOTE	HANDLE FOR TOP
6	63966100	1	SCATOLA BLOCCHETTO COMANDO COMPLETA	COMPLETE CONTROL BLOCK BOX
7	63990900	1	PERNO	PIN
8	63614100	1	GANCIO CHIUSURA CAPOTE SX.	L.H. TOP CLOSING HOOK
-	63614200	1	GANCIO CHIUSURA CAPOTE DX.	R.H. TOP CLOSING HOOK
9	64667100	2	CONO CENTRAGGIO	CENTERING CONE
10	123622	2	GUARNIZIONE O.R.	O.R. GASKET
11	14189874	2	MOLLETTA PER VITE	CLIP FOR SCREW
12	63613200	1	PROFILO PORTAGOMMA ANT. DX.	R.H. FRONT RUBBER HOLDER PROFILE
-	63613400	1	PROFILO PORTAGOMMA ANT. SX.	L.H. FRONT RUBBER HOLDER PROFILE
13	63612700	1	PROFILO PORTAGOMMA POST. DX.	R.H. REAR RUBBER HOLDER PROFILE
-	63612800	1	PROFILO PORTAGOMMA POST. SX.	L.H. REAR RUBBER HOLDER PROFILE
14	64626000	2	LAMIERINO	PLATE
15	15914770	4	VITE	SCREW
16	163780	1	MICROINTERRUTTORE	MICROSWITCH
17	64462100	1	RICOPRIMENTO PISTONE DX.	R.H. PISTON COVER

Rif	Dis.N° Part.N°	Q.ty	Denominazione	Description
-	64462200	1	RICOPRIMENTO PISTONE SX.	L.H. PISTON COVER
18	13273872	2	VITE	SCREW
19	10519278	2	ROSETTA	WASHER
20	63639600	4	PERNO mm. 18	PIN mm. 18
-	63639800	10	PERNO mm. 21	PIN mm. 21
-	63639500	2	PERNO mm. 23	PIN mm. 23
-	63678400	4	PERNO mm. 25	PIN mm. 25
-	63639700	8	PERNO mm. 27	PIN mm. 27
-	63678500	2	PERNO mm. 33	PIN mm. 33
21	63639900	28	ROSETTA mm. 1,3	WASHER mm.1,3
22	64243400	1	MANIGLIA SOLLEVAMENTO CAPOTE	TOP LIFTING HANDLE
23	60702800	2	VITE	SCREW
24	64781400	1	MODANATURA LATERALE DX.	R.H. LATERAL MOULDING
-	64781500	1	MODANATURA LATERALE SX.	L.H. LATERAL MOULDING
25	15690678	2	VITE mm. 13	SCREW mm. 13
-	15909478	2	VITE mm. 19	SCREW mm. 19
26	63936600	6	VITE	SCREW
27	12642078	6	ROSETTA	WASHER
28	15902678	2	VITE	SCREW
29	14496277	2	ROSETTA	WASHER
30	61632100	4	MASCHIO PER BOTTONE	SCREW TAP
31	61195300	4	ROSETTA	WASHER
32	14058311	5	DADO	NUT
33	63936600	6	VITE	SCREW
34	12646778	6	ROSETTA	WASHER
35	62167300	2	TAMPONE ARRESTO	STOP BUFFER
36	62167200	2	RONDELLA	WASHER
37	13838817	6	VITE	SCREW
38	63961100	2	MASCHIO PER BOTTONE	SCREW TAP
39	61195300	2	ROSETTA	WASHER
40	64416900	1	SENSORE SU ARCO	SENSOR
41	64667000	1	PROLUNGA PER SENSORE	EXTENSION FOR SENSOR
42	155751	1	CLIP	CLIP

Rif	Dis.N° Part.N°	Q.ty	Denominazione	Description	Rif	Dis.N° Part.N°	Q.ty	Denominazione	Description
-	64418200	1	CIRCUITO IDRAULICO COMPLETO	COMPLETE HYDRAULIC CIRCUIT	-	125242	1	FUSIBILE 15 A.	15 A. FUSE
A	64967100	1	GRUPPO COMPLETO POMPA, CILINDRI PRINCIPALI E TUBI	PUMP, MAIN CYLINDER AND PIPES COMPLETE ASSEMBLY				-Blu-	-Blue-
1	64967200	1	CILINDRO SECONDARIO DX.	R.H. SECONDARY CYLINDER	18	157992	2	TELERUTTORE	RELAY
2	64967300	1	CILINDRO SECONDARIO SX.	L.H. SECONDARY CYLINDER	19	155184	2	STAFFETTA	BRACKET
3	168857	1	TUBO (L) DA VALVOLA A POMPA	(L) PIPE FROM VALVE TO PUMP	20	13835814	2	VITE FISS. BLOCCHETTI	BLOCKS FIXING SCREW
4	168858	1	TUBO (N) DA VALVOLA A POMPA	(N) PIPE FROM VALVE TO PUMP	21	168881	1	KIT COMPLETO VASCHETTA	CUP COMPLETE KIT
5	168859	1	TUBO (K) DA VALVOLA A CILINDRO PRINCIPALE SX.	(K) PIPE FROM VALVE TO L.H. MAIN CYLINDER	22	168884	4	VITE FISS. PIASTRINO	SMALL PLATE FIXING SCREW
6	168860	1	TUBO (O) DA VALVOLA A CILINDRO SECONDARIO DX.	(O) PIPE FROM VALVE TO R.H. SECONDARY CYLINDER	23	168885	4	PIASTRINO	SMALL PLATE
7	168861	1	TUBO (P) DA VALVOLA A CILINDRO SECONDARIO DX.	(P) PIPE FROM VALVE TO R.H. SECONDARY CYLINDER	24	168886	7	GUARNIZIONE O.R.	O.R. GASKET
8	168862	1	TUBO (R) DA VALVOLA A CILINDRO SECONDARIO SX.	(R) PIPE FROM VALVE TO L.H. SECONDARY CYLINDER	25	168887	7	SEEGER	SEEGER
9	168863	1	TUBO (S) DA VALVOLA A CILINDRO SECONDARIO SX.	(S) PIPE FROM VALVE TO L.H. SECONDARY CYLINDER	26	14359021	2	VITE FISS. ELETTROVALVOLA	SOLENOID VALVE FIXING SCREW
10	168864	1	TUBO (V) DA POMPA A CILINDRO PRINCIPALE DX.	(V) PIPE FROM PUMP TO R.H. MAIN CYLINDER	27	168888	1	ELETTROVALVOLA COMPLETA	COMPLETE SOLENOID VALVE
11	168865	-	RACCORDO 90°	90° UNION	28	64662600	1	PIASTRINO FISS. ELETTROVALVOLA	SOLENOID VALVE FIXING SMALL PLATE
12	168866	-	GUARNIZIONE O.R. PER RACCORDO	O.R. GASKET FOR UNION	29	10794011	2	DADO	NUT
13	141699	8	MOLLETTA	CLIP	30	14496201	2	ROSETTA	WASHER
14	64660200	1	CENTRALINA ELETTRONICA	ELECTRONIC CONTROL STATION	31	168889	2	DISTANZIALE	SPACER
15	13833271	2	VITE FISS. CENTRALINA	CONTROL STATION FIXING SCREW	32	168890	2	BOCCOLA IN GOMMA	RUBBER BUSHING
16	14496324	2	ROSETTA	WASHER	33	168891	1	PIASTRA FISS. POMPA	PUMP FIXING PLATE
17	131941	1	FUSIBILE 30 A. -Verde- -Per motore mov. capote-	30 A. FUSE -Green- -For top movement engine-	34	14496401	2	ROSETTA	WASHER
					35	104030	2	DADO	NUT
					36	110381	6	FASCETTA	CLAMP



F355

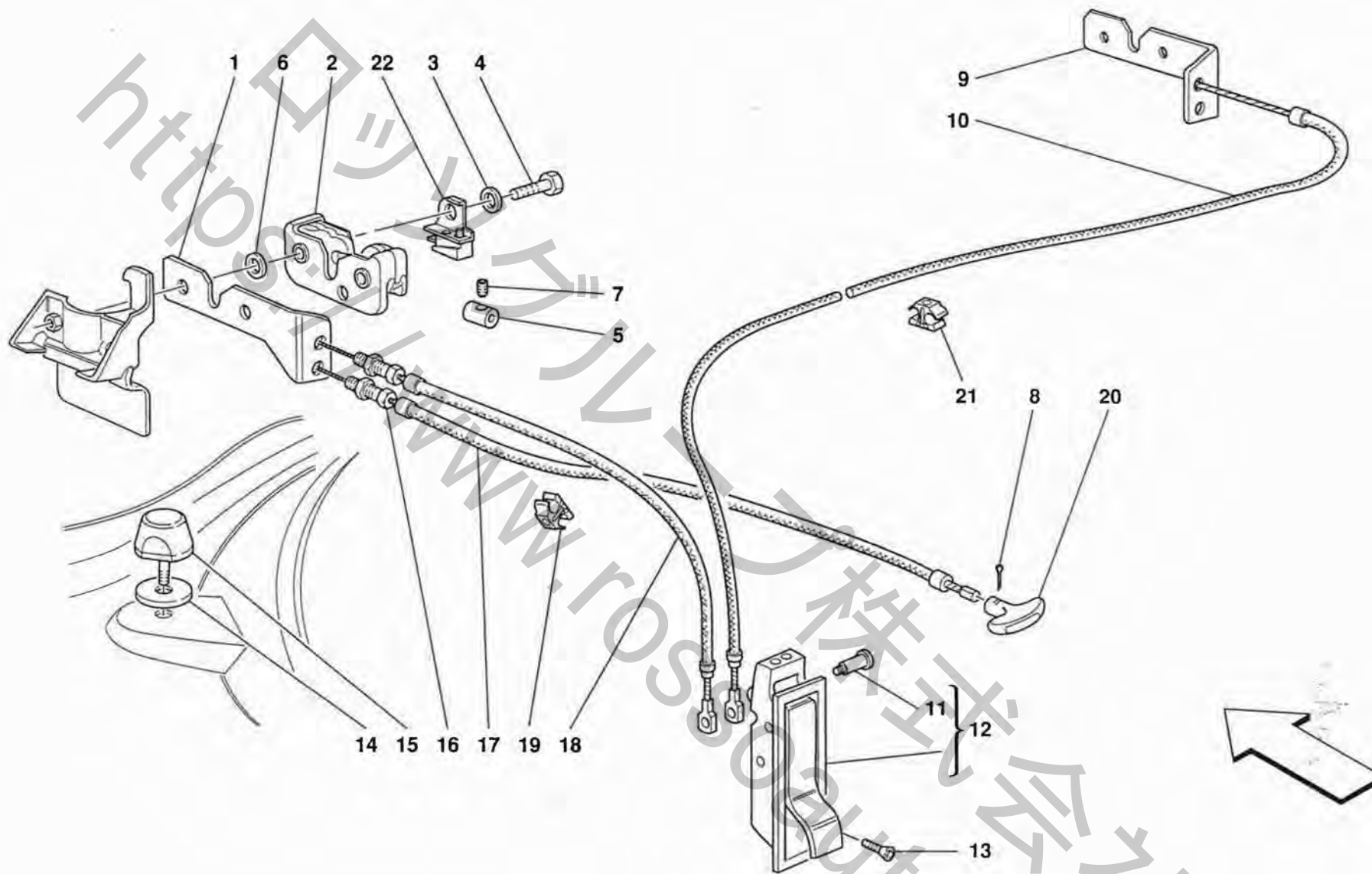
COFANO ANTERIORE
FRONT HOOD

TAV. 117

DATA: GIUGNO '95

Rif	Dis.N° Part.N°	Q.ty	Denominazione	Description
1	64304800	1	COFANO ANT. COMPLETO LASTRATO	SHEETED COMPLETE FRONT HOOD BONNET
2	63001600	1	GUARNIZIONE	GASKET
3	64122500	1	MOSTRINA COMPLETA	COMPLETE PLATE
4	62086000	2	SCONTRINO CHIUSURA COFANO COMPLETO	COMPLETE HOOD CLOSING STRIKER
5	13836324	4	VITE	SCREW
6	62120300	1	CONVOGLIATORE ARIA -No per GD-	AIR CONVEYOR -Not for GD-
-	62142500	1	CONVOGLIATORE ARIA -Vale per GD-	AIR CONVEYOR -Valid for GD-
7	14048615	3	DADO	NUT
8	14496377	3	ROSETTA	WASHER
9	62059300	1	STAFFA DX.	R.H. BRACKET

Rif	Dis.N° Part.N°	Q.ty	Denominazione	Description
-	62921300	1	STAFFA SX.	L.H. BRACKET
10	62175300	2	AMMORTIZZATORE PER COFANO	HOOD SHOCK ABSORBER
11	16104411	4	DADO	NUT
12	13836324	4	VITE	SCREW
13	10519377	1	ROSETTA	WASHER
14	12574115	1	DADO	NUT
15	13836721	10	VITE	SCREW
16	62062600	2	CERNIERA COFANO ANT.	FRONT HOOD BONNET HINGE
17	62096400	1	STAFFA DX.	R.H. BRACKET
-	62096500	1	STAFFA SX.	L.H. BRACKET
18	64305200	1	GRIGLIA	GRILLE
19	62673100	1	FREGIO ANT.	FRONT ORNAMENT
20	62757500	2	ZINCFOIL	ZINCFOIL



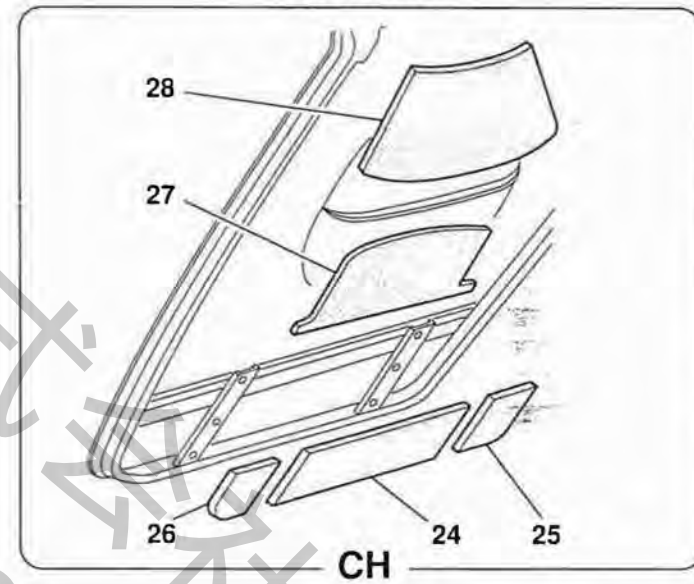
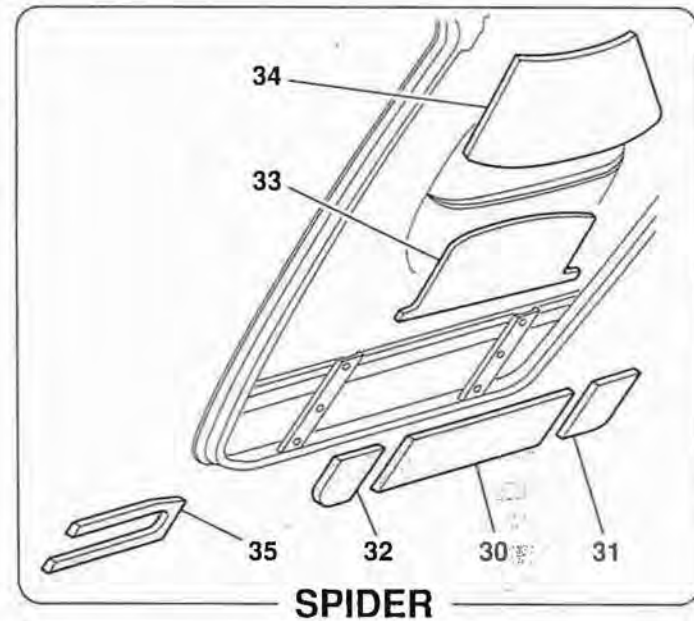
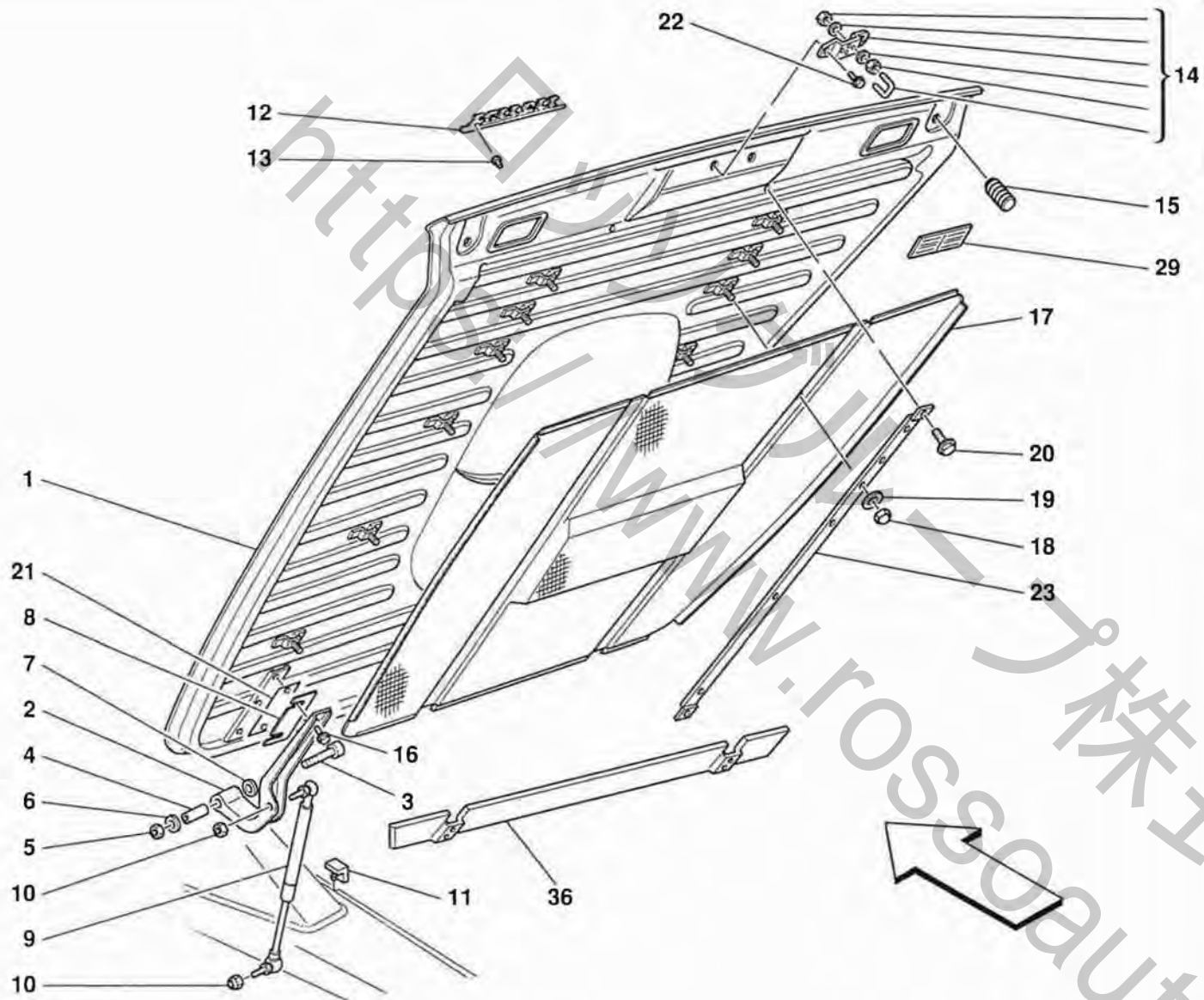
F355

DISPOSITIVO APERTURA COFANO ANTERIORE
 OPENING DEVICE FOR FRONT HOOD

TAV. 118

DATA: GIUGNO '95

<i>Rif</i>	<i>Dis.N° Part.N°</i>	<i>Q.ty</i>	<i>Denominazione</i>	<i>Description</i>	<i>Rif</i>	<i>Dis.N° Part.N°</i>	<i>Q.ty</i>	<i>Denominazione</i>	<i>Description</i>
1	62616400	1	STAFFA SX.	L.H. BRACKET	14	62167200	2	RONDELLA	WASHER
2	60277407	2	SERRATURA COFANO ANT.	FRONT BONNET LOCK	15	63238800	2	TAMPONE	PAD
3	10615474	4	ROSETTA	WASHER	16	62828900	4	REGISTRO PER CAVI	REGISTER FOR LOCK
4	10903021	4	VITE	SCREW				SERRATURE	CABLES
5	60276607	2	MORSETTO	CONNECTION	17	62828300	1	CAVO SICURA DX. COFANO	R.H. CABLE FOR FRONT HOOD
6	12644424	4	ROSETTA	WASHER				ANT. COMPLETO	SAFETY LOCK
7	60276805	2	GRANO	DOWEL	-	62828600	1	CAVO SICURA SX. COFANO	L.H. CABLE FOR FRONT HOOD
8	60711000	2	MOLLETTA	CLIP				ANT. COMPLETO	SAFETY LOCK
9	62616300	1	STAFFA DX.	R.H. BRACKET	18	62828000	1	CAVO SX. APERTURA COFANO	L.H. CABLE FOR FRONT HOOD
10	62827700	1	CAVO DX. APERTURA COFANO	R.H. CABLE FOR FRONT HOOD				ANT.	OPENING
			ANT.	OPENING	19	141699	1	MOLLETTA	CLIP
11	62552200	1	PERNO FISS. CAVO	PIN FOR CABLE FASTENING	20	60710900	2	MANIGLIA DI SOCCORSO	EMERGENCY HANDLE
12	64308600	1	MANIGLIA APERTURA COFANO	HANDLE FOR FRONT HOOD	21	141699	5	MOLLETTA	CLIP
			ANT.	OPENING	22	61501200	1	INTERRUTTORE	SWITCH
13	14440837	1	VITE	SCREW					



F355

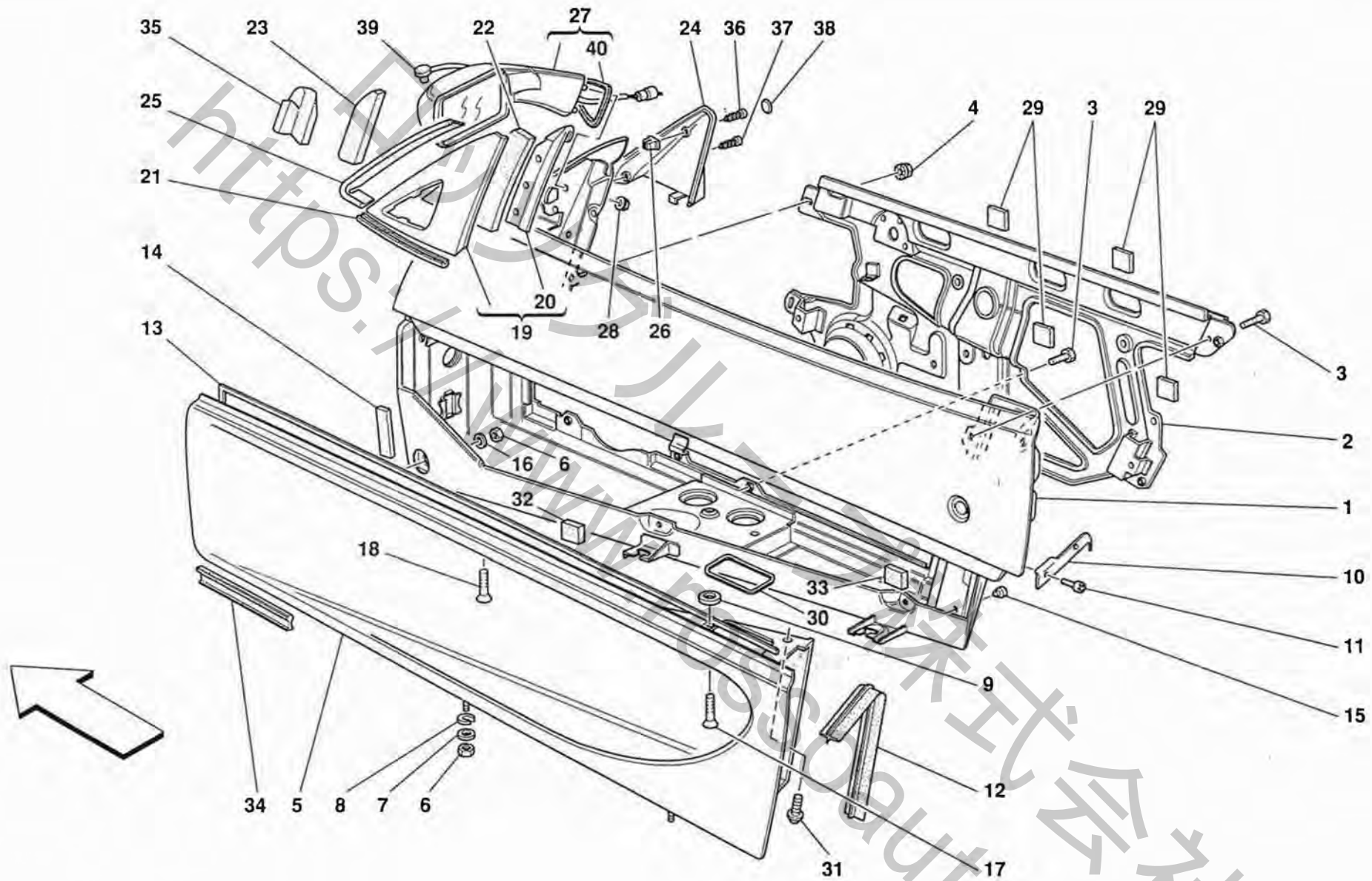
COFANO POSTERIORE
REAR HOOD

TAV. 119

DATA: GIUGNO '95

Rif	Dis.№ Part.№	Q.ty	Denominazione	Description
1	64120300	1	COFANO MOTORE	ENGINE HOOD BONNET
2	64104100	1	CERNIERA COFANO MOTORE SX.	L.H. ENGINE HOOD BONNET HINGE
-	64239600	1	CERNIERA COFANO MOTORE DX.	R.H. ENGINE HOOD BONNET HINGE
3	62054500	2	PERNO	PIN
4	62059400	2	BOCCOLA	BUSHING
5	12574211	2	DADO	NUT
6	10519424	2	ROSETTA	WASHER
7	62093000	4	ROSETTA	WASHER
8	64110900	4	DISTANZIALE	SPACER
9	62175300	2	AMMORTIZZATORE PER COFANO	HOOD SHOCK ABSORBER
10	101139	4	DADO	NUT
11	63341400	2	GOMMINO PARACOLPI	ANTI-SHOCK RUBBER
12	61025000	1	SIGLA "FERRARI"	"FERRARI" MARK
13	60324506	2	MOLLETTA	CLIP
14	62116400	1	SCONTRINO CHIUSURA COFANO	HOOD CLOSING STRIKER
15	62167600	2	TASSELLO	SMALL BLOCK
16	13836324	4	VITE	SCREW
17	64104300	1	RIPARO INFERIORE COFANO	HOOD LOWER GUARD
18	168698	15	DADO	NUT
19	12624177	15	ROSETTA	WASHER
20	13836324	4	VITE	SCREW
21	64526500	2	ZINCFOIL	ZINCFOIL
22	13836324	2	VITE	SCREW
23	64104900	2	INTELAIATURA CENTRALE	CENTRAL FRAMING
24	64629200	1	ISOLANTE ANT. CENTRALE COFANO	FRONT CENTRAL INSULATION FOR HOOD BONNET
			-Vale per CH-	-Valid for CH-
25	64629500	1	ISOLANTE ANT. LATERALE DX. COFANO	FRONT R.H. LATERAL INSULATION FOR HOOD BONNET
			-Vale per CH-	-Valid for CH-
26	64629600	1	ISOLANTE ANT. LATERALE SX. COFANO	FRONT L.H. LATERAL INSULATION FOR HOOD BONNET
			-Vale per CH-	-Valid for CH-

Rif	Dis.№ Part.№	Q.ty	Denominazione	Description
27	64629900	1	ISOLANTE ANT. CUPOLOTTO COFANO	DOME FRONT INSULATION FOR HOOD BONNET
			-Vale per CH-	-Valid for CH-
28	64630100	1	ISOLANTE POST. CUPOLOTTO COFANO	DOME REAR INSULATION FOR HOOD BONNET
			-Vale per CH-	-Valid for CH-
29	12856780	1	TARGHETTA AUTOADESIVA AIR-BAG	AIR-BAG AUTO-ADHESIVE PLATE
			-Vale per vett. con AIR-BAG-	-Valid for AIR-BAG cars-
30	64738500	1	ISOLANTE ANT. CENTRALE COFANO	FRONT CENTRAL INSULATION FOR HOOD BONNET
			-Vale per Spider-	-Valid for Spider-
31	64738600	1	ISOLANTE ANT. LATERALE DX. COFANO	FRONT R.H. LATERAL INSULATION FOR HOOD BONNET
			-Vale per Spider-	-Valid for Spider-
32	64738700	1	ISOLANTE ANT. LATERALE SX. COFANO	FRONT L.H. LATERAL INSULATION FOR HOOD BONNET
			-Vale per Spider-	-Valid for Spider-
33	64738800	1	ISOLANTE ANT. CUPOLOTTO COFANO	DOME FRONT INSULATION FOR HOOD BONNET
			-Vale per Spider-	-Valid for Spider-
34	64738900	1	ISOLANTE POST. CUPOLOTTO COFANO	DOME REAR INSULATION FOR HOOD BONNET
			-Vale per Spider-	-Valid for Spider-
35	64760800	1	ISOLANTE DX. COFANO	R.H. INSULATION FOR HOOD BONNET
			-Vale per Spider-	-Valid for Spider-
-	64761700	1	ISOLANTE SX. COFANO	L.H. INSULATION FOR HOOD BONNET
			-Vale per Spider-	-Valid for Spider-
36	64672800	1	PARATIA	SHIELD
			-Vale per Spider-	-Valid for Spider-



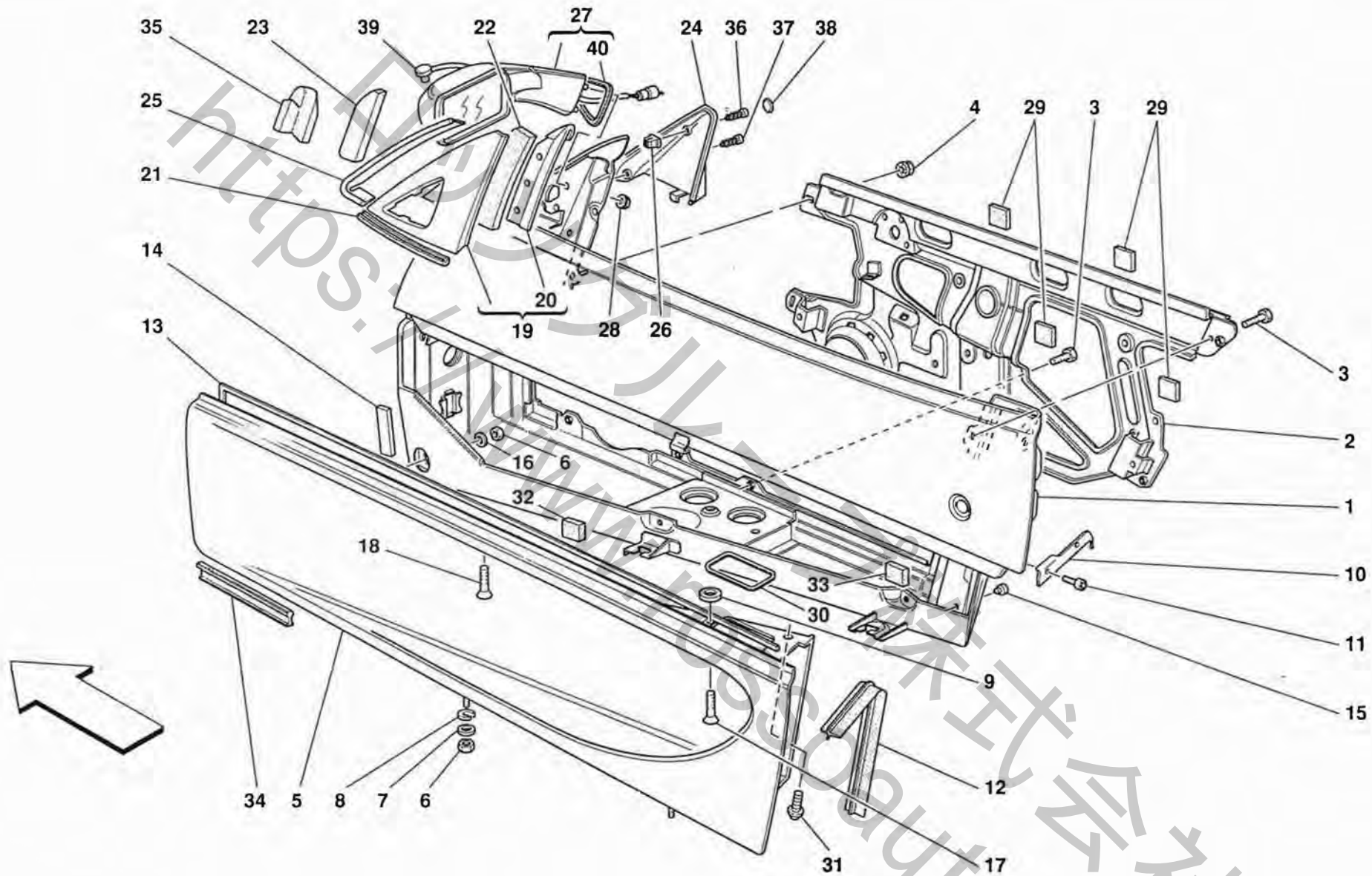
F355

PORTE - OSSATURA E SPECCHIO RETROVISORE
DOORS - FRAMEWORK AND REAR MIRROR

TAV. 121

DATA: GIUGNO '95

Rif	Dis. in Part. N°	Q.ty	Denominazione	Description	Rif	Dis. N° Part. N°	Q.ty	Denominazione	Description
1	64308800	1	MANIGLIA APERTURA COFANO MOTORE	OPENING HANDLE FOR ENGINE HOOD	-	62616400	1	STAFFA	BRACKET
2	62552200	1	PERNO FISS. CAVO	PIN FOR CABLE FASTENING	21	62828900	2	REGISTRO PER CAVI SERRATURE	REGISTER FOR LOCK CABLES
3	15672607	1	VITE	SCREW	22	60276805	1	GRANO	DOWEL
4	14115980	1	BLOCCETTO	BLOCK	23	60276607	1	MORSETTO	CONNECTION
5	60538100	1	SCONTRINO SPORTELLO BOCCHETTONE BENZINA	STRIKER PLATE FOR GAS UNION DOOR	24	62829800	1	CAVO SICURA COFANO MOTORE	SAFETY LOCK CABLE FOR ENGINE HOOD
6	12638124	4	ROSETTA	WASHER	-	62991500	1	CAVO SICURA COFANO MOTORE	SAFETY LOCK CABLE FOR ENGINE HOOD
7	113647	4	DADO	NUT	-	62991500	1	CAVO SICURA COFANO MOTORE	SAFETY LOCK CABLE FOR ENGINE HOOD
8	64118900	1	SPORTELLO BOCCHETTONE BENZINA	FUEL INLET LID	25	64307500	1	ELETTROMAGNETE	ELECTRO-MAGNET
			-Non piu' a ricambio-	-Not as spare part now-	26	62829500	1	CAVO APERTURA COFANO MOTORE	CABLE FOR ENGINE HOOD OPENING
			-Sostituito dal 64114900-	-Replaced by 64114900-	27	12605274	2	ROSETTA	WASHER
-	64114900	1	SPORTELLO BOCCHETTONE BENZINA	FUEL INLET LID	28	62854300	3	MOLLETTA	CLIP
9	62370400	1	CERNIERA SPORTELLO BOCCHETTONE BENZINA	HINGE FOR GAS UNION DOOR	29	62828900	1	REGISTRO PER CAVI SERRATURE	REGISTER FOR LOCK CABLES
10	13274014	2	VITE	SCREW	30	64319600	1	PROTEZIONE CAVI	CABLES PROTECTION
11	60538800	1	GHIRA	RING NUT	31	15917177	2	VITE	SCREW
12	60772600	1	ROSETTA	WASHER	32	14115885	2	BLOCCETTO	BLOCK
13	64307600	1	CAVO SICURA SPORTELLO BOCCHETTONE BENZINA	SAFETY CABLE FOR GAS UNION DOOR	33	62950900	1	GUAINA DI PROTEZIONE	PROTECTION SHEATH
14	60711000	1	MOLLETTA	CLIP	34	16101711	2	DADO	NUT
15	60710900	1	MANIGLIA DI SOCCORSO	EMERGENCY HANDLE	35	11087676	1	ANELLO ELASTICO	FLEXIBLE RING
16	10903021	2	VITE	SCREW	36	10396380	1	ANELLO PASSAFILO	CABLE GROMMET
17	10615474	2	ROSETTA	WASHER	37	15896470	1	DADO	NUT
18	60277407	1	SERRATURA COFANO MOTORE	ENGINE BONNET LOCK	38	14496324	1	ROSETTA	WASHER
19	12644424	2	ROSETTA	WASHER	39	64307700	1	STAFFA	BRACKET
20	62616300	1	STAFFA	BRACKET	40	63618600	2	SPESSORE	THICKNESS
			-No per GD-	-Not for GD-	41	61501200	1	INTERRUTTORE	SWITCH



F355

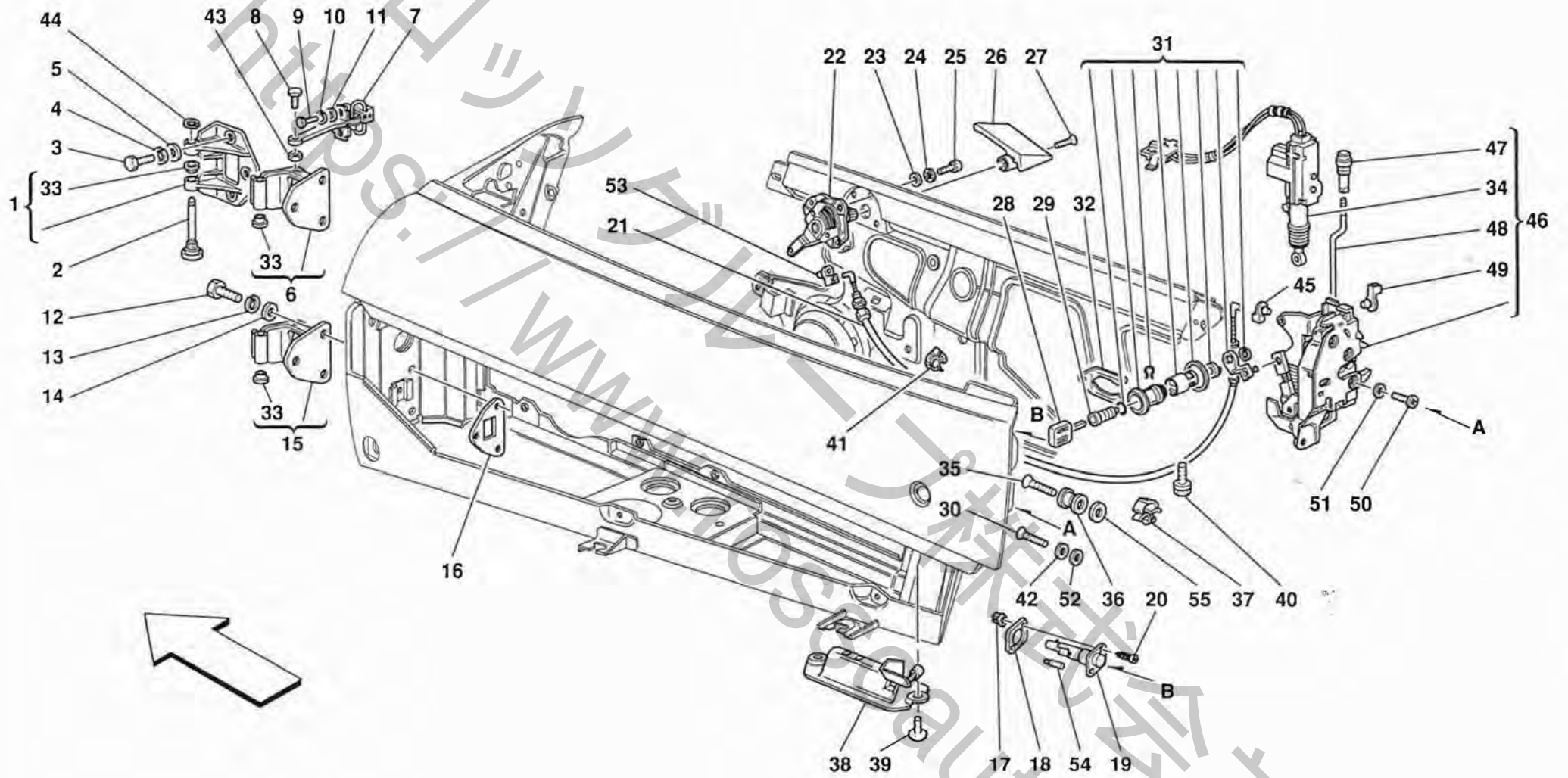
PORTE - OSSATURA E SPECCHIO RETROVISORE
DOORS - FRAMEWORK AND REAR MIRROR

TAV. 121

DATA: GIUGNO '95

Rif	Dis.N° Part.N°	Q.ty	Denominazione	Description
-	64332800	1	MOSTRINA INTERNA SX. -Vale per GTS-	L.H. INNER PLATE -Valid for GTS-
-	64322000	1	MOSTRINA INTERNA DX. -No per GTS-	R.H. INNER PLATE -Not for GTS-
-	64332700	1	MOSTRINA INTERNA DX. -Vale per GTS-	R.H. INNER PLATE -Valid for GTS-
25	64430700	1	GUARNIZIONE MOSTRINA SPECCHIO SX. -Vale per GTS-	L.H. MIRROR PLATE GASKET -Valid for GTS-
-	64332600	1	GUARNIZIONE MOSTRINA SPECCHIO DX. -Vale per GTS-	R.H. MIRROR PLATE GASKET -Valid for GTS-
26	14115580	4	BLOCCHETTO	BLOCK
27	64488510	1	SPECCHIO ESTERNO SX. -No per GB, ZA e AUS-	L.H. EXTERNAL REAR MIRROR -Not for GB, ZA and AUS-
-	64460210	1	SPECCHIO ESTERNO SX. -Vale per GB e ZA-	L.H. EXTERNAL REAR MIRROR -Valid for GB and ZA-
-	64621510	1	SPECCHIO ESTERNO SX. -Vale per AUS-	L.H. EXTERNAL REAR MIRROR -Valid for AUS-
-	64488610	1	SPECCHIO ESTERNO DX. -No per USA, CDN e GD-	R.H. EXTERNAL REAR MIRROR -Not for USA, CDN and GD-
-	64488710	1	SPECCHIO ESTERNO DX. -Vale per USA e CDN-	R.H. EXTERNAL REAR MIRROR -Valid for USA and CDN-

Rif	Dis.N° Part.N°	Q.ty	Denominazione	Description
-	64460110	1	SPECCHIO ESTERNO DX. -Vale per GD-	R.H. EXTERNAL REAR MIRROR -Valid for GD-
28	13832101	6	DADO	NUT
29	127403	4	SPESSORE IN GOMMA	RUBBER THICKNESS
30	64108600	2	GUARNIZIONE	GASKET
31	62940900	2	VITE	SCREW
32	64463300	2	SPESSORE ANT.	FRONT THICKNESS
33	64463400	2	SPESSORE POST.	REAR THICKNESS
34	64435300	2	GUARNIZIONE	GASKET
35	64502900	1	GUARNIZIONE PORTA SX. -No per GTS-	L.H. DOOR GASKET -Not for GTS-
-	64502800	1	GUARNIZIONE PORTA DX. -No per GTS-	R.H. DOOR GASKET -Not for GTS-
36	15915877	2	VITE	SCREW
37	15915977	2	VITE	SCREW
38	64462500	4	CAPPUCCIO PER VITE	BOOT FOR SCREW
39	64783900	1	SENSORE TEMPERATURA ESTERNA	OUTER TEMPERATURE SENSOR
40	64298700	1	GUARNIZIONE SPECCHIO SX.	L.H. MIRROR GASKET
-	64298600	1	GUARNIZIONE SPECCHIO DX.	R.H. MIRROR GASKET



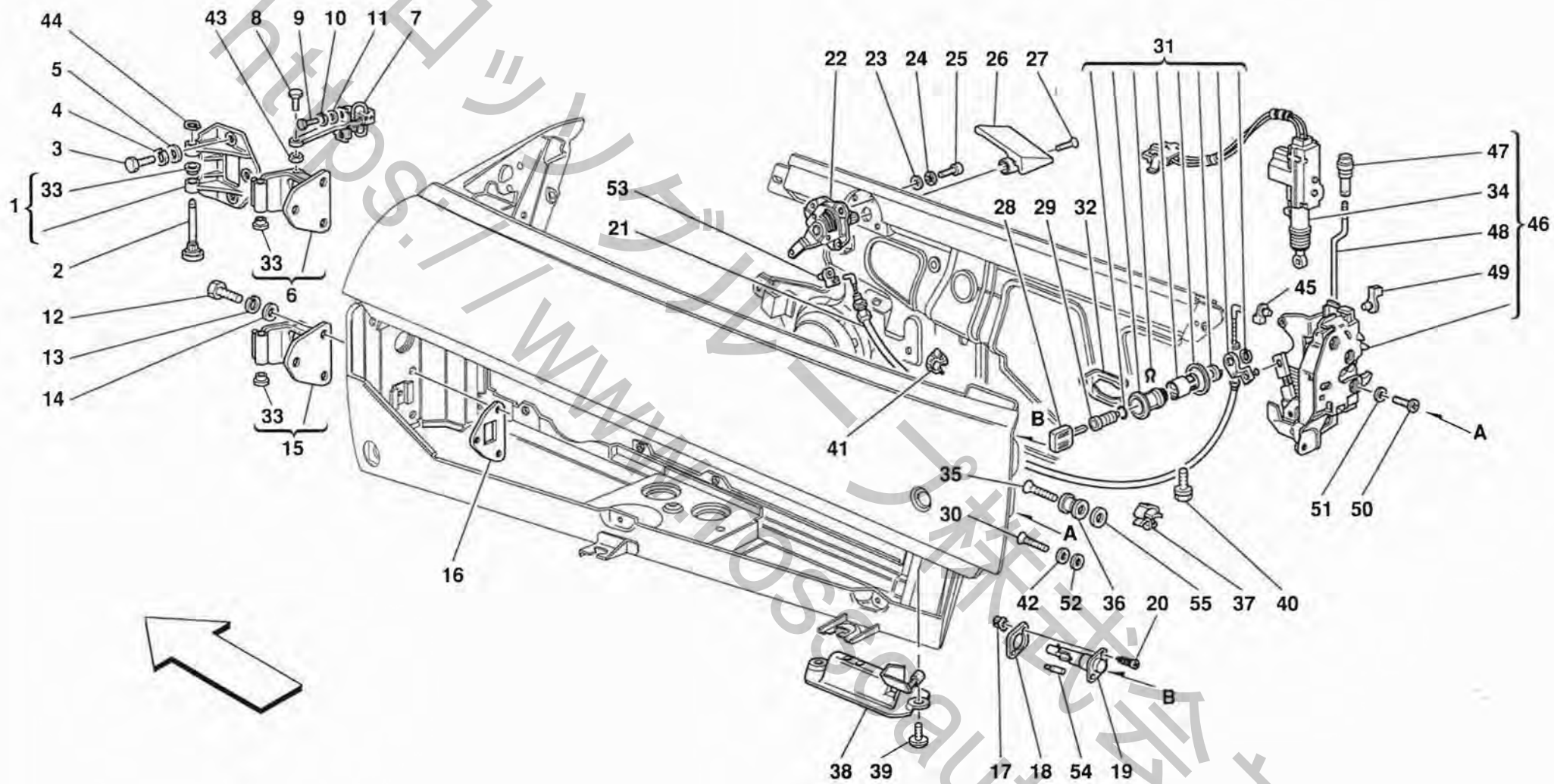
F355

PORTE - COMANDO APERTURA E CERNIERE
 DOORS - OPENING CONTROL AND HINGES

TAV. 122

DATA: GIUGNO '95

Rif	Dis.N° Part.N°	Q.ty	Denominazione	Description	Rif	Dis.N° Part.N°	Q.ty	Denominazione	Description
1	64379300	4	CERNIERA FISSA -No per Spider-	FIXED HINGE -Not for Spider-	-	64536000	1	DISPOSITIVO APERTURA INTERNA PORTA DX. -Vale dopo esaurimento del 64386400-	R.H. INNER DEVICE FOR DOOR OPENING -Valid after stock exhaustion of 64386400-
-	64829800	4	CERNIERA FISSA -Vale per Spider-	FIXED HINGE -Valid for Spider-	23	60711900	6	ROSETTA	WASHER
2	64375600	4	PERNO	PIN	24	149951	6	ROSETTA	WASHER
3	16135924	12	VITE	SCREW	25	14071911	6	VITE	SCREW
4	127496	12	ROSETTA	WASHER	26	63519000	1	MANIGLIA APRIORTA INTERNA SX.	L.H. INNER HANDLE FOR DOOR OPENING
5	10519624	12	ROSETTA	WASHER	-	63518900	1	MANIGLIA APRIORTA INTERNA DX.	R.H. INNER HANDLE FOR DOOR OPENING
6	64379100	2	CERNIERA MOBILE SUPERIORE -No per Spider-	UPPER MOBILE HINGE -Not for Spider-	27	13309211	2	VITE	SCREW
-	64829600	2	CERNIERA MOBILE SUPERIORE -Vale per Spider-	UPPER MOBILE HINGE -Valid for Spider-	28	164089	-	CHIAVE GREZZA	BLANK KEY
7	63942000	2	TIRANTE ARRESTO PORTA	TIE ROD FOR DOOR STOP	29	---	2	BLOCCHETTO SERRATURA PORTE -Non a ricambio- -Con l'antifurto completo- -Vedi Tav. 40 Pos. 10-	BLOCK FOR DOORS LOCK -Not as spare part- -With complete antitheft device- -See Table 40 Pos. 10-
8	64375500	2	VITE	SCREW	30	62940900	2	VITE	SCREW
9	63942300	4	VITE	SCREW	31	64046800	1	SEDE BLOCCHETTO PORTA SX.	L.H. DOOR BLOCK SEAT
10	127494	4	ROSETTA	WASHER	-	64046700	1	SEDE BLOCCHETTO PORTA DX.	R.H. DOOR BLOCK SEAT
11	12644424	4	ROSETTA	WASHER	32	64318300	2	FORCELLA ELASTICA	ELASTIC FORK
12	16135924	12	VITE	SCREW	33	62825300	16	BOCCOLA	BUSHING
13	127496	12	ROSETTA	WASHER	34	62832300	2	ATTUATORE PER BLOCCO/SBLOCCO PORTE	DOORS LOCKING/RELEASING ACTUATOR
14	10519624	12	ROSETTA	WASHER	35	62858700	2	VITE	SCREW
15	64379200	2	CERNIERA MOBILE INFERIORE -No per Spider-	LOWER MOBILE HINGE -Not for Spider-	36	63364100	2	SCONTRINO	STRIKER
-	64829700	2	CERNIERA MOBILE INFERIORE -Vale per Spider-	LOWER MOBILE HINGE -Valid for Spider-	37	61130600	8	MOLLETTA	CLIP
16	62101100	4	PIASTRA PER CERNIERA MOBILE	PLATE FOR MOVABLE HINGE	38	64458500	1	MANIGLIA ESTERNA PORTA SX.	L.H. OUTER DOOR HANDLE
17	14115580	4	BLOCCHETTO	BLOCK	-	64458400	1	MANIGLIA ESTERNA PORTA DX.	R.H. OUTER DOOR HANDLE
18	140576	2	GUARNIZIONE	GASKET	39	62940900	4	VITE	SCREW
19	60788100	2	FANALINO PORTA APERTA	OPENING DOOR LAMP	40	13836324	4	VITE	SCREW
20	15901470	4	VITE	SCREW	41	14569480	4	MOLLETTA	CLIP
21	64314100	2	CAVO APERTURA PORTA	DOOR OPENING CABLE	42	12647777	2	ROSETTA	WASHER
22	64386500	1	DISPOSITIVO APERTURA INTERNA PORTA SX. -Vale fino ad esaurimento-	L.H. INNER DEVICE FOR DOOR OPENING -Valid till stock exhaustion-	43	132877	2	DADO	NUT
-	64536100	1	DISPOSITIVO APERTURA INTERNA PORTA SX. -Vale dopo esaurimento del 64386500-	L.H. INNER DEVICE FOR DOOR OPENING -Valid after stock exhaustion of 64386500-	44	11087974	4	ANELLO ELASTICO	FLEXIBLE RING
-	64386400	1	DISPOSITIVO APERTURA INTERNA PORTA DX. -Vale fino ad esaurimento-	R.H. INNER DEVICE FOR DOOR OPENING -Valid till stock exhaustion-	45	40063208	2	MOLLETTA RITEGNO CAVO	CABLE RETAIN CLIP
-					46	64312600	1	SERRATURA PORTA SX. -No per Spider-	L.H. DOOR LOCK -Not for Spider-
-					-	64685300	1	SERRATURA PORTA SX. -Vale per Spider-	L.H. DOOR LOCK -Valid for Spider-
-					-	64312700	1	SERRATURA PORTA DX. -No per Spider-	R.H. DOOR LOCK -Not for Spider-



F355

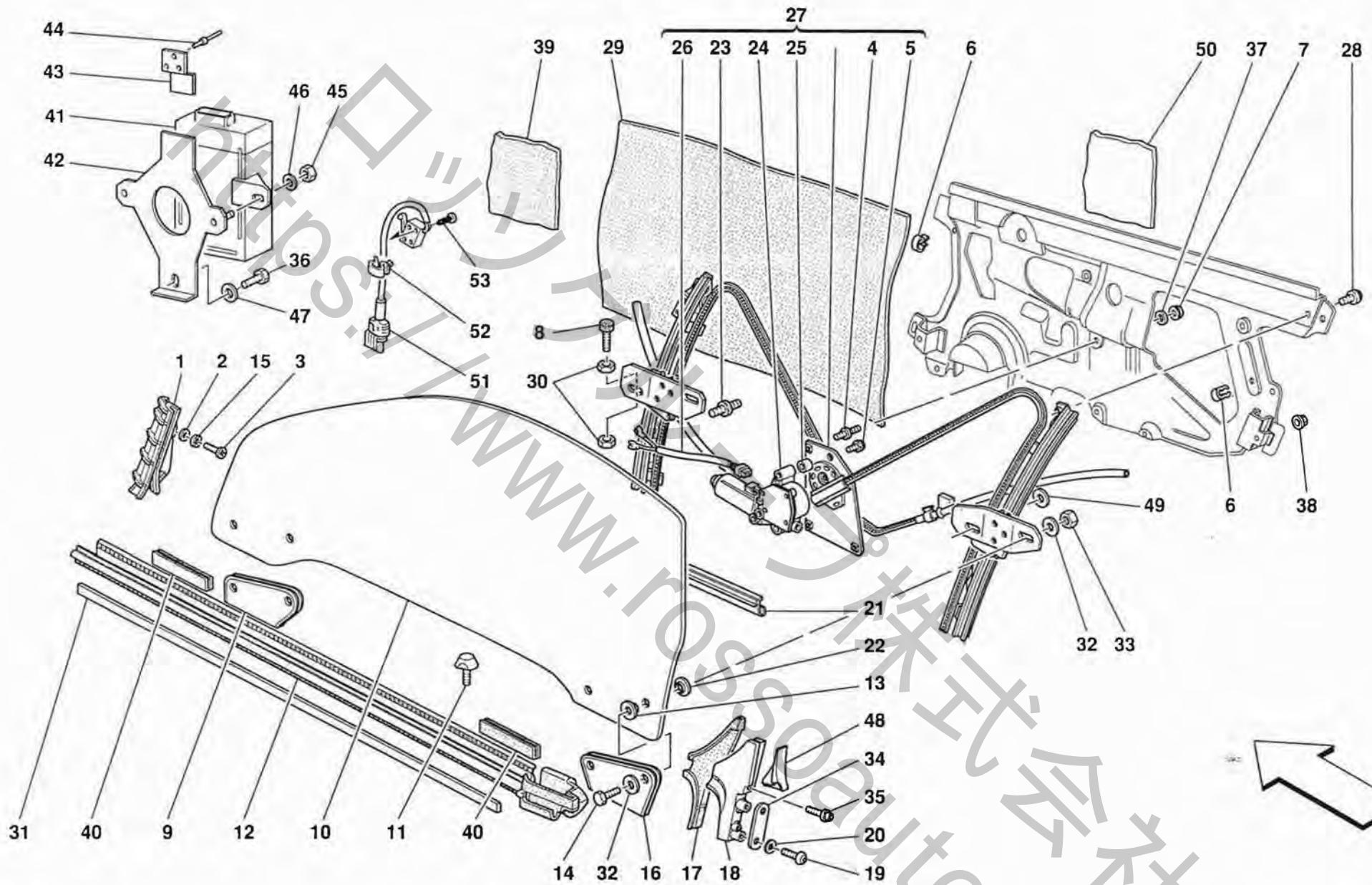
PORTE - COMANDO APERTURA E CERNIERE

DOORS - OPENING CONTROL AND HINGES

TAV. 122

DATA: GIUGNO '95

<i>Rif</i>	<i>Dis. n. Part. N°</i>	<i>Q.ty</i>	<i>Denominazione</i>	<i>Description</i>	<i>Rif</i>	<i>Dis. N° Part. N°</i>	<i>Q.ty</i>	<i>Denominazione</i>	<i>Description</i>
-	64685200	1	SERRATURA PORTA DX. -Vale per Spider-	R.H. DOOR LOCK -Valid for Spider-	49	63280600	2	MOLLETTA PER ASTA -No per Spider-	ROD CLIP -Not for Spider-
47	62800900	2	POMELLO PER ASTA SICURA	KNOB FOR SAFETY ROD	-	63695300	2	MOLLETTA PER ASTA -Vale per Spider-	ROD CLIP -Valid for Spider-
48	62109200	1	ASTA SICURA PORTA SX. -No per Spider-	SAFETY LOCK ROD FOR L.H. DOOR -Not for Spider-	50	62941000	6	VITE	SCREW
-	63617700	1	ASTA SICURA PORTA SX. -Vale per Spider-	SAFETY LOCK ROD FOR L.H. DOOR -Valid for Spider-	51	63314400	6	ROSETTA	WASHER
-	62109100	1	ASTA SICURA PORTA DX. -No per Spider-	SAFETY LOCK ROD FOR R.H. DOOR -Not for Spider-	52	63314400	2	ROSETTA	WASHER
-	63617600	1	ASTA SICURA PORTA DX. -Vale per Spider-	SAFETY LOCK ROD FOR R.H. DOOR -Valid for Spider-	53	63291200	2	MOLLETTA RITEGNO CAVO	CABLE RETAIN CLIP
					54	101525	2	LAMPADA 12V-3W	12V-3W BULB
					55	63285300	2	ROSETTA	WASHER
					56	145854	2	FASCETTA	CLAMP



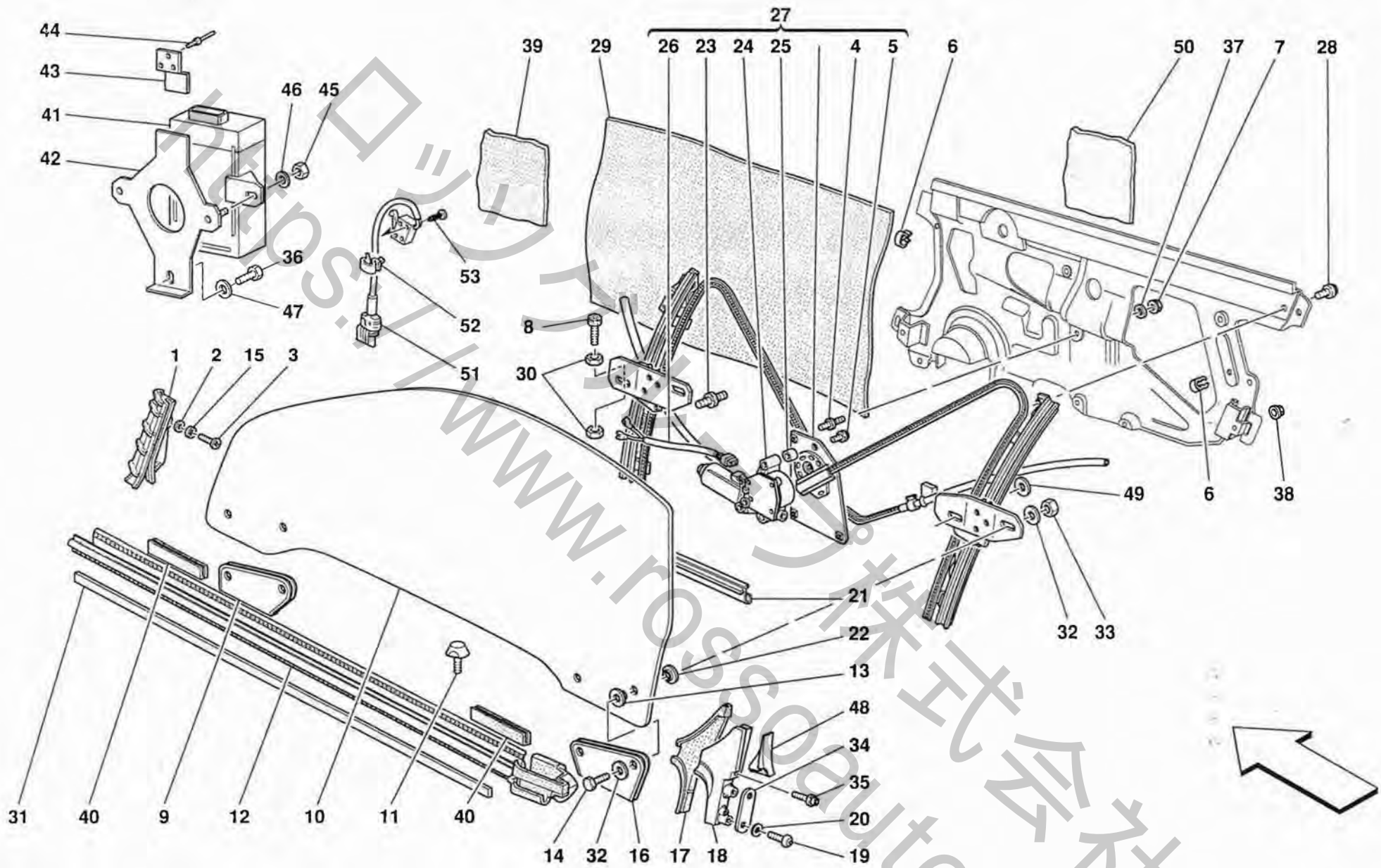
F355

PORTE - DISPOSITIVO ALZACRISTALLO
DOORS - GLASS LIFTING DEVICE

TAV. 123

DATA: GIUGNO '95

Rif	Dis.. Part.N°	Q.ty	Denominazione	Description	Rif	Dis.N° Part.N°	Q.ty	Denominazione	Description
1	62122800	1	GUIDA CRISTALLO ANT. SX.	L.H. FRONT GLASS GUIDE	-	64333100	1	GUARNIZIONE CANTONALE POST. PORTA DX.	R.H. DOOR REAR ANGULAR GASKET
-	62122700	1	GUIDA CRISTALLO ANT. DX.	R.H. FRONT GLASS GUIDE				-Vale per GTS-	-Valid for GTS-
2	12646601	2	ROSETTA	WASHER	18	62212100	1	CANTONALE POST. PORTA SX.	L.H. DOOR REAR ANGLE
3	13276211	2	VITE	SCREW				-No per GTS-	-Not for GTS-
4	62008600	6	TAMPONE	RUBBER PAD	-	64333000	1	CANTONALE POST. PORTA SX.	L.H. DOOR REAR ANGLE
5	63301800	6	VITE	SCREW				-Vale per GTS-	-Valid for GTS-
6	60123502	4	MOLLETTA	CLIP	-	62212000	1	CANTONALE POST. PORTA DX.	R.H. DOOR REAR ANGLE
7	13832101	6	DADO	NUT				-No per GTS-	-Not for GTS-
8	62008400	4	TAMPONE ARRESTO CRISTALLO	GLASS STOP RUBBER PAD	-	64332900	1	CANTONALE POST. PORTA DX.	R.H. DOOR REAR ANGLE
9	62106100	2	STAFFA ANT. CRISTALLO	GLASS FRONT BRACKET				-Vale per GTS-	-Valid for GTS-
10	62104400	1	CRISTALLO PORTA SX.	L.H. DOOR GLASS	19	62940900	4	VITE	SCREW
			-Vale per BERLINETTA-	-Valid for BERLINETTA-	20	63314400	4	ROSETTA	WASHER
-	64316800	1	CRISTALLO PORTA SX.	L.H. DOOR GLASS	21	63524600	1	GUARNIZIONE INTERNA	L.H. GLASS INNER
			-Vale per GTS-	-Valid for GTS-				CRISTALLO SX.	GASKET
-	64251000	1	CRISTALLO PORTA SX.	L.H. DOOR GLASS				-No per Spider-	-Not for Spider-
			-Vale per Spider-	-Valid for Spider-				-Vale fino ad esaurimento-	-Valid till stock exhaustion-
-	62104300	1	CRISTALLO PORTA DX.	R.H. DOOR GLASS	-	64543100	1	GUARNIZIONE INTERNA	L.H. GLASS INNER
			-Vale per BERLINETTA-	-Valid for BERLINETTA-				CRISTALLO SX.	GASKET
-	64316700	1	CRISTALLO PORTA DX.	R.H. DOOR GLASS				-No per Spider-	-Not for Spider-
			-Vale per GTS-	-Valid for GTS-				-Vale dopo esaurimento del	-Valid after stock exhaustion of
-	64250900	1	CRISTALLO PORTA DX.	R.H. DOOR GLASS				63524600-	63524600-
			-Vale per Spider-	-Valid for Spider-	-	64687800	1	GUARNIZIONE INTERNA	L.H. GLASS INNER
11	62167300	2	TAMPONE INFERIORE	LOWER RUBBER PAD				CRISTALLO SX.	GASKET
12	62213200	1	GUARNIZIONE FILO CINTURA PORTA SX.	L.H. DOOR BELT HEIGHT GASKET				-Vale per Spider-	-Valid for Spider-
-	62213100	1	GUARNIZIONE FILO CINTURA PORTA DX.	R.H. DOOR BELT HEIGHT GASKET	-	63524500	1	GUARNIZIONE INTERNA	R.H. GLASS INNER
								CRISTALLO DX.	GASKET
13	62106600	8	BOCCOLA ESTERNA	OUTER BUSHING				-No per Spider-	-Not for Spider-
14	10902621	8	VITE	SCREW				-Vale fino ad esaurimento-	-Valid till stock exhaustion-
15	12605374	2	ROSETTA	WASHER	-	64543000	1	GUARNIZIONE INTERNA	R.H. GLASS INNER
16	62106300	2	STAFFA POST. CRISTALLO	GLASS REAR BRACKET				CRISTALLO DX.	GASKET
17	62213000	1	GUARNIZIONE CANTONALE POST. PORTA SX.	L.H. DOOR REAR ANGULAR GASKET				-No per Spider-	-Not for Spider-
			-No per GTS-	-Not for GTS-				-Vale dopo esaurimento del	-Valid after stock exhaustion of
-	64333200	1	GUARNIZIONE CANTONALE POST. PORTA SX.	L.H. DOOR REAR ANGULAR GASKET				63524500-	63524500-
			-Vale per GTS-	-Valid for GTS-	-	64687600	1	GUARNIZIONE INTERNA	R.H. GLASS INNER
								CRISTALLO DX.	GASKET
-	62212900	1	GUARNIZIONE CANTONALE POST. PORTA DX.	R.H. DOOR REAR ANGULAR GASKET				-Vale per Spider-	-Valid for Spider-
			-No per GTS-	-Not for GTS-	22	62106700	8	BOCCOLA INTERNA	INNER BUSHING
					23	62211900	4	TAMPONE	PAD
					24	62302200	1	MOTORINO ALZACRISTALLO SX.	L.H. GLASS LIFTING MOTOR
					-	62302100	1	MOTORINO ALZACRISTALLO DX.	R.H. GLASS LIFTING MOTOR



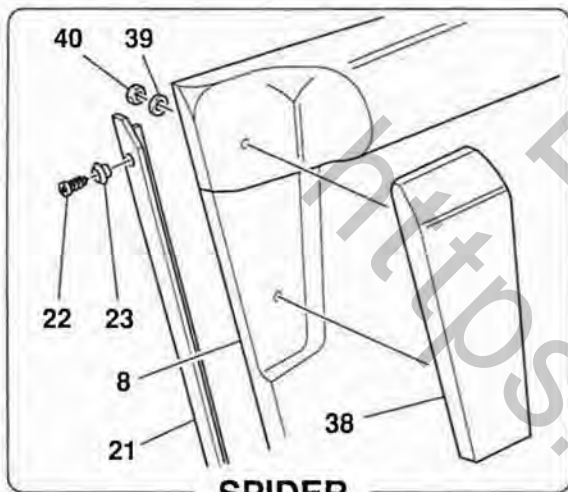
F355

PORTE - DISPOSITIVO ALZACRISTALLO
DOORS - GLASS LIFTING DEVICE

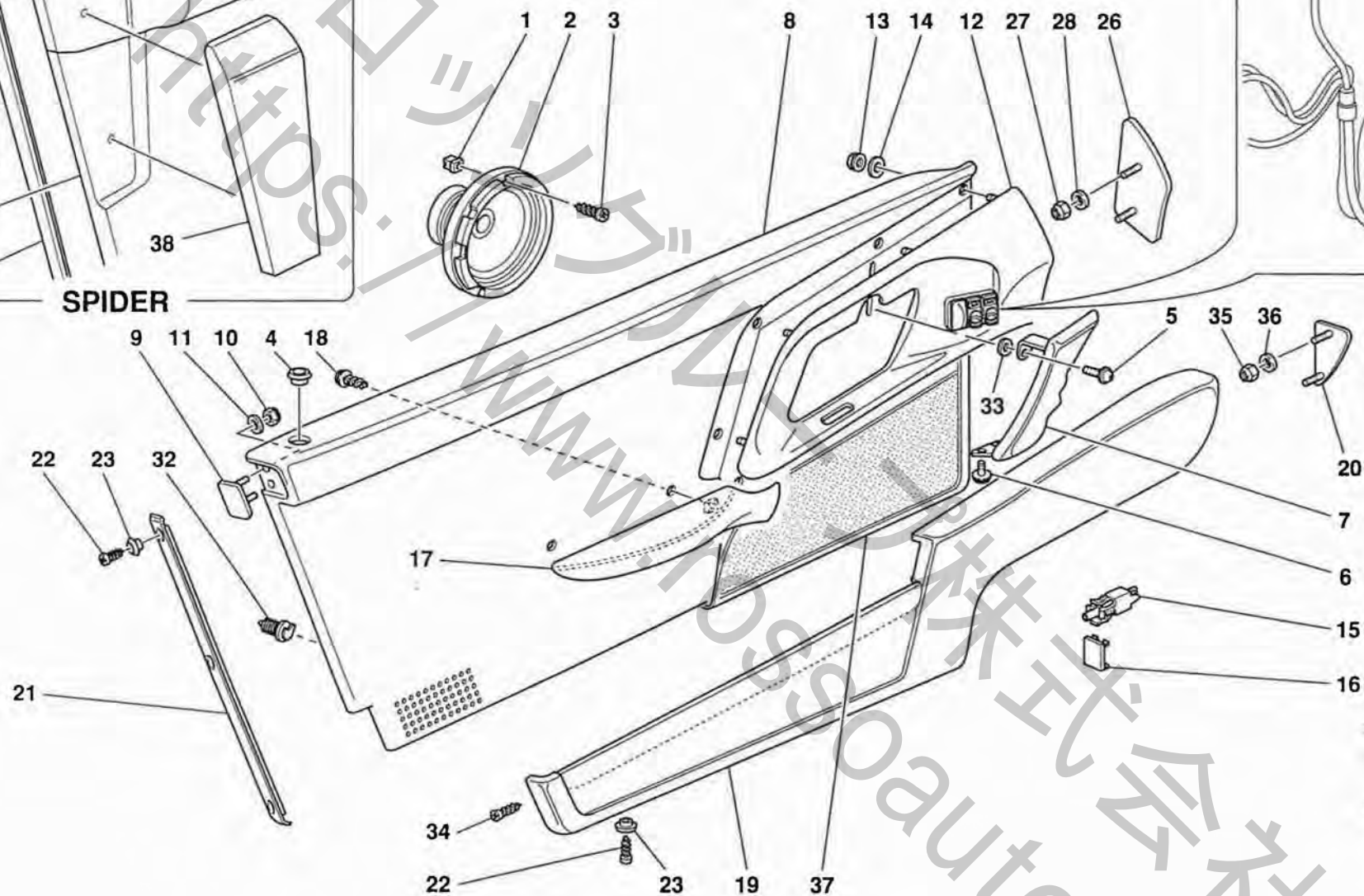
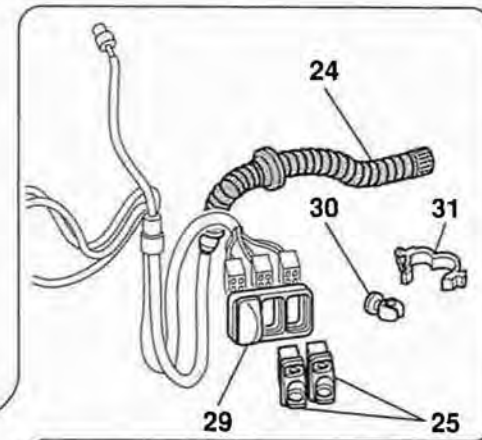
TAV. 123

DATA: GIUGNO '95

<i>Rif</i>	<i>Dis.N° Part.N°</i>	<i>Q.ty</i>	<i>Denominazione</i>	<i>Description</i>	<i>Rif</i>	<i>Dis.N° Part.N°</i>	<i>Q.ty</i>	<i>Denominazione</i>	<i>Description</i>
25	63301700	6	DISTANZIALE	SPACER	38	13832101	4	DADO	NUT
26	63301900	2	CABLAGGIO ELETTRICO MOTORINO	ELECTRIC WIRING FOR MOTOR	39	64482100	2	TELA RIPARO ARIA SUPERIORE	UPPER AIR PROTECTION CLOTH
27	62107300	1	ALZACRISTALLO SX. COMPLETO -No per Spider-	COMPLETE L.H. GLASS LIFT -Not for Spider-	-	64482300	2	TELA RIPARO ARIA INFERIORE	LOWER AIR PROTECTION CLOTH
-	63645300	1	ALZACRISTALLO SX. COMPLETO -Vale per Spider-	COMPLETE L.H. GLASS LIFT -Valid for Spider-	40	62106500	4	GUARNIZIONE INFERIORE	LOWER GASKET
-	62107200	1	ALZACRISTALLO DX. COMPLETO -No per Spider-	COMPLETE R.H. GLASS LIFT -Not for Spider-	41	154769	1	CENTRALINA COMANDO MOTORINO ALZACRISTALLI -No per Spider-	GLASS LIFTING MOTOR CONTROL ELECTRIC UNIT -Not for Spider-
-	63645200	1	ALZACRISTALLO DX. COMPLETO -Vale per Spider-	COMPLETE R.H. GLASS LIFT -Valid for Spider-	-	164202	1	CENTRALINA COMANDO MOTORINO ALZACRISTALLI -Vale per Spider-	GLASS LIFTING MOTOR CONTROL ELECTRIC UNIT -Valid for Spider-
28	13836324	4	VITE	SCREW	42	154770	1	STAFFA FISS. CENTRALINA	CONTROL UNIT FIXING BRACKET
29	63000900	2	TELA RIPARO ACQUA	WATER PROTECTION CLOTH	43	63937700	1	MOLLETTA	CLIP
30	15896211	8	DADO	NUT	44	60643400	3	RIVETTO	RIVET
31	63012900	2	NASTRO BIADESIVO	BI-ADHESIVE TAPE	45	12574115	2	DADO	NUT
32	12640624	14	ROSETTA	WASHER	46	14496324	2	ROSETTA	WASHER
33	102741	8	DADO	NUT	47	10519424	1	ROSETTA	WASHER
34	64293100	1	PIASTRINO SX. -Vale fino ad esaurimento-	L.H. SMALL PLATE -Valid till stock exhaustion-	48	64644700	1	RIPORTO CANTONALE SX. -No per Spider-	L.H. ANGLE PIECE INSERT -Not for Spider-
-	64910300	1	PIASTRINO SX. -Vale dopo esaurimento del 64293100-	L.H. SMALL PLATE -Valid after stock exhaustion of 64293100-	-	64644600	1	RIPORTO CANTONALE DX. -No per Spider-	R.H. ANGLE PIECE INSERT -Not for Spider-
-	64293000	1	PIASTRINO DX. -Vale fino ad esaurimento-	R.H. SMALL PLATE -Valid till stock exhaustion-	49	106744	2	ROSETTA	WASHER
-	64910200	1	PIASTRINO DX. -Vale dopo esaurimento del 64293000-	R.H. SMALL PLATE -Valid after stock exhaustion of 64293000-	50	63994800	2	TELA RIPARO ACQUA PER MANIGLIA	WATER PROTECTION CLOTH FOR HANDLE
35	13271617	4	VITE	SCREW	51	154762	2	MICROINTERRUTTORE -Vale per Spider-	MICRO-SWITCH -Valid for Spider-
36	10902011	1	VITE	SCREW	52	155907	2	MOLLETTA -Vale per Spider-	CLIP -Valid for Spider-
37	10615474	6	ROSETTA	WASHER	53	15908506	4	VITE -Vale per Spider-	SCREW -Valid for Spider-
					54	64910400	4	PIASTRINO INTERNO	INNER SMALL PLATE



SPIDER



F355

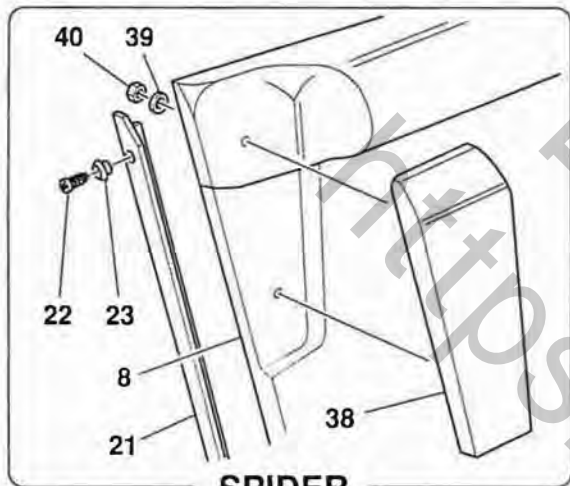
PORTE - RIVESTIMENTI INTERNI
DOORS - INNER TRIMS

TAV. 124

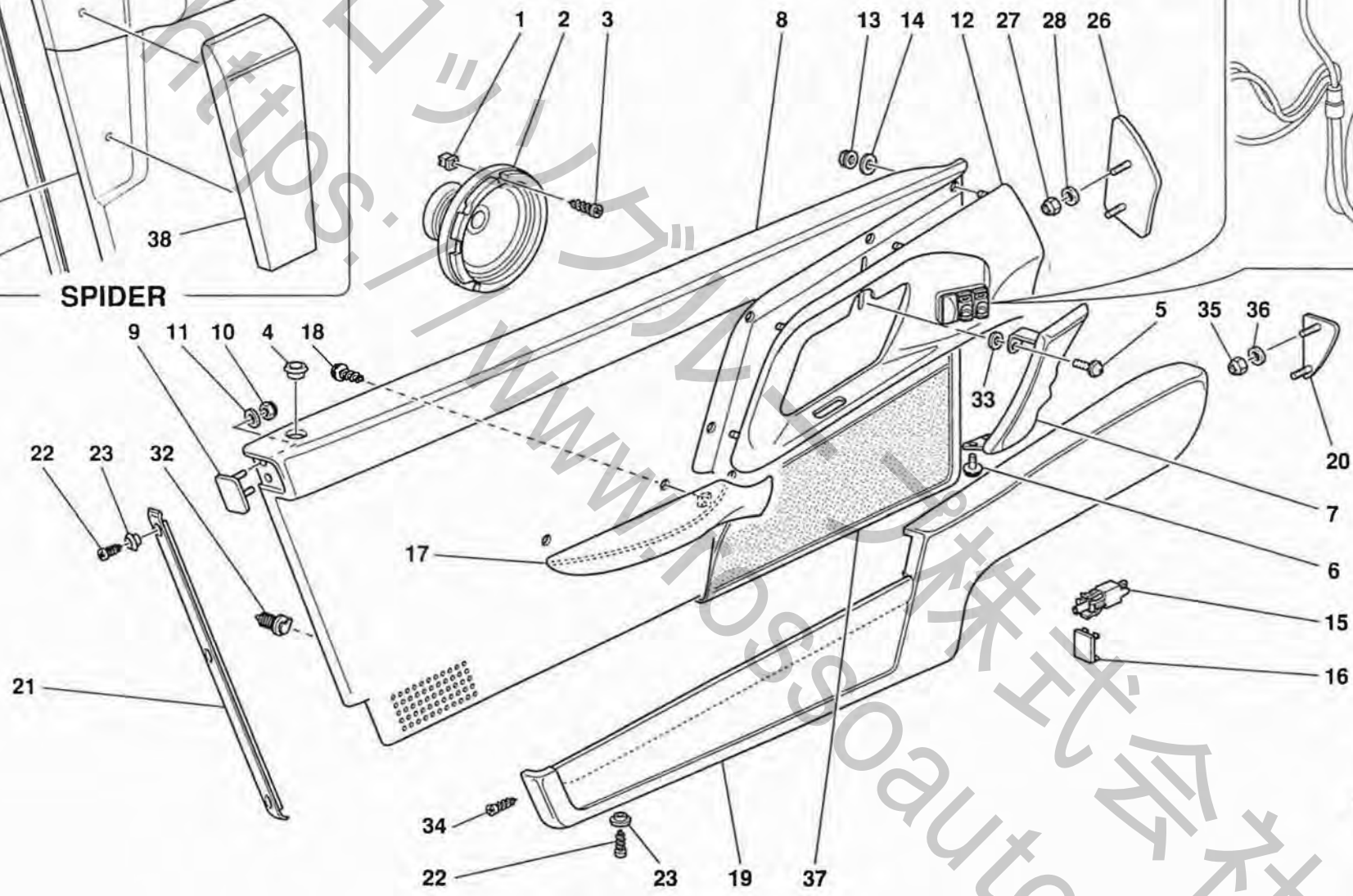
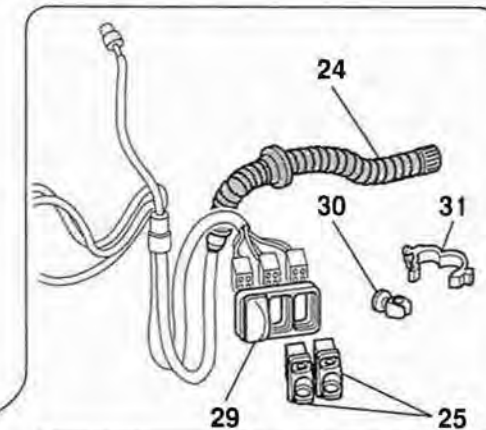
DATA: GIUGNO '95

Rif	Dis.N° Part.N°	Q.ty	Denominazione	Description
1	14215480	8	BLOCCETTO	BLOCK
2	141392	2	ALTOPARLANTE WOOFER	LOUDSPEAKER WOOFER
3	15687270	8	VITE	SCREW
4	61617500	2	BOCCOLA	BUSHING
5	64686900	2	VITE	SCREW
6	13836324	4	VITE	SCREW
7	635152..	1	MANIGLIONE INTERNO PORTA SX.	L.H. DOOR INNER HANDLE
-	635195..	1	RIVESTIMENTO MANIGLIONE SX.	L.H. HANDLE LINING
-	635151..	1	MANIGLIONE INTERNO PORTA DX.	R.H. DOOR INNER HANDLE
-	635194..	1	RIVESTIMENTO MANIGLIONE DX.	R.H. HANDLE LINING
8	635214..	1	PANNELLO PORTA SX. COMPL.	COMPLETE L.H. DOOR PANEL
-			-No per Spider-	-Not for Spider-
-	645217..	1	PANNELLO PORTA SX. COMPL.	COMPLETE L.H. DOOR PANEL
-			-Vale per Spider-	-Valid for Spider-
-	647841..	1	KIT COMPL. RIVESTIMENTO PANNELLO SX.	L.H. PANEL LINING COMPLETE KIT
-	635211..	1	PANNELLO PORTA DX. COMPL.	COMPLETE R.H. DOOR PANEL
-			-No per Spider-	-Not for Spider-
-	645210..	1	PANNELLO PORTA DX. COMPL.	COMPLETE R.H. DOOR PANEL
-			-Vale per Spider-	-Valid for Spider-
-	647840..	1	KIT COMPL. RIVESTIMENTO PANNELLO DX.	R.H. PANEL LINING COMPLETE KIT
9	639770..	1	FONDELLO POST. SX.	L.H. REAR END PLATE
-			-No per Spider-	-Not for Spider-
-	640450..	1	RIVESTIMENTO FONDELLO SX.	L.H. END PLATE LINING
-			-No per Spider-	-Not for Spider-
-	639769..	1	FONDELLO POST. DX.	R.H. REAR END PLATE
-			-No per Spider-	-Not for Spider-
-	640449..	1	RIVESTIMENTO FONDELLO DX.	R.H. END PLATE LINING
-			-No per Spider-	-Not for Spider-
10	12574115	4	DADO	NUT
11	12638177	4	ROSETTA	WASHER
12	635267..	1	RIPORTO SUPERIORE SX.	L.H. UPPER CARPET SHIELD
-			-No per GD-	-Not for GD-
-	644035..	1	RIPORTO SUPERIORE SX.	L.H. UPPER CARPET SHIELD
-			-Vale per GD-	-Valid for GD-
-	635280..	1	RIVESTIMENTO RIPORTO SX.	L.H. INSERT LINING
-	635266..	1	RIPORTO SUPERIORE DX.	R.H. UPPER CARPET SHIELD
-			-No per GD-	-Not for GD-
-	644034..	1	RIPORTO SUPERIORE DX.	R.H. UPPER CARPET SHIELD
-			-Vale per GD-	-Valid for GD-

Rif	Dis.N° Part.N°	Q.ty	Denominazione	Description
-	635279..	1	RIVESTIMENTO RIPORTO DX.	R.H. INSERT LINING
13	14084111	12	DADO	NUT
14	12637824	12	ROSETTA	WASHER
15	134423	2	INTERRUTTORE COMANDO	SWITCH FOR ROOF
-			PLAFONIERA	LIGHT
-			-Per USA e CDN q.ta' 3-	-For USA and CDN q.ty 3-
-			-Per J q.ta' 4-	-For J q.ty 4-
16	145504	2	TAPPO	PLUG
-			-Per USA e CDN q.ta' 1-	-For USA and CDN q.ty 1-
-			-No per J-	-Not for J-
17	644921..	1	APPOGGIABRACCIA PORTA SX.	L.H. DOOR ARM-REST
-			-Non piu' a ricambio-	-Not as spare part now-
-			-Sostituito dal 646278..-	-Replaced by 646278..-
-	646278..	1	APPOGGIABRACCIA PORTA SX.	L.H. DOOR ARM-REST
-	644923..	1	RIVESTIMENTO	L.H. ARM-REST
-			APPOGGIABRACCIA SX.	LINING
-	644920..	1	APPOGGIABRACCIA PORTA DX.	R.H. DOOR ARM-REST
-			-Non piu' a ricambio-	-Not as spare part now-
-			-Sostituito dal 646277..-	-Replaced by 646277..-
-	646277..	1	APPOGGIABRACCIA PORTA DX.	R.H. DOOR ARM-REST
-	644922..	1	RIVESTIMENTO	R.H. ARM-REST
-			APPOGGIABRACCIA DX.	LINING
18	62940900	6	VITE	SCREW
19	635216..	1	RIPORTO INFERIORE CON TASCA SX.	L.H. LOWER CARPET SHIELD WITH POCKET
-	635264..	1	RIVESTIMENTO RIPORTO INFERIORE SX.	L.H. LOWER CARPET SHIELD UPHOLSTERY
-	639767..	1	RIVESTIMENTO TASCA SX.	L.H. POCKET UPHOLSTERY
-	635213..	1	RIPORTO INFERIORE CON TASCA DX.	R.H. LOWER CARPET SHIELD WITH POCKET
-	635263..	1	RIVESTIMENTO RIPORTO INFERIORE DX.	R.H. LOWER CARPET SHIELD UPHOLSTERY
-	639766..	1	RIVESTIMENTO TASCA DX.	R.H. POCKET UPHOLSTERY
20	642837..	1	FONDELLO RIPORTO INFERIORE SX.	L.H. LOWER INSERT END PLATE
-	642841..	1	RIVESTIMENTO FONDELLO RIPORTO SX.	L.H. INSERT END PLATE LINING
-	642836..	1	FONDELLO RIPORTO INFERIORE DX.	R.H. LOWER INSERT END PLATE
-	642840..	1	RIVESTIMENTO FONDELLO RIPORTO DX.	R.H. INSERT END PLATE LINING



SPIDER



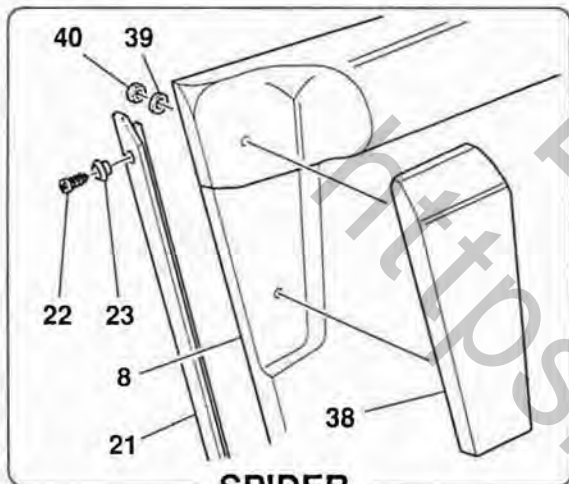
F355

PORTE - RIVESTIMENTI INTERNI
DOORS - INNER TRIMS

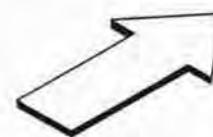
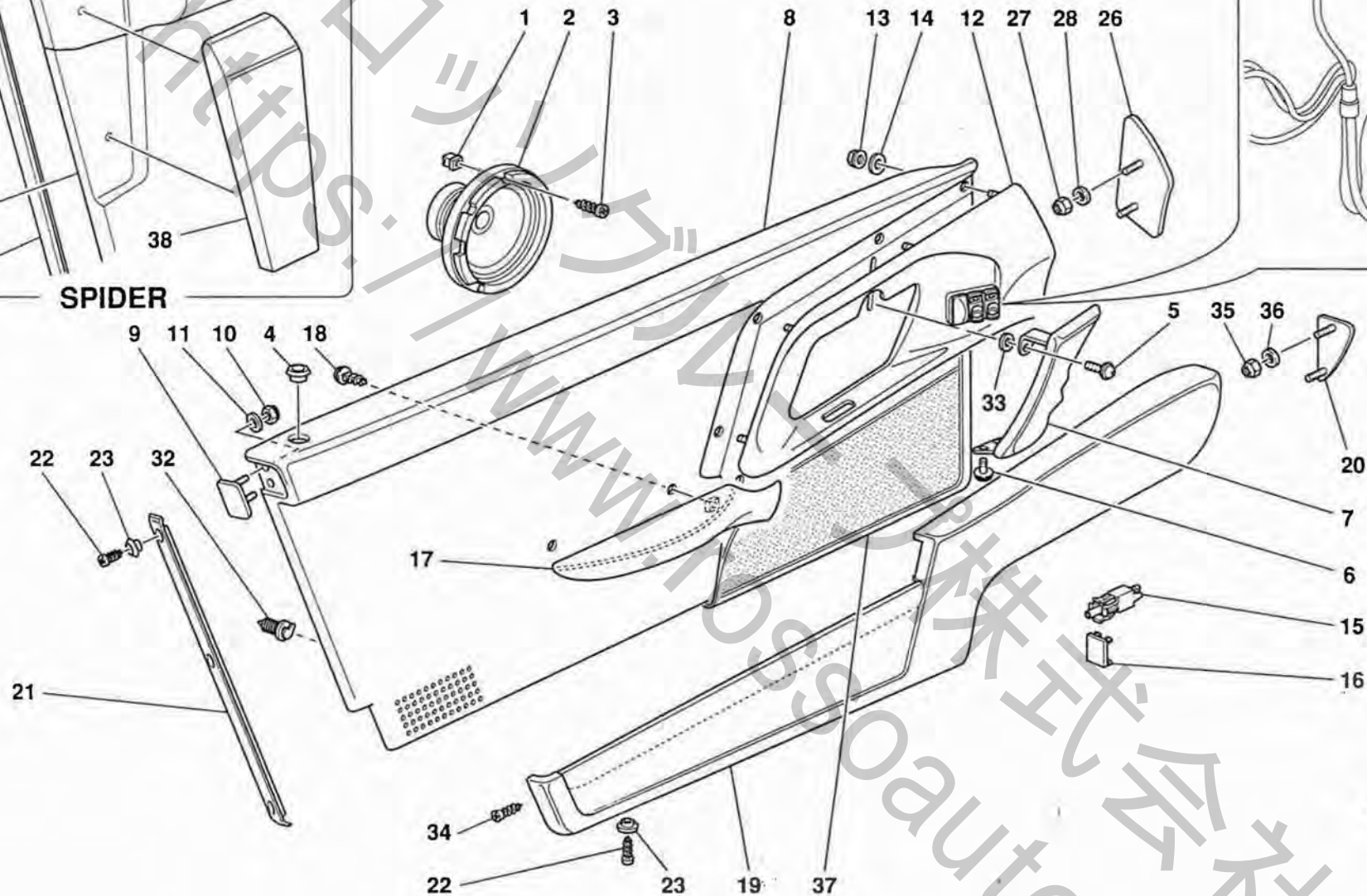
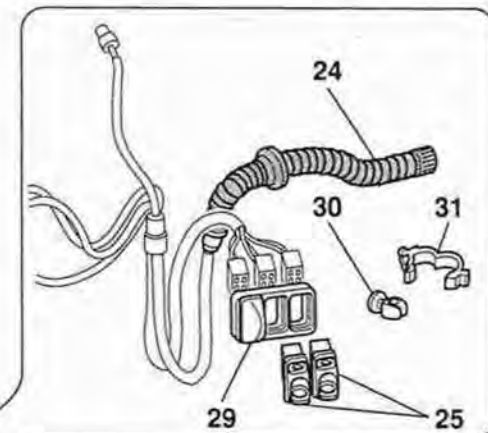
TAV. 124
DATA: GIUGNO '95

Rif	Dis.N° Part.N°	Q.ty	Denominazione	Description
21	644877..	1	MODANATURA POST. SX. RIVESTITA -No per Spider-	COVERED L.H. REAR MOULDING -Not for Spider-
-	646901..	1	MODANATURA POST. SX. RIVESTITA -Vale per Spider-	COVERED L.H. REAR MOULDING -Valid for Spider-
-	644879..	1	RIVESTIMENTO MODANATURA SX.	L.H. MOULDING LINING
-	644876..	1	MODANATURA POST. DX. RIVESTITA -No per Spider-	COVERED R.H. REAR MOULDING -Not for Spider-
-	646900..	1	MODANATURA POST. DX. RIVESTITA -Vale per Spider-	COVERED R.H. REAR MOULDING -Valid for Spider-
-	644878..	1	RIVESTIMENTO MODANATURA DX.	R.H. MOULDING LINING
22	15908602	14	VITE -Interni Chiari-	SCREW -Clear Inner Trims-
-	15908678	14	VITE -Interni Scuri-	SCREW -Dark Inner Trims-
23	64289400	14	ROSETTA -Interni Chiari-	WASHER -Clear Inner Trims-
-	62823200	14	ROSETTA -Interni Scuri-	WASHER -Dark Inner Trims-
24	156702	2	ASSIEME SOFFIETTI PASSAGGIO CAVI	BELLOWS ASSEMBLY FOR CABLE BUSHING
25	157194	1	INTERRUTTORE ALZACRISTALLO SX. -Per GD q.ta' 2- -Vale fino ad esaurimento-	L.H. SWITCH FOR GLASS LIFT -For GD q.ty 2- -Valid till stock exhaustion-
-	165256	1	INTERRUTTORE ALZACRISTALLO SX. -Per GD q.ta' 2- -Vale dopo esaurimento del 157194-	L.H. SWITCH FOR GLASS LIFT -For GD q.ty 2- -Valid after stock exhaustion of 157194-
-	157193	2	INTERRUTTORE ALZACRISTALLO DX. -Per GD q.ta' 1- -Vale fino ad esaurimento-	R.H. SWITCH FOR GLASS LIFT -For GD q.ty 1- -Valid till stock exhaustion-
-	165257	2	INTERRUTTORE ALZACRISTALLO DX. -Per GD q.ta' 1- -Vale dopo esaurimento del 157193-	R.H. SWITCH FOR GLASS LIFT -For GD q.ty 1- -Valid after stock exhaustion of 157193-
26	635269..	1	FONDELLO RIPORTO SUPERIORE SX.	L.H. UPPER INSERT END PLATE
-	635273..	1	RIVESTIMENTO FONDELLO RIPORTO SX.	L.H. INSERT END PLATE LINING

Rif	Dis.N° Part.N°	Q.ty	Denominazione	Description
-	635268..	1	FONDELLO RIPORTO SUPERIORE DX.	R.H. UPPER INSERT END PLATE
-	635272..	1	RIVESTIMENTO FONDELLO RIPORTO DX.	R.H. INSERT END PLATE LINING
27	12574115	4	DADO	NUT
28	12638177	4	ROSETTA	WASHER
29	63963700	1	MOSTRINA FISSAGGIO INTERRUTTORI LATO PILOTA -No per GD-	PILOT SIDE SWITCHES FIXING PLATE -Not for GD-
-	64251800	1	MOSTRINA FISSAGGIO INTERRUTTORI LATO PILOTA -Vale per GD-	PILOT SIDE SWITCHES FIXING PLATE -Valid for GD-
-	63963600	1	MOSTRINA FISSAGGIO INTERRUTTORI LATO PASSEGGERO -No per GD-	PASSENGER SIDE SWITCHES FIXING PLATE -Not for GD-
-	64251700	1	MOSTRINA FISSAGGIO INTERRUTTORI LATO PASSEGGERO -Vale per GD-	PASSENGER SIDE SWITCHES FIXING PLATE -Valid for GD-
30	60123502	1	MOLLETTA PORTA DX.	R.H. DOOR CLIP
-	157385	1	MOLLETTA PORTA SX.	L.H. DOOR CLIP
31	157385	1	MOLLETTA	CLIP
32	14188181	8	FERMAGLIO	RETAINER
33	12640624	4	ROSETTA -Di eventuale montaggio-	WASHER -Possible fitting-
34	15915077	2	VITE	SCREW
35	12574115	4	DADO	NUT
36	12638177	4	ROSETTA	WASHER
37	640340..	1	RIVESTIMENTO MOQUETTE NERO SX. -Con bordino in pelle-	L.H. BLACK CARPET LINING -With leather edge-
-	640341..	1	RIVESTIMENTO MOQUETTE ROSSO SX. -Con bordino in pelle-	L.H. RED CARPET LINING -With leather edge-
-	640342..	1	RIVESTIMENTO MOQUETTE TESTA DI MORO SX. -Con bordino in pelle-	L.H. DARK BROWN CARPET LINING -With leather edge-
-	640343..	1	RIVESTIMENTO MOQUETTE BLU SX. -Con bordino in pelle-	L.H. BLUE CARPET LINING -With leather edge-



SPIDER



F355

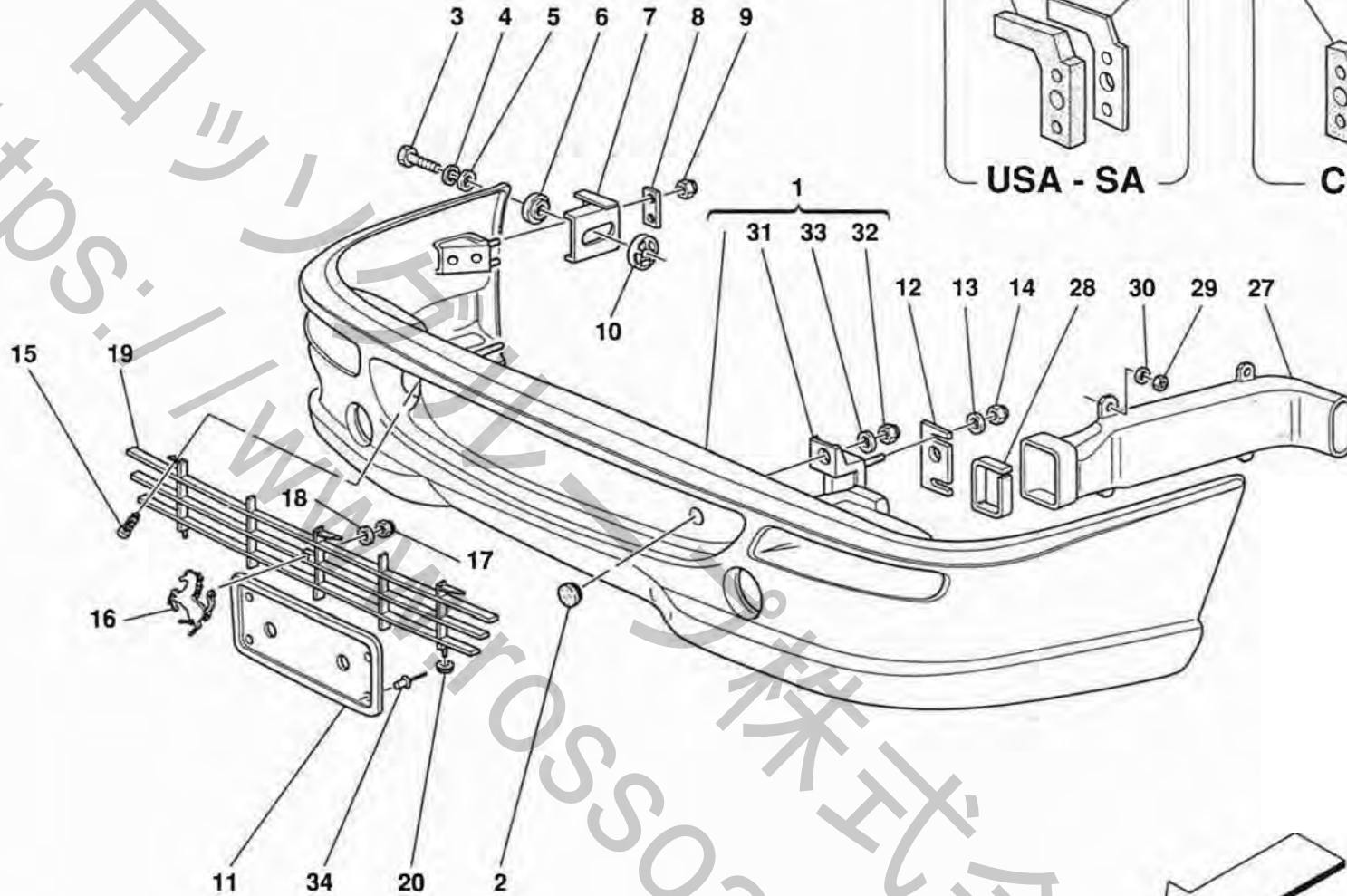
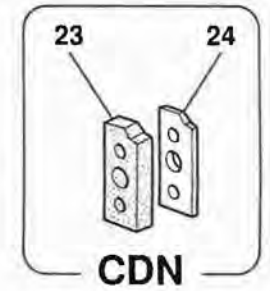
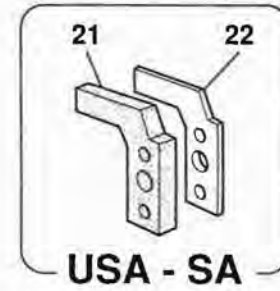
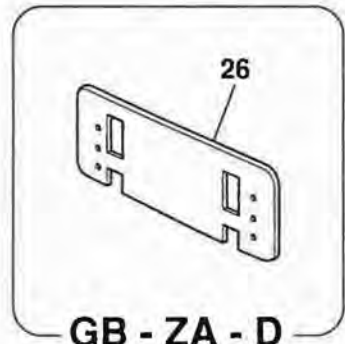
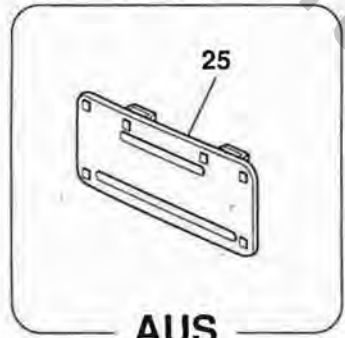
PORTE - RIVESTIMENTI INTERNI
DOORS - INNER TRIMS

TAV. 124

DATA: GIUGNO '95

Rif	Dis.N° Part.N°	Q.ty	Denominazione	Description
-	640344..	1	RIVESTIMENTO MOQUETTE CASTORO SX. -Con bordino in pelle-	L.H. BEAVER CARPET LINING -With leather edge-
-	640335..	1	RIVESTIMENTO MOQUETTE NERO DX. -Con bordino in pelle-	R.H. BLACK CARPET LINING -With leather edge-
-	640336..	1	RIVESTIMENTO MOQUETTE ROSSO DX. -Con bordino in pelle-	R.H. RED CARPET LINING -With leather edge-
-	640337..	1	RIVESTIMENTO MOQUETTE TESTA DI MORO DX. -Con bordino in pelle-	R.H. DARK BROWN CARPET LINING -With leather edge-
-	640338..	1	RIVESTIMENTO MOQUETTE BLU DX. -Con bordino in pelle-	R.H. BLUE CARPET LINING -With leather edge-
-	640339..	1	RIVESTIMENTO MOQUETTE CASTORO DX. -Con bordino in pelle-	R.H. BEAVER CARPET LINING -With leather edge-

Rif	Dis.N° Part.N°	Q.ty	Denominazione	Description
38	64694100	1	PROTEZIONE PANNELLO PORTA SX.	L.H. DOOR PANEL PROTECTION
-	64694000	1	PROTEZIONE PANNELLO PORTA DX.	R.H. DOOR PANEL PROTECTION
39	12642801	4	ROSETTA	WASHER
40	64630500	4	DADO	NUT
			-Vale per Spider-	-Valid for Spider-
			-Vale per Spider-	-Valid for Spider-
			-Vale per Spider-	-Valid for Spider-
			-Vale per Spider-	-Valid for Spider-
		<p>PER I CODICI DEI PARTICOLARI RIVESTITI IN PELLE E PER LE SERIE COMPLETE DEI TAPPETI MOQUETTE VEDI TAVOLA APPOSITA.</p> <p>SEE RELEVANT TABLE FOR CODES OF PARTS COVERED IN LEATHER AND FOR THE COMPLETE SERIES OF MOQUETTE CARPETS.</p>		



F355

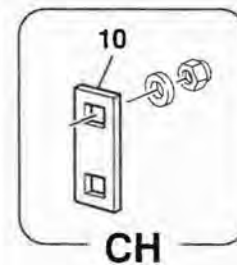
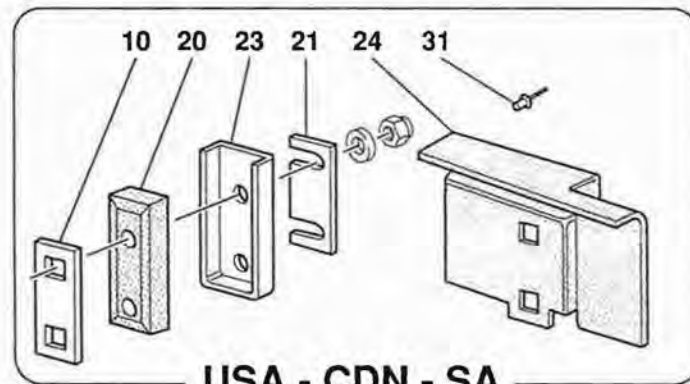
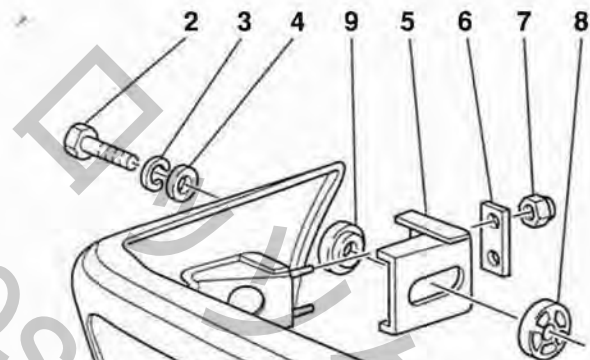
PARAURTI ANTERIORE
FRONT BUMPER

TAV. 125

DATA: GIUGNO '95

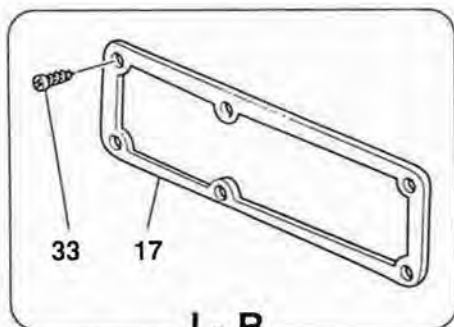
Rif	Dis.N° Part.N°	Q.ty	Denominazione	Description
1	64101510	1	PARAURTI ANT. -No per USA, CDN e SA-	FRONT BUMPER -Not for USA, CDN and SA-
-	64480610	1	PARAURTI ANT. -Vale per USA-	FRONT BUMPER -Valid for USA-
-	64513510	1	PARAURTI ANT. -Vale per CDN-	FRONT BUMPER -Valid for CDN-
-	64497610	1	PARAURTI ANT. -Vale per SA-	FRONT BUMPER -Valid for SA-
2	14507987	1	TAPPO	PLUG
3	15970921	2	VITE	SCREW
4	127497	2	ROSETTA	WASHER
5	12646801	2	ROSETTA	WASHER
6	62128200	2	TASSELLO ESTERNO	EXTERNAL SMALL BLOCK
7	62126500	2	STAFFA	BRACKET
8	62126600	2	PIASTRINA	PLATE
9	104030	4	DADO	NUT
10	62128300	2	TASSELLO INTERNO	INTERNAL SMALL BLOCK
11	64214300	1	PORTATARGA ANT. -Vale per I-	FRONT PLATE HOLDER -Valid for I-
12	62126700	4	DISTANZIALE -No per USA e CDN-	SPACER -Not for USA and CDN-
13	12646801	4	ROSETTA	WASHER
14	12574521	4	DADO	NUT
15	15916906	3	VITE	SCREW
16	64122300	1	"CAVALLINO RAMPANTE" ANT.	FRONT "CAVALLINO RAMPANTE"
17	12574011	2	DADO	NUT

Rif	Dis.N° Part.N°	Q.ty	Denominazione	Description
18	10519278	2	ROSETTA	WASHER
19	64122200	1	GRIGLIA ANT.	FRONT GRILL
20	62126200	2	BOCCOLA FISS. GRIGLIA	GRILL FIXING BUSHING
21	62550800	2	TAMPONE -Vale per USA e SA-	PAD -Valid for USA and SA-
22	62550900	2	SPESSORE -Vale per USA e SA-	THICKNESS -Valid for USA and SA-
23	63326200	2	TAMPONE -Vale per CDN-	PAD -Valid for CDN-
24	63359200	2	SPESSORE -Vale per CDN-	THICKNESS -Valid for CDN-
25	64684800	1	PORTATARGA ANT. -Vale per AUS-	FRONT PLATE HOLDER -Valid for AUS-
26	64621400	1	PORTATARGA ANT. -Vale per GB, ZA e D-	FRONT PLATE HOLDER -Valid for GB, ZA and D-
27	63954500	1	CONVOGLIATORE ARIA FRENI SX.	L.H. BRAKES AIR INLET
-	64244800	1	CONVOGLIATORE ARIA FRENI DX.	R.H. BRAKES AIR INLET
28	64530700	2	GUARNIZIONE	GASKET
29	12575411	8	DADO	NUT
30	12644424	8	ROSETTA	WASHER
31	64101700	2	STAFFA CENTRALE FISS. PARAURTI	BUMPER FIXING CENTRAL BRACKET
32	14048211	8	DADO	NUT
33	12646724	8	ROSETTA	WASHER
34	62556300	4	RIVETTO	RIVET

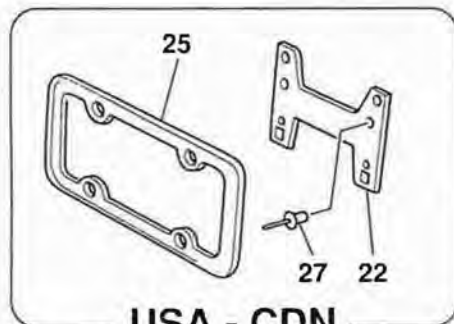


USA - CDN - SA

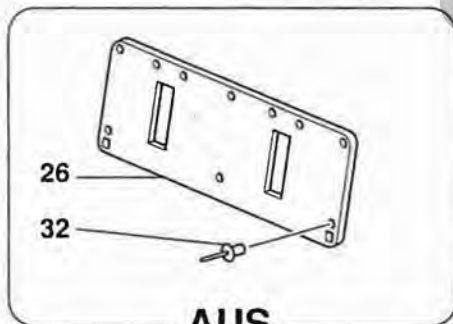
CH



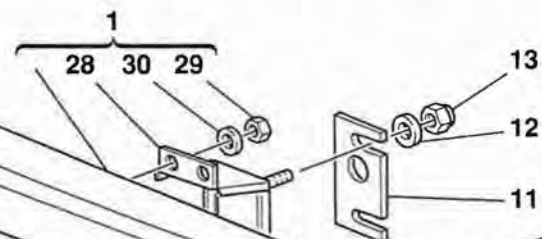
I - B



USA - CDN



AUS



14



15

16

18

19



USA - CDN - SA

F355

PARAURTI POSTERIORE
REAR BUMPER

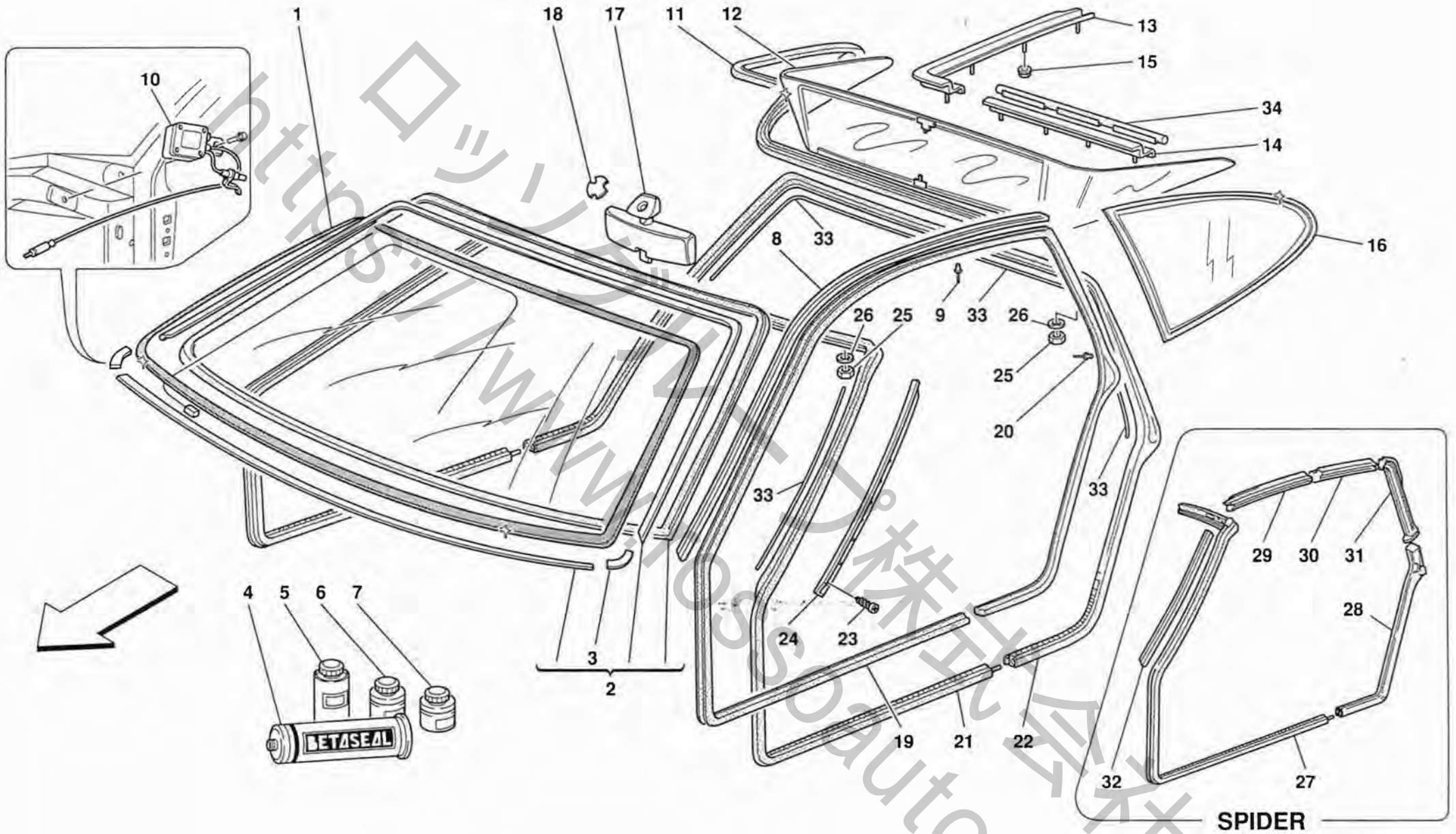
TAV. 126
DATA: GIUGNO '95

Rif	Dis.N° Part.N°	Q.ty	Denominazione	Description
1	64100410	1	PARAURTI POST. -No per USA, CDN e SA-	REAR BUMPER -Not for USA, CDN and SA-
-	64483810	1	PARAURTI POST. -Vale per USA-	REAR BUMPER -Valid for USA-
-	64513110	1	PARAURTI POST. -Vale per CDN-	REAR BUMPER -Valid for CDN-
-	64497310	1	PARAURTI POST. -Vale per SA-	REAR BUMPER -Valid for SA-
2	15970921	2	VITE	SCREW
3	127497	2	ROSETTA	WASHER
4	12646801	2	ROSETTA	WASHER
5	62126500	2	STAFFA	BRACKET
6	62126600	2	PIASTRINA	PLATE
7	104030	4	DADO	NUT
8	62128300	2	TASSELLO INTERNO	INTERNAL SMALL BLOCK
9	62128200	2	TASSELLO ESTERNO	EXTERNAL SMALL BLOCK
10	62845700	2	ISOLANTE PER STAFFA -Vale per USA, CDN, CH e SA-	INSULATOR FOR BRACKET -Valid for USA, CDN, CH and SA-
11	62126800	4	DISTANZIALE -No per USA, CDN e SA-	SPACER -Not for USA, CDN and SA-
12	12644301	4	ROSETTA	WASHER
13	12574521	4	DADO	NUT
14	10857790	2	LAMPADA	BULB
15	146446	2	FANALE ILLUMINAZIONE TARGA	NUMBER PLATE LIGHT
16	15644178	4	VITE	SCREW
17	60097003	1	CORNICE TARGA POST. -Vale per I e B-	REAR NUMBER PLATE RIM -Valid for I and B-
18	153479	1	CAVI LUCI TARGA	CABLES FOR NUMBER PLATE LIGHTS
19	10399180	1	ANELLO PASSAFILO	CABLE GROMMET
20	62551000	1	TAMPONE -Vale per USA, CDN e SA-	PAD -Valid for USA, CDN and SA-
21	62551100	4	SPESSORE -Vale per USA, CDN e SA-	THICKNESS -Valid for USA, CDN and SA-
22	64497800	1	SUPPORTO TARGA POST. -Vale per USA e CDN-	REAR NUMBER PLATE SUPPORT -Valid for USA and CDN-

Tavola 126 - PARAURTI POSTERIORE REAR BUMPER

Rif	Dis.N° Part.N°	Q.ty	Denominazione	Description
23	64508800	2	RIPARO CALORE -Vale per USA, CDN e SA-	HEAT SHIELD -Valid for USA, CDN and SA-
24	64774800	1	PARATIA DX. RIPARO CALORE -Vale per USA, CDN e SA-	R.H. HEAT PROTECTION SHIELD -Valid for USA, CDN and SA-
-	64774900	1	PARATIA SX. RIPARO CALORE -Vale per USA, CDN e SA-	L.H. HEAT PROTECTION SHIELD -Valid for USA, CDN and SA-
25	60987900	1	CORNICE TARGA POST. -Vale per USA e CDN-	REAR NUMBER PLATE RIM -Valid for USA and CDN-
26	64684500	1	SUPPORTO TARGA POST. -Vale per AUS-	REAR NUMBER PLATE SUPPORT -Valid for AUS-
27	62738200	4	RIVETTO -Vale per USA e CDN-	RIVET -Valid for USA and CDN-
28	64100600	2	STAFFA CENTRALE FISS. PARAURTI	BUMPER FIXING CENTRAL BRACKET
29	14048211	8	DADO	NUT
30	12646724	8	ROSETTA	WASHER
31	60174307	2	RIVETTO -Vale per USA, CDN e SA-	RIVET -Valid for USA, CDN and SA-
32	62556300	6	RIVETTO -Vale dalla vett. Ass. Nr. 18789-	RIVET -Valid from car Ass. Nr. 18789-
33	15688078	6	VITE -Vale per AUS-	SCREW -Valid for AUS-
34	64624600	1	ANGOLARE DX. -Vale per USA, CDN e SA-	R.H. ANGLE PIECE -Valid for USA, CDN and SA-
-	64624700	1	ANGOLARE SX. -Vale per USA, CDN e SA-	L.H. ANGLE PIECE -Valid for USA, CDN and SA-
35	62738200	8	RIVETTO -Vale per USA, CDN e SA-	RIVET -Valid for USA, CDN and SA-
			-Vale fino alla vett. Ass. Nr. 18788-	-Valid till car Ass. Nr. 18788-

Tavola 126



F355

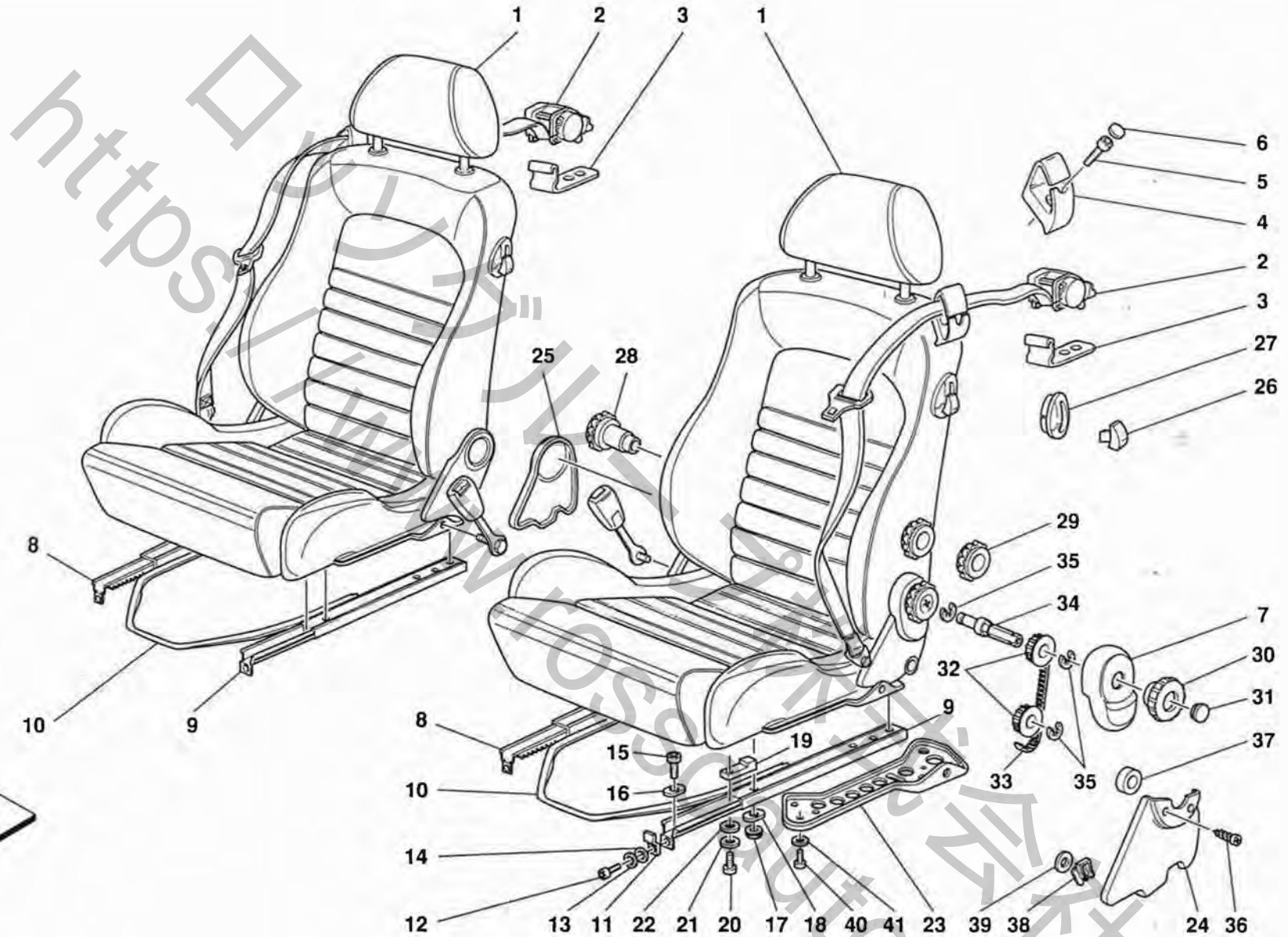
CRISTALLI E GUARNIZIONI
GLASSES AND GASKETS

TAV. 127

DATA: GIUGNO '95

Rif	Dis. n° Part. N°	Q.ty	Denominazione	Description
1	64426800	1	CRISTALLO PARABREZZA	WINDSCREEN GLASS
2	62198800	1	CORNICE COMPLETA	COMPLETE FRAME
3	62199200	1	COPRIGIUNTO DX.	R.H. JOINT COVERING
-	62199300	1	COPRIGIUNTO SX.	L.H. JOINT COVERING
4	63597000	1	COLLANTE PARABREZZA	WINDSHIELD ADHESIVE
5	63397600	1	SGRASSANTE PARABREZZA	WINDSHIELD DEGREASER
6	62864800	2	PRIMER PER VETRO	PRIMER FOR GLASS
7	62864900	2	PRIMER PER VERNICE SEDE PARABREZZA	PRIMER FOR WINDSHIELD GUIDE PAINT
8	64528000	1	GUARNIZIONE GOCCIOLATOIO SX. -Vale per BERLINETTA-	L.H. TROUGH GASKET -Valid for BERLINETTA-
-	64527900	1	GUARNIZIONE GOCCIOLATOIO DX. -Vale per BERLINETTA-	R.H. TROUGH GASKET -Valid for BERLINETTA-
9	60677000	20	RIVETTO -Vale per BERLINETTA-	RIVET -Valid for BERLINETTA-
10	152497	1	PREAMPLIFICATORE PER ANTENNA	ANTENNA PREAMPLIFIER
11	62093900	1	GUARNIZIONE LUNOTTO	REAR WINDOW GASKET
12	62080000	1	CRISTALLO LUNOTTO TERMICO	REAR-WINDOW GLASS WITH DEFROSTER
13	62159700	1	MODANATURA LATERALE DX.	R.H. SIDE MOULDING
-	62159800	1	MODANATURA LATERALE SX.	L.H. SIDE MOULDING
14	62094500	1	MODANATURA CENTRALE	CENTRAL MOULDING
15	14039414	12	DADO	NUT
16	62093800	1	CRISTALLO LATERALE POST. SX. -Completo di guarnizioni-	L.H. REAR SIDE GLASS -Completed with gaskets-
-	62093700	1	CRISTALLO LATERALE POST. DX. -Completo di guarnizioni-	R.H. REAR SIDE GLASS -Completed with gaskets-
17	62876100	1	SPECCHIO RETROVISORE INTERNO	INNER REAR VIEW MIRROR
18	63012600	1	FINIZIONE SPECCHIO RETROVISORE INTERNO	INNER REAR VIEW MIRROR TRIM
19	63620200	1	GUARNIZIONE VANO PORTA SX. -Vale per BERLINETTA-	GASKET FOR L.H. DOOR OPENING -Valid for BERLINETTA-
-	63620100	1	GUARNIZIONE VANO PORTA DX. -Vale per BERLINETTA-	GASKET FOR R.H. DOOR OPENING -Valid for BERLINETTA-
20	60853400	2	RIVETTO -Vale per BERLINETTA-	RIVET -Valid for BERLINETTA-
21	64338800	1	GUARNIZIONE ANT. VANO PORTA -Vale per GTS-	FRONT GASKET FOR DOOR OPENING -Valid for GTS-
22	64338900	1	GUARNIZIONE POST. VANO PORTA -Vale per GTS-	REAR GASKET FOR DOOR OPENING -Valid for GTS-

Rif	Dis. N° Part. N°	Q.ty	Denominazione	Description
23	15914977	18	VITE -Vale per GTS-	SCREW -Valid for GTS-
24	64342700	1	GOCCIOLATOIO MONTANTE SX. -Vale per GTS-	L.H. GUTTER PILLAR -Valid for GTS-
-	64342600	1	GOCCIOLATOIO MONTANTE DX. -Vale per GTS-	R.H. GUTTER PILLAR -Valid for GTS-
25	12574111	4	DADO -Vale per GTS-	NUT -Valid for GTS-
26	10519301	4	ROSETTA -Vale per GTS-	WASHER -Valid for GTS-
27	63617800	1	GUARNIZIONE ANT. VANO PORTA -Vale per Spider-	FRONT GASKET FOR DOOR OPENING -Valid for Spider-
28	63617900	1	GUARNIZIONE POST. SX. VANO PORTA -Vale per Spider-	L.H. REAR GASKET FOR DOOR OPENING -Valid for Spider-
-	63961000	1	GUARNIZIONE POST. DX. VANO PORTA -Vale per Spider-	R.H. REAR GASKET FOR DOOR OPENING -Valid for Spider-
29	63633100	1	GUARNIZIONE ANT. SX. CAPOTE -Vale per Spider-	TOP L.H. FRONT GASKET -Valid for Spider-
-	63633000	1	GUARNIZIONE ANT. DX. CAPOTE -Vale per Spider-	TOP R.H. FRONT GASKET -Valid for Spider-
30	63633300	1	GUARNIZIONE CENTRALE SX. -Vale per Spider-	L.H. CENTER GASKET -Valid for Spider-
-	63633200	1	GUARNIZIONE CENTRALE DX. -Vale per Spider-	R.H. CENTER GASKET -Valid for Spider-
31	63633500	1	GUARNIZIONE POST. SX. CAPOTE -Vale per Spider-	TOP L.H. REAR GASKET -Valid for Spider-
-	63633400	1	GUARNIZIONE POST. DX. CAPOTE -Vale per Spider-	TOP R.H. REAR GASKET -Valid for Spider-
32	64374600	1	GUARNIZIONE GOCCIOLATOIO SX. -Vale per Spider-	L.H. TROUGH GASKET -Valid for Spider-
-	64374500	1	GUARNIZIONE GOCCIOLATOIO DX. -Vale per Spider-	R.H. TROUGH GASKET -Valid for Spider-
33	61740700	-	SIGILLANTE PER GUARNIZIONE ANT. E POST. -Vale per GTS-	SEALING FOR FRONT AND REAR GASKET -Valid for GTS-
34	64600200	1	GUARNIZIONE	GASKET



F355

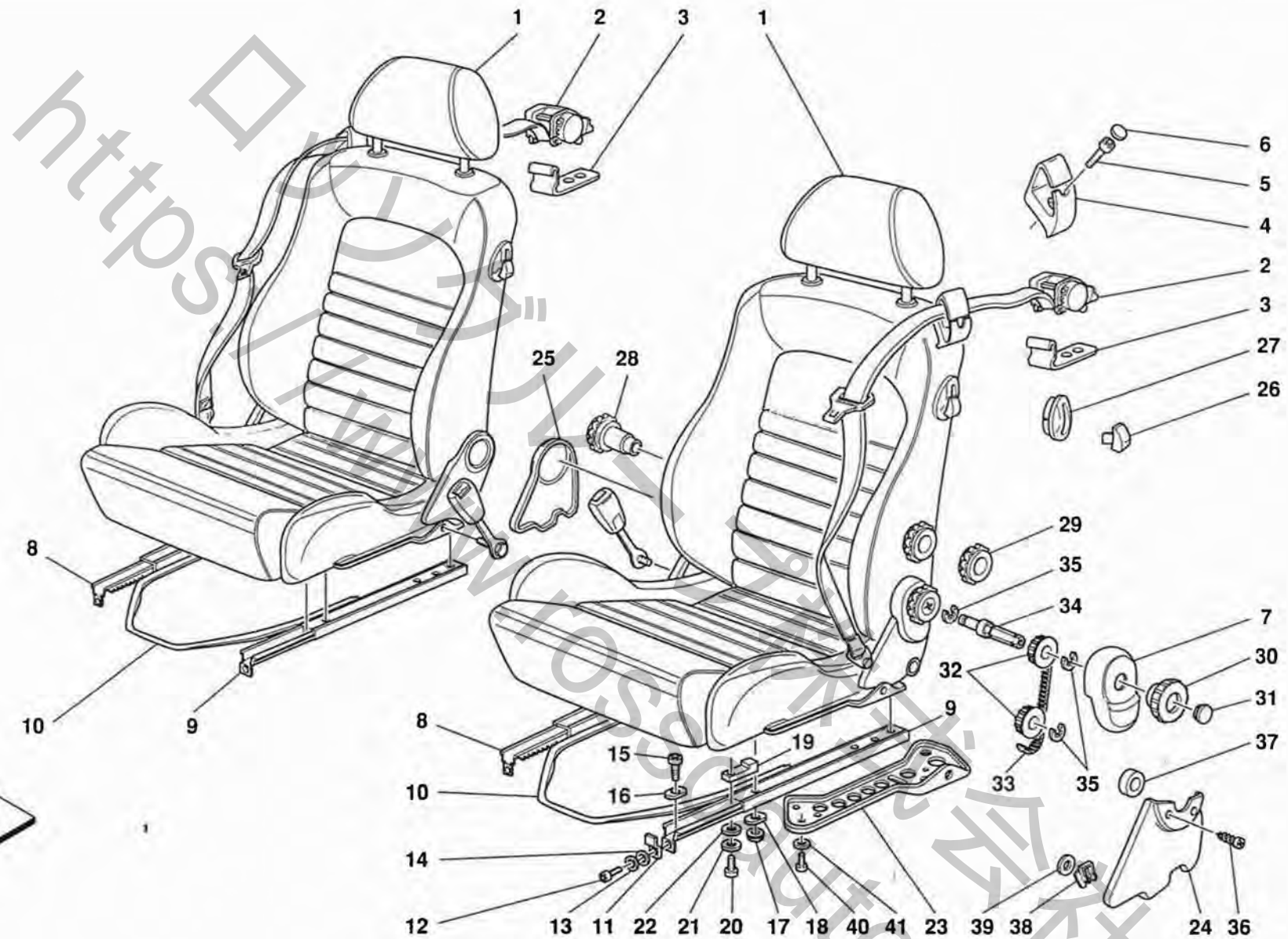
SEDILI E CINTURE DI SICUREZZA -COMFORT -No per spider -
SEATS AND SAFETY BELTS -COMFORT -Not for spider -

TAV. 128

DATA: GIUGNO '95

Rif	Dis. n° Part. N°	Q.ty	Denominazione	Description
-	643194..	1	SEDILE DX. COMPLETO -No per GD-	COMPLETE R.H. SEAT -Not for GD-
-	644284..	1	SEDILE DX. COMPLETO -Vale per GD-	COMPLETE R.H. SEAT -Valid for GD-
-	643195..	1	SEDILE SX. COMPLETO -No per GD-	COMPLETE L.H. SEAT -Not for GD-
-	644285..	1	SEDILE SX. COMPLETO -Vale per GD-	COMPLETE L.H. SEAT -Valid for GD-
-	643456..	1	CENTRALE SCHIENALE DX.	R.H. SEAT BACK CENTRAL
-	643398..	1	CENTRALE SCHIENALE SX.	L.H. SEAT BACK CENTRAL
-	643400..	2	RIVESTIMENTO CENTRALE SCHIENALE	SEAT BACK CENTRAL LINING
-	643455..	1	RIVESTIMENTO PERIFERICO SCHIENALE DX. -No per GD-	R.H. SEAT BACK PERIPHERAL LINING -Not for GD-
-	644289..	1	RIVESTIMENTO PERIFERICO SCHIENALE DX. -Vale per GD-	R.H. SEAT BACK PERIPHERAL LINING -Valid for GD-
-	643397..	1	RIVESTIMENTO PERIFERICO SCHIENALE SX. -No per GD-	L.H. SEAT BACK PERIPHERAL LINING -Not for GD-
-	644293..	1	RIVESTIMENTO PERIFERICO SCHIENALE SX. -Vale per GD-	L.H. SEAT BACK PERIPHERAL LINING -Valid for GD-
-	643401..	2	CENTRALE CUSCINO	CUSHION CENTRAL
-	643403..	2	RIVESTIMENTO CENTRALE CUSCINO	CUSHION CENTRAL LINING
-	643409..	2	RIVESTIMENTO APPOGGIAGAMBE	CALF-REST LINING
-	643405..	2	RIVESTIMENTO LATERALE DX. CUSCINO	CUSHION R.H. LATERAL LINING
-	643407..	2	RIVESTIMENTO LATERALE SX. CUSCINO	CUSHION L.H. LATERAL LINING
1	643410..	2	APPOGGIATESTA RIVESTITO	UPHOLSTERED HEAD-REST
-	643413..	2	RIVESTIMENTO APPOGGIATESTA	HEAD REST UPHOLSTERY
2	64387700	1	ASSIEME CINTURE DI SICUREZZA -No per USA, CDN, SA e J- -Vale fino ad esaurimento-	SAFETY BELTS ASSEMBLY -Not for USA, CDN, SA and J- -Valid till stock exhaustion-
-	64678500	1	ASSIEME CINTURE DI SICUREZZA -No per USA, CDN, SA e J- -Vale dopo esaurimento del 64387700-	SAFETY BELTS ASSEMBLY -Not for USA, CDN, SA and J- -Valid after stock exhaustion of 64387700-
-	64476300	1	ASSIEME CINTURE DI SICUREZZA -Vale per USA, CDN, SA e J-	SAFETY BELTS ASSEMBLY -Valid for USA, CDN, SA and J-

Rif	Dis. N° Part. N°	Q.ty	Denominazione	Description
3	63377800	2	STAFFA TENDICINGHIA	BELT TIGHTENING BRACKET
4	64331600	2	PASSANASTRO COMPLETO	COMPLETE BELT-SLIDING
5	64348200	2	VITE	SCREW
6	64341400	1	TAPPO PER VITE	PLUG FOR SCREW
7	643417..	1	COPERTURA RINVIO SX.	L.H. TRANSMISSION COVER
-	643458..	1	COPERTURA RINVIO DX.	R.H. TRANSMISSION COVER
8	64339300	2	GUIDA DX.	R.H. GUIDE
9	64339400	2	GUIDA SX.	L.H. GUIDE
10	64339500	2	FORCELLA COMANDO GUIDE	GUIDE CONTROL FORK
11	62844500	4	PIASTRINO	SMALL PLATE
12	40294308	4	VITE	SCREW
13	12601374	4	ROSETTA	WASHER
14	14496506	4	ROSETTA	WASHER
15	40294308	4	VITE	SCREW
16	63395300	4	PIASTRINA ELASTICA	ELASTIC PLATE
17	64342800	8	DADO	NUT
18	63395300	8	PIASTRINA ELASTICA	ELASTIC PLATE
19	63698000	4	STAFFETTA FINE CORSA	STOP BRACKET
20	10902024	4	VITE	SCREW
21	160957	4	ROSETTA	WASHER
22	12644424	4	ROSETTA	WASHER
23	64331400	2	ADATTATORE SX.	L.H. ADAPTER
-	64331500	2	ADATTATORE DX.	R.H. ADAPTER
24	643420..	1	COPRISNODO ESTERNO SEDILE SX.	L.H. SEAT OUTER JOINT COVER
-	643462..	1	COPRISNODO ESTERNO SEDILE DX.	R.H. SEAT OUTER JOINT COVER
25	643423..	1	COPRISNODO INTERNO SEDILE SX.	L.H. SEAT INNER JOINT COVER
-	643460..	1	COPRISNODO INTERNO SEDILE DX.	R.H. SEAT INNER JOINT COVER
26	64341600	2	LEVA SGANCIO SEDILE	SEAT RELEASE LEVER
27	64341500	2	CORNICE PER LEVA	FRAME FOR LEVER
28	64331000	1	MANOPOLA REGOLAZIONE LOMBARE	LUMBAR ADJUSTMENT KNOB
29	64330900	1	MANOPOLA REGOLAZIONE FIANCHETTI	SIDES ADJUSTMENT KNOB
30	64331300	2	MANOPOLA REGOLAZIONE SCHIENALE	SEAT BACK ADJUSTMENT KNOB
31	64330800	1	TAPPO PER MANOPOLA	PLUG FOR KNOB
32	64330700	4	PULEGGIA COMANDO RINVIO	ARTICULATED JOINT CONTROL PULLEY
33	64796000	2	CINGHIA COLLEG. PULEGGIE	PULLEYS CONNECTING BELT
34	64795500	2	PERNO	PIN
35	64795600	6	ANELLO SEEGER	SEEGER RING
36	64428200	4	VITE	SCREW



F355

SEDILI E CINTURE DI SICUREZZA -COMFORT -No per spider -

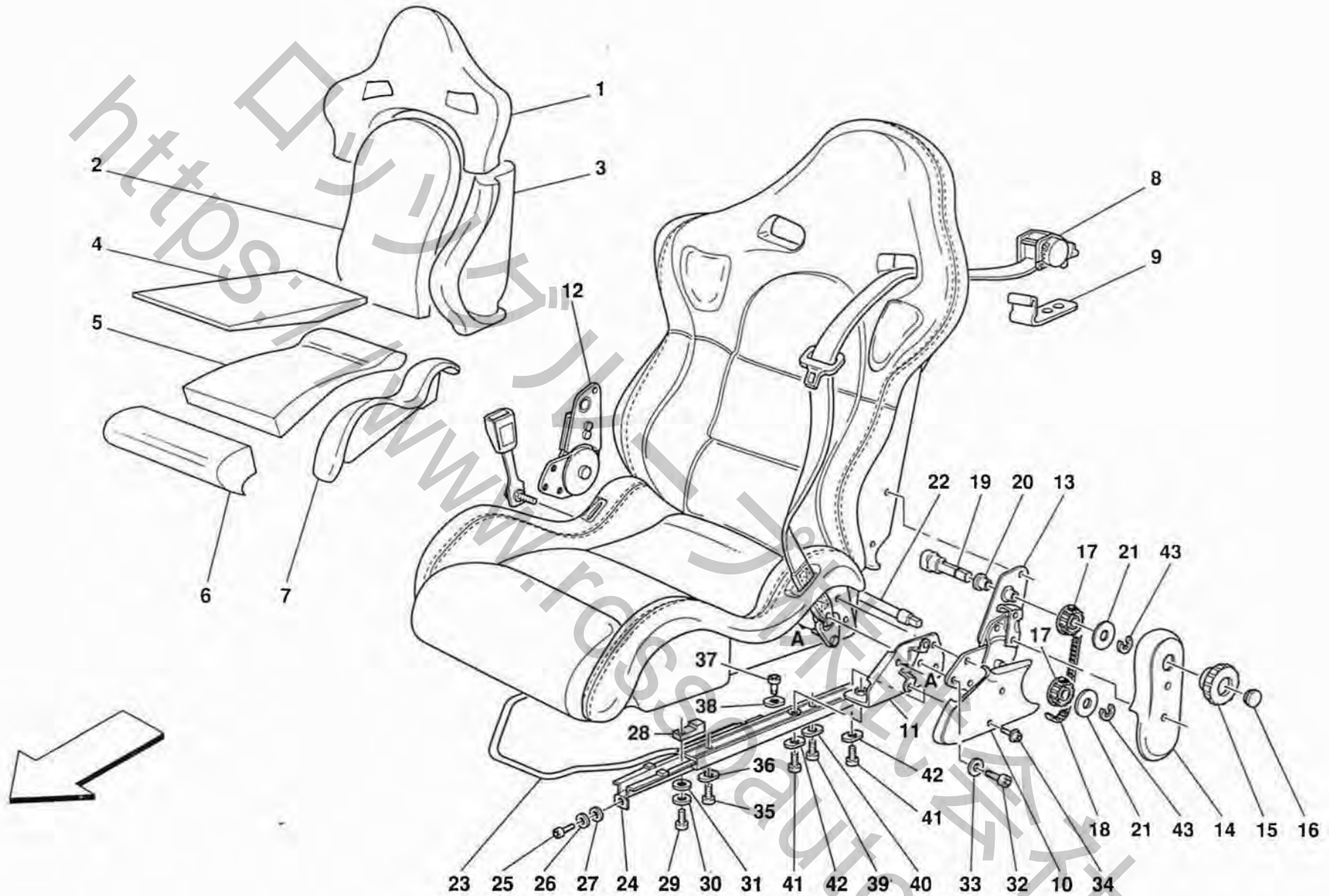
SEATS AND SAFETY BELTS -COMFORT -Not for spider -

TAV. 128

DATA: GIUGNO '95

<i>Rif</i>	<i>Dis.N° Part.N°</i>	<i>Q.ty</i>	<i>Denominazione</i>	<i>Description</i>
37	64341900	2	DISTANZIALE	SPACER
38	64795700	4	MOLLETTA	CLIP
39	64795800	4	ROSETTA	WASHER
40	64348400	12	VITE	SCREW
41	64428300	12	RONDELLA	WASHER

<i>Rif</i>	<i>Dis.N° Part.N°</i>	<i>Q.ty</i>	<i>Denominazione</i>	<i>Description</i>
<p>PER I CODICI DEI PARTICOLARI RIVESTITI IN PELLE E PER LE SERIE COMPLETE DEI TAPPETI MOQUETTE VEDI TAVOLA APPOSITA.</p> <p>SEE RELEVANT TABLE FOR CODES OF PARTS COVERED IN LEATHER AND FOR THE COMPLETE SERIES OF MOQUETTE CARPETS.</p>				



F355

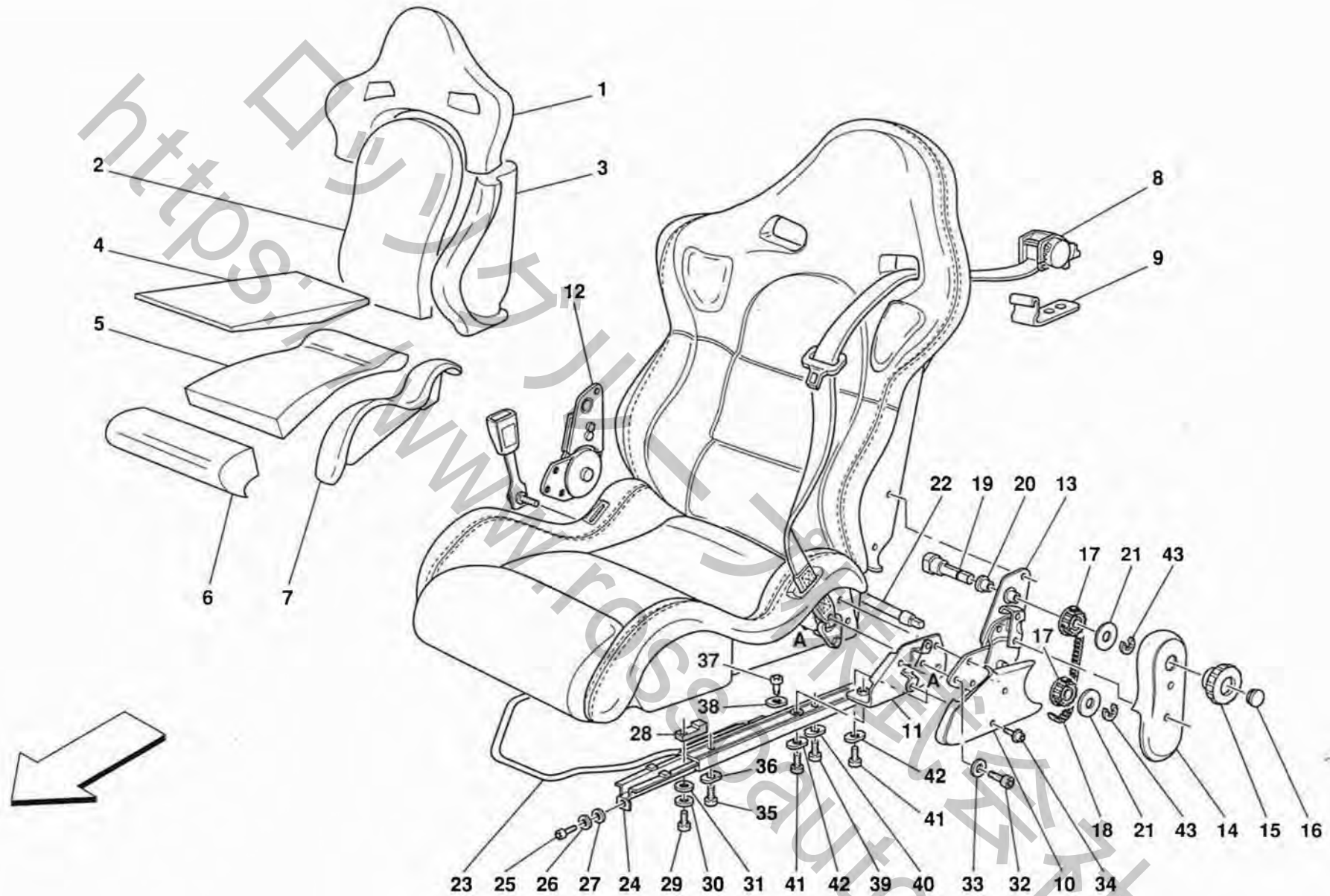
SEDILI E CINTURE DI SICUREZZA -SPORT -No per spider -
SEATS AND SAFETY BELTS -SPORT -Not for spider -

TAV. 129

DATA: GIUGNO '95

Rif	Dis.N° Part.N°	Q.ty	Denominazione	Description
-	647345..	1	SEDILE SX. "LARGO" COMPLETO -Alcantara Rosso-	COMPLETE "LARGE" L.H. SEAT -Red Alcantara-
-	647346..	1	SEDILE SX. "LARGO" COMPLETO -Alcantara Nero-	COMPLETE "LARGE" L.H. SEAT -Black Alcantara-
-	647347..	1	SEDILE SX. "LARGO" COMPLETO -Alcantara Beige-	COMPLETE "LARGE" L.H. SEAT -Beige Alcantara-
-	644804..	1	SEDILE SX. "LARGO" COMPLETO -Pelle-	COMPLETE "LARGE" L.H. SEAT -Leather-
-	647351..	1	SEDILE SX. "STRETTO" COMPLETO -Alcantara Rosso-	COMPLETE "NARROW" L.H. SEAT -Red Alcantara-
-	647352..	1	SEDILE SX. "STRETTO" COMPLETO -Alcantara Nero-	COMPLETE "NARROW" L.H. SEAT -Black Alcantara-
-	647353..	1	SEDILE SX. "STRETTO" COMPLETO -Alcantara Beige-	COMPLETE "NARROW" L.H. SEAT -Alcantara Beige-
-	646064..	1	SEDILE SX. "STRETTO" COMPLETO -Pelle-	COMPLETE "NARROW" L.H. SEAT -Leather-
-	647342..	1	SEDILE DX. "LARGO" COMPLETO -Alcantara Rosso-	COMPLETE "LARGE" R.H. SEAT -Red Alcantara-
-	647343..	1	SEDILE DX. "LARGO" COMPLETO -Alcantara Nero-	COMPLETE "LARGE" R.H. SEAT -Black Alcantara-
-	647344..	1	SEDILE DX. "LARGO" COMPLETO -Alcantara Beige-	COMPLETE "LARGE" R.H. SEAT -Beige Alcantara-
-	644801..	1	SEDILE DX. "LARGO" COMPLETO -Pelle-	COMPLETE "LARGE" R.H. SEAT -Leather-
-	647348..	1	SEDILE DX. "STRETTO" COMPLETO -Alcantara Rosso-	COMPLETE "NARROW" R.H. SEAT -Red Alcantara-
-	647349..	1	SEDILE DX. "STRETTO" COMPLETO -Alcantara Nero-	COMPLETE "NARROW" R.H. SEAT -Black Alcantara-
-	647350..	1	SEDILE DX. "STRETTO" COMPLETO -Alcantara Beige-	COMPLETE "NARROW" R.H. SEAT -Alcantara Beige-
-	646063..	1	SEDILE DX. "STRETTO" COMPLETO -Pelle-	COMPLETE "NARROW" R.H. SEAT -Leather-
-	64792900	2	CUSCINO COMPLETO RIVESTITO -Alcantara Rosso-	UPHOLSTERED COMPLETE CUSHION -Red Alcantara-
-	64793000	2	CUSCINO COMPLETO RIVESTITO -Alcantara Nero-	UPHOLSTERED COMPLETE CUSHION -Black Alcantara-
-	64793100	2	CUSCINO COMPLETO RIVESTITO -Alcantara Beige-	UPHOLSTERED COMPLETE CUSHION -Beige Alcantara-
-	645320..	2	RIVESTIMENTO COMPLETO APPOGGIAGAMBE -Pelle-	CALF-REST COMPLETE UPHOLSTERY -Leather-

Rif	Dis.N° Part.N°	Q.ty	Denominazione	Description
-	643991..	2	RIVESTIMENTO LATERALE SX. COMPLETO CUSCINO -Pelle-	CUSHION COMPLÈTE L.H. LATERAL UPHOLSTERY -Leather-
-	643348..	2	RIVESTIMENTO LATERALE DX. COMPLETO CUSCINO -Pelle-	CUSHION COMPLETE R.H. LATERAL UPHOLSTERY -Leather-
1	64346700	2	SCHIUMA SUPERIORE E LATERALE SCHIENALE	SEAT BACK UPPER AND LATERAL FOAM
2	64348000	2	SCHIUMA CENTRALE SCHIENALE	SEAT BACK CENTRAL FOAM
3	64605500	1	SCHIUMA LATERALE SX. SCHIENALE -Tipo Largo-	SEAT BACK L.H. LATERAL FOAM -Large Type-
-	64605700	1	SCHIUMA LATERALE SX. SCHIENALE -Tipo Stretto-	SEAT BACK L.H. LATERAL FOAM -Narrow Type-
-	64605400	1	SCHIUMA LATERALE DX. SCHIENALE -Tipo Largo-	SEAT BACK R.H. LATERAL FOAM -Large Type-
-	64605600	1	SCHIUMA LATERALE DX. SCHIENALE -Tipo Stretto-	SEAT BACK R.H. LATERAL FOAM -Narrow Type-
4	64347800	2	SCHIUMA CENTRALE SUPERIORE CUSCINO -Tipo Largo-	CUSHION UPPER CENTRAL FOAM -Large Type-
-	64679100	2	SCHIUMA CENTRALE SUPERIORE CUSCINO -Tipo Stretto-	CUSHION UPPER CENTRAL FOAM -Narrow Type-
5	64605800	2	SCHIUMA CENTRALE INFERIORE CUSCINO	CUSHION LOWER CENTRAL FOAM
6	64532400	2	SCHIUMA APPOGGIAGAMBE	CALF-REST FOAM
7	64399000	1	SCHIUMA LATERALE SX. CUSCINO -Tipo Largo-	CUSHION L.H. LATERAL FOAM -Large Type-
-	64606000	1	SCHIUMA LATERALE SX. CUSCINO -Tipo Stretto-	CUSHION L.H. LATERAL FOAM -Narrow Type-
-	64334700	1	SCHIUMA LATERALE DX. CUSCINO -Tipo Largo-	CUSHION R.H. LATERAL FOAM -Large Type-
-	64605900	1	SCHIUMA LATERALE DX. CUSCINO -Tipo Stretto-	CUSHION R.H. LATERAL FOAM -Narrow Type-
8	64473400	1	ASSIEME CINTURE DI SICUREZZA -No per USA, CDN, SA e J- -Vale fino ad esaurimento-	SAFETY BELTS ASSEMBLY -Not for USA, CDN, SA and J- -Valid till stock exhaustion-
-	64678600	1	ASSIEME CINTURE DI SICUREZZA -No per USA, CDN, SA e J- -Vale dopo esaurimento del 64473400-	SAFETY BELTS ASSEMBLY -Not for USA, CDN, SA and J- -Valid after stock exhaustion of 64473400-



F355

SEDILI E CINTURE DI SICUREZZA -SPORT -No per spider -
SEATS AND SAFETY BELTS -SPORT -Not for spider -

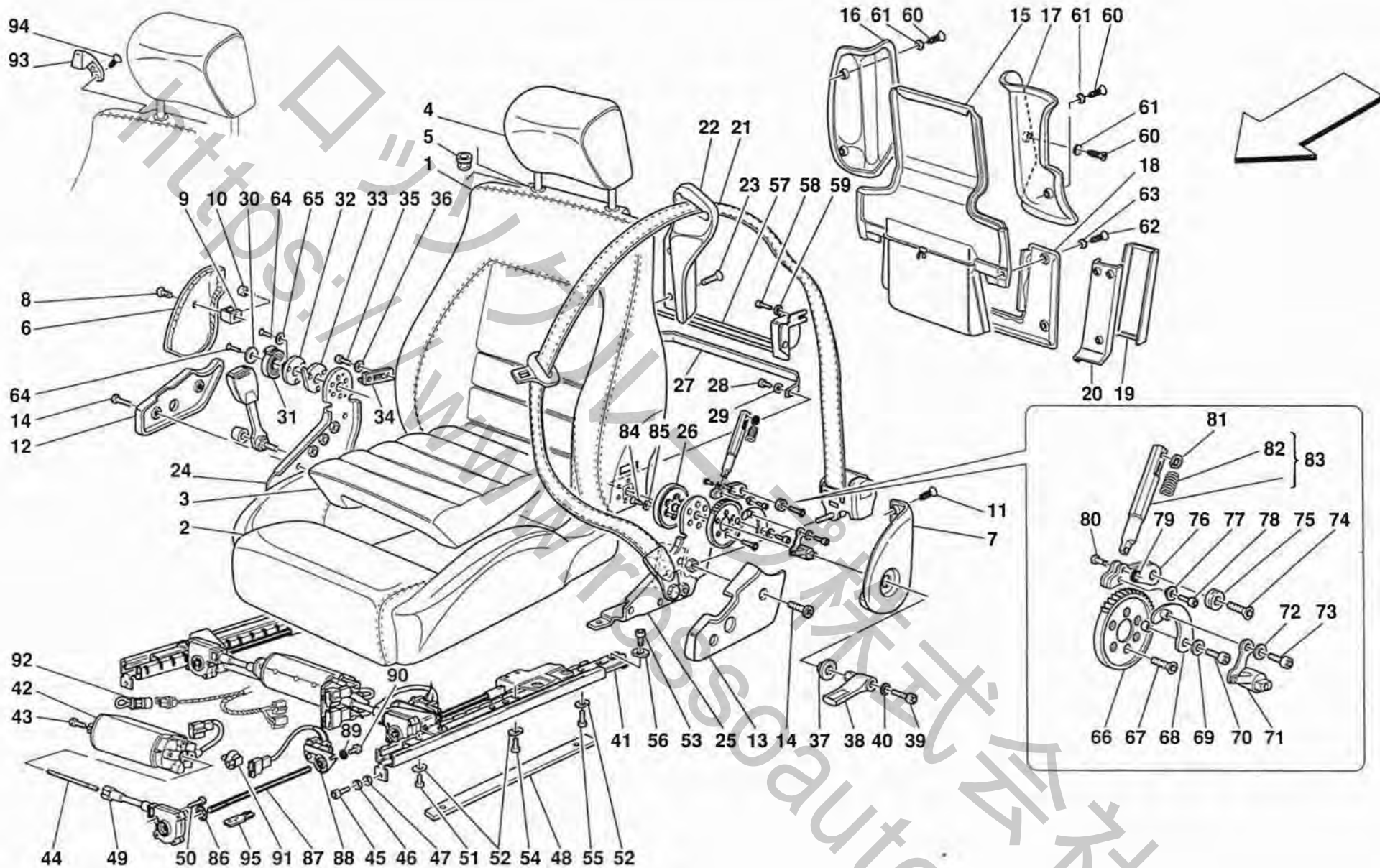
TAV. 129

DATA: GIUGNO '95

Rif	Dis.N Part.N°	Q.ty	Denominazione	Description
-	64488300	1	ASSIEME CINTURE DI SICUREZZA -Vale per USA, CDN, SA e J-	SAFETY BELTS ASSEMBLY -Valid for USA, CDN, SA and J-
9	63377800	2	STAFFA TENDICINGHIA	BELT TIGHTENING BRACKET
10	64347200	2	RICOPRIMENTO RINVIO SX. SEDILE	SEAT L.H. TRANSMISSION COVER
-	64348600	2	RICOPRIMENTO RINVIO DX. SEDILE	SEAT R.H. TRANSMISSION COVER
11	64321200	2	STAFFA SX.	L.H. BRACKET
-	64321400	2	STAFFA DX.	R.H. BRACKET
12	64346900	1	REGOLATORE INTERNO SEDILE SX.	L.H. SEAT BACK INNER ADJUSTER
-	64348500	1	REGOLATORE INTERNO SEDILE DX.	R.H. SEAT BACK INNER ADJUSTER
13	64328700	1	REGOLATORE ESTERNO SEDILE SX.	L.H. SEAT BACK OUTER ADJUSTER
-	64329300	1	REGOLATORE ESTERNO SEDILE DX.	R.H. SEAT BACK OUTER ADJUSTER
14	64347400	1	RICOPRIMENTO SNODO ESTERNO SEDILE SX.	L.H. SEAT OUTER ARTICULATED JOINT COVER
-	64348900	1	RICOPRIMENTO SNODO ESTERNO SEDILE DX.	R.H. SEAT OUTER ARTICULATED JOINT COVER
-	64347500	1	RICOPRIMENTO SNODO INTERNO SEDILE SX.	L.H. SEAT INNER ARTICULATED JOINT COVER
-	64348800	1	RICOPRIMENTO SNODO INTERNO SEDILE DX.	R.H. SEAT INNER ARTICULATED JOINT COVER
15	64331300	2	MANOPOLA REGOLAZIONE SCHIENALE	SEAT BACK ADJUSTING KNOB
16	64330800	1	TAPPO PER MANOPOLA	PLUG FOR KNOB
17	64330700	4	PULEGGIA COMANDO RINVIO	ARTICULATED JOINT CONTROL PULLEY
18	64347100	2	CINGHIA COLLEG. PULEGGIE	PULLEYS CONNECTING BELT
19	64328200	2	PERNO	PIN
20	64347000	2	BOCCOLA AUTOLUBRIFICANTE	SELF-LUBRICATING BUSHING
21	64347700	4	RONDELLA	WASHER
22	64347600	2	ASTA COLLEGAMENTO SNODO	ARTICULATED JOINT CONNECTION ROD

Rif	Dis.N° Part.N°	Q.ty	Denominazione	Description
23	64339500	2	FORCELLA COMANDO GUIDE	GUIDE CONTROL FORK
24	64339400	2	GUIDA SX.	L.H. GUIDE
-	64339300	2	GUIDA DX.	R.H. GUIDE
25	40294308	4	VITE	SCREW
26	12601374	4	ROSETTA	WASHER
27	14496506	4	ROSETTA	WASHER
28	64322300	4	STAFFETTA FINE CORSA	STOP BRACKET
29	10902024	4	VITE	SCREW
30	160957	4	ROSETTA	WASHER
31	12644424	4	ROSETTA	WASHER
32	63929800	20	VITE	SCREW
33	14496506	16	ROSETTA	WASHER
34	64460500	16	VITE	SCREW
35	14306334	4	VITE	SCREW
36	63395300	4	PIASTRINA ELASTICA	ELASTIC PLATE
37	40294308	4	VITE	SCREW
38	63395300	4	PIASTRINA ELASTICA	ELASTIC PLATE
39	20293306	4	VITE	SCREW
40	63395300	4	PIASTRINA ELASTICA	ELASTIC PLATE
41	14306334	4	VITE	SCREW
42	63395300	4	PIASTRINA ELASTICA	ELASTIC PLATE
43	16160976	4	ANELLO ELASTICO	FLEXIBLE RING

PER I CODICI DEI PARTICOLARI RIVESTITI IN PELLE E PER LE SERIE COMPLETE DEI TAPPETI MOQUETTE VEDI TAVOLA APPOSITA. SEE RELEVANT TABLE FOR CODES OF PARTS COVERED IN LEATHER AND FOR THE COMPLETE SERIES OF MOQUETTE CARPETS.



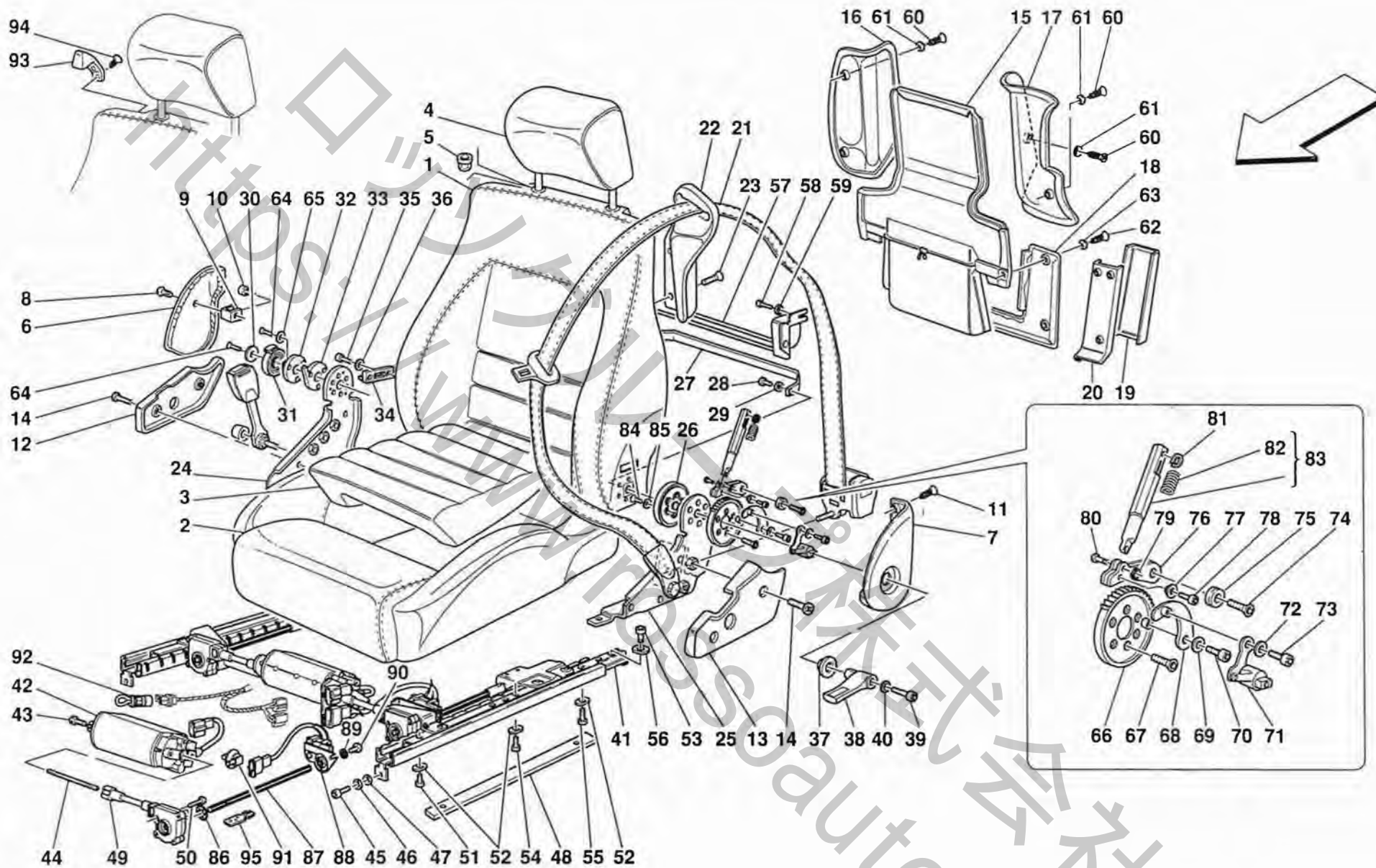
F355

SEDILI E CINTURE DI SICUREZZA -Vale per Spider-
SEATS AND SAFETY BELTS -Valid for Spider-

TAV. 130

DATA: GIUGNO '95

Rif	Dis.N° Part.N°	Q.ty	Denominazione	Description	Rif	Dis.N° Part.N°	Q.ty	Denominazione	Description
-	646126..	1	SEDILE DX. COMPLETO	R.H. SEAT COMPLETE	-	642159..	1	RIVESTIMENTO OSSATURA	L.H. INNER GUARDING
-	646127..	1	SEDILE SX. COMPLETO	L.H. SEAT COMPLETE	-	642136..	1	RIPARO INTERNO SX.	STRUCTURE UPHOLSTERY
1	636456..	2	RIVESTIMENTO SCHIENALE COMPLETO	COMPLETE SEAT BACK UPHOLSTERY	-	642159..	1	OSSATURA RIPARO INTERNO SCHIENALE DX. RIVESTITA	COVERED R.H. SEAT BACK INNER GUARDING STRUCTURE
2	635858..	2	RIVESTIMENTO CUSCINO COMPLETO	COMPLETE SEAT CUSHION UPHOLSTERY	-	642159..	1	RIVESTIMENTO OSSATURA RIPARO INTERNO DX.	R.H. INNER GUARDING STRUCTURE UPHOLSTERY
3	639935..	2	IMBOTTITURA CENTRALE CUSCINO RIVESTITA	COVERED CUSHION CENTRAL PADDING	17	642365..	1	OSSATURA RIPARO ESTERNO SCHIENALE SX. RIVESTITA	COVERED L.H. SEAT BACK OUTER GUARDING STRUCTURE
-	635873..	2	RIVESTIMENTO IMBOTTITURA CENTRALE CUSCINO	CUSHION CENTRAL PADDING UPHOLSTERY	-	642370..	1	RIVESTIMENTO OSSATURA RIPARO ESTERNO SX.	L.H. OUTER GUARDING STRUCTURE UPHOLSTERY
4	647622..	2	APPOGGIATESTA RIVESTITO	UPHOLSTERED HEAD-REST	-	642363..	1	OSSATURA RIPARO ESTERNO SCHIENALE DX. RIVESTITA	COVERED R.H. SEAT BACK OUTER GUARDING STRUCTURE
-	648488..	2	RIVESTIMENTO APPOGGIATESTA	HEAD-REST UPHOLSTERY	-	642364..	1	RIVESTIMENTO OSSATURA RIPARO ESTERNO DX.	R.H. OUTER GUARDING STRUCTURE UPHOLSTERY
5	20058905	4	BOCCOLA PER APPOGGIATESTA	BUSHINGS FOR HEAD-REST	18	639295..	2	TASCA POST. SCHIENALE	SEAT BACK REAR POCKET
6	636486..	1	RICOPRIMENTO INTERNO SCHIENALE SX.	L.H. SEAT BACK INNER COVERING	-	639297..	2	RIVESTIMENTO TASCA POST. SCHIENALE	SEAT BACK REAR POCKET UPHOLSTERY
-	636460..	1	RICOPRIMENTO INTERNO SCHIENALE DX.	R.H. SEAT BACK INNER COVERING	19	642383..	1	COPERTURA SLITTA CINTURA DI SICUREZZA SX.	L.H. SAFETY BELT SLIDE COVERING
7	636488..	1	RICOPRIMENTO ESTERNO SCHIENALE SX.	L.H. SEAT BACK OUTER COVERING	-	642381..	1	COPERTURA SLITTA CINTURA DI SICUREZZA DX.	R.H. SAFETY BELT SLIDE COVERING
-	636463..	1	RICOPRIMENTO ESTERNO SCHIENALE DX.	R.H. SEAT BACK OUTER COVERING	-	642382..	2	RIVESTIMENTO COPERTURA SLITTA	SLIDE COVERING UPHOLSTERY
8	63379100	2	BOTTONE DI FISSAGGIO	FIXING BUTTON	20	63997600	1	OSSATURA SLITTA CINTURA DI SICUREZZA SX.	L.H. SAFETY BELT SLIDE STRUCTURE
9	63945000	2	STAFFA	BRACKET	-	63997500	1	OSSATURA SLITTA CINTURA DI SICUREZZA DX.	R.H. SAFETY BELT SLIDE STRUCTURE
10	20297602	2	VITE	SCREW	21	64760400	1	CINTURE DI SICUREZZA	SAFETY BELTS
11	64314400	4	VITE	SCREW	-	64760300	1	-No per USA-	-Not for USA-
12	642389..	1	RICOPRIMENTO INTERNO CUSCINO SX.	L.H. CUSHION INNER COVERING	-	64760300	1	CINTURE DI SICUREZZA	SAFETY BELTS
-	642366..	1	RICOPRIMENTO INTERNO CUSCINO DX.	R.H. CUSHION INNER COVERING	-	64760300	1	-Vale per USA-	-Valid for USA-
13	642390..	1	RICOPRIMENTO ESTERNO CUSCINO SX.	L.H. CUSHION OUTER COVERING	22	63970700	1	PASSANASTRO SCHIENALE SX.	L.H. SEAT BACK BELT-SLIDING
-	642368..	1	RICOPRIMENTO ESTERNO CUSCINO DX.	R.H. CUSHION OUTER COVERING	-	63970600	1	PASSANASTRO SCHIENALE DX.	R.H. SEAT BACK BELT-SLIDING
14	20297602	8	VITE	SCREW	23	63691200	4	VITE	SCREW
15	636459..	2	ASSIEME PARATIA POST. SCHIENALE	REAR BULKHEAD ASSEMBLY FOR SEAT BACK	24	64601900	1	PIASTRA INTERNA	L.H. CUSHION-SEAT BACK
-	639202..	2	RIVESTIMENTO PARATIA SCHIENALE	SEAT BACK BULKHEAD UPHOLSTERY	-	64601800	1	COLLEGAMENTO SCHIENALE CUSCINO SX.	CONNECTING INNER PLATE
-	635485..	1	RIVESTIMENTO TASCA POST. SCHIENALE	SEAT BACK REAR POCKET UPHOLSTERY	-	64601800	1	PIASTRA INTERNA	R.H. CUSHION-SEAT BACK
16	642000..	1	OSSATURA RIPARO INTERNO SCHIENALE SX. RIVESTITA	COVERED L.H. SEAT BACK INNER GUARDING STRUCTURE	-	64601800	1	COLLEGAMENTO SCHIENALE CUSCINO DX.	CONNECTING INNER PLATE



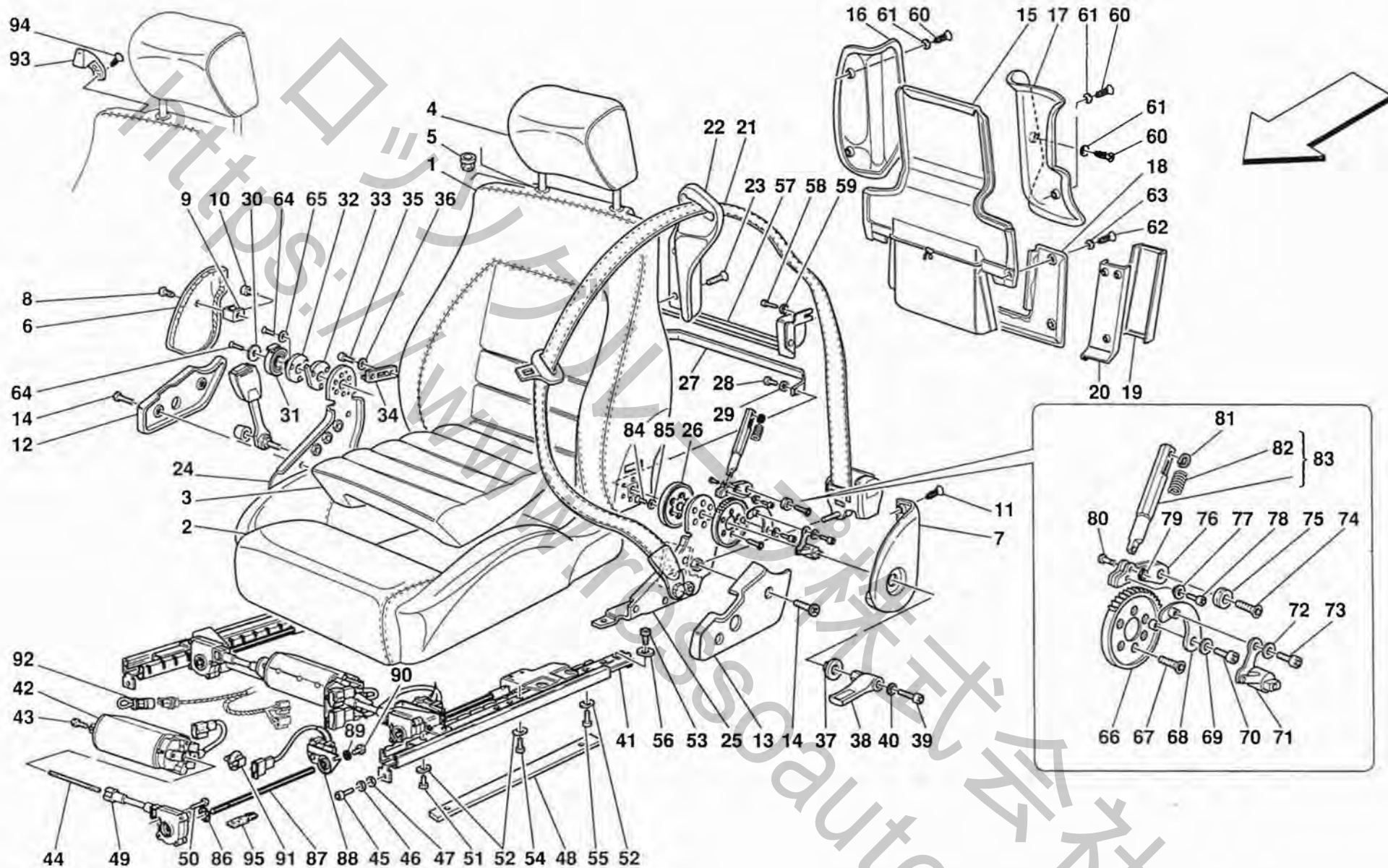
F355

SEDILI E CINTURE DI SICUREZZA -Vale per Spider-
SEATS AND SAFETY BELTS -Valid for Spider-

TAV. 130

DATA: GIUGNO '95

Rif	Dis.N° Part.N°	Q.ty	Denominazione	Description	Rif	Dis.N° Part.N°	Q.ty	Denominazione	Description
25	64601700	1	PIASTRA ESTERNA COLLEGAMENTO SCHIENALE CUSCINO SX.	L.H. CUSHION-SEAT BACK CONNECTING OUTER PLATE	55	13028734	4	VITE	SCREW
-	64601600	1	PIASTRA ESTERNA COLLEGAMENTO SCHIENALE CUSCINO DX.	R.H. CUSHION-SEAT BACK CONNECTING OUTER PLATE	56	63395300	4	PIASTRINA ELASTICA	ELASTIC PLATE
26	62739200	2	DISPOSITIVO REGOLAZIONE SCHIENALE SX.	L.H. DEVICE FOR BACK SEAT ADJUSTMENT	57	63602900	2	RICOPRIMENTO RINVIO SNODI	ARTICULATED JOINTS TRANSMISSION COVER
-	62739100	2	DISPOSITIVO REGOLAZIONE SCHIENALE DX.	R.H. DEVICE FOR BACK SEAT ADJUSTMENT	58	14302331	8	VITE	SCREW
27	63294300	2	COLLEGAMENTO SNODI	JOINTS CONNECTION	59	160920	8	ROSETTA	WASHER
28	14302931	4	VITE	SCREW	60	64314400	6	VITE	SCREW
29	160920	4	ROSETTA	WASHER	-	64275400	2	VITE	SCREW
30	13578305	2	ROSETTA	WASHER	-			L. mm. 19	L. mm. 19
31	62651900	2	MOLLA RICHIAMO SCHIENALE	SEAT BACK RETURNING SPRING	61	62823200	8	ROSETTA	WASHER
32	62652000	2	BOCCOLA RITEGNO MOLLA	SPRING RETAINING BUSH	62	64314300	10	VITE	SCREW
33	62955800	1	FERMO SCHIENALE SEDILE SX.	L.H. SEAT BACK LOCK	63	62823200	10	ROSETTA	WASHER
-	62955700	1	FERMO SCHIENALE SEDILE DX.	R.H. SEAT BACK LOCK	64	63622700	8	VITE	SCREW
34	64235900	4	PIASTRINO FERMO SCHIENALE	PLATE FOR SEAT BACK FASTENING	65	12606876	8	ROSETTA	WASHER
35	40294308	8	VITE	SCREW	66	64491700	1	RUOTA DENTATA SEDILE SX.	L.H. SEAT TOOTHED WHEEL
36	12601374	8	ROSETTA	WASHER	-	64491800	1	RUOTA DENTATA SEDILE DX.	R.H. SEAT TOOTHED WHEEL
37	62752500	2	BOCCOLA	BUSHING	67	63622800	6	VITE	SCREW
38	63998600	1	MANIGLIA DI SGANCIO SEDILE SX.	L.H. HANDLE FOR SEAT RELEASE	68	64490300	1	MEZZALUNA PER ARPIONE SEDILE SX.	L.H. SEAT HOOK LEVER
-	63998500	1	MANIGLIA DI SGANCIO SEDILE DX.	R.H. HANDLE FOR SEAT RELEASE	-	64490900	1	MEZZALUNA PER ARPIONE SEDILE DX.	R.H. SEAT HOOK LEVER
39	14358927	2	VITE	SCREW	69	13577505	2	ROSETTA	WASHER
40	149951	2	ROSETTA	WASHER	70	14302331	2	VITE	SCREW
41	64618600	2	COMPLESSIVO GUIDE ELETTRIFICATE	ELECTRIFIED GUIDE ASSEMBLY	71	64490200	2	LEVERAGGIO SOLLEVAMENTO ARPIONE	HOOK LIFTING LEVERAGE
42	64977600	2	MOTORINO ELETTRICO	ELECTRIC MOTOR	72	13577505	2	ROSETTA	WASHER
43	64977700	8	VITE	SCREW	73	14302331	2	VITE	SCREW
44	64978000	4	BOWDEN	BOWDEN	74	14440521	2	VITE	SCREW
45	14306334	4	VITE	SCREW	75	64490700	2	DISTANZIALE	SPACER
46	12601374	4	ROSETTA	WASHER	76	64242800	2	ARPIONE SEDILE	HOOK FOR SEAT
47	14496506	4	ROSETTA	WASHER	77	64490600	2	DISTANZIALE	SPACER
48	64612800	4	SPESSORE SOTTOGUIDA	UNDERGUIDE SHIM	78	14302331	2	VITE	SCREW
49	64977800	4	RIDUTTORE	UNION	79	11087576	2	ANELLO ELASTICO	FLEXIBLE RING
50	64977900	4	VITE	SCREW	80	64490800	2	PERNO PER PISTONCINO	PIN
51	40294308	4	VITE	SCREW	81	11087576	2	ANELLO ELASTICO	FLEXIBLE RING
52	63395300	12	PIASTRINA ELASTICA	ELASTIC PLATE	82	64490400	2	MOLLA	SPRING
53	40294308	4	VITE	SCREW	83	64491500	2	PISTONCINO COMPLETO	COMPLETE SMALL PISTON
54	63929800	4	VITE	SCREW	84	63622600	12	VITE	SCREW
					85	160920	12	ROSETTA	WASHER
					86	64978200	4	ANELLO DI ARRESTO	STOP RING



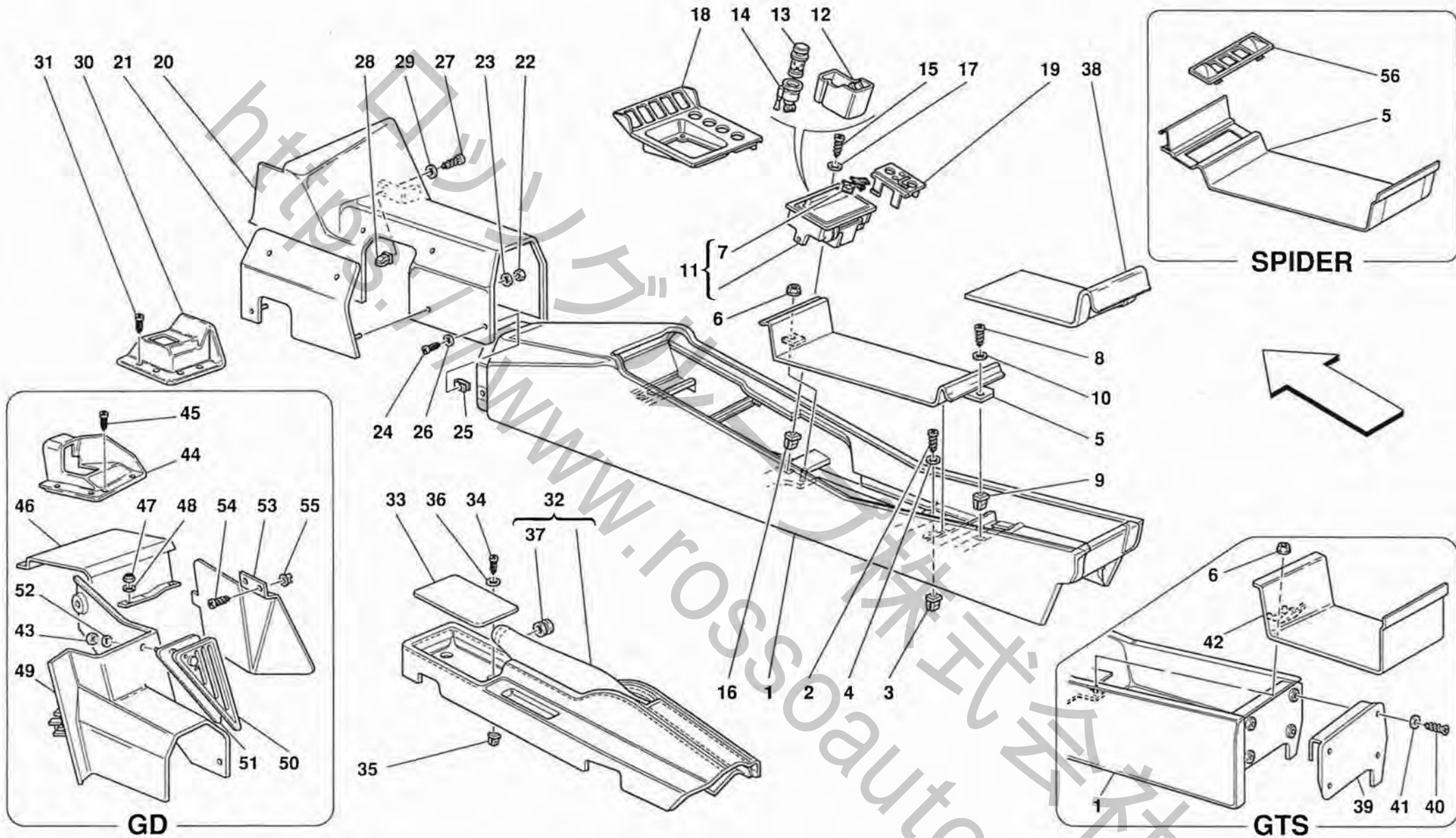
F355

SEDILI E CINTURE DI SICUREZZA -Vale per Spider-
SEATS AND SAFETY BELTS -Valid for Spider-

TAV. 130

DATA: GIUGNO '95

<i>Rif</i>	<i>Dis... Part.N°</i>	<i>Q.ty</i>	<i>Denominazione</i>	<i>Description</i>	<i>Rif</i>	<i>Dis.N° Part.N°</i>	<i>Q.ty</i>	<i>Denominazione</i>	<i>Description</i>
87	64978100	4	ALBERINO	SHAFT	94	15915877	2	VITE	SCREW
88	64978300	2	POTENZIOMETRO	POTENTIOMETER	95	166935	2	CLIP	CLIP
89	64978500	2	ROSETTA	WASHER	<div style="border: 1px solid black; padding: 5px;"> PER I CODICI DEI PARTICOLARI RIVESTITI IN PELLE E PER LE SERIE COMPLETE DEI TAPPETI MOQUETTE VEDI TAVOLA APPOSITA. SEE RELEVANT TABLE FOR CODES OF PARTS COVERED IN LEATHER AND FOR THE COMPLETE SERIES OF MOQUETTE CARPETS. </div>				
90	64978400	2	VITE	SCREW					
91	64978600	4	BOTTONE FISSAGGIO CAVI	FIXING BUTTON FOR CABLES					
92	167924	2	CAVO	CABLE					
93	64763100	1	SCONTRINO SU SEDILE PASSEGGERO	STRIKER ON PASSENGER SEAT					



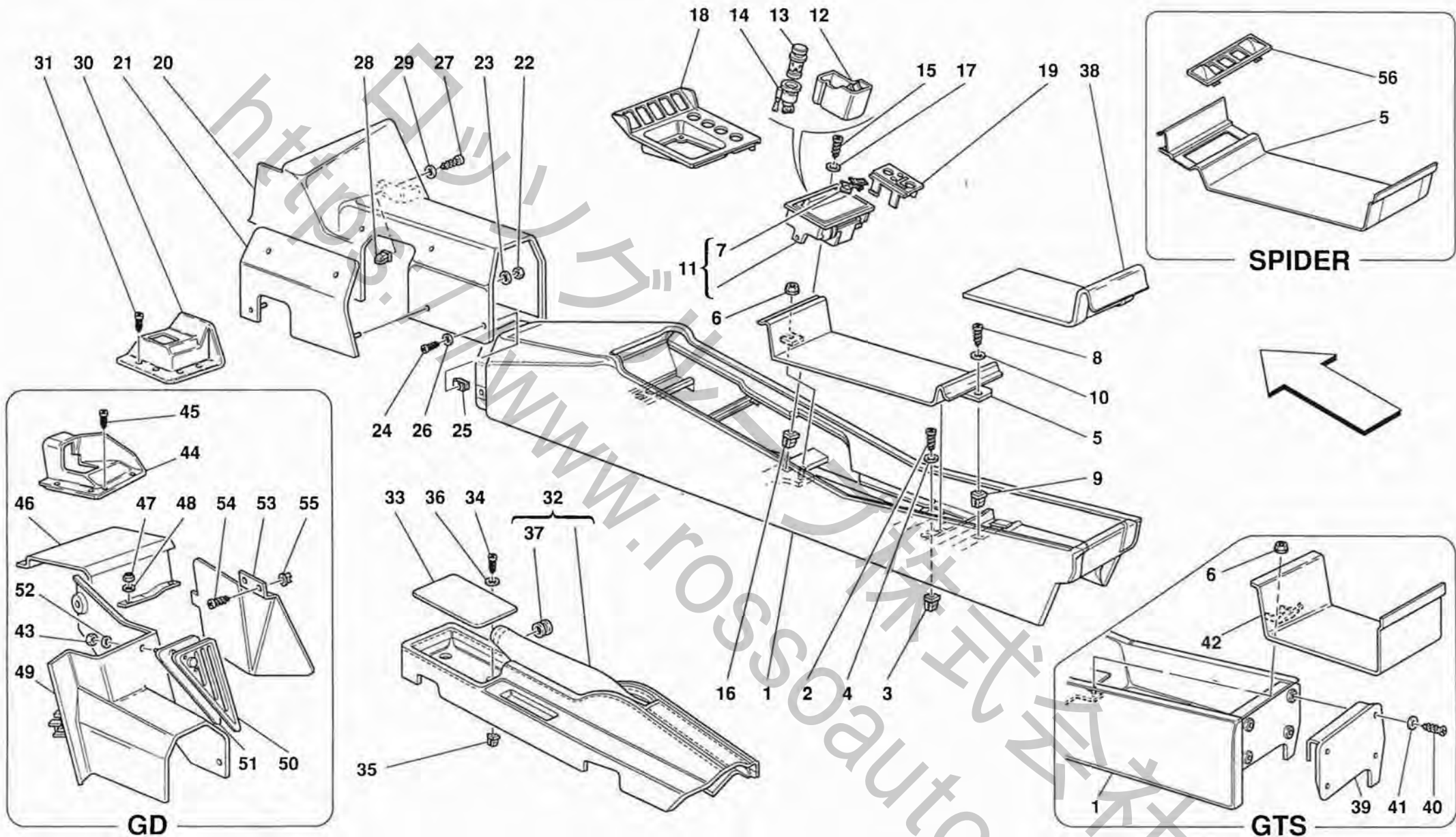
F355

TUNNEL - OSSATURA E ACCESSORI
 TUNNEL - FRAMEWORK AND ACCESSORIES

TAV. 131
 DATA: GIUGNO '95

Rif	Dis.N° Part.N°	Q.ty	Denominazione	Description
1	635230..	1	MOBILETTO COPRITUNNEL RIVESTITO	UPHOLSTERED TUNNEL COVER CONSOLE
-	642409..	1	MOBILETTO COPRITUNNEL RIVESTITO	UPHOLSTERED TUNNEL COVER CONSOLE
-	644221..	1	MOBILETTO COPRITUNNEL RIVESTITO	UPHOLSTERED TUNNEL COVER CONSOLE
-	645000..	1	MOBILETTO COPRITUNNEL RIVESTITO	UPHOLSTERED TUNNEL COVER CONSOLE
-	635224..	1	RIVESTIMENTO	UPHOLSTERY
-	642412..	1	RIVESTIMENTO	UPHOLSTERY
2	15688375	4	VITE	SCREW
3	14202782	4	BLOCCHETTO	BLOCK
4	12638177	4	ROSETTA	WASHER
5	642401..	1	RICOPRIMENTO FONDO CASSETTO	COVER FOR DRAWER BOTTOM
-	646044..	1	RICOPRIMENTO FONDO CASSETTO	COVER FOR DRAWER BOTTOM
-	642404..	1	RIVESTIMENTO	UPHOLSTERY
-	635228..	1	RIVESTIMENTO	UPHOLSTERY
-	646048..	1	RIVESTIMENTO	UPHOLSTERY
6	14039414	1	DADO	NUT
7	64460400	1	BANDIERINE FERRARI-PININFARINA	FERRARI-PININFARINA SMALL FLAGS
8	15688375	1	VITE	SCREW
9	14202782	1	BLOCCHETTO	BLOCK
10	12638177	1	ROSETTA	WASHER
11	64234600	1	POSACENERE	ASH TRAY
			-Completo solo del particolare 12-	-Only part. 12 included-

Rif	Dis.N° Part.N°	Q.ty	Denominazione	Description
12	—	1	VASCHETTA POSACENERE	ASHTRAY PAN
13	61107500	1	ACCENDISIGARI	CIGAR LIGHTER
14	61107600	1	CORPO ACCENDISIGARI	CIGAR LIGHTER BODY
15	15688375	1	VITE	SCREW
16	14202782	1	BLOCCHETTO	BLOCK
17	12638177	1	ROSETTA	WASHER
18	64234400	1	PIASTRA PORTA INTERRUTTORI TUNNEL	TUNNEL SWITCHES HOLDER PLATE
-	64437600	1	PIASTRA PORTA INTERRUTTORI TUNNEL	TUNNEL SWITCHES HOLDER PLATE
19	64234700	1	PIASTRA PORTA INTERRUTTORI LATO POSACENERE	ASHTRAY SIDE SWITCHES HOLDER PLATE
-	64483000	1	PIASTRA PORTA INTERRUTTORI LATO POSACENERE	ASHTRAY SIDE SWITCHES HOLDER PLATE
20	635679..	1	PARTE ANT. MOBILETTO TUNNEL	TUNNEL CONSOLE FRONT PART
21	63525400	1	RIPARO PEDALE ACCELERATORE	ACCELERATOR PEDAL SHIELD
22	10794011	4	DADO	NUT
23	12642801	4	ROSETTA	WASHER
24	15916806	2	VITE	SCREW
25	61789700	2	STAFFETTA	BRACKET
26	12611307	2	ROSETTA	WASHER
27	15903978	1	VITE	SCREW
28	14202782	1	BLOCCHETTO	BLOCK
29	12638177	1	ROSETTA	WASHER
30	63566800	1	COPRIPEDALE ACCELERATORE	ACCELERATOR PEDAL COVER
31	15914707	4	VITE	SCREW
32	635812..	1	MOBILETTO FRENO A MANO COMPLETO	COMPLETE HAND BRAKE CONSOLE
-	635828..	1	MOBILETTO FRENO A MANO COMPLETO	COMPLETE HAND BRAKE CONSOLE
			-Vale per GD-	-Valid for GD-



F355

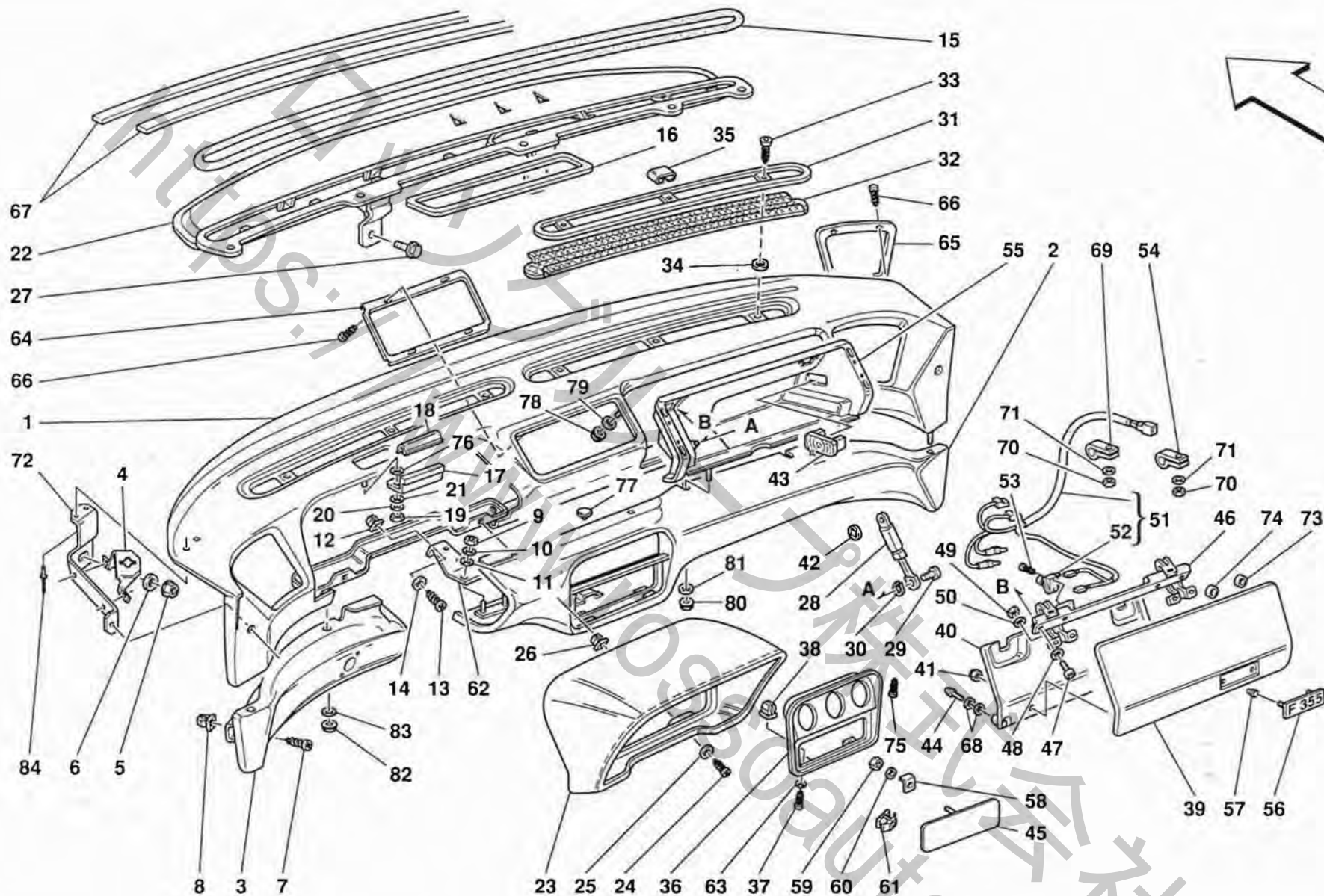
TUNNEL - OSSATURA E ACCESSORI
 TUNNEL - FRAMEWORK AND ACCESSORIES

TAV. 131
 DATA: GIUGNO '95

Rif	Dis.N° Part.N°	Q.ty	Denominazione	Description
-	635813..	1	RIVESTIMENTO -No per GD-	UPHOLSTERY -Not for GD-
-	635829..	1	RIVESTIMENTO -Vale per GD-	UPHOLSTERY -Valid for GD-
33	626842..	1	MODANATURA VASCETTA MOBILETTO FRENO A MANO	HAND BRAKE CONSOLE CASING MOULDING
34	15688178	3	VITE	SCREW
35	14115980	3	BLOCCHETTO	BLOCK
36	12638177	3	ROSETTA	WASHER
37	64277400	1	BOTTONE	BUTTON
38	64239800	1	OSSATURA FONDO CASSETTO POST. TUNNEL -Senza rivestimento-	TUNNEL REAR GLOVE BOX BOTTOM MOULDING -Without upholstery-
-	644227..	1	RIVESTIMENTO	UPHOLSTERY
39	63523300	1	RIPORTO POST. -Vale per GTS e Spider- -No per GD-	REAR INSERT -Valid for GTS and Spider- -Not for GD-
-	64500600	1	RIPORTO POST. -Vale per GTS GD e Spider GD-	REAR INSERT -Valid for GD GTS and GD Spider-
40	15914708	4	VITE -Vale per GTS e Spider-	SCREW -Valid for GTS and Spider-
41	62823200	4	ROSETTA -Vale per GTS e Spider-	WASHER -Valid for GTS and Spider-
42	63522900	1	RICOPRIMENTO FONDO CASSETTO -Vale per GTS-	COVER FOR DRAWER BOTTOM -Valid for GTS-
43	12574011	2	DADO -Vale per GD-	NUT -Valid for GD-
44	64494200	1	COPRIPEDALE ACCELERATORE -Vale per GD senza AIR-BAG-	ACCELERATOR PEDAL COVER -Valid for GD without AIR-BAG-
-	64894600	1	COPRIPEDALE ACCELERATORE -Vale per GD con AIR-BAG-	ACCELERATOR PEDAL COVER -Valid for GD with AIR-BAG-

Rif	Dis.N° Part.N°	Q.ty	Denominazione	Description
45	15914707	4	VITE -Vale per GD-	SCREW -Valid for GD-
46	63002600	1	RICOPRIMENTO RINVIO PEDALE -Vale per GD-	PEDAL PROTECTION -Valid for GD-
47	12575411	4	DADO -Vale per GD-	NUT -Valid for GD-
48	10519424	4	ROSETTA -Vale per GD-	WASHER -Valid for GD-
49	644225..	1	PARTE ANT. MOBILETTO TUNNEL -Vale per GD-	TUNNEL CONSOLE FRONT PART -Valid for GD-
50	62986300	1	SOLETTA PIASTRA APPOGGIAPIEDI LATO PILOTA -Vale per GD-	SLAB FOR DRIVER SIDE FOOT REST PLATE -Valid for GD-
51	63222500	1	SUPPORTO SOLETTA -Vale per GD-	SLAB SUPPORT -Valid for GD-
52	12642801	2	ROSETTA -Vale per GD-	WASHER -Valid for GD-
53	64484200	1	RIPARO PEDALE ACCELERATORE -Vale per GD-	ACCELERATOR PEDAL PROTECTION -Valid for GD-
54	15916170	2	VITE -Vale per GD-	SCREW -Valid for GD-
55	14202580	2	BLOCCHETTO -Vale per GD-	BLOCK -Valid for GD-
56	64627100	1	MOSTRINA PORTA INTERRUTTORI -Vale per Spider-	SWITCH HOLDER PLATE -Valid for Spider-

PER I CODICI DEI PARTICOLARI RIVESTITI IN PELLE E PER LE SERIE COMPLETE DEI TAPPETI MOQUETTE VEDI TAVOLA APPOSITA. SEE RELEVANT TABLE FOR CODES OF PARTS COVERED IN LEATHER AND FOR THE COMPLETE SERIES OF MOQUETTE CARPETS.



F355

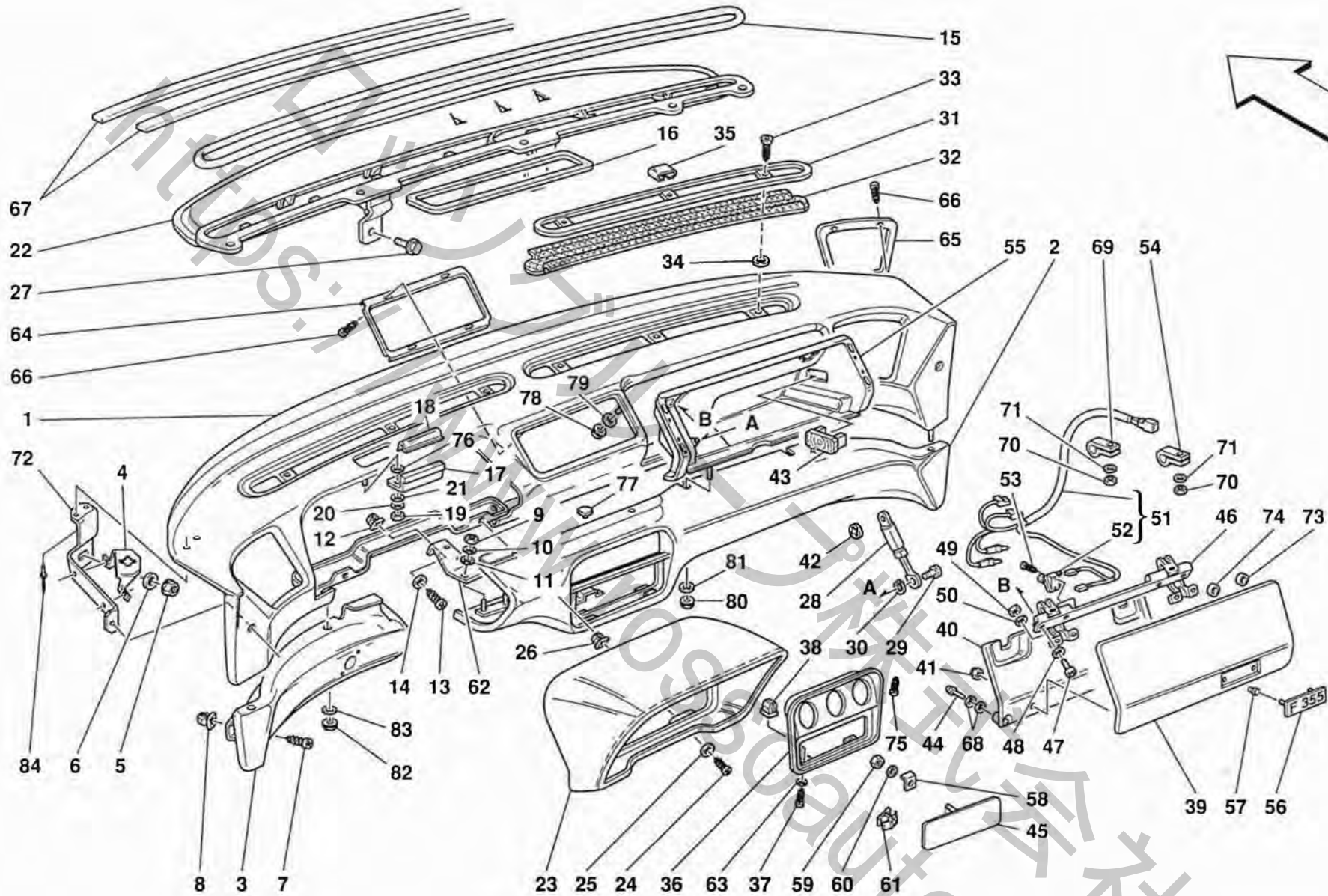
PLANCIA -No per vett. con AIR-BAG-
DASHBOARD -Not for AIR-BAG cars-

TAV. 132

DATA: GIUGNO '95

Rif	Dis. n° Part. N°	Q.ty	Denominazione	Description	Rif	Dis. N° Part. N°	Q.ty	Denominazione	Description
1	641172..	1	OSSATURA SUPERIORE PLANCIA COMPL. DI RIVESTIMENTO	UPHOLSTERED DASHBOARD UPPER FRAMEWORK	17	62139700	1	PIASTRA FISS. CUPOLOTTO	INSTRUMENTS PANEL FIXING PLATE
-	644436..	1	OSSATURA SUPERIORE PLANCIA COMPL. DI RIVESTIMENTO	UPHOLSTERED DASHBOARD UPPER FRAMEWORK	18	62139800	1	ANTIVIBRANTE	ANTI-VIBRATIONS
-	641183..	1	RIVESTIMENTO SUPERIORE	UPPER LINING	19	15896470	2	DADO	NUT
-	644439..	1	RIVESTIMENTO SUPERIORE	UPPER LINING	20	12605274	2	ROSETTA	WASHER
2	641173..	1	RIPORTO INFERIORE DX. RIVESTITO	COVERED R.H. LOWER INSERT	21	14496324	2	ROSETTA	WASHER
-	644456..	1	RIPORTO INFERIORE DX. RIVESTITO	COVERED R.H. LOWER INSERT	22	62185800	1	CONDOTTO ARIA SOTTOPLANCIA	UNDER-DASHBOARD AIR DUCTING
-	641177..	1	RIVESTIMENTO INFERIORE DX.	R.H. LOWER UPHOLSTERY	23	641120..	1	CUPOLOTTO RIVESTITO	COVERED INSTRUMENTS PANEL
-	644459..	1	RIVESTIMENTO INFERIORE DX.	R.H. LOWER UPHOLSTERY	-	644464..	1	CUPOLOTTO RIVESTITO	COVERED INSTRUMENTS PANEL
3	641174..	1	RIPORTO INFERIORE SX. RIVESTITO	COVERED L.H. LOWER INSERT	-	644324..	1	RIVESTIMENTO	LINING
-	644448..	1	RIPORTO INFERIORE SX. RIVESTITO	COVERED L.H. LOWER INSERT	-	644467..	1	RIVESTIMENTO	LINING
-	641178..	1	RIVESTIMENTO INFERIORE SX.	L.H. LOWER UPHOLSTERY	24	15687708	2	VITE	SCREW
-	644451..	1	RIVESTIMENTO INFERIORE SX.	L.H. LOWER UPHOLSTERY	25	10519278	2	ROSETTA	WASHER
4	62175800	1	STAFFA FISS. TWEETER SX.	L.H. TWEETER FIXING BRACKET	26	14115885	2	BLOCCHETTO	BLOCK
-	62175700	1	STAFFA FISS. TWEETER DX.	R.H. TWEETER FIXING BRACKET	27	13836324	2	VITE	SCREW
5	13832101	2	DADO	NUT	28	62830600	1	MOLLA A GAS PER SPORTELLO	DOOR GAS SPRING
6	12640624	2	ROSETTA	WASHER	29	62162800	1	PERNO	PIN
7	15785101	2	VITE	SCREW	30	11087576	1	ANELLO ELASTICO	FLEXIBLE RING
8	14115980	2	BLOCCHETTO	BLOCK	31	62186800	2	MOSTRINA BOCCHETTE ARIA	AIR OUTLET PLATE
9	15896470	4	DADO	NUT	32	62880800	2	RIPARO IN RETE SU BOCCHETTE ARIA	AIR OUTLET GRID SHIELD
10	12605274	4	ROSETTA	WASHER	33	63291400	6	VITE	SCREW
11	14496324	4	ROSETTA	WASHER	34	63622400	6	ROSETTA	WASHER
12	14115980	3	BLOCCHETTO	BLOCK	35	62880900	6	MOSTRINA COPRIVITE	SCREW-COVER PLATE
13	15688375	3	VITE	SCREW	36	64113200	1	MOSTRINA PER STRUMENTI	PLATE FOR INSTRUMENTS
14	12638124	3	ROSETTA	WASHER	37	15908606	2	VITE	SCREW
15	62200500	1	GUARNIZIONE CONDOTTO ARIA	AIR DUCTING GASKET	38	14115580	4	BLOCCHETTO	BLOCK
16	62188000	1	GUARNIZIONE CONVOGLIATORE ARIA	AIR CONVEYOR GASKET	39	641194..	1	SPORTELLO RIVESTITO	COVERED DOOR
					-	644442..	1	SPORTELLO RIVESTITO	COVERED DOOR
					-	641196..	1	RIVESTIMENTO	LINING
					40	64112900	1	RICOPRIMENTO INTERNO SPORTELLO	DOOR INNER OVERLAP
					-	64444600	1	RICOPRIMENTO INTERNO SPORTELLO	DOOR INNER OVERLAP

Tavola 132 - PLANCIA -No per vett. con AIR-BAG- DASHBOARD -Not for AIR-BAG cars-



F355

PLANCIA -No per vett. con AIR-BAG-

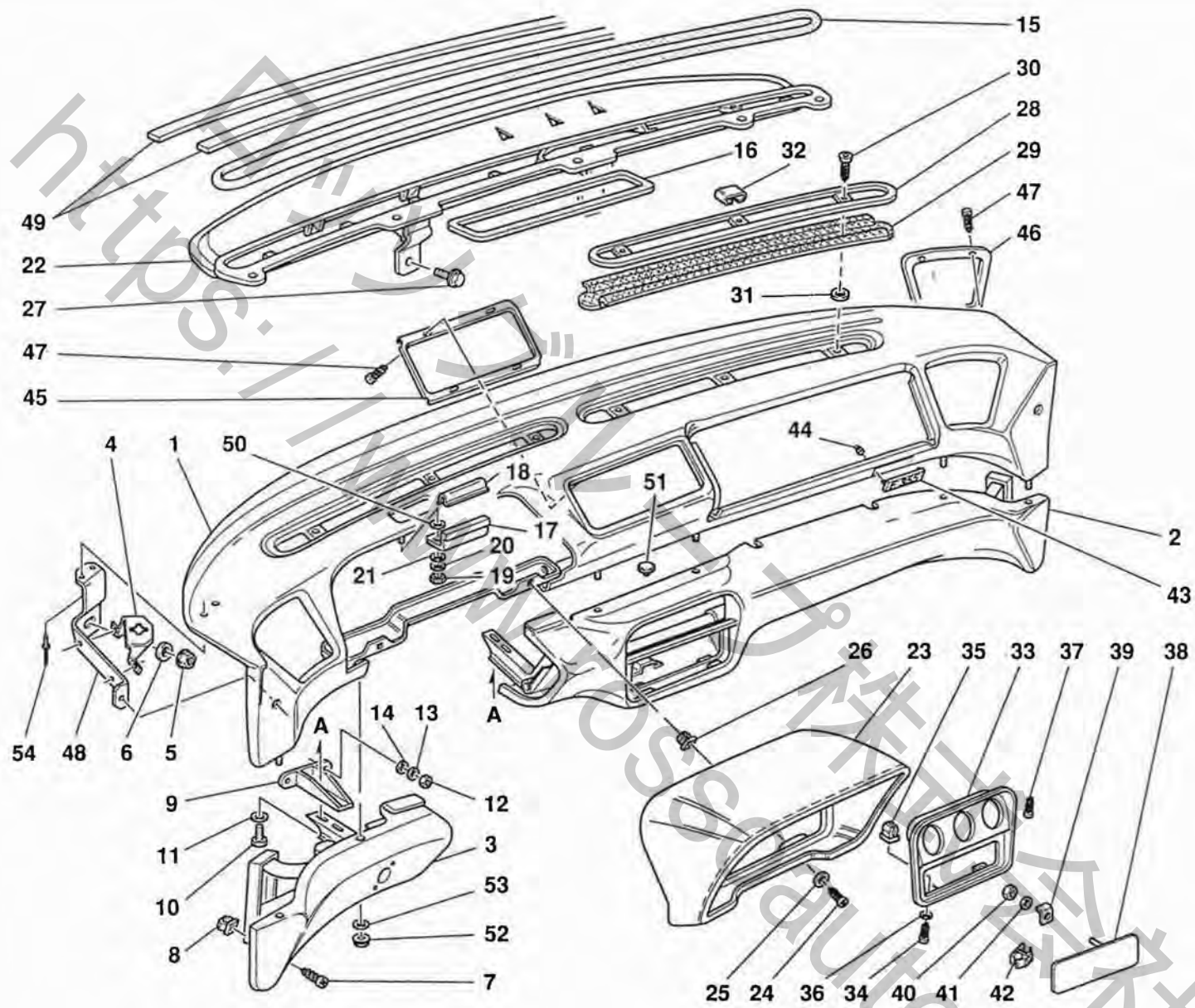
DASHBOARD -Not for AIR-BAG cars-

TAV. 132

DATA: GIUGNO '95

Rif	Dis. iv Part. N°	Q.ty	Denominazione	Description	Rif	Dis. N° Part. N°	Q.ty	Denominazione	Description
41	62990500	5	DADO	NUT	-	64510700	1	PIASTRA CENTRALE VANO	AIR OUTLET CENTRAL
42	62831000	1	MOLLETTA	CLIP				BOCCHETTA ARIA	PLATE
43	139517	1	PLAFONIERA LUCE CASSETTO	DOME LAMP				-Vale per GD-	-Valid for GD-
44	62239900	2	PERNO REGOLAZIONE	ADJUSTMENT PIN	65	64113300	1	PIASTRA LATERALE DX. VANO	AIR OUTLET R.H. LATERAL
45	64426700	1	MOSTRINA VANO-AUTORADIO	PLATE FOR RADIO HOUSING				BOCCHETTA ARIA	PLATE
46	64114400	1	CERNIERA SPORTELLO	LID HINGE	-	64510500	1	PIASTRA LATERALE SX. VANO	AIR OUTLET L.H. LATERAL
			-No per GD-	-Not for GD-				BOCCHETTA ARIA	PLATE
	64515500	1	CERNIERA SPORTELLO	LID HINGE	66	15902670	14	VITE	SCREW
			-Vale per GD-	-Valid for GD-	67	63312400	1	NASTRO BIADESIVO	BI-ADHESIVE TAPE
47	13274472	4	VITE	SCREW	68	62692700	4	GOMMINO PER PERNO	RUBBER FOR PIN
48	12637806	4	ROSETTA	WASHER				-Di eventuale montaggio-	-Possible fitting-
49	15896470	4	DADO	NUT	69	10420301	1	STAFFETTA Ø 4	BRACKET Ø 4
50	14496324	4	ROSETTA	WASHER	70	12574115	2	DADO	NUT
51	157601	1	CAVI CASSETTO PLANCIA	DASHBOARD GLOVE BOX CABLES	71	14496324	2	ROSETTA	WASHER
52	141013	1	MICROINTERRUTTORE	MICRO-SWITCH	72	64113900	1	STAFFA FISS. LATERALE	DASHBOARD L.H. UPPER
53	64693500	2	VITE	SCREW				SUPERIORE SX. PLANCIA	LATERAL FIXING BRACKET
54	10418101	1	STAFFETTA Ø 6	BRACKET Ø 6	-	64113800	1	STAFFA FISS. LATERALE	DASHBOARD R.H. UPPER
55	64112300	1	RIPORTO INTERNO VANO	BOX INNER				SUPERIORE DX. PLANCIA	LATERAL FIXING BRACKET
			CASSETTO	INSERT	73	62989700	2	BOCCOLA	BUSHING
			-No per GD-	-Not for GD-	74	62989800	2	BOCCOLA	BUSHING
	64444000	1	RIPORTO INTERNO VANO	BOX INNER	75	15692178	4	VITE	SCREW
			CASSETTO	INSERT	76	12640624	4	ROSETTA	WASHER
			-Vale per GD-	-Valid for GD-				-Di eventuale montaggio-	-Possible fitting-
56	64493700	1	SCRITTA "F 355"	"F 355" MARK	77	14624687	1	TAPPO	PLUG
57	60324506	2	MOLLETTA	CLIP	78	13831801	4	DADO	NUT
58	62993400	1	MOLLETTA	CLIP	79	12638124	4	ROSETTA	WASHER
59	16101711	1	DADO	NUT	80	13831801	2	DADO	NUT
60	10615174	1	ROSETTA	WASHER	81	12624101	2	ROSETTA	WASHER
61	141699	1	MOLLETTA	CLIP	82	13831801	6	DADO	NUT
62	62139200	3	STAFFETTA FISS. INFERIORE	DASHBOARD LOWER FIXING	83	12638124	6	ROSETTA	WASHER
			PLANCIA	BRACKET	84	60609700	10	RIVETTO	RIVET
63	12612207	2	ROSETTA	WASHER					
64	64113600	1	PIASTRA CENTRALE VANO	AIR OUTLET CENTRAL					
			BOCCHETTA ARIA	PLATE					
			-No per GD-	-Not for GD-					

PER I CODICI DEI PARTICOLARI RIVESTITI IN PELLE E PER LE SERIE COMPLETE DEI TAPPETI MOQUETTE VEDI TAVOLA APPOSITA. SEE RELEVANT TABLE FOR CODES OF PARTS COVERED IN LEATHER AND FOR THE COMPLETE SERIES OF MOQUETTE CARPETS.

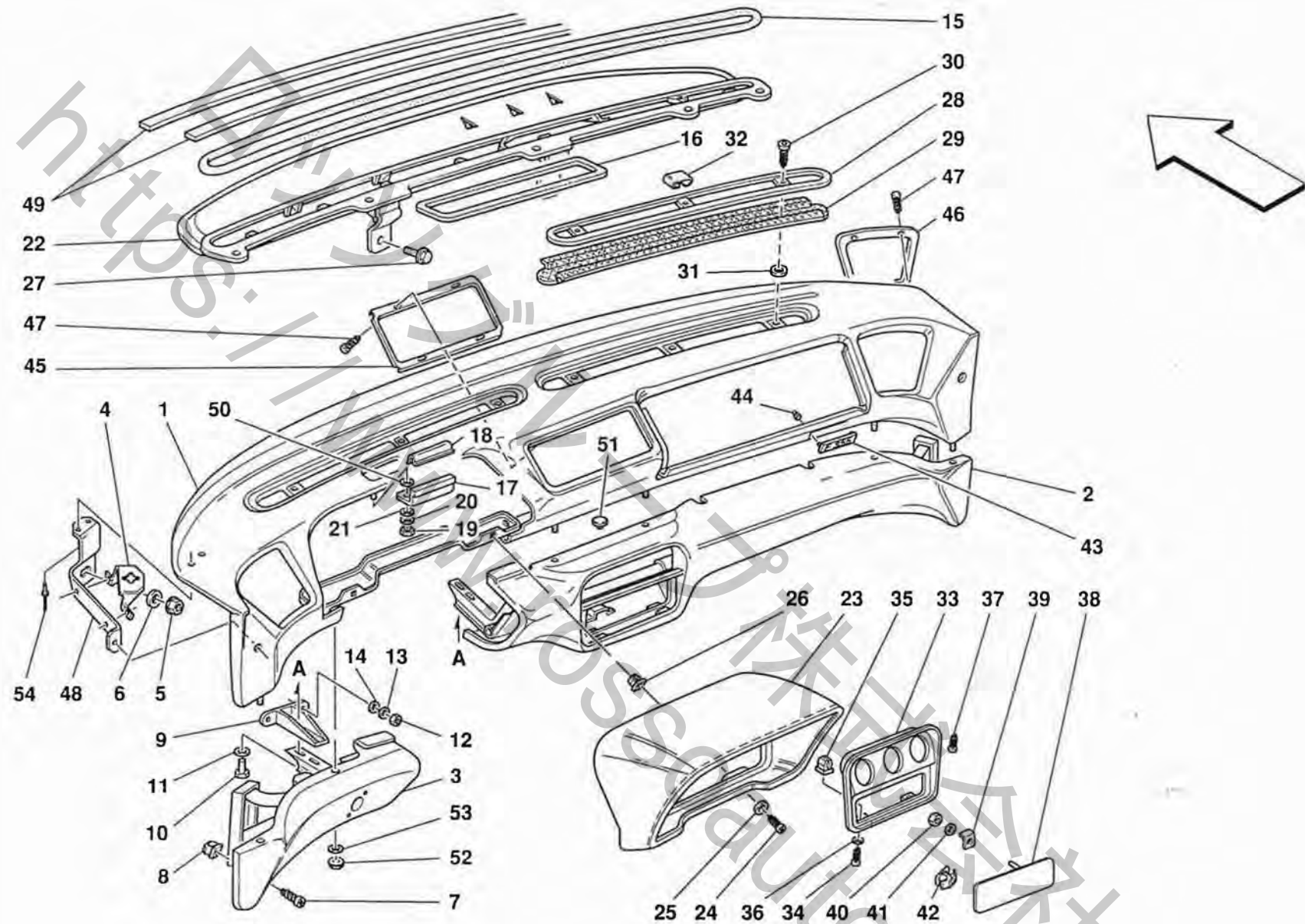


F355

PLANCIA -Vale per vett. con AIR-BAG-
 DASHBOARD -Valid for AIR-BAG cars-

TAV. 133
 DATA: GIUGNO '95

Rif	Dis.n° Part.N°	Q.ty	Denominazione	Description	Rif	Dis.N° Part.N°	Q.ty	Denominazione	Description
1	644777..	1	OSSATURA SUPERIORE PLANCIA COMPL. DI RIVESTIMENTO -No per GD-	UPHOLSTERED DASHBOARD UPPER FRAMEWORK -Not for GD-	17	62139700	1	PIASTRA FISS. CUPOLOTTA	INSTRUMENTS PANEL FIXING PLATE
-	648847..	1	OSSATURA SUPERIORE PLANCIA COMPL. DI RIVESTIMENTO -Vale per GD-	UPHOLSTERED DASHBOARD UPPER FRAMEWORK -Valid for GD-	18	62139800	1	ANTIVIBRANTE	ANTI-VIBRATIONS
-	641183..	1	RIVESTIMENTO SUPERIORE -No per GD-	UPPER LINING -Not for GD-	19	15896470	2	DADO	NUT
-	644439..	1	RIVESTIMENTO SUPERIORE -Vale per GD-	UPPER LINING -Valid for GD-	20	12605274	2	ROSETTA	WASHER
2	644782..	1	RIPORTO INFERIORE DX. RIVESTITO -No per GD-	COVERED R.H. LOWER INSERT -Not for GD-	21	14496324	2	ROSETTA	WASHER
-	644456..	1	RIPORTO INFERIORE DX. RIVESTITO -Vale per GD-	COVERED R.H. LOWER INSERT -Valid for GD-	22	62185800	1	CONDOTTO ARIA SOTTOPLANCIA	UNDER-DASHBOARD AIR DUCTING
-	641177..	1	RIVESTIMENTO INFERIORE DX. -No per GD-	R.H. LOWER UPHOLSTERY -Not for GD-	23	641120..	1	CUPOLOTTA RIVESTITO -No per GD-	COVERED INSTRUMENTS PANEL -Not for GD-
-	644459..	1	RIVESTIMENTO INFERIORE DX. -Vale per GD-	R.H. LOWER UPHOLSTERY -Valid for GD-	-	644464..	1	CUPOLOTTA RIVESTITO -Vale per GD-	COVERED INSTRUMENTS PANEL -Valid for GD-
3	644792..	1	RIPORTO INFERIORE SX. RIVESTITO -No per GD-	COVERED L.H. LOWER INSERT -Not for GD-	-	644324..	1	RIVESTIMENTO -No per GD-	LINING -Not for GD-
-	644448..	1	RIPORTO INFERIORE SX. RIVESTITO -Vale per GD-	COVERED L.H. LOWER INSERT -Valid for GD-	-	644467..	1	RIVESTIMENTO -Vale per GD-	LINING -Valid for GD-
-	641178..	1	RIVESTIMENTO INFERIORE SX. -No per GD-	L.H. LOWER UPHOLSTERY -Not for GD-	24	15687708	2	VITE	SCREW
-	644451..	1	RIVESTIMENTO INFERIORE SX. -Vale per GD-	L.H. LOWER UPHOLSTERY -Valid for GD-	25	10519278	2	ROSETTA	WASHER
4	62175800	1	STAFFA FISS. TWEETER SX.	L.H. TWEETER FIXING BRACKET	26	14115885	2	BLOCCETTO	BLOCK
-	62175700	1	STAFFA FISS. TWEETER DX.	R.H. TWEETER FIXING BRACKET	27	13836324	2	VITE M 6	SCREW M 6
5	13832101	2	DADO	NUT	-	13833524	2	VITE M 5	SCREW M 5
6	12640624	2	ROSETTA	WASHER	28	62186800	2	MOSTRINA BOCCHETTE ARIA	AIR OUTLET PLATE
7	15785101	2	VITE	SCREW	29	62880800	2	RIPARO IN RETE SU BOCCHETTE ARIA	AIR OUTLET GRID SHIELD
8	14115980	2	BLOCCETTO	BLOCK	30	63291400	6	VITE	SCREW
9	64263100	3	STAFFA COMPLETA	COMPLETE BRACKET	31	63622400	6	ROSETTA	WASHER
10	10902024	6	VITE	SCREW	32	62880900	6	MOSTRINA COPRIVITE	SCREW-COVER PLATE
11	12601274	6	ROSETTA	WASHER	33	64113200	1	MOSTRINA PER STRUMENTI	PLATE FOR INSTRUMENTS
12	15896214	6	DADO	NUT	34	15908606	2	VITE	SCREW
13	12601274	6	ROSETTA	WASHER	35	14115580	4	BLOCCETTO	BLOCK
14	12643724	6	ROSETTA	WASHER	36	12612207	2	ROSETTA	WASHER
15	62200500	1	GUARNIZIONE CONDOTTO ARIA	AIR DUCTING GASKET	37	15692178	4	VITE	SCREW
16	62188000	1	GUARNIZIONE CONVOGLIATORE ARIA	AIR CONVEYOR GASKET	38	64426700	1	MOSTRINA VANO AUTORADIO	PLATE FOR RADIO HOUSING
					39	62993400	1	MOLLETTA	CLIP
					40	16101711	1	DADO	NUT
					41	10615174	1	ROSETTA	WASHER
					42	141699	1	MOLLETTA	CLIP
					43	64493700	1	SCRITTA "F 355"	"F 355" MARK
					44	60324506	2	MOLLETTA	CLIP
					45	64113600	1	PIASTRA CENTRALE VANO BOCCHETTA ARIA -No per GD-	AIR OUTLET CENTRAL PLATE -Not for GD-



F355

PLANCIA -Vale per vett. con AIR-BAG-
 DASHBOARD -Valid for AIR-BAG cars-

TAV. 133

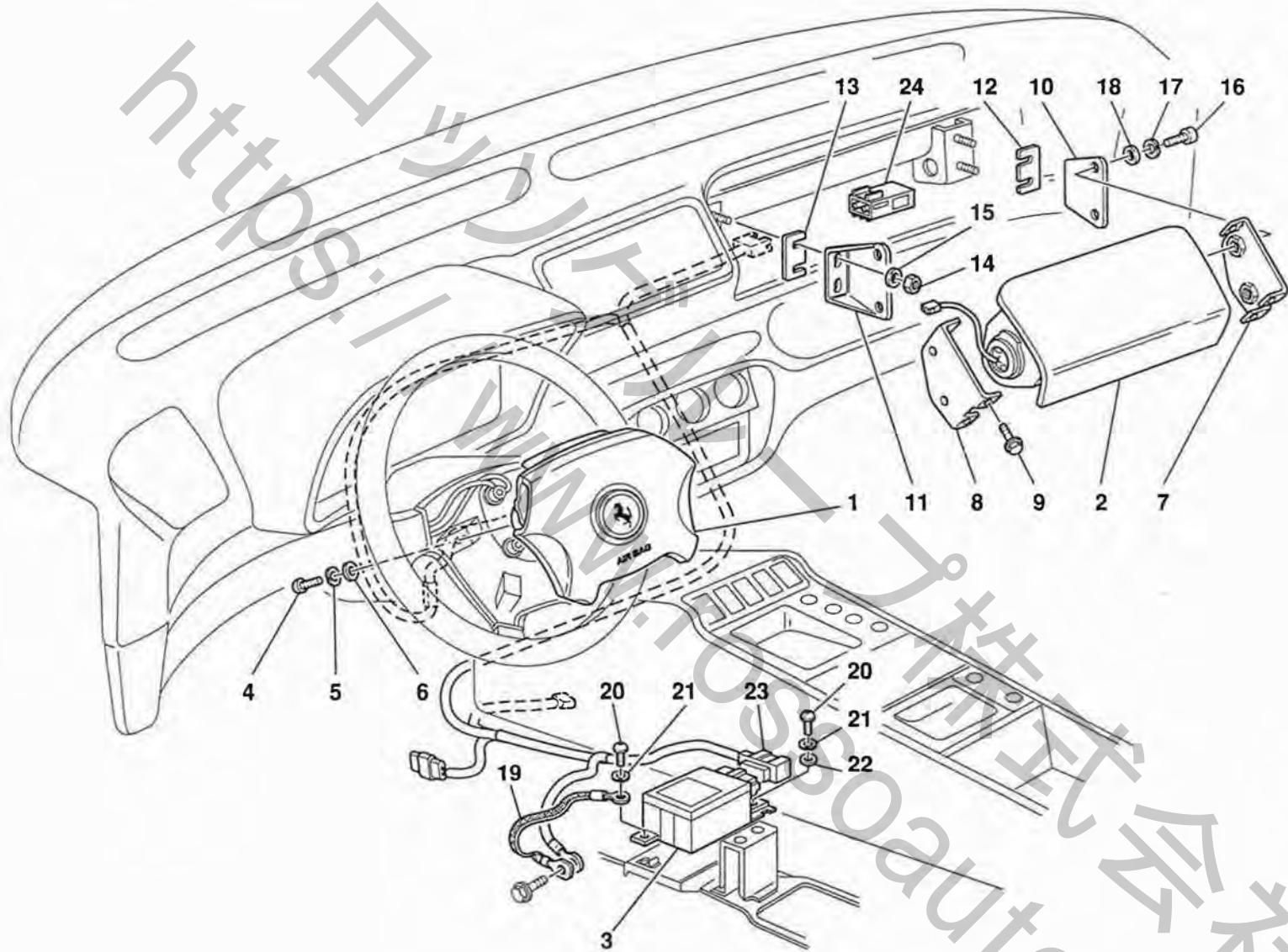
DATA: GIUGNO '95

Rif	Dis.N° Part.N°	Q.ty	Denominazione	Description
-	64510700	1	PIASTRA CENTRALE VANO BOCCHETTA ARIA -Vale per GD-	AIR OUTLET CENTRAL PLATE -Valid for GD-
46	64113300	1	PIASTRA LATERALE DX. VANO BOCCHETTA ARIA	AIR OUTLET R.H. LATERAL PLATE
-	64510500	1	PIASTRA LATERALE SX. VANO BOCCHETTA ARIA	AIR OUTLET L.H. LATERAL PLATE
47	15902670	14	VITE	SCREW
48	64113900	1	STAFFA FISS. LATERALE SUPERIORE SX. PLANCIA	DASHBOARD L.H. UPPER LATERAL FIXING BRACKET
-	64113800	1	STAFFA FISS. LATERALE SUPERIORE DX. PLANCIA	DASHBOARD R.H. UPPER LATERAL FIXING BRACKET

Rif	Dis.N° Part.N°	Q.ty	Denominazione	Description
49	63312400	1	NASTRO BIADESIVO	BI-ADHESIVE TAPE
50	12640624	4	ROSETTA -Di eventuale montaggio-	WASHER -Possible fitting-
51	14624687	1	TAPPO	PLUG
52	13831801	6	DADO	NUT
53	12638124	6	ROSETTA	WASHER
54	60609700	10	RIVETTO	RIVET

PER I CODICI DEI PARTICOLARI RIVESTITI IN PELLE E PER LE SERIE COMPLETE DEI TAPPETI MOQUETTE VEDI TAVOLA APPOSITA.

SEE RELEVANT TABLE FOR CODES OF PARTS COVERED IN LEATHER AND FOR THE COMPLETE SERIES OF MOQUETTE CARPETS.



F355

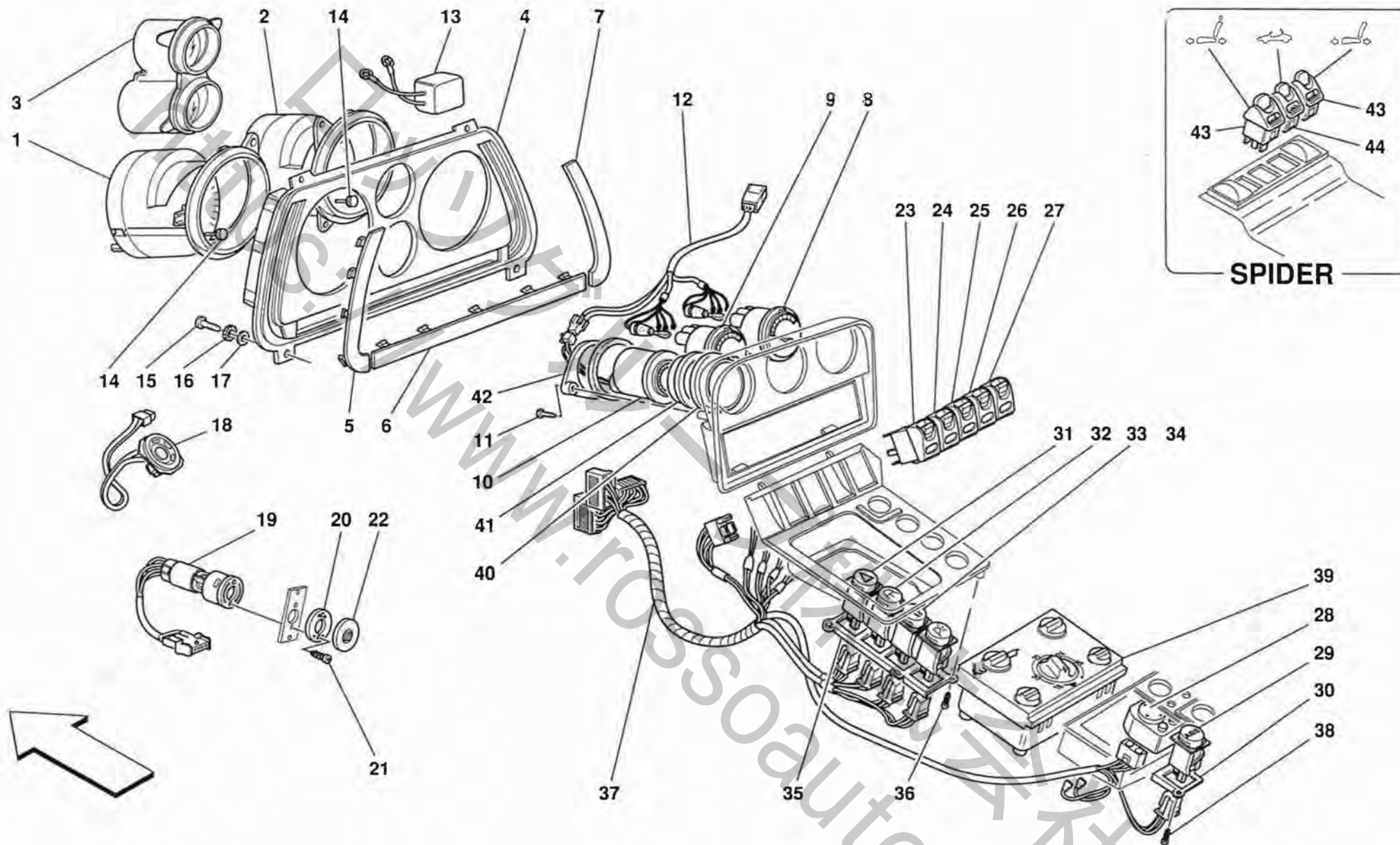
AIR-BAG
AIR-BAG

TAV. 134

DATA: GIUGNO '95

Rif	Dis.N° Part.N°	Q.ty	Denominazione	Description
1	156693	1	AIR-BAG LATO PILOTA	DRIVER SIDE AIR-BAG
2	64343900	1	AIR-BAG LATO PASSEGGERO	PASSENGER SIDE AIR-BAG
-	64628800	1	AIR-BAG LATO PASSEGGERO	PASSENGER SIDE AIR-BAG
			-No per GD-	-Not for GD-
			-Vale per GD-	-Valid for GD-
3	158123	1	CENTRALINA AIR-BAG	AIR-BAG CONTROL UNIT
4	64470000	2	VITE	SCREW
			-Non piu' a ricambio-	-Not as spare part now-
			-Sostituito dal 64882800-	-Replaced by 64882800-
-	64882800	2	VITE	SCREW
5	127494	2	ROSETTA	WASHER
6	14499301	2	ROSETTA	WASHER
7	63941300	1	STAFFA DX. SU MODULO AIR-BAG	R.H. BRACKET ON AIR-BAG MODULE
8	63941400	1	STAFFA SX. SU MODULO AIR-BAG	L.H. BRACKET ON AIR-BAG MODULE
9	62940900	6	VITE	SCREW
10	64781900	1	STAFFA MOBILE DX.	R.H. MOBILE BRACKET
			-No per USA, CDN e GD-	-Not for USA, CDN and GD-
-	63941500	1	STAFFA MOBILE DX.	R.H. MOBILE BRACKET
			-Vale per USA e CDN-	-Valid for USA and CDN-
-	64884100	1	STAFFA MOBILE DX.	R.H. MOBILE BRACKET
			-Vale per GD-	-Valid for GD-
11	64782000	1	STAFFA MOBILE SX.	L.H. MOBILE BRACKET
			-No per USA, CDN e GD-	-Not for USA, CDN and GD-
-	63941600	1	STAFFA MOBILE SX.	L.H. MOBILE BRACKET
			-Vale per USA e CDN-	-Valid for USA and CDN-

Rif	Dis.N° Part.N°	Q.ty	Denominazione	Description
-	64884200	1	STAFFA MOBILE SX.	L.H. MOBILE BRACKET
			-Vale per GD-	-Valid for GD-
12	64630800	1	SPESSORE DX.	R.H. THICKNESS
			-Di eventuale montaggio-	-Possible fitting-
13	64630900	1	SPESSORE SX.	L.H. THICKNESS
			-Di eventuale montaggio-	-Possible fitting-
14	101139	4	DADO	NUT
15	14496524	4	ROSETTA	WASHER
16	64470200	4	VITE	SCREW
			-Non piu' a ricambio-	-Not as spare part now-
			-Sostituito dal 64882600-	-Replaced by 64882600-
-	64882600	4	VITE	SCREW
17	10615674	4	ROSETTA	WASHER
18	12642078	4	ROSETTA	WASHER
19	160855	1	TRECCIA DI MASSA	GROUND CABLE
20	64470000	2	VITE	SCREW
			-Non piu' a ricambio-	-Not as spare part now-
			-Sostituito dal 64882800-	-Replaced by 64882800-
-	64882800	2	VITE	SCREW
21	127494	2	ROSETTA	WASHER
22	12639724	1	ROSETTA	WASHER
23	159320	1	CAVI IMPIANTO AIR-BAG	AIR-BAG DEVICE CABLES
24	163826	1	RESISTORE LATO PASSEGGERO	PASSENGER SIDE RESISTOR



F355

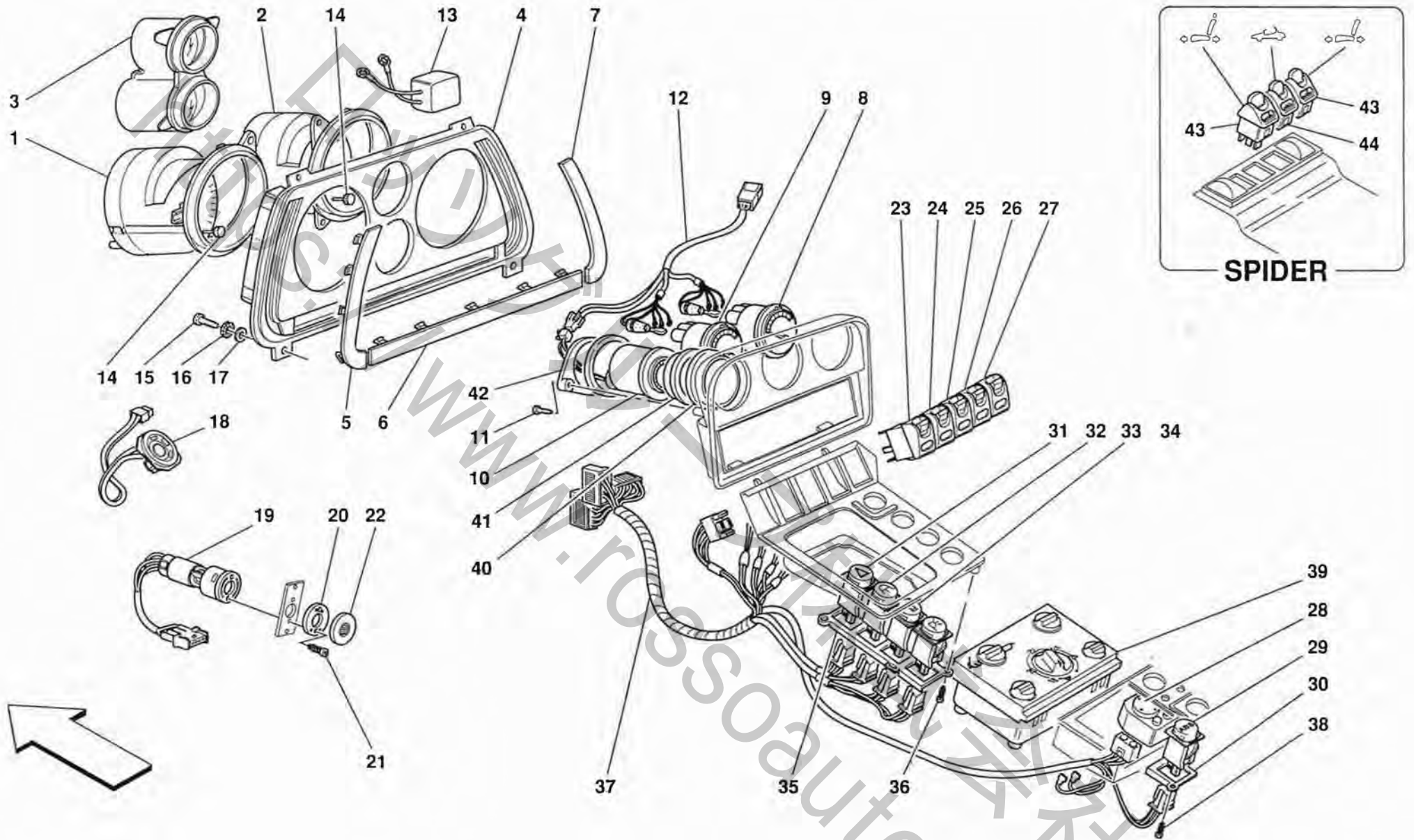
STRUMENTI
INSTRUMENTS

TAV. 135

DATA: GIUGNO '95

Rif	Dis.N° Part.N°	Q.ty	Denominazione	Description
1	157483	1	TACHIMETRO ELETTRONICO -No per USA e GB- -Vale per ORIENTE-	ELECTRONIC SPEEDOMETER -Not for USA and GB- -Valid for ORIENTE-
-	159726	1	TACHIMETRO ELETTRONICO -Vale per USA e GB-	ELECTRONIC SPEEDOMETER -Valid for USA and GB-
2	157484	1	CONTAGIRI ELETTRONICO	ELECTRONIC REVOLUTION COUNTER
3	157485	1	STRUMENTO COMBINATO PRESS. OLIO + TEMP. ACQUA -No per USA e GB- -Vale per ORIENTE-	COMBINED INSTRUMENT OIL PRESS. + WATER TEMP. -Not for USA and GB- -Valid for ORIENTE-
-	159729	1	STRUMENTO COMBINATO PRESS. OLIO + TEMP. ACQUA -Vale per USA e GB-	COMBINED INSTRUMENT OIL PRESS. + WATER TEMP. -Valid for USA and GB-
4	167274	1	PIASTRA STRUMENTI COMPLETA DI SPIE -No per USA, CDN e J-	INSTRUMENT PLATE WITH PILOT LIGHTS -Not for USA, CDN and J-
-	167282	1	PIASTRA STRUMENTI COMPLETA DI SPIE -Vale per USA-	INSTRUMENT PLATE WITH PILOT LIGHTS -Valid for USA-
-	167283	1	PIASTRA STRUMENTI COMPLETA DI SPIE -Vale per CDN-	INSTRUMENT PLATE WITH PILOT LIGHTS -Valid for CDN-
-	167284	1	PIASTRA STRUMENTI COMPLETA DI SPIE -Vale per J-	INSTRUMENT PLATE WITH PILOT LIGHTS -Valid for J-
5	—	1	MOSTRINA TRASPARENTE SPIE LATERALE SX. -Non a ricambio- -Con il pannello strumenti completo-	L.H. LATERAL PILOT LIGHTS TRANSPARENT PLATE -Not as spare part- -With the complete instruments board-
6	—	1	MOSTRINA TRASPARENTE SPIE CENTRALE -Non a ricambio- -Con il pannello strumenti completo-	CENTRAL PILOT LIGHTS TRANSPARENT PLATE -Not as spare part- -With the complete instruments board-
7	—	1	MOSTRINA TRASPARENTE SPIE LATERALE DX. -Non a ricambio- -Con il pannello strumenti completo-	R.H. LATERAL PILOT LIGHTS TRANSPARENT PLATE -Not as spare part- -With the complete instruments board-
8	157490	1	TERMOMETRO OLIO -No per USA e GD-	OIL THERMOMETER -Not for USA and GD-

Rif	Dis.N° Part.N°	Q.ty	Denominazione	Description
-	159733	1	TERMOMETRO OLIO -Vale per USA-	OIL THERMOMETER -Valid for USA-
-	161121	1	TERMOMETRO OLIO -Vale per GB- -No per AUS, ZA e ORIENTE-	OIL THERMOMETER -Valid for GB- -Not for AUS, ZA and ORIENTE-
-	161118	1	TERMOMETRO OLIO -Vale per AUS, ZA e ORIENTE-	OIL THERMOMETER -Valid for AUS, ZA and ORIENTE-
9	157489	1	INDICATORE LIVELLO CARBURANTE -No per GB, AUS, SA e ZA-	FUEL LEVEL INDICATOR -Not for GB, AUS, SA and ZA-
-	161119	1	INDICATORE LIVELLO CARBURANTE -Vale per GB e AUS-	FUEL LEVEL INDICATOR -Valid for GB and AUS-
-	161120	1	INDICATORE LIVELLO CARBURANTE -Vale per SA-	FUEL LEVEL INDICATOR -Valid for SA-
-	159738	1	INDICATORE LIVELLO CARBURANTE -Vale per ZA-	FUEL LEVEL INDICATOR -Valid for ZA-
10	157491	1	OROLOGIO ANALOGICO	ANALOGIC CLOCK
11	64693500	6	VITE	SCREW
12	157492	1	CAVI COLLEG. STRUMENTI	INSTRUMENTS CONNECTING CABLES
13	134406	1	REOSTATO LUCE STRUMENTI	RHEOSTAT FOR INSTRUMENT INDICATOR LAMP
14	152229	2	POMELLO	KNOB
15	15688101	4	VITE	SCREW
16	12598074	4	ROSETTA	WASHER
17	10519224	4	ROSETTA	WASHER
18	141393	2	ALTOPARLANTE TWEETER	LOUD SPEAKER TWEETER
19	63934200	1	SENSORE TEMPERATURA INTERNO ABITACOLO	INNER COMPARTMENT TEMPERATURE SENSOR
20	63994600	1	RONDELLA FISS. SENSORE	SENSOR FIXING WASHER
21	15915977	2	VITE	SCREW
22	63994500	1	GRIGLIA DI COPERTURA SONDA	SENSOR COVERING GRILL
23	157197	1	INTERRUTTORE COMANDO AMMORTIZZATORI VARIABILI -Vale fino ad esaurimento-	VARIABLE SHOCK ABSORBER CONTROL SWITCH -Valid till stock exhaustion-
-	165255	1	INTERRUTTORE COMANDO AMMORTIZZATORI VARIABILI -Vale dopo esaurimento del 157197-	VARIABLE SHOCK ABSORBER CONTROL SWITCH -Valid after stock exhaustion of 157197-
24	157149	1	INTERRUTTORE RETRONEBBIA -No per USA, CDN e J-	REAR FOG LIGHT SWITCH -Not for USA, CDN and J-
-	157148	1	INTERRUTTORE FENDINEBBIA -Vale per USA e J- -Vale fino ad esaurimento-	FOG LIGHTS SWITCH -Valid for USA and J- -Valid till stock exhaustion-



F355

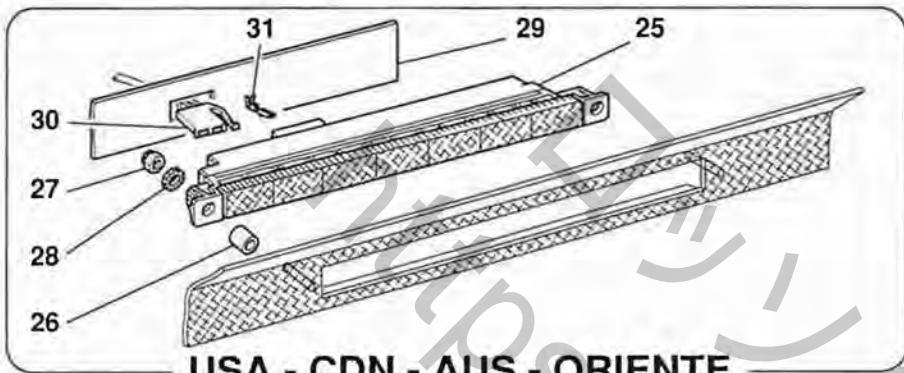
STRUMENTI
INSTRUMENTS

TAV. 135

DATA: GIUGNO '95

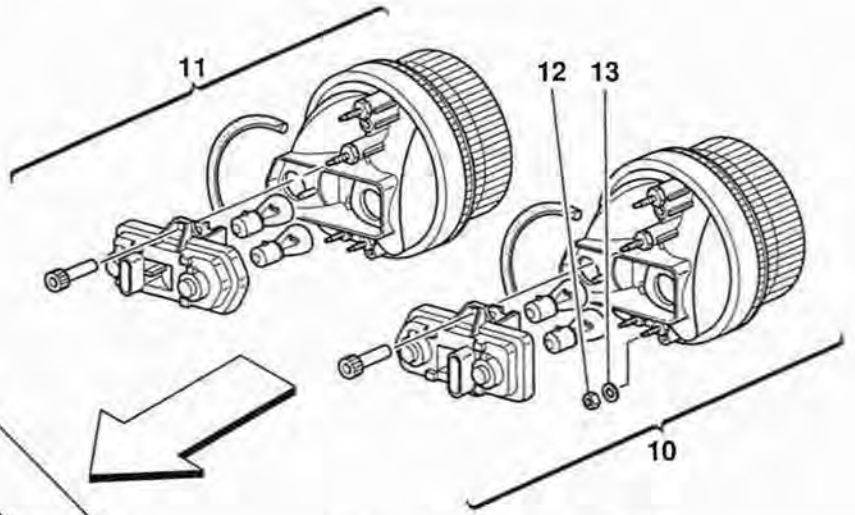
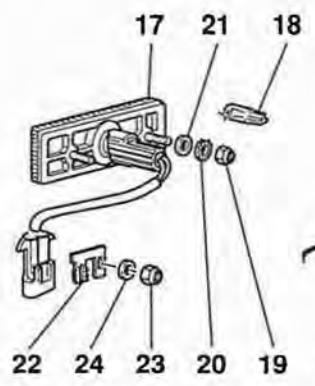
Rif	Dis.N° Part.N°	Q.ty	Denominazione	Description
-	165258	1	INTERRUTTORE FENDINEBBIA -Vale per USA e J- -Vale dopo esaurimento del 157148-	FOG LIGHTS SWITCH -Valid for USA and J- -Valid after stock exhaustion of 157148-
-	162945	1	INTERRUTTORE SBRINAMENTO SPECCHI -Vale per CDN-	MIRRORS DEFROSTING SWITCH -Valid for CDN-
25	157150	1	INTERRUTTORE LUNOTTO TERMICO -No per Spider- -Vale fino ad esaurimento-	SWITCH FOR REAR WINDOW DEFROSTER -Not for Spider- -Valid till stock exhaustion-
-	165253	1	INTERRUTTORE LUNOTTO TERMICO -No per Spider- -Vale dopo esaurimento del 157150-	SWITCH FOR REAR WINDOW DEFROSTER -Not for Spider- -Valid after stock exhaustion of 157150-
-	162945	1	INTERRUTTORE SBRINAMENTO SPECCHI -Vale per Spider-	MIRRORS DEFROSTING SWITCH -Valid for Spider-
26	157137	1	PULSANTE BLOCCOPORTE -Vale fino ad esaurimento-	DOORS LOCKING PUSH-BUTTON -Valid till stock exhaustion-
-	165259	1	PULSANTE BLOCCOPORTE -Vale dopo esaurimento del 157137-	DOORS LOCKING PUSH-BUTTON -Valid after stock exhaustion of 157137-
27	157138	1	PULSANTE SBLOCCOPORTE -Vale fino ad esaurimento-	DOORS UNLOCKING PUSH-BUTTON -Valid till stock exhaustion-
-	165260	1	PULSANTE SBLOCCOPORTE -Vale dopo esaurimento del 157138-	DOORS UNLOCKING PUSH-BUTTON -Valid after stock exhaustion of 157138-
28	153114	1	INTERRUTTORE COMANDO RETROVISORI ESTERNI	SWITCH FOR OUTER REARVIEW MIRRORS CONTROL
29	157481	1	PULSANTE ESCLUSIONE ABS -No per USA, CDN e AUS-	ABS CUT-OUT PUSH-BUTTON -Not for USA, CDN and AUS-
30	64234800	1	SUPPORTO INTERRUTTORE -No per USA, CDN e AUS-	SWITCH SUPPORT -Not for USA, CDN and AUS-
31	157477	1	INTERRUTTORE LUCI EMERGENZA	EMERGENCY LIGHTS SWITCH
32	157478	1	INTERRUTTORE COMANDO PLAFONIERA TETTO	SWITCH FOR ROOF LIGHT
33	157480	1	PULSANTE COMANDO SPORTELLO BENZINA	FUEL DOOR CONTROL PUSH-BUTTON

Rif	Dis.N° Part.N°	Q.ty	Denominazione	Description
34	157479	1	INTERRUTTORE COMANDO LUCI PARCHEGGIO	PARKING LIGHTS CONTROL SWITCH
35	64234500	1	SUPPORTO INTERRUTTORI -No per GD-	SWITCHES SUPPORT -Not for GD-
-	64437700	1	SUPPORTO INTERRUTTORI -Vale per GD-	SWITCHES SUPPORT -Valid for GD-
36	15900270	4	VITE	SCREW
37	152184	1	CAVI COLLEG. TUNNEL-CONSOLLE -No per USA, CDN, AUS e J-	CABLES FOR TUNNEL-CONSOLE CONNECTION -Not for USA, CDN, AUS and J-
-	159652	1	CAVI COLLEG. TUNNEL-CONSOLLE -Vale per USA-	CABLES FOR TUNNEL-CONSOLE CONNECTION -Valid for USA-
-	162930	1	CAVI COLLEG. TUNNEL-CONSOLLE -Vale per CDN-	CABLES FOR TUNNEL-CONSOLE CONNECTION -Valid for CDN-
-	164847	1	CAVI COLLEG. TUNNEL-CONSOLLE -Vale per AUS-	CABLES FOR TUNNEL-CONSOLE CONNECTION -Valid for AUS-
-	159787	1	CAVI COLLEG. TUNNEL-CONSOLLE -Vale per J-	CABLES FOR TUNNEL-CONSOLE CONNECTION -Valid for J-
38	15900270	2	VITE -No per USA, CDN e AUS-	SCREW -Not for USA, CDN and AUS-
39	64310500	1	PLANCETTA COMANDO A.C. -No per USA, GB e AUS-	A.C. CONTROL DASHBOARD -Not for USA, GB and AUS-
-	64502200	1	PLANCETTA COMANDO A.C. -Vale per USA, GB e AUS-	A.C. CONTROL DASHBOARD -Valid for USA, GB and AUS-
40	64895700	3	CORNICE STRUMENTO	INSTRUMENT FRAME
41	64895800	3	CONO VISUALE	CONE
42	64895900	3	FLANGIA FISS. STRUMENTO	INSTRUMENT FIXING FLANGE
43	163792	2	PULSANTE COMANDO MOVIMENTO SEDILI -Vale per Spider-	SEATS ADJUSTMENT PUSH BUTTON -Valid for Spider-
44	163781	1	PULSANTE COMANDO APERTURA/CHIUSURA CAPOTE -Vale per Spider-	TOP OPENING/ENCLOSURE CONTROL PUSH-BUTTON -Valid for Spider-

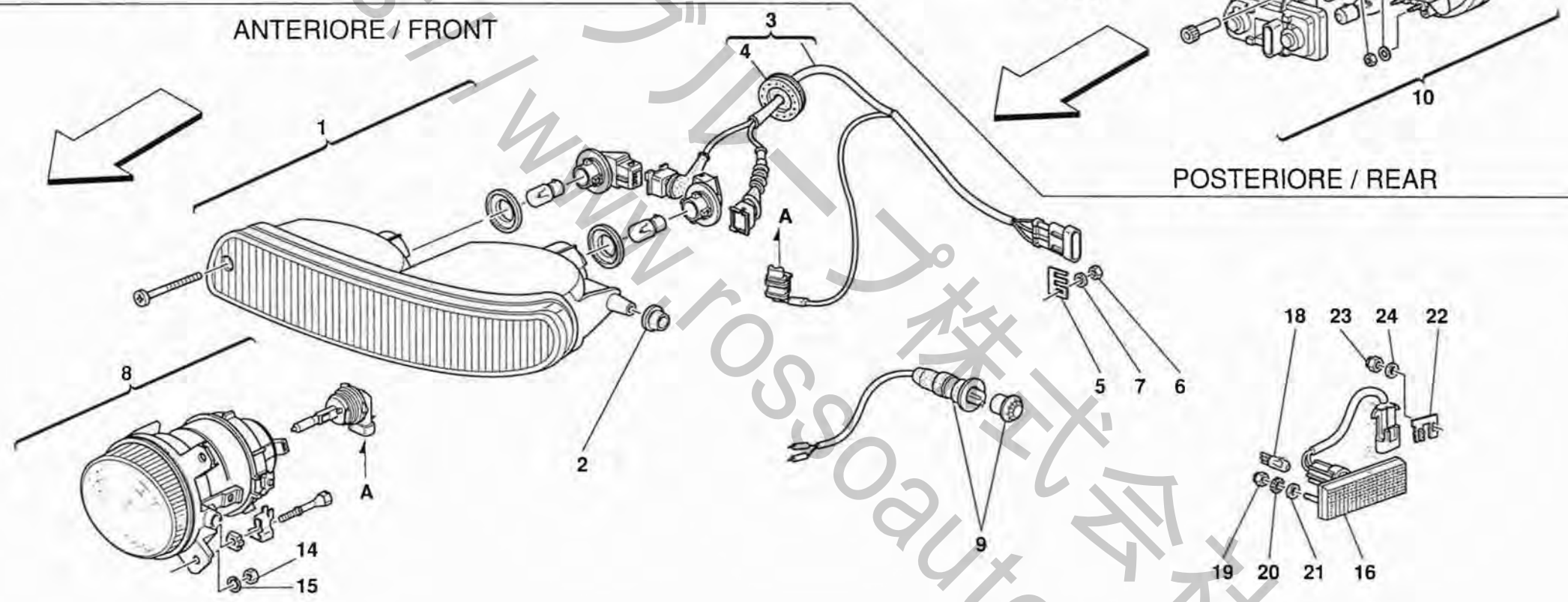


USA - CDN - AUS - ORIENTE

ANTERIORE / FRONT



POSTERIORE / REAR



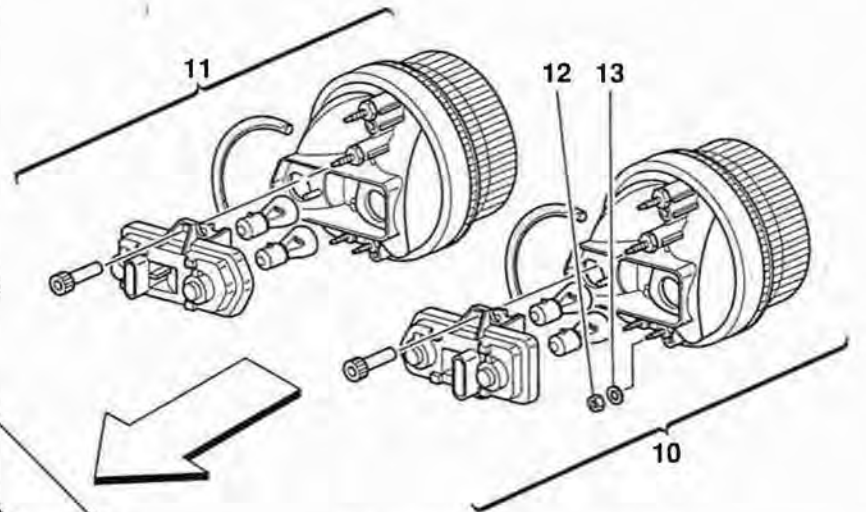
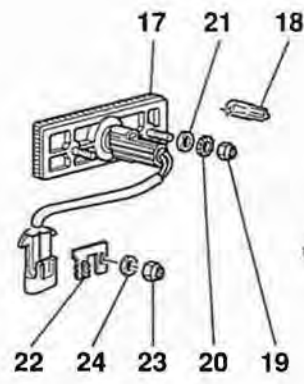
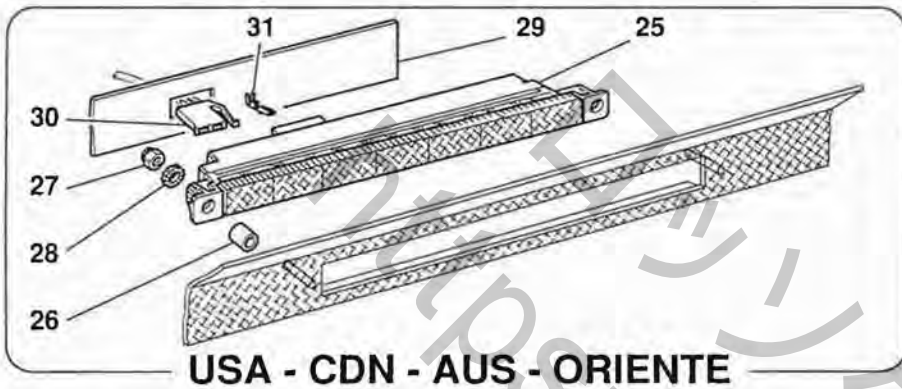
F355

FANALI ANTERIORI E POSTERIORI
 FRONT AND REAR LIGHTS

TAV. 136
 DATA: GIUGNO '95

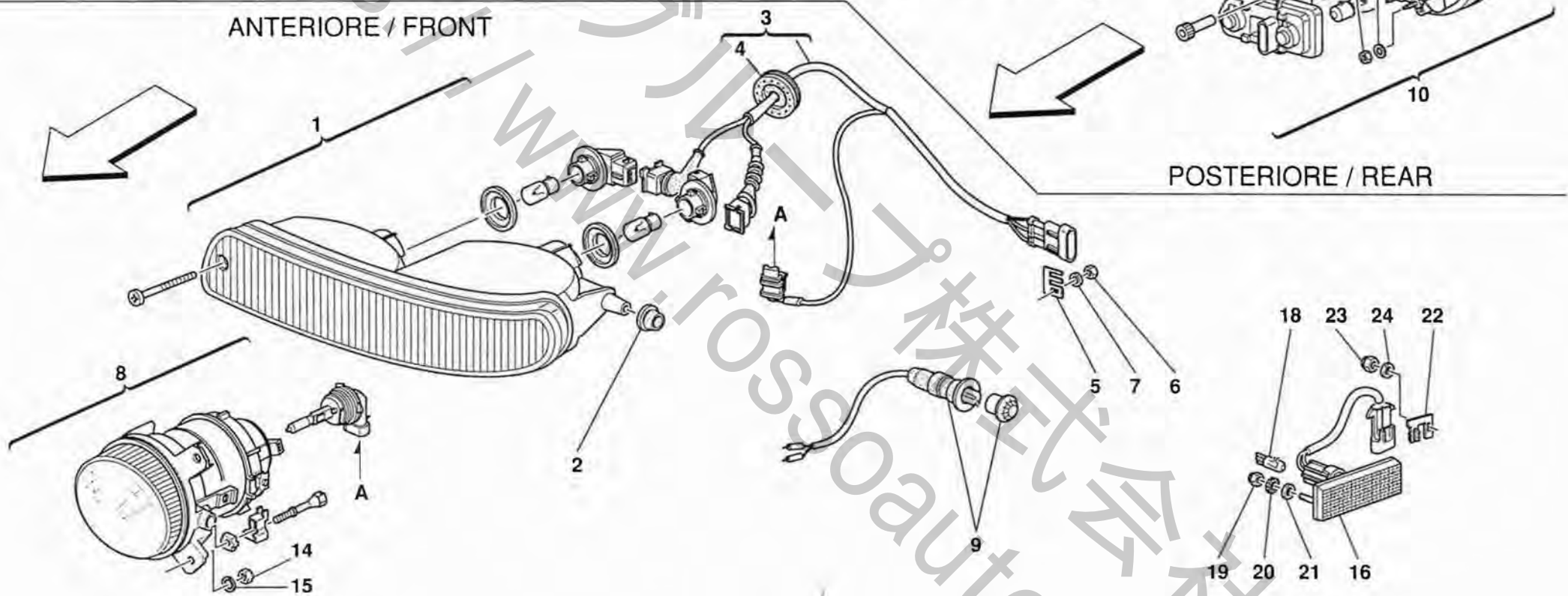
Rif	Dis.N° Part.N°	Q.ty	Denominazione	Description
1	157512	1	FANALE ANT. SX. -No per USA e CDN-	L.H. FRONT LAMP -Not for USA and CDN-
-	157675	1	FANALE ANT. SX. -Vale per USA e CDN-	L.H. FRONT LAMP -Valid for USA and CDN-
-	157511	1	FANALE ANT. DX. -No per USA e CDN-	R.H. FRONT LAMP -Not for USA and CDN-
-	157674	1	FANALE ANT. DX. -Vale per USA e CDN-	R.H. FRONT LAMP -Valid for USA and CDN-
2	62164500	2	GOMMINO	RUBBER
3	160835	2	CAVI COLLEG. FANALI ANT. -No per USA e CDN-	FRONT LIGHTS CONNECTING CABLES -Not for USA and CDN-
-	161643	1	CAVI COLLEG. FANALI ANT. -Vale per USA e CDN-	FRONT LIGHTS CONNECTING CABLES -Valid for USA and CDN-
4	10398780	2	ANELLO PASSAFILO	CABLE GROMMET
5	155751	2	CLIP	CLIP
6	12574011	2	DADO	NUT
7	10519224	2	ROSETTA	WASHER
8	157518	1	FANALE ANT. SX. LAMPEGGIO DIURNO -No per USA, CDN e J-	L.H. FRONT LAMP FOR DIURNAL FLASHING -Not for USA, CDN and J-
-	157520	1	FANALE ANTINEBBIA SX. -Vale per USA, CDN e J- -Vale fino ad esaurimento-	L.H. FOG LIGHT -Valid for USA, CDN and J- -Valid till stock exhaustion-
-	164474	1	FANALE ANTINEBBIA SX. -Vale per USA, CDN e J- -Vale dopo esaurimento del 157520-	L.H. FOG LIGHT -Valid for USA, CDN and J- -Valid after stock exhaustion of 157520-
-	157517	1	FANALE ANT. DX. LAMPEGGIO DIURNO -No per USA, CDN e J-	DIURNAL FLASHING R.H. FRONT LAMP -Not for USA, CDN and J-
-	157519	1	FANALE ANTINEBBIA DX. -Vale per USA, CDN e J- -Vale fino ad esaurimento-	R.H. FOG LIGHT -Valid for USA, CDN and J- -Valid till stock exhaustion-
-	164473	1	FANALE ANTINEBBIA DX. -Vale per USA, CDN e J- -Vale dopo esaurimento del 157519-	R.H. FOG LIGHT -Valid for USA, CDN and J- -Valid after stock exhaustion of 157519-
9	162902	2	FANALE LATERALE ANT. DIREZIONE -No per USA e CDN-	FRONT SIDE DIRECTION LIGHT -Not for USA and CDN-
10	157516	1	FANALE POST. ESTERNO SX. -No per USA e CDN-	L.H. OUTER REAR LIGHT -Not for USA and CDN-

Rif	Dis.N° Part.N°	Q.ty	Denominazione	Description
-	157523	1	FANALE POST. ESTERNO SX. -Vale per USA e CDN-	L.H. OUTER REAR LIGHT -Valid for USA and CDN-
-	157515	1	FANALE POST. ESTERNO DX. -No per USA e CDN-	R.H. OUTER REAR LIGHT -Not for USA and CDN-
-	157522	1	FANALE POST. ESTERNO DX. -Vale per USA e CDN-	R.H. OUTER REAR LIGHT -Valid for USA and CDN-
11	157514	1	FANALE POST. INTERNO SX. -No per USA, CDN e J-	L.H. INNER REAR LIGHT -Not for USA, CDN and J-
-	157525	1	FANALE POST. INTERNO SX. -Vale per USA, CDN e J-	L.H. INNER REAR LIGHT -Valid for USA, CDN and J-
-	157513	1	FANALE POST. INTERNO DX. -No per USA, CDN e J-	R.H. INNER REAR LIGHT -Not for USA, CDN and J-
-	157524	1	FANALE POST. INTERNO DX. -Vale per USA, CDN e J-	R.H. INNER REAR LIGHT -Valid for USA, CDN and J-
12	12575411	8	DADO	NUT
13	10519424	8	ROSETTA	WASHER
14	14048615	6	DADO	NUT
15	12638124	6	ROSETTA	WASHER
16	147563	2	FANALE SIDE-MARKER ANT. -Vale per USA e CDN-	FRONT SIDE-MARKER LAMP -Valid for USA and CDN-
17	140594	2	FANALE SIDE-MARKER POST. -Vale per USA e CDN-	REAR SIDE-MARKER LIGHT -Valid for USA and CDN-
18	14145890	4	LAMPADA SAE 12V TIPO 194-2CP -Vale per USA e CDN-	SAE 12V 194-2CP BULB -Valid for USA and CDN-
19	15896211	8	DADO -Vale per USA e CDN-	NUT -Valid for USA and CDN-
20	12605374	8	ROSETTA -Vale per USA e CDN-	WASHER -Valid for USA and CDN-
21	12644424	8	ROSETTA -Vale per USA e CDN-	WASHER -Valid for USA and CDN-
22	155751	4	CLIP -Vale per USA e CDN-	CLIP -Valid for USA and CDN-
23	12574011	4	DADO -Vale per USA e CDN-	NUT -Valid for USA and CDN-
24	10519224	4	ROSETTA -Vale per USA e CDN-	WASHER -Valid for USA and CDN-
25	140568	1	FANALE ARRESTO SUPPLEMENTARE -Vale per USA, CDN, AUS e ORIENTE-	ADDITIONAL STOP LIGHT -Valid for USA, CDN, AUS and ORIENTE-
26	64529600	2	DISTANZIALE -Vale per USA, CDN, AUS e ORIENTE-	SPACER -Valid for USA, CDN, AUS and ORIENTE-



ANTERIORE / FRONT

POSTERIORE / REAR



F355

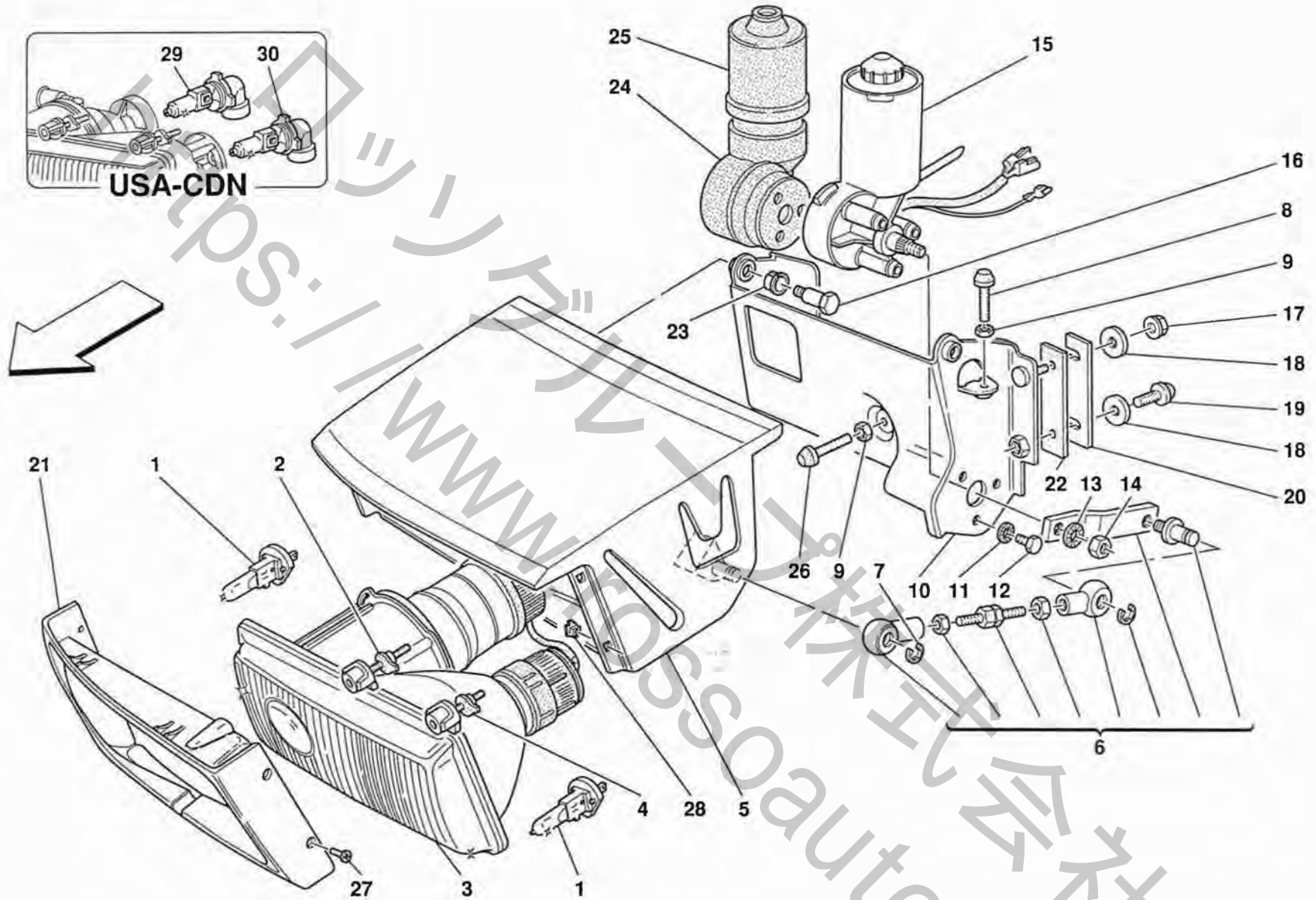
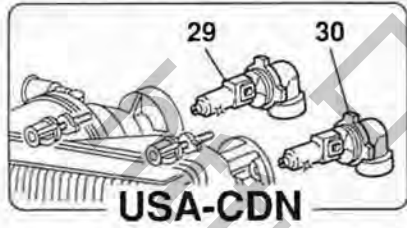
FANALI ANTERIORI E POSTERIORI
FRONT AND REAR LIGHTS

TAV. 136

DATA: GIUGNO '95

Rif	Dis.N° Part.N°	Q.ty	Denominazione	Description
27	10794011	2	DADO -Vale per USA, CDN, AUS e ORIENTE-	NUT -Valid for USA, CDN, AUS and ORIENTE-
28	10615274	2	ROSETTA -Vale per USA, CDN, AUS e ORIENTE-	WASHER -Valid for USA, CDN, AUS and ORIENTE-
29	64619100	1	ISOLANTE STOP LAMP -Vale per USA, CDN, AUS e ORIENTE-	STOP LAMP INSULATION -Valid for USA, CDN, AUS and ORIENTE-

Rif	Dis.N° Part.N°	Q.ty	Denominazione	Description
30	146044	1	CONNETTORE FANALE STOP SUPPLEMENTARE -Vale per vett. con fanale arresto supplementare-	ADDITIONAL STOP LIGHT CONNECTOR -Valid for cars with additional stop light-
31	139100	2	CAPOCORDA FANALE STOP SUPPLEMENTARE -Vale per vett. con fanale arresto supplementare-	ADDITIONAL STOP LIGHT TERMINAL -Valid for cars with additional stop light-



F355

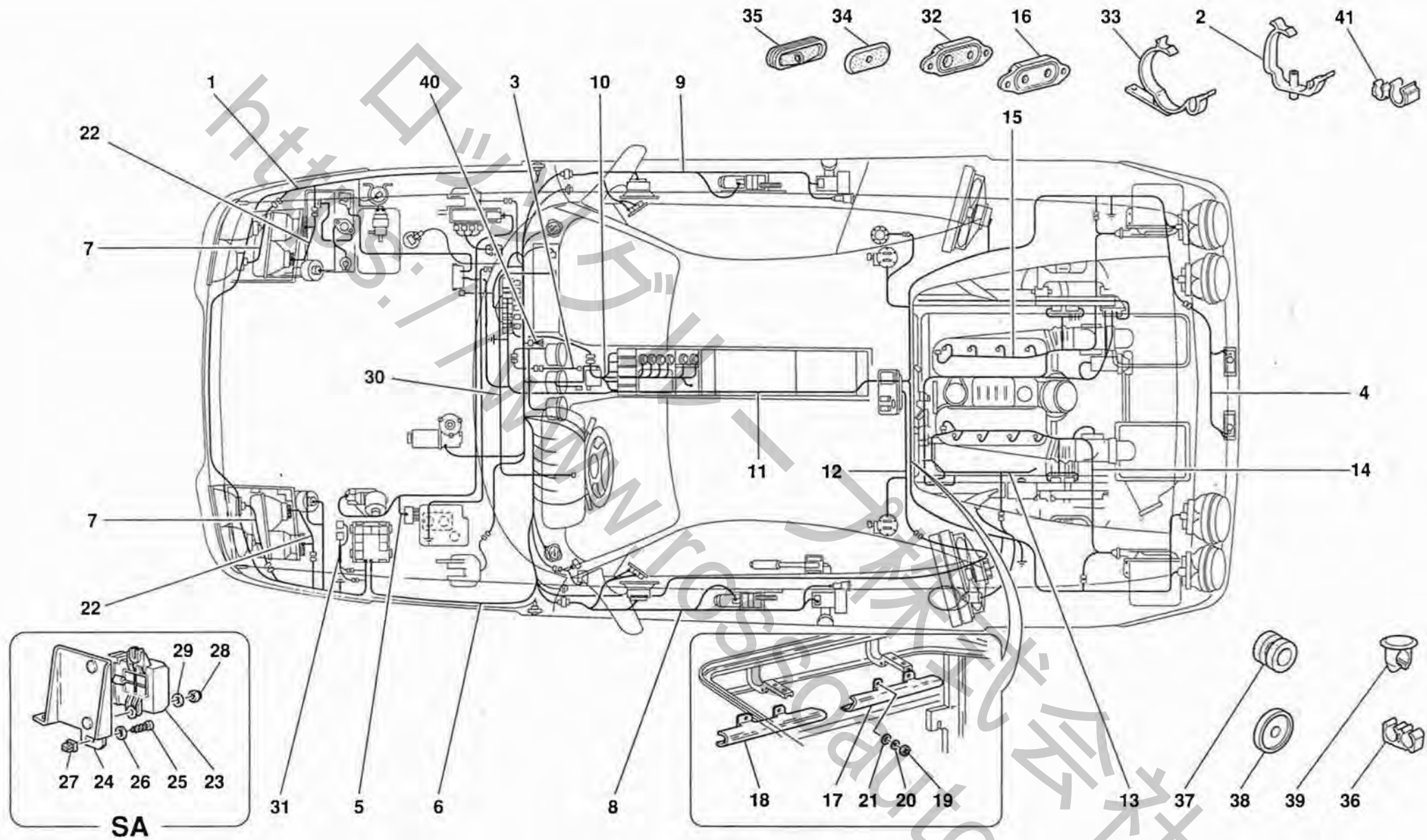
DISPOSITIVO ALZAFARI E PROIETTORI
LIGHTS LIFTING DEVICE AND HEADLIGHTS

TAV. 137

DATA: GIUGNO '95

Rif	Dis.N° Part.N°	Q.ty	Denominazione	Description
1	14151095	4	LAMPADA 12V-55W TIPO H1	H1 12V-55W BULB
2	148086	2	PERNO PUNTO FISSO	FIXED POINT PIN
3	133080	1	PROIETTORE DX. ANABB./ABB. -No per USA, CDN, GD e J-	R.H. HEADLIGHT LOW/HIGH BEAM -Not for USA, CDN, GD and J-
-	133082	1	PROIETTORE DX. ANABB./ABB. -Vale per USA e CDN-	R.H. HEADLIGHT LOW/HIGH BEAM -Valid for USA and CDN-
-	133084	1	PROIETTORE DX. ANABB./ABB. -Vale per GD-	R.H. HEADLIGHT LOW/HIGH BEAM -Valid for GD-
-	146157	1	PROIETTORE DX. ANABB./ABB. -Vale per J-	R.H. HEADLIGHT LOW/HIGH BEAM -Valid for J-
-	133081	1	PROIETTORE SX. ANABB./ABB. -No per USA, CDN, GD e J-	L.H. HEADLIGHT LOW/HIGH BEAM -Not for USA, CDN, GD and J-
-	133083	1	PROIETTORE SX. ANABB./ABB. -Vale per USA e CDN-	L.H. HEADLIGHT LOW/HIGH BEAM -Valid for USA and CDN-
-	133085	1	PROIETTORE SX. ANABB./ABB. -Vale per GD-	L.H. HEADLIGHT LOW/HIGH BEAM -Valid for GD-
-	146158	1	PROIETTORE SX. ANABB./ABB. -Vale per J-	L.H. HEADLIGHT LOW/HIGH BEAM -Valid for J-
4	148088	4	VITE REG. PROIETTORE	HEADLIGHT ADJUSTING SCREW
5	63501700	1	CONTENITORE FARO DX.	R.H. LIGHT CONTAINER
-	63501800	1	CONTENITORE FARO SX.	L.H. LIGHT CONTAINER
6	62608300	2	BIELLA E MANOVELLA COMPLETA	COMPLETE CONNECTING ROD AND HANDLE
7	16160976	2	ANELLO ELASTICO	FLEXIBLE RING
8	63346700	4	PUNTALINO REG. SUPERIORE FARO	UPPER LIGHT ADJUSTMENT PIN
9	15896211	6	DADO	NUT
10	62131300	1	STAFFA DX. SOSTEGNO FARI	R.H. BRACKET FOR LIGHTS SUPPORT
-	62131400	1	STAFFA SX. SOSTEGNO FARI	L.H. BRACKET FOR LIGHTS SUPPORT
11	10615474	6	ROSETTA	WASHER
12	10902111	6	VITE	SCREW
13	10615474	2	ROSETTA	WASHER
14	15896211	2	DADO	NUT

Rif	Dis.N° Part.N°	Q.ty	Denominazione	Description
15	149134	1	MOTORINO ALZAFARI DX.	R.H. LIGHT LIFTING MOTOR
-	149133	1	MOTORINO ALZAFARI SX.	L.H. LIGHT LIFTING MOTOR
16	63346400	4	PERNO FULCRO BRACCIO CONTENITORE FARI	LIGHT CONTAINER ARM SUPPORT PIN
17	13832201	4	DADO	NUT
18	12625224	8	ROSETTA -Di eventuale montaggio-	WASHER -Possible fitting-
19	13838911	4	VITE	SCREW
20	62227500	4	DISTANZIALE ESTERNO REG. FARO	OUTER SPACER FOR LIGHT ADJUSTMENT
-	62227600	4	DISTANZIALE INTERNO REG. FARO	INNER SPACER FOR LIGHT ADJUSTMENT
21	62071210	1	CORNICE FARO DX.	R.H. LIGHT RIM
-	62071310	1	CORNICE FARO SX.	L.H. LIGHT RIM
22	63344900	2	GUARNIZIONE INTERNA	INNER GASKET
-	63344800	2	GUARNIZIONE ESTERNA	OUTER GASKET
23	62998000	4	BOCCOLA	BUSHING
24	60331204	1	PROTEZIONE INFERIORE MOTORINO ALZAFARO DX.	LOWER GUARD FOR R.H. LIGHT LIFTING MOTOR
-	60331303	1	PROTEZIONE INFERIORE MOTORINO ALZAFARO SX.	LOWER GUARD FOR L.H. LIGHT LIFTING MOTOR
25	60331402	2	PROTEZIONE SUPERIORE MOTORINO ALZAFARO	UPPER GUARD FOR LIGHT LIFTING MOTOR
26	63346800	2	PUNTALINO REGOLAZIONE INFERIORE FARO	LOWER LIGHT ADJUSTMENT PIN
27	13297377	8	VITE	SCREW
28	63595100	8	DADO	NUT
29	143165	2	LAMPADA 12V-55W TIPO HB4 -Vale per USA e CDN-	HB4 12V-55W BULB -Valid for USA and CDN-
30	143166	2	LAMPADA 12V-65W TIPO HB3 -Vale per USA e CDN-	HB3 12V-65W BULB -Valid for USA and CDN-



F355

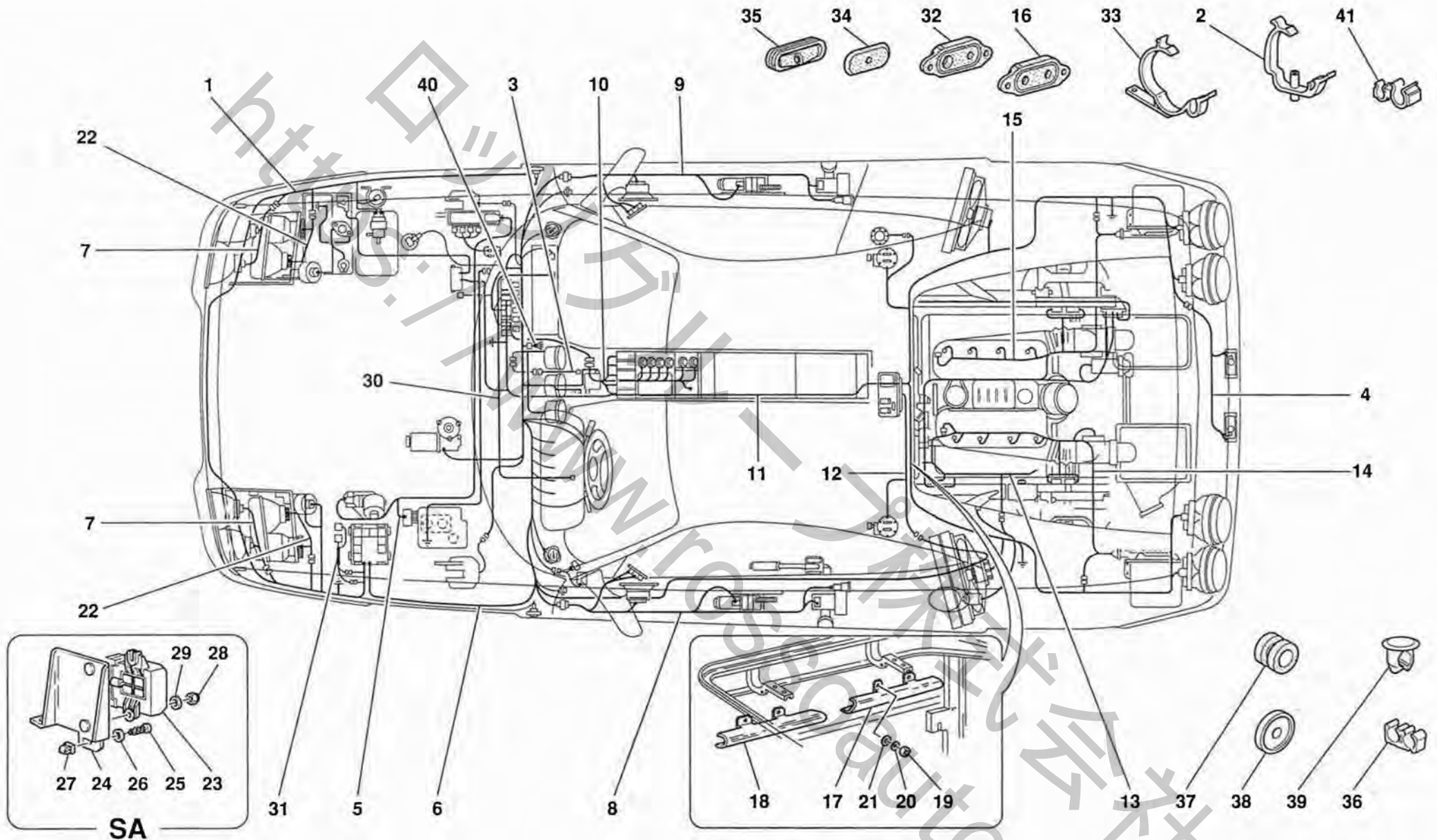
IMPIANTO ELETTRICO
 ELECTRICAL SYSTEM

TAV. 140

DATA: GIUGNO '95

Rif	Dis.N° Part.N°	Q.ty	Denominazione	Description
1	152181	1	CAVI PARTE ANT. -No per USA, CDN e J-	FRONT CABLES -Not for USA, CDN and J-
-	159784	1	CAVI PARTE ANT. -Vale per USA e J-	FRONT CABLES -Valid for USA and J-
-	162928	1	CAVI PARTE ANT. -Vale per CDN-	FRONT CABLES -Valid for CDN-
2	60991000	2	FASCETTA	CLAMP
3	153142	1	CAVI PREDISPOSIZIONE AUTORADIO	CAR RADIO CABLES
4	153479	1	CAVI LUCI TARGA	CABLES FOR NUMBER PLATE LIGHTS
5	158042	1	CAVI COLLEG. DISPOSITIVI ANTISKID	CABLES FOR ANTISKID DEVICES CONNECTION
-	160892	1	CAVI COLLEG. DISPOSITIVI ANTISKID -Vale per GD-	CABLES FOR ANTISKID DEVICES CONNECTION -Not for GD-
6	162611	1	CAVI COLLEG. PLANCIA -No per vett. con AIR-BAG- -No per GB, ZA, AUS e J- -No per Spider-	DASHBOARD CONNECTION CABLES -Not for AIR-BAG cars- -Not for GB, ZA, AUS and J- -Not for Spider-
-	160891	1	CAVI COLLEG. PLANCIA -Vale per GB e ZA senza AIR-BAG- -No per Spider-	DASHBOARD CONNECTION CABLES -Valid for GB and ZA without AIR-BAG- -Not for Spider-
-	164845	1	CAVI COLLEG. PLANCIA -Vale per AUS senza AIR-BAG- -No per Spider-	DASHBOARD CONNECTION CABLES -Valid for AUS without AIR-BAG- -Not for Spider-
-	159785	1	CAVI COLLEG. PLANCIA -Vale per J senza AIR-BAG- -No per Spider-	DASHBOARD CONNECTION CABLES -Valid for J without AIR-BAG- -Not for Spider-
-	165949	1	CAVI COLLEG. PLANCIA -Vale per vett. con AIR-BAG- -No per USA, CDN, GB, ZA, AUS e J- -No per Spider-	DASHBOARD CONNECTION CABLES -Valid for AIR-BAG cars- -Not for USA, CDN, GB, ZA, AUS and J- -Not for Spider-
-	159650	1	CAVI COLLEG. PLANCIA -Vale per USA- -No per Spider-	DASHBOARD CONNECTION CABLES -Valid for USA- -Not for Spider-
-	162929	1	CAVI COLLEG. PLANCIA -Vale per CDN- -No per Spider-	DASHBOARD CONNECTION CABLES -Valid for CDN- -Not for Spider-

Rif	Dis.N° Part.N°	Q.ty	Denominazione	Description
-	167559	1	CAVI COLLEG. PLANCIA -Vale per GB e ZA con AIR-BAG- -No per Spider-	DASHBOARD CONNECTION CABLES -Valid for GB and ZA with AIR-BAG- -Not for Spider-
-	168014	1	CAVI COLLEG. PLANCIA -Vale per AUS con AIR-BAG- -No per Spider-	DASHBOARD CONNECTION CABLES -Valid for AUS with AIR-BAG- -Not for Spider-
-	165008	1	CAVI COLLEG. PLANCIA -Vale per J con AIR-BAG- -No per Spider-	DASHBOARD CONNECTION CABLES -Valid for J with AIR-BAG- -Not for Spider-
-	163784	1	CAVI COLLEG. PLANCIA -Vale per Spider- -No per USA, CDN, GB, ZA, AUS e J-	DASHBOARD CONNECTION CABLES -Valid for Spider- -Not for USA, CDN, GB, ZA, AUS and J-
-	164545	1	CAVI COLLEG. PLANCIA -Vale per Spider USA-	DASHBOARD CONNECTION CABLES -Valid for USA Spider -
-	165666	1	CAVI COLLEG. PLANCIA -Vale per Spider CDN-	DASHBOARD CONNECTION CABLES -Valid for CDN Spider -
-	165716	1	CAVI COLLEG. PLANCIA -Vale per Spider GB e Spider ZA -	DASHBOARD CONNECTION CABLES -Valid for GB Spider and ZA Spider -
-	168030	1	CAVI COLLEG. PLANCIA -Vale per Spider AUS-	DASHBOARD CONNECTION CABLES -Valid for AUS Spider-
-	165622	1	CAVI COLLEG. PLANCIA -Vale per Spider J-	DASHBOARD CONNECTION CABLES -Valid for J Spider -
7	160835	2	CAVI COLLEG. FANALI ANT. -No per USA e CDN-	FRONT LIGHTS CONNECTING CABLES -Not for USA and CDN-
-	161643	2	CAVI COLLEG. FANALI ANT. -Vale per USA e CDN-	FRONT LIGHTS CONNECTING CABLES -Valid for USA and CDN-
8	152185	1	CAVI COLLEG. PORTA LATO PILOTA -No per Spider-	DRIVER SIDE DOOR CONNECTING CABLES -Not for Spider-
-	163786	1	CAVI COLLEG. PORTA LATO PILOTA -Vale per Spider-	DRIVER SIDE DOOR CONNECTING CABLES -Valid for Spider-
9	152186	1	CAVI COLLEG. PORTA LATO PASSEGGERO -No per Spider-	PASSENGER SIDE DOOR CONNECTING CABLES -Not for Spider-
-	163787	1	CAVI COLLEG. PORTA LATO PASSEGGERO -Vale per Spider-	PASSENGER SIDE DOOR CONNECTING CABLES -Valid for Spider-
10	152184	1	CAVI COLLEG. TUNNEL-CONSOLLE -No per USA, CDN, AUS e J-	CABLES FOR TUNNEL-CONSOLE CONNECTION -Not for USA, CDN, AUS and J-



F355

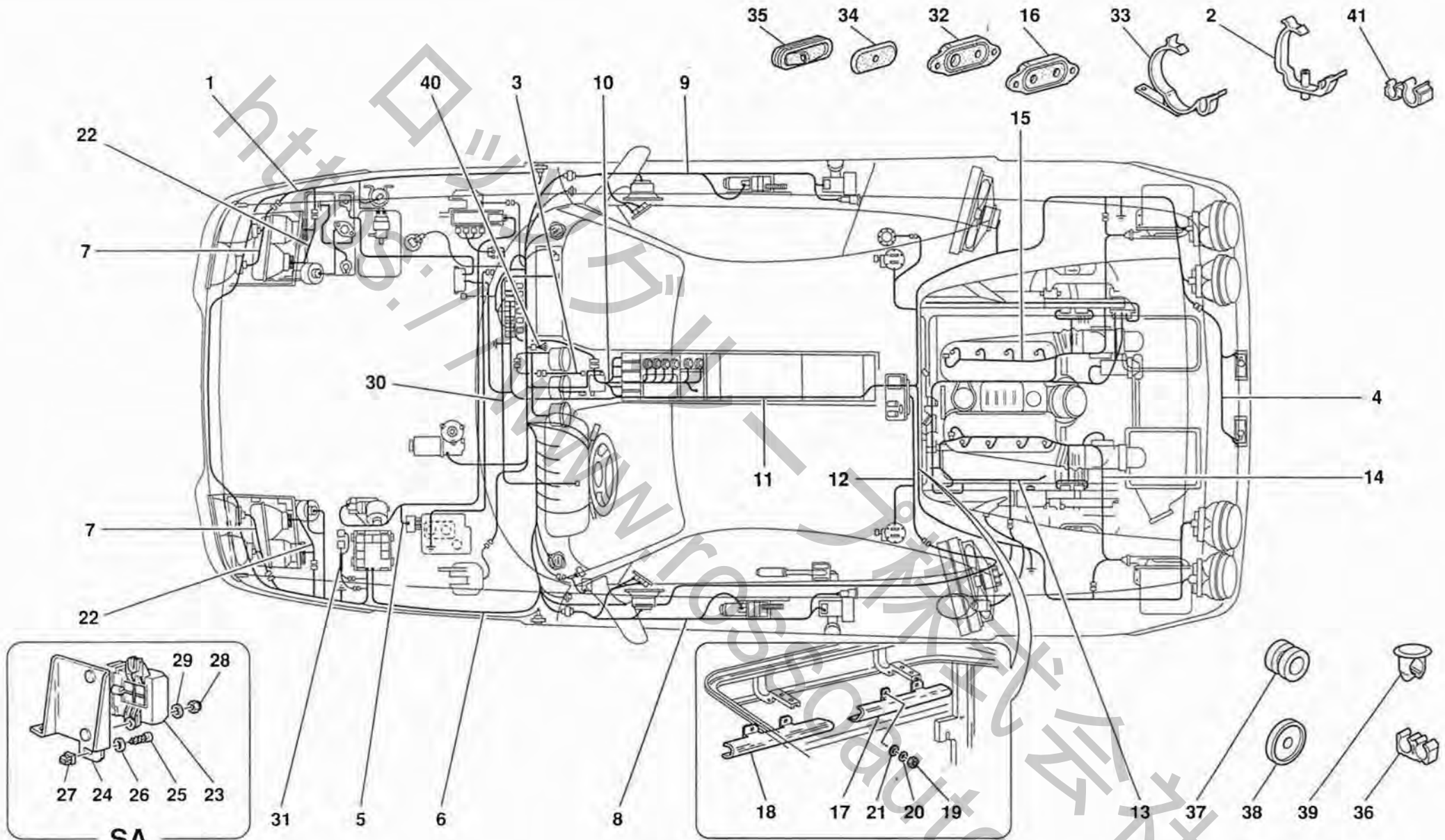
IMPIANTO ELETTRICO
ELECTRICAL SYSTEM

TAV. 140

DATA: GIUGNO '95

Rif	Dis.N° Part.N°	Q.ty	Denominazione	Description
-	159652	1	CAVI COLLEG. TUNNEL-CONSOLLE -Vale per USA-	CABLES FOR TUNNEL-CONSOLE CONNECTION -Valid for USA-
-	162930	1	CAVI COLLEG. TUNNEL-CONSOLLE -Vale per CDN-	CABLES FOR TUNNEL-CONSOLE CONNECTION -Valid for CDN-
-	164847	1	CAVI COLLEG. TUNNEL-CONSOLLE -Vale per AUS-	CABLES FOR TUNNEL-CONSOLE CONNECTION -Valid for AUS-
-	159787	1	CAVI COLLEG. TUNNEL-CONSOLLE -Vale per J-	CABLES FOR TUNNEL-CONSOLE CONNECTION -Valid for J-
11	152183	1	CAVI PARTE POST. -No per Spider- -No per USA, CDN, AUS, SA e J- -Vale fino ad esaurimento-	REAR CABLES -Not for Spider- -Not for USA, CDN, AUS, SA and J- -Valid till stock exhaustion-
-	164553	1	CAVI PARTE POST. -Vale per vett. con doppia pompa benzina- -No per USA, CDN, AUS, SA e J- -No per Spider- -Vale dopo esaurimento del 152183-	REAR CABLES -Valid for cars with double fuel pump- -Not for USA, CDN, AUS, SA and J- -Not for Spider- -Valid after stock exhaustion of 152183-
-	166525	1	CAVI PARTE POST. -Vale per vett. con monopompa benzina- -No per USA, CDN, AUS, SA e J- -No per Spider-	REAR CABLES -Valid for cars with single fuel pump- -Not for USA, CDN, AUS, SA and J- -Not for Spider-
-	163785	1	CAVI PARTE POST. -Vale per Spider con doppia pompa benzina- -No per USA, CDN, AUS, SA e J-	REAR CABLES -Valid for Spider with double fuel pump- -Not for USA, CDN, AUS, SA and J-
-	166528	1	CAVI PARTE POST. -Vale per Spider con monopompa benzina- -No per USA, CDN, AUS, SA e J-	REAR CABLES -Valid for Spider with single fuel pump- -Not for USA, CDN, AUS, SA and J-
-	164894	1	CAVI PARTE POST. -Vale per USA e CDN con doppia pompa benzina- -No per Spider-	REAR CABLES -Valid for USA and CDN with double fuel pump- -Not for Spider-

Rif	Dis.N° Part.N°	Q.ty	Denominazione	Description
-	166524	1	CAVI PARTE POST. -Vale per USA e CDN con monopompa benzina- -No per Spider-	REAR CABLES -Valid for USA and CDN with single fuel pump- -Not for Spider-
-	164546	1	CAVI PARTE POST. -Vale per Spider USA e Spider CDN con doppia pompa benzina-	REAR CABLES -Valid for USA Spider and CDN Spider with double fuel pump-
-	166527	1	CAVI PARTE POST. -Vale per Spider USA e Spider CDN con monopompa benzina-	REAR CABLES -Valid for USA Spider and CDN Spider with single fuel pump-
-	164846	1	CAVI PARTE POST. -Vale per AUS con doppia pompa benzina- -No per Spider-	REAR CABLES -Valid for AUS with double fuel pump- -Not for Spider-
-	166526	1	CAVI PARTE POST. -Vale per AUS con monopompa benzina- -No per Spider-	REAR CABLES -Valid for AUS with single fuel pump- -Not for Spider-
-	168050	1	CAVI PARTE POST. -Vale per AUS Spider-	REAR CABLES -Valid for AUS Spider-
-	164893	1	CAVI PARTE POST. -Vale per SA con doppia pompa benzina- -No per Spider-	REAR CABLES -Valid for SA with double fuel pump- -Not for Spider-
-	166523	1	CAVI PARTE POST. -Vale per SA con monopompa benzina- -No per Spider-	REAR CABLES -Valid for SA with single fuel pump- -Not for Spider-
-	159786	1	CAVI PARTE POST. -Vale per J- -Vale fino ad esaurimento-	REAR CABLES -Valid for J- -Valid till stock exhaustion-
-	164875	1	CAVI PARTE POST. -Vale per J con doppia pompa benzina- -No per Spider- -Vale dopo esaurimento del 159786-	REAR CABLES -Valid for J with double fuel pump- -Not for Spider- -Valid after stock exhaustion of 159786-
-	166522	1	CAVI PARTE POST. -Vale per J con monopompa benzina- -No per Spider-	REAR CABLES -Valid for J with single fuel pump- -Not for Spider-

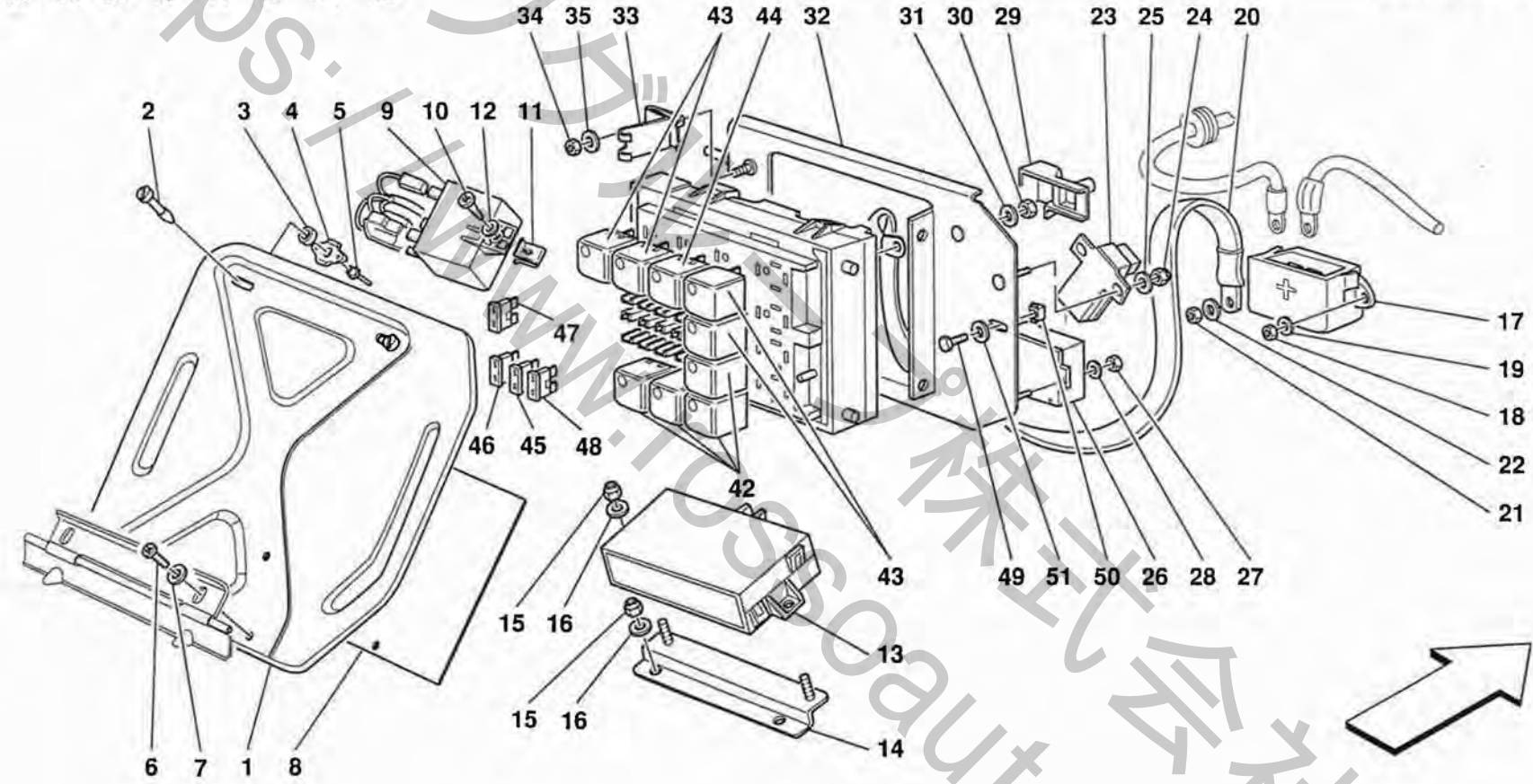
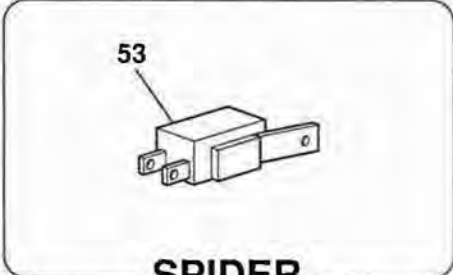
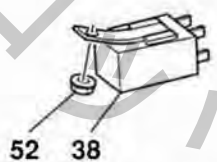
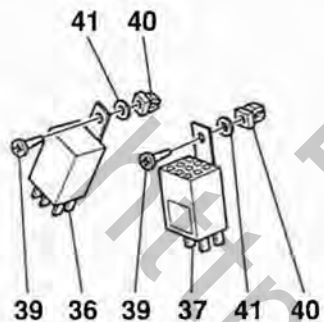


FB55

IMPIANTO ELETTRICO
ELECTRICAL SYSTEM

TAV. 140
DATA: GIUGNO '95

Rif	Dis.N° Part.N°	Q.ty	Denominazione	Description	Rif	Dis.N° Part.N°	Q.ty	Denominazione	Description
-	165623	1	CAVI PARTE POST. -Vale per J Spider con doppia pompa benzina-	REAR CABLES -Valid for J Spider with double fuel pump-	24	164366	1	PIASTRA FISS. SENSORE -Vale per SA-	SENSOR FIXING PLATE -Valid for SA-
-	166529	1	CAVI PARTE POST. -Vale per J Spider con monopompa benzina-	REAR CABLES -Valid for J Spider with single fuel pump-	25	15958077	2	VITE -Vale per SA-	SCREW -Valid for SA-
12	161477	1	CAVI COLLEG. PLAFONIERA TETTO E LUNOTTO TERMICO -No per Spider-	ROOF LIGHT AND REAR WINDOW DEFROSTER CONNECTING CABLES -Not for Spider-	26	12642807	2	ROSETTA -Vale per SA-	WASHER -Valid for SA-
13	152187	1	CAVI COLLEG. SERVIZI MOTORE	CONNECTION CABLES FOR MOTOR UTILITIES	27	14202782	2	BLOCCHETTO -Vale per SA-	BLOCK -Valid for SA-
14	162359	1	CAVI COLLEG. BANCATA SX. -No per USA e CH-	L.H. SIDE ENGINE CONNECTING CABLE -Not for USA and CH-	28	102741	2	DADO -Vale per SA-	NUT -Valid for SA-
-	162999	1	CAVI COLLEG. BANCATA SX. -Vale per USA e CH-	L.H. SIDE ENGINE CONNECTING CABLE -Valid for USA and CH-	29	10519424	2	ROSETTA -Vale per SA-	WASHER -Valid for SA-
15	162358	1	CAVI COLLEG. BANCATA DX. -No per USA e CH-	R.H. SIDE ENGINE CONNECTING CABLE -Not for USA and CH-	30	—	1	CAVI IMPIANTO AIR-BAG -Vedi Tav. 134-	AIR-BAG DEVICE CABLES -See Table 134-
-	162998	1	CAVI COLLEG. BANCATA DX. -Vale per USA e CH-	R.H. SIDE ENGINE CONNECTING CABLE -Valid for USA and CH-	31	163071	1	CAVI COLLEG. LUCI DIURNE -Vale per CDN-	DIURNAL LIGHTS CONNECTING CABLES -Valid for CDN-
16	154758	1	GUARNIZIONE	GASKET	32	158277	1	GUARNIZIONE	GASKET
17	160570	1	PROTEZIONE CAVI DX.	R.H. CABLES PROTECTION	33	160888	1	MOLLETTA	CLIP
18	160571	1	PROTEZIONE CAVI SX.	L.H. CABLES PROTECTION	34	157793	1	GUARNIZIONE	GASKET
19	134041	4	DADO	NUT	35	138910	2	PASSACAVO	CABLE BUSHING
20	12601274	4	ROSETTA	WASHER	36	145812	4	MOLLETTA	CLIP
21	10519424	4	ROSETTA	WASHER	37	10396180	2	ANELLO PASSAFILO	CABLE GROMMET
22	138914	2	CAVI COLLEG. PROIETTORI -Vale per USA e CDN-	HEADLIGHTS CONNECTION CABLES -Valid for USA and CDN-	38	157606	2	PASSACAVO	CABLE BUSHING
23	146611	1	SENSORE TACHIMETRICO CON CICALINO -Vale per SA-	TACHOMETRIC SENSOR WITH BUZZER -Valid for SA-	39	139628	2	MOLLETTA	CLIP
					40	154306	1	CAVI COLLEG. PREDISPOSIZIONE ANTIFURTO	ANTITHEFT PREARRANGEMENT CONNECTING CABLES
					41	159569	2	MOLLETTA	CLIP



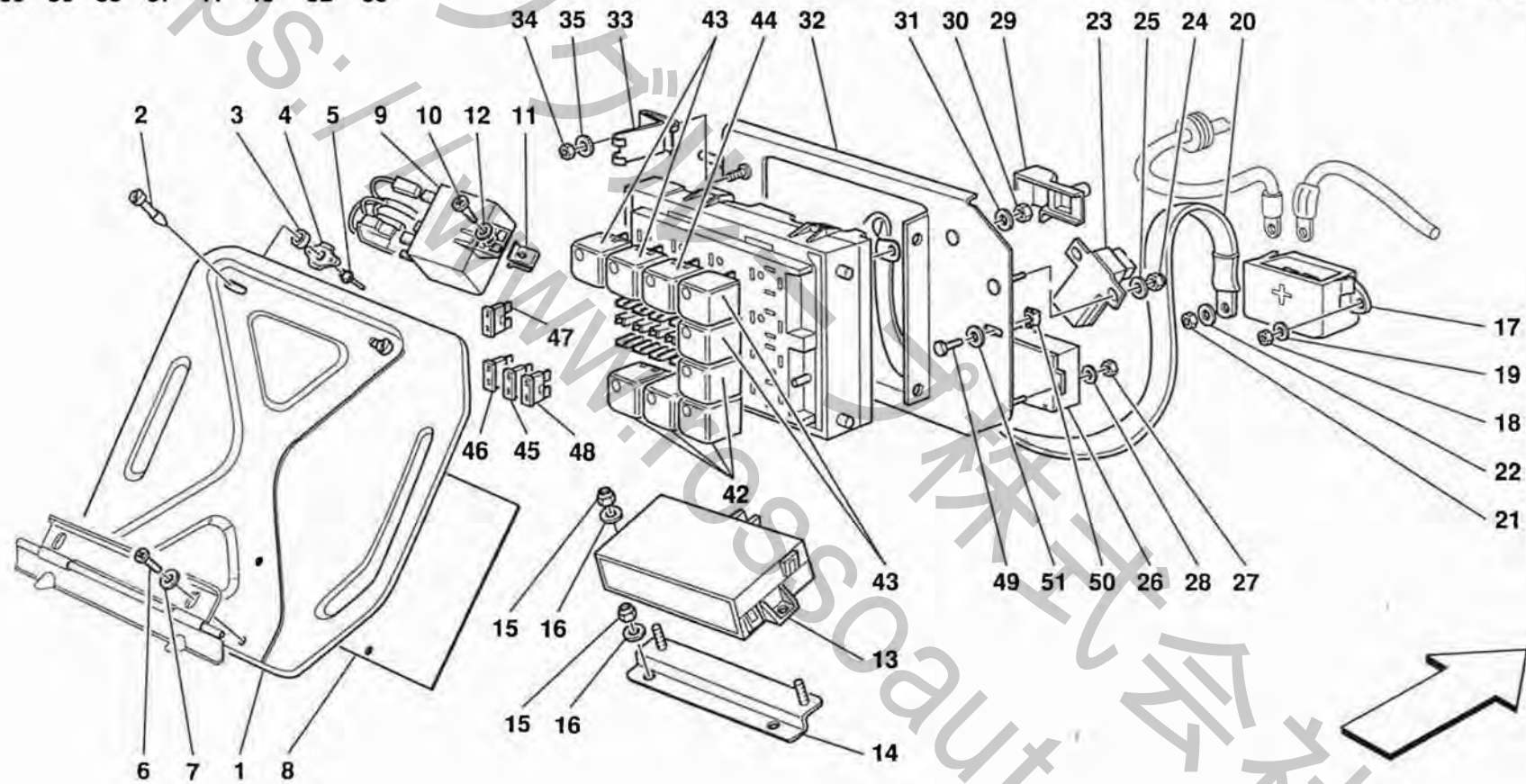
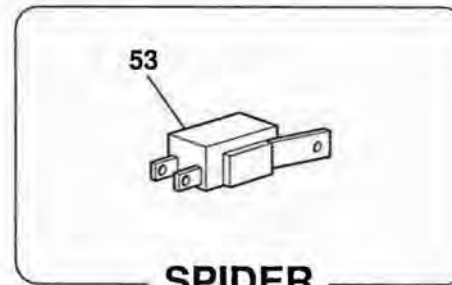
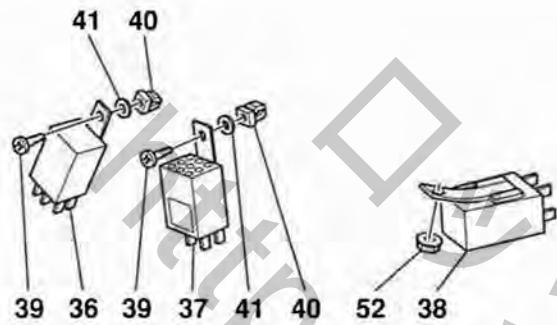
F355

CENTRALINE - ABITACOLO
ELECTRICAL BOARDS - PASSENGERS COMPARTMENT

TAV. 141
DATA: GIUGNO '95

Rif	Dis. N° Part. N°	Q.ty	Denominazione	Description
-	157116	1	CENTRALINA ELETTRICA PLANCIA	DASHBOARD ELECTRIC CONTROL STATION
1	62129900	1	APPOGGIAPIEDI PASSEGGERO -No per GD-	FOOT-REST FOR PASSENGER -Not for GD-
-	62174500	1	APPOGGIAPIEDI PASSEGGERO -Vale per GD-	FOOT-REST FOR PASSENGER -Valid for GD-
2	62538600	2	PERNO	PIN
3	61866900	2	GOMMINO	RUBBER
4	61867000	2	RICETTACOLO PER PERNO	CLIP FOR PIN
5	12838850	4	RIVETTO	RIVET
6	13276011	2	VITE	SCREW
7	12644424	2	ROSETTA	WASHER
8	157507	1	TARGHETTA IDENTIFICAZIONE RELAYS	RELAYS NAMEPLATE
-	160923	1	TARGHETTA IDENTIFICAZIONE RELAYS -No per GD-	RELAYS NAMEPLATE -Not for GD-
-	160923	1	TARGHETTA IDENTIFICAZIONE RELAYS -Vale per GD-	RELAYS NAMEPLATE -Valid for GD-
9	139522	1	CENTRALINA BLOCCAGGIO PORTE	DOORS LOCKING ELECTRIC UNIT
10	15687901	1	VITE	SCREW
11	61789700	1	STAFFETTA	BRACKET
12	12601174	1	ROSETTA	WASHER
13	157497	1	CENTRALINA ELETTRONICA COMANDO AMMORTIZZATORI	SHOCK ABSORBER CONTROL STATION
14	158721	1	STAFFA FISS. CENTRALINA	CONTROL UNIT FIXING BRACKET
15	12574211	4	DADO	NUT
16	10519424	4	ROSETTA	WASHER
17	153357	1	MORSETTIERA	TERMINAL BOX
18	12574011	2	DADO	NUT
19	10519224	2	ROSETTA	WASHER
20	157801	1	TRECCIA DI COLLEGAMENTO	CONNECTING PLAIT
21	101139	3	DADO	NUT
22	12601374	3	ROSETTA	WASHER
23	156086	1	CENTRALINA ESCLUSIONE ABS -No per USA, CDN e AUS-	ABS CUT-OUT CONTROL STATION -Not for USA, CDN and AUS-
24	12574011	2	DADO -No per USA, CDN e AUS-	NUT -Not for USA, CDN and AUS-
25	12642877	2	ROSETTA -No per USA, CDN e AUS-	WASHER -Not for USA, CDN and AUS-
26	63488400	1	CENTRALINA INDICATORE LIVELLO CARBURANTE	FUEL LEVEL INDICATOR CONTROL STATION

Rif	Dis. N° Part. N°	Q.ty	Denominazione	Description
27	61002200	2	DADO	NUT
28	62767100	2	ROSETTA	WASHER
29	160455	1	TAPPO DI PROTEZIONE	PROTECTION PLUG
30	102741	1	DADO	NUT
31	10519424	1	ROSETTA	WASHER
32	158719	1	STAFFA FISS. CENTRALINA -No per GD-	CONTROL UNIT FIXING BRACKET -Not for GD-
-	166898	1	STAFFA FISS. CENTRALINA -Vale fino ad esaurimento-	CONTROL UNIT FIXING BRACKET -Valid till stock exhaustion-
-	160925	1	STAFFA FISS. CENTRALINA -No per GD-	CONTROL UNIT FIXING BRACKET -Not for GD-
-	160925	1	STAFFA FISS. CENTRALINA -Vale dopo esaurimento del 158719-	CONTROL UNIT FIXING BRACKET -Valid after stock exhaustion of 158719-
33	62512200	2	MOLLA FISS. CENTRALINA ELETTRICA ANT.	FRONT ELECTRIC BOARD FIXING BRACKET
34	12574115	2	DADO	NUT
35	14496324	2	ROSETTA	WASHER
36	158019	1	INTERMITTENZA LUCI DIREZIONE-EMERGENZA -No per USA, CDN e J-	DIRECTION-EMERGENCY LIGHTS RELAY -Not for USA, CDN and J-
-	164369	1	INTERMITTENZA LUCI DIREZIONE-EMERGENZA -Vale per USA, CDN e J-	DIRECTION-EMERGENCY LIGHTS RELAY -Valid for USA, CDN and J-
37	157498	1	RIPETITORE ACUSTICO LUCI DIREZIONE	DIRECTION LIGHTS ACOUSTIC REPEATER
38	137667	1	SEGNALATORE CONTROLLO SPIA FRENI -No per USA, CDN e J-	BRAKES WARNING LIGHT CONTROL SIGNALLER -Not for USA, CDN and J-
-	61830700	1	CENTRALINA SPIA CINTURE DI SICUREZZA, FRENI E CICALINO PORTA APERTA -Vale per USA, CDN e J-	SAFETY BELTS, BRAKES AND OPEN DOOR BUZZER WARNINGS CONTROL UNIT -Valid for USA, CDN and J-
39	15688101	2	VITE	SCREW
40	14201980	2	BLOCCHETTO	BLOCK
41	10519424	2	ROSETTA	WASHER
42	157991	4	TELERUTTORE INTERRUTTORE	SWITCH RELAY
43	139361	4	TELERUTTORE IMPIANTO INIEZIONE	INJECTION DEVICE RELAY
44	157802	1	TELERUTTORE DOPPIO INTERRUTTORE	DOUBLE SWITCH RELAY
45	125241	8	FUSIBILE 10 A.	FUSE 10 A.



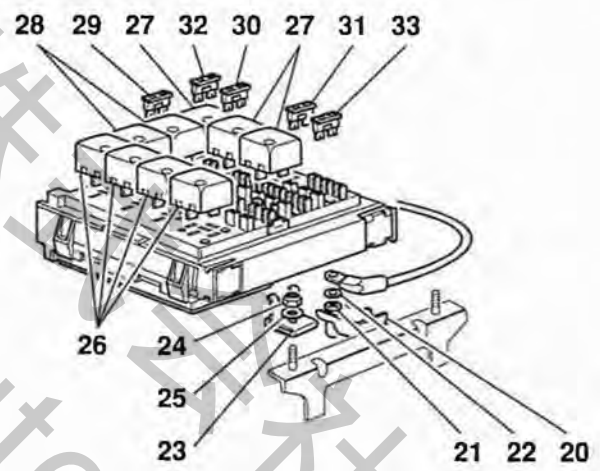
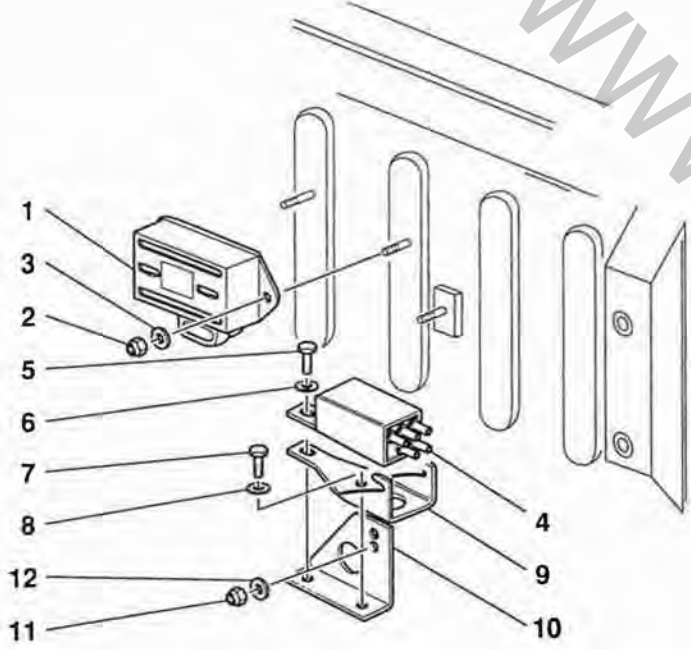
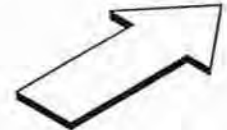
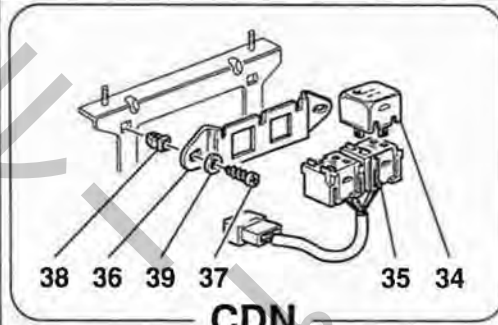
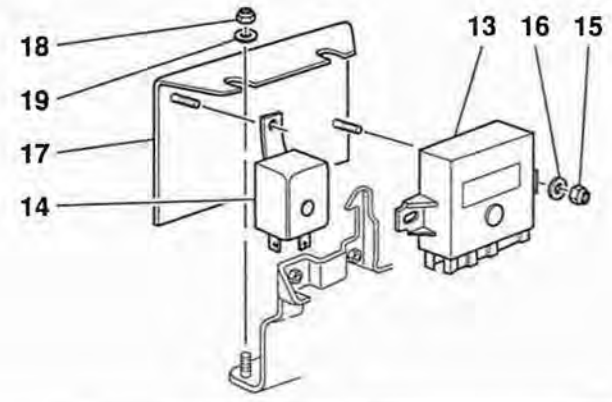
F355

CENTRALINE - ABITACOLO
ELECTRICAL BOARDS - PASSENGERS COMPARTMENT

TAV. 141
DATA: GIUGNO '95

<i>Rif</i>	<i>Dis.N° Part.N°</i>	<i>Q.ty</i>	<i>Denominazione</i>	<i>Description</i>	<i>Rif</i>	<i>Dis.N° Part.N°</i>	<i>Q.ty</i>	<i>Denominazione</i>	<i>Description</i>
46	125242	8	FUSIBILE 15 A.	FUSE 15 A.	51	12637824	1	ROSETTA	WASHER
47	125243	3	FUSIBILE 20 A.	FUSE 20 A.	52	13832101	1	DADO	NUT
48	131941	3	FUSIBILE 30 A.	FUSE 30 A.	53	137666	1	CICALINO MOVIMENTAZIONE	TOP MOVEMENT
49	10977624	1	VITE	SCREW				CAPOTE	BUZZER
50	62923900	1	DADO CON GABBIA	NUT WITH CAGE				-Vale per Spider-	-Valid for Spider-

<https://www.rossoauto.com>



F355

CENTRALINE E DISPOSITIVI ELETTRICI - PARTE ANTERIORE
ELECTRICAL BOARDS AND DEVICES - FRONT PART

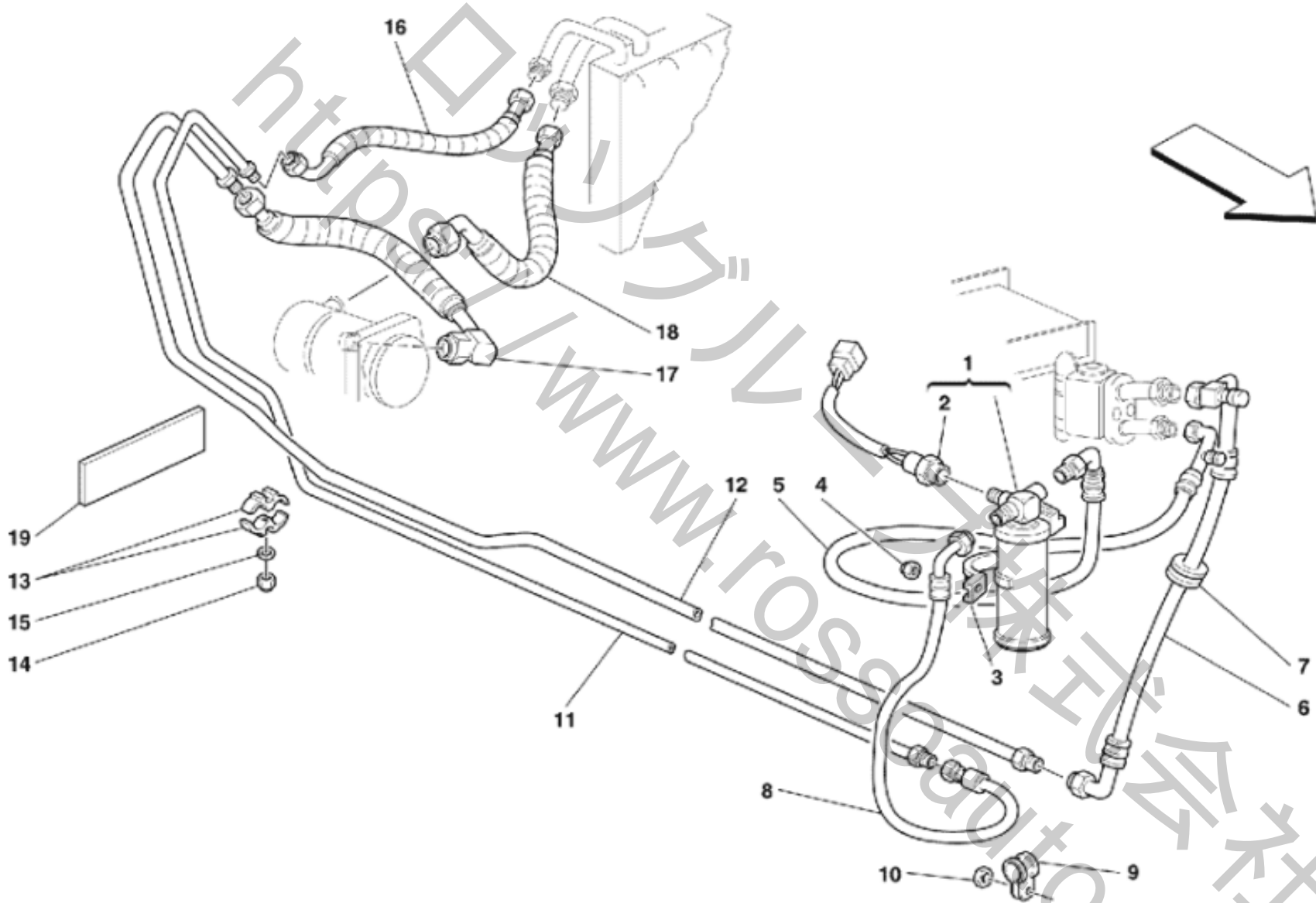
TAV. 142
DATA: GIUGNO '95

Rif	Dis. Part.N°	Q.ty	Denominazione	Description	Rif	Dis.N° Part.N°	Q.ty	Denominazione	Description
-	156998	1	CENTRALINA ELETTRICA ANT. -No per USA-	FRONT ELECTRIC CONTROL STATION -Not for USA-	23	62512200	2	MOLLA FISS. CENTRALINA ELETTRICA ANT.	FRONT ELECTRIC BOARD FIXING BRACKET
-	159635	1	CENTRALINA ELETTRICA ANT. -Vale per USA-	FRONT ELECTRIC CONTROL STATION -Valid for USA-	24	12574115	2	DADO	NUT
1	154310	1	ACCELEROMETRO FILTRATO	FILTRFD ACCELEROMETER	25	14496324	2	ROSETTA	WASHER
2	12574115	2	DADO	NUT	26	157992	4	TELERUTTORE DEVIATORE	SWITCH RELAY
3	14496324	2	ROSETTA	WASHER	27	157991	3	TELERUTTORE INTERRUPTORE -Per USA q.ta' 4-	SWITCH RELAY -For USA q.ty 4-
4	137836	1	SENSORE ACCELERAZIONE	ACCELERATION SENSOR	28	157802	2	TELERUTTORE DOPPIO INTERRUPTORE -Per USA q.ta' 1-	DOUBLE SWITCH RELAY -For USA q.ty 1-
5	10902011	1	VITE	SCREW	29	125240	7	FUSIBILE 7,5 A.	FUSE 7,5 A.
6	12639724	1	ROSETTA	WASHER	30	125241	9	FUSIBILE 10 A.	FUSE 10 A.
7	10977524	1	VITE	SCREW	31	125242	4	FUSIBILE 15 A.	FUSE 15 A.
8	12637824	1	ROSETTA	WASHER	32	125243	2	FUSIBILE 20 A.	FUSE 20 A.
9	138799	1	SUPPORTO SENSORE	SENSOR SUPPORT	33	126031	2	FUSIBILE 25 A.	FUSE 25 A.
10	158728	1	STAFFA	BRACKET	34	157992	2	TELERUTTORE -Vale per CDN-	RELAY -Valid for CDN-
11	12574211	1	DADO	NUT	35		1	CAVI COLLEG. LUCI DIURNE -Vale per CDN-	DIURNAL LIGHTS CONNECTING CABLES -Valid for CDN-
12	10519424	1	ROSETTA	WASHER				-Vedi Tav. 140-	-See Table 140-
13	153095	1	INTERMETTITORE MOTORINO TERGICRISTALLO	WINDSHIELD WIPER MOTOR INTERMITTER	36	137669	1	STAFFA -Vale per CDN-	BRACKET -Valid for CDN-
14	153119	1	TEMPORIZZATORE LUCI INTERNE	INNER LIGHTS TIMER	37	15643978	2	VITE -Vale per CDN-	SCREW -Valid for CDN-
15	12574115	3	DADO	NUT	38	14201980	2	BLOCCETTO -Vale per CDN-	BLOCK -Valid for CDN-
16	14496324	3	ROSETTA	WASHER	39	12638177	2	ROSETTA -Vale per CDN-	WASHER -Valid for CDN-
17	158720	1	STAFFA -No per GD-	BRACKET -Not for GD-					
-	161125	1	STAFFA -Vale per GD-	BRACKET -Valid for GD-					
18	12574211	2	DADO	NUT					
19	10519424	2	ROSETTA	WASHER					
20	140180	1	TAPPO DI PROTEZIONE	PROTECTION PLUG					
21	102741	1	DADO	NUT					
22	10519424	1	ROSETTA	WASHER					

Rif	Dis.N° Part.N°	Q.ty	Denominazione	Description
1	64256200	1	GRUPPO EVAPORATORE COMPLETO -No per GD- -Vale fino ad esaurimento-	COMPLETE EVAPORATOR SET -Not for GD- -Valid till stock exhaustion-
-	64645900	1	GRUPPO EVAPORATORE COMPLETO -No per GD- -Vale dopo esaurimento del 64256200-	COMPLETE EVAPORATOR SET -Not for GD- -Valid after stock exhaustion of 64256200-
-	64646000	1	GRUPPO EVAPORATORE COMPLETO -Vale per GD-	COMPLETE EVAPORATOR SET -Valid for GD-
2	63307200	1	GRUPPO DI POTENZA	POWER UNIT
3	64256300	1	VALVOLA DI ESPANSIONE	EXPANSION VALVE
4	61787900	1	POMPA	PUMP
5	63306400	1	RUBINETTO COMPL. DI STAFFA	COCK WITH BRACKET
6	63306900	1	SENSORE ENTRATA ARIA	AIR INTAKE SENSOR
7	63306700	1	ATTUATORE PORTELLO	LID ACTUATOR
8	62341000	1	SENSORE TEMPERATURA EVAPORATORE	EVAPORATOR TEMPERATURE SENSOR
9	63306600	1	MOLLETTA RITEGNO SENSORE	SENSOR RETAINING CLIP
10	152312	1	ASSIEME CAVI GRUPPO CLIMATIZZATORE	AIR CONDITIONING CABLES ASSEMBLY
11	63306800	2	MICROTELERUTTORE	MICRORELAY
12	63307100	1	ATTUATORE DISTRIBUZIONE	TIMING ACTUATOR
13	63307000	1	SENSORE ARIA TRATTATA	TREATED AIR SENSOR
14	64320000	1	BOCCHETTA CENTRALE	CENTRAL OPENING
15	64046400	1	DIFFUSORE ARIA -No per GD-	AIR DIFFUSER -Not for GD-
-	62189500	1	DIFFUSORE ARIA -Vale per GD-	AIR DIFFUSER -Valid for GD-
16	62188100	1	GUARNIZIONE	GASKET
17	64320100	1	BOCCHETTA LATERALE DX.	R.H. AIR OUTLET
-	64320200	1	BOCCHETTA LATERALE SX.	L.H. AIR OUTLET
18	62188200	1	GUARNIZIONE TUBO/BOCCHETTA DX.	R.H. PIPE/DIFFUSER GASKET
19	62188300	1	GUARNIZIONE TUBO/BOCCHETTA SX.	L.H. PIPE/DIFFUSER GASKET
20	12644424	2	ROSETTA	WASHER
21	106850	2	ROSETTA	WASHER
22	10902011	2	VITE	SCREW
23	63963100	1	TUBO MANDATA ARIA DX. -No per GD-	R.H. AIR DELIVERY TUBE -Not for GD-

Rif	Dis.N° Part.N°	Q.ty	Denominazione	Description
-	62189600	1	TUBO MANDATA ARIA DX. -Vale per GD-	R.H. AIR DELIVERY TUBE -Valid for GD-
24	62679200	1	GUARNIZIONE TUBO DX./ DIFFUSORE ARIA	R.H. TUBE /AIR DIFFUSER GASKET
25	62679000	1	GUARNIZIONE TUBO SX./ DIFFUSORE ARIA	L.H. TUBE/AIR DIFFUSER GASKET
26	63963200	1	TUBO MANDATA ARIA SX. -No per GD-	L.H. AIR DELIVERY TUBE -Not for GD-
-	62189700	1	TUBO MANDATA ARIA SX. -Vale per GD-	L.H. AIR DELIVERY TUBE -Valid for GD-
27	14201980	6	BLOCCHETTO	BLOCK
28	12638124	6	ROSETTA	WASHER
29	15688101	6	VITE	SCREW
30	63562900	1	TUBO EVAPORATORE/NOURICE	EVAPORATOR/TANK PIPE
31	63563000	1	TUBO POMPA ACQUA/POMPA EVAPORATORE	WATER PUMP/EVAPORATOR PUMP PIPE
32	13000390	8	COLLARE A VITE	SCREW COLLAR
33	10398780	2	ANELLO PASSAFILO -No per GD-	CABLE GROMMET -Not for GD-
-	60679700	1	GUARNIZIONE -Vale per GD-	GASKET -Valid for GD-
34	62928200	1	GUARNIZIONE SEDE TAMBURO	TAMBOUR SEAT GASKET
35	62656000	1	SOFFIETTO SCARICO CONDENSA	BELLOWS FOR CONDENSATE VENT
36	62658800	8	MOLLETTA	CLIP
37	12574211	4	DADO	NUT
38	62659400	1	TUBO GOMMA -No per GD-	RUBBER PIPE -Not for GD-
-	64495100	1	TUBO GOMMA -Vale per GD-	RUBBER PIPE -Valid for GD-
39	63306300	1	TUBO DA POMPA A EVAPORATORE	PIPE FROM PUMP TO EVAPORATOR
40	63311700	1	TUBO DA EVAPORATORE A RUBINETTO	PIPE FROM EVAPORATOR TO COCK
41	64536500	1	TUBO GOMMA -No per GD-	RUBBER PIPE -Not for GD-
-	64536900	1	TUBO GOMMA -Vale per GD-	RUBBER PIPE -Valid for GD-
42	62928000	1	GUARNIZIONE SUPERIORE	UPPER GASKET
43	62928100	2	GUARNIZIONE PROFILO TAMBURO	TAMBOUR PROFILE GASKET
44	63234200	3	VITE	SCREW

144 Air Conditioning System



144 Air Conditioning System

No.	Part No.	Name	Qty
1	63934300	DEHYDRATOR FILTER WITH PRESSURE SWITCH	1
2	64278900	PRESSOSTAT	1
3	62165800	BRACKET	1
4	102948	NUT	2
5	64461100	PIPE FROM CLEANER TO EVAPORATOR	1
5	62964800	PIPE FROM CLEANER TO EVAPORATOR	1
6	64461200	PIPE FROM EVAPORATOR TO UNDERFLOOR PIPE	1
6	62964900	PIPE FROM EVAPORATOR TO UNDERFLOOR PIPE	1
7	10398780	CABLE GROMMET	1
8	62964700	PIPE FROM UNDERFLOOR PIPE TO CLEANER	1
9	10441990	BRACKET WITH SHEATH	1
10	102948	NUT	1
11	63561500	DELIVERY UNDERFLOOR PIPE	1
12	63561600	RETURN UNDERFLOOR PIPE	1
12	64543600	RETURN UNDERFLOOR PIPE	1
13	64290100	CLIP	12
14	102948	NUT	6
15	12639724	WASHER	6
16	62964600	PIPE FROM CONDENSER TO UNDERFLOOR PIPE	1
17	62965000	PIPE FROM UNDERFLOOR PIPE TO COMPRESSOR	1
18	62964500	PIPE FROM COMPRESSOR TO CONDENSER	1
19	64827200	RUBBER THICKNESS	1