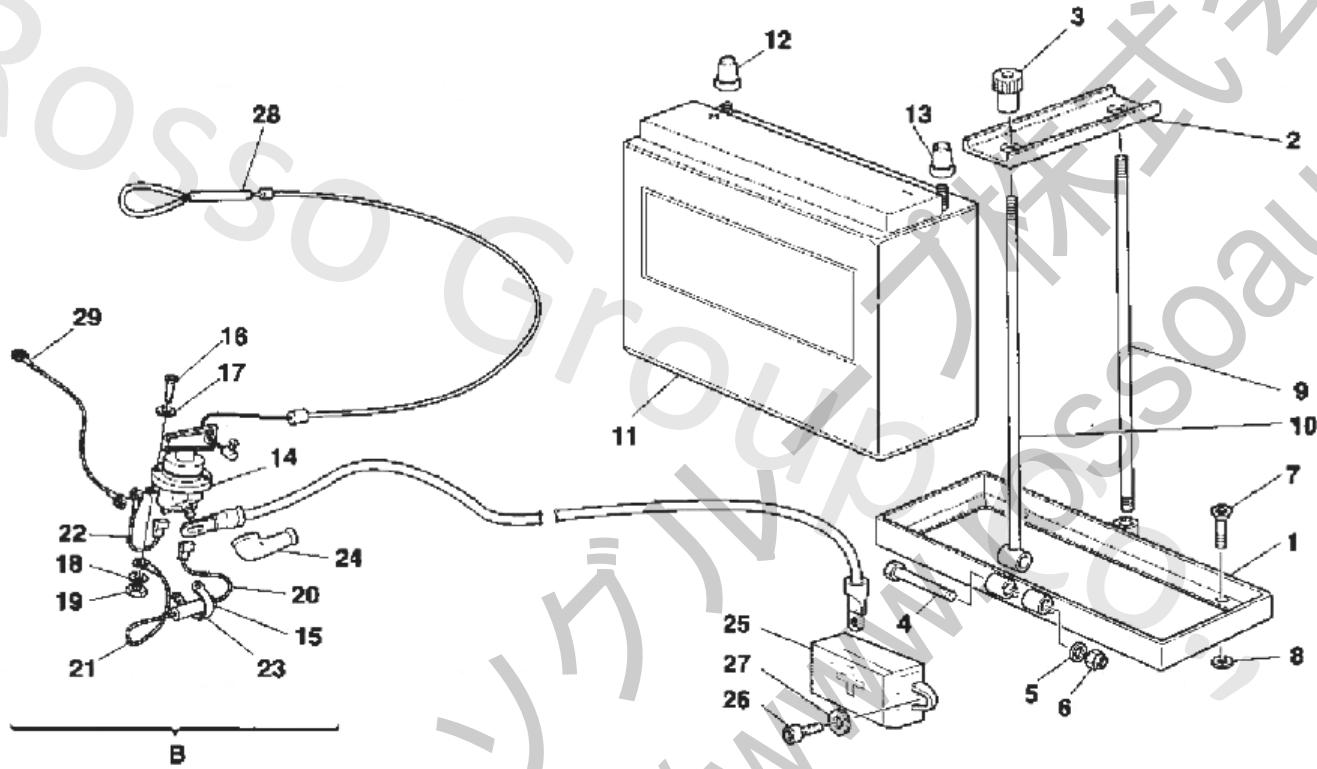


005 Battery & Battery Disconn.



005 Battery & Battery Disconn.

| No. | Part No. | Name | Qty |
|-----|----------|--|-----|
| 0 | 164714 | BATTERY SUPPORT KIT - A ON PICTURE - | 1 |
| 0 | 164784 | BATTERY DISCONNECTING SWITCH COMPLETE - B ON PICTURE - | 1 |
| 1 | 164738 | FRAME | 1 |
| 2 | 164750 | UPPER BRACKET | 1 |
| 3 | 146357 | RING NUT | 2 |
| 4 | 10903821 | SCREW | 1 |
| 5 | 14496401 | WASHER | 1 |
| 6 | 12575411 | NUT | 1 |
| 7 | 14440721 | SCREW | 4 |
| 8 | 12637801 | WASHER | 4 |
| 9 | 163374 | STUD BOLT | 1 |
| 10 | 163373 | STUD BOLT | 1 |
| 11 | 164713 | BATTERY | 1 |
| 11 | 164754 | BATTERY CONN, CABLE | 1 |
| 12 | 164751 | POSITIVE PIN | 1 |
| 13 | 164752 | NEGATIVE PIN | 1 |
| 14 | 145221 | BATTERY DISCONNECTING SWITCH | 1 |
| 15 | - | RESISTANCE | 1 |
| 16 | 161814 | SCREW | 4 |
| 17 | 11197774 | WASHER | 4 |
| 18 | 14496401 | WASHER | 1 |
| 19 | 12575411 | NUT | 1 |
| 20 | 147015 | CABLE | 1 |
| 21 | 147016 | CABLE | 1 |
| 22 | 147031 | CABLE | 1 |
| 23 | 10441390 | CLAMP | 1 |
| 24 | 124683 | RUBBER GUARD | 1 |
| 25 | 170114 | TERMINAL BOX | 1 |
| 26 | 15783501 | SCREW | 2 |
| 27 | 14496324 | WASHER | 2 |
| 28 | 147493 | OUTSIDE CABLE | 1 |
| 29 | 164753 | CABLE | 1 |