

LIST OF TABLES

- | | | | |
|-----------------|---|-----------------|--|
| Table 1 | - Engine - gearbox and supports | Table 32 | - Inside gearbox controls |
| Table 2 | - Crankcase | Table 33 | - Outside gearbox controls |
| Table 3 | - Crankshaft - Connecting rods and pistons | Table 34 | - Differential and axle shafts |
| Table 4 | - Flywheel and clutch housing spacer | Table 35 | - Brake hydraulic system (For car without Antiskid system) |
| Table 5 | - Cylinder head (Right) | Table 36 | - Brake hydraulic system (For car with Antiskid system) |
| Table 6 | - Cylinder head (Left) | Table 37 | - Hydraulic system for Antiskid |
| Table 7 | - Timing system - Tappets | Table 38 | - Brake system (For car without Antiskid system) |
| Table 8 | - Timing system - Controls | Table 39 | - Antiskid system |
| Table 9 | - Air injection (For US Version) | Table 40 | - Calipers for front and rear brakes |
| Table 10 | - Air injection (For CH Version) | Table 41 | - Hand - brake control |
| Table 11 | - Antieaporative emission control system (For US and SA Version) | Table 42 | - Steering box and linkage |
| Table 12 | - Fuel pump and pipes (Not for US Version) | Table 43 | - Steering column |
| Table 13 | - Fuel pump and pipes (For US Version) | Table 44 | - Front suspension - Shock absorber and brake disc |
| Table 14 | - Fuel distributors lines (Not for US and CH88 Version) | Table 45 | - Front suspension - Wishbones |
| Table 15 | - Fuel distributors lines (For US Version) | Table 46 | - Rear suspension - Shock absorber and brake disc |
| Table 16 | - Fuel distributors lines (For CH88 Version) | Table 47 | - Rear suspension - Wishbones |
| Table 17 | - Air intake and manifolds | Table 48 | - Wheels |
| Table 18 | - Throttle housing and linkage | Table 49 | - Engine ignition |
| Table 19 | - Exhaust system (Not for US and SA Version) | Table 50 | - Electric generation system |
| Table 20 | - Exhaust system (For US and SA Version) | Table 51 | - Air conditioning compressor and controls |
| Table 21 | - Blow - by system | Table 52 | - Tool - kit |
| Table 22 | - Lubrication system | | |
| Table 23 | - Cooling system | | |
| Table 24 | - Water pump and pipings | | |
| Table 25 | - Clutch and controls | | |
| Table 26 | - Clutch release control (For car without Antiskid system) | | |
| Table 27 | - Clutch release control (For car with Antiskid system) | | |
| Table 28 | - Gearbox transmission | | |
| Table 29 | - Gearbox - Differential housing and oil sump | | |
| Table 30 | - Main shaft gears | | |
| Table 31 | - Lay shaft gears | | |

VARIANTS FOR R.H.D. VERSION

- | | |
|-----------------|--|
| Table 53 | - Pedal board - Clutch control (For car without Antiskid system) |
| Table 54 | - Pedal board - Clutch control (For car with Antiskid system) |
| Table 55 | - Throttle control and brake hydraulic system (For car without Antiskid system) |
| Table 56 | - Throttle control and brake hydraulic system (For car with Antiskid system) |

ELENCO DELLE TAVOLE

- Tav. 101 - Scocca elementi esterni
 Tav. 102 - Scocca elementi interni senza antiskid
 Tav. 103 - Scocca elementi interni con antiskid
 Tav. 104 - Scocca elementi interni -
 3.2 Mondial Coupé
 Tav. 105 - Scocca elementi interni - Cabriolet
 Tav. 106 - Isolamento baule ed abitacolo -
 3.2 Mondial Coupé - Escluso USA - SA -
 AUS - CH87 - CH88
 Tav. 107 - Isolamento baule ed abitacolo -
 3.2 Mondial Coupé
 USA - SA - AUS - CH87 - CH88
 Tav. 108 - Isolamento baule ed abitacolo - Cabriolet
 Escluso USA - SA
 Tav. 109 - Isolamento baule ed abitacolo - Cabriolet
 Tav. 110 - Cofano anteriore
 Tav. 111 - Cofano motore
 Tav. 112 - Cofano vano bagagli e tappezzeria
 Tav. 113 - Porte - 3.2 Mondial Coupé
 Tav. 114 - Porte - Cabriolet
 Tav. 115 - Paraurti e modanature
 Tav. 116 - Cristalli
 Tav. 117 - Sedili - 3.2 Mondial Coupé
 Tav. 118 - Sedili - Cabriolet
 Tav. 119 - Padiglione, tunnel e cinture -
 3.2 Mondial Coupé
 Tav. 120 - Padiglione, tunnel e cinture - Cabriolet
 Tav. 121 - Plancia
 Tav. 122 - Strumenti
 Tav. 123 - Dispositivo alzariferi e proiettori
 Tav. 124 - Tergicristallo e trombe
 Tav. 125 - Impianto elettrico
 Tav. 126 - Centralina elettrica
 Tav. 127 - Centraline elettriche secondarie -
 Escluso CH88
 Tav. 128 - Centraline elettriche secondarie -
 Per CH88
 Tav. 129 - Gruppo riscaldatore
 Tav. 130 - Tetto apribile - 3.2 Mondial Coupé
 Tav. 131 - Capote - Cabriolet

LISTE DES TABLES

- Tab. 101 - Coque éléments extérieurs
 Tab. 102 - Coque éléments intérieurs sans antiskid
 Tab. 103 - Coque éléments intérieurs avec antiskid
 Tab. 104 - Coque éléments intérieurs -
 3.2 Mondial Coupé
 Tab. 105 - Coque éléments intérieurs - Cabriolet
 Tab. 106 - Isolation coffre à bagages et habitacle -
 3.2 Mondial Coupé - Exclue USA - SA -
 AUS - CH87 - CH88
 Tab. 107 - Isolation coffre à bagages et habitacle -
 3.2 Mondial Coupé
 USA - SA - AUS - CH87 - CH88
 Tab. 108 - Isolation coffre à bagages et habitacle -
 Cabriolet - Exclue USA - SA
 Tab. 109 - Isolation coffre à bagages et habitacle -
 Cabriolet
 Tab. 110 - Coffre avant
 Tab. 111 - Capot de moteur
 Tab. 112 - Couvercle de coffre à bagages et tapis
 Tab. 113 - Portes - 3.2 Mondial Coupé
 Tab. 114 - Portes - Cabriolet
 Tab. 115 - Para - chocs et moulures
 Tab. 116 - Brises
 Tab. 117 - Sièges - 3.2 Mondial Coupé
 Tab. 118 - Sièges - Cabriolet
 Tab. 119 - Pavillon, tunnel et ceintures de sécurité -
 3.2 Mondial Coupé
 Tab. 120 - Pavillon, tunnel et ceintures de sécurité -
 Cabriolet
 Tab. 121 - Tableau de bord
 Tab. 122 - Instruments
 Tab. 123 - Dispositif lève-phares et projecteurs
 Tab. 124 - Lave glace et avertisseurs sonores
 Tab. 125 - Installation électrique
 Tab. 126 - Tableau équipement électrique
 Tab. 127 - Tableau secondaire équipement
 électrique - excl. CH88
 Tab. 128 - Tableau secondaire équipement
 électrique - per CH88
 Tab. 129 - Appareil de chauffage
 Tab. 130 - Toit coulissant - 3.2 Mondial Coupé
 Tab. 131 - Capote - Cabriolet

LIST OF TABLES

- Tab. 101 - Body shell - Outer elements
 Tab. 102 - Body shell - Inner elements
 without antiskid
 Tab. 103 - Body shell - Inner elements with antiskid
 Tab. 104 - Body shell - Inner elements -
 3.2 Mondial Coupé
 Tab. 105 - Body shell - Inner elements - Cabriolet
 Tab. 106 - Luggage and passenger compart.
 insulation - 3.2 Mondial Coupé - USA -
 SA - AUS - CH87 - CH88 excluded
 Tab. 107 - Luggage and passenger compart.
 insulation - 3.2 Mondial Coupé
 USA - SA - AUS - CH87 - CH88
 Tab. 108 - Luggage and passenger compart.
 insulation - Cabriolet -
 USA - SA excluded
 Tab. 109 - Luggage and passenger compart.
 insulation - Cabriolet
 Tab. 110 - Front compartment lid
 Tab. 111 - Engine compartment and carpeting
 Tab. 112 - Luggage compartment lid
 Tab. 113 - Doors - 3.2 Mondial Coupé
 Tab. 114 - Doors - Cabriolet
 Tab. 115 - Bumpers and mouldings
 Tab. 116 - Glasses
 Tab. 117 - Seats - 3.2 Mondial Coupé
 Tab. 118 - Seats - Cabriolet
 Tab. 119 - Roof, tunnel and safety belts -
 3.2 Mondial Coupé
 Tab. 120 - Roof, tunnel and safety belts - Cabriolet
 Tab. 121 - Instruments panel
 Tab. 122 - Instruments
 Tab. 123 - Headlights lifting device and headlights
 Tab. 124 - Windshield wiper and horns
 Tab. 125 - Electrical system
 Tab. 126 - Electrical boards
 Tab. 127 - Secondary electrical boards -
 CH88 excluded
 Tab. 128 - Secondary electrical boards - for CH88
 Tab. 129 - Heating system
 Tab. 130 - Sun roof - 3.2 Mondial Coupé
 Tab. 131 - Top - Cabriolet

ABBREVIAZIONI

| | | |
|-------------|---|----------------------------------|
| GS | — | Vetture guida sinistra |
| GD | — | Vetture guida destra |
| US | — | Versione USA |
| CH | — | Versione Svizzera |
| C6 | — | Versione Svizzera fino 1986 |
| C7 | — | Versione Svizzera 1987 |
| C8 | — | Versione Svizzera e Austria 1988 |
| SA | — | Versione Arabia Saudita |
| I | — | Vetture Italia |
| F | — | Vetture Francia |
| D | — | Vetture Germania |
| GB | — | Vetture Regno Unito |
| ZA | — | Vetture Sud Africa |
| J | — | Vetture Giappone |
| AUS | — | Vetture Australia |
| CDN | — | Vetture Canada |
| (A) | — | Vetture con impianto Antiskid |
| (B) | — | Vetture senza impianto Antiskid |
| (1A) | — | Coupé con Antiskid |
| (1B) | — | Coupé senza Antiskid |
| (2A) | — | Cabriolet con Antiskid |
| (2B) | — | Cabriolet senza Antiskid |
| (1) | — | Coupé |
| (2) | — | Cabriolet |

Per le parti meccaniche, quando non specificato diversamente, le versioni CDN, AUS e J si intendono uguali alla versione USA.

ABBREVIATIONS

| | | |
|-------------|---|-----------------------------------|
| GS | — | L.H.D. |
| GD | — | R.H.D. |
| US | — | US Version |
| CH | — | For Switzerland |
| C6 | — | For Switzerland up to M.Y. 1986 |
| C7 | — | For Switzerland M.Y. 1987 |
| C8 | — | For Switz. and Austrian M.Y. 1988 |
| SA | — | For Saudi Arabia |
| I | — | Italian veichles only |
| F | — | French veichles only |
| D | — | German veichles only |
| GB | — | British veichles only |
| ZA | — | South African veichles only |
| J | — | Japanese veichles only |
| AUS | — | Australian veichles only |
| CDN | — | Canadian veichles only |
| (A) | — | Vehicles with Antiskid |
| (B) | — | Vehicles without Antiskid |
| (1A) | — | Coupé with Antiskid |
| (1B) | — | Coupé without Antiskid |
| (2A) | — | Cabriolet with Antiskid |
| (2B) | — | Cabriolet without Antiskid |
| (1) | — | Coupé |
| (2) | — | Cabriolet |

For the mechanical parts if non otherwise specified CDN, AUS, J versions shall be considered identical to US version.

ABBREVIATIONS

| | | |
|-------------|---|----------------------------------|
| GS | — | Conduite à gauche |
| GD | — | Conduite à droite |
| US | — | Version USA |
| CH | — | Version Suisse |
| C6 | — | Version Suisse jusqu'en 1986 |
| C7 | — | Version Suisse 1987 |
| C8 | — | Version Suisse et Autrichie 1988 |
| SA | — | Version Arabie |
| I | — | Version Italie |
| F | — | Version France |
| D | — | Version Allemagne |
| GB | — | Version U.K. |
| ZA | — | Version Africa du Sud |
| J | — | Version Japon |
| AUS | — | Version Australie |
| CDN | — | Version Canada |
| (A) | — | Véhicules avec Antiskid |
| (B) | — | Véhicules sans Antiskid |
| (1A) | — | Coupé avec Antiskid |
| (1B) | — | Coupé sans Antiskid |
| (2A) | — | Cabriolet avec Antiskid |
| (2B) | — | Cabriolet sans Antiskid |
| (1) | — | Coupé |
| (2) | — | Cabriolet |

Pour les pièces mécaniques sauf autres spécifications, les versions CDN, AUS, J sont les mêmes que la version USA.

ABKÜRZUNGEN

| | | |
|-------------|---|--|
| GS | — | Linkslenkung |
| GD | — | Rechtslenkung |
| US | — | USA Ausführung |
| CH | — | Schweizer Ausführung |
| C6 | — | Schweizer Ausführung bis 1986 |
| C7 | — | Schweizer Ausführung 1987 |
| C8 | — | Schweizer und Österreich Ausführung 1988 |
| SA | — | Arabien Ausführung |
| I | — | Ausführung Italien |
| F | — | Ausführung Frankreich |
| D | — | Ausführung Deutschland |
| GB | — | Ausführung G.B. |
| ZA | — | Ausführung Süd Afrika |
| J | — | Ausführung Japan |
| AUS | — | Ausführung Australien |
| CDN | — | Ausführung Kanada |
| (A) | — | Fahrzeuge mit Antiskid |
| (B) | — | Fahrzeuge ohne Antiskid |
| (1A) | — | Coupé mit Antiskid |
| (1B) | — | Coupé ohne Antiskid |
| (2A) | — | Cabriolet mit Antiskid |
| (2B) | — | Cabriolet ohne Antiskid |
| (1) | — | Coupé |
| (2) | — | Cabriolet |

Für mechanische Teile, wenn nicht anders spezifiziert die CDN, AUS, J Ausführungen sind mit USA Ausführung gleich.

AVVERTENZA

Per l'ordinazione di parti rivestite o tappeti, fornibili in diversi colori, procedere come di seguito descritto:

1) PARTI RIVESTITE IN PELLE

Utilizzare il N° di disegno del particolare ricavato dal presente catalogo specificando il codice della pelle come riportato nell'apposita mazzetta.

| | |
|---------------------------|---------|
| Pelle color crema | VM 3997 |
| Pelle color beige | VM 3234 |
| Pelle color naturale | VM 3218 |
| Pelle color cuoio | VM 846 |
| Pelle color testa di moro | VM 890 |
| Pelle color bianco | VM 100 |
| Pelle color rosso | VM 3171 |
| Pelle color nero | VM 8500 |
| Pelle color blu | VM 3282 |
| Pelle color blu nuvola | VM 3015 |

TAPPETI

Utilizzare il N° di disegno del particolare ricavato dal presente catalogo sostituendo le 2 cifre finali (00) con le seguenti coppie di numeri:

- 90 per tappeti neri
- 91 per tappeti rossi
- 93 per tappeti testa di moro
- 94 per tappeti blu
- 96 per tappeti castoro

NOTE

For orders of upholstery or carpets, available in different colors, proceed as follows:

1) UPHOLSTERY WITH LEATHER

Indicate the p.n. of the part taken from this catalogue and specify the color code of the eather, as shown by proper samples.

| | |
|--------------------|---------|
| Leather cream | VM 3997 |
| Leather beige | VM 3234 |
| Leather natural | VM 3218 |
| Leather cuoio | VM 846 |
| Leather dark brown | VM 890 |
| Leather white | VM 100 |
| Leather red | VM 3171 |
| Leather black | VM 8500 |
| Leather blue | VM 3282 |
| Leather light blue | VM 3015 |

CARPETS

Indicate the p. n. of the part taken from this catalogue and replace the last 2 digits (00) with the numbers listed below:

- 90 for carpets black
- 91 for carpets red
- 93 for carpets dark brown
- 94 for carpets blue
- 96 for carpets beaver

NOTE

Pour commander des pièces revêtues ou tapis, qui peuvent être fournies de couleurs différentes, procéder comme suit:

1) PIÈCES REVÊTUES

Utiliser le N° de dessin de la pièce repris dans ce catalogue en spécifiant le code de la peau qui est reporté dans les échantillons.

| | |
|---------------------------|---------|
| Peau couleur crème | VM 3997 |
| Peau couleur beige | VM 3234 |
| Peau couleur naturelle | VM 3218 |
| Peau couleur cuir | VM 846 |
| Peau couleur brun foncé | VM 890 |
| Peau couleur blanche | VM 100 |
| Peau couleur rouge | VM 3171 |
| Peau couleur noir | VM 8500 |
| Peau couleur bleue | VM 3282 |
| Peau couleur bleue claire | VM 3015 |

TAPIS

Indiquer le N° de dessin de la pièce reporté dans ce catalogue en remplaçant les 2 derniers chiffres (00) avec les numéros suivants:

- 90 pour tapis noirs
- 91 pour tapis rouges
- 93 pour tapis bruns foncés
- 94 pour tapis bleus
- 96 pour tapis bruns clairs

ANMERKUNG

Um Ausstattungssteile oder Teppiche, welche in verschieden Farben ausgeliefert werden, bitte wie folgendes verfahren:

1) TEILE, DIE MIT LEDER BEZOGEN SIND

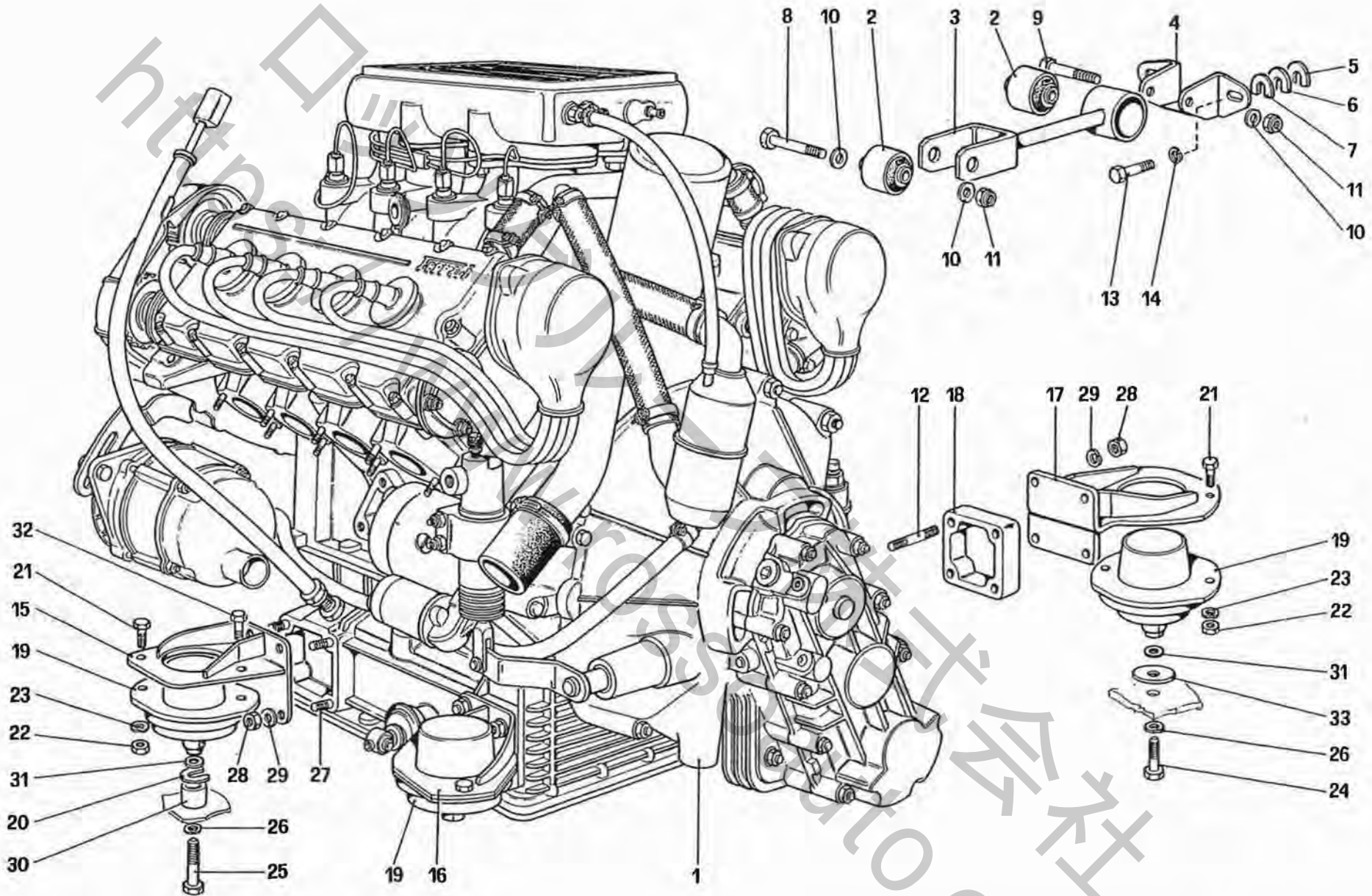
Die E.T. Nummer verwenden, die in diesem Katalog erscheinen, und dazu die Coden für Leder Spezifizieren, die auf dem Ledermuster angegeben sind.

| | |
|--------------------|---------|
| Leder Crème | VM 3997 |
| Leder beige | VM 3234 |
| Leder naturell | VM 3218 |
| Leder | VM 846 |
| Leder dunkel braun | VM 890 |
| Leder weiss | VM 100 |
| Leder rot | VM 3171 |
| Leder schwarz | VM 8500 |
| Leder blau | VM 3282 |
| Leder hell blau | VM 3015 |

TEPPICHE

Die E.T. Nummer verwenden, die in diesem Katalog erscheinen, und die zwei letzten Ziffern (00) mit folgenden Nummern ersetzen:

- 90 für schwarze Teppiche
- 91 für rote Teppiche
- 93 für dunkel braune Teppiche
- 94 für blaue Teppiche
- 96 für hell braune Teppiche



32 MONDIAL

GRUPPO MOTORE - CAMBIO E SUPPORTI
ENGINE - GEARBOX AND SUPPORTS

TAV. 1

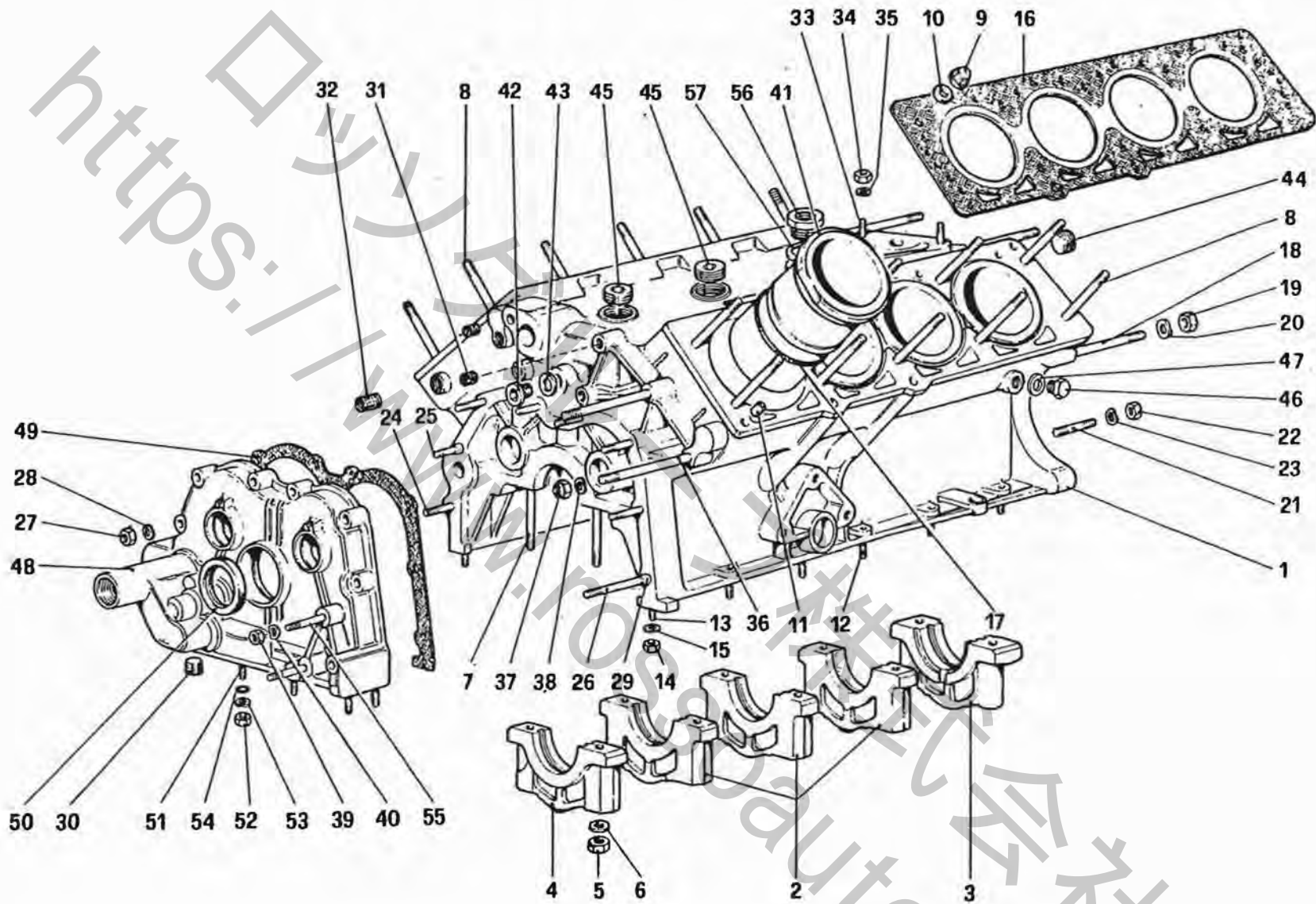
DATA: OTTOBRE 87

00117

TAVOLA 1

| Rif. | Dis. No. Part No. | Q.ty | DENOMINAZIONE | DESCRIPTION |
|------|----------------------|------|--|--|
| 1 | — | 1 | Motopropulsore completo di cambio e differenziale - Vedere foglio A dei complessivi forniti a cambio | Propelling unit with gearbox and differential - See table A for spare assembly units |
| 2 | 106418 | 2 | Tampone per tirante | Buffer for link |
| 3 | 111888 | 1 | Tirante di reazione | Reaction tie rod |
| 4 | 106469 | 1 | Supporto per tirante | Tie rod support |
| 5 | 106470 | - | Rondella di rasamento mm. 1 (di eventuale montaggio) | Shim 1 mm. (possible mounting) |
| 6 | 106471 | - | Rondella di rasamento mm. 2 (di eventuale montaggio) | Shim 2 mm. (possible mounting) |
| 7 | 106472 | 2 | Rondella di rasamento | Shim |
| 8 | 15541321 | 1 | Bullone | Bolt |
| 9 | 15541321 | 1 | Bullone | Bolt |
| 10 | 13550521 | 2 | Rondella | Washer |
| 11 | 16105111 | 2 | Dado | Nut |
| 12 | 13450021 | 8 | Prigioniero posteriore | Rear nut |
| 13 | 13830521 | 2 | Bullone | Bolt |
| 14 | 12638621 | 2 | Rondella | Washer |
| 15 | 107529 | 1 | Supporto Dx. anteriore | Front right support |
| - | 107528 | 1 | Supporto Dx. posteriore | Rear right support |
| 16 | 115712 | 1 | Supporto anteriore Sx. | Front left support |

| Rif. | Dis. No. Part No. | Q.ty | DENOMINAZIONE | DESCRIPTION |
|------|----------------------|------|--|--|
| 17 | 115713 | 1 | Supporto posteriore Sx. | Rear left support |
| 18 | 107530 | 2 | Distanziale per supporti posteriori | Spacer for rear supports |
| 19 | 106034 | 4 | Tampone VIBRACHOC anteriore In alternativa vale n. 136367 | VIBRACHOC front pad In alternative use no. 136367 |
| 20 | 106029 | - | Rondella di spessore (di eventuale montaggio) | Shim (possible mounting) |
| 21 | 16043421 | 7 | Bullone | Bolt |
| 22 | 16100811 | 8 | Dado | Nut |
| 23 | 106852 | 8 | Rondella | Washer |
| 24 | 106527 | 2 | Vite per tamponi posteriori | Screw for rear pads |
| 25 | 105799 | 2 | Vite per tamponi anteriori | Screw for front pads |
| 26 | 106854 | 4 | Rondella | Washer |
| 27 | 13449321 | 8 | Prigioniero anteriore | Front stud |
| 28 | 12164711 | 16 | Dado | Nut |
| 29 | 106853 | 16 | Rondella | Washer |
| 30 | 120978 | 2 | Distanziale tamponi anteriori Per USA vale n. 120977 | Spacer for front pads For US no 120977 |
| 31 | 12646901 | 6 | Rondella di rasamento | Shim |
| 32 | 16044021 | 1 | Bullone | Bolt |
| 33 | 111794 | 2 | Distanziale - Solo per USA | Spacer - Only for US |



3.2 MONDIAL

BASAMENTO
CRANKCASE

TAV. 2

DATA: OTTOBRE 87

TAVOLA 2

| Rif. | Dis. No. Part No. | Q.ty | DENOMINAZIONE | DESCRIPTION | Rif. | Dis. No. Part No. | Q.ty | DENOMINAZIONE | DESCRIPTION |
|------|----------------------|------|--|--------------------------------------|------|----------------------|------|--|--|
| 1 | 131186 | 1 | Basamento | Crankcase | 28 | 12601371 | 8 | Rondella | Washer |
| - | 126193 | 1 | Solo per USA MY87 | Only for US M.Y.87 | 29 | 102704 | 2 | Grano | Dowel |
| 1 | 126191 | 1 | Basamento completo | Crankcase, complete | 30 | 14326150 | 1 | Tappo | Plug |
| 2 | 103764 | 3 | Basamento (col complessivo n. 126193) | Crankcase (with assembly no. 126193) | 31 | 13525770 | 4 | Heli - coil per fiss. pompa acqua | Heli - coil securing water pump |
| 3 | 103765 | 1 | Cappello per supporto intermedio | Cap for intermediate support | 32 | 13526070 | 2 | Heli - coil per fiss. carter | Heli - coil securing cover |
| 4 | 103766 | 1 | Col basamento completo | With crankcase complete | 33 | 13517221 | 3 | Prigioniero base filtro olio | Stud for oil filter base |
| 5 | 103841 | 10 | Cappello per supporto posteriore | Cap for rear support | 34 | 16104411 | 3 | Dado autobloccante | Selflocking nut |
| 6 | 103842 | 10 | Col basamento completo | With crankcase complete | 35 | 12601371 | 3 | Rondella | Washer |
| 7 | 104075 | 10 | Cappello supporto anteriore | Cap for front support | 36 | 115237 | 2 | Prigioniero fissaggio carter Sx. e supporto compressore | Stud securing left cover and compressor support |
| 8 | 126647 | 20 | Col basamento completo | With crankcase complete | 37 | 12575621 | 2 | Dado autobloccante | Selflocking nut |
| 9 | 126646 | 20 | Dado | Nut | 38 | 107993 | 2 | Rondella | Washer |
| 10 | 126648 | 20 | Rondella | Washer | 39 | 16104411 | 2 | Dado | Nut |
| 11 | 123864 | 4 | Grano | Dowel | 40 | 12601371 | 2 | Rondella | Washer |
| 12 | 13543621 | 6 | Prigioniero | Stud | 41 | 126190 | 8 | Canna cilindro | Cylinder barrel |
| 13 | 12354521 | 2 | Prigioniero | Stud | 42 | 10275001 | 2 | Tappo | Plug |
| - | 13543321 | 1 | Prigioniero post. destro fissaggio scatola cambio | Right rear stud securing gearbox | 43 | 10263460 | 2 | Guarnizione | Gasket |
| 14 | 16100811 | 9 | Dado | Nut | 44 | 10269850 | 2 | Tappo posteriore | Rear plug |
| 15 | 11198071 | 9 | Rondella | Washer | 45 | 14325540 | 2 | Tappo superiore | Upper plug |
| 16 | 126789 | 2 | Guarnizione | Gasket | 46 | 10300640 | 1 | Tappo | Plug |
| 17 | 126183 | 8 | Anello di tenuta | Sealing ring | 47 | 10280060 | 1 | Guarnizione | Gasket |
| 18 | 13953521 | 5 | Prigioniero | Stud | - | 125276 | 1 | Coperchio anteriore completo | Front cover complete |
| 19 | 12164711 | 5 | Dado | Nut | 48 | 123862 | 1 | Coperchio anteriore | Front cover |
| 20 | 12601471 | 5 | Rondella | Washer | 49 | 103791 | 1 | Guarnizione - No per C8 | Gasket - Not for C8 |
| 21 | 11500621 | 6 | Prigioniero | Stud | 49 | 135089 | 1 | Guarnizione - Per C8 | Gasket - For C8 |
| 22 | 15896211 | 6 | Dado | Nut | 50 | 108224 | 1 | Anello di tenuta | Sealing ring |
| 23 | 11197771 | 6 | Rondella | Washer | 51 | 12354521 | 5 | Prigioniero | Stud |
| 24 | 13517321 | 3 | Prigioniero - Per USA q = 6 | Stud - For US q = 6 | - | 13543821 | 1 | Prigioniero | Stud |
| 25 | 13517421 | 3 | Prigioniero - Per USA q = 1 | Stud - For US q = 1 | 52 | 16100811 | 6 | Dado | Nut |
| - | 13517521 | 1 | Prigioniero - No per USA | Stud - Not for U. S. Version | 53 | 11198071 | 6 | Rondella | Washer |
| 26 | 13952521 | 1 | Prigioniero | Stud | 54 | 103039 | 1 | Anello di tenuta | Sealing ring |
| 27 | 16104411 | 8 | Dado | Nut | 55 | 13543621 | 2 | Prigioniero | Stud |
| | | | | | 56 | 115245 | 1 | Raccordo per interruttore termico | Union for thermo-time switch |
| | | | | | 57 | 10296260 | 1 | Guarnizione | Gasket |

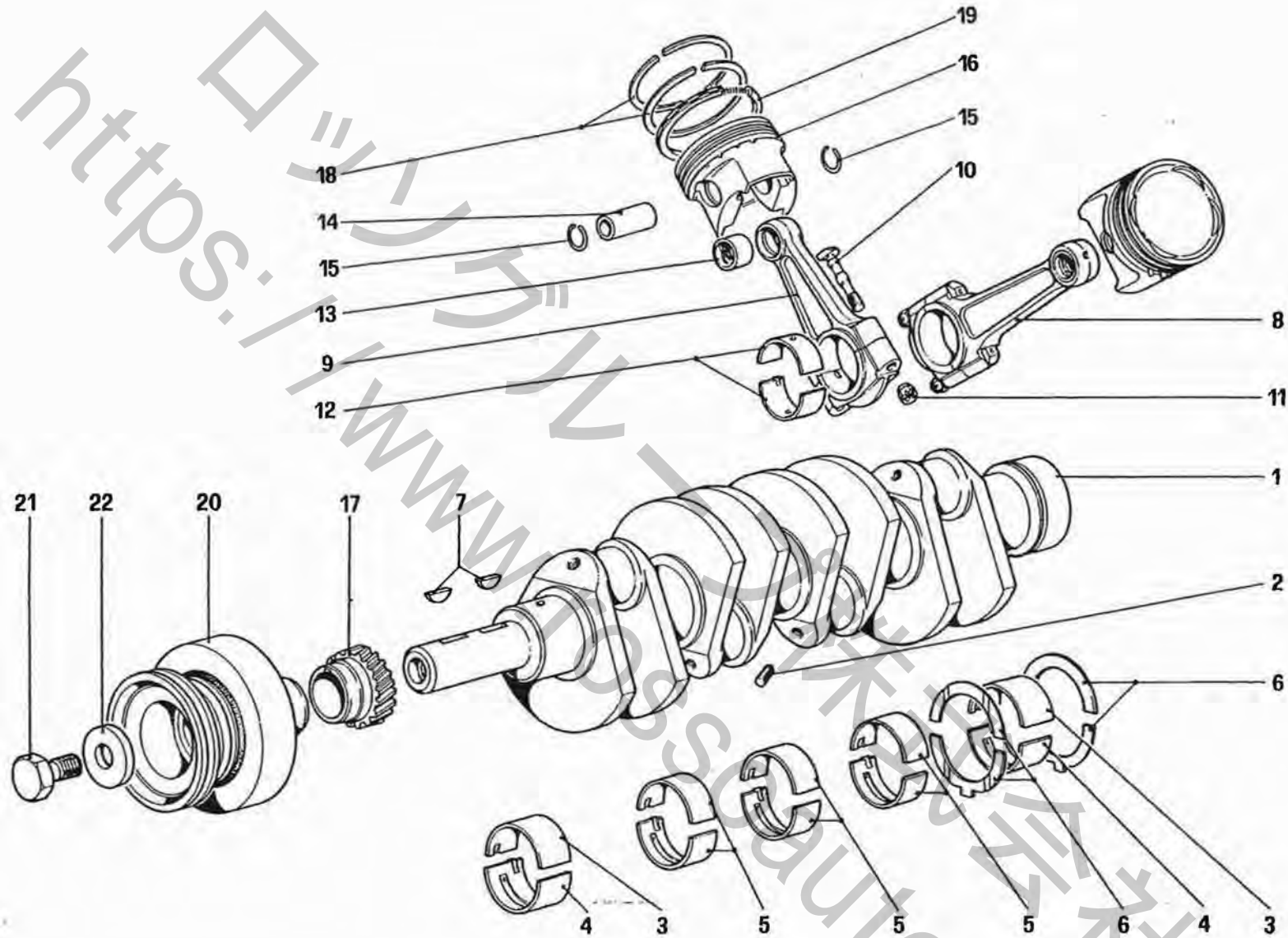


TAVOLA 3

| Rif. | Dis. No. Part No. | Q.ty | DENOMINAZIONE | DESCRIPTION | Rif. | Dis. No. Part No. | Q.ty | DENOMINAZIONE | DESCRIPTION |
|------|----------------------|------|---|--|------|----------------------|------|---|--|
| 1 | 116961 | 1 | Albero motore | Crankshaft | 11 | 104011 | 16 | Dado per bullone biella | Nut for connecting rod bolt |
| 2 | 14326150 | 8 | Tappo | Plug | 12 | 100150 | 16 | Semicuscinetto di biella | Connecting rod half bearing |
| - | - | - | Semicuscinelli anteriori e posteriori | Half bearing, front and rear | - | 100151 | - | 1ª minorazione mm. 0,254 sul ø | 1st undersize 0,254 mm. on ø |
| 3 | 100118 | 2 | Semicuscinetto superiore | Upper half bearing | - | 100152 | - | 2ª minorazione mm. 0,508 sul ø | 2nd undersize 0,508 mm. on ø |
| - | 100119 | - | 1ª minorazione mm. 0,254 sul ø | 1st undersize 0,254 mm. on ø | 13 | 107100 | 8 | Boccola per spinotto | Bush for gudgeon pin |
| - | 100120 | - | 2ª minorazione mm. 0,508 sul ø | 2nd undersize 0,508 mm. on ø | 14 | 119537 | 8 | Spinotto per pistone | Gudgeon pin |
| 4 | 100122 | 2 | Semicuscinetto inferiore | Lower half bearing | 15 | 100174 | 16 | Anello per spinotto | Ring for gudgeon pin |
| - | 100123 | - | 1ª minorazione mm. 0,254 sul ø | 1st undersize 0,254 mm. on ø | 16 | 126580 | 8 | Pistone completo di segmenti | Piston with piston ring |
| - | 100124 | - | 2ª minorazione mm. 0,508 sul ø | 2nd undersize 0,508 mm. on ø | - | - | - | No per USA - C7 - C8 | Not for US - C7 and C8 |
| 5 | 104023 | 6 | Semicuscinetti centrali e intermedi | Half bearing, central and intermediate | 16 | 126754 | 8 | Pistone completo di segmenti | Piston with piston ring |
| - | 104024 | - | Semicuscinetto superiore e inferiore | Half bearing, upper and lower | - | - | - | Per USA - C7 - C8 | For US - C7 and C8 |
| - | 104025 | - | 1ª minorazione mm. 0,254 sul ø | 1st undersize 0,254 mm. on ø | 17 | 117655 | 1 | Pignone comando distribuzione | Driving sprocket for timing system |
| - | - | - | 2ª minorazione mm. 0,508 sul ø | 2nd undersize 0,508 mm. on ø | - | 126582 | 1 | Serie segmenti | Set of pistons rings |
| 6 | 100146 | 2 | Anello di rasamento | Shim | 18 | 126583 | 16 | Anello di tenuta AC torsionale (1ª 2ª gola) | AC torsion seal ring (1st - 2nd groove) |
| - | 113984 | - | Anello di rasamento per supporto posteriore | Shim for rear support | 19 | - | - | Con la serie completa di n. 126582 | With complete set no. 126582 |
| - | 100147 | - | 1ª minorazione mm. 0,127 | 1st oversize 0,127 mm. | - | 119851 | 8 | Anello raschiaolio ROF con molla | ROF scraper ring with spring |
| - | - | - | 2ª minorazione mm. 0,25 | 2nd oversize 0,25 mm. | - | - | - | (3ª gola) | (3rd groove) |
| 7 | 10206020 | 2 | Linguetta | Tongue | 20 | 126189 | 1 | Con la serie completa n. 126582 | With complete set no. 126582 |
| 8 | 109738 | 8 | Biella completa | Connecting rod, complete | 21 | 100476 | 1 | Smorzatore torsionale con puleggia | Torsion damper with pulley |
| 9 | 109688 | 8 | Biella e cappello | Connecting rod and cap | 22 | 102775 | 1 | Vite | Screw |
| - | - | - | Col complessivo n. 109738 | With assembly no. 109738 | - | - | - | Rondella | Washer |
| 10 | 100156 | 16 | Bullone serraggio biella | Bolt securing connecting rod | | | | | |

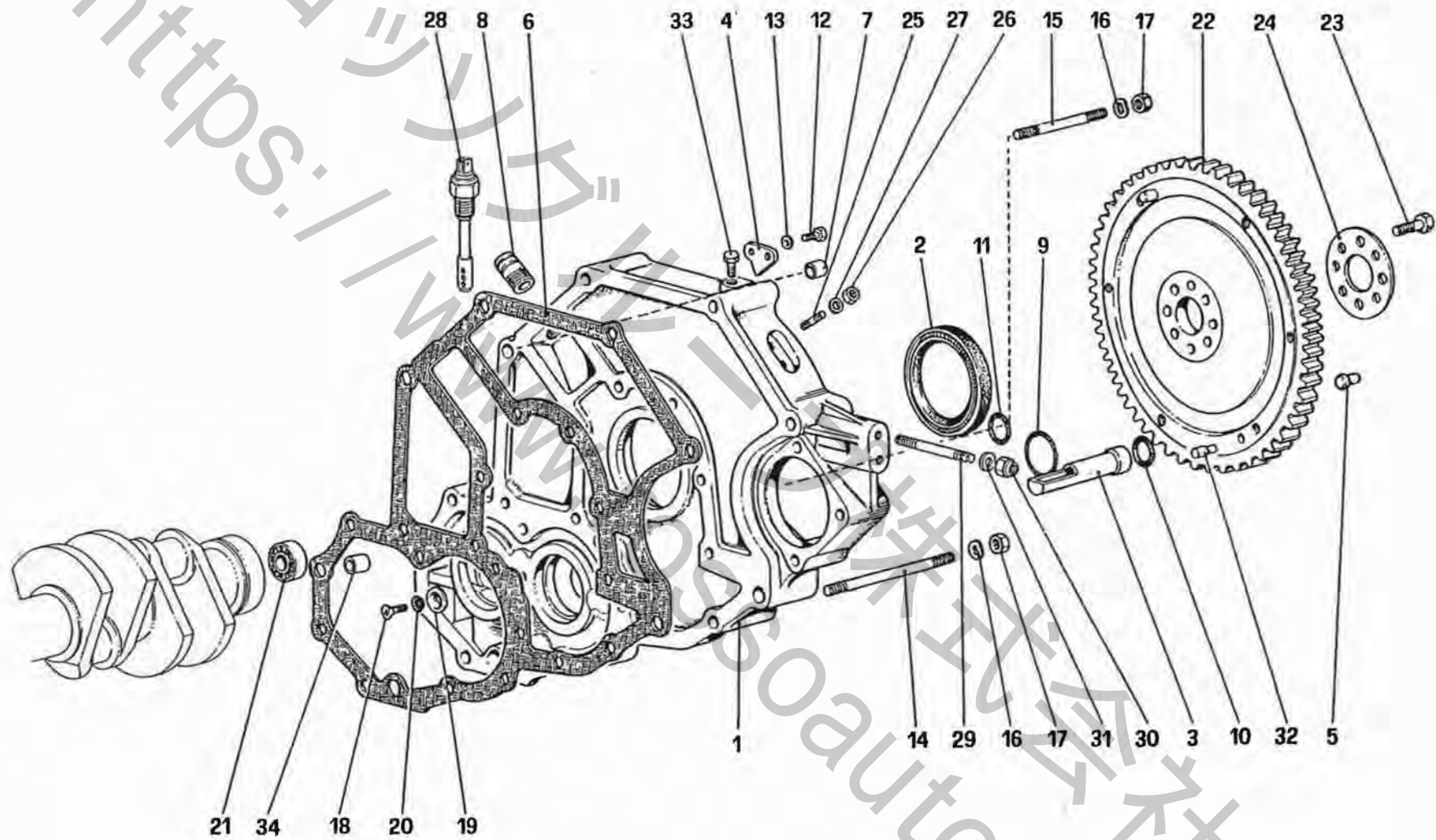


TAVOLA 4

| Rif. | Dis. No. Part No. | Q.ty | DENOMINAZIONE | DESCRIPTION | Rif. | Dis. No. Part No. | Q.ty | DENOMINAZIONE | DESCRIPTION |
|------|----------------------|------|---|---|------|----------------------|------|--|---|
| - | 130526 | 1 | (B) Corpo intermedio completo | (B) Intermediate body complete | 17 | 16100811 | 2 | Dado | Nut |
| 1 | 127452 | 1 | Corpo intermedio Col complessivo n. 130526 | Intermediate body With assembly no. 130526 | 18 | 111213 | 1 | Vite | Screw |
| - | 134497 | 1 | (A) Corpo intermedio completo | (A) Intermediate body complete | 19 | 108039 | 1 | Rondella | Washer |
| 1 | 133816 | 1 | Corpo intermedio Col complessivo n. 134497 | Intermediate body With assembly no. 134497 | 20 | 108041 | 1 | Rondella | Washer |
| 2 | 106244 | 1 | Anello di tenuta In alternativa al n. 40000230 | Sealing ring As option to no. 40000230 | 21 | 103877 | 1 | Cuscinetto | Bearing |
| 3 | 104035 | 1 | Tubo passaggio olio | Oil tube | 22 | 127506 | 1 | Volano motore No per USA e CH | Engine flywheel Not for US and CH |
| 4 | 114603 | 1 | Piastrina riferimento fasatura | Plate, timing refer | 22 | 129648 | 1 | Volano motore - Per USA e C8 | Engine flywheel - For US and C8 |
| 5 | 101535 | 3 | Grano | Dowel | 23 | 103875 | 8 | Volano motore - Per C6 e C7 | Engine flywheel - For C6 and C7 |
| 6 | 104202 | 1 | Guarnizione | Gasket | 24 | 103876 | 1 | Bullone | Bolt |
| 7 | 102692 | 1 | Grano | Dowel | 24 | 103876 | 1 | Rondella | Washer |
| 8 | 102705 | 1 | Raccordo | Union | 25 | 13539021 | 4 | Prigioniero fissaggio sensori | Stud fixing sensor |
| 9 | 114947 | 1 | Anello di tenuta | Sealing ring | 26 | 15896411 | 4 | Dado | Nut |
| 10 | 103775 | 1 | Anello di tenuta | Sealing ring | 27 | 106849 | 4 | Rondella | Washer |
| 11 | 104214 | 1 | Anello di tenuta | Sealing ring | 28 | 116053 | 1 | (B) Sensore livello olio cambio | (B) Sensor for gearbox oil level |
| 12 | 10977621 | 2 | Vite | Screw | 29 | 13544321 | 2 | Prigioniero | Stud |
| 13 | 106849 | 2 | Rondella elastica | Spring washer | 30 | 16104111 | 2 | Dado | Nut |
| 14 | 104217 | 1 | Prigioniero lungo | Long stud | 31 | 12601371 | 2 | Rondella | Washer |
| 15 | 13952421 | 1 | Prigioniero corto | Short stud | 32 | 114769 | 2 | Grano | Dowel |
| 16 | 11194071 | 2 | Rondella | Washer | 33 | 13825821 | 2 | Vite | Screw |
| | | | | | 34 | 102692 | 1 | Grano - Dalla vettura n. 71799 | Dowel - From car no. 71799 |

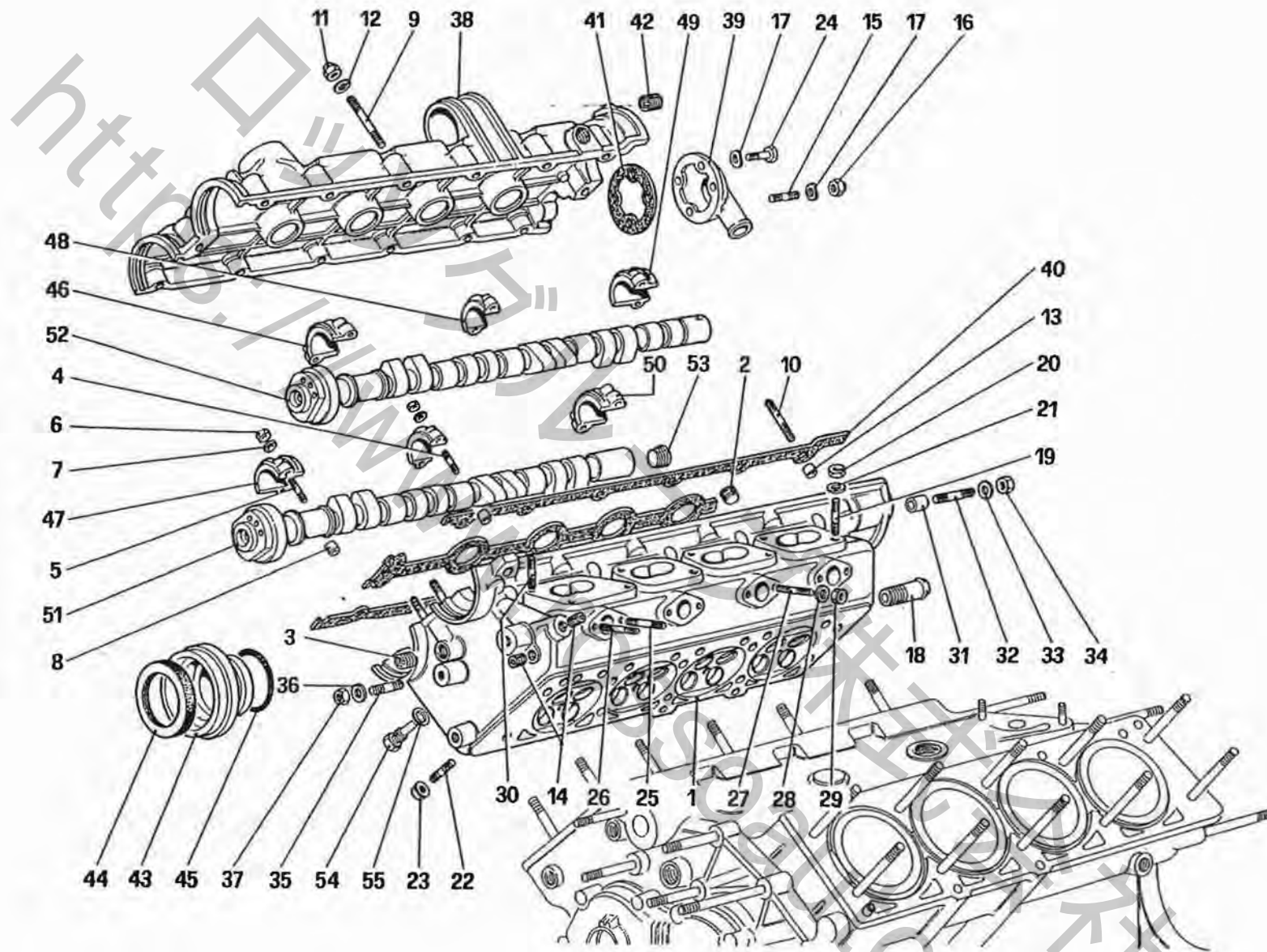
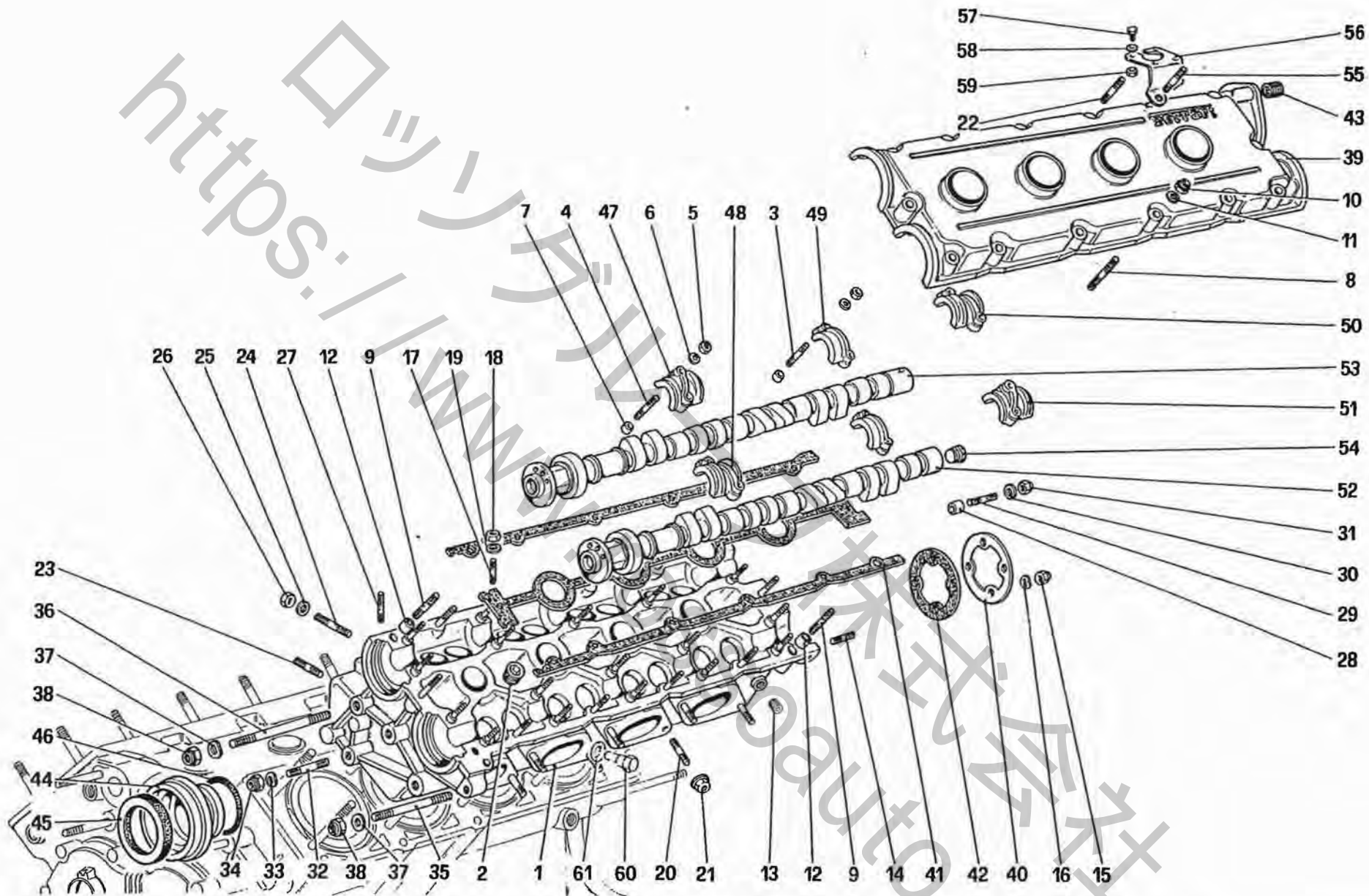


TAVOLA 5

| Rif. | Dis. No. Part No | Q.ty | DENOMINAZIONE | DESCRIPTION |
|------|---------------------|------|---|---|
| - | 131877 | 1 | Testa cilindri Dx. completa (No per USA e CH) | Right cylinder head, complete (Not for US and CH) |
| 1 | 127489 | 1 | Testa Dx. (Con la testa completa n. 131877) | Right cylinder head (With complete cylinder head no. 131877) |
| - | 127488 | 1 | Testa cilindri Dx. completa (Per USA e CH) | Right cylinder head, complete (For US and CH) |
| 1 | 127489 | 1 | Testa Dx. (Con la testa completa n. 127488) | Right cylinder head (With complete cylinder head no. 127488) |
| 2 | 127635 | 5 | Tappo | Plug |
| 3 | 13526070 | 1 | Heli - coil | Heli - coil |
| 4 | 102735 | 12 | Prigioniero per cappelli intermedi | Stud for intermediate caps |
| 5 | 102754 | 8 | Prigioniero per cappelli esterni | Stud for outer caps |
| 6 | 15896211 | 20 | Dado | Nut |
| 7 | 11197773 | 20 | Rondella | Washer |
| 8 | 102725 | 20 | Grano | Dowel |
| 9 | 13541621 | 12 | Prigioniero per coperchio | Stud |
| 10 | 13541721 | 2 | Prigioniero sul grano | Stud |
| 11 | 100044 | 14 | Dado autobloccante | Selflocking nut |
| 12 | 11197771 | 14 | Rondella | Washer |
| 13 | 102725 | 2 | Grano | Dowel |
| 14 | 14326150 | 3 | Tappo | Plug |
| 15 | 11500521 | 2 | Prigioniero | Stud |
| 16 | 12575411 | 2 | Dado | Nut |
| 17 | 12601271 | 4 | Rondella | Washer |
| 18 | 106227 | 1 | Raccordo per riscaldatore | Nipple for heater |
| 19 | 13543321 | 8 | Prigioniero fiss. collettori aspirazione | Stud |
| 20 | 16100811 | 10 | Dado | Nut |
| 21 | 11198071 | 10 | Rondella | Washer |
| 22 | 12354521 | 8 | Prigioniero fiss. collettori scarico | Stud securing exhaust manifold |
| 23 | 124525 | 8 | Dado | Nut |
| 24 | 10902221 | 2 | Vite | Screw |
| 25 | 13541621 | 3 | Prigioniero corto per collettori acqua | Short stud |
| 26 | 13541721 | 4 | Prigioniero lungo per collettori acqua | Long stud |
| 27 | 13541821 | 1 | Prigioniero per collettori acqua (cilindro n. 3) | Stud for water manifold (cylinder no. 3) |
| 28 | 11197773 | 8 | Rondella | Washer |
| 29 | 15896211 | 8 | Dado | Nut |
| 30 | 13543521 | 2 | Prigioniero fiss. collettori aspirazione (parte anteriore) | Stud for fixing suction manifold (front part) |

| Rif. | Dis. No. Part No | Q.ty | DENOMINAZIONE | DESCRIPTION |
|------|---------------------|------|--|---|
| 31 | 102725 | 2 | Grano | Dowel |
| 32 | 11500521 | 2 | Prigioniero fiss. supporto calotta | Stud for fixing calotte support |
| 33 | 11197773 | 2 | Rondella | Washer |
| 34 | 15896211 | 2 | Dado | Nut |
| 35 | 13543321 | 3 | Prigioniero | Stud |
| 36 | 12601371 | 3 | Rondella | Washer |
| 37 | 16104411 | 3 | Dado | Nut |
| - | 111564 | 1 | Coperchio testa completo Con la testa cilindri | Head cover, complete With complete cylinder |
| 38 | 117220 | 1 | Coperchio testa Dx. Con il coperchio completo | Right head cover With complete cover |
| 39 | 103808 | 1 | Coperchio sfilo posteriore | End cover with blow-by inlet |
| 40 | 117263 | 1 | Guarnizione - No per C8 | Gasket - Not for C8 |
| 40 | 132916 | 1 | Guarnizione - Per C8 | Gasket - For C8 |
| 41 | 119067 | 1 | Guarnizione - No per C8 | Gasket - Not for C8 |
| 41 | 132919 | 1 | Guarnizione - Per C8 | Gasket - For C8 |
| 42 | 13525470 | 3 | Heli - coil | Heli - coil |
| 43 | 117257 | 2 | Coperchietto anteriore | Front cover |
| 44 | 105389 | 2 | Anello di tenuta | Sealing ring |
| 45 | 117275 | 2 | Anello di tenuta | Sealing ring |
| 46 | 117039 | 1 | Cappello anteriore lato aspirazione Con la testa cilindri completa | Front cap inlet side With complete cylinder head |
| 47 | 117040 | 1 | Cappello anteriore lato scarico Con la testa cilindri completa | Front cap exhaust side With complete cylinder head |
| 48 | 126811 | 6 | Cappello intermedio Con la testa cilindri completa | Intermediate cap With complete cylinder head |
| 49 | 126813 | 1 | Cappello posteriore lato aspirazione Con la testa cilindri completa | Rear cap inlet side With complete cylinder head |
| 50 | 126812 | 1 | Cappello posteriore lato scarico Con la testa cilindri completa | Rear cap exhaust side With complete cylinder head |
| 51 | 126556 | 1 | Albero distribuzione scarico Dx. completo | Right exhaust camshaft, complete |
| 52 | 126186 | 1 | Albero distribuzione aspirazione Dx. completo | Right intake camshaft complete |
| 53 | 10269750 | 1 | Tappo | Plug |
| 54 | 127545 | 4 | Tappo - No per USA e CH | Plug - Not for US and CH |
| 55 | 10257060 | 4 | Guarnizione - No per USA e CH | Gasket - Not for US and CH |



3.2 MONDIAL

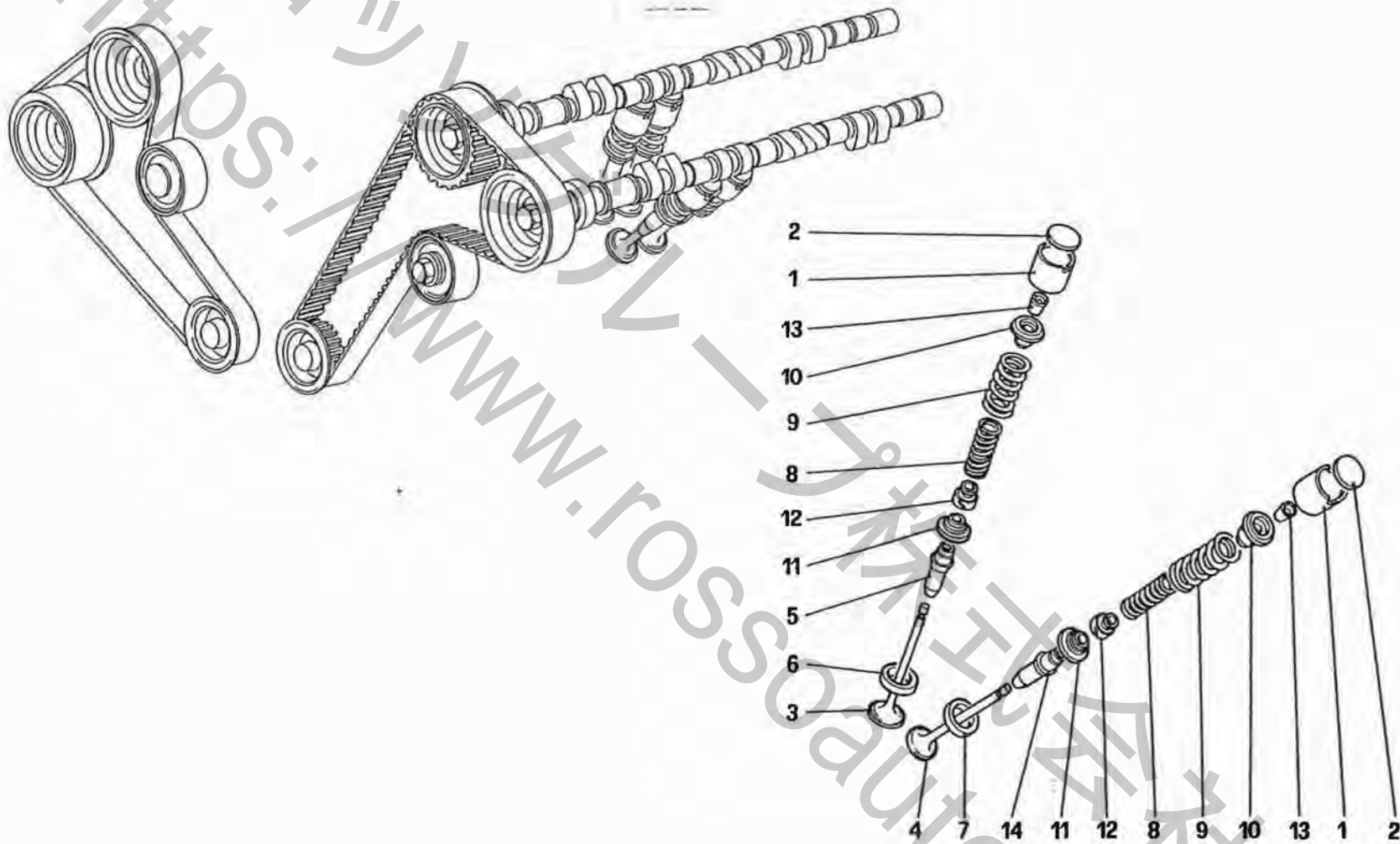
TESTA CILINDRI SINISTRA
CYLINDER HEAD (LEFT)

TAV. 6
DATA: OTTOBRE 87

TAVOLA 6

| Rif. | Dis. No. Part No. | Q.ty | DENOMINAZIONE | DESCRIPTION |
|------|----------------------|------|---|--|
| - | 131888 | 1 | Testa cilindri Sx. completa (No per USA - AUS e CH) | Left cylinder head, complete (Not for US - AUS and CH) |
| 1 | 127491 | 1 | Testa Sx. (Con la testa completa n. 131888) | Left cylinder head (With complete cylinder head no. 131888) |
| - | 127490 | 1 | Testa cilindri Sx. completa (Per USA - AUS e CH) | Left cylinder head, complete (Not for US - AUS and CH) |
| 1 | 127491 | 1 | Testa Sx. (Con la testa completa n. 127490) | Left cylinder head (With complete cylinder head no. 127490) |
| 2 | 127635 | 5 | Tappo | Plug |
| 3 | 102735 | 12 | Prigioniero per cappelli intermedi | Stud for intermediate caps |
| 4 | 102754 | 8 | Prigioniero per cappelli esterni | Stud for outer caps |
| 5 | 15896211 | 20 | Dado | Nut |
| 6 | 11197773 | 20 | Rondella | Washer |
| 7 | 102725 | 20 | Grano | Dowel |
| 8 | 13541621 | 10 | Prigioniero per coperchio | Stud |
| 9 | 13541721 | 2 | Prigioniero sul grano | Stud |
| 10 | 100044 | 14 | Dado autobloccante | Selflocking nut |
| 11 | 11197771 | 14 | Rondella | Washer |
| 12 | 102725 | 2 | Grano | Dowel |
| 13 | 14326150 | 3 | Tappo | Plug |
| 14 | 11500321 | 4 | Prigioniero | Stud |
| 15 | 12575411 | 4 | Dado | Nut |
| 16 | 12601271 | 4 | Rondella | Washer |
| 17 | 13543321 | 9 | Prigioniero fiss. collettori aspirazione | Stud |
| 18 | 16100811 | 10 | Dado | Nut |
| 19 | 11198071 | 10 | Rondella | Washer |
| 20 | 12354521 | 8 | Prigioniero fiss. collettori scarico | Stud securing exhaust manifold |
| 21 | 124525 | 8 | Dado | Nut |
| 22 | 13541721 | 1 | Prigioniero | Stud |
| 23 | 13541621 | 3 | Prigioniero corto per collettori acqua | Short stud |
| 24 | 13541721 | 5 | Prigioniero lungo per collettori acqua | Long stud |
| 25 | 11197773 | 8 | Rondella | Washer |
| 26 | 15896211 | 8 | Dado | Nut |
| 27 | 13543521 | 1 | Prigioniero fiss. collettori aspirazione (parte anteriore) | Stud for fixing suction manifold (front part) |
| 28 | 102725 | 2 | Grano | Dowel |
| 29 | 11500521 | 2 | Prigioniero fiss. supporto calotta | Stud for fixing distributor cap support |
| 30 | 11197773 | 2 | Rondella | Washer |
| 31 | 15896211 | 2 | Dado | Nut |
| 32 | 13543721 | 3 | Prigioniero | Stud |
| 33 | 12601371 | 3 | Rondella | Washer |
| 34 | 16104411 | 3 | Dado | Nut |
| 35 | 13953821 | 1 | Prigioniero fissaggio carter | Stud securing cover |

| Rif. | Dis. No. Part No. | Q.ty | DENOMINAZIONE | DESCRIPTION |
|------|----------------------|------|--|--|
| 36 | 13451821 | 1 | Prigioniero fissaggio carter e supporto compressore | Stud to fix. crankcase and compressor support |
| 37 | 107993 | 1 | Rondella | Washer |
| - | 14496621 | 1 | Rondella | Washer |
| 38 | 12574511 | 2 | Dado | Nut |
| - | 111565 | 1 | Coperchio testa Sx. completo Con la testa cilindri | Left head cover, complete With complete cylinder head |
| 39 | 117221 | 1 | Coperchio testa Sx. Con il coperchio testa completo | Left head cover With complete head cover |
| 40 | 103796 | 1 | Coperchio posteriore | Rear cover |
| 41 | 117264 | 1 | Guarnizione - No per C8 | Gasket - Not for C8 |
| 41 | 132917 | 1 | Guarnizione - Per C8 | Gasket - For C8 |
| 42 | 104694 | 1 | Guarnizione - No per C8 | Gasket - Not for C8 |
| 42 | 132918 | 1 | Guarnizione - Per C8 | Gasket - For C8 |
| 43 | 13525470 | 3 | Heli - coil | Heli - coil |
| 44 | 117257 | 2 | Coperchietto anteriore | Front cover |
| 45 | 105389 | 2 | Anello di tenuta | Sealing ring |
| 46 | 117275 | 2 | Anello di tenuta | Sealing ring |
| 47 | 117042 | 1 | Cappello anteriore lato aspirazione Con la testa cilindri completa | Front cap inlet side With complete cylinder head |
| 48 | 117041 | 1 | Cappello anteriore lato scarico Con la testa cilindri completa | Front cap exhaust side With complete cylinder head |
| 49 | 126811 | 6 | Cappello intermedio Con la testa cilindri completa | Intermediate cap With complete cylinder head |
| 50 | 126202 | 1 | Cappello posteriore lato aspirazione Con la testa cilindri completa | Rear cap inlet side With complete cylinder head |
| 51 | 126203 | 1 | Cappello posteriore lato scarico Con la testa cilindri completa | Rear cap exhaust side With complete cylinder head |
| 52 | 126558 | 1 | Albero distribuzione scarico Sx. completo | Left exhaust camshaft complete |
| 53 | 126188 | 1 | Albero distribuzione aspirazione Sx. completo | Left intake camshaft complete |
| 54 | 10269750 | 1 | Tappo | Plug |
| 55 | 13541721 | 1 | Prigioniero | Stud |
| 56 | 116875 | 1 | (1B) Staffa | (1B) Bracket |
| - | 134259 | 1 | (1A) Staffa | (1A) Bracket |
| 56 | 121150 | 1 | (2B) Staffa | (2B) Bracket |
| - | 134260 | 1 | (2A) Staffa | (2A) Bracket |
| 57 | 10373411 | 4 | Vite | Screw |
| 58 | 10615171 | 4 | Rondella | Washer |
| 59 | 16107111 | 4 | Dado | Nut |
| 60 | 127545 | 4 | Tappo - No per USA e CH | Plug - Not for US and CH |
| 61 | 10257060 | 4 | Guarnizione - No per USA e CH | Gasket - Not for US and CH |



3₂MONDIAL

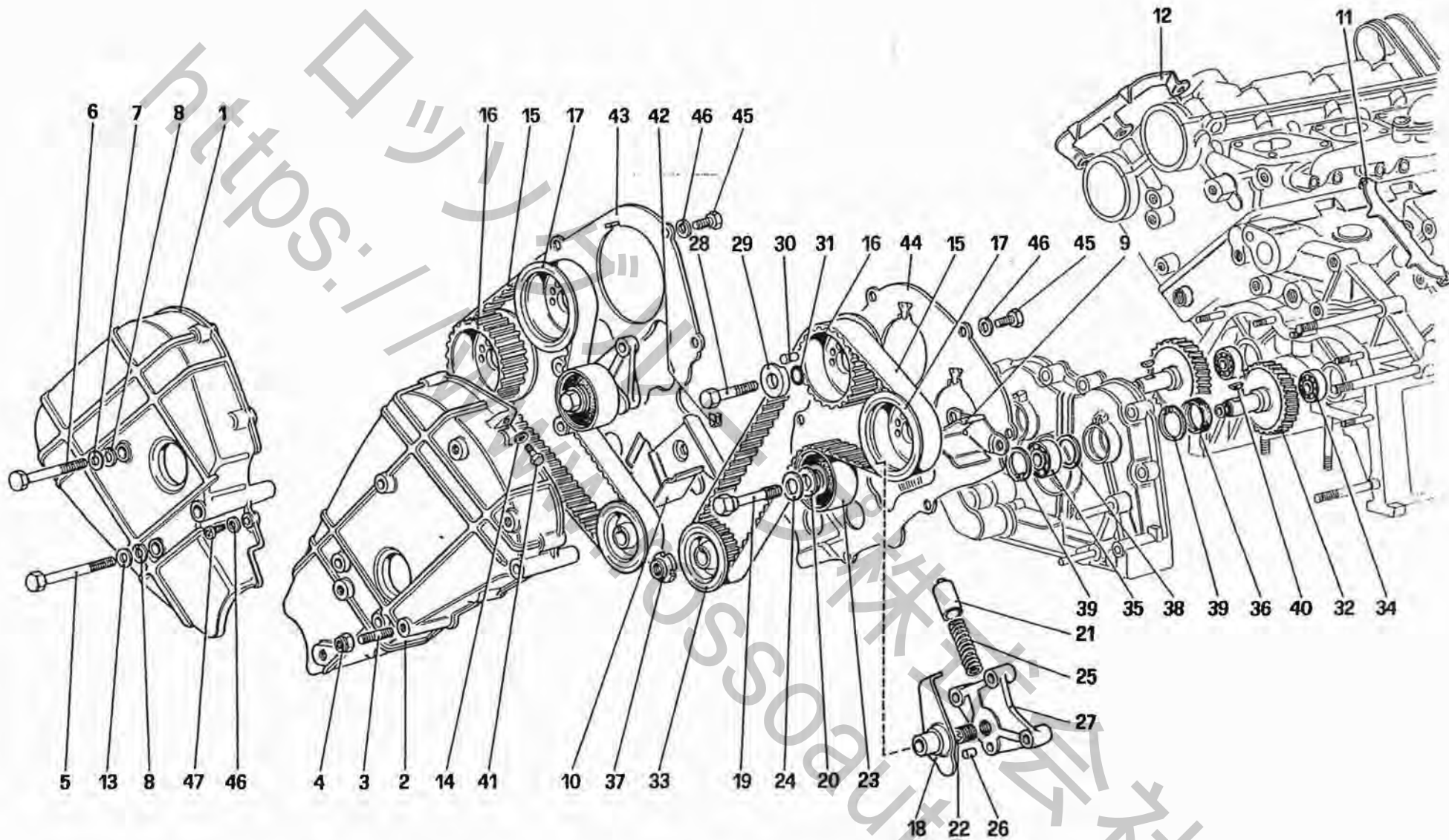
DISTRIBUZIONE - PUNTERIE
TIMING SYSTEM - TAPPETS

TAV. 7
 DATA: OTTOBRE 87

TAVOLA 7

| Rif. | Dis. No. Part No. | Q.ty | DENOMINAZIONE | DESCRIPTION |
|------|----------------------|------|---|--|
| 1 | 117562 | 32 | Punteria comando valvola | Tappet for valve control |
| 2 | 117569 | 32 | Piattello registrazione valvole spessore mm. 3,25 | Shim for valve adjusting, thickness 3,25 mm. |
| - | 117570 | 32 | Idem spessore mm. 3,30 | Ditto, thickness 3,30 mm. |
| - | 117571 | 32 | Idem spessore mm. 3,35 | Ditto, thickness 3,35 mm. |
| - | 117572 | 32 | Idem spessore mm. 3,40 | Ditto, thickness 3,40 mm. |
| - | 117573 | 32 | Idem spessore mm. 3,45 | Ditto, thickness 3,45 mm. |
| - | 117574 | 32 | Idem spessore mm. 3,50 | Ditto, thickness 3,50 mm. |
| - | 117575 | 32 | Idem spessore mm. 3,55 | Ditto, thickness 3,55 mm. |
| - | 117576 | 32 | Idem spessore mm. 3,60 | Ditto, thickness 3,60 mm. |
| - | 117577 | 32 | Idem spessore mm. 3,65 | Ditto, thickness 3,65 mm. |
| - | 117578 | 32 | Idem spessore mm. 3,70 | Ditto, thickness 3,70 mm. |
| - | 117579 | 32 | Idem spessore mm. 3,75 | Ditto, thickness 3,75 mm. |
| - | 117580 | 32 | Idem spessore mm. 3,80 | Ditto, thickness 3,80 mm. |
| - | 117581 | 32 | Idem spessore mm. 3,85 | Ditto, thickness 3,85 mm. |
| - | 117582 | 32 | Idem spessore mm. 3,90 | Ditto, thickness 3,90 mm. |
| - | 117583 | 32 | Idem spessore mm. 3,95 | Ditto, thickness 3,95 mm. |
| - | 117584 | 32 | Idem spessore mm. 4,00 | Ditto, thickness 4,00 mm. |
| - | 117585 | 32 | Idem spessore mm. 4,05 | Ditto, thickness 4,05 mm. |
| - | 117586 | 32 | Idem spessore mm. 4,10 | Ditto, thickness 4,10 mm. |
| - | 117587 | 32 | Idem spessore mm. 4,15 | Ditto, thickness 4,15 mm. |
| - | 117588 | 32 | Idem spessore mm. 4,20 | Ditto, thickness 4,20 mm. |
| - | 117589 | 32 | Idem spessore mm. 4,25 | Ditto, thickness 4,25 mm. |
| - | 117590 | 32 | Idem spessore mm. 4,30 | Ditto, thickness 4,30 mm. |
| - | 117591 | 32 | Idem spessore mm. 4,35 | Ditto, thickness 4,35 mm. |

| Rif. | Dis. No. Part No. | Q.ty | DENOMINAZIONE | DESCRIPTION |
|------|----------------------|------|---|--|
| - | 117592 | 32 | Idem spessore mm. 4,40 | Ditto, thickness 4,40 mm. |
| - | 117593 | 32 | Idem spessore mm. 4,45 | Ditto, thickness 4,45 mm. |
| - | 117594 | 32 | Idem spessore mm. 4,50 | Ditto, thickness 4,50 mm. |
| - | 117595 | 32 | Idem spessore mm. 4,55 | Ditto, thickness 4,55 mm. |
| - | 117596 | 32 | Idem spessore mm. 4,60 | Ditto, thickness 4,60 mm. |
| 3 | 117363 | 16 | Valvola di aspirazione - Fino vettura n. 71379 | Intake valve - Until car no. 71379 |
| 4 | 117364 | 16 | Valvola di scarico - Fino vettura n. 71379 | Exhaust valve - Until car no. 71379 |
| 3 | 131198 | 16 | Valvola di aspirazione - Dalla vettura n. 71381 | Intake valve - From car no. 71381 |
| 4 | 131199 | 16 | Valvola di scarico - Dalla vettura n. 71381 | Exhaust valve - From car no. 71381 |
| 5 | 117563 | 16 | Guida valvola di aspirazione | Intake valve guide |
| - | 117564 | 16 | Guida valvola di aspirazione maggiorata di 0,2 mm. | Intake valve guide overized of 0,2 mm. |
| 6 | 125768 | 16 | Sede valvola aspirazione Dal 1-12-87 vale n. 125269 | Intake valve seal From 1-12-87 use no. 125269 |
| 7 | 119171 | 16 | Sede valvola scarico Dal 1-12-87 vale n. 125270 | Exhaust valve seal From 1-12-87 use no. 125270 |
| 8 | 117558 | 32 | Molla interna richiamo valvola | Inner spring for valve return |
| 9 | 117559 | 32 | Molla esterna richiamo valvola | Outer spring for valve return |
| 10 | 117567 | 32 | Scodellino superiore tenuta molle | Upper cup for retaining spring |
| 11 | 117568 | 32 | Scodellino inferiore tenuta molle | Lower cup for retaining spring |
| 12 | 119051 | 32 | Paraolio sulla guida valvola | Oil retainer on valve guide |
| 13 | 117283 | 64 | Semicono per scodellino molla valvola | Keeper |
| 14 | 117565 | 16 | Guida valvola di scarico | Exhaust valve guide |
| - | 117566 | 16 | Guida valvola di scarico maggiorata di 0,2 mm. | Exhaust valve guide overized of 0,2 mm. |



3.2 MONDIAL

DISTRIBUZIONE - COMANDI
TIMING SYSTEM - CONTROL

TAV. 8
 DATA: OTTOBRE 87

TAVOLA B

| Rif. | Dis. No. Part No. | Q.ty | DENOMINAZIONE | DESCRIPTION | Rif. | Dis. No. Part No. | Q.ty | DENOMINAZIONE | DESCRIPTION |
|------|----------------------|------|--|--|------|----------------------|------|--|----------------------------------|
| 1 | 121653 | 1 | Carter Dx. | Right cover | 21 | 102819 | 2 | Puntalino | Pin |
| - | 117438 | - | Carter Sx. completo | Left cover, complete | 22 | 13524670 | 2 | Heli - coil | Heli - coil |
| 2 | 117351 | 1 | Carter Sx. - Col complessivo n. 117438 | Left cover - With assembly no. 117438 | 23 | 126720 | 2 | Anello tendicinghia | Belt idler ring |
| - | 124681 | 1 | Solo per USA | For US | - | - | - | Dopo esaurimento vale n. 105206 | After exhaustion use no. 105206 |
| 2 | 123697 | 1 | Carter Sx. completo | Left cover, complete | 24 | 102824 | 2 | Rosetta | Washer |
| - | 124681 | 1 | Carter Sx. - Col complessivo n. 124681 | Left cover - With assembly no. 124681 | 25 | 104148 | 2 | Molla | Spring |
| - | 124681 | 1 | No per USA | Not for US | 26 | 10839610 | 2 | Grano | Dowel pin |
| 3 | 13546221 | 1 | Prigioniero | Stud | 27 | 118153 | 1 | Supporto tendicinghia Sx. | Support for left belt stretcher |
| 4 | 13598021 | 1 | Dado | Nut | - | 118152 | 1 | Supporto tendicinghia Dx. | Support for right belt stretcher |
| 5 | 121660 | 2 | Vite | Screw | 28 | 16326431 | 4 | Vite | Screw |
| 6 | 109013 | 1 | Vite | Screw | 29 | 117274 | 4 | Rondella | Washer |
| 7 | 12638601 | 2 | Rondella | Washer | 30 | 106203 | 4 | Grano | Dowel |
| 8 | 106853 | 3 | Rondella | Washer | 31 | 114808 | 4 | Anello di tenuta | Sealing ring |
| 9 | 125115 | 1 | Protezione cinghia Sx. | Protection left belt | 32 | 121272 | 2 | Ingranaggio comando albero distribuzione | Drive gear for camshaft |
| - | - | - | No per USA | Not for US | 33 | 121273 | 2 | Puleggia conduttrice | Driving pulley |
| 10 | 125114 | 1 | Protezione cinghia Dx. | Protection right belt | 34 | 121275 | 2 | Cuscinetto sul basamento | Bearing of crankcase |
| - | - | - | No per USA | Not for US | 35 | 121274 | 2 | Cuscinetto sul coperchio anteriore | Bearing on front cover |
| 11 | 125110 | 1 | Piastrino fasatura testa Sx. | Timing reference plate left cylinder head | 36 | 121276 | 2 | Paraolio | Oil retaining |
| - | - | - | No per USA | Not for US | 37 | 104919 | 2 | Ghiera | Ring nut |
| 12 | 125109 | 1 | Piastrino fasatura testa Dx. | Timing reference plate right cylinder head | 38 | 121279 | 2 | Rosetta | Washer |
| - | - | - | No per USA | Not for US | 39 | 121277 | 4 | Seeger | Seeger |
| 13 | 105391 | 1 | Rondella | Washer | 40 | 10206320 | 2 | Linguetta | Tonque |
| 14 | 12601271 | 1 | Rondella | Washer | 41 | 10902011 | 1 | Vite per tubo asta livello olio | Screw |
| 15 | 111334 | 2 | Cinghia distribuzione | Timing belt | 42 | 60793500 | 1 | Molletta - Vale per USA | Spring clip - For US |
| 16 | 126569 | 2 | Ingranaggio condotto | Driver gear | 43 | 117628 | 1 | Protezione cinghia Dx. - Vale per USA | Protection right belt - For US |
| 17 | 126568 | 2 | Ingranaggio condotto | Driver gear | 44 | 117627 | 1 | Protezione cinghia Sx. - Vale per USA | Protection left belt - For US |
| 18 | 117256 | 2 | Piastra tendicinghia | Belt stretcher plate | 45 | 10977711 | 12 | Vite - Vale per USA | Screw - For US |
| 19 | 111458 | 2 | Vite | Screw | 46 | 12601181 | 13 | Rondella - Vale per USA | Washer - For US |
| 20 | 111460 | 2 | Distanziale | Spacer | 47 | 15688502 | 1 | Vite - Vale per USA | Screw - For US |

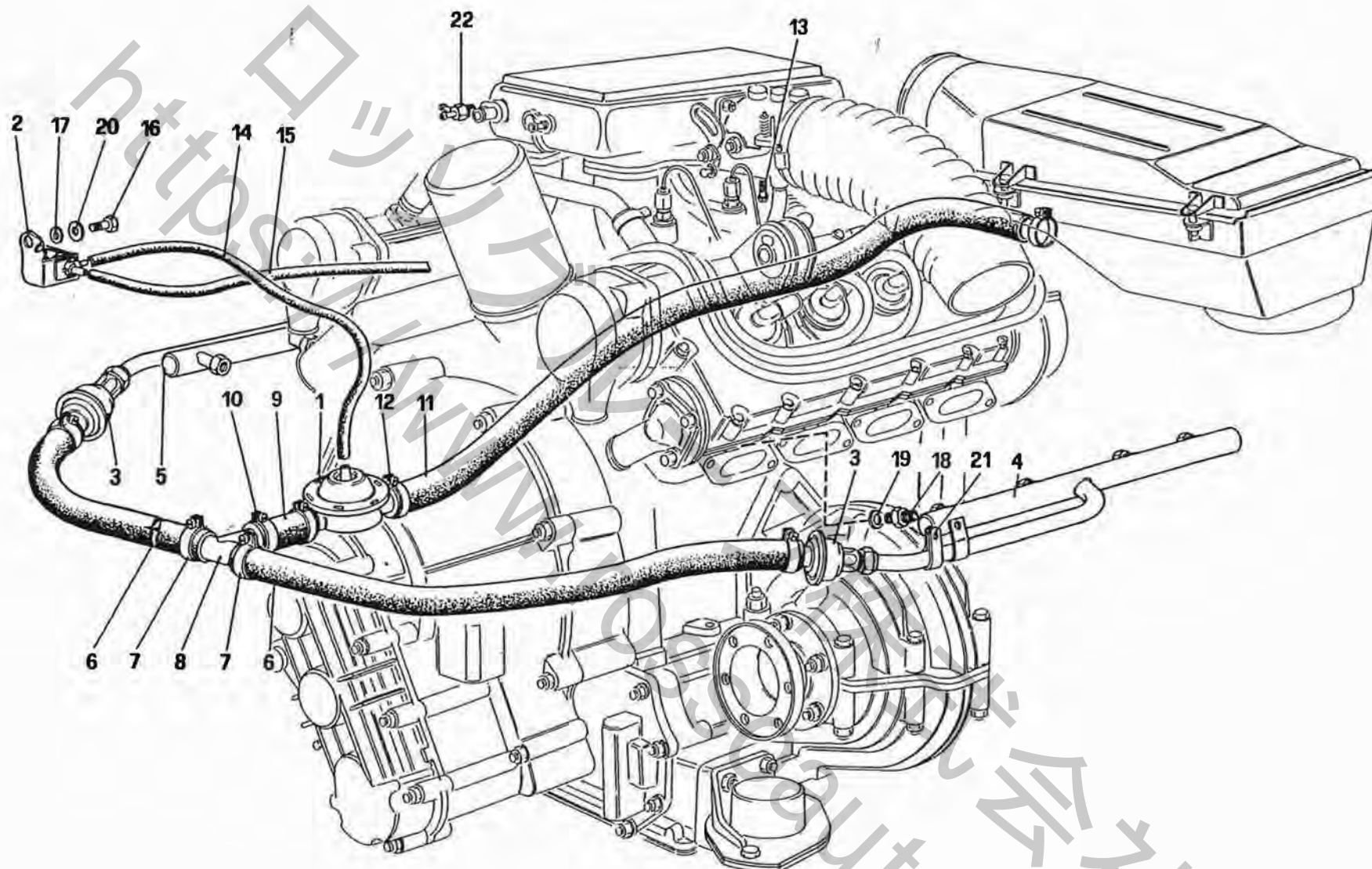
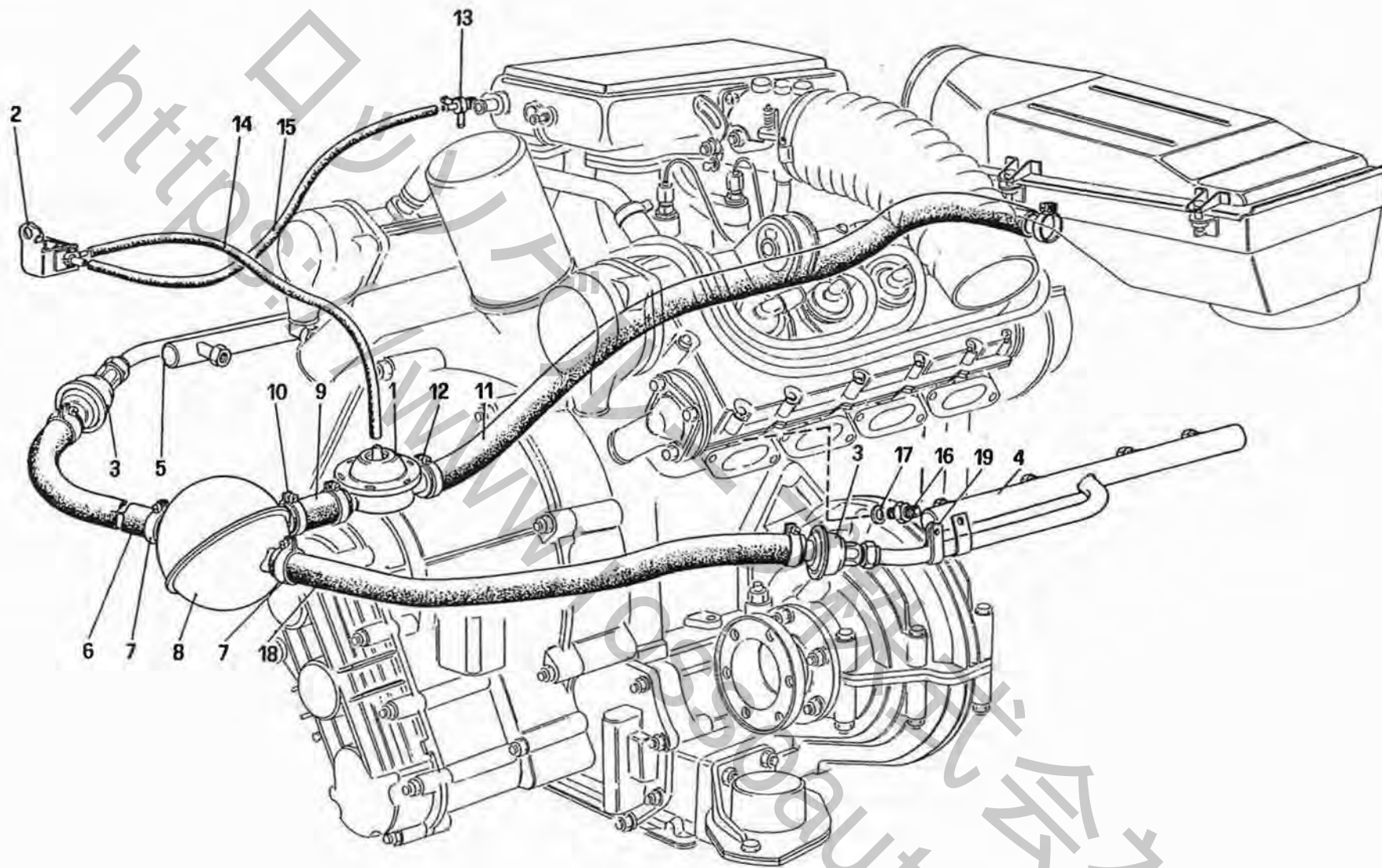


TAVOLA 9

| Rif. | Dis. No. Part No. | Q.ty | DENOMINAZIONE | DESCRIPTION | Rif. | Dis. No. Part No. | Q.ty | DENOMINAZIONE | DESCRIPTION |
|------|----------------------|------|-------------------------------|----------------------------------|------|----------------------|------|--------------------|-------------------|
| 1 | 121751 | 1 | Valvola Cut - Off | Cut - Off valve | 13 | 113637 | 1 | Raccordo - Per USA | Union - For US |
| 2 | 129059 | 1 | Elettrovalvola | Solenoid valve | 14 | 118502 | 1 | Tubo - No per C8 | Pipe - Not for C8 |
| 3 | 121769 | 2 | Valvola di non ritorno | Single check valve | 14 | 135959 | 1 | Tubo - Per C8 | Pipe - For C8 |
| 4 | 121808 | 1 | Tubo destro immissione aria | Right manifold for air injection | 15 | 117170 | 1 | Tubo - No per C8 | Pipe - Not for C8 |
| 5 | 121783 | 1 | Tubo sinistro immissione aria | Left manifold for air injection | 15 | 115147 | 1 | Tubo - Per C8 | Pipe - For C8 |
| 6 | 121825 | 2 | Tubo | Pipe | 16 | 10902611 | 1 | Vite | Screw |
| 7 | 12180290 | 4 | Fascetta | Clip | 17 | 12643701 | 1 | Rondella | Washer |
| 8 | 109887 | 1 | Raccordo a T | T union | 18 | 121718 | 8 | Raccordo | Union |
| 9 | 116783 | 1 | Manicotto | Sleeve | 19 | 10257060 | 8 | Guarnizione | Gasket |
| 10 | 12180290 | 2 | Fascetta | Clip | 20 | 127494 | 1 | Rondella | Washer |
| 11 | 118231 | 1 | Tubo | Pipe | 21 | 119811 | 2 | Fascetta | Clamp |
| 12 | 12180290 | 2 | Fascetta | Clip | 22 | 135951 | 1 | Raccordo - Per C8 | Union - For C8 |



3.2 MONDIAL

INIEZIONE ARIA - Per Versione CH86 e CH87
AIR - INJECTION - For CH86 and CH87 Version

TAV. 10
 DATA: OTTOBRE 87

01613

TAVOLA 10

| Rif. | Dis. No. Part No. | Q.ty | DENOMINAZIONE | DESCRIPTION |
|------|----------------------|------|------------------------------|----------------------------------|
| 1 | 121751 | 1 | Valvola Cut-Off | Cut-Off valve |
| 2 | 129059 | 1 | Elettrovalvola | Solenoid valve |
| 3 | 128011 | 2 | Single check valve | Single check valve |
| 4 | 121808 | 1 | Tubo destro immisione aria | Right manifold for air injection |
| 5 | 121783 | 1 | Tubo sinistro immisione aria | Left manifold for air injection |
| 6 | 107812 | 1 | Tubo | Pipe |
| | | | Per Cabriolet vale n. 111707 | For Cabriolet vale no. 111707 |
| 7 | 12180290 | 4 | Fascetta | Clip |
| 8 | 129670 | 1 | Serbatoio di espansione | Expansion tank |
| 9 | 116783 | 1 | Manicotto | Sleeve |
| 10 | 12180290 | 2 | Fascetta | Clip |

| Rif. | Dis. No. Part No | Q.ty | DENOMINAZIONE | DESCRIPTION |
|------|---------------------|------|------------------------------|------------------------------|
| 11 | 118231 | 1 | Tubo | Pipe |
| 12 | 12180290 | 2 | Fascetta | Clip |
| 13 | 129931 | 1 | Raccordo a 3 vie | 3 - way union |
| 14 | 131042 | 1 | Tubo | Pipe |
| 15 | 131042 | 1 | Tubo | Pipe |
| 16 | 121718 | 8 | Raccordo | Union |
| 17 | 10257060 | 8 | Guarnizione | Gasket |
| 18 | 109885 | 1 | Tubo | Pipe |
| | | | Per Cabriolet vale n. 116786 | For Cabriolet use no. 116786 |
| 19 | 119811 | 2 | Fascetta | Clamp |

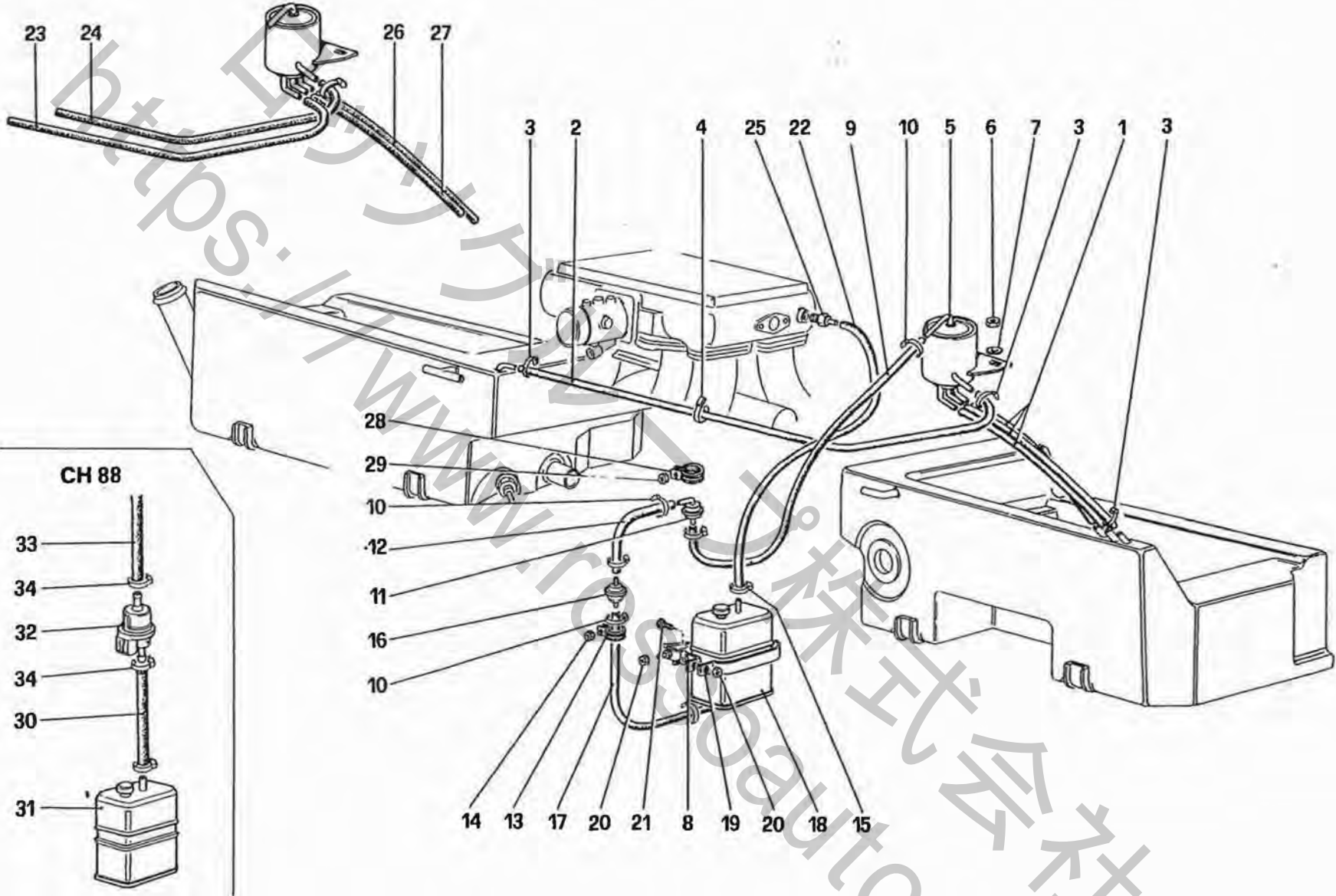
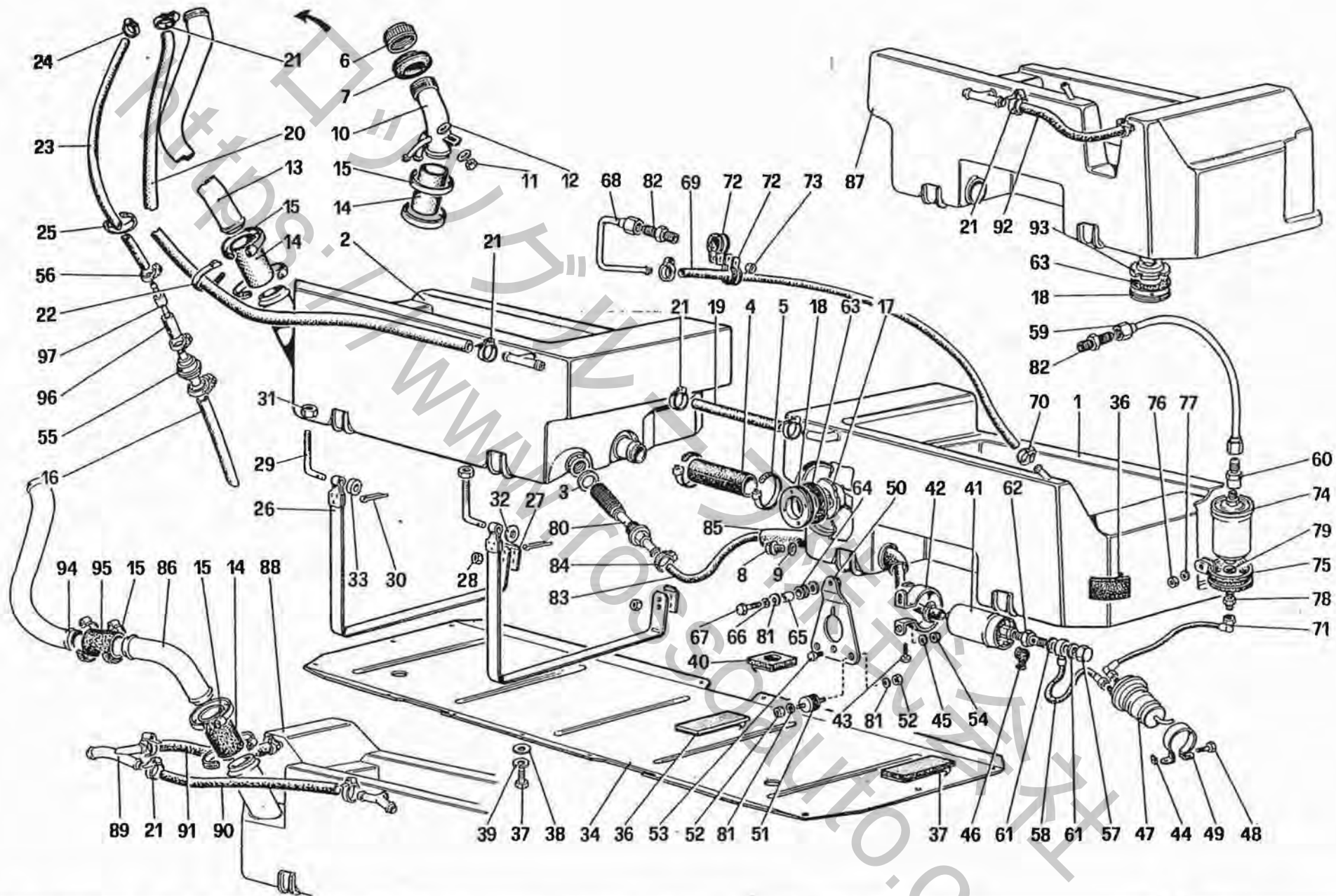


TAVOLA 11

| Rif. | Dis. No. Part No. | Q.ty | DENOMINAZIONE | DESCRIPTION | Rif. | Dis. No. Part No. | Q.ty | DENOMINAZIONE | DESCRIPTION |
|------|----------------------|------|---|--|------|----------------------|------|-------------------------------|--------------------------|
| 1 | 115371 | 3 | Tubo del serbatoio al separatore Per Cabriolet Q = 2 | Pipe from tank to separator For Cabriolet Q = 2 | 18 | 114675 | 1 | Filtro vapori combustibile | Charcoal carbon canister |
| 2 | 117154 | 1 | Tubo | Pipe | 19 | 121618 | 1 | Staffa sostegno filtro | Bracket for filter |
| 3 | 10175090 | 8 | Fascetta | Clip | 20 | 12574211 | 2 | Dado fissaggio staffe | Nut securing brackets |
| 4 | 105550 | 4 | Fascetta sostegno tubo | Clip holding pipe | 21 | 10902421 | 2 | Vite | Screw |
| 5 | 114846 | 1 | Separatore vapori | Vapor separator | 22 | 118318 | 1 | Tubo | Pipe |
| 6 | 12574211 | 2 | Dado | Nut | 23 | 120378 | 1 | (2) Tubo | (2) Pipe |
| 7 | 12643701 | 2 | Rondella | Washer | 24 | 114887 | 1 | (2) Tubo | (2) Pipe |
| 8 | 121619 | 1 | Staffa sostegno filtro | Bracket for filter | 25 | 117286 | 1 | Raccordo - Per USA | Union - For US |
| 9 | 117153 | 1 | Tubo | Pipe | 25 | 129839 | 1 | Raccordo - Per SA | Union - For SA |
| 10 | 10175090 | 6 | Fascetta | Clip | 26 | 123343 | 1 | (2) Tubo | (2) Pipe |
| 11 | 124193 | 1 | Valvola antideflusso | Anti-downflow valve | 27 | 114884 | 1 | (2) Tubo | (2) Pipe |
| 12 | 114877 | 1 | Tubo | Pipe | 28 | 124226 | 1 | Fascetta | Clip |
| 13 | 10441490 | 1 | Fascetta | Clip | 29 | 12574211 | 1 | Dado | Nut |
| 14 | 12574211 | 1 | Dado | Nut | 30 | 136246 | 1 | Tubo | Pipe |
| 15 | 12179090 | 2 | Fascetta | Clip | 31 | 135698 | 1 | Filtro vapori combustibile | Charcoal carbon canister |
| 16 | 114910 | 1 | Valvola ventilazione serbatoi | Valve for tank ventilation | 32 | 130978 | 1 | Valvola antievaporativa | Antievaporative valve |
| 17 | 117152 | 1 | Tubo | Pipe | 33 | 135144 | 1 | Tubo della valvola al polmone | Pipe |
| | | | | | 34 | 12179490 | 1 | Fascetta | Clamp |



3MONDIAL
3.2

POMPA E TUBAZIONI ALIMENTAZIONE - Non vale per versione USA -SA - CH88

FUEL PUMP AND PIPES - Not for US - SA and CH88 Version

TAV. 12

DATA: OTTOBRE 87

01520

TAVOLA 12

| Rif. | Dis. No. Part No. | Q.ty | DENOMINAZIONE | DESCRIPTION | Rif. | Dis. No. Part No. | Q.ty | DENOMINAZIONE | DESCRIPTION |
|------|----------------------|------|---|---------------------------------------|------|----------------------|------|--|--|
| 1 | 119068 | 1 | Serbatoio carburante Dx. | Right fuel tank | 51 | 102947 | 2 | Tassello elastico | Small block |
| 2 | 119069 | 1 | Serbatoio carburante Sx. | Left fuel tank | 52 | 12574211 | 4 | Dado autobloccante | Selflocking nut |
| 3 | 117884 | 1 | Guarnizione filtro carburante | Gasket for fuel filter | 53 | 10902221 | 4 | Vite fissaggio fascetta | Fixing screw for clamps |
| 4 | 116270 | 1 | Manicotto collegamento serbatoi | Tank connecting sleeve | 54 | 12574211 | 4 | Dado autobloccante | Selflocking nut |
| 5 | 12173890 | 2 | Fascetta per manicotto | Sleeve clamp | 55 | 120444 | 1 | Valvola ventilazione serbatoi | Valve |
| 6 | 113401 | 1 | Tappo per bocchettone | Cap for filler | 56 | 12179490 | 2 | Fascetta | Washer |
| 7 | 101465 | 1 | Guarnizione per bocchettone | Gasket for filler | 57 | 10183217 | 1 | Tappo | Plug |
| 8 | 10300771 | 1 | Tappo scarico carburante | Plug for fuel drain | 58 | 123022 | 1 | Tube benzina pompa - accumulatore | Pipe from pump to accumulator |
| 9 | 10278650 | 1 | Guarnizione tappo scarico | Gasket for drain plug | | | | Per Cabriolet vale n. 123028 | For Cabriolet use no.123028 |
| 10 | 116406 | 1 | Bocchettone di carico serbatoi | Tank filler | 59 | 128469 | 1 | Tube benzina dal filtro al dosatore | Pipe from filter to metering device |
| | | | Per Cabriolet vale n. 123368 | For Cabriolet use no. 123368 | | | | Per Cabriolet vale n. 128481 | For Cabriolet use no.128481 |
| 10 | 132341 | 1 | Bocchettone di carico serbatoi - Per C7 | Tank filler - For C7 | 60 | 125216 | 1 | Raccordo | Union |
| 10 | 132431 | 1 | Bocchettone di carico serbatoi - Per C7 Cabriolet | Tank filler - For C7 Cabriolet | 61 | 11270160 | 2 | Guarnizione | Gasket |
| 11 | 12574221 | 1 | Dado autobloccante | Selflocking nut | 62 | 120098 | 1 | Valvola non ritorno | Non return valve |
| 12 | 109684 | 2 | Rondella | Washer | 63 | 116792 | 1 | Guarnizione - Solo con 116045 e 121934 | Gasket - Only for 116045 and 121934 |
| 13 | 116405 | 1 | Tube | Pipe | 63 | 132132 | 1 | Guarnizione - Solo con 132133 | Gasket - Only for 132133 |
| 14 | 114278 | 2 | Manicotto | Sleeve | 64 | 103549 | 1 | Tassello elastico | Small block |
| 15 | 12174790 | 4 | Fascetta - Per Cabriolet q = 6 | Clamp - For Cabriolet q = 6 | 65 | 103550 | 1 | Distanziale | Spacer |
| 16 | 116770 | 1 | Tube per sfiato | Pipe | 66 | 106850 | 1 | Rondella | Washer |
| 17 | 116045 | 1 | Comando indicatore livello carburante | Control for fuel level gauge | 67 | 10902621 | 1 | Vite | Screw |
| 18 | 121435 | 1 | Ghiera fissaggio comando indicatore livello | Ring nut fixing control of fuel level | 68 | 128471 | 1 | Tube riflusso benzina - Per Cabriolet vale n. 128483 | Fuel reflux pipe - For Cabriolet use no. 128483 |
| 19 | 114916 | 1 | Tube collegamento sfiato serbatoi | Tank breather pipe | 69 | 116767 | 1 | Tube riflusso benzina - Per Cabriolet vale n. 118283 | Fuel reflux pipe - For Cabriolet use no. 118283 |
| | | | Per Cabriolet vale n. 120457 | For Cabriolet use no. 120457 | 70 | 12179490 | 2 | Fascetta | Clamp |
| 20 | 116852 | 1 | Tube collegamento sfiato serbatoi | Tank breather pipe | 71 | 117952 | 1 | Tube dall'accumulatore al filtro | Pipe from accumulator to filter |
| | | | Per Cabriolet vale n. 120457 | For Cabriolet use no. 120457 | | | | Per Cabriolet vale n. 121156 | For Cabriolet use no. 121156 |
| 21 | 12179590 | 4 | Fascetta - Per Cabriolet q = 10 | Clamp - For Cabriolet q = 10 | 72 | 10441190 | 4 | Fascetta | Clamp |
| 22 | 105550 | 1 | Fascetta | Clamp | 73 | 12574211 | 2 | Dado autobloccante | Selflocking nut |
| 23 | 119376 | 1 | Tube sfiato bocchettone | Pipe | 74 | 115738 | 1 | Filtro carburante | Fuel filter |
| 24 | 12179090 | 1 | Fascetta | Clamp | 75 | 115140 | 1 | Staffa con guaina fissaggio filtro | Sheathed bracket for filter |
| 25 | 40135402 | 5 | Fascetta | Clamp | 76 | 161041111 | 1 | Dado autobloccante | Selflocking nut |
| 26 | 115732 | 4 | Nastro fiss. serbatoi | Strap securing fuel tank | 77 | 135550301 | 1 | Rondella | Washer |
| 27 | 115734 | 4 | Piastrina fiss. nastro | Plate, securing strap | 78 | 109797 | 1 | Raccordo | Union piece |
| 28 | 12575411 | 8 | Dado autobloccante | Selflocking nut | 79 | 113910 | 1 | Guarnizione | Gasket |
| 29 | 12311271 | 4 | Tirante per nastro | Tie rod for strap | 80 | 116404 | 1 | Filtro carburante | Filter on tank |
| 30 | 10796401 | 4 | Copiglia | Split pin | 81 | 12643701 | 6 | Rondella | Washer |
| 31 | 16104121 | 4 | Dado autobloccante | Selflocking nut | 82 | 125215 | 2 | Raccordo | Union |
| 32 | 10519601 | 2 | Rondella | Washer | 83 | 119184 | 1 | Tube | Pipe |
| 33 | 13605911 | 2 | Distanziale | Spacer | 84 | 12179550 | 2 | Fascetta | Clamp |
| 34 | 119182 | 1 | Placchetta serbatoi | Plate for tanks | 85 | 119183 | 1 | Tube di protezione | Protection pipe |
| 35 | 116566 | 4 | Spessore esterno | Outer shim | 86 | 121486 | 1 | (2) Tube | (2) Pipe |
| 36 | 115330 | 18 | Spessore interno e sui serbatoi | Inner shim and on tanks | 87 | 129281 | 1 | (2) Serbatoio carburante Dx. | (2) Right fuel tank |
| 37 | 10902121 | 13 | Vite | Screw | 88 | 129282 | 1 | (2) Serbatoio carburante Sx. | (2) Left fuel tank |
| 38 | 12643701 | 13 | Rondella tranciata | Sheared washer | 89 | 123373 | 1 | (2) Tre vie | (2) 3 way |
| 39 | 106850 | 13 | Rondella elastica | Spring washer | 90 | 115137 | 1 | (2) Tube | (2) Pipe |
| 40 | 116585 | 2 | Guarnizione | Gasket | 91 | 117873 | 1 | (2) Tube | (2) Pipe |
| 41 | 121727 | 1 | Pompa benzina | Fuel pump | 92 | 119281 | 1 | (2) Tube | (2) Pipe |
| 42 | 113673 | 1 | Fascetta tenuta pompa benzina | Seal clamp for fuel pump | 93 | 121934 | 1 | (2) Comando indicatore livello carburante - Fino vettura n. 67851 | (2) Control for fuel level gauge Until car no. 67851 |
| 43 | 10377311 | 1 | Vite registro tensione fascetta | Adjust screw for clamp tension | | | | (2) Comando indicatore livello carburante - Dalla vettura n. 67853 | (2) Control for fuel level gauge From car no. 67853 |
| 44 | 14089311 | 2 | Dado quadro | Square nut | 94 | 121485 | 1 | (2) Tube | (2) Pipe |
| 45 | 10519421 | 2 | Rondella | Washer | 95 | 117618 | 1 | (2) Manicotto | (2) Sleeve |
| 46 | 107003 | 2 | Cappuccetto protezione morsetti | Protective cap for terminals | 96 | 133337 | 1 | Manicotto | Sleeve |
| 47 | 113978 | 1 | Accumulatore | Accumulator | 97 | 133338 | 1 | Raccordo | Union |
| 48 | 10376111 | 1 | Vite registro tensione fascetta | Adjusting screw for clamp tension | | | | | |
| 49 | 113674 | 1 | Fascetta tenuta accumulatore | Seal clamp for accumulator | | | | | |
| 50 | 11917P | 1 | Supporto pompa benzina | Support fuel pump | | | | | |

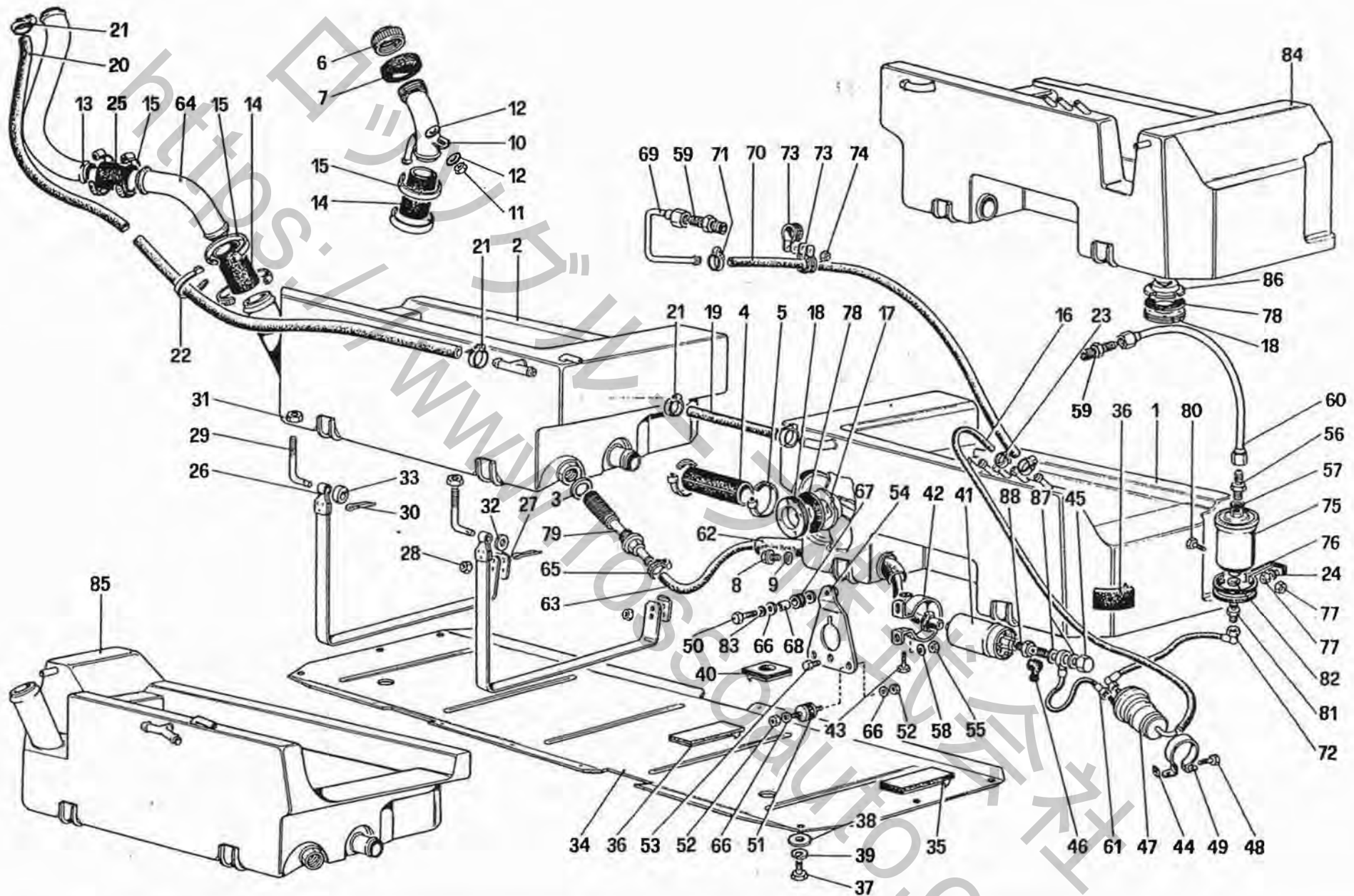
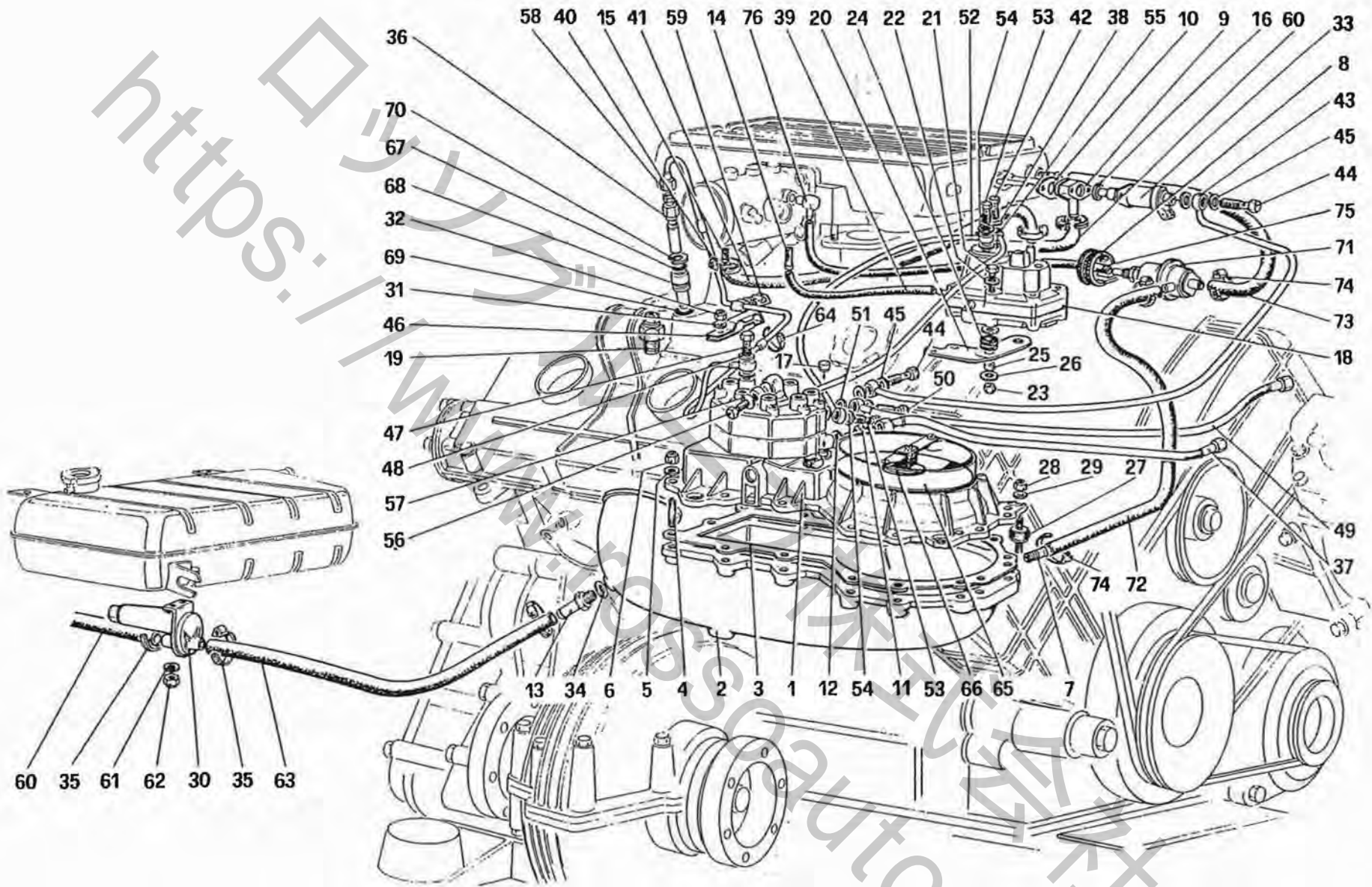


TAVOLA 13

| Rif. | Dis. No. Part No. | Q.ty | DENOMINAZIONE | DESCRIPTION |
|------|----------------------|------|--|--|
| 1 | 119086 | 1 | Serbatoio carburante Dx. | Right fuel tank |
| 2 | 119087 | 1 | Serbatoio carburante Sx. | Left fuel tank |
| 3 | 117884 | 1 | Guarnizione filtro carburante | Gasket for fuel filter |
| 4 | 116270 | 1 | Manicotto collegamento serbatoi | Tank connecting sleeve |
| 5 | 12173890 | 2 | Fascetta per manicotto | Sleeve clamp |
| 6 | 113401 | 1 | Tappo per bocchettone | Cap for filler |
| 7 | 101465 | 1 | Guarnizione per bocchettone | Gasket for filler |
| 8 | 10300771 | 1 | Tappo scarico carburante | Plug for fuel drain |
| 9 | 10278650 | 1 | Guarnizione tappo scarico | Gasket for drain plug |
| 10 | 116986 | 1 | Bocchettone - Per SA vale n. 119318 Per Cabriolet vale n. 121481 Per Cabriolet SA vale n. 130066 | Tank filler - For SA use no. 119318 For Cabriolet use no. 121481 For Cabriolet SA use no. 130066 |
| 11 | 12574221 | 1 | Dado autobloccante | Selflocking nut |
| 12 | 109684 | 2 | Rondella | Washer |
| 13 | 117816 | 1 | Tubo - Per Cabriolet vale n. 121485 | Pipe - For Cabriolet use no. 121485 |
| 14 | 114278 | 2 | Manicotto | Sleeve |
| 15 | 12174790 | 6 | Fascetta | Clamp |
| 16 | 117163 | 1 | Tubo recupero benzina Per Cabriolet vale n. 116758 | Fuel recovery pipe For Cabriolet use no. 116758 |
| 17 | 116045 | 1 | Comando indicatore livello carburante | Control for fuel level gauge |
| 18 | 121435 | 1 | Ghiera fissaggio comando indicatore livello | Ring nut fixing control of fuel level gauge |
| 19 | 114916 | 1 | Tubo collegamento sfiato serbatoi Per Cabriolet vale n. 120457 | Tank breather pipe For Cabriolet use no. 120457 |
| 20 | 116852 | 1 | Tubo collegamento sfiato serbatoi Per Cabriolet vale n. 120469 | Tank breather pipe For Cabriolet use no. 120469 |
| 21 | 12179590 | 4 | Fascetta | Clamp |
| 22 | 105550 | 1 | Fascetta | Clamp |
| 23 | 12179490 | 2 | Fascetta | Clamp |
| 24 | 13550301 | 1 | Rondella | Washer |
| 25 | 117618 | 1 | Manicotto | Sleeve |
| 26 | 115732 | 4 | Nastro fiss. serbatoi | Strap securing fuel tank |
| 27 | 115734 | 4 | Piastrina fiss. nastro | Plate, securing strap |
| 28 | 12575411 | 8 | Dado autobloccante | Selflocking nut |
| 29 | 12311271 | 4 | Tirante per nastro | Tie rod for strap |
| 30 | 10796401 | 4 | Copiglia | Split pin |
| 31 | 16104121 | 4 | Dado autobloccante | Selflocking nut |
| 32 | 10519601 | 2 | Rondella | Washer |
| 33 | 13605911 | 2 | Distanziale | Spacer |
| 34 | 119182 | 1 | Paratia protezione serbatoi | Protective plate for tanks |
| 35 | 116566 | 4 | Spessore esterno | Outer shim |
| 36 | 115330 | 18 | Spessore interno e sui serbatoi | Inner shim and on tanks |
| 37 | 10902121 | 13 | Vite | Screw |
| 38 | 12643701 | 13 | Rondella tranciata | Sheared washer |
| 39 | 106850 | 13 | Rondella elastica | Spring washer |
| 40 | 116585 | 2 | Guarnizione | Gasket |
| 41 | 121727 | 1 | Pompa benzina | Fuel pump |
| 42 | 113673 | 1 | Fascetta tenuta pompa benzina | Seal clamp for fuel pump |
| 43 | 10377311 | 1 | Vite registro tensione fascetta | Adjust screw for clamp tension |
| 44 | 14089311 | 2 | Dado quadro | Square nut |
| 45 | 10183217 | 1 | Tappo | Plug |
| 46 | 107003 | 2 | Cappuccetto protezione morsetti | Protective cap for terminals |
| 47 | 113978 | 1 | Accumulatore | Accumulator |
| 48 | 10376111 | 1 | Vite registro tensione fascetta | Adjusting screw for clamp tension |
| 49 | 113674 | 1 | Fascetta tenuta accumulatore | Seal clamp for accumulator |

| Rif. | Dis. No. Part No. | Q.ty | DENOMINAZIONE | DESCRIPTION |
|------|----------------------|------|--|---|
| 50 | 10902621 | 1 | Vite | Screw |
| 51 | 102947 | 2 | Tassello elastico | Small block |
| 52 | 12574211 | 4 | Dado autobloccante | Selflocking nut |
| 53 | 10902221 | 4 | Vite fissaggio fascetta | Fixing screw for clamp |
| 54 | 119178 | 1 | Supporto pompa benzina | Support |
| 55 | 12574211 | 4 | Dado autobloccante | Selflocking nut |
| 56 | 127756 | 1 | Raccordo | Union piece |
| 57 | 10298460 | 1 | Guarnizione | Gasket |
| 58 | 10519421 | 2 | Rondella | Washer |
| 59 | 125215 | 2 | Raccordo | Union |
| 60 | 128474 | 1 | Tubo benzina dal filtro al dosatore - No per C8 | Pipe from filter to metering device - Not for C8 |
| 60 | 128469 | 1 | Tubo benzina dal filtro al dosatore - Per C8 Per Cabriolet n. 128481 | Pipe from filter to metering device - For C8 For Cabriolet no. 128481 |
| 61 | 123022 | 1 | Tubo benzina pompa ad accumulatore - No per C8 Per Cabriolet n. 123028 - No per C8 | Pipe from pump to accumulator - Not for C8 For Cabriolet no. 123028 - Not for C8 |
| 61 | 118393 | 1 | Tubo benzina pompa ad accumulatore - Per C8 Per Cabriolet n. 136213 - Per C8 | Pipe from pump to accumulator - For C8 For Cabriolet no. 136213 - For C8 |
| 62 | 119183 | 1 | Tubo di protezione | Protection pipe |
| 63 | 119184 | 1 | Manicotto lato pompa | Sleeve, pump side |
| 64 | 117817 | 1 | Tubo - Per Cabriolet vale n. 121486 | Pipe - For Cabriolet no. 121486 |
| 65 | 12179590 | 2 | Fascetta | Clamp |
| 66 | 12643701 | 6 | Rondella | Washer |
| 67 | 103549 | 1 | Tassello elastico | Small block |
| 68 | 103550 | 1 | Distanziale | Spacer |
| 69 | 128471 | 1 | Tubo riflusso benzina Per Cabriolet vale n. 128483 | Fuel reflux pipe For Cabriolet use no. 128483 |
| 70 | 114881 | 1 | Tubo in gomma riflusso benzina Per Cabriolet vale n. 118283 | Fuel reflux pipe For Cabriolet use no. 118283 |
| 71 | 12179490 | 2 | Fascetta | Clamp |
| 72 | 117952 | 1 | Tubo dall'accumulatore al filtro - No per C8 Per Cabriolet vale n. 121156 - No per C8 | Pipe from accumulator to filter - Not for C8 For Cabriolet use no. 121156 - Not for C8 |
| 72 | 136306 | 1 | Tubo dall'accumulatore al filtro - Per C8 Per Cabriolet vale n. 136228 - Per C8 | Pipe from accumulator to filter - For C8 For Cabriolet use no. 136228 - For C8 |
| 73 | 10441190 | 4 | Fascetta | Clamp |
| 74 | 12574211 | 2 | Dado autobloccante | Selflocking nut |
| 75 | 117792 | 1 | Filtro carburante | Fuel filter |
| 76 | 117954 | 1 | (1) Staffa con guaina fissaggio filtro | (1) Sheathed bracket to filter |
| 76 | 117791 | 1 | (2) Staffa con guaina fissaggio filtro | (2) Sheathed bracket to filter |
| 77 | 16104121 | 2 | Dado autobloccante | Selflocking nut |
| 78 | 116792 | 1 | Guarnizione - Solo per 116045 e 121934 | Gasket - Only for 116045 and 121934 |
| 78 | 132132 | 1 | Guarnizione - Solo per 132133 | Gasket - Only for 132133 |
| 79 | 116404 | 1 | Filtro sul serbatoio | Filter on tank |
| 80 | 16043221 | 1 | Bullone | Boil |
| 81 | 109889 | 1 | Raccordo | Union piece |
| 82 | 10280060 | 1 | Guarnizione | Gasket |
| 83 | 106850 | 1 | Rondella | Washer |
| 84 | 127177 | 1 | (2) Serbatoio carburante Dx. | (2) Right fuel tank |
| 85 | 127178 | 1 | (2) Serbatoio carburante Sx. | (2) Left fuel tank |
| 86 | 121934 | 1 | (2) Comando indicatore livello carburante Fino vettura n. 67851 | (2) Control for fuel level gauge Until car no. 67851 |
| 86 | 132133 | 1 | (2) Comando indicatore livello carburante Dalla vettura n. 67853 | (2) Control for fuel level gauge From car no. 67853 |
| 87 | 11270160 | 2 | Guarnizione | Gasket |
| 88 | 120098 | 1 | Valvola di non ritorno | Check valve |



3.2 MONDIAL

RIPARTITORE CARBURANTE E TUBAZIONI - Non vale per versione USA e CH88

FUEL INJECTION SYSTEM - FUEL DISTRIBUTORS LINES - Not for US - and CH88 Version

TAV. 14

DATA: OTTOBRE 87

01818

TAVOLA 14

| Rif. | Dis. No. Part No. | Q.ty | DENOMINAZIONE | DESCRIPTION |
|------|----------------------|------|---------------------------------------|---------------------------------------|
| 1 | 121745 | 1 | Dosatore | Metering device |
| - | 127159 | - | Supporto dosatore completo | Support for metering device, complete |
| 2 | 127157 | 1 | Supporto dosatore | Support for metering device |
| - | 129645 | 1 | Col complessivo n. 127159 | With unit no. 127159 |
| - | 129645 | 1 | Supporto dosatore completo | Support for metering device, complete |
| - | 129645 | 1 | Solo per CH | For CH |
| 2 | 129644 | 1 | Supporto dosatore | Support for metering device |
| - | 129644 | 1 | Col complessivo n. 129645 | With unit no. 129645 |
| 3 | 115011 | 1 | Guarnizione | Gasket |
| 4 | 13541121 | 15 | Prigioniero | Stud |
| 5 | 12601271 | 15 | Rondella | Washer |
| 6 | 12574211 | 15 | Dado | Nut |
| 7 | 112030 | 1 | Raccordo | Union |
| 8 | 117437 | 2 | Fascetta | Clamp |
| 9 | 121056 | 1 | Raccordo - Per CH vale n. 115004 | Union - For CH use no. 115004 |
| - | 115005 | 1 | Guarnizione | Gasket |
| 11 | 115498 | 1 | Raccordo col filtro | Union with filter |
| 12 | 11270160 | 1 | Guarnizione | Gasket |
| 13 | 116860 | 1 | Raccordo filettato | Threaded union |
| - | 116860 | 1 | Per CH vale n. 130860 | For CH use no. 130860 |
| 14 | 113637 | 1 | Raccordo filettato | Threaded union |
| 15 | 113652 | 1 | Raccordo filettato | Threaded union |
| 16 | 103039 | 1 | Anello di tenuta | Sealing ring |
| 17 | 115650 | 1 | Cappuccio inviolabilità | Inviolability cap |
| 18 | 119825 | 1 | Regolatore fase riscaldamento | Warm up regulator |
| 19 | 113980 | 1 | Interruttore termico a tempo | Time thermal switch |
| - | 113980 | 1 | Per CH vale n. 118790 | For CH use no. 118790 |
| 20 | 118291 | 1 | Supporto | Support |
| 21 | 10903821 | 2 | Vite | Screw |
| 22 | 12604271 | 2 | Rondella | Washer |
| 23 | 12574211 | - | Dado | Nut |
| 24 | 103549 | - | Gommino | Grommet |
| 25 | 103550 | - | Distanziale | Spacer |
| 26 | 12643701 | - | Rondella | Washer |
| 27 | 102947 | 3 | Supporto antivibrante | Vibration damping support |
| 28 | 12575411 | 3 | Dado | Nut |
| 29 | 12601271 | 2 | Rondella | Washer |
| - | 12640601 | 1 | Rondella liss. supporto al telaio | Washer |
| 30 | 120222 | 1 | Valvola aria supplementare | Additional air valve |
| - | 120222 | 1 | Per CH vale n. 121744 | For CH use no. 121744 |
| 31 | 11197771 | 1 | Rondella | Washer |
| 32 | 12575490 | 1 | Dado | Nut |
| 33 | 115739 | 1 | Iniettore avviamento | Auxiliary starting assembly |
| 34 | 10280060 | 1 | Guarnizione - Per CH vale n. 10259960 | Gasket - For CH use no. 10259960 |
| 35 | 12179590 | 4 | Fascetta | Clamp |
| - | 12179590 | 4 | Per CH vale n. 12180290 | For CH use no. 12180290 |
| 36 | 113975 | 8 | Iniettore | Injector |
| 37 | 118401 | 1 | Tubo arrivo carburante | Pipe from fuel tank |
| 38 | 10260160 | 2 | Guarnizione | Gasket |
| 39 | 115002 | 1 | Tubo | Pipe |

| Rif. | Dis. No. Part No. | Q.ty | DENOMINAZIONE | DESCRIPTION |
|------|----------------------|------|--|---|
| 40 | 12179190 | 2 | Fascetta | Clamp |
| 41 | 118293 | 1 | Tubo | Pipe |
| 42 | 113670 | 1 | Bocchettone | Union |
| 43 | 118410 | 1 | Tubo | Pipe |
| 44 | 113664 | 2 | Bocchettone | Union |
| 45 | 14330260 | 4 | Rondella in rame | Washer |
| 46 | 115417 | 1 | Staffa reggi-morsetto | Bracket for clamp |
| 47 | 113670 | 8 | Bocchettone | Union |
| 48 | 10260160 | 16 | Guarnizione | Gasket |
| 49 | 118393 | 1 | Tubo riflusso | Return pipe |
| 50 | 111644 | 1 | Bocchettone | Union |
| 51 | 113910 | 2 | Guarnizione | Gasket |
| 52 | 118398 | 1 | Tubo riflusso dal regolatore | Return pipe from regulator |
| 53 | 113664 | 2 | Bocchettone | Union |
| 54 | 14330260 | 4 | Guarnizione | Gasket |
| 55 | 118397 | 1 | Tubo mandata al regolatore | Delivery pipe to regulator |
| 56 | 113664 | 1 | Bocchettone | Union |
| 57 | 14330260 | 1 | Guarnizione | Gasket |
| 58 | 118569 | 1 | Tubo dal dosatore al cilindro n. 3 | Pipe from metering device to cylinder 3 |
| - | 118567 | 1 | Tubo dal dosatore al cilindro n. 1 | Pipe from metering device to cylinder 1 |
| - | 118568 | 1 | Tubo dal dosatore al cilindro n. 2 | Pipe from metering device to cylinder 2 |
| - | 118570 | 1 | Tubo dal dosatore al cilindro n. 4 | Pipe from metering device to cylinder 4 |
| - | 118571 | 1 | Tubo dal dosatore al cilindro n. 5 | Pipe from metering device to cylinder 5 |
| - | 118572 | 1 | Tubo dal dosatore al cilindro n. 6 | Pipe from metering device to cylinder 6 |
| - | 118573 | 1 | Tubo dal dosatore al cilindro n. 7 | Pipe from metering device to cylinder 7 |
| - | 118574 | 1 | Tubo dal dosatore al cilindro n. 8 | Pipe from metering device to cylinder 8 |
| 59 | 115595 | 1 | Morsetto sostegno (4 tubi) | Support clamp (4 pipes) |
| - | 113896 | 1 | Morsetto sostegno (3tubi) | Support clamp (3 pipes) |
| - | 115418 | 1 | Morsetto sostegno (4 tubi) | Support clamp (4 pipes) |
| - | 117279 | 2 | Morsetto sostegno | Support clamp |
| 60 | 128204 | 1 | Tubo - Per CH vale n. 135117 | Pipe - For CH use no. 135117 |
| 61 | 12601271 | 2 | Rondella | Washer |
| 62 | 12574211 | 2 | Dado | Nut |
| 63 | 124442 | 1 | Tubo - Per CH vale n. 135118 | Pipe - For CH use no. 135118 |
| 64 | 110381 | 2 | Fascetta | Clamp |
| - | 111193 | 2 | Fascetta | Clamp |
| 65 | 120812 | 1 | Piattello regolazione flusso | Air sensor plate |
| 66 | 120809 | 1 | Rondella di sostegno | Washer |
| 67 | 113570 | 8 | Anello di tenuta | Sealing ring |
| 68 | 113309 | 8 | Bussola | Bushing |
| 69 | 101031 | 8 | Anello toroidale | Sealing ring |
| 70 | 103326 | 8 | Anello seeger | Seeger ring |
| 71 | 115741 | 1 | Valvola by - pass | Valve for by - pass |
| 72 | 121823 | 1 | Tubo dalla valvola al supporto | Hose from valve to support |
| 73 | 128309 | 1 | Tubo dalla valvola al corpo mandata aria | Pipe to valve from air delivery |
| 74 | 12179490 | 4 | Fascetta | Clamp |
| 75 | 124790 | 1 | Tubo | Pipe |
| 76 | 127164 | 1 | Raccordo | Union |
| 77 | 123478 | 1 | Fascetta | Clamp |

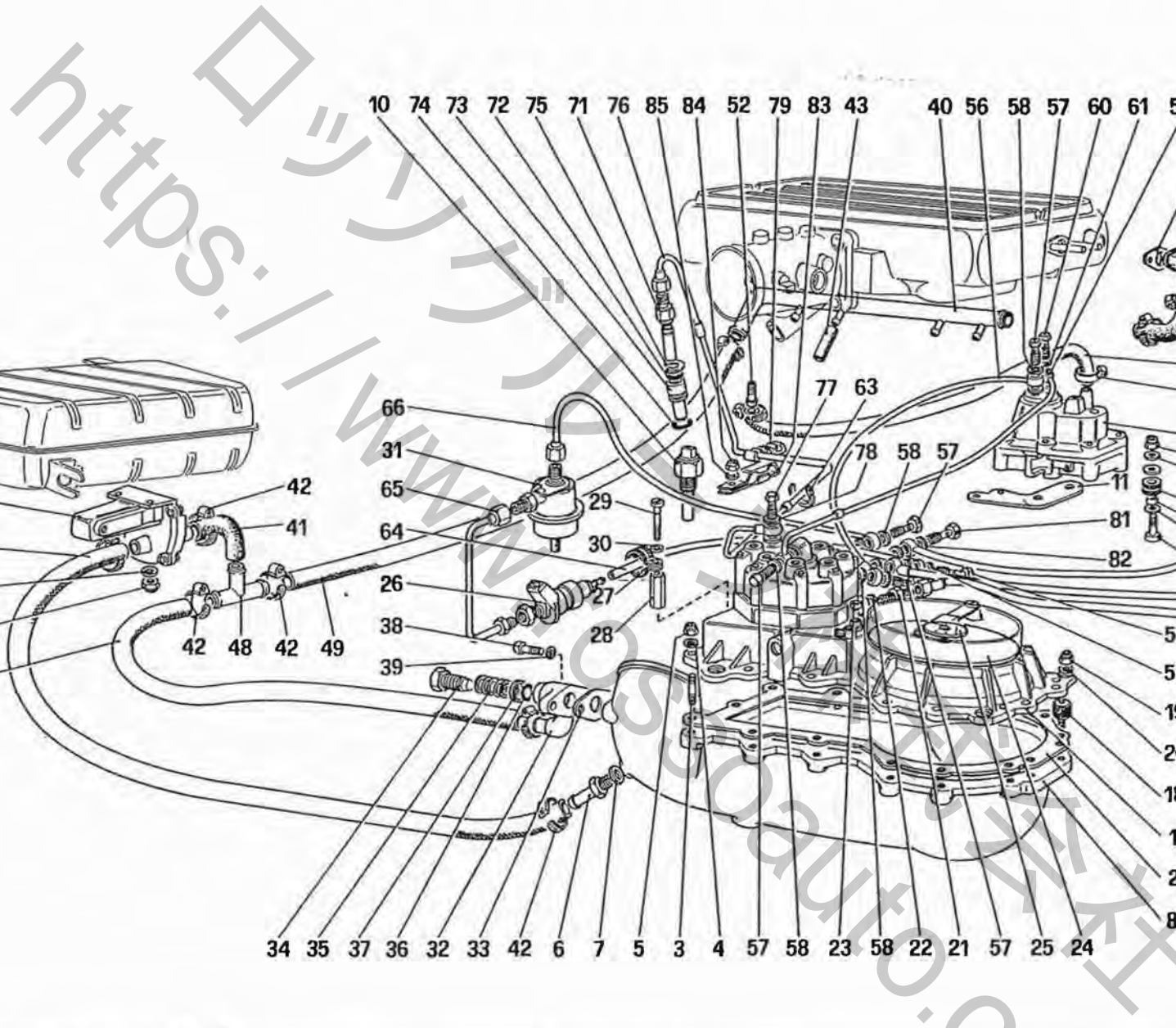


TAVOLA 15

| Rif. | Dis. No. Part No. | Q.ty | DENOMINAZIONE | DESCRIPTION | Rif. | Dis. No. Part No. | Q.ty | DENOMINAZIONE | DESCRIPTION |
|------|----------------------|------|--|---|------|----------------------|------|--|--|
| 1 | 121745 | 1 | Dosatore | Metering device | 49 | 135119 | 2 | Tubo | Pipe |
| 2 | 115011 | 1 | Guarnizione | Gasket | 50 | 118293 | 1 | Tubo | Pipe |
| 3 | 13541121 | 15 | Prigioniero | Stud | 51 | 12179190 | 2 | Fascetta | Clamp |
| 4 | 12601271 | 15 | Rondella | Washer | 52 | 113652 | 1 | Raccordo filettato | Threaded union |
| 5 | 12574211 | 15 | Dado | Nut | 53 | 118393 | 1 | Tubo riflusso | Return pipe |
| 6 | 115751 | 1 | Raccordo filettato | Threaded union | 54 | 121752 | 1 | Bocchettone | Pipe union |
| 7 | 10259960 | 1 | Guarnizione | Gasket | 55 | 113910 | 3 | Guarnizione | Gasket |
| - | 128028 | 1 | Supporto dosatore completo | Support for metering device, complete | 56 | 118398 | 1 | Tubo riflusso dal regolatore | Return pipe from regulator |
| 8 | 128027 | 1 | Supporto dosatore Col complessivo n. 128028 | Support for metering device With unit no. 128028 | 57 | 113664 | 4 | Bocchettone | Pipe union |
| 9 | 121743 | 1 | Regolatore fase riscaldamento | Warm-up regulator | 58 | 14330260 | 8 | Guarnizione | Gasket |
| 10 | 121778 | 1 | Interruttore termico a tempo | Termo-time switch | 59 | 118397 | 1 | Tubo mandata al regolatore | Delivery pipe to regulator |
| 11 | 118291 | 1 | Supporto | Support | 60 | 113670 | 1 | Bocchettone | Union |
| 12 | 14305521 | 2 | Vite | Screw | 61 | 10260160 | 2 | Guarnizione | Gasket |
| 13 | 12604271 | 2 | Rondella | Washer | 62 | 118401 | 1 | Tubo arrivo carburante | Pipe from fuel tank |
| 14 | 12574211 | 2 | Dado | Nut | 63 | 110381 | 4 | Fascetta | Clamp |
| 15 | 103549 | 2 | Tassello in gomma | Rubber small block | 64 | 121753 | 1 | Tubo dalla valvola di frequenza al dosatore | Pipe from frequency valve to metering device |
| 16 | 103550 | 2 | Distanziale | Spacer | 65 | 121755 | 1 | Tubo dalla valvola di frequenza allo smorzatore | Pipe from frequency valve to damper |
| 17 | 12643701 | 4 | Rondella | Washer | 66 | 121757 | 1 | Tubo dallo smorzatore al dosatore | Pipe from damper to metering device |
| 18 | 102947 | 3 | Supporto antivibrante | Vibration - damping support | 67 | 115474 | 1 | Iniettore avviamento | Auxiliary starting assembly |
| 19 | 12575411 | 3 | Dado | Nut | 68 | 103039 | 1 | Anello di tenuta | Sealing ring |
| 20 | 12601271 | 2 | Rondella | Washer | 69 | 115004 | 1 | Raccordo | Union |
| - | 12640601 | 1 | Rondella | Washer | 70 | 115005 | 1 | Guarnizione | Gasket |
| 21 | 115498 | 1 | Raccordo con filtro | Union with filter | 71 | 113975 | 8 | Iniettore | Injector |
| 22 | 11270160 | 1 | Guarnizione | Gasket | 72 | 113570 | 8 | Anello di tenuta | Sealing ring |
| 23 | 121571 | 1 | Tappo inviolabilità | Inviolability plug | 73 | 113309 | 8 | Bussola | Bush |
| 24 | 120810 | 1 | Piattello regolazione flusso | Air sensor plate | 74 | 101031 | 8 | Anello di tenuta | Sealing ring |
| 25 | 120809 | 1 | Rondella di sostegno | Washer | 75 | 103326 | 8 | Anello seeger | Seeger ring |
| 26 | 121513 | 1 | Valvola di frequenza | Frequency valve | 76 | 118569 | 1 | Tubo dal dosatore al cilindro n. 3 | Pipe from metering device to cylinder 3 |
| 27 | 121834 | 1 | Fascetta | Clamp | - | 118567 | 1 | Tubo dal dosatore al cilindro n. 1 | Pipe from metering device to cylinder 1 |
| 28 | 121836 | 1 | Colonna | Spacer | - | 118568 | 1 | Tubo dal dosatore al cilindro n. 2 | Pipe from metering device to cylinder 2 |
| 29 | 10979421 | 1 | Vite | Screw | - | 118570 | 1 | Tubo dal dosatore al cilindro n. 4 | Pipe from metering device to cylinder 4 |
| 30 | 106850 | 1 | Rondella | Washer | - | 118571 | 1 | Tubo dal dosatore al cilindro n. 5 | Pipe from metering device to cylinder 5 |
| 31 | 121514 | 1 | Smorzatore per valvola di frequenza | Damper for frequency valve | - | 118572 | 1 | Tubo dal dosatore al cilindro n. 6 | Pipe from metering device to cylinder 6 |
| 32 | 128158 | 1 | Corpo valvola regolazione flusso aria | Housing for air by-pass adjusting | - | 118573 | 1 | Tubo dal dosatore al cilindro n. 7 | Pipe from metering device to cylinder 7 |
| 33 | 128159 | 1 | Guarnizione | Gasket | - | 118574 | 1 | Tubo dal dosatore al cilindro n. 8 | Pipe from metering device to cylinder 8 |
| 34 | 119308 | 1 | Vite regolazione aria | Gasket | 77 | 113670 | 8 | Bocchettone | Pipe union |
| 35 | 113571 | 1 | Molla | Spring | 78 | 10260160 | 16 | Guarnizione | Gasket |
| 36 | 114919 | 1 | Anello di tenuta | Sealing ring | 79 | 115595 | 1 | Morsetto sostegno (4 tubi) | Support clamp (4 pipes) |
| 37 | 115204 | 1 | Piattello | Plate | - | 113896 | 1 | Morsetto sostegno (3 tubi) | Support clamp (3 pipes) |
| 38 | 14305221 | 2 | Vite | Screw | - | 115418 | 1 | Morsetto sostegno (4 tubi) | Support clamp (4 pipes) |
| 39 | 12604271 | 4 | Rondella | Washer | - | 117279 | 2 | Morsetto sostegno | Support clamp |
| 40 | 128242 | 1 | Tubo ripartitore aria | Air delivery pipe | 80 | 118410 | 1 | Tubo dosatore iniettore avviamento | Pipe metering device to auxiliary starting assembly |
| 41 | 123860 | 2 | Manicotto | Sleeve | 81 | 113664 | 2 | Bocchettone | Pipe union |
| 42 | 12180290 | 10 | Fascetta | Clamp | 82 | 14330260 | 4 | Guarnizione | Gasket |
| 43 | 121831 | 8 | Tubo | Pipe | 83 | 115417 | 1 | Staffa reggimorsetto | Bracker for clamp |
| 44 | 121744 | 1 | Valvola aria supplementare | Additional air valve | 84 | 12575411 | 1 | Dado | Nut |
| 45 | 12574211 | 2 | Dado | Nut | 85 | 11197771 | 1 | Rondella | Washer |
| 46 | 12601271 | 1 | Tubo | Pipe | | | | | |
| 47 | 135118 | 1 | Tubo | Pipe | | | | | |
| 48 | 109887 | 1 | Raccordo a 3 vie | 3 way union | | | | | |

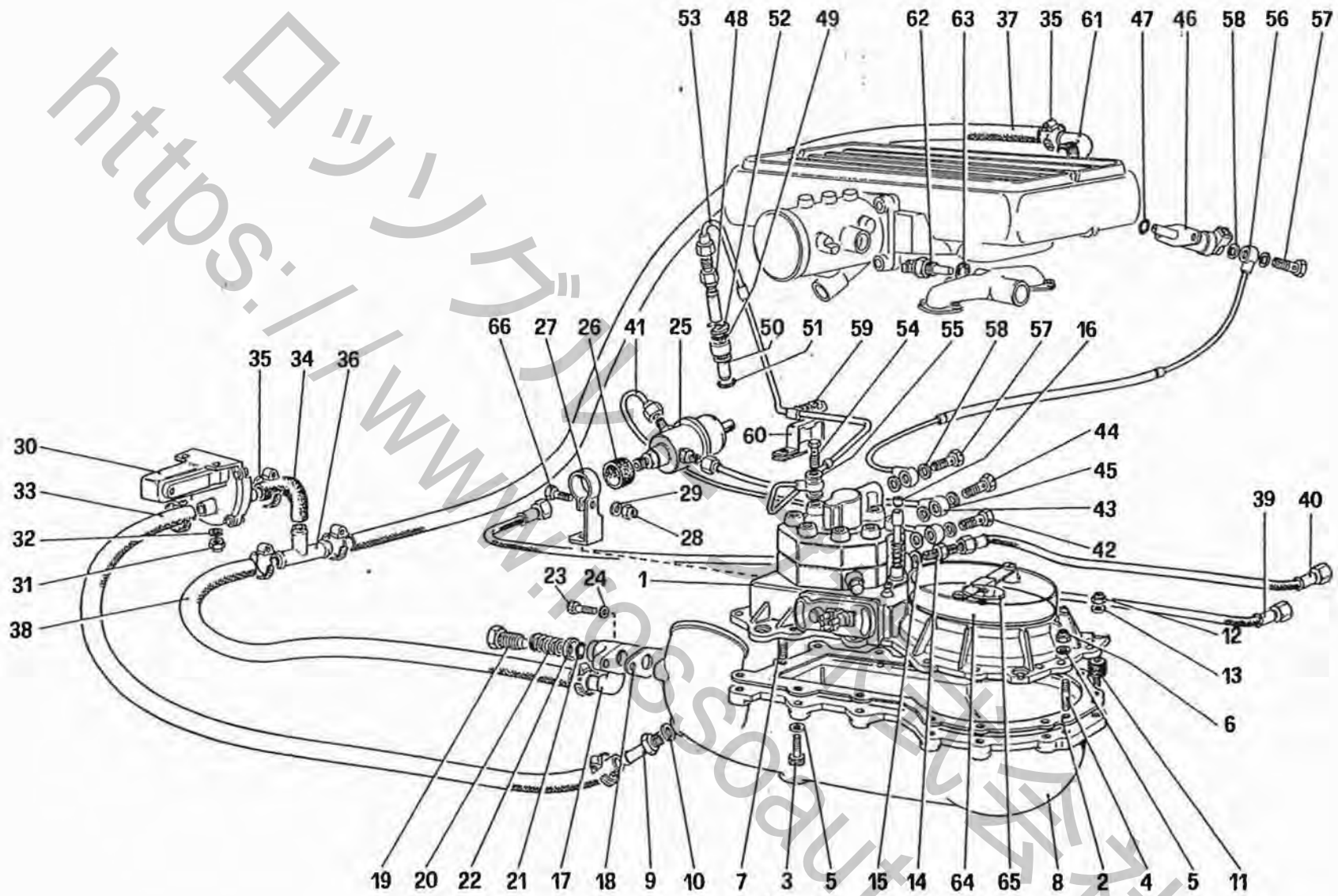


TAVOLA 16

| Rif. | Dis. No. Part No. | Q.ty | DENOMINAZIONE | DESCRIPTION | Rif. | Dis. No. Part No. | Q.ty | DENOMINAZIONE | DESCRIPTION |
|------|----------------------|------|---------------------------------------|---------------------------------------|------|----------------------|------|--------------------------------------|--|
| 1 | 127237 | 1 | Dosatore | Metering device | 38 | 135119 | 1 | Tubo dal 3 vie al corpo mandata aria | Pipe from 3 way to housing for air by-pass adjusting |
| 2 | 135096 | 1 | Guarnizione | Gasket | 39 | 136288 | 1 | Tubo riflusso dal regolatore | Return pipe to regulator |
| 3 | 14305321 | 3 | Vite | Screw | 40 | 136290 | 1 | Tubo mandata al dosatore | Delivery pipe to metering device |
| 4 | 13541121 | 11 | Prigioniero | Stud | 41 | 135069 | 1 | Tubo dal regolatore al dosatore | Pipe from regulator to metering device |
| 5 | 12601279 | 15 | Rondella | Washer | 42 | 113670 | 1 | Bocchettone | Union |
| 6 | 12574211 | 12 | Dado | Nut | 43 | 135067 | 1 | Tubo dal dosatore al regolatore | Pipe from metering device to regulator |
| 7 | 13541221 | 1 | Prigioniero | Stud | 44 | 111644 | 1 | Bocchettone | Union |
| - | 134993 | 1 | Supporto dosatore completo | Support for metering device, complete | 45 | 10296160 | 1 | Guarnizione | Gasket |
| 8 | 134886 | 1 | Supporto dosatore | Support for metering device | 46 | 128968 | 1 | Iniettore avviamento | Auxiliary starting assembly |
| 9 | 115751 | 1 | Raccordo | Union | 47 | 103039 | 1 | Anello di tenuta | Sealing ring |
| 10 | 10259960 | 1 | Guarnizione | Gasket | 48 | 129036 | 8 | Iniettore | Injector |
| 11 | 102947 | 3 | Supporto antivibrante | Vibration damping support | 49 | 113570 | 8 | Anello di tenuta | Sealing ring |
| 12 | 12575411 | 4 | Dado autobloccante | Selflocking nut | 50 | 113309 | 8 | Bussola | Bush |
| 13 | 12601279 | 4 | Rondella | Washer | 51 | 101031 | 8 | Anello di tenuta | Sealing ring |
| 14 | 115498 | 1 | Raccordo con filtro | Union with filter | 52 | 103326 | 8 | Anello seeger | Seeger ring |
| 15 | 11270160 | 1 | Guarnizione | Gasket | 53 | 135049 | 1 | Tubo dal dosatore al cilindro n. 3 | Pipe from metering device to cylinder 3 |
| 16 | 121571 | 1 | Tappo inviolabilità | Inviolability plug | - | 135046 | 1 | Tubo dal dosatore al cilindro n. 1 | Pipe from metering device to cylinder 1 |
| 17 | 128158 | 1 | Corpo valvola regolazione flusso aria | Housing for air by-pass adjusting | - | 135048 | 1 | Tubo dal dosatore al cilindro n. 2 | Pipe from metering device to cylinder 2 |
| 18 | 135095 | 1 | Guarnizione | Gasket | - | 135050 | 1 | Tubo dal dosatore al cilindro n. 4 | Pipe from metering device to cylinder 4 |
| 19 | 119308 | 1 | Vite regolazione aria | Air adjusting screw | - | 135051 | 1 | Tubo dal dosatore al cilindro n. 5 | Pipe from metering device to cylinder 5 |
| 20 | 113571 | 1 | Molla | Spring | - | 135052 | 1 | Tubo dal dosatore al cilindro n. 6 | Pipe from metering device to cylinder 6 |
| 21 | 114919 | 1 | Anello di tenuta | Sealing ring | - | 135053 | 1 | Tubo dal dosatore al cilindro n. 7 | Pipe from metering device to cylinder 7 |
| 22 | 115204 | 1 | Piattello | Plate | - | 135054 | 1 | Tubo dal dosatore al cilindro n. 8 | Pipe from metering device to cylinder 8 |
| 23 | 14305221 | 2 | Vite | Screw | 54 | 113670 | 8 | Bocchettone | Union |
| 24 | 12604271 | 2 | Rondella | Washer | 55 | 10260160 | 16 | Guarnizione | Gasket |
| 25 | 128972 | 1 | Regolatore di pressione | Pressure regulator | 56 | 135059 | 1 | Tubo dosatore iniettore avviamento | Pipe metering device to auxiliary starting assembly |
| 26 | 125825 | 1 | Boccola antivibrante | Anti-vibration bush | 57 | 113664 | 2 | Bocchettone | Union |
| 27 | 125770 | 1 | Supporto | Support | 58 | 14330260 | 4 | Guarnizione | Gasket |
| 28 | 12574211 | 1 | Dado autobloccante | Selflocking nut | 59 | 113896 | 2 | Morsetto sostegno | Support clamp |
| 29 | 12604271 | 1 | Rondella | Washer | 60 | 135079 | 2 | Staffa | Bracket |
| 30 | 121744 | 1 | Valvola aria supplementare | Additional air valve | 61 | 134493 | 1 | Raccordo | Union |
| 31 | 12574211 | 2 | Dado autobloccante | Selflocking nut | 62 | 125769 | 1 | Sensore temperatura acqua | Water temperature sensor |
| 32 | 12601271 | 2 | Rondella | Washer | 63 | 10298460 | 1 | Guarnizione | Gasket |
| 33 | 135118 | 1 | Tubo della valvola al supporto | Pipe from valve to support | 64 | 120810 | 1 | Piattello regolazione flusso | Air sensor plate |
| 34 | 123860 | 8 | Manicotto | Sleeve | 65 | 120809 | 1 | Rondella di sostegno | Washer |
| 35 | 12180290 | 1 | Fascella | Clamp | 66 | 10902421 | 1 | Vite | Screw |
| 36 | 109887 | 1 | Raccordo a 3 vie | 3 way union | | | | | |
| 37 | 135287 | 1 | Tubo dal 3 vie al corpo mandata aria | Pipe from 3 way to body air delivery | | | | | |

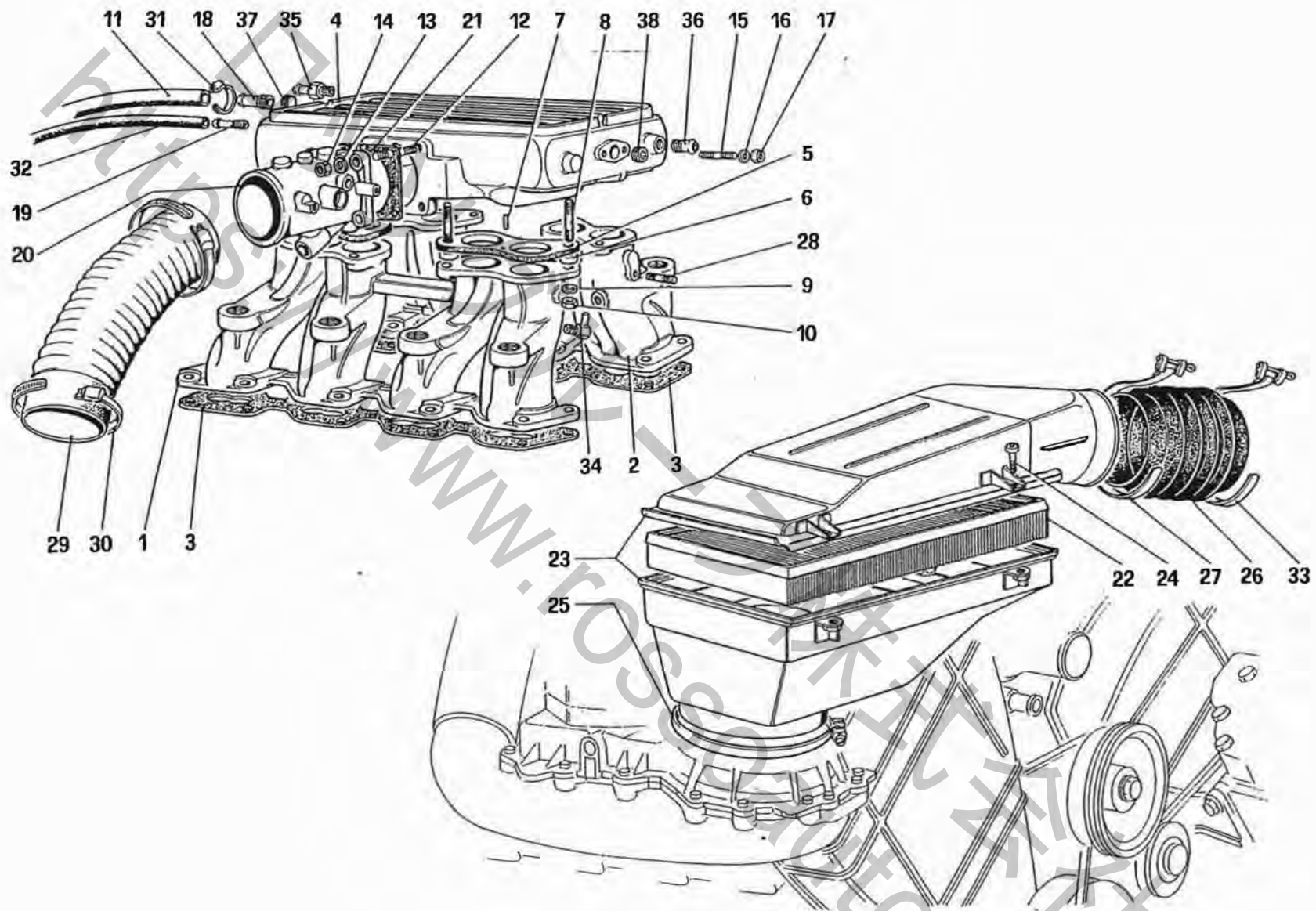


TAVOLA 17

| Rif. | Dis. No. Part No. | Q.ty | DENOMINAZIONE | DESCRIPTION | Rif. | Dis. No. Part No. | Q.ty | DENOMINAZIONE | DESCRIPTION |
|------|----------------------|------|---|--|------|----------------------|------|---|--|
| 1 | 128199 | 1 | Collettore aspirazione Dx. completo No per USA e C8 | Intake manifold, right complete Not for US and C8 | 15 | 13540821 | 2 | Prigioniero - Per C8 | Stud - For C8 |
| 1 | 128034 | 1 | Collettore aspirazione Dx. completo Solo per USA | Intake manifold, right complete For US | 16 | 12601271 | 2 | Rondella | Washer |
| 1 | 135032 | 1 | Collettore aspirazione Dx. completo Solo per C8 | Intake manifold, right complete For C8 | 17 | 12574211 | 2 | Dado | Nut |
| 2 | 128201 | 1 | Collettore aspirazione Sx. completo No per USA e C8 | Intake manifold, left complete Not for US and C8 | 18 | 103870 | 1 | (B) Raccordo presa depressione servofreno | (B) Nipple for intake servo - brake depression |
| 2 | 128035 | 1 | Collettore aspirazione Sx. completo Solo per USA | Intake manifold, left complete For US | 19 | 113652 | 1 | Raccordo per depressione centralina accensione | Nipple for depression on the central ignition station |
| 2 | 135033 | 1 | Collettore aspirazione Sx. completo Solo per C8 | Intake manifold, left complete For C8 | - | 128956 | - | Corpo farfalla completo No per USA e C8 | Complete throttle body Not for US and C8 |
| 3 | 117262 | 2 | Guarnizione - No per C8 | Gasket - Not for C8 | 20 | 127163 | 1 | Corpo farfalla - Non a ricambio Col complessivo n. 128956 | Throttle body - Not spare With assembly no. 128956 |
| 3 | 135093 | 2 | Guarnizione - Per C8 | Gasket - For C8 | - | 128957 | - | Corpo farfalla completo - Per USA | Complete throttle body For US |
| - | 127097 | - | (B) Corpo mandata aria ai collettori completo - No per USA | (B) Body, air delivery to manifolds complete - Not for US | 20 | 127899 | 1 | Corpo farfalla - Non a ricambio Col complessivo n. 128957 | Throttle body - Not spare With assembly no. 128957 |
| 4 | 128023 | 1 | Corpo mandata aria ai collettori Col complessivo n. 127097 | Body for air delivery to manifolds With assembly no. 127097 | - | 134985 | - | Corpo farfalla completo - Per C8 | Complete throttle body For C8 |
| - | 127544 | - | (B) Corpo mandata aria ai collettori completo - Solo per USA | (B) Body, air delivery to manifolds complete - For US | 20 | 134980 | 1 | Corpo farfalla - Non a ricambio Col complessivo n. 134985 | Throttle body - Not spare With assembly no. 134985 |
| 4 | 128203 | 1 | Corpo mandata aria ai collettori Col complessivo n. 127544 | Body for air delivery to manifolds With assembly no. 127544 | 21 | 115038 | 1 | Guarnizione - No per C8 | Gasket - Not for C8 |
| - | 133913 | 1 | (A) Corpo mandata aria ai collettori completo - No per USA | (A) Body, air delivery to manifolds complete - Not for US | 21 | 135098 | 1 | Guarnizione - Per C8 | Gasket - For C8 |
| 4 | 128023 | 1 | Corpo mandata aria ai collettori Col complessivo n. 133913 | Body air delivery to manifolds With assembly no. 133913 | 22 | 118006 | 1 | Elemento filtrante - No per C7 e C8 | Cartridge - Not for C7 and C8 |
| - | 133914 | 1 | (A) Corpo mandata aria ai collettori completo - Per USA | (A) Body air delivery to manifolds complete - For US | 22 | 132626 | 1 | Elemento filtrante - Per C7 e C8 | Cartridge - For C7 and C8 |
| 4 | 128023 | 1 | Corpo mandata aria ai collettori Col complessivo n. 133914 | Body air delivery to manifolds With assembly no. 133914 | 23 | 118313 | 1 | Presa aria - No per USA e C7 - C8 | Air inlet - Not for US - C7 and C8 |
| - | 133915 | 1 | (A) Corpo mandata aria ai collettori completo - Per C8 | (A) Body air delivery to manifolds complete - For C8 | 23 | 121736 | 1 | Presa aria - Per USA | Air inlet - For US |
| 4 | 134873 | 1 | Corpo mandata aria ai collettori Col complessivo n. 133915 | Body air delivery to manifolds With assembly no. 133915 | 23 | 132875 | 1 | Presa aria - Per C7 e C8 | Air inlet - For C7 and C8 |
| 5 | 114983 | 4 | Guarnizione | Gasket | 24 | 14305426 | 4 | Vite | Screw |
| 6 | 114984 | 8 | Distanziale | Spacer | 25 | 114996 | 1 | Fascetta | Clamp |
| 7 | 10331111 | 4 | Grano di centraggio | Centering dowel | 26 | 114019 | 1 | Manicotto - Per C7 e C8 vale n. 133152 | Sleeve - For C7 and C8 use no. 133152 |
| 8 | 13543521 | 8 | Prigioniero | Stud | 27 | 10300190 | 1 | Fascetta - No per C7 e C8 | Clamp - Not for C7 and C8 |
| 9 | 11198071 | 8 | Rondella | Washer | 28 | 11500021 | 1 | Prigioniero per staffa reggimorsetto | Stud |
| 10 | 16100811 | 8 | Dado | Nut | 29 | 118310 | 1 | Tubo dal supporto al corpo farfalla | Pipe from support throttle valve body |
| 11 | 107982 | 1 | (B) Tubo depressione servofreno | (B) Rubber hose for servo - brake depression | 30 | 12174990 | 2 | Fascetta | Clamp |
| 12 | 13541121 | 4 | Prigioniero | Stud | 31 | 12179590 | 1 | Fascetta | Clamp |
| 13 | 12601271 | 4 | Rondella | Washer | 32 | 128305 | 1 | Tubo depressione centralina accensione | Vacuum hose to digiplex |
| 14 | 12574211 | 4 | Dado | Nut | 33 | 10301890 | 1 | Fascetta - Per C7 e C8 Q = 2 | Clamp - For C7 and C8 Q = 2 |
| 15 | 13541621 | 2 | Prigioniero - No per C8 | Stud - Not for C8 | 34 | 128016 | 8 | Raccordo - Per USA | Union - For US |
| | | | | | 35 | 119466 | 1 | Raccordo per presa depressione blow-by e A.C. - No per USA | Nipple for blow-by and A.C. Not for US |
| | | | | | 35 | 119465 | 1 | Raccordo per presa A.C. No per USA | Nipple for A.C. Not for US |
| | | | | | 36 | 128208 | 1 | Raccordo - No per USA e SA | Union - Not for US and SA |
| | | | | | 37 | 10269550 | 1 | (A) Tappo | (A) Plug |
| | | | | | 38 | 10268450 | 1 | (A) Tappo - Per C8 | (A) Plug - For C8 |

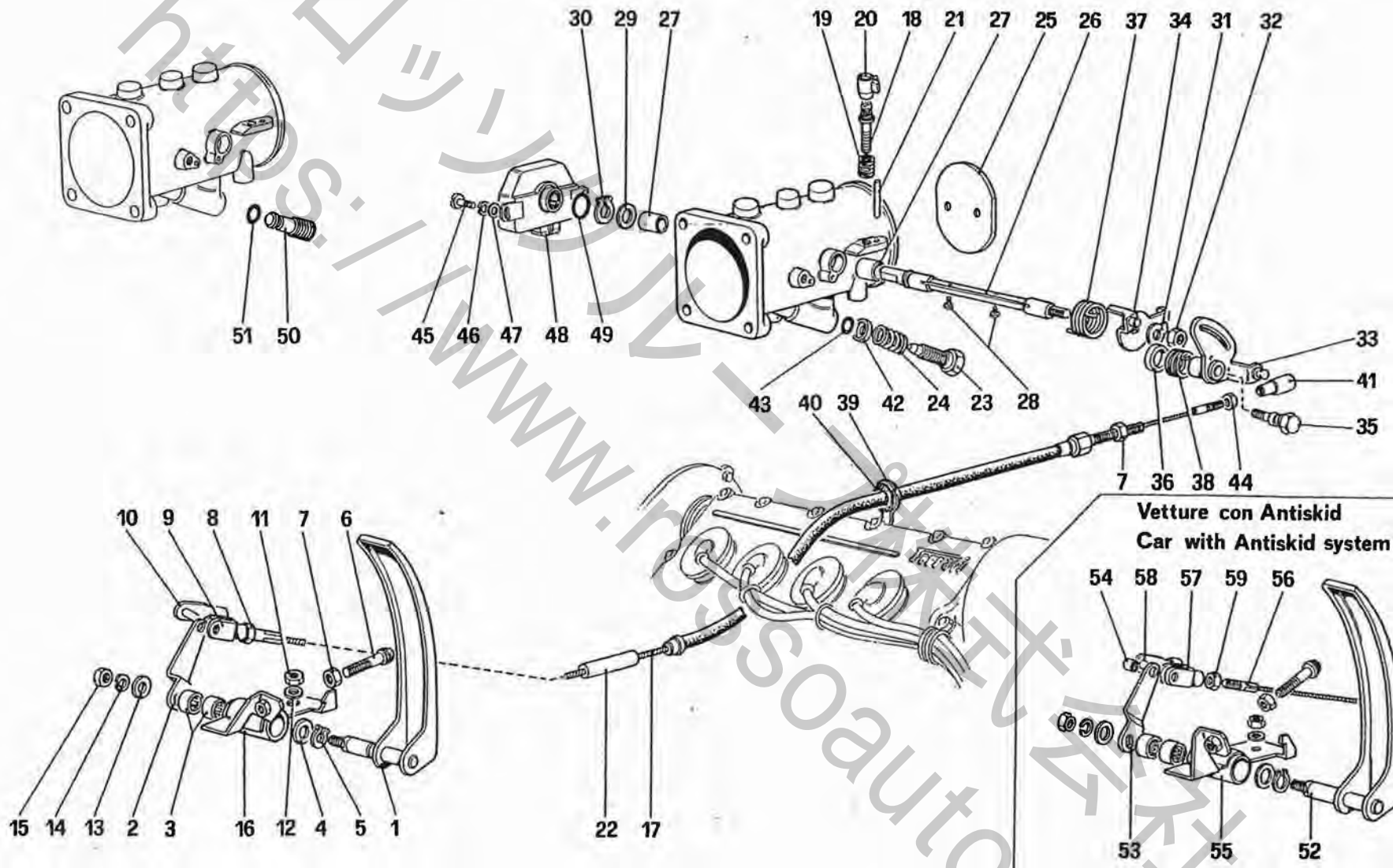
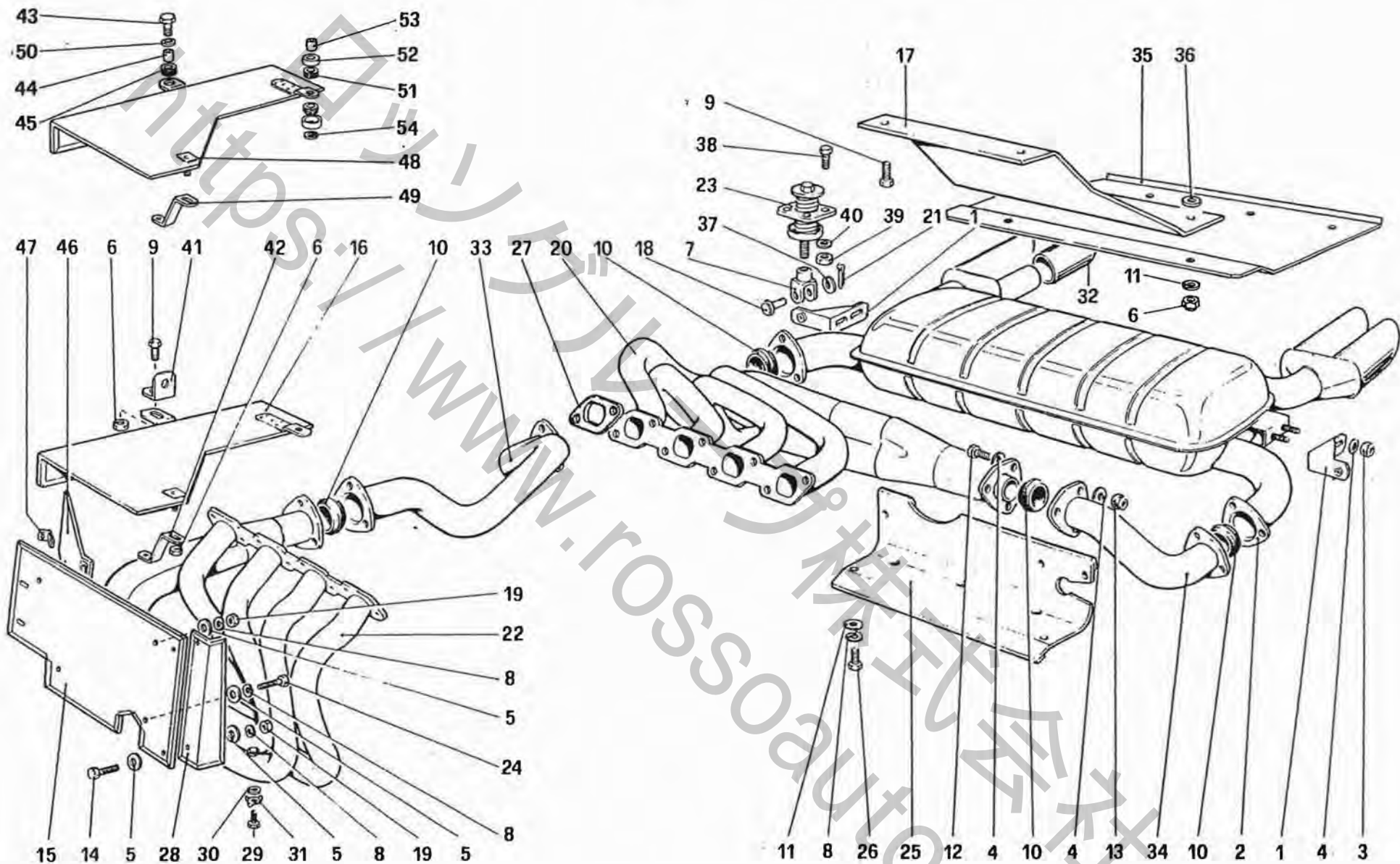


TAVOLA 18

| Rif. | Dis. No. Part No. | Q.ty | DENOMINAZIONE | DESCRIPTION | Rif. | Dis. No. Part No. | Q.ty | DENOMINAZIONE | DESCRIPTION |
|------|----------------------|------|--|--|------|----------------------|------|---------------------------------------|-----------------------------------|
| 1 | 120073 | 1 | Pedale acceleratore | Accelerator pedal | 31 | 113566 | 1 | Rosetta di fermo | Lock washer |
| 2 | 115399 | 1 | Leva | Lever | 32 | 16102311 | 1 | Dado | Nut |
| 3 | 101677 | 2 | Astuccio a rullini | Roller cage | 33 | 118296 | 1 | Leva rinvio comando farfalla | Throttle control lever |
| 4 | 108576 | 1 | Rondella di rasamento | Shim | | | | Dopo esaurimento vale n. 128942 | After exhaustion use no. 128942 |
| 5 | 11066076 | 1 | Anello seeger | Seeger | 34 | 115590 | 1 | Leva comando registro farfalla | Throttle adjust lever |
| 6 | 105232 | 1 | Registro | Adjusting screw | 35 | 114863 | 1 | Perno leva rinvio | Lever pin |
| 7 | 16102311 | 2 | Dado | Nut | | | | Dopo esaurimento vale n. 10903021 | After exhaustion use no. 10903021 |
| 8 | 10725911 | 1 | Controdado | Locknut | 36 | 114986 | 1 | Rondella distanziale - Non a ricambio | Spacer washer - Not spare |
| 9 | 100655 | 1 | Forcellino | Fork | 37 | 115573 | 1 | Molla di torsione | Spring |
| 10 | 100656 | 1 | Perno con molletta | Pin with strap | 38 | 118294 | 1 | Molla di assistenza | Spring |
| 11 | 16100811 | 2 | Dado | Nut | 39 | 118809 | 1 | Staffa di sostegno cavo | Support plate for cable |
| 12 | 106852 | 2 | Rondella | Washer | 40 | 10396580 | 1 | Passafilo | Fair - lead |
| 13 | 10519601 | 1 | Distanziale | Spacer | 41 | 105617 | 1 | Giunto sferico | Ball joint |
| 14 | 106852 | 1 | Rondella | Washer | 42 | 115204 | 1 | Piattello - No per USA | Plate - Not for US |
| 15 | 16100811 | 1 | Dado | Nut | 43 | 114919 | 1 | Gommino - No per USA | Grommet - Not for US |
| 16 | 120070 | 1 | Supporto pedale acceleratore | Support for accelerator pedal | 44 | 15896411 | 1 | Dado | Nut |
| 17 | 118817 | 1 | Cavo comando acceleratore | Control cable for accelerator | 45 | 10444621 | 2 | Vite | Screw |
| 18 | 114366 | 1 | Vite registro leva comando farfalla | Adjusting screw for throttle control lever | 46 | 106848 | 2 | Rondella | Washer |
| 19 | 107824 | 1 | Molla | Spring | 47 | 10519201 | 2 | Rondella | Washer |
| 20 | 111182 | 1 | Cappuccio inviolabilità | Inviolability cap | 48 | 121517 | 1 | Microinterruttore | Throttle microswitch |
| 21 | 114367 | 1 | Perno per cappuccio | Pin for cap | 49 | 116736 | 1 | Anello di tenuta | Sealing ring |
| 22 | 120027 | 1 | Protezione cavo | Cable protection | 50 | 105661 | 1 | Vite - Solo per USA e C8 | Screw - For US and C8 |
| | | | Per GD vale n. 120027 | For RHD use no. 120027 | 51 | 127916 | 1 | Anello di tenuta - Solo per USA e C8 | Sealing ring - For US and C8 |
| 23 | 119308 | 1 | Vite regolazione aria | Air adjusting screw | 52 | 130353 | 1 | Pedale acceleratore | Accelerator pedal |
| | | | No per USA | Not for US | 53 | 133751 | 1 | Leva | Lever |
| 24 | 113571 | 1 | Molla - No per USA | Spring - Not for US | 54 | 132212 | 1 | Boccola | Bush |
| 25 | 114851 | 1 | Farfalla - Non a ricambio | Throttle - Not spare | 55 | 115396 | 1 | Supporto pedale acceleratore | Support for accelerator pedal |
| 26 | 121802 | 1 | Alberino per farfalla - Non a ricambio | Throttle spindle - Not spare | 56 | 133750 | 1 | Cavo comando acceleratore | Control cable for accelerator |
| 27 | 107443 | 2 | Bussola - Non a ricambio | Bush - Not spare | 57 | 132290 | 1 | Forcella | Fork |
| 28 | 115361 | 2 | Vite - Non a ricambio | Screw - Not spare | 58 | 132291 | 1 | Perno con molletta | Pin with strap |
| 29 | 121835 | 1 | Rondella | Washer | 59 | 10725011 | 1 | Controdado | Locknut |
| 30 | 104182 | 1 | Anello seeger | Seeger | | | | | |



3.2 MONDIAL

IMPIANTO DI SCARICO - Non vale per Versione USA - CH87 - CH88
 EXHAUSTION SYSTEM - Not for US - CH87 - CH88 Version

TAV. 19

DATA: OTTOBRE 87

02725

TAVOLA 19

| Rif. | Dis. No. Part No. | Q.ty | DENOMINAZIONE | DESCRIPTION | Rif. | Dis. No. Part No. | Q.ty | DENOMINAZIONE | DESCRIPTION |
|------|----------------------|------|---|--|------|----------------------|------|----------------------------------|---|
| 1 | 108290 | 2 | Staffa sostegno silenziatore | Bracket | 28 | 120904 | 1 | Protezione Sx. serbatoi | Protection plate |
| 2 | 128026 | 1 | Marmitta - No per CH e D | Exhaust silencer - Not for CH and D | | | | No per CH | Not for CH |
| | | | Per D vale n. 129132 | For D use no. 129132 | 29 | 110860 | 8 | Tappo | Plug |
| | | | Per CH vale n. 129412 | For CH use no. 129412 | 30 | 10298460 | 8 | Rondella | Washer |
| 3 | 114748 | 4 | Dado | Nut | 31 | 12646701 | 1 | Rondella - Con paratia n. 128950 | Washer - With protection plate no. 128950 |
| 4 | 10519601 | 28 | Rondella | Washer | 32 | 127843 | 4 | Terminale | Terminal |
| 5 | 12643701 | 17 | Rondella | Washer | | | | Per D vale n. 118774 | For D use no. 118774 |
| 6 | 116416 | 12 | Dado | Nut | 33 | 118157 | 1 | Tube dal collettore anteriore | Intermediate pipe from front |
| 7 | 108257 | 2 | Forcella per tampone | Fork on buffer | | | | al silenziatore | manifold to muffler |
| 8 | 106850 | 16 | Rondella elastica | Washer | | | | Per CH vale n. 129410 | For CH use no. 129410 |
| 9 | 10902121 | 4 | Vite - Con paratia n. 118612 | Screw - With protection plate no. 118612 | 34 | 118158 | 1 | Tube dal collettore posteriore | Intermediate pipe from rear |
| 10 | 118338 | 4 | Guarnizione collettore - silenziatore | Gasket | | | | al silenziatore | manifold to muffler |
| 11 | 106744 | 10 | Rondella | Washer | | | | Per CH vale n. 129411 | For CH use no. 129411 |
| 12 | 119632 | 12 | Vite | Screw | 35 | 128196 | 1 | Paratia | Protection |
| 13 | 114748 | 12 | Dado | Nut | 36 | 105924 | 6 | Rondella distanziale | Washer spacer |
| 14 | 10902421 | 5 | Vite | Screw | 37 | 103167 | 2 | Rondella | Washer |
| 15 | 124345 | 1 | Paratia protezione serbatoi - No per CH | Protection plate - Not for CH | 38 | 10977621 | 8 | Vite | Screw |
| | | | Dopo esaurimento vale n. 131908 | After exhaustion use no. 131908 | 39 | 15896411 | 8 | Dado | Nut |
| 15 | 130925 | 1 | Paratia protezione serbatoi | Protection plate | 40 | 106849 | 8 | Rondella | Washer |
| | | | Per CH | For CH | 41 | 118618 | 1 | Staffa | Bracket |
| 15 | 131908 | 1 | (A) Paratia protezione serbatoi | (A) Protection plate | 42 | 118619 | 1 | Staffa | Bracket - With protection |
| 16 | 118612 | 1 | Paratia protezione alternatore | Protection plate | | | | Con paratia n. 118612 | plate no. 118612 |
| | | | Fino alla vettura n. 64805 | Until car no. 64805 | 43 | 10902621 | 1 | Bullone | Bolt |
| 17 | 118780 | 1 | Paratia protezione baule | Protection plate | 44 | 103550 | 1 | Boccola | Bush |
| 18 | 10033411 | 2 | Perno | Pin | 45 | 103549 | 1 | Passafilo | Fair-lead |
| 19 | 15896211 | 7 | Dado | Nut | 46 | 123829 | 1 | Protezione laterale Dx. | Right protection plate |
| 20 | 118156 | 1 | Collettore di scarico posteriore | Rear exhaust manifold | | | | Per Cabriolet vale n. 122019 | For Cabriolet use no. 122019 |
| | | | Per CH vale n. 129409 | -For CH use no. 129409 | 47 | 120473 | 1 | Staffa | Bracket |
| 21 | 10796401 | 2 | Copiglia | Split pin | 48 | 128950 | 1 | Paratia protezione alternatore | Protection plate |
| 22 | 118155 | 1 | Collettore di scarico anteriore | Front exhaust manifold | | | | Dalla vettura n. 64807 | From car no. 64807 |
| | | | Per CH vale n. 129408 | For CH use no. 129408 | 49 | 128952 | 1 | Staffa | Washer |
| 23 | 106052 | 2 | Tampone sostegno silenziatore | Buffer for supporting silencer | 50 | 12643701 | 3 | Rondella | Washer |
| 24 | 10902221 | 2 | Vite | Screw | 51 | 107978 | 4 | Tassello elastico | Pad |
| 25 | 118782 | 1 | Paratia | Protection plate | 52 | 107979 | 4 | Scodellino | Cup |
| 26 | 10902021 | 4 | Vite | Screw | 53 | 107980 | 2 | Boccola | Bush |
| 27 | 111532 | 8 | Guarnizione | Gasket | | | | Con paratia n. 128950 | With protection plate no. 128950 |

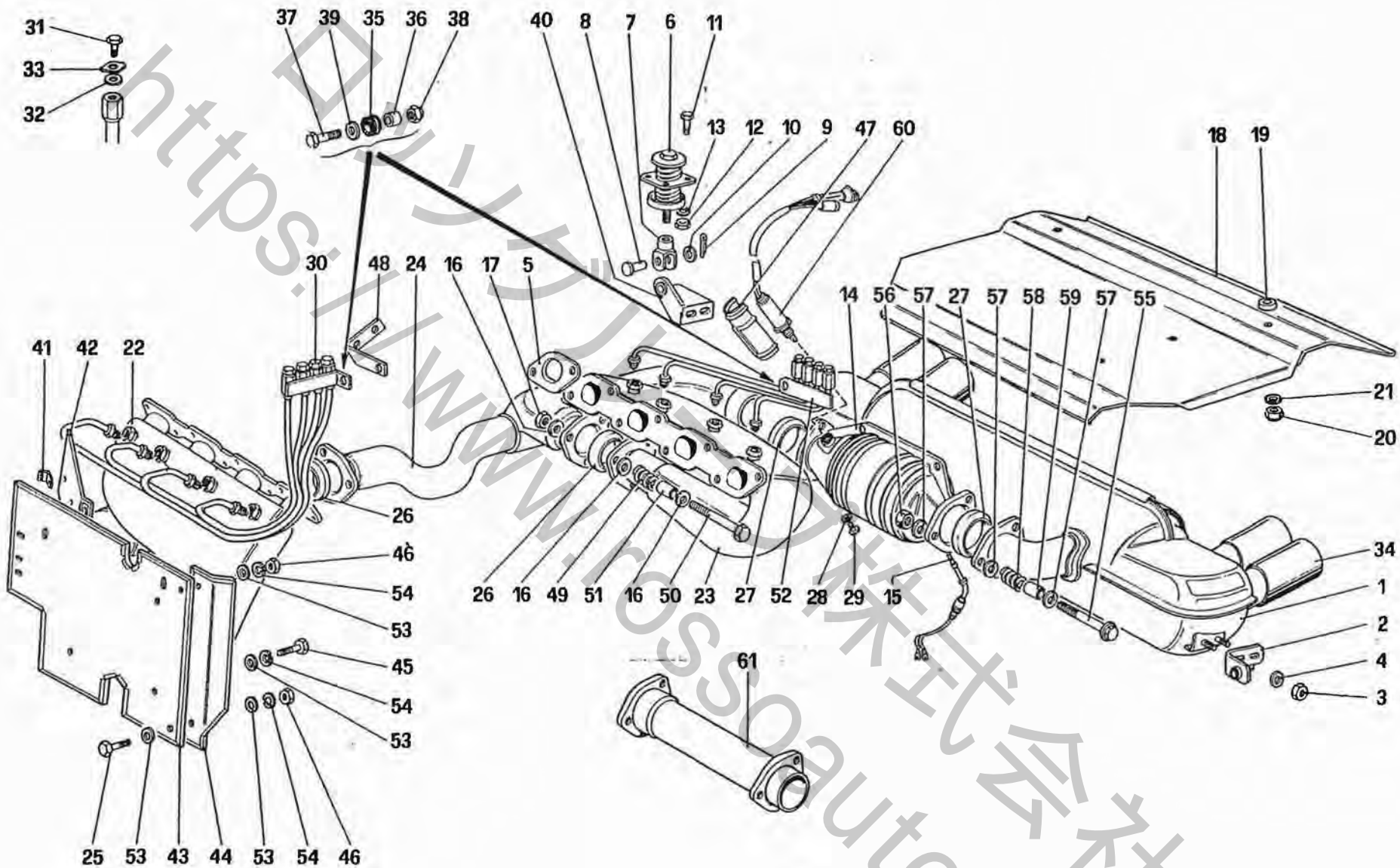
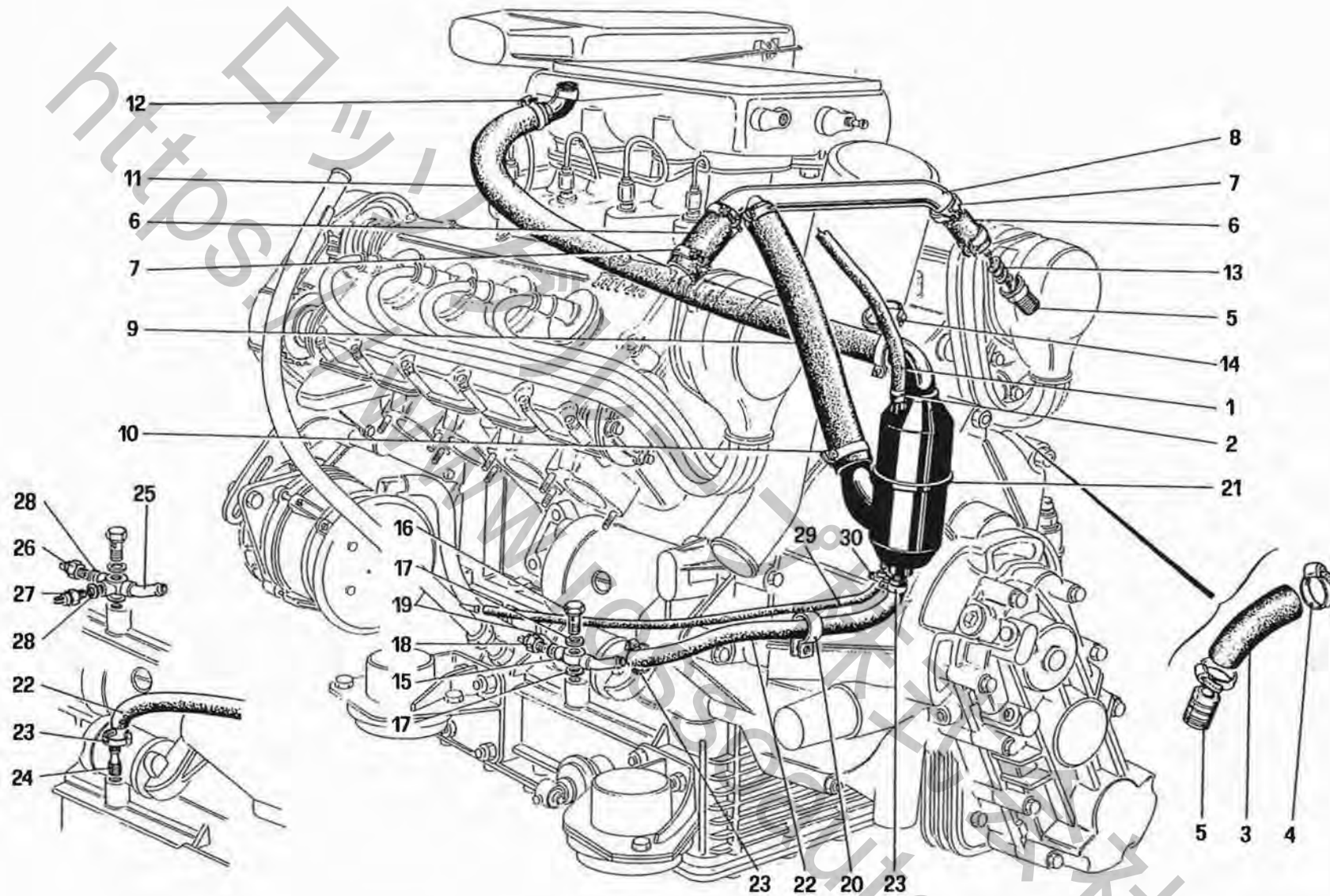


TAVOLA 20

| Rif. | Dis. No. Part No. | Q.ty | DENOMINAZIONE | DESCRIPTION |
|------|----------------------|------|--|--|
| 1 | 128206 | 1 | Marmitta - No per AUS - SA - C7 - C8 | Exhaust silence - Not for AUS - SA - C7 and C8 |
| 1 | 131195 | 1 | Marmitta - Per AUS e SA | Exhaust silence - For AUS and SA |
| 1 | 131955 | 1 | Marmitta - Per C7 e C8 | Exhaust silence - For C7 and C8 |
| 2 | 115803 | 1 | Staffa Sx. sostegno silenziatore | Bracket |
| 3 | 114748 | 4 | Dado | Nut |
| 4 | 10519601 | 4 | Rondella | Washer |
| 5 | 111532 | 8 | Guarnizione | Gasket |
| 6 | 106052 | 2 | Tampone sostegno silenziatore | Buffer for supporting silence |
| 7 | 108257 | 2 | Forcella sul tampone sostegno silenziatore | Fork on buffer |
| 8 | 10033411 | 2 | Perno | Pin |
| 9 | 10796401 | 2 | Copiglia sul perno | Split pin |
| 10 | 103167 | 2 | Rondella | Washer |
| 11 | 10977621 | 8 | Vite fissaggio tampone al telaio | Screw fixing buffer to chassis |
| 12 | 15896411 | 8 | Dado | Nut |
| 13 | 106849 | 8 | Rondella | Washer |
| 14 | 121385 | 1 | Catalizzatore - No per SA | Catalytic converters - Not for SA |
| 15 | 61402400 | 1 | Termocoppia - Per USA | Thermocouple - For USA |
| 15 | 62347100 | 1 | Termocoppia - Per C7 e C8 | Thermocouple - For C7 and C8 |
| 16 | 112761 | 18 | Rondella | Washer |
| 17 | 114748 | 6 | Dado autobloccante | Selflocking nut |
| 18 | 128330 | 1 | Paratia | Protection plate |
| 19 | 105924 | 6 | Distanziale | Spacer |
| 20 | 116416 | 6 | Dado | Nut |
| 21 | 106744 | 6 | Rondella | Washer |
| 22 | 118821 | 1 | Collettore di scarico anteriore | Front exhaust manifold |
| 23 | 129003 | 1 | Collettore di scarico posteriore | Rear exhaust manifold |
| 24 | 128189 | 1 | Prolunga fra catalizzatori e collettori | Extension pipe from manifold to converter |
| 25 | 10902221 | 2 | Vite | Screw |
| 26 | 103377 | 2 | Guarnizione | Gasket |
| 27 | 121426 | 2 | Guarnizione | Gasket |
| 28 | 10298460 | 2 | Guarnizione | Gasket |
| 29 | 110860 | 1 | Tappo | Plug |
| - | 136253 | 1 | Tubetto analizzatore | Analyzing pipe |
| 30 | 118886 | 1 | Tubetti analizzatori anteriori | Analyzing pipes, front |
| 31 | 103748 | 9 | Tappo | Plug |
| 32 | 103749 | 9 | Guarnizione | Gasket |

| Rif. | Dis. No. Part No. | Q.ty | DENOMINAZIONE | DESCRIPTION |
|------|----------------------|------|--|--|
| 33 | 103587 | 9 | Piastrina | Plate |
| 34 | 115801 | 4 | Terminale - No per C7 e C8 | Terminal - Not for C7 and C8 |
| 34 | 132577 | 4 | Terminale - Per C7 e C8 | Terminal - For C7 and C8 |
| 35 | 103549 | 2 | Gommino antivibrante | Anti-vibration rubber |
| 36 | 103550 | 2 | Boccola per gommino | Bush for rubber |
| 37 | 10902621 | 2 | Vite fiss. tubetti | Screw for pipes |
| 38 | 12574211 | 2 | Dado autobloccante | Selflocking nut |
| 39 | 106744 | 2 | Rondella di rasamento | Washer |
| 40 | 136252 | 1 | Staffa Dx. sostegno silenziatore | Bracket |
| 41 | 120473 | 1 | Staffetta | Bracket |
| 42 | 123829 | 1 | Paratia laterale Dx. | Protection plate |
| | | | Per Cabriolet vale n. 122019 | For Cabriolet use no. 122019 |
| 43 | 124345 | 1 | Paratia protezione serbatoi | Protection plate |
| | | | Dopo esaurimento vale n. 131908 | After exhaustion use no. 131908 |
| 44 | 120904 | 1 | Paratia | Protection plate |
| 45 | 10902421 | 5 | Vite | Screw |
| 46 | 15896211 | 7 | Dado | Nut |
| 47 | 121833 | 1 | Protezione per Sonda Lambda - No per C7 - SA | Protection for oxygen sensor - Not for C7 - SA |
| 48 | 118999 | 1 | Staffa | Bracket |
| 48 | 132358 | 1 | Staffa - Solo per SA | Bracket - Only for SA |
| 49 | 111743 | 6 | Molla fissaggio flange | Spring, fixing flanges |
| 50 | 115675 | 6 | Vite | Screw |
| 51 | 114749 | 6 | Distanziale per molla | Spacer for spring |
| 52 | 121780 | 1 | Tubetti analizzatori posteriori | Analyzing pipes, rear |
| 53 | 12643701 | 14 | Rondella | Washer |
| 54 | 106850 | 5 | Rondella | Washer |
| 55 | 121676 | 6 | Vite | Screw |
| 56 | 121677 | 6 | Dado | Nut |
| 57 | 121678 | 18 | Rondella | Washer |
| 58 | 121674 | 6 | Molla | Spring |
| 59 | 121675 | 6 | Distanziale | Space |
| 60 | 121515 | 1 | Sonda Lambda - Per USA e C8 | Oxygen sensor - For US and C8 |
| - | 10300811 | 1 | Tappo - Per C7 | Plug - For C7 |
| 61 | 126534 | 1 | Tubo dalla prolunga alla marmitta | Pipe to extension pipe from silencer |
| | | | Per SA | For SA |



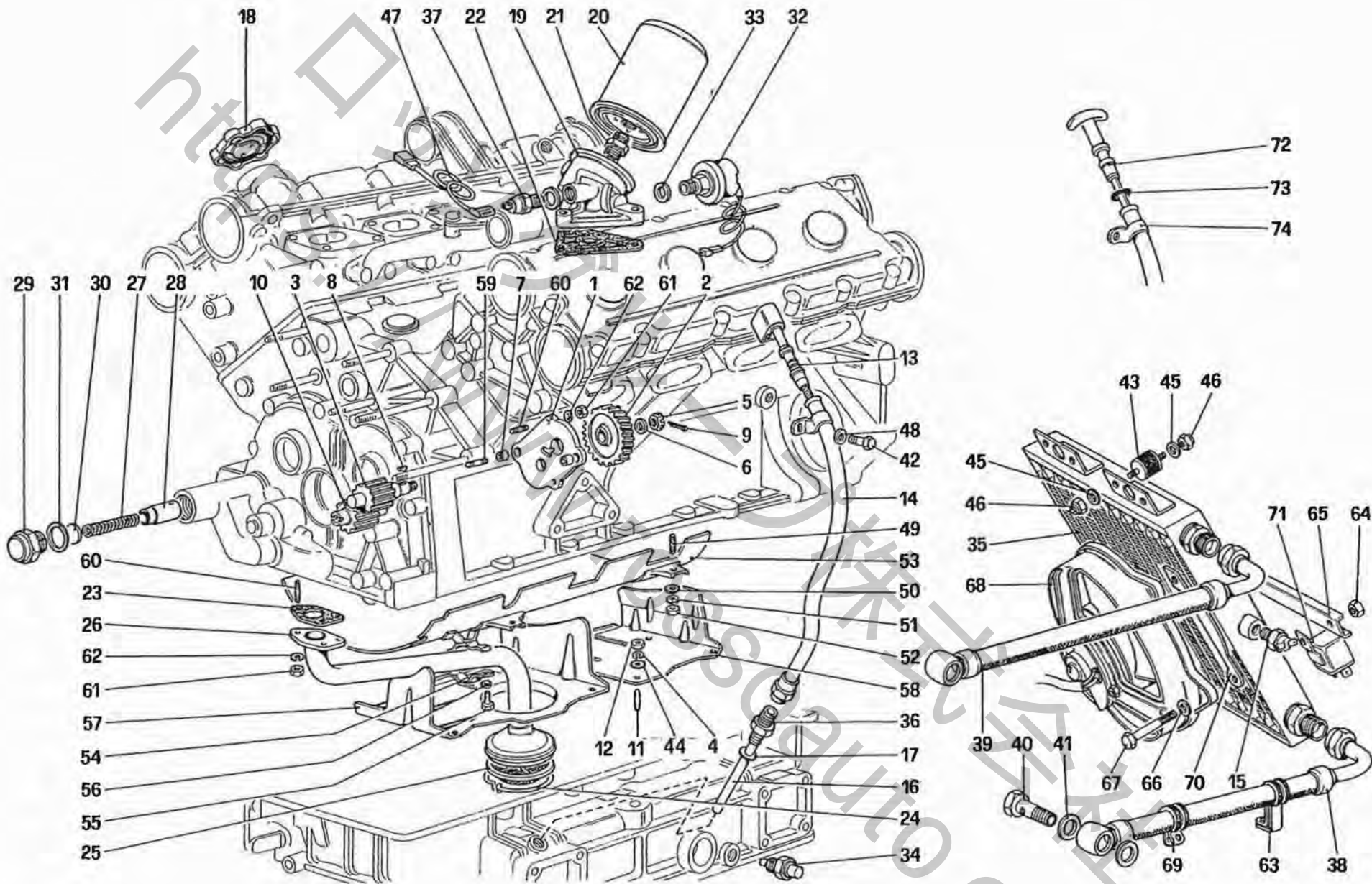
3.2 MONDIAL

CICLO VAPORI OLIO
BLOW - BY SYSTEM

TAV. 21
DATA: OTTOBRE 87

TAVOLA 21

| Rif. | Dis. No. Part No. | Q.ty | DENOMINAZIONE | DESCRIPTION | Rif. | Dis. No. Part No. | Q.ty | DENOMINAZIONE | DESCRIPTION |
|------|----------------------|------|--|--|------|----------------------|------|---|--|
| 1 | 111199 | 1 | Tubo dal corpo sfiato al corpo mandata aria No per USA | Hose from separator to air intake Not for US | 15 | 121842 | 1 | Orientabile per blow - by - Per USA | Revolving device - For US |
| 1 | 129109 | 1 | Tubo dal corpo sfiato al tubo ripartitore aria Solo per USA | Hose from vapor separator to air delivery pipe - For US | 16 | 121424 | 1 | Bocchellone | Union |
| 2 | 12179090 | 2 | Fascetta | Clamp | 17 | 10282460 | 2 | Guarnizione | Gasket |
| 3 | 118216 | 1 | Manicotto | Sleeve | 18 | 115652 | 1 | Termostato bimetallico - Per USA | Bimetal thermostat - For US |
| 4 | 12179990 | 2 | Fascetta | Clamp | 19 | 10260060 | 1 | Guarnizione - Per USA | Gasket - For US |
| 5 | 119236 | 1 | Raccordo | Union | 20 | 10450490 | 1 | Staffa fissaggio tubo | Pipe securing clamp |
| 6 | 116783 | 2 | Manicotto | Sleeve | 21 | 128532 | 1 | Corpo sfiato - No per C7 e C8 | Oil vapour separator - Not for C7 and C8 |
| 7 | 12180290 | 4 | Fascetta | Clamp | 21 | 132548 | 1 | Corpo sfiato - Per C7 e C8 | Oil vapour separator - For C7 and C8 |
| 8 | 118312 | 1 | Tubo a 3 vie | 3 way pipe | 22 | 106338 | 1 | Tubo dal corpo sfiato alla coppa | Hose from vapor separator to oil sump |
| 9 | 118958 | 1 | Tubo dal 3 vie al corpo sfiato | Tube from 3 way pipe to vapour separator | 23 | 12179490 | 2 | Fascetta | Clamp |
| 10 | 12179990 | 2 | Fascetta | Clamp | 24 | 115934 | 1 | Raccordo - No per C6 - C7 e USA | Union - Not for C6 - C7 and US |
| 11 | 118959 | 1 | Tubo dal corpo sfiato alla presa aria | Tube from vapor separator to oil sump | 25 | 129650 | 1 | Orientabile per blow - by Solo per C6 e C7 | Revolving device For C6 and C7 |
| 12 | 12179990 | 2 | Fascetta | Clamp | 26 | 125857 | 1 | Termostato - Solo per C6 e C7 | Thermostat - For C6 and C7 |
| 13 | 119237 | 2 | Paraspruzzo | Splash screen | 27 | 127155 | 1 | Termostato - Solo per C6 e C7 | Thermostat - For C6 and C7 |
| 14 | 105550 | 3 | Fascetta | Clamp | 28 | 10260060 | 2 | Guarnizione - Solo per C6 e C7 | Gasket - For C6 and C7 |
| | | | | | 29 | 132513 | 1 | Tubo - Per C7 e C8 | Pipe - For C7 and C8 |
| | | | | | 30 | 12178990 | 2 | Fascetta - Per C7 e C8 | Clamp - For C7 and C8 |



3.2 MONDIAL

LUBRIFICAZIONE
LUBRICATION SYSTEM

TAV. 22
DATA: OTTOBRE 87

TAVOLA 22

| Rif. | Dis. No. Part No. | Q.ty | DENOMINAZIONE | DESCRIPTION | Rif. | Dis. No. Part No. | Q.ty | DENOMINAZIONE | DESCRIPTION |
|------|----------------------|------|---|---------------------------------------|------|----------------------|------|--------------------------------------|--------------------------------------|
| 1 | 109300 | 1 | Coperchio pompa olio | Cover for oil pump | 38 | 126910 | 1 | Tubo dal radiatore al basamento | Hose from cooler to crankcase |
| 2 | 117659 | 1 | Ingranaggio comando pompa olio | Control gear | | | | Per Cabriolet vale n. 128541 | For Cabriolet use no. 128541 |
| 3 | 109956 | 1 | Ingranaggio conduttore | Driving gear | 39 | 126911 | 1 | Tubo dal radiatore alla base filtro | Hose from cooler to filter - support |
| 4 | 106849 | 8 | Rondella elastica | Spring washer | | | | Per Cabriolet vale n. 128542 | For Cabriolet use no. 128542 |
| 5 | 102900 | 1 | Dado | Nut | 40 | 123881 | 1 | Bocchettone | Union |
| 6 | 11198570 | 1 | Rondella | Washer | 41 | 10246160 | 4 | Guarnizione | Gasket |
| 7 | 102725 | 2 | Grano | Dowel | 42 | 10902011 | 1 | Vite | Screw |
| 8 | 10205620 | 1 | Linguetta | Tongue | 43 | 102947 | 3 | Supporto antivibrante | Vibration damping support |
| 9 | 10734301 | 1 | Copiglia | Split pin | 44 | 12638101 | 8 | Rondella | Washer |
| 10 | 109308 | 1 | Ingranaggio condotto | Driven gear | 45 | 12643701 | 6 | Rondella | Washer |
| 11 | 13539021 | 8 | Prigioniero per paratia inferiore | Stud for protection | 46 | 12575411 | 6 | Dado | Nut |
| 12 | 15896411 | 8 | Dado | Nut | 47 | 112388 | 1 | Cavetto per interruttore | Switch cable |
| 13 | 116051 | 1 | (B) Asta livello olio | (B) Oil level rod | 48 | 12601271 | 1 | Rondella | Washer |
| | | | Per Cabriolet vale n. 120347 | For Cabriolet use no. 120347 | 49 | 13516521 | 4 | Prigioniero sul basamento | Stud on crankcase |
| 14 | 118633 | 1 | (B) Tubo asta livello olio - No per C7 | (B) Hose for level rod - Not for C7 | 50 | 10519601 | 4 | Rondella | Washer |
| | | | Per Cabriolet vale n. 120367 | For Cabriolet use no. 120367 | 51 | 10516671 | 4 | Rondella spaccata | Split washer |
| 14 | 132502 | 1 | (1B) Tubo asta livello olio - Per C7 | (1B) Hose for level rod - For C7 | 52 | 16102311 | 4 | Dado | Nut |
| 14 | 132446 | 1 | (2B) Tubo asta livello olio - Per C7 | (2B) Hose for level rod - For C7 | 53 | 103929 | 1 | Paratia superiore | Upper protection plate |
| 15 | 123277 | 1 | Termointerruttore | Thermoswitch | 54 | 103933 | 1 | Staffa fissaggio pescante | Fixing bracket |
| 16 | 107868 | 1 | Tubo per raccordo | Pipe | 55 | 10977710 | 2 | Bullone | Bolt |
| 17 | 10259960 | 1 | Guarnizione | Gasket | 56 | 11195471 | 2 | Rondella | Washer |
| 18 | 103936 | 1 | Tappo introduzione olio | Cap | 57 | 107073 | 1 | Paratia inferiore anteriore | Front lower bulkhead |
| 19 | 123863 | 1 | Base filtro | Filter base | 58 | 107074 | 1 | Paratia inferiore posteriore | Rear lower bulkhead |
| 20 | 111782 | 1 | Cartuccia filtro olio | Oil cartridge | 59 | 13541121 | 2 | Prigioniero lungo | Long stud |
| 21 | 121246 | 1 | Raccordo | Union | 60 | 13540821 | 5 | Prigioniero corto | Short stud |
| 22 | 123869 | 1 | Guarnizione - No per C8 | Gasket - Not for C8 | 61 | 15896211 | 7 | Dado | Nut |
| 22 | 135120 | 1 | Guarnizione - Per C8 | Gasket - For C8 | 62 | 11197771 | 7 | Rondella | Washer |
| 23 | 103942 | 1 | Guarnizione - No per C8 | Gasket - Not for C8 | 63 | 128543 | 1 | Fascetta - Solo per Cabriolet | Clamp - Only for Cabriolet |
| 23 | 134961 | 1 | Guarnizione - Per C8 | Gasket - For C8 | 64 | 12574211 | 4 | Dado | Nut |
| 24 | 103944 | 1 | Anello di tenuta | Sealing ring | 65 | 121163 | 2 | Staffa | Bracket |
| 25 | 100332 | 1 | Filtro pescante | Filter | 66 | 12639721 | 4 | Rondella | Washer |
| 26 | 105998 | 1 | Pescante olio | Suction pipe | 67 | 10901921 | 4 | Vite | Screw |
| | | | Fino al motore 1391 Eur. - 685 USA | Up to engine no. 1391 Eur. 685 USA | 68 | 121161 | 1 | Elettroventilatore | Electro-fan motor |
| 26 | 129551 | 1 | Pescante olio | Suction pipe | | 122951 | 1 | Ventola (Per part. 68) | Cooling fan (For part no. 68) |
| | | | Vale dal motore 1392 Eur. - 686 USA | From engine no. 1392 Eur. 686 USA | 69 | 10450890 | 1 | Fascella - Solo per Cabriolet | Clamp - Only for Cabriolet |
| 27 | 133550 | 1 | Molla per valvola regolazione pressione | Spring for pressure adjusting valve | 70 | 121162 | 2 | Distanziale | Spacer |
| 28 | 125885 | 1 | Pistoncino | Piston | 71 | 61914500 | 1 | Teleruttore comando ventola | Control relay |
| 29 | 106237 | 1 | Tappo | Plug | | | | Dopo esaurimento vale n. 62377000 | After exhaustion use no. 62377000 |
| 30 | 135679 | 1 | Distanziale | Spacer | 72 | 105657 | 1 | (A) Asta livello olio | (A) Oil level rod |
| 31 | 10264660 | 1 | Guarnizione | Gasket | | | | Per Cabriolet vale n. 134098 | For Cabriolet use no. 134098 |
| 32 | 122592 | 1 | Trasmettitore | Transmitter | 73 | 100317 | 1 | (A) Anello di tenuta | (A) Sealing ring |
| 33 | 10259960 | 1 | Guarnizione | Gasket | 74 | 120001 | 1 | (A) Tubo asta livello olio | (A) Hose for level rod |
| 34 | 107576 | 1 | Termistore | Thermistor | | | | Per Cabriolet vale n. 134104 | For Cabriolet use no. 134104 |
| 35 | 126922 | 1 | Radiatore olio | Oil radiator | 74 | 132483 | 1 | (1A) Tubo asta livello olio - Per C8 | (1A) Hose for level rod - For C8 |
| 36 | 102668 | 1 | Raccordo | Union | 74 | 134106 | 1 | (2A) Tubo asta livello olio - Per C8 | (2A) Hose for level rod - For C8 |
| 37 | 110664 | 1 | Interruttore per spia pressione olio | Switch for oil pressure warning light | | | | | |

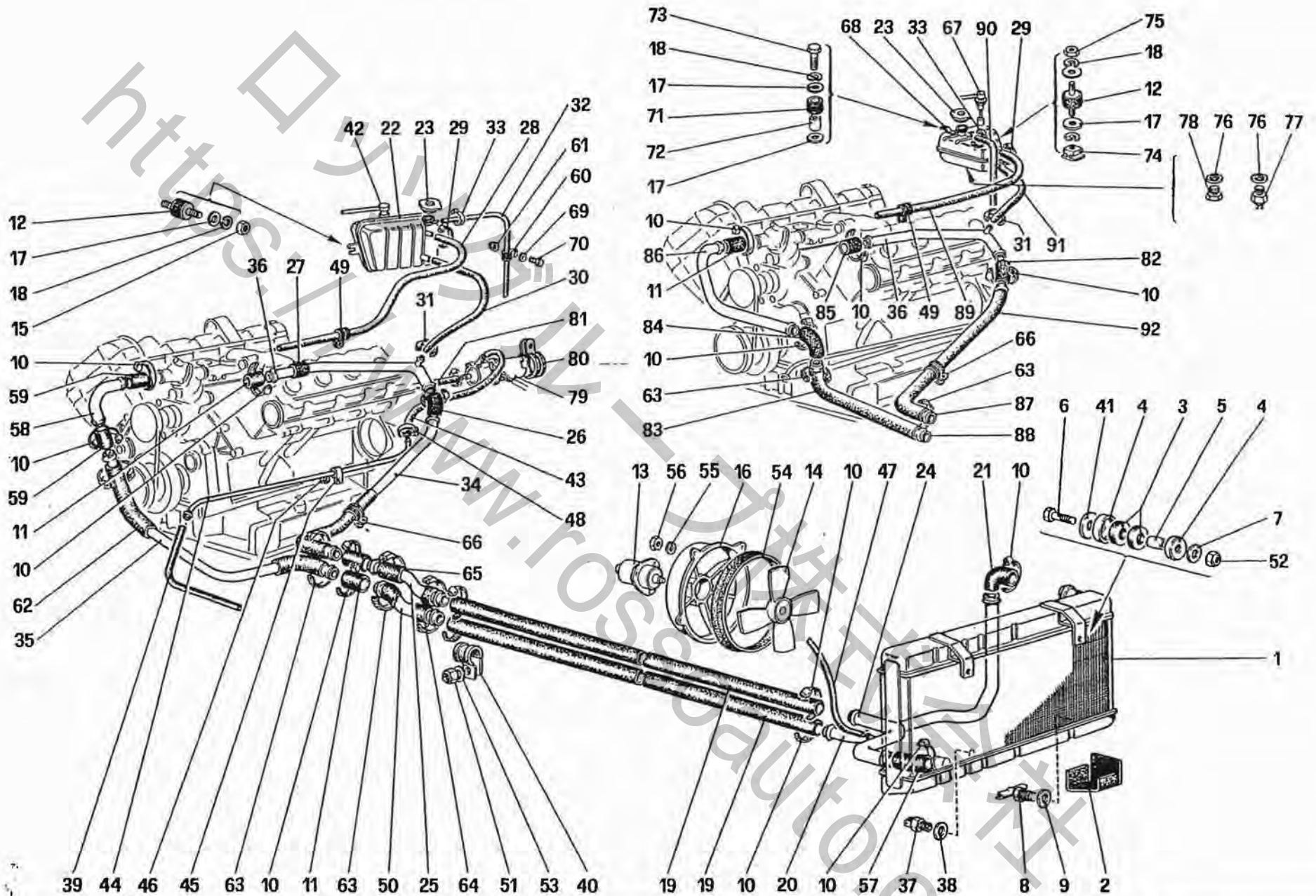


TAVOLA 23

| Rif. | Dis. No. Part No. | Q.ty | DENOMINAZIONE | DESCRIPTION | Rif. | Dis. No. Part No. | Q.ty | DENOMINAZIONE | DESCRIPTION |
|------|----------------------|------|---|---|------|----------------------|------|--------------------------------------|-------------------------------------|
| 1 | 126887 | 1 | Radiatore acqua | Water radiator | 46 | 12574211 | 2 | Dado | Nut |
| 2 | 107782 | 2 | Spessore gomma antivibrante | Rubber shim, vibration damping | 47 | 61084800 | 1 | Tubo ritorno | Return pipe |
| 3 | 107978 | 4 | Tassello elastico | Pad | | | | Per GD vale n. 61129700 | For RHD use no. 61129700 |
| 4 | 107979 | 4 | Scodellino | Cup | 48 | 12179590 | 6 | Fascetta | Clamp |
| 5 | 107980 | 2 | Distanziale | Spacer | 49 | 10441790 | 2 | Fascetta tenuta lubo | Clamp for pipe |
| 6 | 16043821 | 2 | Bullone | Bolt | 50 | 122850 | 1 | Tubo intermedio per mandata | Intermediate delivery pipe |
| 7 | 112761 | 2 | Rondella | Washer | 51 | 16104411 | 6 | Dado | Nut |
| 8 | 101488 | 1 | Rubinetto scarico acqua | Water drain cock | 52 | 16104411 | 2 | Dado | Nut |
| 9 | 101496 | 1 | Guarnizione | Gasket | 53 | 12642701 | 6 | Rondella | Washer |
| 10 | 12177090 | 20 | Fascetta | Clamp | 54 | 126883 | 2 | Guarnizione | Gasket |
| 11 | 122817 | 2 | Manicotto | Sleeve | 55 | 12543701 | 8 | Rondella | Washer |
| 12 | 102947 | 1 | Supporto antivibrante | Vibration - damping support | 56 | 12574211 | 8 | Dado | Nut |
| 13 | 117546 | 2 | Motorino per elettroventilatore | Electric fan motor | 57 | 122817 | 1 | Manicotto | Sleeve |
| 14 | 122953 | 2 | Ventola | Fan | 58 | 123828 | 1 | Tubo mandata | Pipe |
| 15 | 15896211 | - | Dado | Nut | 59 | 105190 | 2 | Manicotto | Sleeve |
| 16 | 60870300 | 2 | Convogliatore per elettroventilatore | Conveyor | 60 | 10418601 | 1 | Fascetta | Clamp |
| 17 | 106744 | 3 | Rondella | Washer | 61 | 12574211 | 1 | Dado | Nut |
| 18 | 127498 | 3 | Rondella | Washer | 62 | 120445 | 1 | Tubo di protezione | Hose for protection |
| 19 | 116443 | 2 | Tubo centrale | Central pipe | 63 | 105550 | 6 | Fascetta | Clamp |
| 20 | 122853 | 1 | Tubo anteriore per mandata (GS) | Front pipe delivery to radiator (LHD) | 64 | 120448 | 1 | Tubo di protezione | Hose for protection |
| 20 | 122757 | 1 | Tubo anteriore per mandata (GD) | Front pipe delivery to radiator (RHD) | | | | Per Cabriolet vale n. 120445 | For Cabriolet use no. 120445 |
| 20 | 134190 | 1 | (A) Tubo anteriore per mandata | (A) Front pipe delivery to radiator (LHD) | 65 | 120447 | 1 | Tubo di protezione | Hose for protection |
| 21 | 102956 | 1 | Manicotto | Sleeve | | | | Per Cabriolet vale n. 120448 | For Cabriolet use no. 120448 |
| 22 | 120364 | 1 | Nourrice per radiatore | Expansion tank | 66 | 113909 | 3 | Fascetta sostegno tubo | Clamp |
| | | | Dalla Mondial 3.2 n. 63313 vale il part. 68 | From Mondial 3.2 no. 63313 use part. 68 | 67 | 118966 | 1 | (B) Dispositivo segnalazione livello | (B) Warning device for liquid level |
| 23 | 101499 | 1 | Tubo per nourrice | Plug for tank | | | | Per nourrice n. 129599 | For nourrice no. 129599 |
| 24 | 122854 | 1 | Tubo anteriore per ritorno (GS) | Front return pipe (LHD) | 68 | 129599 | 1 | (B) Nourrice per radiatore | (B) Expansion tank |
| 24 | 122758 | 1 | Tubo anteriore per ritorno (GD) | Front return pipe (RHD) | 68 | 133813 | 1 | (A) Nourrice per radiatore | (A) Expansion tank |
| 25 | 122855 | 1 | Tubo per ritorno | Return pipe | 69 | 14496401 | 1 | Rondella | Washer |
| 26 | 105190 | 1 | Manicotto | Sleeve | 70 | 10902111 | 1 | Vite | Screw |
| 27 | 105385 | 2 | Manicotto | Sleeve | 71 | 103549 | 2 | Boccola antivibrante | Bush, vibration damping |
| 28 | 122401 | 1 | Tubo sfiato motore - nourrice | Breather pipe | 72 | 103550 | 2 | Distanziale | Spacer |
| 29 | 12179490 | 2 | Fascetta | Clamp | 73 | 10902421 | 2 | Vite | Screw |
| 30 | 122400 | 1 | Tubo alimentazione nourrice - motore | Fuel piping | 74 | 60758600 | 1 | Dado | Nut |
| 31 | 12180190 | 2 | Fascetta | Clamp | 75 | 15896211 | 1 | Dado | Nut |
| 32 | 126449 | 1 | Tubo sfiato | Breather pipe | 76 | 10260060 | 1 | Guarnizione | Gasket |
| 33 | 13423379 | 1 | Fascetta | Clamp | 77 | 121777 | 1 | Termocontatto - Per USA | Thermoswitch - For US |
| 34 | 122856 | 1 | Tubo posteriore Sx. | Left rear pipe | 78 | 10300940 | 1 | Tappo - No per USA | Plug - Not for US |
| 35 | 123827 | 1 | Tubo posteriore Dx. | Right rear pipe | 79 | 61787900 | 1 | Pompa ricircolo acqua | Recirculating water pump |
| 36 | 122857 | 1 | Tubo fra le teste | Pipe between heads | 80 | 107002 | 1 | Fascetta | Clamp |
| 37 | 101507 | 1 | Termocontatto | Thermocontact | 81 | 61830100 | 1 | Tubo | Pipe |
| 38 | 101508 | 1 | Guarnizione | Gasket | | | | VARIANTI PER CABRIOLET | VARIANTS FOR CABRIOLET |
| 39 | 60814500 | 1 | Tubo dal rubinetto riscaldamento | Pipe | 82 | 115936 | 1 | Manicotto | Sleeve |
| | | | Per Cabriolet n. 61323300 | For Cabriolet use no. 61323300 | 83 | 123806 | 1 | Tubo di protezione | Hose for protection |
| 40 | 107002 | 6 | Fascetta | Clamp | 84 | 102956 | 1 | Manicotto | Sleeve |
| 41 | 108292 | 2 | Rondella di rasamento | Shim | 85 | 122817 | 1 | Manicotto | Sleeve |
| 42 | 117222 | 1 | Dispositivo segnalazione livello | Warning device for liquid level | 86 | 122020 | 1 | Tubo sulla pompa per mandata | Pipe |
| | | | Per nourrice n. 120364 | For expansion tank n. 120364 | 87 | 122022 | 1 | Tubo posteriore Sx. | Left rear pipe |
| 43 | 61830000 | 1 | Tubo dal motore al tubo alluminio | Pipe from engine to aluminium pipe | 88 | 122021 | 1 | Tubo posteriore Dx. | Right rear pipe |
| | | | Per Cabriolet vale n. 61853100 | For Cabriolet use no. 61853100 | 89 | 122401 | 1 | Tubo sfiato motore nourrice | Breather pipe |
| 44 | 60748600 | 1 | Tubo sullo schienale | Pipe | 90 | 126449 | 1 | Tubo sfiato | Pipe |
| 45 | 10441590 | 2 | Fascetta sostegno tubo | Clamp for pipe | 91 | 122400 | 1 | Tubo alimentazione nourrice - motore | Fuel piping |
| | | | | | 92 | 125419 | 1 | Tubo di protezione | Hose for protection |

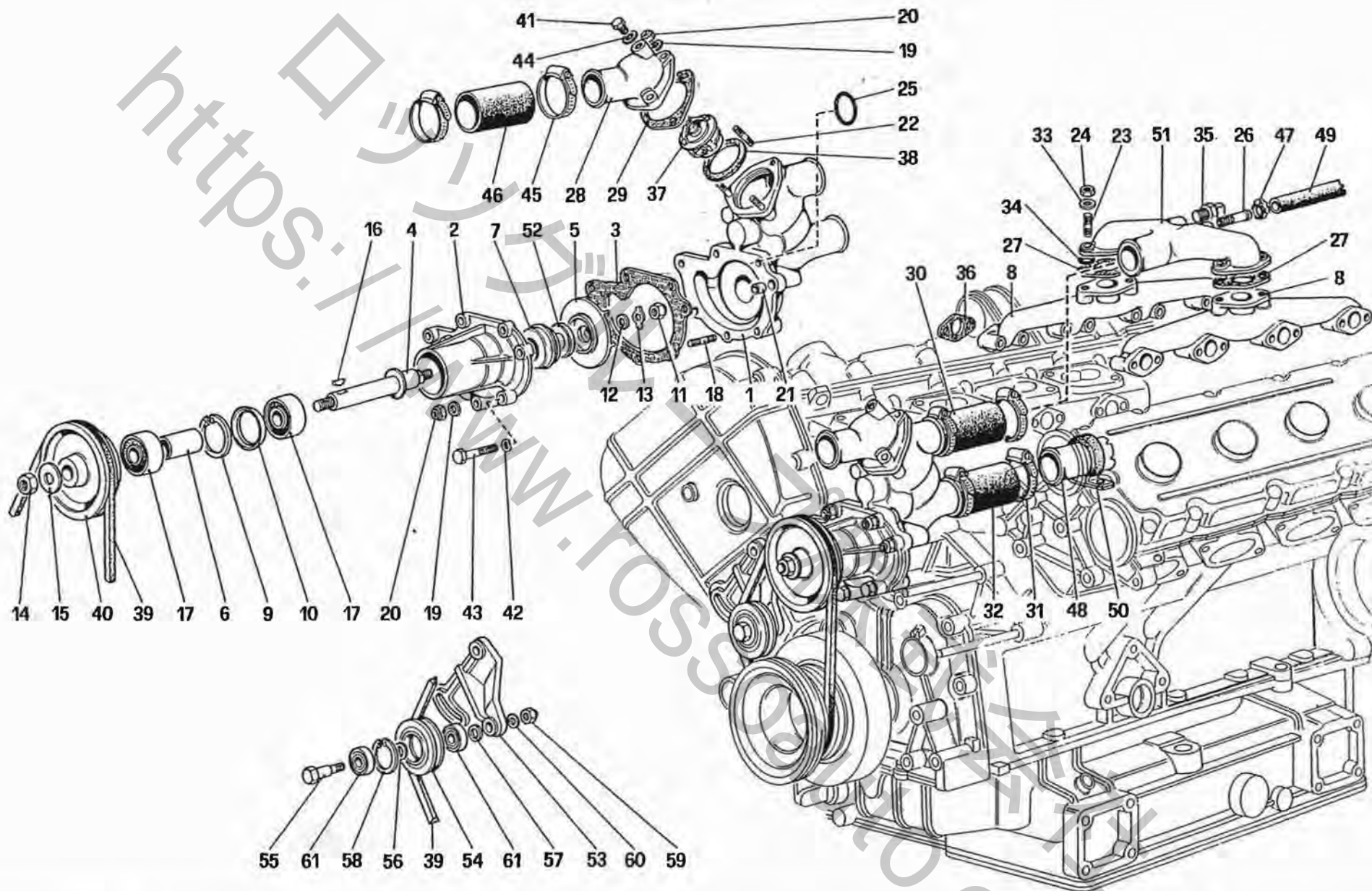
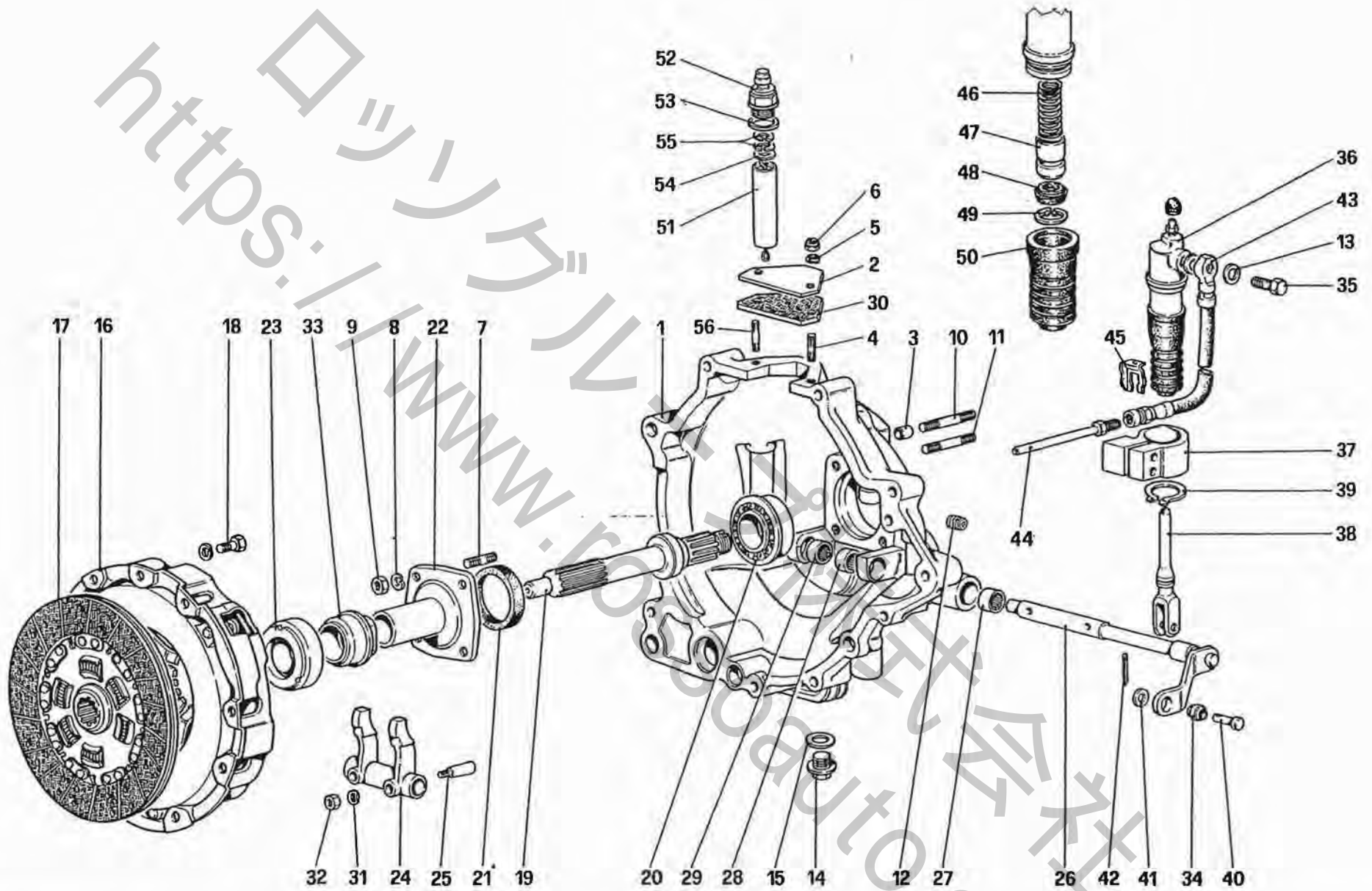


TAVOLA 24

| Rif. | Dis. No. Part No. | Q.ty | DENOMINAZIONE | DESCRIPTION | Rif. | Dis. No. Part No. | Q.ty | DENOMINAZIONE | DESCRIPTION |
|------|----------------------|------|-------------------------------------|---------------------------------------|------|----------------------|------|---|--|
| - | 121290 | | Pompa acqua completa | Water pump complete | 30 | 121258 | 1 | Manicotto | Sleeve |
| - | 121255 | | Pompa acqua completa (Parte ant.) | Water pump complete (Front) | 31 | 12177090 | 2 | Fascetta | Clamp |
| - | 115471 | | Corpo pompa acqua completo | Water pump body, complete | 32 | 122817 | 1 | Manicotto - Per Cabriolet vale n. 122231 | Sleeve - For Cabriolet use no. 122231 |
| 1 | 115470 | 1 | Corpo pompa acqua | Water pump body | 33 | 11198071 | 4 | Rondella | Washer |
| | | | Col complessivo n. 115471 | With assembly no. 115471 | 34 | 103039 | 4 | Anello di tenuta | Sealing ring |
| 2 | 121252 | 1 | Coperchio pompa acqua | Pump cover | 35 | 104628 | 1 | Termistore acqua | Thermistor |
| | | | Col complessivo n. 12255 | With assembly no. 121255 | 36 | 111480 | 8 | Guarnizione | Gasket |
| 3 | 103952 | 1 | Guarnizione - No per C8 | Gasket - Not for C8 | 37 | 128991 | 1 | Termostato | Thermostat |
| 3 | 135121 | 1 | Guarnizione - Per C8 | Gasket - For C8 | 38 | 105192 | 1 | Guarnizione - No per C8 | Gasket - Not for C8 |
| 4 | 121253 | 1 | Alberino per puleggia | Spindle for pulley | 38 | 132980 | 1 | Guarnizione - Per C8 | Gasket - For C8 |
| 5 | 121254 | 1 | Girante | Impeller | 39 | 121655 | 1 | Cinghia comando pompa acqua | Control belt for water pump |
| 6 | 116157 | 1 | Distanziale | Spacer | 40 | 121654 | 1 | Puleggia | Pulley |
| 7 | 120948 | 1 | Anello di tenuta | Sealing ring | 41 | 16042940 | 1 | Vite | Screw |
| 8 | 116967 | 2 | Collettore uscita acqua dalle teste | Manifold of output water to the heads | 42 | 12601371 | 4 | Rondella | Washer |
| 9 | 11060076 | 1 | Anello seeger | Seeger ring | 43 | 16044421 | 4 | Vite fissaggio corpo pompa | Fixing screw for pump |
| 10 | 116158 | 1 | Rondella | Washer | 44 | 10260060 | 1 | Guarnizione | Gasket |
| 11 | 100436 | 1 | Dado cieco | Cap nut | 45 | 12177090 | 2 | Fascetta | Clamp |
| 12 | 10730301 | 1 | Rondella | Washer | 46 | 105190 | 1 | Manicotto | Sleeve |
| 13 | 100434 | 1 | Piastrina | Plate | 47 | 12179490 | 2 | Fascetta | Clamp |
| 14 | 16101521 | 1 | Dado | Nut | 48 | 122857 | 1 | Tubo | Tube |
| 15 | 11198671 | 1 | Rondella conica | Conic washer | 49 | 122219 | 1 | Tubo sfiato motore - nourrice | Breather pipe |
| 16 | 10205820 | 1 | Linguetta | Tongue | 50 | 61712600 | 1 | Fascetta sostegno tubo | Clamp for pipe |
| 17 | 116159 | 2 | Cuscinetto a tenuta | Bearing | 51 | 116968 | 1 | Condotto collegamento collettori uscita acqua - No per C8 | Joint piping to manifolds of output water - Not for C8 |
| 18 | 11500721 | 3 | Prigioniero | Stud | 51 | 134863 | 1 | Condotto collegamento collettori uscita acqua - Per C8 | Joint piping to manifolds of output water - For C8 |
| 19 | 12601271 | 6 | Rondella ondulata | Corrugated washer | | | | | |
| 20 | 12574211 | 6 | Dado | Nut | 52 | 121553 | 1 | Controflangia per anello | Backplate for ring |
| 21 | 102704 | 2 | Grano | Dowel | 53 | 121658 | 1 | Supporto galoppino | Support |
| 22 | 11500421 | 3 | Prigioniero | Stud | 54 | 121659 | 1 | Puleggia | Pulley |
| 23 | 13516821 | 4 | Prigioniero | Stud | 55 | 105048 | 1 | Perno | Pin |
| 24 | 16100811 | 4 | Dado | Nut | 56 | 107841 | 1 | Distanziale | Spacer |
| 25 | 105196 | 1 | Anello di tenuta | Sealing ring | 57 | 107842 | 1 | Distanziale | Spacer |
| 26 | 106241 | 1 | Raccordo | Union | 58 | 11059076 | 1 | Seeger | Seeger |
| 27 | 111481 | 1 | Guarnizione - No per C8 | Gasket - Not for C8 | 59 | 16105121 | 1 | Dado | Nut |
| 27 | 132981 | 1 | Guarnizione - Per C8 | Gasket - For C8 | 60 | 103025 | 1 | Rondella | Washer |
| 28 | 105165 | 1 | Bocchettone uscita acqua | Water outlet union | 61 | 105038 | 2 | Cuscinetto | Bearing |
| 29 | 105189 | 1 | Guarnizione | Gasket | | | | | |

<https://www.3mondial.com>



3MONDIAL
3.2

FRIZIONE E COMANDI
CLUTCH SYSTEM AND CONTROL

TAV. 25
DATA: OTTOBRE 87

04216

TAVOLA 25

| Rif. | Dis. No. Part No. | Q.ty | DENOMINAZIONE | DESCRIPTION |
|------|----------------------|------|--|--|
| - | 130525 | 1 | Campana frizione completa | Clutch housing, complete |
| 1 | 126026 | 1 | Campana frizione Col complessivo n. 130525 | Clutch housing With assembly no. 130525 |
| 2 | 109404 | 1 | Coperchio ispezione | Inspection cover |
| 3 | 102704 | 2 | Grano di centraggio coperchio | Centering dowel |
| 4 | 11000921 | 1 | Prigioniero corto | Short stud |
| 5 | 12601171 | 2 | Rondella | Washer |
| 6 | 15896411 | 2 | Dado | Nut |
| 7 | 13516521 | 4 | Prigioniero | Stud |
| 8 | 106852 | 4 | Rondella | Washer |
| 9 | 16102311 | 4 | Dado | Nut |
| 10 | 13517621 | 2 | Prigioniero | Stud |
| 11 | 13517521 | 8 | Prigioniero | Stud |
| 12 | 14326150 | 1 | Tappo | Plug |
| 13 | 10298460 | 1 | Guarnizione | Gasket |
| 14 | 14326540 | 1 | Tappo scarico olio | Oil drain plug |
| 15 | 10279560 | 1 | Guarnizione | Gasket |
| - | 121478 | 1 | Frizione 9" 1/2 (non a ricambio) | Clutch * 1/2 (not for spare) |
| 16 | 121562 | 1 | Spingidisco frizione | Pressure plate |
| 17 | 120482 | 1 | Disco frizione | Clutch disc |
| 18 | 13825821 | 6 | Bullone | Bolt |
| - | 134997 | 1 | Frizione 9" 1/2 (non a ricambio) | Clutch * 1/2 (not for spare) |
| 16 | 121562 | 1 | Spingidisco frizione | Pressure plate |
| 17 | 134996 | 1 | Disco frizione | Clutch disc |
| 18 | 13825821 | 6 | Bullone | Bolt |
| 19 | 133398 | 1 | Albero frizione | Clutch shaft |
| 20 | 103042 | 1 | Cuscinetto | Bearing |
| 21 | 110314 | 1 | Anello paraolio | Oil retainer |
| 22 | 112399 | 1 | Flangia con manicotto | Flange with sleeve |
| 23 | 100849 | 1 | Cuscinetto reggispinta | Thrust bearing |
| 24 | 108428 | 1 | Leva comando frizione Con l'assieme n. 112398 | Clutch control lever With assembly no. 112398 |
| 25 | 108429 | 1 | Spina | Pin |
| 26 | 112398 | 1 | Assieme leva e alberino comando frizione | Clutch control lever and shaft |
| 27 | 107924 | 1 | Boccola esterna | Outer bush |
| 28 | 107925 | 1 | Boccola intermedia | Intermediate bush |
| 29 | 107926 | 1 | Boccola interna | Inner bush |
| 30 | 109405 | 1 | Guarnizione coperchietto | Gasket for inspection cover |
| 31 | 108430 | 1 | Rondella | Washer |
| 32 | 12574121 | 2 | Dado | Nut |
| 33 | 116326 | 1 | Boccola porta cuscinetto | Bushing for bearing |
| 34 | 100860 | 1 | Snodo sferico | qball joint |
| 35 | 108868 | 1 | Bocchettone | Union |
| 36 | 107867 | 1 | Cilindretto comando frizione ø 13/16" | Control pin for clutch ø 13/16" |
| 37 | 112393 | 1 | Supporto sul corpo intermedio | Support |
| 38 | 109527 | 1 | Puntalino | Push rod |
| 39 | 11068475 | 1 | Seeger arresto cilindretto | Stop ring |
| 40 | 103218 | 1 | Perno | Pin |
| 41 | 12639701 | 1 | Rondella | Washer |
| 42 | 10734201 | 1 | Copiglia | Split pin |
| 43 | 112895 | 1 | (1B) Tubo comando frizione | (1B) Hose |
| 43 | 122024 | 1 | (2B) Tubo comando frizione - GS | (2B) Hose - LHD |
| 43 | 124153 | 1 | (2B) Tubo comando frizione - GD | (2B) Hose - RHD |
| 43 | 132220 | 1 | (1A) Tubo comando frizione - GS | (1A) Hose - LHD |
| 43 | 134472 | 1 | (1A) Tubo comando frizione - GD | (1A) Hose - RHD |
| 43 | 134473 | 1 | (2A) Tubo comando frizione - GS | (2A) Hose - LHD |
| 43 | 134474 | 1 | (2A) Tubo comando frizione - GD | (2A) Hose - RHD |
| 44 | 108865 | 1 | Tubo | Tube |
| 45 | 110810 | 1 | Piastrina fissaggio tubo | Plate for tube |
| 46 | 111273 | 1 | Molla | Spring |
| 47 | 111274 | 1 | Cilindretto | Small cylinder |
| 48 | 111275 | 1 | Anello di tenuta sul cilindretto | Seal ring |
| 49 | 111277 | 1 | Seeger | Seeger ring |
| 50 | 111276 | 1 | Soffietto | Bellows |
| 51 | 126044 | 1 | Tubo sfiato | Breather pipe |
| 52 | 126046 | 1 | Tappo per sfiato | Plug |
| 53 | 10263460 | 1 | Guarnizione | Gasket |
| 54 | 12625201 | 1 | Rondella | Washer |
| 55 | 12604571 | 2 | Rondella | Washer |
| 56 | 11001121 | 1 | Prigioniero lungo | Long stud |

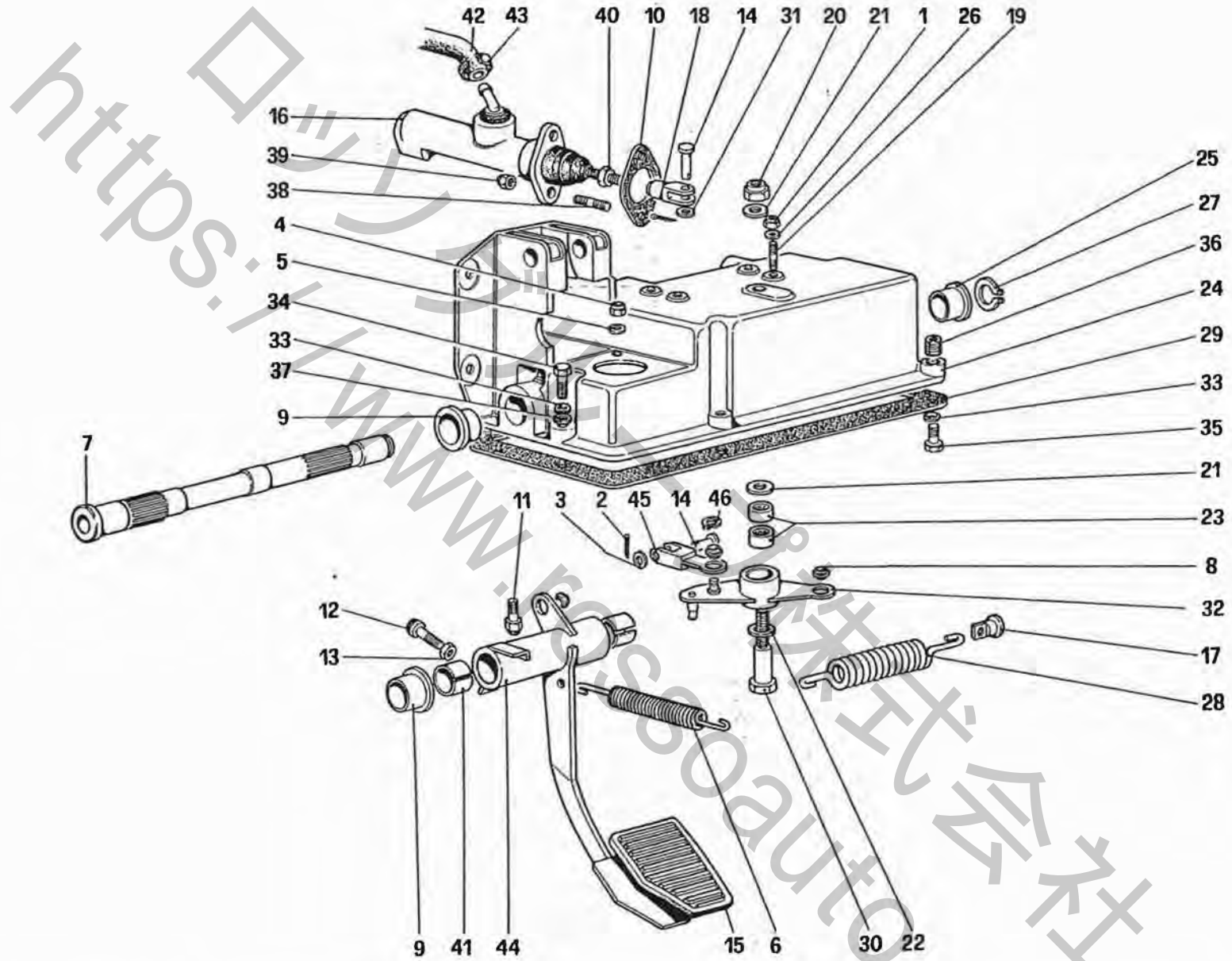


TAVOLA 26

| Rif. | Dis. No. Part No. | Q.ty | DENOMINAZIONE | DESCRIPTION | Rif. | Dis. No. Part No. | Q.ty | DENOMINAZIONE | DESCRIPTION |
|------|----------------------|------|----------------------------------|-----------------|------|----------------------|------|---|---|
| 1 | 12574121 | 4 | Dado | Nut | 25 | 124686 | 1 | Boccola | Bush |
| 2 | 10734201 | 2 | Copiglia | Split pin | 26 | 12637801 | 4 | Rondella | Washer |
| 3 | 10519601 | 2 | Rondella | Washer | 27 | 11066676 | 1 | Anello elastico | Spring ring |
| 4 | 16100821 | 1 | Dado | Nut | 28 | 114826 | 1 | Molla assistenza | Helper spring |
| 5 | 12601371 | 1 | Rondella | Washer | 29 | 119331 | 1 | Guarnizione | Gasket |
| 6 | 104895 | 1 | Molla richiamo pedale | Return spring | 30 | 114830 | 1 | Perno per leva rinvio | Pin for return lever |
| 7 | 112152 | 1 | Perno supporto pedali | Pin | 31 | 12642701 | 1 | Rondella | Washer |
| 8 | 109407 | 3 | Snodo sferico | Ball joint | 32 | 121206 | 1 | Leva rinvio | Lever |
| 9 | 124687 | 2 | Boccola | Bush | 33 | 106852 | 5 | Rondella | Washer |
| 10 | 124469 | 1 | Distanziale | Spacer | 34 | 16043821 | 3 | Vite | Screw |
| 11 | 114825 | 1 | Puntalino d'arresto | Stop push rod | 35 | 16043421 | 2 | Vite | Screw |
| 12 | 123961 | 1 | Puntalino d'arresto | Stop push rod | 36 | 124777 | 2 | Heli - coil | Heli - coil |
| 13 | 16102311 | 1 | Dado | Nut | 37 | 10519621 | 3 | Rondella | Washer |
| 14 | 10050810 | 3 | Perno | Pin | 38 | 12354521 | 2 | Prigioniero | Stud |
| 15 | 106949 | 1 | Gommino copripedale | Pedal cover | 39 | 16104111 | 2 | Dado | Nut |
| 16 | 108419 | 1 | Pompa comando idraulico frizione | Master cylinder | 40 | 16102311 | 1 | Controdado | Lock nut |
| 17 | 114828 | 1 | Perno tenuta molla | Pin | 41 | 103163 | 2 | Boccola | Bush |
| 18 | 10007871 | 1 | Forcellino | Fork | 42 | 120929 | 1 | Tubo dalla vaschetta alla pompa frizione | Feed pipe for clutch master cylinder |
| 19 | 11000921 | 4 | Prigioniero | Stud | 43 | 12179190 | 2 | Fascetta | Clamp |
| 20 | 16105121 | 1 | Dado autobloccante | Selflocking nut | 44 | 121203 | 1 | Pedale frizione | Clutch pedal |
| 21 | 113500 | 2 | Rondella | Washer | 45 | 121209 | 1 | Forcellino | Fork |
| 22 | 112126 | 1 | Rondella di rasamento | Shim | 46 | 11065676 | 1 | Anello seeger | Seeger ring |
| 23 | 115430 | 2 | Astuccio a rullini | Roller cage | | | | | |
| 24 | 119158 | 1 | Supporto pedaliera | Pedal case | | | | | |

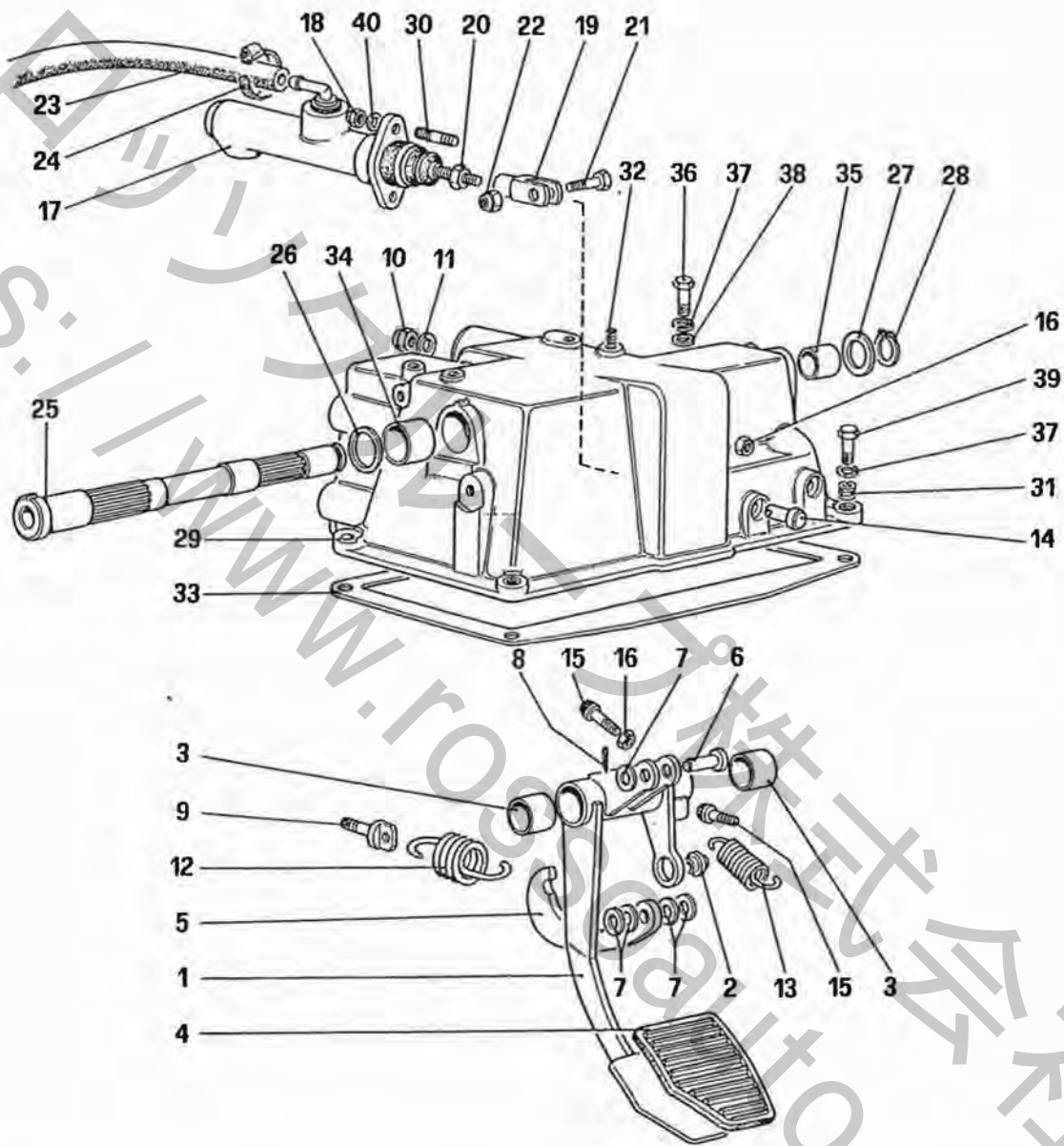
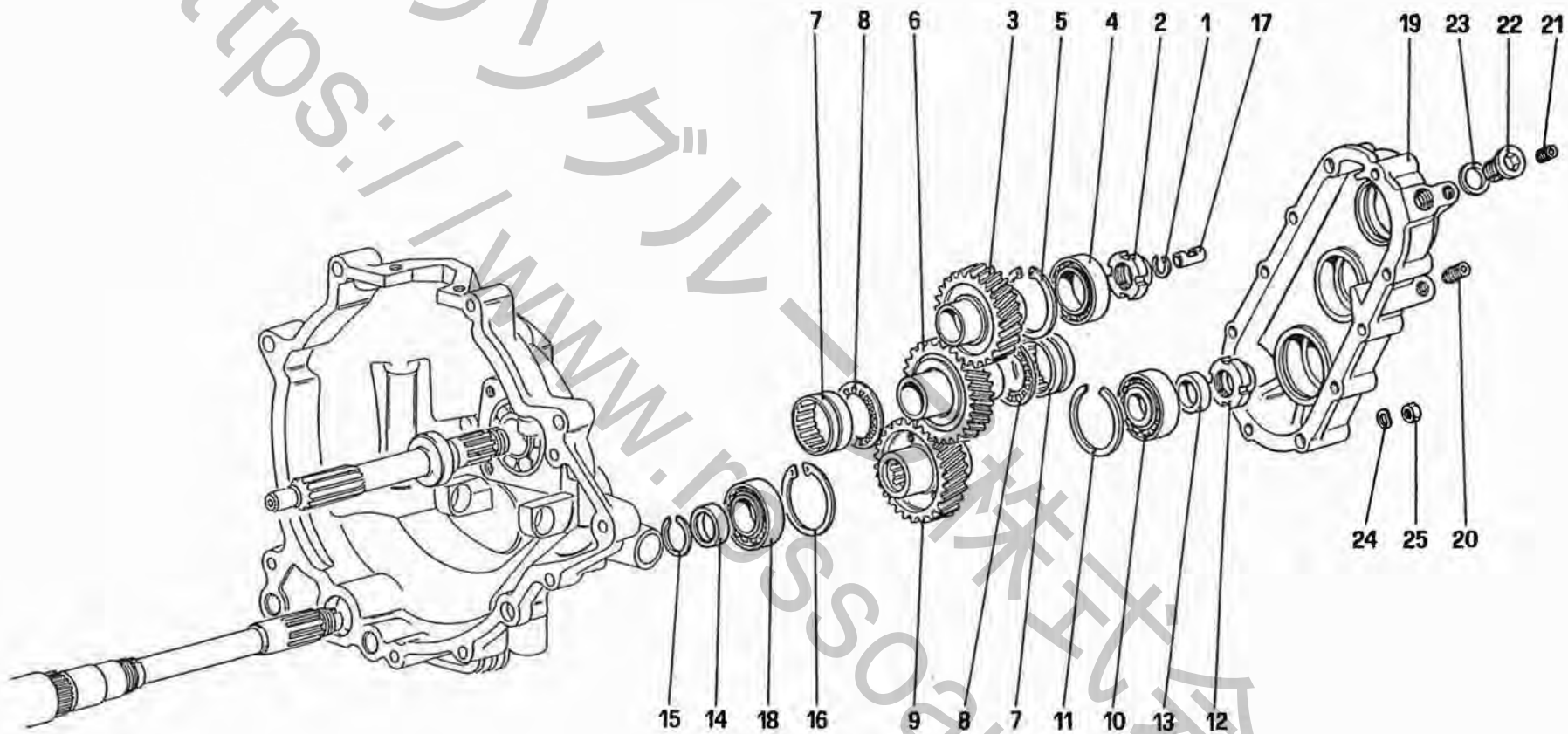


TAVOLA 27

| Rif. | Dis. No. Part No. | Q.ty | DENOMINAZIONE | DESCRIPTION | Rif. | Dis. No. Part No. | Q.ty | DENOMINAZIONE | DESCRIPTION |
|------|----------------------|------|------------------------|-----------------|------|----------------------|------|-------------------------------|------------------|
| 1 | 129622 | 1 | Pedale frizione | Clutch pedal | 26 | 112125 | 1 | Rondella di rasamento | Shim |
| 2 | 109407 | 1 | Snodo sferico | Ball joint | 27 | 112127 | 1 | Rondella di rasamento mm. 0,9 | Shim, 0,9 mm. |
| 3 | 103163 | 2 | Boccola | Bush | | | | Di eventuale montaggio | Possible fitting |
| 4 | 106949 | 1 | Gommino copripedale | Pedal cover | - | 112128 | 1 | Rondella di rasamento mm. 1,0 | Shim, 1,0 mm. |
| 5 | 129628 | 1 | Leva rinvio | Return lever | | | | Di eventuale montaggio | Possible fitting |
| 6 | 117092 | 1 | Perno | Pin | - | 112129 | 1 | Rondella di rasamento mm. 1,1 | Shim, 1,1 mm. |
| 7 | 102901 | 5 | Rondella | Washer | | | | Di eventuale montaggio | Possible fitting |
| 8 | 10796401 | 1 | Copiglia | Split pin | - | 112130 | 1 | Rondella di rasamento mm. 1,2 | Shim, 1,2 mm. |
| 9 | 129629 | 1 | Perno per molla | Pin for spring | | | | Di eventuale montaggio | Possible fitting |
| 10 | 16104121 | 1 | Dado autobloccante | Selflocking nut | - | 112131 | 1 | Rondella di rasamento mm. 1,3 | Shim, 1,3mm. |
| 11 | 12601371 | 1 | Rondella | Washer | | | | Di eventuale montaggio | Possible fitting |
| 12 | 117091 | 1 | Molla | Spring | 28 | 11066676 | 1 | Anello seeger | Seeger ring |
| 13 | 101305 | 1 | Molla richiamo pedale | Return spring | 29 | 129614 | 1 | Supporto pedaliera | Pedal case |
| 14 | 129612 | 1 | Perno | Pin | 30 | 13516821 | 2 | Prigioniero | Stud |
| 15 | 123961 | 2 | Puntalino d'arresto | Stop push rod | 31 | 13525770 | 2 | Heli - coil | Heli - coil |
| 16 | 16102311 | 2 | Dado | Nut | 32 | 13525170 | 4 | Heli - coil | Heli - coil |
| 17 | 129630 | 1 | Pompa comando frizione | Master cylinder | 33 | 129615 | 1 | Guarnizione | Gasket |
| 18 | 133215 | 2 | Dado autobloccante | Selflocking nut | 34 | 101314 | 1 | Boccola | Bush |
| 19 | 10248271 | 1 | Forcellino | Fork | 35 | 112153 | 1 | Boccola | Bush |
| 20 | 16102311 | 1 | Controdado | Lock nut | 36 | 16043621 | 2 | Vite | Screw |
| 21 | 130926 | 1 | Vite | Screw | 37 | 127496 | 4 | Rondella | Washer |
| 22 | 16104411 | 1 | Dado autobloccante | Selflocking nut | 38 | 10519601 | 2 | Rondella | Washer |
| 23 | 120929 | 1 | Tubo | Pipe | 39 | 16043321 | 2 | Vite | Screw |
| 24 | 12179490 | 2 | Fascella | Clamp | 40 | 12638501 | 2 | Rondella | Washer |
| 25 | 129613 | 1 | Perno supporto pedali | Pin | | | | | |

<https://www.italmagnum.com>



3MONDIAL
2

RINVIO CAMBIO
GEARBOX TRANSMISSION

TAV. 28
DATA: OTTOBRE 87

04610

TAVOLA 28

| Rif. | Dis. No. Part No. | Q.ty | DENOMINAZIONE | DESCRIPTION | Rif. | Dis. No. Part No. | Q.ty | DENOMINAZIONE | DESCRIPTION |
|------|----------------------|------|--|--|------|----------------------|------|--------------------------------|-----------------------|
| 1 | 109342 | 1 | Anello di spallamento | Ring | 10 | 126234 | 1 | Cuscinetto sul coperchio | Bearing |
| 2 | 125500 | 1 | Ghiera | Ring nut | 11 | 126861 | 1 | Anello seeger | Seeger ring |
| 3 | 126850 | 1 | Ingranaggio conduttore No per C7 e C8 | Driving gear Not for C7 and C8 | 12 | 126853 | 1 | Ghiera | Ring nut |
| 3 | 128331 | 1 | Ingranaggio conduttore Per C7 e C8 | Driving gear For C7 and C8 | 13 | 126859 | 1 | Distanziale | Spacer |
| 4 | 112981 | 1 | Cuscinetto | Bearing | 14 | 105134 | 1 | Distanziale per cuscinetto | Spacer for bearing |
| 5 | 11061076 | 1 | Anello seeger | Seeger ring | 15 | 105138 | 1 | Anello di arresto | Stop ring |
| 6 | 119722 | 1 | Ingranaggio intermedio No per C7 e C8 | Intermediate gear Not for C7 and C8 | 16 | 11061076 | 1 | Anello seeger | Seeger ring |
| 6 | 126066 | 1 | Ingranaggio intermedio Per C7 e C8 | Intermediate gear For C7 and C8 | 17 | 109336 | 1 | Tubetto raccolta olio | Oil recovery pipe |
| 7 | 105142 | 2 | Cuscinetto a rullini | Roller bearing | 18 | 108655 | 1 | Cuscinetto per albero primario | Bearing for mainshaft |
| 8 | 105143 | 2 | Cuscinetto assiale a rullini | Axial roller bearing | 19 | 127120 | 1 | Coperchio | Cover |
| 9 | 126863 | 1 | Ingranaggio condotto No per C7 e C8 | Driven gear Not for C7 and C8 | 20 | 14326150 | 1 | Tappo | Plug |
| 9 | 128332 | 1 | Ingranaggio condotto Per C7 e C8 | Driven gear For C7 and C8 | 21 | 10269450 | 1 | Tappo | Plug |
| | | | | | 22 | 10275001 | 1 | Tappo carico olio | Plug |
| | | | | | 23 | 10279560 | 1 | Guarnizione | Gasket |
| | | | | | 24 | 11194071 | 10 | Rondella | Washer |
| | | | | | 25 | 16100811 | 10 | Dado | Nut |

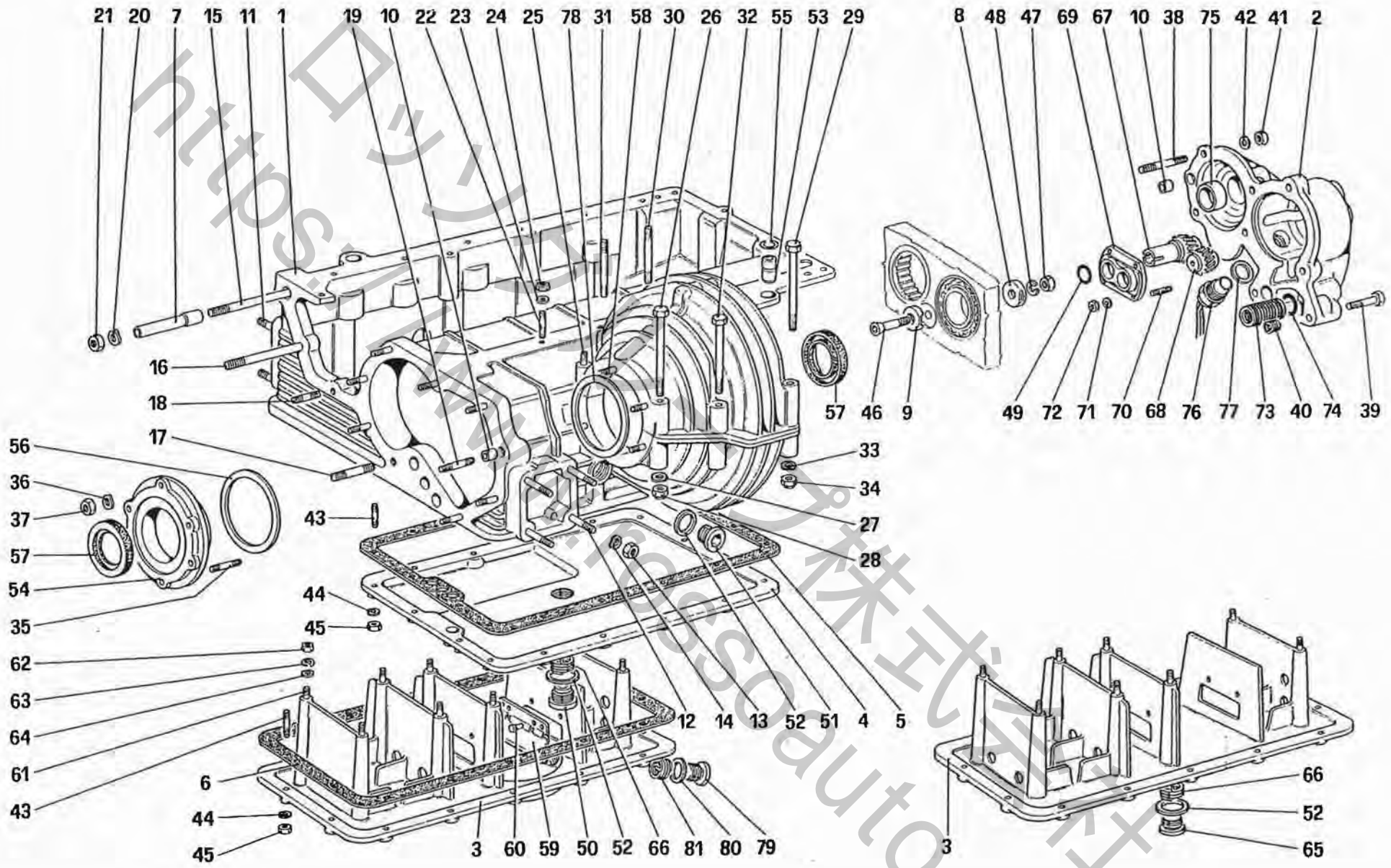


TAVOLA 29

| Rif. | Dis. No. Part No. | Q.ty | DENOMINAZIONE | DESCRIPTION | Rif. | Dis. No. Part No. | Q.ty | DENOMINAZIONE | DESCRIPTION |
|------|----------------------|------|---|--|------|----------------------|------|---|---|
| - | 115179 | | Scatola cambio completa | Complete gearbox | 44 | 11197771 | 30 | Rondella | Washer |
| 1 | 118341 | 1 | Scatola cambio differenziale e coppa olio - Col complessivo n. 115179 | Gearbox differential and oil sump With assembly no. 115179 | 45 | 15896211 | 30 | Dado | Nut |
| 1 | 131176 | 1 | Scatola cambio differenziale e coppa olio - Per USA, M.Y. 87 | Gearbox differential and oil sump For US M.Y. 87 | 46 | 104218 | 1 | Vite | Screw |
| 2 | 113073 | 1 | Coperchio posteriore - Col complessivo n. 115179 | Rear cover - With assembly no. 115179 | 47 | 16100811 | 1 | Dado | Nut |
| - | 107875 | 1 | Coperchio coppa olio completo Fino al motore n. 1391 EUR. - 685 USA | Oil sump cover, complete Up to engine no. 1391 EUR. - 685 US | 48 | 106852 | 1 | Rondella | Washer |
| 3 | 104192 | 1 | Coperchio coppa olio - Col complessivo n. 107875 | Oil sump cover - With assembly no. 107875 | 49 | 101032 | 1 | Anello di tenuta | Sealing ring |
| - | 130919 | 1 | Coperchio coppa olio completo Vale dal motore n. 1392 EUR. - 686 USA | Oil sump cover, complete From engine no. 1392 EUR. - 686 USA | 50 | 104280 | 1 | Tappo | Plug |
| 3 | 129553 | 1 | Coperchio coppa olio - Col complessivo n. 130919 | Oil sump cover - With assembly no. 130919 | 51 | 10275001 | 1 | Tappo | Plug |
| 4 | 115353 | 1 | Coperchio inferiore | Lower cover | 52 | 10263460 | 3 | Guarnizione | Gasket |
| 5 | 104196 | 1 | Guarnizione | Gasket | 53 | 103838 | 1 | Grano | Dowel |
| 6 | 104197 | 1 | Guarnizione | Gasket | 54 | 108226 | 1 | Coperchio laterale differenziale Con l'assieme n. 115179 | Differential side code With assembly no. 115179 |
| 7 | 104033 | 1 | Grano di centraggio - Fino vettura n. 71797 | Centering dowel - Until car no. 71797 | 55 | 103839 | | Anellino | Ring |
| 7 | 134480 | 1 | Grano di centraggio - Dalla vettura n. 71799 | Centering dowel - From car no. 71799 | 56 | 103422 | 1 | Distanziale per cuscinetto Sx. sp. mm. 2,4 (di eventuale montaggio) | Spacer for L.H. bearing, thickness mm. 2,4 (eventual use) |
| 8 | 104198 | 1 | Rondella tenuta cuscinetti | Washer | - | 132923 | 1 | Idem spessore mm. 2,45 | Ditto thickness mm. 2,45 |
| 9 | 104199 | 1 | Rondella tenuta cuscinetti | Washer | - | 132924 | 1 | Idem spessore mm. 2,50 | Ditto thickness mm. 2,50 |
| 10 | 102704 | 2 | Grano di centraggio | Centering dowel | - | 132925 | 1 | Idem spessore mm. 2,55 | Ditto thickness mm. 2,55 |
| 11 | 13449321 | 8 | Prigioniero per tamponi anteriori | Stud for front pads | - | 103423 | 1 | Idem spessore mm. 2,60 | Ditto thickness mm. 2,60 |
| 12 | 13450021 | 8 | Prigioniero per tamponi posteriori | Stud for rear pads | - | 132926 | 1 | Idem spessore mm. 2,65 | Ditto thickness mm. 2,65 |
| 13 | 12164711 | 16 | Dado | Nut | - | 132927 | 1 | Idem spessore mm. 2,70 | Ditto thickness mm. 2,70 |
| 14 | 106853 | 16 | Rondella | Washer | - | 132928 | 1 | Idem spessore mm. 2,75 | Ditto thickness mm. 2,75 |
| 15 | 13952821 | 1 | Prigioniero | Stud | - | 103424 | 1 | Idem spessore mm. 2,80 | Ditto thickness mm. 2,80 |
| 16 | 13952621 | 1 | Prigioniero | Stud | - | 132929 | 1 | Idem spessore mm. 2,85 | Ditto thickness mm. 2,85 |
| 17 | 13517421 | 1 | Prigioniero | Stud | - | 132930 | 1 | Idem spessore mm. 2,90 | Ditto thickness mm. 2,90 |
| 18 | 13517221 | 8 | Prigioniero | Stud | - | 132931 | 1 | Idem spessore mm. 2,95 | Ditto thickness mm. 2,95 |
| 19 | 13517321 | 1 | Prigioniero | Stud | - | 103425 | 1 | Idem spessore mm. 3,00 | Ditto thickness mm. 3,00 |
| 20 | 11198071 | 12 | Rondella | Washer | - | 103426 | 1 | Idem spessore mm. 3,20 | Ditto thickness mm. 3,20 |
| 21 | 16100811 | 12 | Dado | Nut | - | 109145 | 1 | Idem spessore mm. 4,30 | Ditto thickness mm. 4,30 |
| 22 | 108966 | 4 | Prigioniero fissaggio basamento | Stud for crankcase | 57 | 125078 | 1 | Anello di tenuta | Sealing ring |
| 23 | 11198071 | 4 | Rondella | Washer | 58 | 13543421 | 1 | Prigioniero | Stud |
| 24 | 16100811 | 4 | Dado | Nut | 59 | 107589 | 2 | Paratia verticale | Vertical protection |
| 25 | 13450421 | 4 | Prigioniero | Stud | 60 | 100033 | 4 | Ribaltino | Rivet |
| 26 | 15972021 | 2 | Bullone | Bolt | 61 | 13539021 | 8 | Prigioniero per paratia inferiore | Stud for lower |
| 27 | 12638601 | 2 | Rondella | Washer | 62 | 15896411 | 8 | Dado | Nut |
| 28 | 12574511 | 4 | Dado autobloccante | Selflocking nut | 63 | 106849 | 8 | Rondella elastica | Spring washer |
| 29 | 104189 | 4 | Bullone | Bolt | 64 | 12638101 | 8 | Rondella | Washer |
| 30 | 13518021 | 1 | Prigioniero | Stud | 65 | 10275040 | 1 | Tappo - Per coperchio n. 107875 | Plug - For cover no. 107875 |
| 31 | 13517821 | 2 | Prigioniero | Stud | 66 | 112254 | 2 | Heli - coil | Heli - coil |
| 32 | 107711 | 1 | Bullone | Bolt | 67 | 116953 | 1 | Ingranaggio conduttore pompa olio | Oil pump drive gear |
| 33 | 10519601 | 1 | Rondella | Washer | 68 | 113082 | 1 | Ingranaggio condotto pompa olio | Oil pump driven gear |
| 34 | 16104111 | 5 | Dado autobloccante | Selflocking nut | 69 | 113086 | 1 | Coperchio pompa olio | Oil pump cover |
| 35 | 12429721 | 5 | Prigioniero | Stud | 70 | 11000921 | 4 | Prigioniero | Stud |
| 36 | 12601371 | 6 | Rondella elastica | Spring washer | 71 | 12601171 | 4 | Rondella | Washer |
| 37 | 16104111 | 6 | Dado | Nut | 72 | 15896411 | 4 | Dado | Nut |
| 38 | 13517221 | 5 | Prigioniero | Stud | 73 | 115538 | 1 | Filtro pompa olio | Oil pump filter |
| 39 | 16044121 | 2 | Vite | Screw | 74 | 101034 | 1 | Anello di tenuta | Sealing ring |
| - | 16044221 | 1 | Vite fiss. coperchio e massa gruppo propulsore | Screw for cover and propelling unit earth | 75 | 113088 | 1 | Sede | Seat |
| 40 | 13525770 | 3 | Heli - coil | Heli - coil | 76 | 116987 | 1 | Generatore di impulsi | Pulse generator |
| 41 | 16100811 | 5 | Dado | Nut | 77 | 10263460 | 1 | Guarnizione | Gasket |
| 42 | 11198071 | 8 | Rondella | Washer | 78 | 103424 | 1 | Distanziale per cuscinetto Dx. | Spacer for R.H. bearing |
| 43 | 13541121 | 30 | Prigioniero | Stud | 79 | 103974 | 1 | Tappo | Plug |
| | | | | | 80 | 10257060 | 1 | Guarnizione | Gasket |
| | | | | | 81 | 111352 | 1 | Heli - coil | Heli - coil |
| | | | | | | | | Per coperchio n. 129553 | With cover no. 129553 |

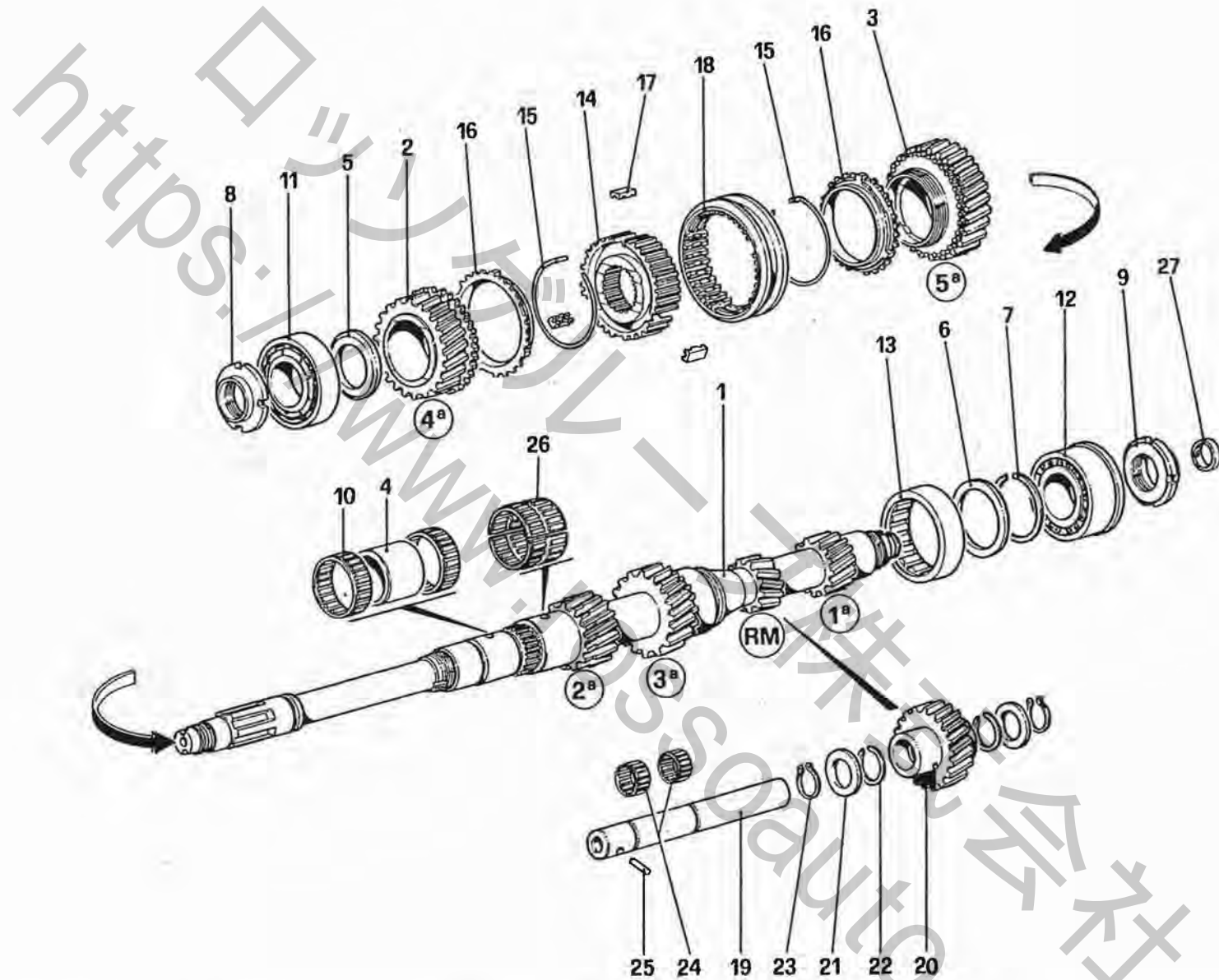
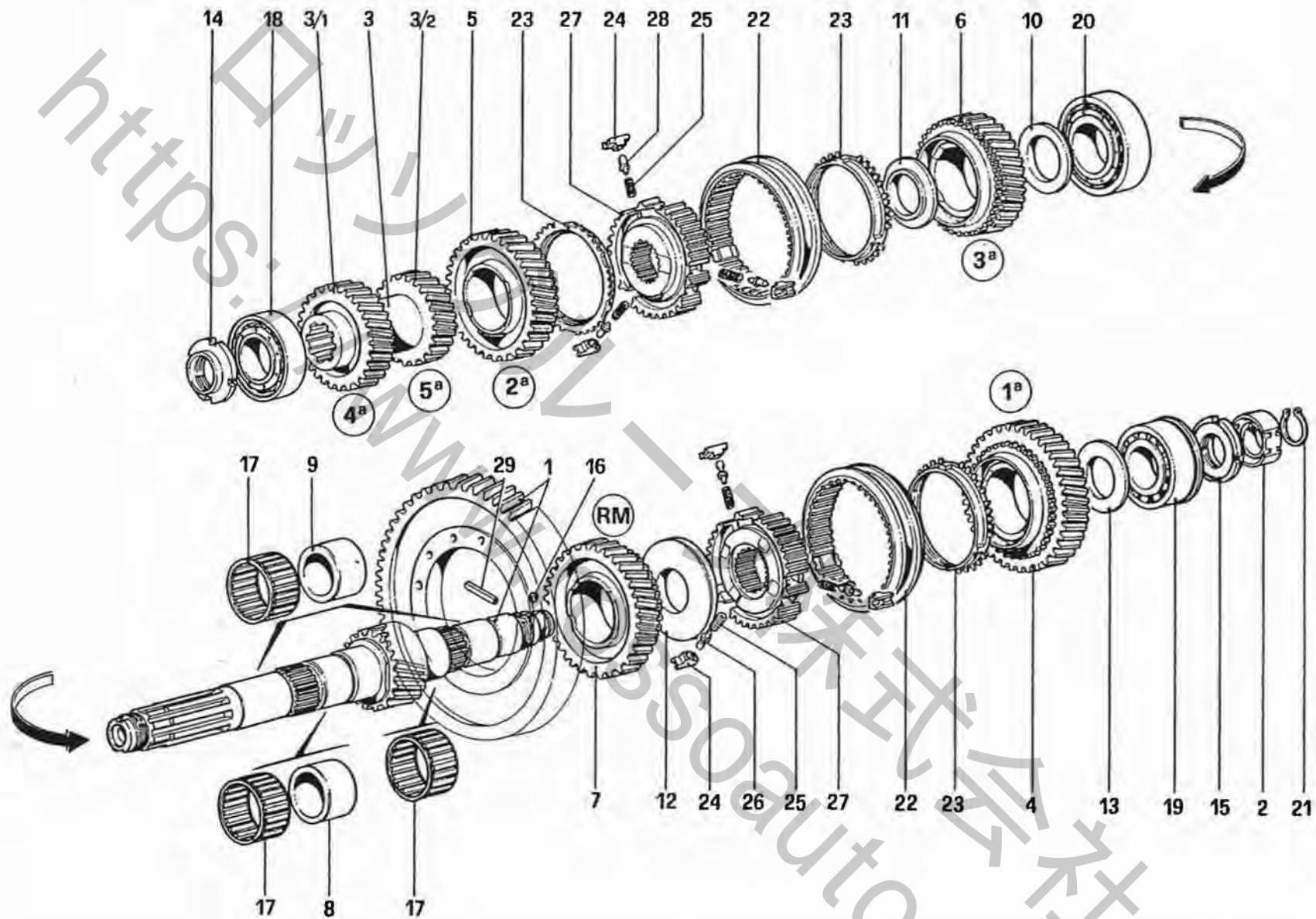


TAVOLA 30

| Rif. | Dis. No. Part No. | Q.ty | DENOMINAZIONE | DESCRIPTION | Rif. | Dis. No. Part No. | Q.ty | DENOMINAZIONE | DESCRIPTION |
|------|----------------------|------|--|---|------|----------------------|------|---|---|
| 1 | 126843 | 1 | Abero primario | Mainshaft | 15 | 108363 | 2 | Molla ad anello per tassello | Ring spring |
| 2 | 119718 | 1 | Ingranaggio 4ª velocità Fino cambio n. 674-177 CH | Gear, 4th speed Until gearbox no. 674-177 CH | 16 | 106048 | 2 | Anello flottante sincronizzatore Fino cambio n. 674-177 CH | Synchromesh ring Until gearbox no. 674-177 CH |
| 2 | 132826 | 1 | Ingranaggio 4ª velocità Dal cambio n. 675-178 CH | Gear, 4th speed Starting from gearbox no. 675-178 CH | 16 | 131799 | 2 | Anello flottante sincronizzatore Dal cambio n. 675-178 CH | Synchromesh ring Starting from gearbox no. 675-178 CH |
| 3 | 119719 | 1 | Ingranaggio 5ª velocità Fino cambio n. 674-177 CH | Gear, 5th speed Until gearbox no. 674-177 CH | 17 | 126201 | 3 | Tassello per sincronizzatore | Pad for synchronizer |
| 3 | 132827 | 1 | Ingranaggio 5ª velocità Dal cambio n. 675-178 CH | Gear, 5th speed Starting from gearbox no. 675-178 CH | 18 | 106051 | 1 | Manicotto per sincronizzatore Fino cambio n. 674-177 CH | Sleeve for synchronizer Until gearbox no. 674-177 CH |
| 4 | 113085 | 1 | Pista per rullini 4ª velocità | Bearing race 4th speed | 18 | 131801 | 1 | Manicotto per sincronizzatore Dal cambio n. 675-178 CH | Sleeve for synchronizer Starting from gearbox no. 675-178 CH |
| 5 | 104242 | 1 | Distanziale | Spacer | 19 | 104221 | 1 | Perno per ingranaggio folle RM | Shaft for reverse idle gear |
| 6 | 105538 | 1 | Distanziale | Spacer | 20 | 119713 | 1 | Ingranaggio folle RM | Reverse idle gear |
| 7 | 112699 | 1 | Anello elastico | Spring ring | 21 | 104249 | 2 | Distanziale | Spacer |
| 8 | 104252 | 1 | Ghiera | Ring nut | 22 | 104250 | 2 | Anello elastico | Spring ring |
| 9 | 104253 | 1 | Ghiera | Ring nut | 23 | 11067076 | 2 | Anello elastico | Spring ring |
| 10 | 104255 | 2 | Gabbia a rullini per 4ª velocità | Roller cage, 4th speed | 24 | 104256 | 2 | Gabbia a rullini ingranaggio folle RM | Roller cage for reverse idle gear |
| 11 | 108656 | 1 | Cuscinetto lato frizione | Bearing, clutch side | 25 | 10336210 | 1 | Spina | Pin |
| 12 | 103042 | 1 | Cuscinetto | Bearing | 26 | 109002 | 2 | Gabbia a rullini per 5ª velocità | Roller cage, 5th speed |
| 13 | 105539 | 1 | Cuscinetto centrale | Central bearing | 27 | 113087 | 1 | Anello | Ring |
| 14 | 106046 | 1 | Corpo sincronizzatore | Synchronizer | | | | | |



3.2 MONDIAL

RUOTISMI ALBERO SECONDARIO CAMBIO
LAY SHAFT GEARS

TAV. 31
DATA: OTTOBRE 87

TAVOLA 31

| Rif. | Dis. No. Part No. | Q.ty | DENOMINAZIONE | DESCRIPTION | Rif. | Dis. No. Part No. | Q.ty | DENOMINAZIONE | DESCRIPTION |
|------|----------------------|------|---|---|------|----------------------|------|--|---|
| 1 | 119763 | 1 | Coppia cilindrica completa No per USA - C6 - C7 e C8 | Crown and pinion, complete Not for US - C6 - C7 and C8 | 6 | 132825 | 1 | Ingranaggio 3ª velocità | Gear, 3rd speed |
| - | 119761 | 1 | Albero secondario Col complessivo n. 119763 | Layshaft With assembly no. 119763 | 7 | 119720 | 1 | Ingranaggio RM Fino cambio n. 674-177 CH | Starting from gearbox no. 675-178 CH Gear, reverse Until gearbox no. 674-177 CH |
| 1 | 119725 | 1 | Coppia cilindrica completa Per USA | Crown and pinion, complete For US | 7 | 132828 | 1 | Ingranaggio RM Dal cambio n. 675-178 CH | Gear, reverse Starting from gearbox no. 675-178 CH |
| - | 119706 | 1 | Albero secondario Col complessivo n. 119725 | Layshaft With assembly no. 119725 | 8 | 113083 | 1 | Pista per rullini 3ª velocità | Bearing race, 3rd speed |
| 1 | 119748 | 1 | Coppia cilindrica completa Per C6 | Crown and pinion, complete For C6 | 9 | 113084 | 1 | pista per rullini 1ª e 2ª velocità | Bearing race, 1st - 2nd speeds |
| - | 119741 | 1 | Albero secondario Col complessivo n. 119748 | Layshaft With assembly no. 119748 | 10 | 104245 | 1 | Distanziale | Spacer |
| 1 | 132471 | 1 | Coppia cilindrica completa Per C7 e C8 | Crown and pinion complete For C7 and C8 | 11 | 104246 | 1 | Distanziale | Spacer |
| - | 128990 | 1 | Albero secondario Col complessivo n. 132471 | Layshaft With assembly no. 132471 | 12 | 104247 | 1 | Distanziale | Spacer |
| 2 | 116352 | 1 | Disco trasmettitore per generatore d'impulsi | Disc for pulse generator | 13 | 104248 | 1 | Distanziale | Spacer |
| 3 | 119707 | 1 | Ingranaggio 4ª e 5ª velocità | Gear, 4th - 5th speeds | 14 | 104252 | 1 | Ghiera | Ring nut |
| 3/1 | 129835 | 1 | Ingranaggio 4ª velocità Dopo esaurimento n. 119707 | Gear, 4th speed After exhaustion use no. 119707 | 15 | 104253 | 1 | Ghiera | Ring nut |
| 3/2 | 129836 | 1 | Ingranaggio 5ª velocità Dopo esaurimento n. 119707 | Gear, 5th speed After exhaustion use no. 119707 | 16 | 101611 | 1 | Sfera per vite senza fine | Ball for worm screw |
| 4 | 119715 | 1 | Ingranaggio 1ª velocità Fino cambio n. 674-177 CH | Gear, 1st speed Until gearbox no. 674-177 CH | 17 | 104254 | 4 | Gabbia a rullini 1ª, 2ª, 3ª, velocità e RM | Roller cage for 1st, 2nd, 3rd speeds and reverse |
| 4 | 132823 | 1 | Ingranaggio 1ª velocità Dal cambio n. 675-178 CH | Gear, 1st speed Starting from gearbox no. 675-178 CH | 18 | 108656 | 1 | Cuscinetto lato frizione | Bearing, clutch side |
| 5 | 119716 | 1 | Ingranaggio 2ª velocità Fino cambio n. 674-177 CH | Gear, 2nd speed Until gearbox no. 674-177 CH | 19 | 103042 | 1 | Cuscinetto | Bearing |
| 5 | 132824 | 1 | Ingranaggio 2ª velocità Dal cambio n. 675-178 CH | Gear, 2nd speed Starting from gearbox no. 675-178 CH | 20 | 108657 | 1 | Cuscinetto centrale | Central bearing |
| 6 | 119717 | 1 | Ingranaggio 3ª velocità Fino cambio n. 674-177 CH | Gear, 3rd speed Until gearbox no. 674-177 CH | 21 | 11067376 | 1 | Anello elastico | Spring ring |
| | | | | | 22 | 106038 | 2 | Manicotto per sincronizzatore Fino cambio n. 674-177 CH | Sleeve for synchronizer Unit gearbox no. 674-177 CH |
| | | | | | 22 | 131804 | 2 | Manicotto per sincronizzatore Dal cambio n. 675-178 CH | Sleeve for synchronizer Starting from gearbox no. 675-178 CH |
| | | | | | 23 | 106040 | 3 | Anello flottante sincronizzatore | Synchromesh ring |
| | | | | | 24 | 106042 | 6 | Tassello per sincronizzatore | Pad |
| | | | | | 25 | 106043 | 6 | Molla per puntalino | Spring for pin |
| | | | | | 26 | 106044 | 3 | Puntalino per tassello | Pin |
| | | | | | 27 | 106050 | 2 | Corpo per sincronizzatore | Synchronizer body |
| | | | | | 28 | 113412 | 3 | Puntalino per tassello | Pin |
| | | | | | 29 | 13907570 | 1 | Spina | Plug |

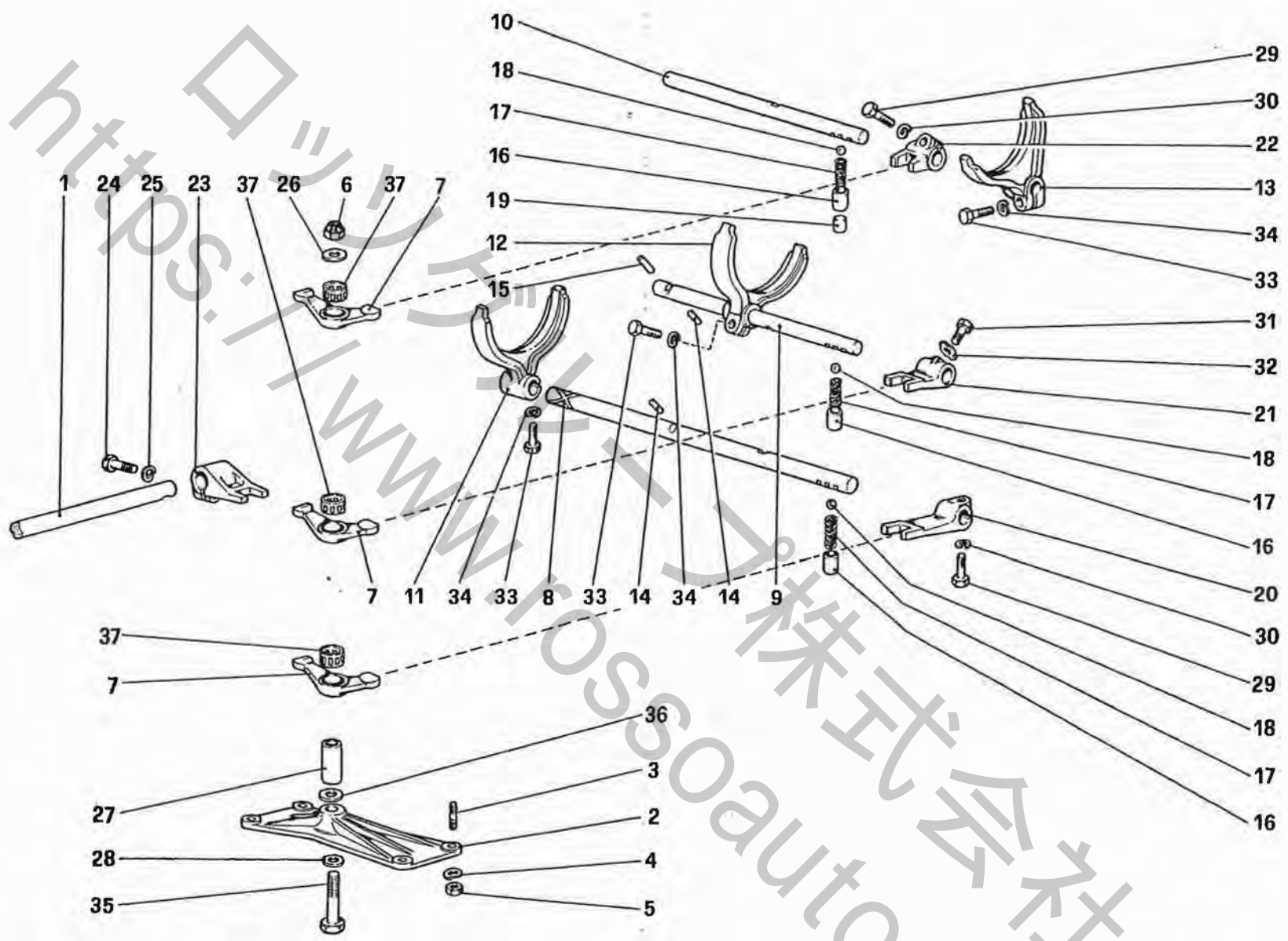


TAVOLA 32

| Rif. | Dis. No. Part No. | Q.ty | DENOMINAZIONE | DESCRIPTION | Rif. | Dis. No. Part No. | Q.ty | DENOMINAZIONE | DESCRIPTION |
|------|----------------------|------|-------------------------------|------------------------------------|------|----------------------|------|--|--|
| 1 | 109767 | 1 | Albero per leva | Shaft for lever | 20 | 115358 | 1 | Forcellino comando asta 1ª velocità e RM | Control fork for 1st speed and reverse |
| 2 | 114864 | 1 | Supporto perno | Support | 21 | 115359 | 1 | Forcellino comando 2ª e 3ª velocità | Control fork for 2nd - 3rd speeds |
| 3 | 11500121 | 4 | Prigioniero | Stud | 22 | 115360 | 1 | Forcellino comando 4ª e 5ª velocità | Control fork for 4th - 5th speeds |
| 4 | 11197771 | 4 | Rondella | Washer | 23 | 106213 | 1 | Leva | Lever |
| 5 | 15896211 | 4 | Dado | Nut | 24 | 16043631 | 1 | Bullone | Bolt |
| 6 | 16109221 | 1 | Dado | Nut | 25 | 106852 | 1 | Rondella | Washer |
| 7 | 115249 | 3 | Bilanciere | Rocker arm | 26 | 114865 | 1 | Rondella | Washer |
| 8 | 120923 | 1 | Asta comando 1ª velocità e RM | Control rod, 1st speed and reverse | 27 | 115374 | 1 | Boccola | Bush |
| 9 | 120924 | 1 | Asta comando 2ª e 3ª velocità | Control rod, 2nd - 3rd speeds | 28 | 108281 | 1 | Rondella | Washer |
| 10 | 120925 | 1 | Asta comando 4ª e 5ª velocità | Control rod, 4th - 5th speeds | 29 | 16043631 | 2 | Bullone | Bolt |
| 11 | 115341 | 1 | Forcella 1ª velocità e RM | Fork, 1st speed and reverse | 30 | 106852 | 2 | Rondella | Washer |
| 12 | 115349 | 1 | Forcella 2ª e 3ª velocità | Fork, 2nd - 3rd speeds | 31 | 104279 | 1 | Bullone | Bolt |
| 13 | 115348 | 1 | Forcella 4ª e 5ª velocità | Fork, 4th - 5th speeds | 32 | 103587 | 1 | Piastrina | Plate |
| 14 | 115355 | 2 | Rullino arresto aste laterali | Stop roller | 33 | 16043631 | 3 | Bullone | Bolt |
| 15 | 115356 | 1 | Rullino arresto aste centrale | Stop roller | 34 | 106852 | 3 | Rondella | Washer |
| 16 | 115376 | 3 | Boccola per puntalino arresto | Bush | 35 | 15541121 | 1 | Bullone | Bolt |
| 17 | 100750 | 3 | Molla | Spring | 36 | 114865 | 1 | Rondella di rasamento | Shim |
| 18 | 101612 | 3 | Sfera | Ball | 37 | 115373 | 3 | Astuccio a rullini | Roller cage |
| 19 | 115357 | 1 | Distanziale | Spacer | | | | | |

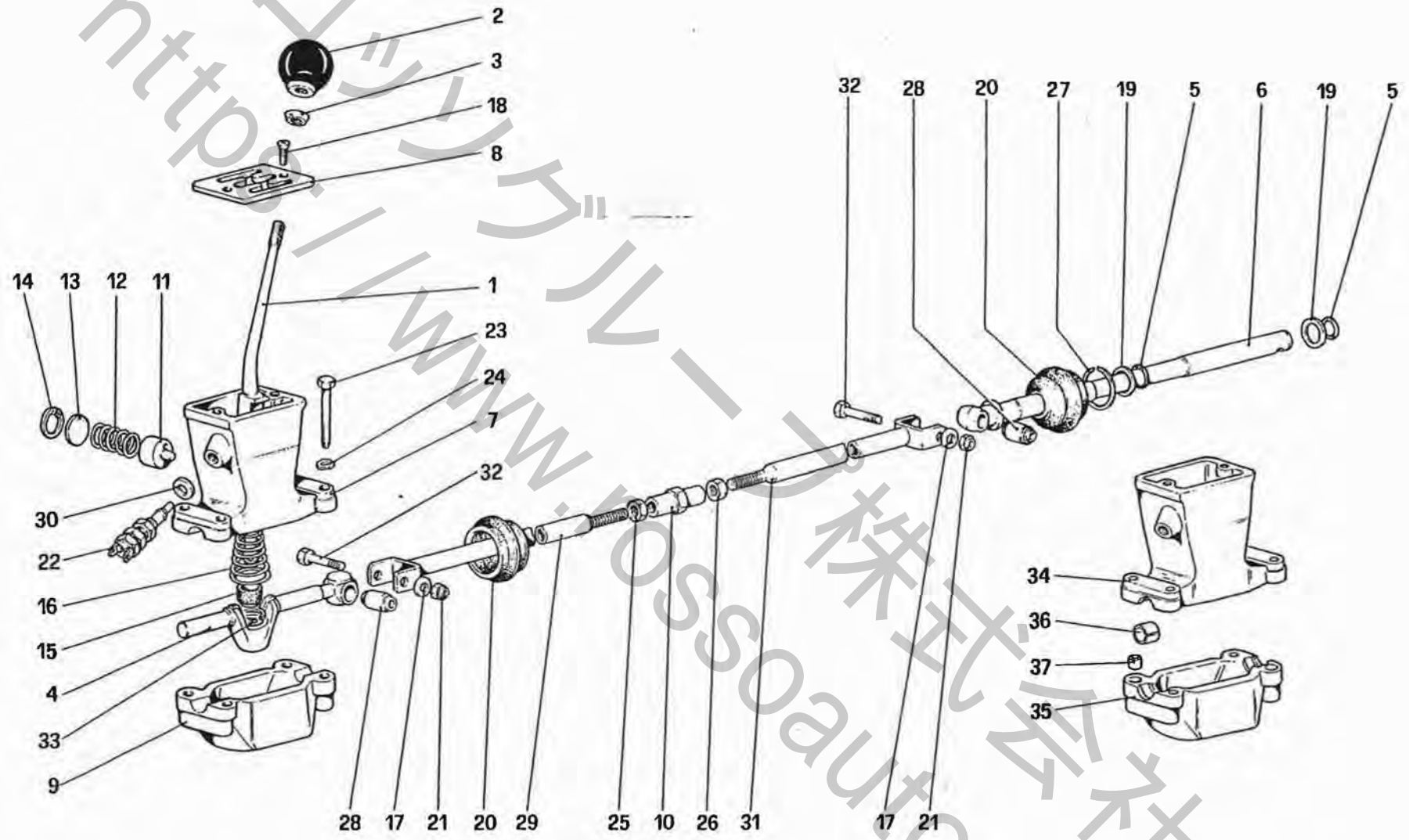
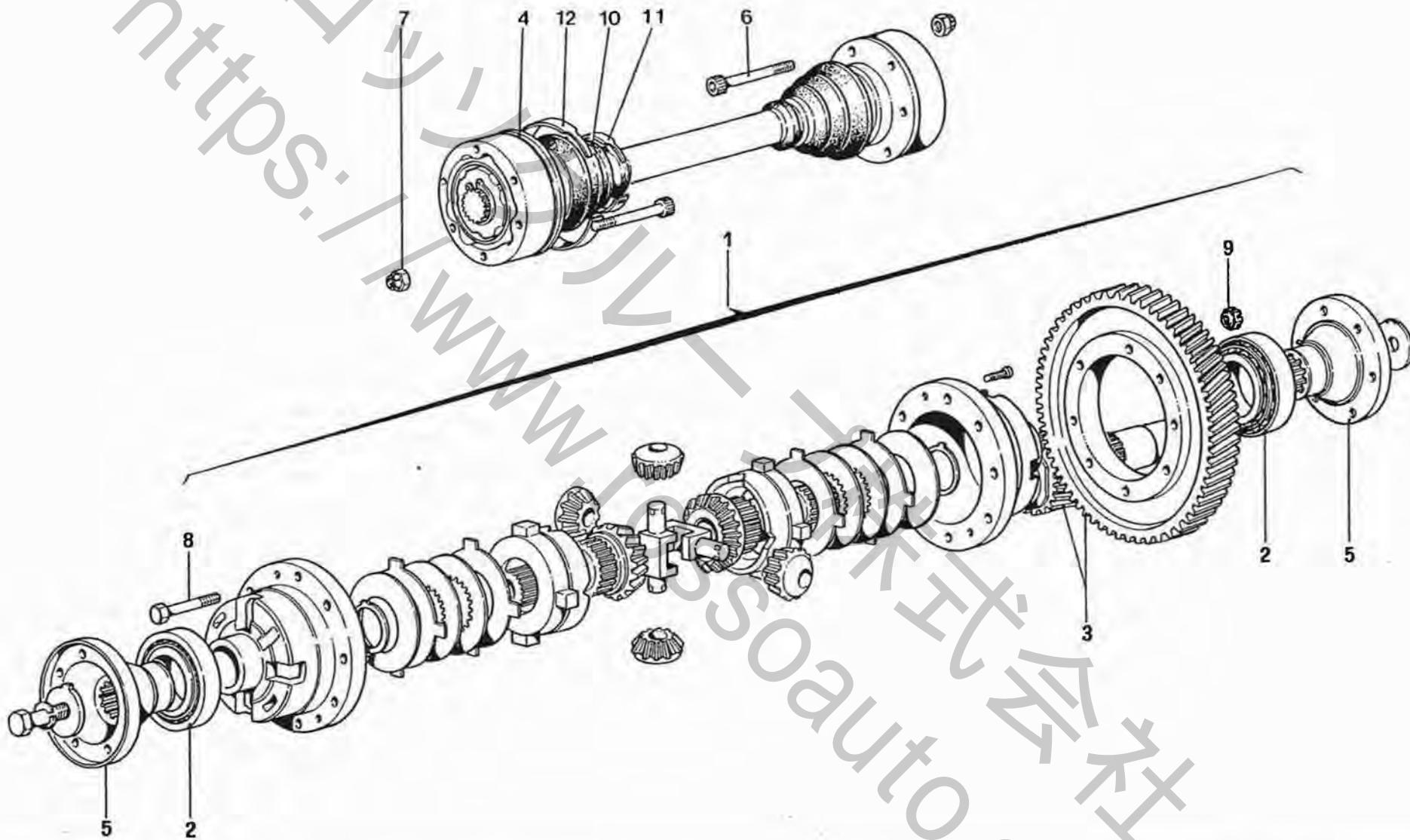


TAVOLA 33

| Rif. | Dis. No. Part No. | Q.ty | DENOMINAZIONE | DESCRIPTION | Rif. | Dis. No. Part No. | Q.ty | DENOMINAZIONE | DESCRIPTION |
|------|----------------------|------|--|---|------|----------------------|------|--|---|
| 1 | 114337 | 1 | Leva comando cambio GS Per GD vale n. 116554 | Gearbox lever - LHD For RHD use no. 116554 | 19 | 108247 | 2 | Rondella di spallamento | Thrust washer |
| 2 | 103301 | 1 | Pomello | Knob for gearshift lever | 20 | 106168 | 2 | Soffietto di protezione | Bellows |
| 3 | 108010 | 1 | Controdado | Locknut | 21 | 101309 | 2 | Dado autobloccante | Selflocking nut |
| 4 | 127443 | 1 | Perno con sede snodo Per GD vale n. 128161 | Pin with joint seat For RHD use no. 128161 | 22 | 115980 | 1 | Interruttore RM | Reverse switch |
| 5 | 115372 | 2 | Anello di tenuta | Sealing ring | 23 | 16136621 | 4 | Vite | Screw |
| 6 | 109767 | 1 | Albero per leva comando bilancieri | Shaft for control lever | 24 | 12601371 | 4 | Rondella ondulata | Corrugated washer |
| - | 108848 | 1 | Scatola comando cambio completa Vale fino esaurimento | Gearbox casing, complete Until exhaustion | 25 | 10791221 | 1 | Controdado (filetto Dx.) | Locknut (threaded insert, right) |
| 7 | 105438 | 1 | Scatola comando cambio Col complessivo n. 108848 | Gearbox casing With unit no. 108848 | 26 | 10791921 | 1 | Controdado (filetto Sx.) | Locknut (threaded insert, left) |
| 8 | 128535 | 1 | Selettore marce Dopo esaurimento vale n. 127444 | Speed selector After exhaustion use no. 127444 | 27 | 104244 | 1 | Anello di tenuta soffietto | Sealing ring |
| 9 | 104315 | 1 | Coperchio inferiore Col complessivo n. 108848 | Lower cover With unit no. 108848 | 28 | 106814 | 1 | Silentblock | Silentblock |
| 10 | 103321 | 1 | Tirante registro | Tie rod | 29 | 115567 | 1 | Barra comando cambio lato torretta | Control rod |
| 11 | 103317 | 1 | Puntalino richiamo leva | Lever push rod | 30 | 12601571 | 1 | Rondella | Washer |
| 12 | 103318 | 1 | Molla | Spring | 31 | 114308 | 1 | Barra comando cambio lato cambio | Control rod |
| 13 | 103319 | 1 | Dischetto ritegno molla | Disc for spring | 32 | 107830 | 2 | Bullone | Bolt |
| 14 | 103326 | 1 | Anello seeger | Seeger ring | 33 | 127447 | 1 | Anello di arresto | Stop ring |
| 15 | 127446 | 1 | Sede sferico | Ball joint seat | - | 135986 | 1 | Scatola comando cambio completa Vale dopo esaurimento n. 108848 | Gearbox casing, complete After exhaustion no. 108848 |
| 16 | 115340 | 1 | Molla | Spring | 34 | 133038 | 1 | Scatola comando cambio Col complessivo n. 135986 | Gearbox casing With unit no. 135986 |
| 17 | 10519601 | 2 | Rondella | Washer | 35 | 133039 | 1 | Coperchio inferiore Col complessivo n. 135986 | Lower cover With unit no. 135986 |
| 18 | 101619 | 2 | Vite | Screw | 36 | 133037 | 2 | Boccola Per scatola n. 135986 | Bush For gearbox casing no. 135986 |
| | | | | | 37 | 100041 | 2 | Grano Col complessivo n. 135986 | Dowel With unit no. 135986 |



3₂MONDIAL

DIFFERENZIALE E SEMIASSI
DIFFERENTIAL AND AXLE SHAFT

TAV. 34
DATA: OTTOBRE 87

06304

TAVOLA 34

| Rif. | Dis. No. Part No. | Q.ty | DENOMINAZIONE | DESCRIPTION | Rif. | Dis. No. Part No. | Q.ty | DENOMINAZIONE | DESCRIPTION |
|------|----------------------|------|------------------------------------|---------------------------------|------|----------------------|------|-----------------------|--------------------|
| 1 | 106769 | 1 | Differenziale | Differential | 7 | 101633 | 24 | Dado autobloccante | Selflocking nut |
| 2 | 101634 | 2 | Cuscinetto | Bearing | 8 | 106777 | 8 | Vite fissaggio corona | Screw for crown |
| 3 | - | 1 | Coppia cilindrica (Vedere Tav. 31) | Crown and pinion (See Table 31) | 9 | 104011 | 8 | Dado | Nut |
| 4 | 111867 | 2 | Assieme semiasse | Axle shaft | 10 | 95860404 | 4 | Cuffia semiasse | Axle shaft housing |
| 5 | 119373 | 2 | Flangia attacco semiasse | Mounting flange | 11 | 117956 | 4 | Fascetta | Clamp |
| 6 | 101632 | 24 | Bullone | Bolt | 12 | 117957 | 4 | Fascetta | Clamp |

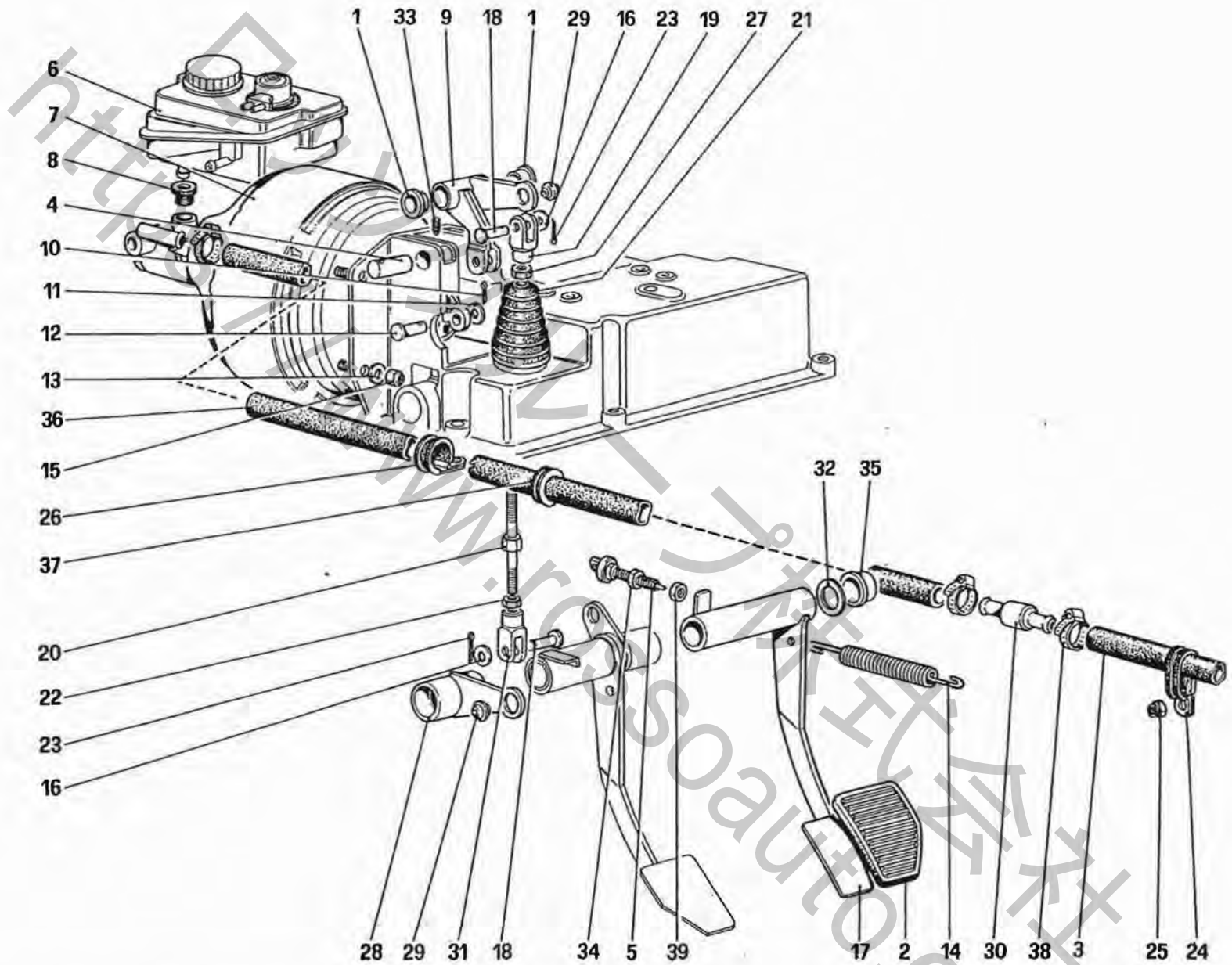


TAVOLA 35

| Rif. | Dis. No. Part No. | Q.ty | DENOMINAZIONE | DESCRIPTION | Rif. | Dis. No. Part No | Q.ty | DENOMINAZIONE | DESCRIPTION |
|------|----------------------|------|---|---|------|---------------------|------|---|---|
| 1 | 124586 | 2 | Boccola | Bushing | 23 | 10796401 | 2 | Copiglia | Split pin |
| 2 | 106950 | 1 | Gommino copri pedale | Pedal cover | 24 | 61712600 | 1 | Fascetta | Clamp |
| 3 | 120232 | 1 | Tubo dalla valvola al 3 vie Per Cabriolet USA vale n. 111023 | Pipe from valve to 3 way For Cabriolet US use no. 111023 | 25 | 12574211 | 1 | Dado | Nut |
| 4 | 124714 | 1 | Perno supporto leva rinvio | Pin for return lever | 26 | 10450790 | 1 | Fascetta | Clamp |
| 5 | 119439 | 1 | Interruttore luci arresto | Stop light switch | 27 | 10788711 | 1 | Dado filetto Dx. | Nut, right thread |
| 6 | 119566 | 1 | Vaschetta liquido freni e frizione Con servofreno n. 124514 | Brake and clutch fluid reservoir With brake booster no. 124514 | 28 | 121217 | 1 | Leva rinvio freno | Brake lever |
| 7 | 124514 | 1 | Servofreno Fino vettura n. 71699 | Brake booster Until car no. 71699 | 29 | 100424 | 2 | Snodo sferico | Ball joint |
| 6 | 133579 | 1 | Vaschetta liquido freni e frizione Con servofreno n. 133576 | Brake and clutch fluid reservoir With brake booster no. 133576 | 30 | 101538 | 1 | Valvola non ritorno Dopo esaurimento vale n. 128435 | Non return valve After exhaustion use no. 128435 |
| 7 | 133576 | 1 | Servofreno Dalla vettura n. 71701 | Brake booster From car no. 71701 | 31 | 104911 | 1 | Forcellino filetto Sx. | Fork, left thread |
| 8 | 106625 | 1 | Anello di tenuta | Sealing ring | 32 | 112127 | 2 | Rondella di rasamento mm. 0,9 Di eventuale montaggio | Shim, 0,9 mm. Possible fitting |
| 9 | 121219 | 1 | Leva servofreno | Brake booster lever | - | 112128 | 2 | Rondella di rasamento mm. 1,0 Di eventuale montaggio | Shim, 1,0 mm. Possible fitting |
| 10 | 10796401 | 1 | Copiglia | Split pin | - | 112129 | 2 | Rondella di rasamento mm. 1,1 Di eventuale montaggio | Shim, 1,1 mm. Possible fitting |
| 11 | 10730521 | 1 | Rondella | Washer | - | 112130 | 2 | Rondella di rasamento mm. 1,2 Di eventuale montaggio | Shim, 1,2 mm. Possible fitting |
| 12 | 10033411 | 1 | Perno | Pin | - | 112131 | 2 | Rondella di rasamento mm. 1,3 Di eventuale montaggio | Shim, 1,3 mm. Possible fitting |
| 13 | 12601371 | 4 | Rondella | Washer | 33 | 13736911 | 1 | Vite | Screw |
| 14 | 104895 | 1 | Molla richiamo pedale | Pedal return spring | 34 | 10791211 | 1 | Dado registro | Adjust nut |
| 15 | 16104411 | 4 | Dado | Nut | 35 | 124686 | 1 | Boccola | Bush |
| 16 | 103167 | 2 | Rondella | Washer | 36 | 120233 | 1 | Tubo dal servofreno alla valvola non ritorno Per Cabriolet USA vale n 108951 | Hose from brake booster to valve For Cabriolet US use no. 108951 |
| 17 | 121215 | 1 | Pedale freno | Brake pedal | 37 | 10396880 | 1 | Passafilo | Fair - lead |
| 18 | 10033411 | 2 | Perno | Pin | 38 | 12179590 | 4 | Fascetta | Clamp |
| 19 | 104910 | 1 | Forcellino filetto Dx. | Fork, right thread | 39 | 101662 | 1 | Dado paracolpi | Nut |
| 20 | 119164 | 1 | Tirante | Tie rod | | | | | |
| 21 | 112157 | 1 | Soffietto | Bellows | | | | | |
| 22 | 11690911 | 1 | Dado filetto Sx. | Nut, left thread | | | | | |

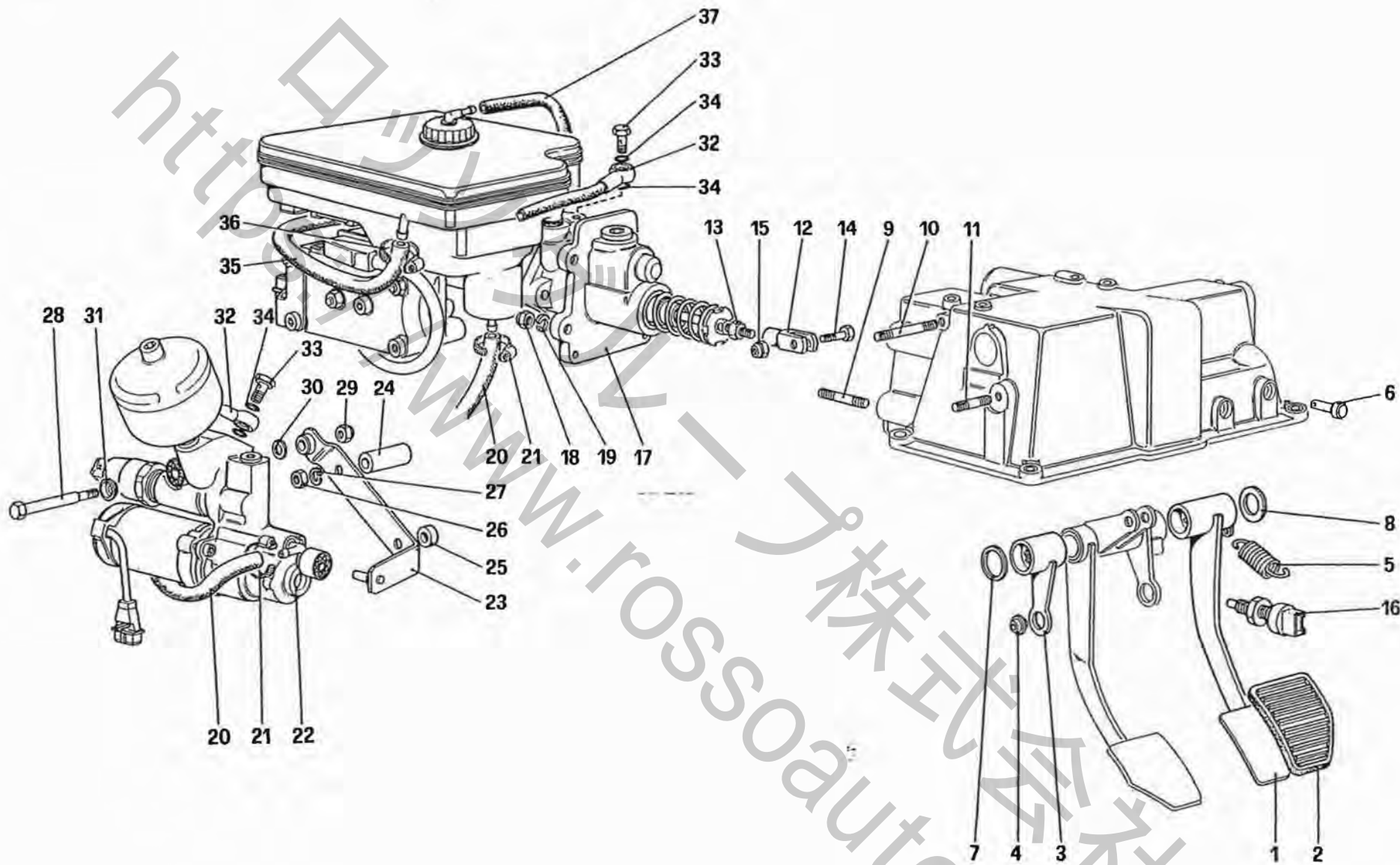


TAVOLA 36

| Rif. | Dis. No. Part No. | Q.ty | DENOMINAZIONE | DESCRIPTION | Rif. | Dis. No. Part No. | Q.ty | DENOMINAZIONE | DESCRIPTION |
|------|----------------------|------|---|-----------------------------------|------|----------------------|------|---------------------------|------------------------|
| 1 | 129606 | 1 | Pedale freno | Brake pedal | 16 | 133555 | 1 | Interruttore luci arresto | Stop light switch |
| 2 | 106950 | 1 | Gommino copripedale | Pedal cover | 17 | 129699 | 1 | Centralina idraulica | Hydraulic control unit |
| 3 | 129609 | 1 | Leva rinvio freno | Brake lever | 18 | 16104111 | 4 | Dado autobloccante | Selflocking nut |
| 4 | 109407 | 1 | Giunto sferico | Ball joint | 19 | 12601371 | 4 | Rondella | Washer |
| 5 | 101305 | 1 | Molla richiamo pedale | Pedal return spring | 20 | 123264 | 1 | Tubo | Pipe |
| 6 | 129612 | 1 | Perno | Pin | 21 | 12179190 | 2 | Fascetta | Clamp |
| 7 | 112125 | 1 | Rondella di rasamento | Shim | 22 | 131324 | 1 | Pompa comando freni | Master cylinder |
| 8 | 112127 | 1 | Rondella di rasamento mm. 0,9 Di eventuale montaggio | Shim, 0,9 mm. Possible fitting | 23 | 129631 | 1 | Staffa | Bracket |
| - | 112128 | 1 | Rondella di rasamento mm. 1,0 Di eventuale montaggio | Shim, 1,0 mm. Possible fitting | 24 | 129634 | 1 | Distanziale superiore | Upper spacer |
| - | 112129 | 1 | Rondella di rasamento mm. 1,1 Di eventuale montaggio | Shim, 1,1 mm. Possible fitting | 25 | 129635 | 1 | Distanziale inferiore | Lower spacer |
| - | 112130 | 1 | Rondella di rasamento mm. 1,2 Di eventuale montaggio | Shim, 1,2 mm. Possible fitting | 26 | 16100811 | 2 | Dado | Nut |
| - | 112131 | 1 | Rondella di rasamento mm. 1,3 Di eventuale montaggio | Shim, 1,3 mm. Possible fitting | 27 | 127469 | 2 | Rondella | Washer |
| 9 | 13543421 | 4 | Prigioniero | Stud | 28 | 129636 | 1 | Vite | Screw |
| 10 | 13517121 | 1 | Prigioniero | Stud | 29 | 12574211 | 1 | Dado autobloccante | Selflocking nut |
| 11 | 13517621 | 1 | Prigioniero | Stud | 30 | 121558 | 1 | Rondella di rasamento | Shim |
| 12 | 10007871 | 1 | Forcellino | Fork | 31 | 130861 | 1 | Rondella | Washer |
| 13 | 16102311 | 1 | Controdado | Lock nut | - | 135960 | 1 | Tubo flessibile completo | Hose, complete |
| 14 | 130926 | 1 | Vite | Screw | 32 | 131872 | 1 | Tubo flessibile | Hose |
| 15 | 16104411 | 1 | Dado autobloccante | Selflocking nut | 33 | 131873 | 2 | Bocchettone | Union |
| | | | | | 34 | 131874 | 4 | Anello di tenuta | Sealing ring |
| | | | | | 35 | 120929 | 1 | Tubo | Pipe |
| | | | | | 36 | 12179490 | 2 | Fascetta | Clamp |
| | | | | | 37 | 110926 | 1 | Tubo | Pipe |

http://www.ossauto.com

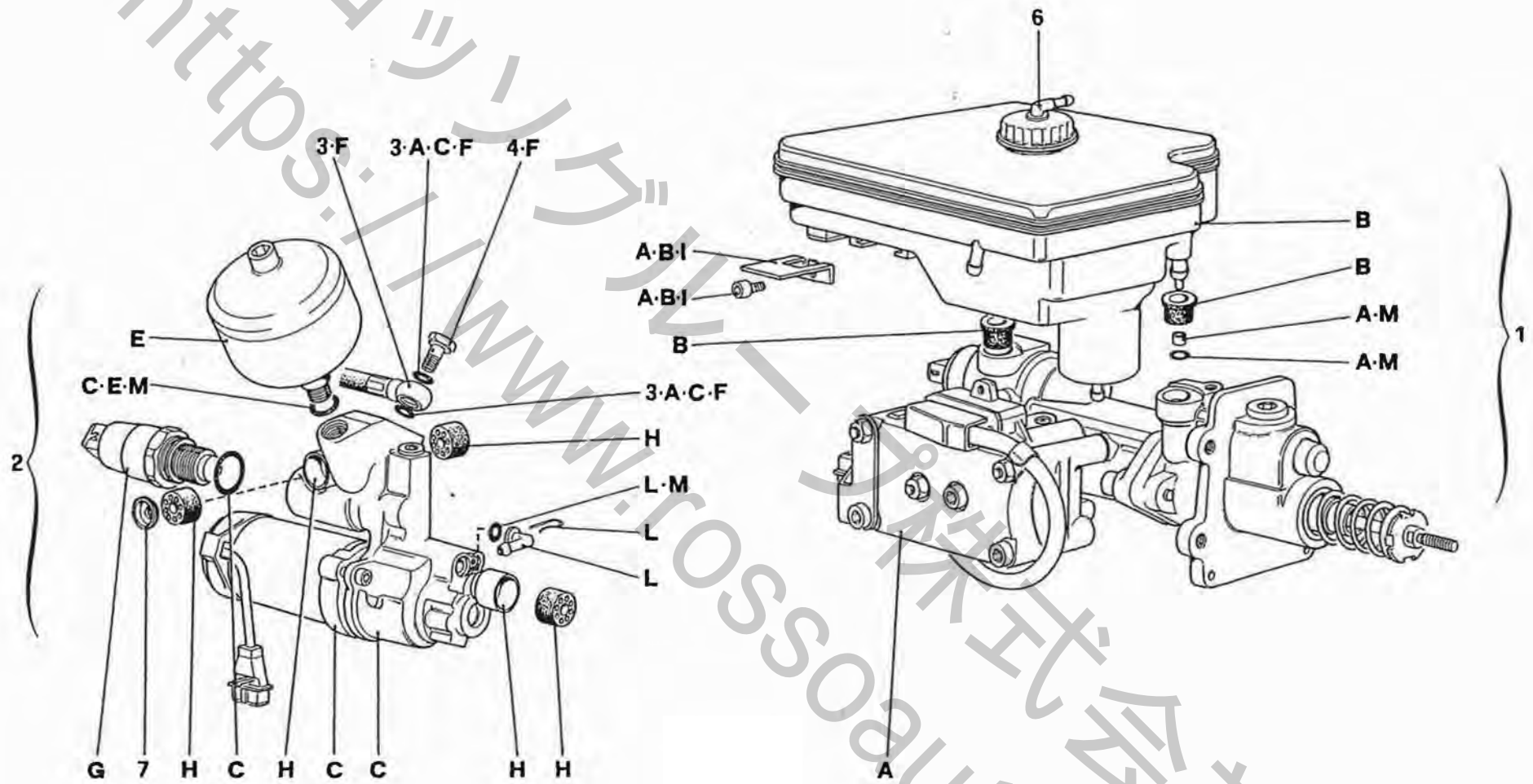


TAVOLA 37

| Rif. | Dis. No. Part No. | Q.ty | DENOMINAZIONE | DESCRIPTION | Rif. | Dis. No. Part No. | Q.ty | DENOMINAZIONE | DESCRIPTION |
|------|----------------------|------|--------------------------------|----------------------------|------|----------------------|------|-------------------------|----------------------------|
| 1 | 70000529 | 1 | Centralina idraulica | Hydraulic control unit | 5 | 131874 | 4 | Anello di tenuta | Sealing ring |
| A | 70000501 | 1 | Kit aggregato idraulico | Kit hydraulic control unit | G | 70000505 | 1 | Kit pressostato | Kit pressostat |
| B | 70000502 | 1 | Kit serbatoio | Kit reservoir | H | 70000506 | 1 | Kit boccole | Kit bushings |
| 2 | 70000530 | 1 | Pompa comando freni | Master cylinder | I | 70000507 | 1 | Kit fissaggio serbatoio | Kit reservoir installation |
| C | 70000503 | 1 | Kit motore elettrico con pompa | Kit motor/pump | 6 | 70000508 | 1 | Tappo per serbatoio | Cap for reservoir |
| E | 70000504 | 1 | Kit accumulatore | Kit accumulator | L | 70000509 | 1 | Kit raccordo pompa | Kit pump connectors |
| F | 135960 | 1 | Kit flessibile | Kit hose | M | 70000510 | 1 | Kit O-Ring | Kit O-Ring |
| 3 | 131872 | 1 | Tubo flessibile | Hose | 7 | 130861 | 1 | Rondella | Washer |
| 4 | 131873 | 2 | Bocchetone | Union | | | | | |

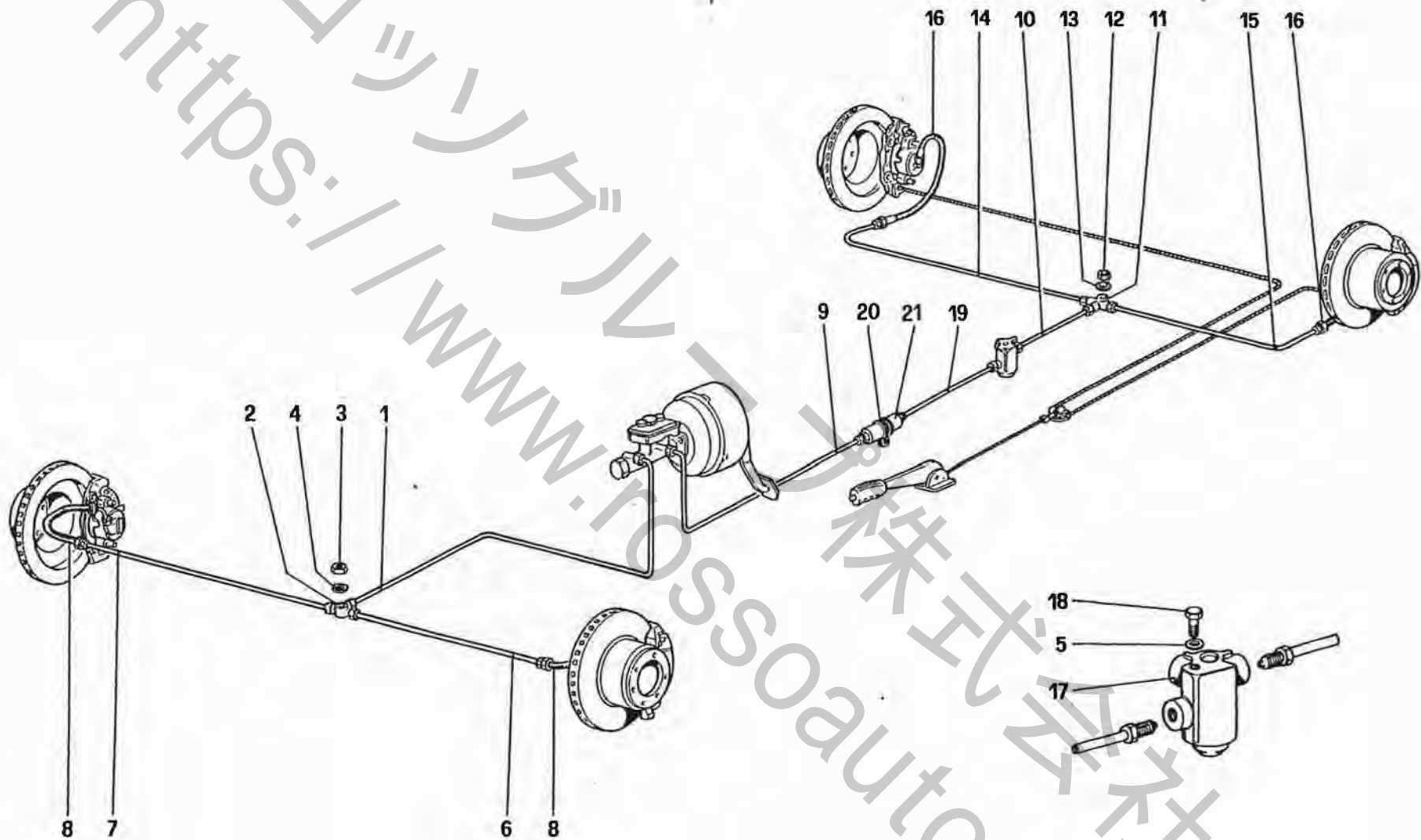


TAVOLA 38

| Rif. | Dis. No. Part No. | Q.ty | DENOMINAZIONE | DESCRIPTION | Rif. | Dis. No. Part No. | Q.ty | DENOMINAZIONE | DESCRIPTION |
|------|----------------------|------|---|---|------|----------------------|------|--|---|
| 1 | 105855 | 1 | Tubo dalla pompa al 3 vie anteriore | Pipe from pump to front 3 way union | 11 | 101394 | 1 | Raccordo a 3 vie | 3 way fitting |
| 2 | 101394 | 1 | Raccordo a 3 vie | 3 way union | 12 | 12574211 | 1 | Dado | Nut |
| 3 | 12574211 | 1 | Dado | Nut | 13 | 12639701 | 1 | Rondella | Washer |
| 4 | 12639701 | 1 | Rondella | Washer | 14 | 104470 | 1 | Tubetto dal 3 vie al flessibile Dx. Per USA vale n. 106969 For US use no. 106969 | Pipe from 3 way union to right hose For US use no. 106969 |
| 5 | 106852 | 1 | Rondella | Washer | 15 | 105851 | 1 | Tubetto dal 3 vie al flessibile Sx. | Pipe from 3 way union to left hose |
| 6 | 106670 | 1 | Tubetto dal 3 vie al flessibile anteriore Sx. Per GD vale n. 101407 | Pipe from 3 way to left front hose For RHD use no. 101407 | 16 | 118100 | 2 | Tubo flessibile posteriore | Rear circuit hose |
| 7 | 116397 | 1 | Tubetto dal 3 vie al flessibile anteriore Dx. Per GD vale n. 101407 | Pipe from 3 way to right front hose For RHD use no. 101407 | 17 | 119366 | 1 | Correttore di frenata - No per USA Vale anche per AUS | Pressure regulator - Not for US Also valid for AUS |
| 8 | 118101 | 2 | Tubo flessibile anteriore | Front circuit hose | 17 | 118103 | 1 | Correttore di frenata - Per USA | Pressure regulator - For US |
| 9 | 116397 | 1 | Tubo dalla pompa al 2 vie | Pipe from pump to 2 way union | 18 | 16043021 | 1 | Vite | Screw |
| 10 | 101407 | 1 | Tubo dal correttore al 3 vie | Pipe from pressure regulator to 3 way fitting | 19 | 117331 | 1 | Tubo dal 2 vie al correttore Per GD vale n. 101408 | Pipe from 2 way to pressure regulator For RHD use no. 101408 |
| | | | | | 20 | 10441490 | 1 | Fascetta | Clamp |
| | | | | | 21 | 127505 | 1 | Raccordo a 2 vie | 2 way union |

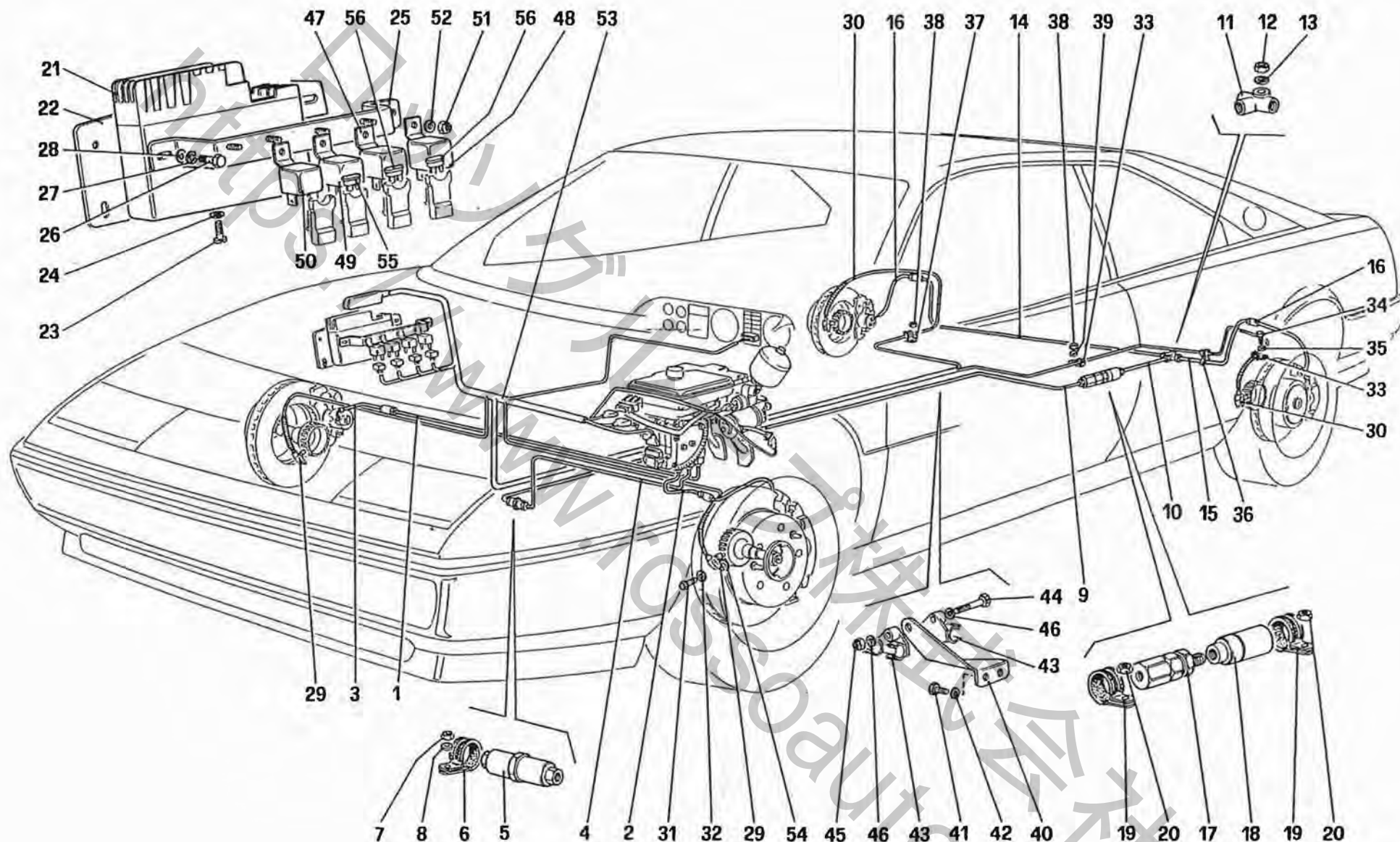


TAVOLA 39

| Rif. | Dis. No. Part No. | Q.ty | DENOMINAZIONE | DESCRIPTION | Rif. | Dis. No. Part No. | Q.ty | DENOMINAZIONE | DESCRIPTION |
|------|----------------------|------|--|---|------|----------------------|------|------------------------------|-----------------------------|
| 1 | 106969 | 1 | Tubo dalla centralina al flessibile anteriore Dx. Per GD vale n. 106672 | Pipe from control unit to hose R.H. front For RHD use no. 106672 | 24 | 10615271 | 2 | Rondella | Washer |
| 2 | 105856 | 1 | Tubo dalla centralina al flessibile anteriore Sx. Per GD vale n. 101397 | Pipe from control unit to hose L.H. front For RHD use no. 101397 | 25 | 131945 | 1 | Staffa | Bracket |
| 3 | 118101 | 2 | Tubo flessibile anteriore | Front hose | 26 | 10977621 | 3 | Vite | Screw |
| 4 | 129917 | 1 | Tubo dalla centralina al raccordo a 2 vie | Pipe from control unit to 2 way union | 27 | 10615371 | 3 | Rondella | Washer |
| 5 | 127505 | 1 | Raccordo a 2 vie | 2 way union | 28 | 12637801 | 3 | Rondella | Washer |
| 6 | 10441490 | 1 | Fascetta | Strap | 29 | 131875 | 2 | Sensore anteriore | Fron sensor |
| 7 | 12574211 | 1 | Dado autobloccante | Selflocking nut | 30 | 131876 | 2 | Sensore posteriore | Rear sensor |
| 8 | 12639701 | 1 | Rondella | Washer | 31 | 10902121 | 4 | Vite | Screw |
| 9 | 117331 | 1 | Tubo dal 2 vie al correttore di frenata | Pipe from 2 way to pressure regulator | 32 | 12601271 | 4 | Rondella | Washer |
| 10 | 105855 | 1 | Tubo dal correttore di frenata al 3 vie Per GD vale n. 105855 | Pipe from pressure regulator to 3 way union For RHD use no. 105855 | 33 | 131783 | 5 | Molletta | Clip |
| 11 | 101394 | 1 | Raccordo a 3 vie | 3 way union | 34 | 10902121 | 4 | Vite | Screw |
| 12 | 12574211 | 1 | Dado autobloccante | Selflocking nut | 35 | 12601271 | 4 | Rondella | Washer |
| 13 | 12639701 | 1 | Rondella | Washer | 36 | 124551 | 4 | Molletta | Clip |
| 14 | 104470 | 1 | Tubo dal 3 vie al flessibile posteriore Dx. Per USA vale n. 106969 | Pipe from 3 way to hose R.H. rear For US use no. 106969 | 37 | 10418501 | 10 | Fascetta | Strap |
| 15 | 105851 | 1 | Tubo dal 3 vie al flessibile posteriore Sx. | Pipe from 3 way to hose L.H. rear | 38 | 12575411 | 9 | Dado autobloccante | Selflocking nut |
| 16 | 118100 | 2 | Tubo flessibile posteriore | Rear hose | 39 | 12648201 | 1 | Rondella | Washer |
| 17 | 134597 | 1 | Valvola ritardatrice | Delay valve | 40 | 131871 | 1 | Staffa | Bracket |
| 18 | 131322 | 1 | Correttore di frenata | Pressure regulator | 41 | 10902021 | 2 | Vite | Screw |
| 19 | 10441990 | 2 | Fascetta | Strap | 42 | 127494 | 2 | Rondella | Washer |
| 20 | 12575411 | 2 | Dado | Nut | 43 | 128292 | 2 | Molletta | Clip |
| 21 | 131325 | 1 | Centralina elettronica | Electronic control unit | 44 | 13272811 | 1 | Vite | Screw |
| 22 | 131744 | 1 | Staffa | Bracket | 45 | 12574011 | 1 | Dado autobloccante | Selflocking nut |
| 23 | 131745 | 2 | Vite | Screw | 46 | 10519201 | 2 | Rondella | Washer |
| | | | | | 47 | 131938 | 1 | Relay centralina elettronica | Electronic control unit |
| | | | | | 48 | 131939 | 1 | Relay motore pompa | Relay for motor pump |
| | | | | | 49 | 131940 | 1 | Relay disinnesto impianto | Relay for system overriding |
| | | | | | 50 | 131785 | 1 | Relay protezione impianto | Protection relay |
| | | | | | 51 | 12574111 | 4 | Dado autobloccante | Selflocking nut |
| | | | | | 52 | 10519301 | 4 | Rondella | Washer |
| | | | | | 53 | 131947 | 1 | Cavi collegamento Antiskid | Cables for Antiskid |
| | | | | | 54 | 136401 | - | Rondella | Washer |
| | | | | | | | | Di eventuale montaggio | Possible fitting |
| | | | | | 55 | 131942 | 1 | Fusibile 3Amp | 3Amp Fuse |
| | | | | | 56 | 131941 | 2 | Fusibile 30Amp | 30Amp Fuse |

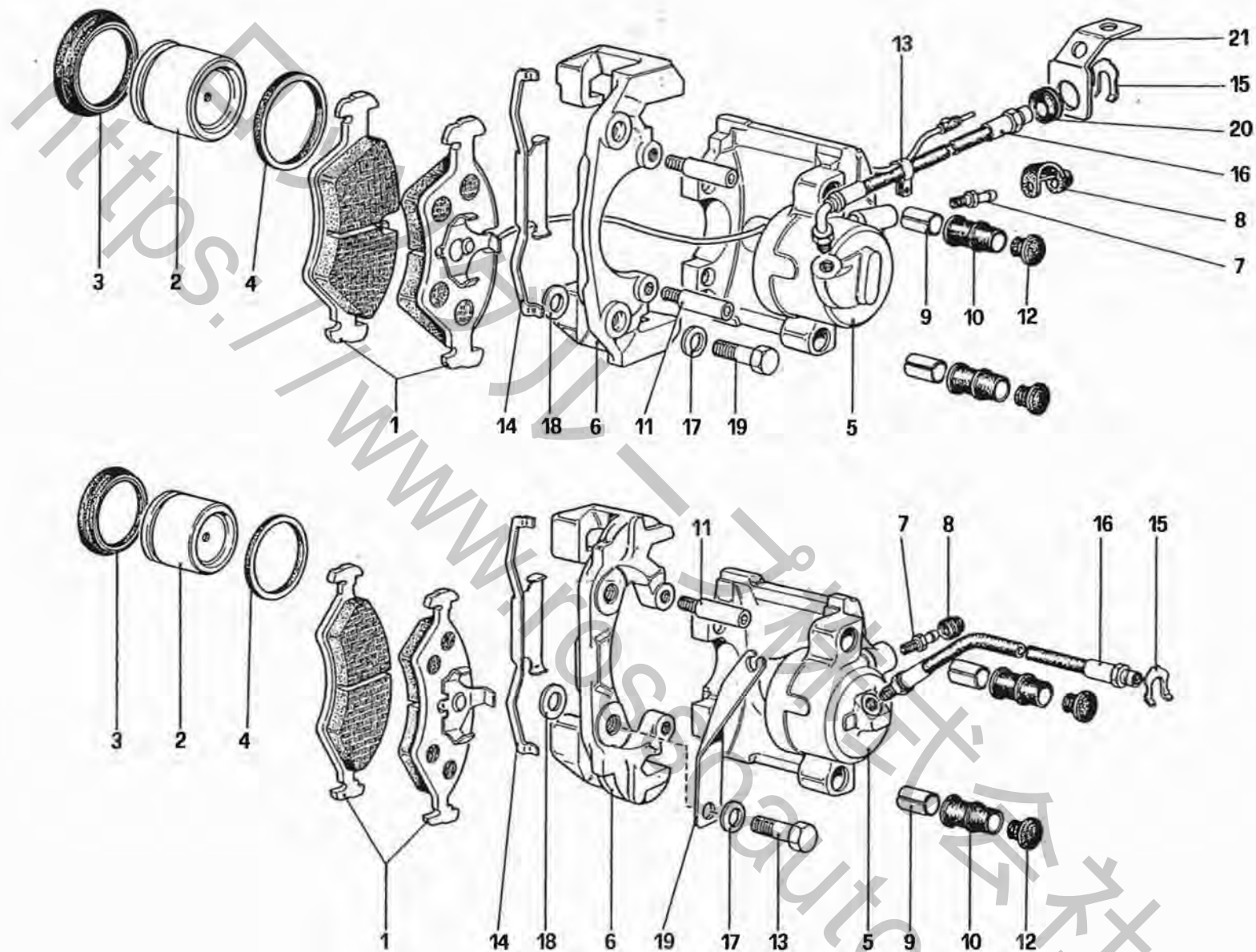
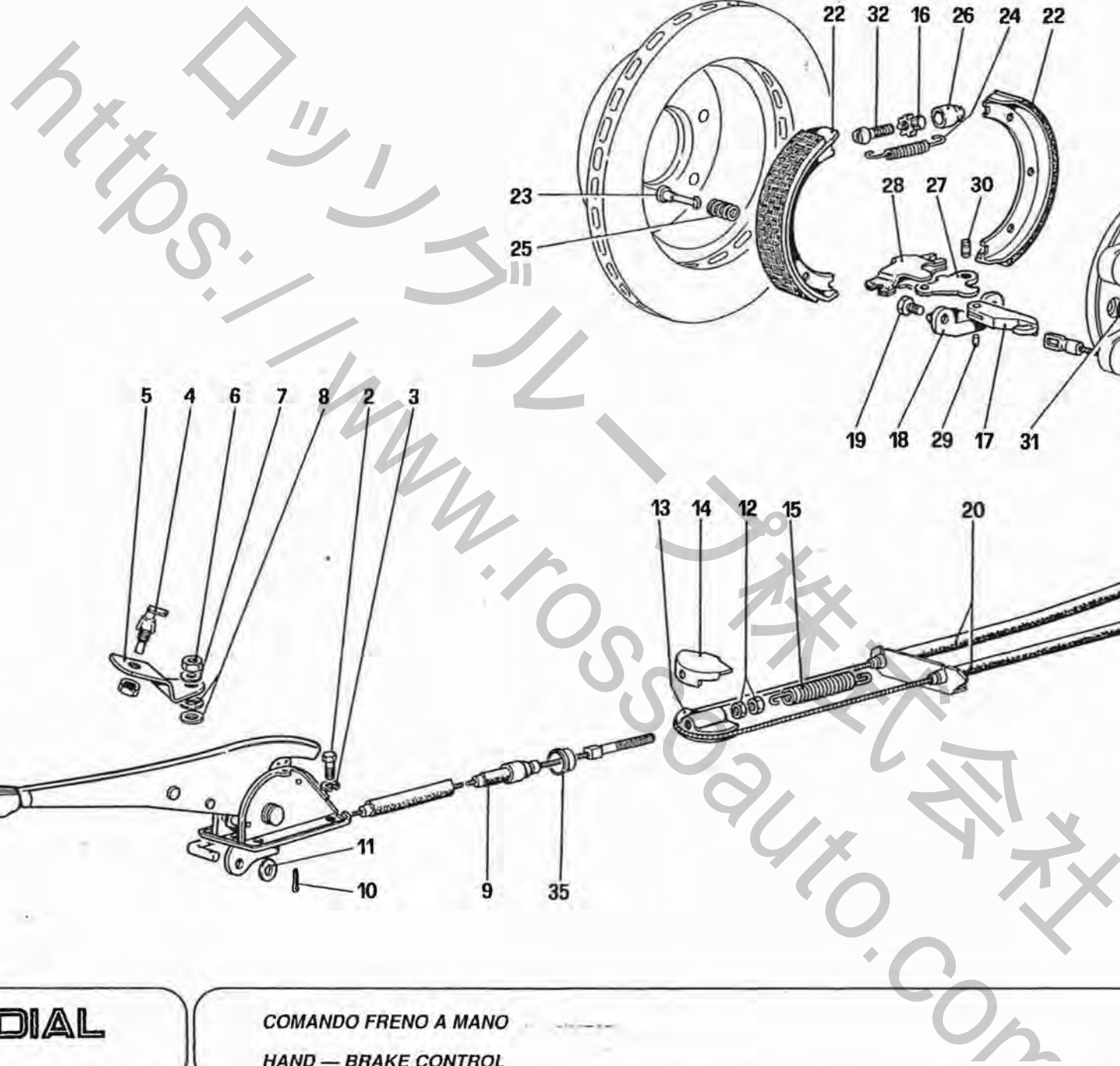


TAVOLA 40

| Rif. | Dis. No. Part No. | Q.ty | DENOMINAZIONE | DESCRIPTION |
|--|----------------------|------|---|--|
| | | | PINZE PER FRENI ANTERIORI | FRONT BRAKE CALIPERS |
| - | 117182 | 1 | Caliper anteriore Dx. con pastiglie | Right front caliper unit with pads |
| - | 117181 | 1 | Caliper pinza anteriore Sx. con pastiglie | Left front caliper unit with pads |
| 1 | 118588 | | Serie pastiglie anteriori FERIT 1/D 346GG | Set of FERIT 1/D 346GG front pads |
| 1 | 135704 | | Serie pastiglie anteriori FERODO 3416F - Per Svezia | Set of FERODO 3416 F front pads For Svezia |
| 2 | ATE | 2 | Cilindretto | Brake cylinder |
| 3 | ATE | 2 | Anello di tenuta Col kit n. 116927 | Sealing ring With kit no. 116927 |
| 4 | ATE | 2 | Anello di fermo | Stop ring |
| 5 | ATE | 2 | Corpo cilindretto | Cylinder body |
| 6 | ATE | 2 | Supporto pinza | Support for caliper |
| 7 | ATE | 2 | Valvola di spurgo | Bleeder |
| 8 | ATE | 2 | Cappuccio per valvola di spurgo | Bleeder cap |
| - | 116927 | 1 | Kit riparazione calipers anteriore | Overhaul kit front calipers |
| 9 | ATE | 2 | Boccola di guida Col kit n. 116927 | Guide bush With kit no. 116927 |
| 10 | ATE | 4 | Anello parapolvere Col kit n. 116927 | Dust protection ring With kit no. 116927 |
| 11 | 95691540 | 4 | Spinotto filettato | Threaded pin |
| 12 | ATE | 4 | Cappuccio Col kit n. 116927 | Cap With kit no. 116927 |
| 13 | 40135402 | 8 | Fascella fiss. cavo pastiglie | Clamp for pad cable |
| 14 | 95691541 | 2 | Molletta fissaggio pinza | Clip for caliper |
| 15 | 116374 | 2 | Molletta per flessibile | Clamp for hose |
| 16 | 118101 | 2 | Tubo flessibile | Hose |
| 17 | 106854 | 4 | Rondella | Washer |
| 18 | 108918 | 4 | Rondella di rasamento tra caliper e fuso a snodo sp. mm. 0,2 | Shim between caliper and stub axle, 0,2 mm. thickness |
| - | 108919 | 4 | Idem sp. mm. 0,3 | Ditto, thickness 0,3 mm. |
| - | 108920 | 4 | Idem sp. mm. 0,5 | Ditto, thickness 0,5 mm. |
| - | 108921 | 4 | Idem sp. mm. 0,6 | Ditto, thickness 0,6 mm. |
| - | 108922 | 4 | Idem sp. mm. 0,7 | Ditto, thickness 0,7 mm. |
| - | 108923 | 4 | Idem sp. mm. 0,8 | Ditto, thickness 0,8 mm. |
| - | 108924 | 4 | Idem sp. mm. 1 | Ditto, thickness 1 mm. |
| 19 | 117193 | 4 | Vite fiss. caliper al fuso a snodo | Screw fixing caliper to stub axle |
| 20 | 40134801 | 2 | Passafilo | Fair-lead |
| 21 | 118102 | 2 | Staffa ritegno flessibile | Bracket for hose |
| <p>I particolari n. 2 - 4 - 5 - 6 - 7 - 8 non sono forniti a ricambio ma con i complessivi n. 117181 e 117182 Items Nos. 2 - 4 - 5 - 6 - 7 - 8 are not supplied as spare parts but only with units 117181 and 117182</p> | | | | |

| Rif. | Dis. No. Part No. | Q.ty | DENOMINAZIONE | DESCRIPTION |
|--|----------------------|------|---|--|
| | | | PINZE PER FRENI POSTERIORI | REAR BRAKE CALIPERS |
| - | 117184 | 1 | Caliper posteriore Dx. con pastiglie | Right rear caliper unit with pads |
| - | 117183 | 1 | Caliper posteriore Sx. con pastiglie | Left rear caliper unit with pads |
| 1 | 118589 | | Serie pastiglie posteriori FERIT 1/D 346GG | Set of FERIT 1/D 346GG |
| 1 | 135705 | | Serie pastiglie posteriori FERODO 3416F - Per Svezia | Set of FERODO 3416F rear pads For Svezia |
| 2 | ATE | 2 | Cilindretto | Brake cylinder |
| 3 | ATE | 2 | Anello di tenuta Col kit n. 116928 | Sealing ring With kit no. 116928 |
| 4 | ATE | 2 | Anello di fermo | Stop ring |
| 5 | ATE | 2 | Corpo cilindretto | Cylinder body |
| 6 | ATE | 2 | Supporto pinza | Support for caliper |
| 7 | ATE | 2 | Valvola di spurgo | Bleeder |
| 8 | ATE | 2 | Cappuccio per valvola di spurgo | Bleeder cap |
| - | 116928 | 1 | Kit riparazione calipers posteriori | Overhaul kit rear calipers |
| 9 | ATE | 2 | Boccola di guida Col kit n. 116928 | Guide bush With kit no. 116928 |
| 10 | ATE | 4 | Anello parapolvere Col kit n. 116928 | Dust protection ring With kit no. 116928 |
| 11 | 95691540 | 4 | Spinotto filettato | Threaded pin |
| 12 | ATE | 4 | Cappuccio - Col kit n. 116928 | Cap - With kit no. 116928 |
| 13 | 117194 | 4 | Vite per caliper | Caliper fixing screw |
| 14 | 95691542 | 2 | Molletta fissaggio pinza | Clip for caliper |
| 15 | 116374 | 2 | Molletta per flessibile | Clamp for hose |
| 16 | 118100 | 2 | Tubo flessibile | Hose |
| 17 | 11198371 | 4 | Rondella | Washer |
| 18 | 117084 | 4 | Rondella di rasamento fra caliper e portamozzo sp. mm. 0,2 | Shim between caliper and hub holder 0,2 mm. thickness |
| - | 117085 | 4 | Idem sp. mm. 0,3 | Ditto, thickness 0,3 mm. |
| - | 108283 | 4 | Idem sp. mm. 0,4 | Ditto, thickness 0,4 mm. |
| - | 117086 | 4 | Idem sp. mm. 0,5 | Ditto, thickness 0,5 mm. |
| - | 107835 | 4 | Idem sp. mm. 1 | Ditto, thickness 1 mm. |
| 19 | 131869 | 1 | (A) Staffa Dx. | (A) Right bracket |
| - | 131870 | 1 | (A) Staffa Sx. | (A) Left bracket |
| <p>I particolari n. 2 - 4 - 5 - 6 - 7 - 8 non sono forniti a ricambio ma con i complessivi n. 117183 e 117184 Items Nos. 2 - 4 - 5 - 6 - 7 - 8 are not supplied as spare parts but only with units 117183 and 117184</p> | | | | |



3₂ MONDIAL

COMANDO FRENO A MANO
HAND — BRAKE CONTROL

TAV. 41
DATA: OTTOBRE 87

TAVOLA 41

| Rif. | Dis. No. Part No. | Q.ty | DENOMINAZIONE | DESCRIPTION | Rif. | Dis. No. Part No. | Q.ty | DENOMINAZIONE | DESCRIPTION |
|------|----------------------|------|---|------------------------------|------|----------------------|------|--|---------------------------------|
| 1 | 118548 | 1 | Leva comando freno a mano | Hand brake lever | 20 | 118550 | 1 | Cavo posteriore | Rear cable |
| 2 | 10902121 | 4 | Vite | Screw | | | | Per GD vale n. 119619 | For RHD use no. 119619 |
| 3 | 106850 | 4 | Rondella | Washer | 21 | 105735 | 2 | Coperchietto protezione forcellino | Fork protection cap |
| 4 | 114318 | 1 | Interruttore | Switch | | | | Dopo esaurimento vale n. 132129 | After exhaustion use no. 132129 |
| 5 | 114320 | 1 | Staffa per interruttore | Switch bracket | 22 | 101270 | 4 | Ceppo freno | Brake shoe |
| 6 | 15896411 | 1 | Dado | Nut | 23 | 101275 | 4 | Perno fissaggio molla | Pin for spring |
| 7 | 12605270 | 1 | Rondella | Washer | 24 | 101276 | 4 | Molla richiamo ceppi | Return spring for shoes |
| 8 | 10519301 | 2 | Rondella piana - Di eventuale montaggio | Washer - Possible fitting | 25 | 101277 | 4 | Molla | Spring |
| 9 | 118551 | 1 | Cavo anteriore | Front cable | 26 | 101279 | 2 | Sede per vite di regolazione | Seat for adjust screw |
| 10 | 10796401 | 1 | Copiglia | Spit pin | 27 | 101280 | 2 | Leva di comando interna | Inner control lever |
| 11 | 10519601 | 1 | Rondella | Washer | 28 | 101281 | 2 | Leva di comando esterna | Outer control lever |
| 12 | 16102311 | 2 | Controdado filetto Dx. | Locknut, right thread | 29 | 101282 | 2 | Perno fiss. forcellino alla leva interna | Pin fixing fork to inner lever |
| 13 | 118552 | 1 | Ancoraggio per cavo posteriore | Anchorage for rear cable | 30 | 101283 | 2 | Perno per snodo | Pin for joint |
| 14 | 118553 | 1 | Piastrina ritagno cavo | Plate | 31 | 101284 | 4 | Piatello per molla | Plate for spring |
| 15 | 104895 | 1 | Molla di richiamo | Return spring | 32 | 101285 | 2 | Vite | Screw |
| 16 | 101286 | 2 | Dado per vite di regolazione | Nut | 33 | 10418501 | 3 | Fascetta | Clamp |
| 17 | 105270 | 2 | Forcellino comando leva interna | Control fork for inner lever | - | 10115701 | 1 | Fascetta | Clamp |
| 18 | 106243 | 2 | Tassello sul portamozzo | Small block | 34 | 12575411 | 4 | Dado | Nut |
| 19 | 106242 | 4 | Vite fissaggio tassello | Screw | 35 | 118554 | 2 | Boccola - Solo per GD | Bush - RHD only |

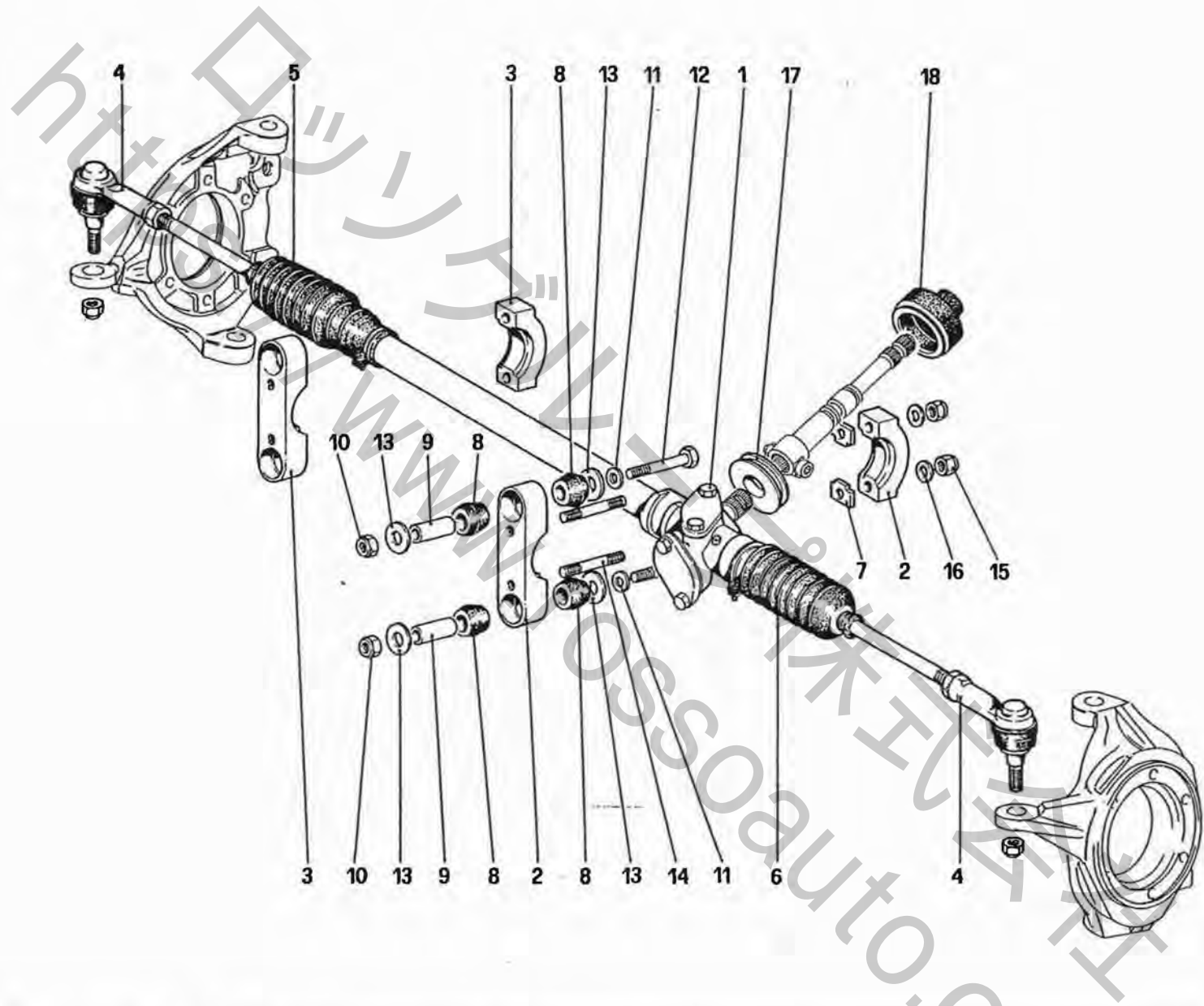


TAVOLA 42

| Rif. | Dis. No. Part No. | Q.ty | DENOMINAZIONE | DESCRIPTION | Rif. | Dis. No. Part No. | Q.ty | DENOMINAZIONE | DESCRIPTION |
|------|----------------------|------|---|---|------|----------------------|------|-----------------------|-----------------|
| 1 | 123913 | 1 | Scatola guida - Per GS Dopo esaurimento vale n. 131687 | Steering box - For LHD After exhaustion use no. 131687 | 7 | 108293 | 2 | Distanziale | Spacer |
| 1 | 123914 | 1 | Scatola guida - Per GD Dopo esaurimento vale n. 131688 | Steering box - For RHD After exhaustion use no. 131688 | - | 108584 | 1 | Distanziale | Spacer |
| 2 | 108241 | 1 | Supporto lato pignone | Support, pinion side | 8 | 107335 | 8 | Gommino | Grommet |
| 3 | 115493 | 1 | Supporto lato opposto pignone | Support, opposite side of pinion | 9 | 108294 | 4 | Tube distanziale | Spacer pipe |
| 4 | 103592 | 2 | Assieme giunto sferico completo di dado | Ball joint with nut | 10 | 16104121 | 4 | Dado | Nut |
| 5 | 115990 | 1 | Soffietto di protezione Dx. Per scatola n. 123913-123914 | Right bellows For box no. 123913-123914 | 11 | 10519601 | 4 | Rondella | Washer |
| 6 | 115989 | 1 | Soffietto di protezione Sx. Per scatola n. 123913-123914 | Left bellows For box no. 123913-123914 | 12 | 16044321 | 4 | Vite | Screw |
| 5 | 131650 | 1 | Soffietto Dx. Per scatola n. 131687-131688 | Right bellows For box no. 131687-131688 | 13 | 116413 | 8 | Rosetta | Washer |
| 6 | 131649 | 1 | Soffietto Sx. Per scatola n. 131687-131688 | Left bellows For box no. 131687-131688 | 14 | 13543821 | 4 | Prigioniero | Stud |
| | | | | | 15 | 16104121 | 4 | Dado | Nut |
| | | | | | 16 | 10519601 | 4 | Rondella | Washer |
| | | | | | 17 | 127284 | 1 | Cuffia per estensione | Extension cover |
| | | | | | 18 | 127285 | 1 | Anello per cuffia | Ring for cover |

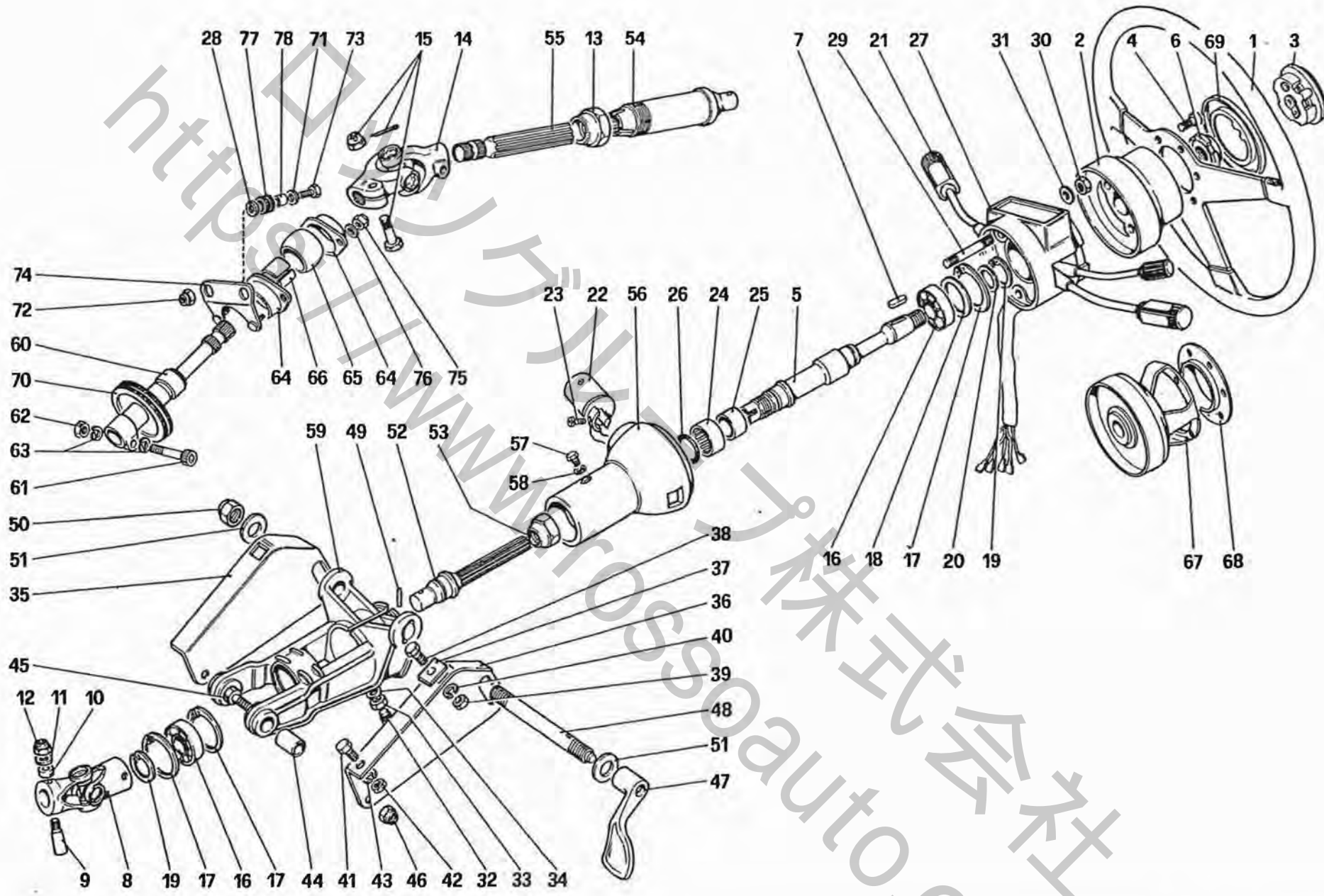


TAVOLA 43

| Rif. | Dis. No. Part No. | DENOMINAZIONE | DESCRIPTION | Rif. | Dis. No. Part No. | Q.ty | DENOMINAZIONE | DESCRIPTION |
|------|----------------------|---|---|------|----------------------|------|---|------------------------------------|
| 1 | 119038 | 1 Volante guida A richiesta n. 119036 | Steering wheel By request no. 119036 | 28 | 12640601 | 4 | Rondella | Washer |
| 2 | 116545 | 1 Mozzo porta volante | Steering wheel hub | 29 | 13539921 | 2 | Prigioniero | Stud |
| 3 | 101071 | 1 Contenitore e clacson Dopo esaurimento vale n. 130899 | Horn button and retainer After exhaustion use no. 130899 | 30 | 15896411 | 2 | Dado | Nut |
| 4 | 111189 | 6 Vite | Screw | 31 | 12601171 | 2 | Rondella | Washer |
| 5 | 116533 | 1 Albero superiore comando sterzo | Upper steering shaft | 32 | 13748910 | 1 | Vite senza testa | Headless crew |
| 6 | 106610 | 1 Ghiera | Ring nut | 33 | 16102311 | 1 | Dado | Nut |
| 7 | 101106 | 1 Chiavetta | Key | 34 | 12601371 | 1 | Rondella | Washer |
| 8 | 112572 | 1 Giunto cardanico superiore | Upper universal joint | 35 | 112104 | 1 | Staffa Dx. fissaggio supporto | Right bracket |
| 9 | 112573 | 1 Spina conica | Pin | 36 | 112105 | 1 | Staffa Sx. fissaggio supporto | Left bracket |
| 10 | 112571 | 2 Distanziale | Spacer | 37 | 106425 | 1 | Piastrina | Plate |
| 11 | 10519401 | 2 Rondella | Washer | 38 | 10902121 | 2 | Bullone | Bolt |
| 12 | 12574221 | 2 Dado autobloccante | Selflocking nut | 39 | 15896211 | 2 | Dado | Nut |
| 13 | 106870 | 1 Dado registro | Adjust nut | 40 | 106850 | 2 | Rondella | Washer |
| 14 | 103343 | 1 Giunto cardanico inferiore In alternativa n. 108362 | Lower universal joint Option no. 108362 | 41 | 16043221 | 2 | Bullone | Bolt |
| 15 | 105032 | 1 Assieme parti di fissaggio giunto Serve per giunto n. 103343 (non a ricambio) | Fixing items For joint no. 103343 (no spare) | 42 | 16100811 | 2 | Dado | Nut |
| 16 | 112091 | 2 Cuscinetto | Bearing | 43 | 106852 | 2 | Rondella | Washer |
| 17 | 11060276 | 3 Anello seeger | Seeger ring | 44 | 112106 | 2 | Boccola | Bush |
| 18 | 112092 | 1 Rondella di rasamento spess. mm. 0,2 Di eventuale montaggio | Shim, thickness 0,2 mm. Possible fitting | 45 | 16043821 | 2 | Vite | Screw |
| - | 112093 | 1 Idem spess. mm. 0,3 Di eventuale montaggio | Ditto, thickness 0,3 mm. Possible fitting | 46 | 16104411 | 2 | Dado | Nut |
| - | 112094 | 1 Idem spess. mm. 0,4 Di eventuale montaggio | Ditto, thickness 0,4 mm. Possible fitting | 47 | 112107 | 1 | Leva | Lever |
| - | 112095 | 1 Idem spess. mm. 0,5 Di eventuale montaggio | Ditto, thickness 0,5 mm. Possible fitting | 48 | 112108 | 1 | Alberino | Spindle |
| 19 | 11067376 | 2 Anello seeger | Seeger ring | 49 | 14163870 | 1 | Spina | Pin |
| 20 | 112098 | 1 Rondella di rasamento spess. mm. 0,2 Di eventuale montaggio | Shim, thickness 0,2 mm. Possible fitting | 50 | 16105111 | 1 | Dado | Nut |
| - | 112099 | 1 Idem spess. mm. 0,3 Di eventuale montaggio | Ditto, thickness 0,3 mm. Possible fitting | 51 | 114865 | 2 | Rondella di rasamento | Shim |
| - | 112100 | 1 Idem spess. mm. 0,4 Di eventuale montaggio | Ditto, thickness 0,4 mm. Possible fitting | 52 | 116480 | 1 | Albero inferiore comando sterzo | Lower steering shaft |
| - | 112101 | 1 Idem spess. mm. 0,5 Di eventuale montaggio | Ditto, thickness 0,5 mm. Possible fitting | 53 | 116481 | 1 | Dado registro | Adjuster nut |
| 21 | 119317 | 1 Deviosgancio | Mainswitch | 54 | 116484 | 1 | Tubo guida | Guide tube |
| 22 | 130609 | 1 (B) Assieme antifurto No per USA e SA | (B) Antitheft device Not for US and SA | 55 | 116487 | 1 | Albero inferiore scatola guida | Lower shaft, steering box |
| - | 130610 | 1 (B) Assieme antifurto Per USA e SA | (B) Antitheft device For US and SA | 56 | 116488 | 1 | Mozzo per albero superiore | Hub for upper shaft |
| 22 | 131904 | 1 (A) Assieme antifurto No per USA e SA | (A) Antitheft device Not for US and SA | 57 | 10977521 | 1 | Vite | Screw |
| - | 131905 | 1 (A) Assieme antifurto Per USA e SA | (A) Antitheft device For US and SA | 58 | 10615379 | 1 | Rondella | Washer |
| 23 | 106615 | 1 Vite | Screw | 59 | 112102 | 1 | Supporto | Support |
| 24 | 116096 | 1 Astuccio a rullini | Roller cage | 60 | 123522 | 1 | Estensione del pignone scatola guida completo | Pinion extension |
| 25 | 116097 | 1 Pista per astuccio a rullini | Race for roller cage | 61 | 125518 | 1 | Bullone | Bolt |
| 26 | 13398276 | 1 Anello elastico | Spring ring | 62 | 125519 | 1 | Dado | Nut |
| 27 | 114057 | 1 Cannoetto porta commutatori | Commutator housing | 63 | 12601271 | 2 | Rondella | Washer |
| | | | | 64 | 103292 | 2 | Flangia per articolazione sferica | Flange |
| | | | | 65 | 103297 | 1 | Sfera per articolazione | Ball |
| | | | | 66 | 103370 | 1 | Boccola | Bush |
| | | | | 67 | 119189 | 1 | Mozzo porta volante - Per Cabriolel | Steering wheel hub - For Cabriolel |
| | | | | 68 | 123099 | 1 | Anello - Per Cabriolel | Ring - For Cabriolel |
| | | | | 69 | 119040 | 1 | Ghiera copriviti per volante | Ring nut, covering screws |
| | | | | 70 | 112466 | 1 | Passafilo | Guiding bush |
| | | | | 71 | 106850 | 2 | Rondella | Washer |
| | | | | 72 | 60659100 | 2 | Dado | Nut |
| | | | | 73 | 10902721 | 2 | Vite | Screw |
| | | | | 74 | 123516 | 1 | Supporto | Support |
| | | | | 75 | 12574211 | 2 | Dado | Nut |
| | | | | 76 | 10519401 | 2 | Rondella | Washer |
| | | | | 77 | 103549 | 2 | Tampone | Small block |
| | | | | 78 | 103550 | 2 | Boccola | Bush |

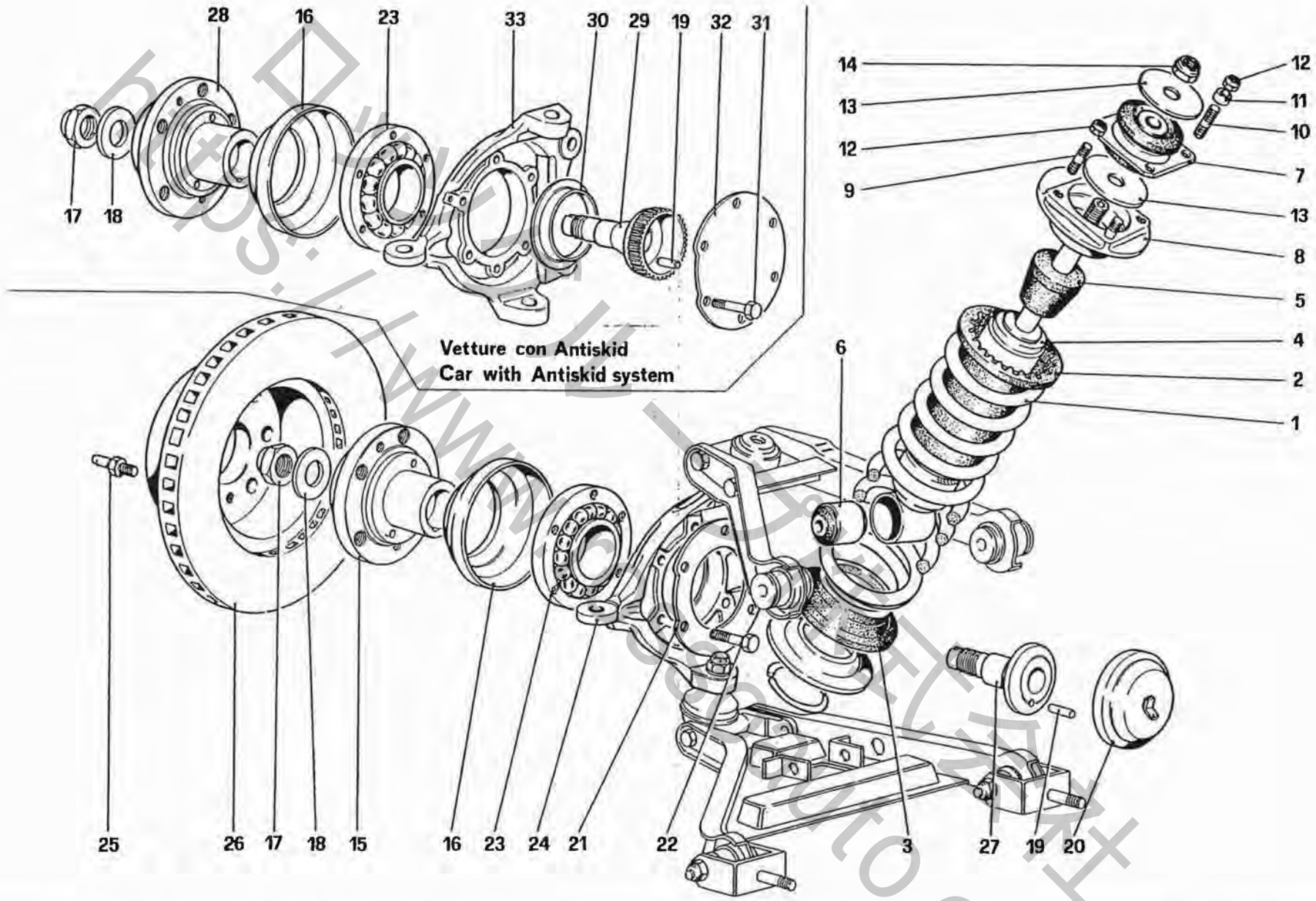


TAVOLA 44

| Rif. | Dis. No. Part No. | Q.ty | DENOMINAZIONE | DESCRIPTION | Rif. | Dis. No. Part No. | Q.ty | DENOMINAZIONE | DESCRIPTION |
|------|----------------------|------|---|---|------|----------------------|------|----------------------------|------------------------------|
| 1 | 116411 | 2 | Molla sospensione No per Cabriolet e USA | Suspension spring Not for Cabriolet and US | 15 | 124463 | 2 | Mozzo ruote anteriori | Front wheel hub |
| 1 | 118124 | 2 | Molla sospensione - Per USA No per Cabriolet | Suspension spring - For US Not for Cabriolet | 16 | 112823 | 2 | Coppetta riparo cuscinetto | Bearing cover |
| 1 | 122026 | 1 | Molla sospensione - Per Cabriolet | Suspension spring - For Cabriolet | 17 | 124642 | 2 | Dado | Nut |
| 2 | 113582 | 2 | Distanziale superiore | Upper spacer | 18 | 124464 | 2 | Rondella | Washer |
| 3 | 113581 | 2 | Distanziale inferiore | Lower spacer | 19 | 13909870 | 2 | Spina | Pin |
| 4 | 114727 | 2 | Ammortizzatore In alternativa vale n. 126622 No per Cabriolet USA | Shock absorber In alternative use no. 126622 Not for Cabriolet US | 20 | 117171 | 2 | Coppetta riparo cuscinetto | Bearing cover |
| 4 | 122027 | 2 | Ammortizzatore Per Cabriolet USA | Shock absorber For Cabriolet US | 21 | 118522 | 2 | Rondella | Washer |
| 5 | 116358 | 2 | Tampone fine corsa | Pad | 22 | 14238731 | 12 | Bullone | Bolt |
| 6 | 100809 | 2 | Estenblok per ammortizzatore | Estenblock | 23 | 112799 | 2 | Cuscinetto | Bearing |
| 7 | 114812 | 2 | Hyperblok per attacco ammortizzatore | Hyperblock | 24 | 117187 | 1 | Fuso a snodo Dx. | Stub axle, right |
| 8 | 114809 | 2 | Scodellino tenuta molla | Cup, spring retainer | - | 117188 | 1 | Fuso a snodo Sx. | Stub axle, left |
| 9 | 13543321 | 4 | Prigioniero | Stud | 25 | 104370 | 4 | Vite di centraggio | Centering screw |
| 10 | 13543821 | 4 | Prigioniero | Stud | 26 | 117185 | 2 | Disco freno | Brake disc |
| 11 | 13606011 | 4 | Distanziale | Spacer | 27 | 124465 | 2 | Perno fissaggio cuscinetto | Stay bolt for bearing |
| 12 | 16104121 | 8 | Dado | Nut | 28 | 131738 | 2 | Mozzo ruote anteriori | Front wheel hub |
| 13 | 114815 | 4 | Rondella | Washer | 29 | 131741 | 2 | Perno con ruota fonica | Stay bolt with toothed wheel |
| 14 | 16105121 | 2 | Dado | Nut | 30 | 131279 | 2 | Anello protezione | Protection ring |
| | | | | | 31 | 14238931 | 12 | Bullone | Bolt |
| | | | | | 32 | 131278 | 2 | Coperchio | Cover |
| | | | | | 33 | 130056 | 1 | Fuso a snodo Dx. | Stub axle, right |
| | | | | | - | 130057 | 1 | Fuso a snodo Sx. | Stub axle, left |

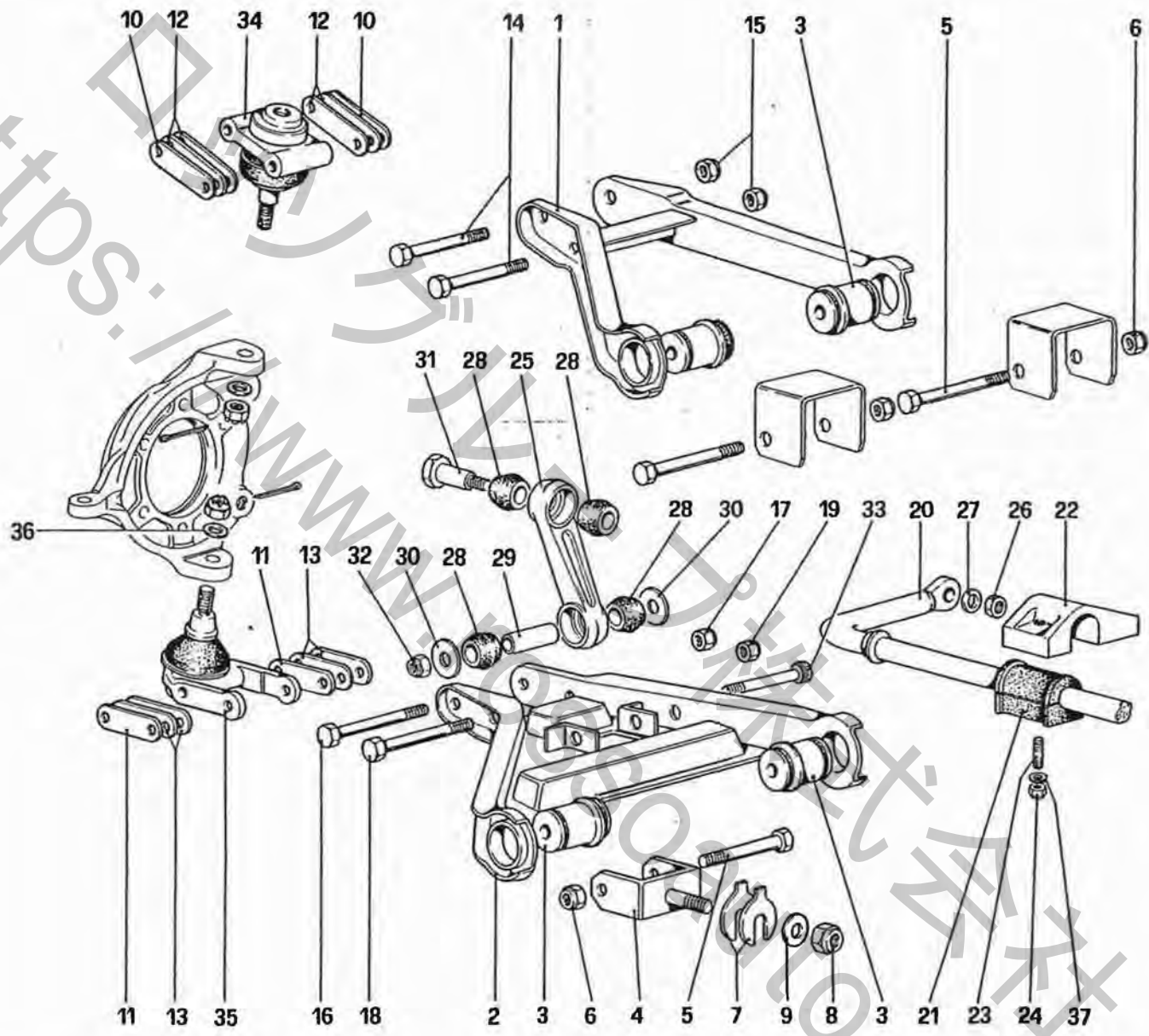
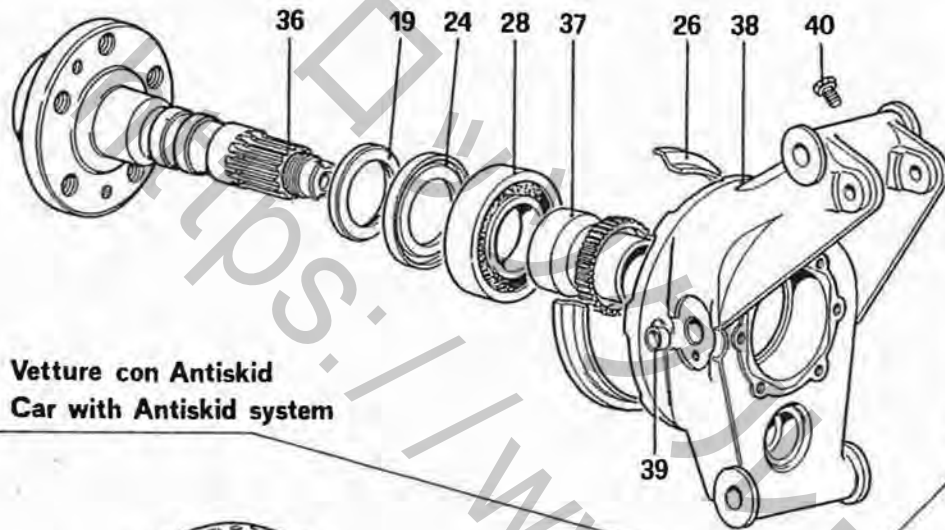


TAVOLA 45

| Rif. | Dis. No. Part No. | Q.ty | DENOMINAZIONE | DESCRIPTION | Rif. | Dis. No. Part No. | Q.ty | DENOMINAZIONE | DESCRIPTION |
|------|----------------------|------|--|---|------|----------------------|------|----------------------------------|---------------------------------|
| 1 | 115699 | 1 | (B) Leva superiore Dx. | (B) Upper lever, right | 18 | 15541531 | 2 | Bullone fissaggio ammortizzatori | Bolt |
| 1 | 131900 | 1 | (A) Leva superiore Dx. | (A) Upper lever, right | 19 | 16105121 | 2 | Dado | Nut |
| - | 115702 | 1 | (B) Leva superiore Sx. | (B) Upper lever, left | 20 | 116005 | 1 | Barra stabilizzatrice ø 21 | Stabilizer rod ø 21 |
| - | 131901 | 1 | (A) Leva superiore Sx. | (A) Upper lever, left | | | | Dopo esaurimento vale n. 118118 | After exhaustion use no. 118118 |
| 2 | 115706 | 1 | Leva inferiore Dx. | Lower lever, right | | | | No per USA | Not for US |
| - | 115707 | 1 | Leva inferiore Sx. | Lower lever, left | 20 | 118118 | 1 | Barra stabilizzatrice ø 22 | Stabilizer rod ø 22 |
| 3 | 104398 | 8 | Flamblock per leva | Flamblock for levers | | | | Per USA | For US |
| 4 | 127639 | 4 | (B) Forcella inferiore | (B) Lower fork | 21 | 114703 | 2 | Tampone ø 21 | Pad ø 21 |
| 4 | 130303 | 4 | (A) Forcella inferiore | (A) Lower fork | | | | Per supporto n. 114702 | For support no. 114702 |
| 5 | 121693 | 8 | Bullone | Bolt | 21 | 130533 | 2 | Tampone ø 21 | Pad ø 21 |
| 6 | 16105121 | 8 | Dado | Nut | | | | Per supporto n. 133227 | For support no. 133227 |
| 7 | 107025 | 8 | Rondella di rasamento per forcella inferiore spessore mm. 1 (di eventuale montaggio) | Shim for lower fork, thickness 1 mm. (possible fitting) | 21 | 130606 | 2 | Tampone ø 22 | Pad ø 22 |
| - | 107418 | 8 | Idem spessore mm. 1,5 | Ditto, thickness 1,5 mm. | | | | Per supporto n. 133227 | For support no. 133227 |
| - | 107419 | 8 | Idem spessore mm. 2 | Ditto, thickness 2 mm. | 22 | 114702 | 2 | Supporto | Support |
| - | 107420 | 8 | Idem spessore mm. 2,5 | Ditto, thickness 2,5 mm. | | | | Dopo esaurimento vale n. 133227 | After exhaustion use no. 133227 |
| - | 107421 | 8 | Idem spessore mm. 3 | Ditto, thickness 3 mm. | 23 | 13516821 | 4 | Prigioniero | Stud |
| - | 107422 | 8 | Idem spessore mm. 3,25 | Ditto, thickness 3,25 mm. | 24 | 16104411 | 4 | Dado | Nut |
| 8 | 12575821 | 4 | Dado | Nut | 25 | 114691 | 2 | Biscottino per barra | Rod link |
| 9 | 101041 | 4 | Rondella | Washer | 26 | 16103621 | 2 | Dado | Nut |
| 10 | 115072 | - | Piastrina superiore registrazione incidenza (di eventuale montaggio) | Upper adjusting plate for caster angle (possible fitting) | 27 | 106854 | 2 | Rondella | Washer |
| 11 | 115073 | - | Piastrina inferiore registrazione incidenza (di eventuale montaggio) | Lower adjusting plate for caster angle (possible fitting) | 28 | 100984 | 8 | Gommino per barra | Grommet for rod |
| 12 | 103256 | 8 | Piastrina superiore registrazione chasse | Upper adjusting plate | 29 | 100985 | 2 | Tubo distanziale | Spacer tube |
| 13 | 101022 | 8 | Piastrina inferiore registrazione chasse | Lower adjusting plate | 30 | 105334 | 4 | Rondella | Washer |
| 14 | 15971621 | 4 | Bullone | Bolt | 31 | 121679 | 2 | Perno | Pin |
| 15 | 12574521 | 4 | Dado | Nut | 32 | 16105121 | 2 | Dado | Nut |
| 16 | 15971621 | 2 | Bullone | Bolt | 33 | 116966 | 2 | Vite | Screw |
| 17 | 12574521 | 2 | Dado | Nut | 34 | 116280 | 2 | Giunto sferico superiore | Upper ball joint |
| | | | | | 35 | 114462 | 2 | Giunto sferico inferiore | Lower ball joint |
| | | | | | | | | Dopo esaurimento vale n. 133944 | After exhaustion use no. 133944 |
| | | | | | 36 | 101445 | 2 | Rondella | Washer |
| | | | | | 37 | 102683 | 4 | Rondella | Washer |



Vetture con Antiskid
Car with Antiskid system

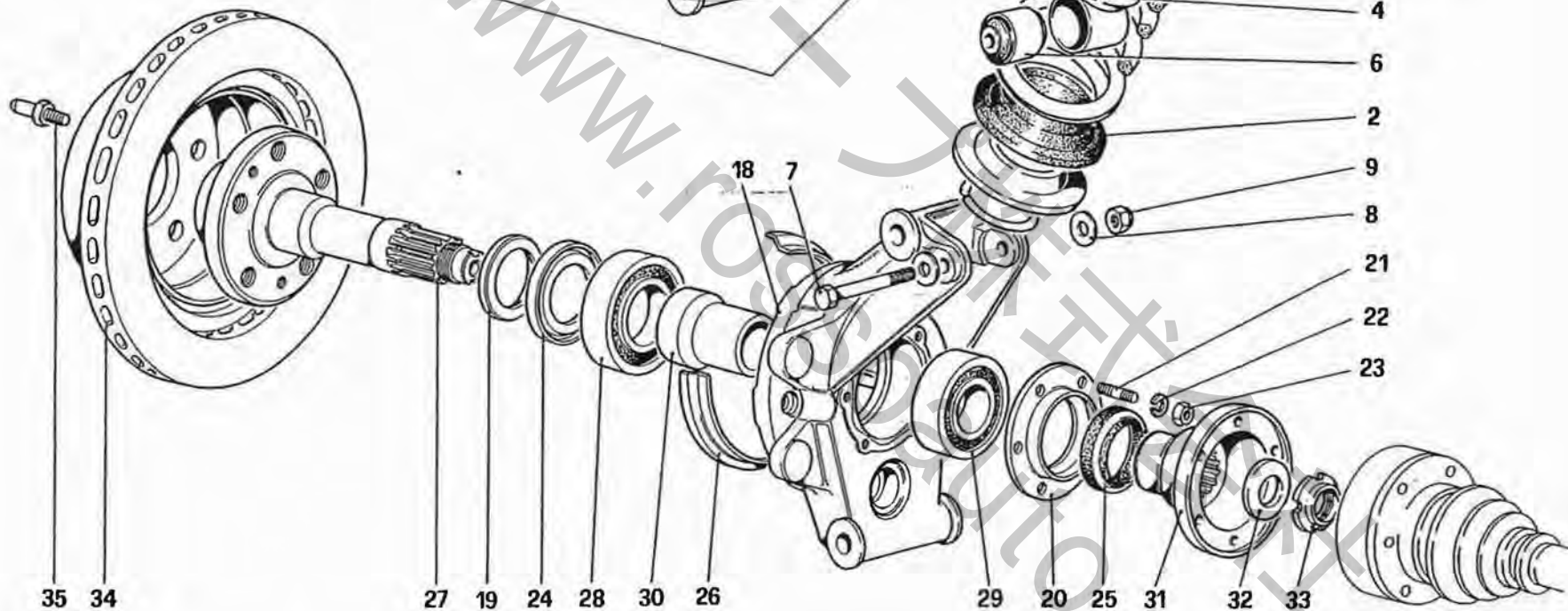
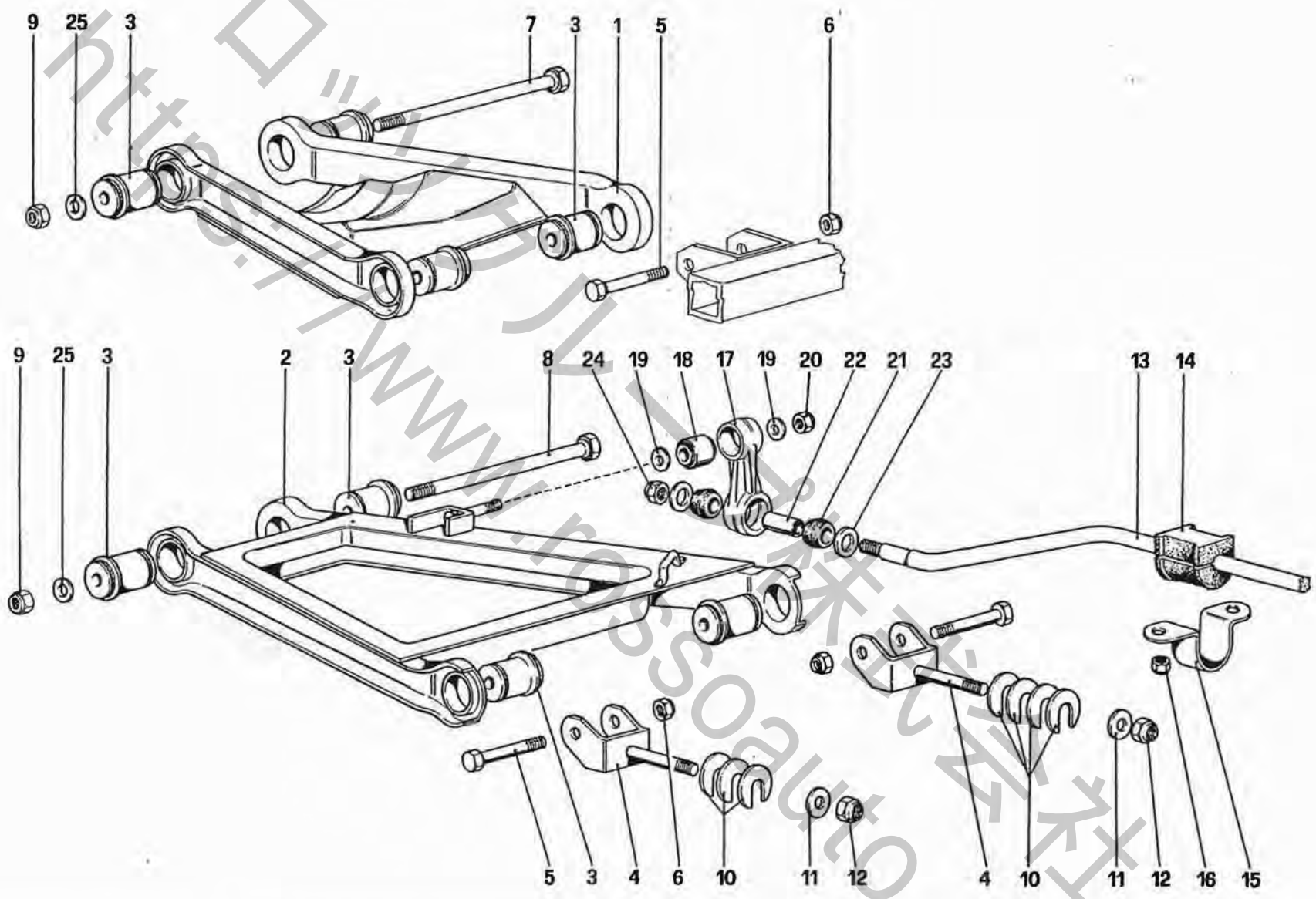


TAVOLA 46

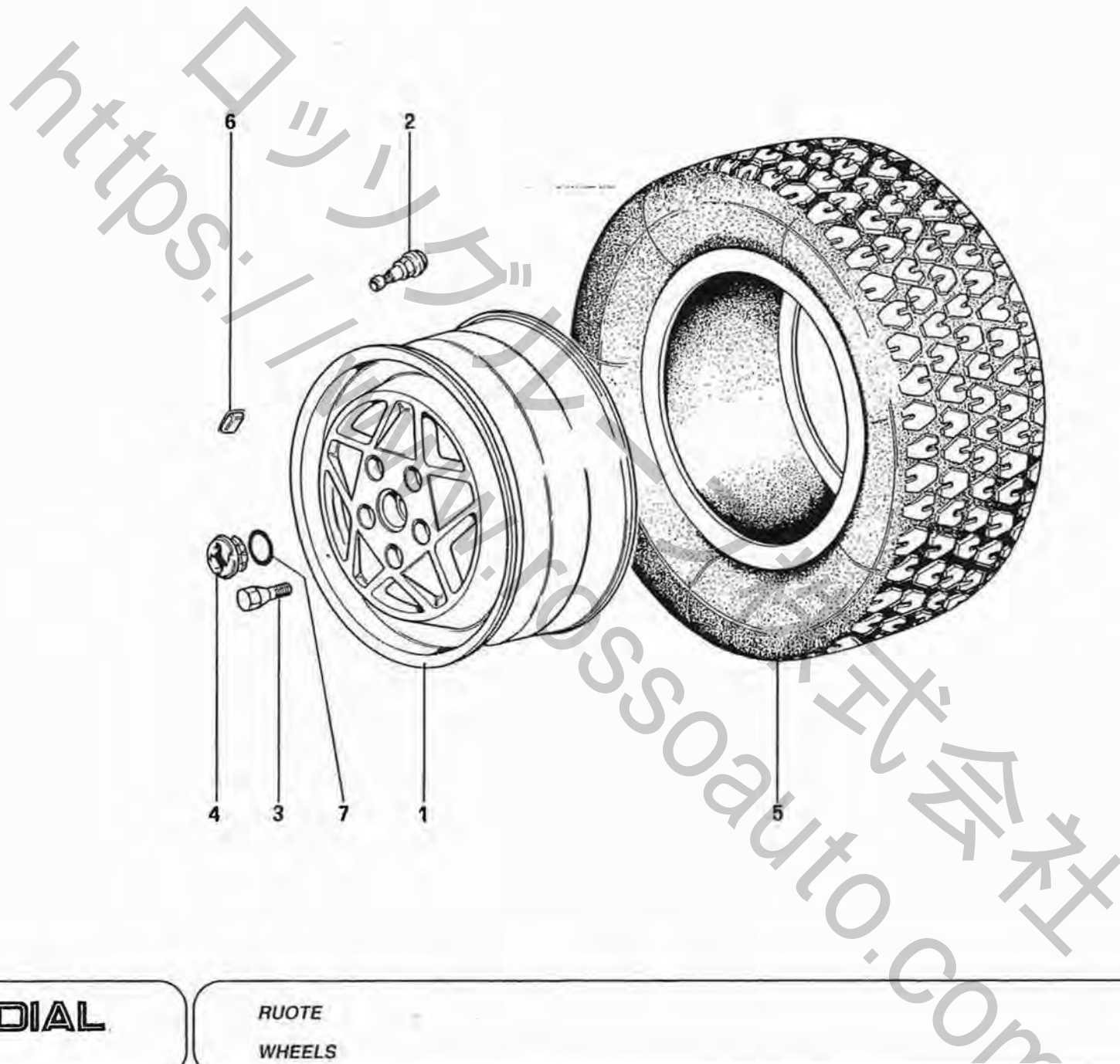
| Rif. | Dis. No. Part No. | Q.ty | DENOMINAZIONE | DESCRIPTION | Rif. | Dis. No. Part No. | Q.ty | DENOMINAZIONE | DESCRIPTION |
|------|----------------------|------|--|---|------|----------------------|------|--|--|
| 1 | 116410 | 1 | Molla sospensione No per USA e C7 | Suspension spring Not for US and C7 | 18 | 129314 | 2 | Portamozzo - Dopo esaurimento vale n. 136271 (Dx.) - 136272 (Sx.) | Hub holder - After exhaustion use no. 136271 (R.H.) - 136272 (L.H.) |
| 1 | 118125 | 1 | Molla sospensione Per USA e C7 | Suspension spring For US and C7 | 19 | 124965 | 2 | Distanziale | Spacer |
| 1 | 123837 | 1 | Molla sospensione No per Cabriolet - USA e C7 | Suspension spring Not for Cabriolet - US and C7 | 20 | 125976 | 2 | Flangia tenuta cuscinetto | Flange for bearing |
| 1 | 121664 | 1 | Molla sospensione Solo per Cabriolet - USA e C7 | Suspension spring For Cabriolet - US and C7 | 21 | 13543321 | 12 | Prigioniero | Stud |
| 2 | 113581 | 2 | Distanziale inferiore | Lower spacer | 22 | 106852 | 12 | (B) Rondella | (B) Washer |
| 3 | 113582 | 2 | Distanziale superiore | Upper spacer | 22 | 127496 | 12 | (A) Rondella | (A) Washer |
| 4 | 114335 | 2 | Ammortizzatore In alternativa n. 126623 Per Cabriolet vale n. 122028 | Shock absorber In alternative no. 126623 For Cabriolet use no. 122028 | 23 | 16100811 | 12 | Dado | Nut |
| 5 | 116358 | 2 | Tampone | Pad | 24 | 124966 | 2 | Anello centrifugatore | Centrifugal ring |
| 6 | 100809 | 2 | Estendblock per ammortizzatore | Estendblock | 25 | 115968 | 1 | Anello di tenuta | Sealing ring |
| 7 | 112441 | 2 | Bullone | Bolt | 26 | 103117 | 2 | Coperchietto paraspruzzi | Splash guard |
| 8 | 106616 | 4 | Rondella | Washer | 27 | 124964 | 2 | Albero con mozzo posteriore | Shaft with rear hub |
| 9 | 16105121 | 2 | Dado | Nut | 28 | 125935 | 2 | Cuscinetto esterno | Outer bearing |
| 10 | 114812 | 2 | Hyperblock attacco ammortizzatore | Hyperblock | 29 | 125934 | 2 | Cuscinetto interno | Inner bearing |
| 11 | 114809 | 2 | Scodellino tenuta molla | Cap, spring retainer | 30 | 120876 | 2 | Distanziale | Spacer |
| 12 | 13543521 | 8 | Prigioniero | Stud | 31 | 119372 | 2 | Flangia attacco semiassi | Flange, connection axle shafts |
| 13 | 12646721 | 6 | Rondella | Washer | 32 | 105511 | 2 | Rondella | Washer |
| 14 | 113113 | 2 | Rondella | Washer | 33 | 102289 | 2 | Ghiera | Ring nut |
| 15 | 16104121 | 8 | Dado | Nut | 34 | 117186 | 2 | Disco freno | Brake disc |
| 16 | 16105121 | 2 | Dado | Nut | 35 | 104370 | 4 | Vite di centraggio | Centering screw |
| 17 | 114815 | 4 | Rondella | Washer | 36 | 132408 | 2 | Albero con mozzo posteriore | Shaft with rear hub |
| | | | | | 37 | 132409 | 2 | Distanziale con ruota fonica | Spacer with toothed wheel |
| | | | | | 38 | 130309 | 1 | Portamozzo Dx. | Hub holder, right |
| | | | | | | 130310 | 1 | Portamozzo Sx. | Hub holder, left |
| | | | | | 39 | 14328601 | 2 | (B) Tappo | (B) Plug |
| | | | | | 40 | 10979421 | 2 | (B) Vite | (B) Screw |



08205

TAVOLA 47

| Rif. | Dis. No. Part No. | Q.ty | DENOMINAZIONE | DESCRIPTION | Rif. | Dis. No. Part No. | Q.ty | DENOMINAZIONE | DESCRIPTION |
|------|----------------------|------|---|---|------|----------------------|------|---|------------------------------------|
| 1 | 115716 | 1 | Leva superiore Dx. | Upper lever, right | - | 107342 | 8 | Idem spessore mm. 3,25 | Ditto, thickness 3,25 mm. |
| - | 115715 | 1 | Leva superiore Sx. | Upper lever, left | 11 | 101041 | 4 | Rondella | Washer |
| 2 | 117805 | 1 | Leva inferiore Dx. | Lower lever, right | 12 | 12575821 | 4 | Dado | Nut |
| - | 117806 | 1 | Leva inferiore sx. | Lower lever, left | 13 | 116075 | 1 | Barra stabilizzatrice - No per USA e C7 | Stabilizer rod - Not for US and C7 |
| 3 | 103170 | 16 | Flamblok per attacco leve | Flamblock for levers | 13 | 118119 | 1 | Barra stabilizzatrice - Per USA e C7 | Stabilizer rod - For US and C7 |
| 4 | 127641 | 4 | Forcella inferiore | Lower fork | 14 | 116381 | 2 | Tampone - No per USA e C7 | Pad - Not for US and C7 |
| 5 | 121693 | 8 | Bullone | Bolt | 14 | 110874 | 2 | Tampone - Per USA e C7 | Pad - For US and C7 |
| 6 | 16105121 | 8 | Dado | Nut | 15 | 104417 | 2 | Cavalotto tenuta barra | Rod retainer |
| 7 | 112439 | 2 | Bullone | Bolt | 16 | 12575621 | 4 | Dado | Nut |
| 8 | 112440 | 2 | Bullone | Bolt | 17 | 108432 | 2 | Biscottino per barra | Rod link |
| 9 | 16105121 | 4 | Dado | Nut | 18 | 100773 | 2 | Silentblock per biscottino | Silentblock for link |
| 10 | 107340 | 8 | Rondella di rasamento per forcella inferiore mm. 2,5 (di eventuale montaggio) | Shim for lower fork, thickness 2,5 mm. (possible fitting) | 19 | 108913 | 4 | Rondella di rasamento | Shim |
| - | 101039 | 8 | Idem spessore mm. 1 | Ditto, thickness 1 mm. | 20 | 16105121 | 2 | Dado | Nut |
| - | 107338 | 8 | Idem spessore mm. 1,5 | Ditto, thickness 1,5 mm. | 21 | 107335 | 4 | Gommino | Grommet |
| - | 107339 | 8 | Idem spessore mm. 2 | Ditto, thickness 2 mm. | 22 | 108294 | 2 | Tubo distanziale | Spacer tube |
| - | 107341 | 8 | Idem spessore mm. 3 | Ditto, thickness 3 mm. | 23 | 117285 | 2 | Rondella | Washer |
| | | | | | 24 | 16104421 | 2 | Dado | Nut |
| | | | | | 25 | 106616 | 4 | Rondella | Washer |



3MONDIAL
3.2

RUOTE
WHEELS

TAV. 48
DATA: OTTOBRE 87

TAVOLA 48

| Rif. | Dis. No. Part No. | Q.ty | DENOMINAZIONE | DESCRIPTION | Rif. | Dis. No. Part No | Q.ty | DENOMINAZIONE | DESCRIPTION |
|------|----------------------|------|---|--|------|---------------------|------|--|---|
| 1 | 126971 | 3 | Ruota anteriore 7J x 16" Per GOOD YEAR No per AUS | Front rim 7J x 16" For GOOD YEAR Not for AUS | 5 | 129867 | 2 | Copertura tubeless posteriore GOOD YEAR 225/55 VR 16 EAGLE Per ruota n. 126949 | Rear tyre GOOD YEAR 225/55 VR 16 EAGLE For rim no. 126949 |
| 1 | 126949 | 2 | Ruota anteriore 8J x 16" Per GOOD YEAR No per AUS | Front rim 8J x 16" For GOOD YEAR Not for AUS | 5 | 116136 | 3 | Copertura tubeless anteriore MICHELIN TRX 220/55 VR 390 Per ruota n. 127465 | Front tyre MICHELIN TRX 220/55 VR 390 For rim no. 127465 |
| 1 | 127465 | 3 | Ruota anteriore 165 TR 390 Per MICHELIN | Front rim 165 TR 390 For MICHELIN | 5 | 112804 | 2 | Copertura tubeless posteriore MICHELIN TRX 220/55 VR 390 Per ruota n. 127457 | Rear tyre MICHELIN TRX 220/55 VR 390 For rim no. 127457 |
| 1 | 127457 | 2 | Ruota anteriore 180 TR 390 Per MICHELIN | Front rim 180 TR 390 For MICHELIN | 6 | 108851 | - | Contrappeso gr. 10 | Counter weight 10 gr. |
| 2 | 105069 | 5 | Valvola per copertura tubeless | Valve for tubeless tyre | 7 | 120065 | 5 | Anello di tenuta | Sealing ring |
| 3 | 120503 | 20 | Colonna per ruota | Wheel stud | | | | | |
| 4 | 108947 | 5 | Coppa per ruota | Wheel cover | | | | | |
| 5 | 129866 | 3 | Copertura tubeless anteriore GOOD YEAR 205/55 VR 16 EAGLE Per ruota n. 126971 | Front tyre GOOD YEAR 205/55 VR 16 EAGLE For rim no. 126971 | | | | | |

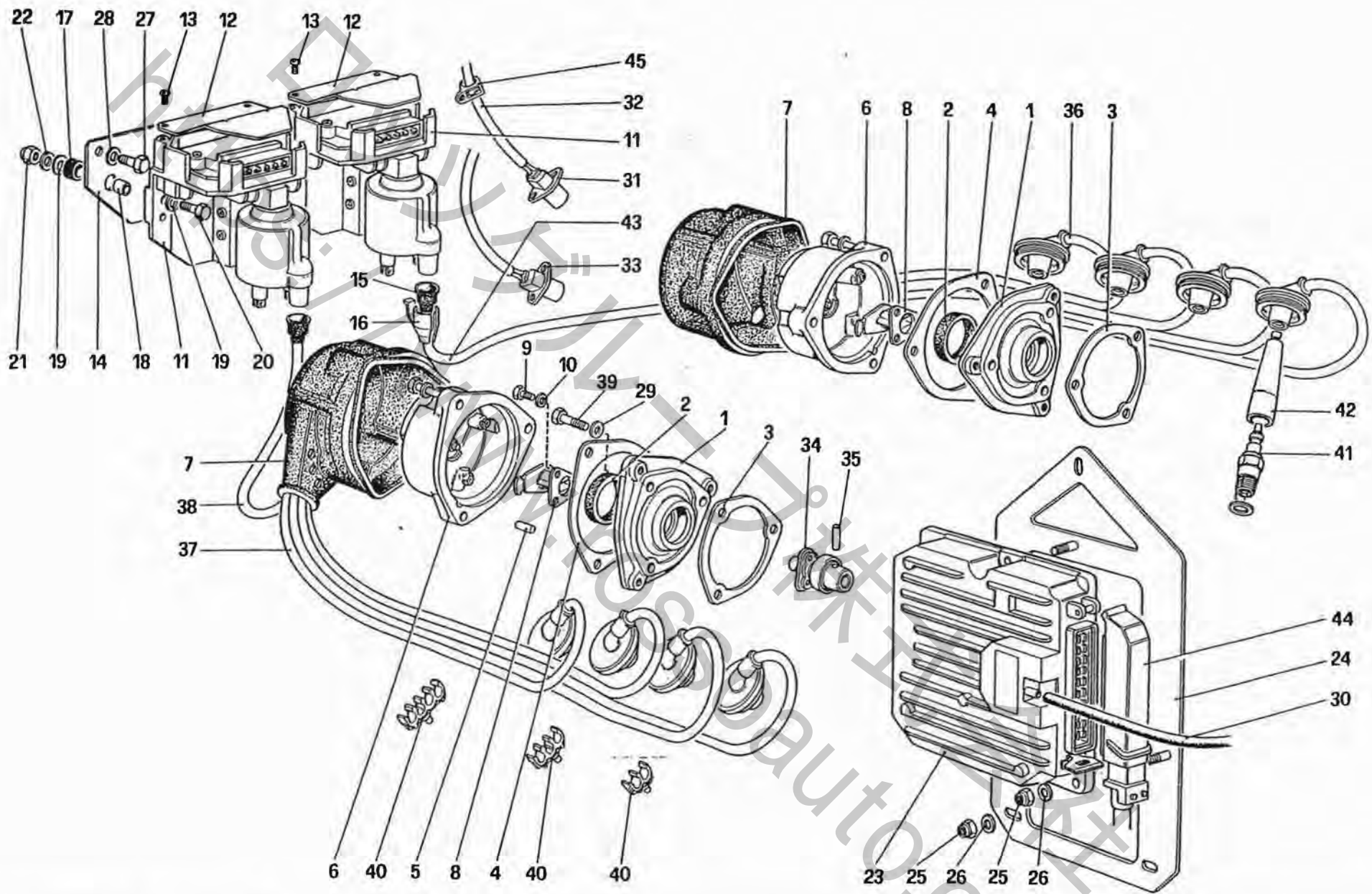
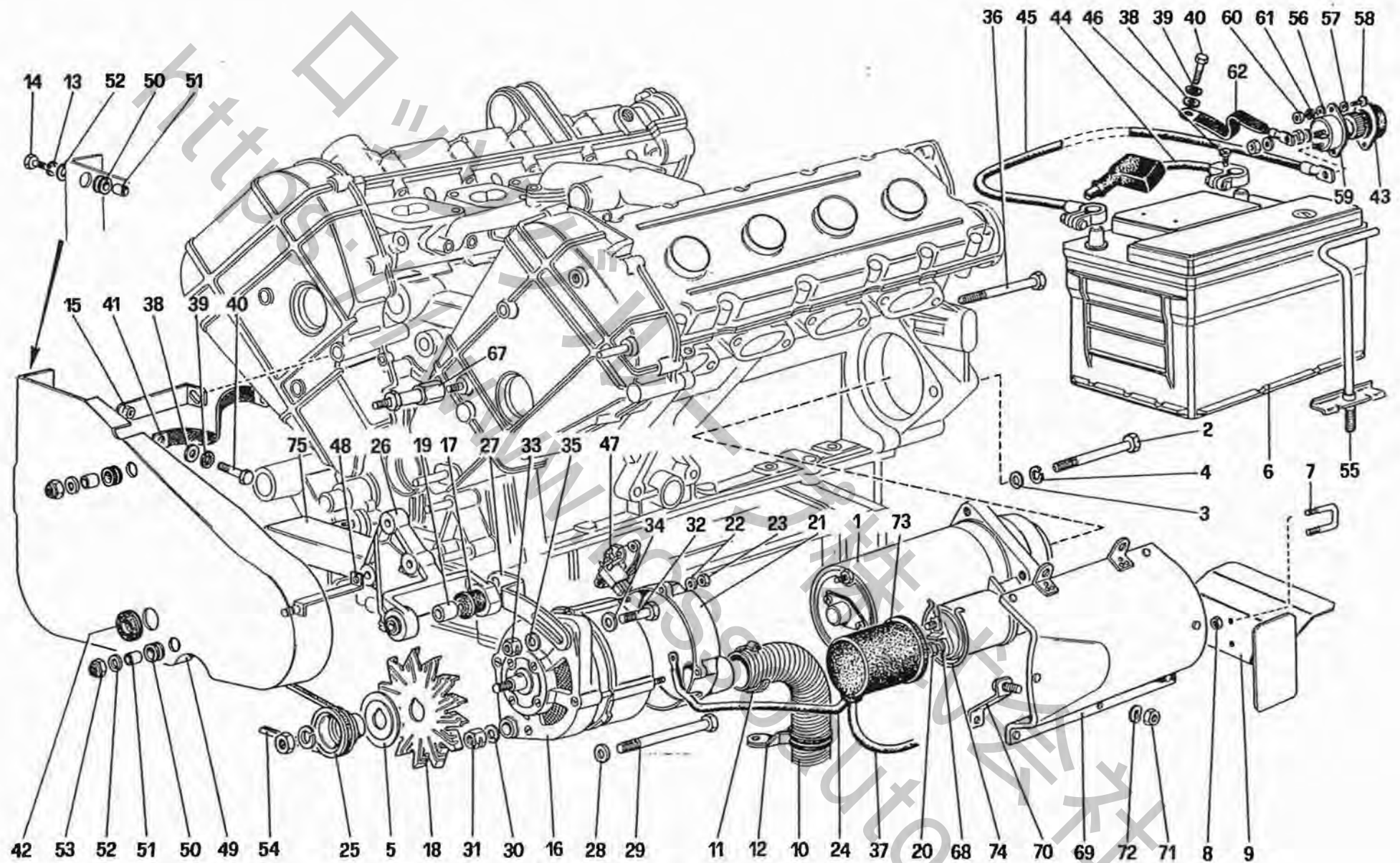


TAVOLA 49

| Rif. | Dis. No. Part No. | Q.ty | DENOMINAZIONE | DESCRIPTION |
|------|----------------------|------|--------------------------------------|---------------------------------|
| 1 | 133100 | 2 | Supporto calotta distributore | Cap distributor support |
| 2 | 132453 | 2 | Anello di tenuta | Sealin ring |
| 3 | 117261 | 2 | Guarnizione - No per C8 | Gasket - Nol for C8 |
| 3 | 134956 | 2 | Guarnizione - Per C8 | Gasket - For C8 |
| 4 | 119409 | 2 | Guarnizione | Gasket |
| 5 | 10331111 | 2 | Grano | Dowel |
| 6 | 115518 | 2 | Calotta distributrice | Distributor cap |
| 7 | 118889 | 2 | Cuffia protezione calotta | Distributor boot |
| 8 | 126139 | 2 | Spazzola rotante | Rotor arm |
| 9 | 10444521 | 6 | Vite | Screw |
| 10 | 12544071 | 6 | Rondella | Washer |
| 11 | 127134 | 2 | Bobina | Coil |
| | | | Dopo esaurimento vale n. 124273 | After exhaustion use no. 124273 |
| 12 | 128169 | 2 | Protezione | Protection |
| 13 | 15921807 | 4 | Vite | Screw |
| 14 | 127387 | 1 | Supporto bobine | Coil support |
| | | | Per Cabriolet vale n. 128409 | For Cabriolet use no. 128409 |
| 15 | 122970 | 2 | Cappuccio | Cover |
| 16 | 129620 | 2 | Protezione cavo | Protection |
| 17 | 103549 | 4 | Boccola antivibrante | Bush vibration damping |
| 18 | 103550 | 4 | Distanziale | Spacer |
| 19 | 12643701 | 8 | Rondella | Washer |
| 20 | 10902821 | 4 | Vite | Screw |
| 21 | 12574211 | 4 | Dado | Nut |
| 22 | 14496401 | 4 | Rondella | Washer |
| 23 | 127422 | 1 | Centralina elettronica di accensione | Electronic ignition module |
| 24 | 127364 | 1 | Piastra fissaggio centralina | Plate |
| | | | Per Cabriolet vale n. 128419 | - For Cabriolet use no. 128419 |
| 25 | 12574211 | 6 | Dado | Nut |
| 26 | 14496401 | 6 | Rondella | Washer |
| 27 | 10902111 | 3 | Vite | Screw |

| Rif. | Dis. No. Part No. | Q.ty | DENOMINAZIONE | DESCRIPTION |
|------|----------------------|------|---|-------------------------------------|
| 28 | 14496401 | 3 | Rondella | Washer |
| 29 | 11197771 | 2 | Rondella | Washer |
| 30 | 117170 | 1 | Tube - Per Cabriolet vale n. 121177 | Pipe - For Cabriolet use no. 121177 |
| 31 | 128364 | 1 | Sensore punto morto superiore | TDC sensor |
| 32 | 128365 | 1 | Tube color nero | Black pipe |
| 33 | 119052 | 1 | Sensore velocità angolare | Angular speed sensor |
| 34 | 126166 | 2 | Innesto | Coupling |
| | | | Fino vettura n. 71929 | Until car no. 71929 |
| 34 | 133063 | 1 | Innesto | Coupling |
| | | | Dalla vettura n. 71931 | From car no. 71931 |
| 35 | 132355 | 2 | Spina | Pin |
| 36 | 118826 | 1 | Assieme cavi candele Sx. | Cables, left spark plugs |
| 37 | 118827 | 1 | Assieme cavi candele Dx. | Cables, right spark plugs |
| 38 | 119356 | 1 | Cavo bobina - distributore Dx. | Right coil - distributor |
| - | 121174 | 1 | Cavo bobina - distributore cilindri 1+4 | Cable, distributor-coil cyl 1+4 |
| | | | Per Cabriolet | For Cabriolet |
| 39 | 10902321 | 2 | Vite | Screw |
| 40 | 121788 | 4 | Molletta supporto cavi (4 cavi) | Small clip for cable support |
| - | 121789 | 2 | Molletta supporto cavi (3 cavi) | Small clip for cable support |
| - | 121790 | 2 | Molletta supporto cavi (2 cavi) | Small clip for cable support |
| 41 | 124274 | 8 | Candela di accensione (CHAMPION) | Spark plug (CHAMPION) |
| | | | Dopo esaurimento vale n. 131922 | After exhaustion use no. 131922 |
| 41 | 130965 | 8 | Candela di accensione (BOSCH) | Spark plug (BOSCH) |
| | | | In alternativa | In alternative |
| 42 | 126699 | 8 | Prolunga | Extension |
| 43 | 128166 | 1 | Cavo bobina distributore Sx. | Left cable coil-distributor |
| - | 121175 | 1 | Cavo bobina-distributore cilindri 5+8 | Cable, distributor-coil cyl 5+8 |
| | | | Per Cabriolet | For Cabriolet |
| 44 | 61916900 | 11 | Connettore a 25 vie | 25 way connector |
| 45 | 129544 | 1 | Fascetta | Clamp |
| | | | Dalla vettura n. 63027 | From car no. 63027 |



3.2 MONDIAL

GENERAZIONE DI CORRENTE
ELECTRIC GENERATING SYSTEM

TAV. 50
DATA: OTTOBRE 87

08925

TAVOLA 50

| Rif. | Dis. No. Part No. | Q.ty | DENOMINAZIONE | DESCRIPTION |
|------|----------------------|------|--|---|
| 1 | 120967 | 1 | Motorino avviamento (BOSCH) | Starter motor (BOSCH) |
| 2 | 16045121 | 2 | Bullone fissaggio motorino | Fixing bolt |
| 3 | 11198071 | 3 | Rondella | Washer |
| 4 | 10519621 | 3 | Rondella | Washer |
| 5 | 114305 | 1 | Rondella | Washer |
| 6 | 118060 | 1 | Batteria | Battery |
| | | | 12V - 66AH - 300 A | 12V - 66AH - 300 A |
| 6 | 61933900 | 1 | Batteria 12V - 70AH - 380 A In alternativa (No per USA) | Battery 12V - 70AH - 380 A In alternative (Not for US) |
| 7 | 116591 | 1 | Cavallotto | Fixing plate |
| 8 | 12574011 | 2 | Dado | Nut |
| 9 | 120451 | 1 | Lamierino di protezione | Metal shield for protection |
| 10 | 121190 | 1 | Tubo | Pipe |
| 11 | 12180090 | 1 | Fascetta | Clamp |
| 12 | 121839 | 1 | Fascetta | Clamp |
| 13 | 106850 | 1 | Rondella elastica | Washer |
| 14 | 10902421 | 1 | Vite | Screw |
| 15 | 121621 | 1 | Staffa | Bracket |
| 16 | 121761 | 1 | Alternatore BOSCH 85A | Alternator BOSCH 85A |
| 17 | 117969 | 2 | Boccola elastica | Elastic bush |
| 18 | 118802 | 1 | Ventola | Fan |
| 19 | 124678 | 1 | Boccola | Bush |
| 20 | 16100811 | 1 | Dado | Nut |
| 21 | 121837 | 1 | Convogliatore aria | Air conveyor |
| 22 | 12601171 | 4 | Rondella | Washer |
| 23 | 15896421 | 4 | Dado | Nut |
| 24 | 121188 | 1 | Cavi collegamento generatore | Generator connecting cables |
| 25 | 123708 | 1 | Puleggia | Pulley |
| 26 | 124655 | 1 | Supporto alternatore | Support for alternator |
| 27 | 117937 | 1 | Staffa di regolazione | Plate for regulation |
| 28 | 13550421 | 1 | Rondella | Washer |
| 29 | 15972921 | 1 | Bullone | Bolt |
| 30 | 12601471 | 1 | Rondella | Washer |
| 31 | 117702 | 1 | Dado | Nut |
| 32 | 11343821 | 1 | Vite | Screw |
| 33 | 117702 | 1 | Dado | Nut |
| 34 | 13550421 | 1 | Rondella | Washer |
| 35 | 105391 | 1 | Rondella | Washer |
| 36 | 116751 | 1 | Bullone fissaggio motorino | Fixing bolt |
| 37 | 116415 | 1 | Cavo motorino connettore motore | Cable starter to engine connector |
| 38 | 10519601 | 2 | Rondella | Washer |
| 39 | 10615679 | 2 | Rondella dentata | Washer |

| Rif. | Dis. No. Part No. | Q.ty | DENOMINAZIONE | DESCRIPTION |
|------|----------------------|------|--|--|
| 40 | 16043121 | 2 | Bullone | Bolt |
| 41 | 115668 | 1 | Cavo di massa motore | Earth cable for engine |
| 42 | 40134108 | 1 | Tappo | Cap |
| 43 | 119441 | 1 | Cuffia per interruttore | Cover for switch |
| 44 | 116414 | 1 | (B) Cavo batteria connettore lato motore | (B) Cable from battery to connector engine side |
| 44 | 123674 | 1 | (A) Cavo batteria connettore lato motore | (A) Cable from battery to connector engine side |
| 45 | 116754 | 1 | Cavo dalla batteria al blocchetto stacca batteria e a massa | Cable from battery to battery switch connector or to ground |
| 46 | 12575411 | 1 | Dado - Per cavo n. 116414 | Nut - For cable no. 116414 |
| 46 | 16104411 | 1 | Dado - Per cavo n. 123674 | Nut - For cable no. 123674 |
| 47 | 121840 | 1 | Regolatore di tensione | Voltage regulator |
| 48 | 123331 | 1 | Staffa | Bracket |
| 49 | 124262 | 1 | Paratia protezione cinghia | Protection plate for alternator bell |
| 50 | 103549 | 3 | Gommino antivibrante | Anti vibration rubber |
| 51 | 103550 | 3 | Boccola | Bush |
| 52 | 12643701 | 3 | Rondella | Washer |
| 53 | 12575411 | 2 | Dado | Nut |
| 54 | 123709 | 1 | Cinghia comando alternatore Dopo esaurimento vale n. 130493 | Control bell alternator After exhaustion use no. 130493 |
| 55 | 60641100 | 1 | Assieme perno fiss. batteria | Bolt assembly holding battery |
| 56 | 14498501 | 1 | Rondella piana | Washer |
| 57 | 12639401 | 2 | Rondella tranciata | Washer |
| 58 | 10373411 | 2 | Vite | Screw |
| 59 | 123677 | 1 | Interruttore stacca batteria | Battery switch |
| 60 | 16101711 | 2 | Dado | Nut |
| 61 | 10615171 | 2 | Rondella dentata | Washer |
| 62 | 116753 | 1 | Treccia in rame stacca batteria massa telaio | Copper braid from battery terminal hearth chassis |
| 63 | 119441 | 1 | Cuffia per interruttore | Cover for switch |
| 66 | 12575411 | 1 | Dado | Nut |
| 67 | 124263 | 1 | Colonna | Stud bolt |
| 68 | 10516670 | 1 | Rondella | Washer |
| 69 | 107038 | 1 | Paratia per motorino No per USA - CH - Cabriolet - SA | Shield panel Not for US - CH - Cabriolet - SA |
| 70 | 107039 | 1 | Staffa No per USA - CH - Cabriolet - SA | Bracket Not for US - CH - Cabriolet - SA |
| 71 | 15896211 | 1 | Dado - No per USA - CH - Cabriolet - SA | Nut - Not for US - CH - Cabriolet - SA |
| 72 | 12643701 | 1 | Rondella - No per USA - CH - Cabriolet - SA | Washer - Not for US - CH - Cabriolet - SA |
| 73 | 113990 | 1 | Cappuccio | Cover |
| 74 | 105550 | 1 | Anello di fermo | Stop ring |
| 75 | 108304 | 1 | Paratia - Per USA - SA | Shield panel - For US - SA |

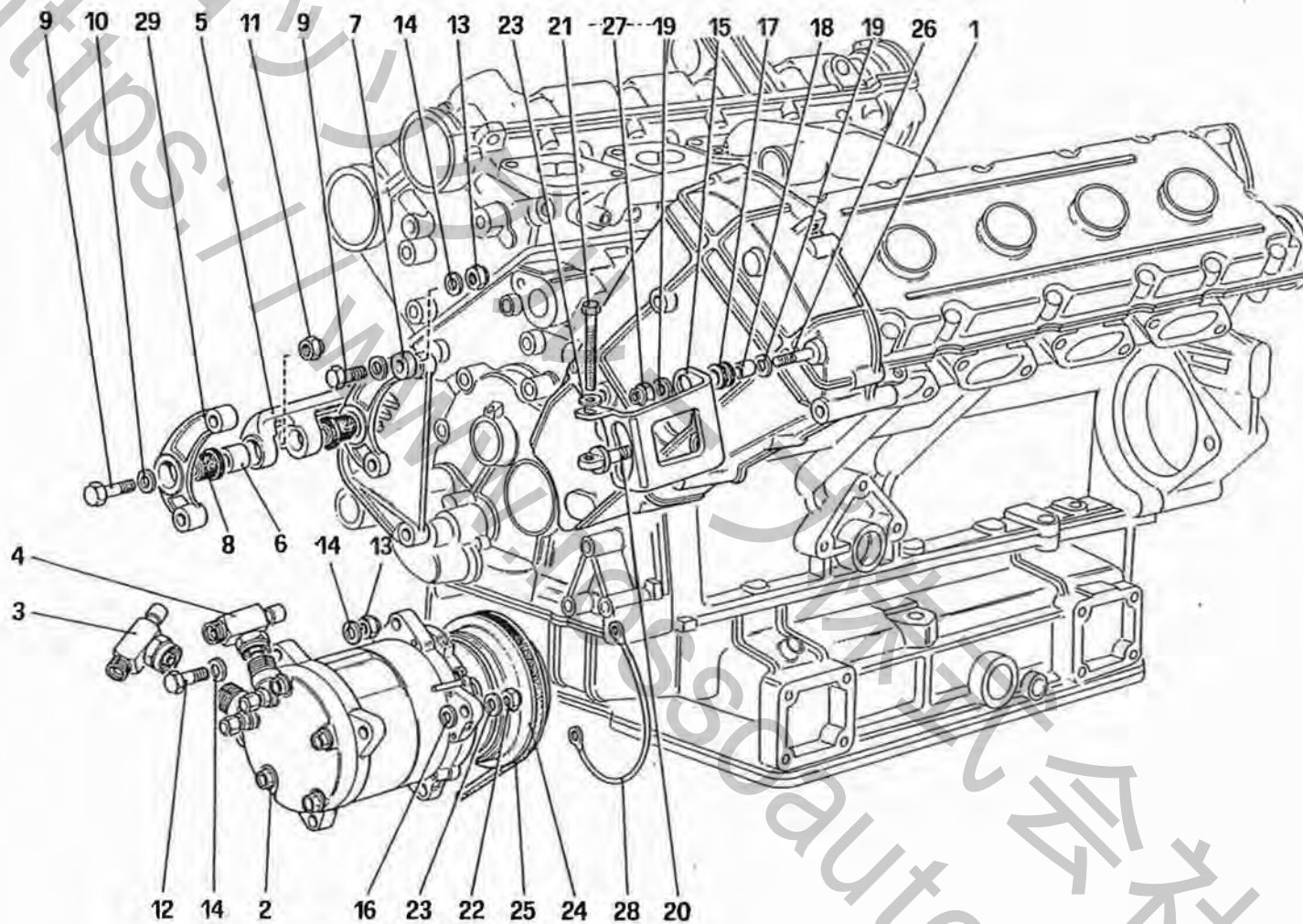
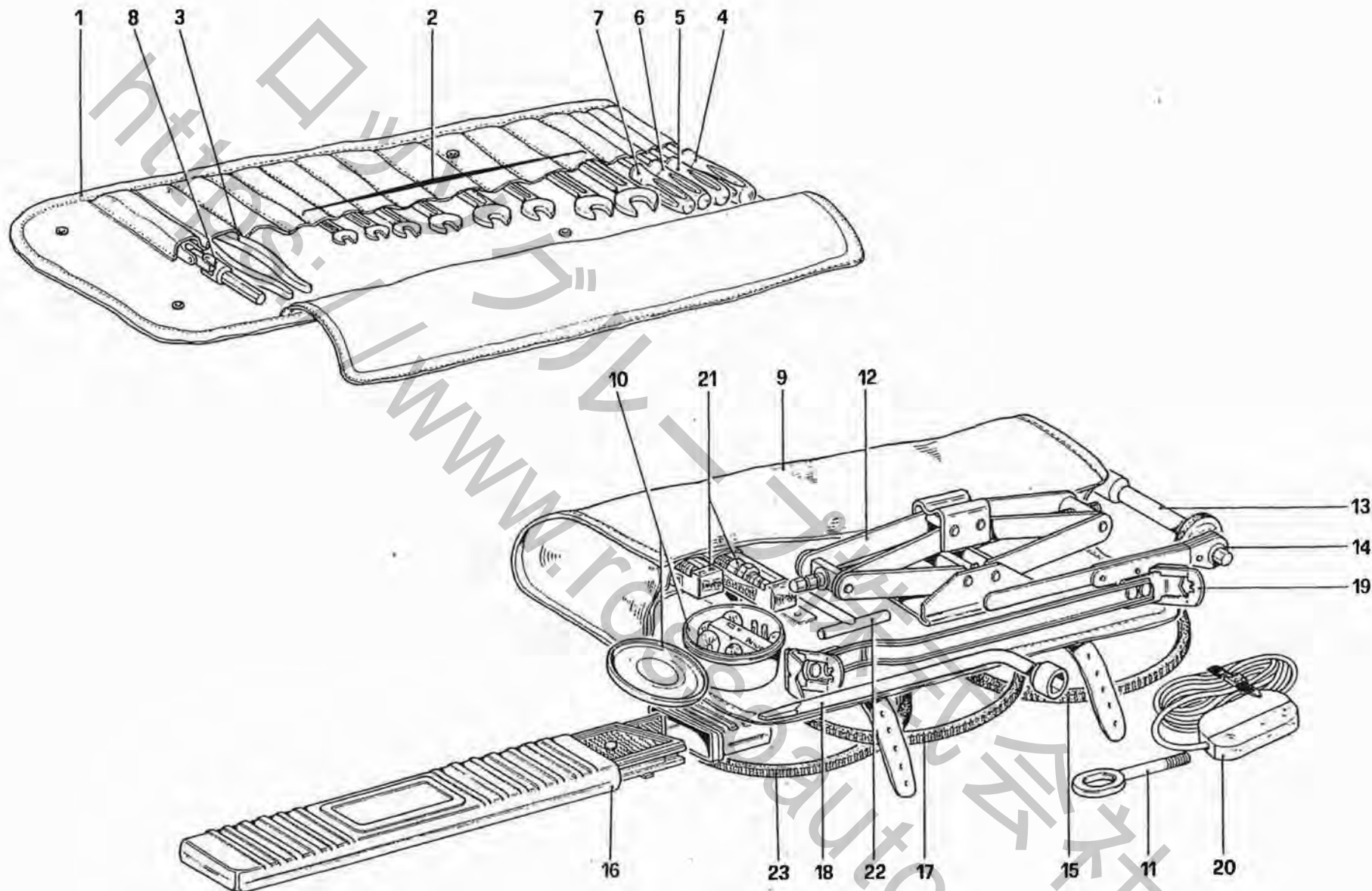


TAVOLA 51

| Rif. | Dis. No. Part No. | Q.ty | DENOMINAZIONE | DESCRIPTION | Rif. | Dis. No. Part No | Q.ty | DENOMINAZIONE | DESCRIPTION |
|------|----------------------|------|-----------------------------------|------------------------------------|------|---------------------|------|------------------------------|-----------------------------|
| 1 | 124681 | 1 | Carter Sx. completo No per USA | Left, cover complete Not for US | 14 | 114496621 | 8 | Rondella | Washer |
| 1 | 117438 | 1 | Carter Sx. completo Per USA | Left, cover complete For US | 15 | 123704 | 1 | Staffa regolazione cinghia | Bracket |
| 2 | 123205 | 1 | Compressore (Sankyo SD 508) | Compressor (Sankyo SD 508) | 16 | 14496621 | 1 | Rondella | Washer |
| 3 | 124333 | 1 | Raccordo di aspirazione | Inlet union | 17 | 123701 | 2 | Isolante | Insulation |
| 4 | 124334 | 1 | Raccordo di scarico | Exhaustion union | 18 | 123702 | 2 | Boccola | Bush |
| 5 | 123698 | 1 | Supporto compressore | Support | 19 | 108283 | 4 | Rondella | Washer |
| 6 | 123707 | 1 | Distanziale | Spacer | 20 | 123188 | 1 | Perno filettato | Pin |
| 7 | 123699 | 1 | Staffa intermedia anteriore | Front bracket | 21 | 125668 | 1 | Vite | Screw |
| 8 | 117969 | 2 | Boccola elastica | Elastic bush | 22 | 16104111 | 1 | Dado | Nut |
| 9 | 11343821 | 4 | Vite | Screw | 23 | 14496521 | 2 | Rondella | Washer |
| 10 | 114496621 | 2 | Rondella | Washer | 24 | 123813 | 1 | Giunto elettromagnetico | Electro-magnetic clutch |
| 11 | 12575611 | 2 | Dado | Nut | 25 | 124108 | 1 | Cinghia comando compressore | Control belt for compressor |
| 12 | 11307021 | 2 | Vite | Screw | 26 | 13449521 | 1 | Prigioniero | Stud |
| 13 | 12574511 | 4 | Dado | Nut | 27 | 12574511 | 2 | Dado | Nut |
| | | | | | 28 | 108043 | 1 | Cavetto di massa | Earth cable |
| | | | | | 29 | 123703 | 1 | Staffa intermedia posteriore | Rear bracket |



3MONDIAL
2

DOTAZIONE ATTREZZI
TOOL - KIT

TAV. 52
DATA: OTTOBRE 87

TAVOLA 52

| Rif. | Dis. No. Part No. | Q.ty | DENOMINAZIONE | DESCRIPTION | Rif. | Dis. No. Part No. | Q.ty | DENOMINAZIONE | DESCRIPTION |
|------|----------------------|------|---|--|------|----------------------|------|--|---|
| 1 | 127589 | 1 | Contenitore per attrezzi completo | Tool kit box complete | 11 | 128705 | 1 | Gancio di traino | Towing hook |
| 2 | 114440 | | Serie chiavi fisse | Set of spanners | 12 | 106530 | 1 | Martinetto sollevamento vettura tipo 232 F | Jack, type 232 F |
| 3 | 101515 | 1 | Pinza universale da 180 mm. | Pliers, 180 mm. | 13 | 106531 | 1 | Chiave a bussola per avviamento a mano martinetto | Socket spanner for jack |
| 4 | 101516 | 1 | Cacciavite per viti ad intaglio da 150 mm. | Screwdriver, 150 mm. | 14 | 106532 | 1 | Chiave a cricchetto zinco cromata | Ratchet spanner, zinc plated |
| 5 | 101517 | 1 | Cacciavite per viti ad intaglio da 120 mm. | Screwdriver, 120 mm. | 15 | 124108 | 1 | Cinghia comando compressore | Compressor belt |
| 6 | 101518 | 1 | Cacciavite tipo Philips per viti fino a ø 4 mm. | Philips screwdriver up to ø 4 mm. | 16 | 106879 | 1 | Triangolo di segnalazione No per USA | Warning device Not for US |
| 7 | 101519 | 1 | Cacciavite tipo Philips per viti da ø 5 a 9 mm. | Philips screwdriver from ø 5 to 9 mm. | 17 | 121655 | 1 | Cinghia comando pompa acqua | Water pump belt |
| 8 | 127590 | 1 | Chiave estrazione candele | Spanner for spark plug | 18 | 106877 | 1 | Chiave per ruote | Spanner for wheels |
| 9 | 129184 | 1 | Trousse in finta pelle nera contenente attrezzi d'emergenza completa No per USA | Bag, black imitation leather containing first aid tools complete Not for US | 19 | 116832 | 1 | Arpione sollevamento batteria | Hook for battery |
| 9 | 129190 | 1 | Trousse in finta pelle nera contenente attrezzi d'emergenza completa Per USA | Bag, black imitation leather containing first aid tools complete For US | 20 | 40179202 | 1 | Lampada di soccorso | Emergency lamp |
| 10 | 127424 | 1 | Contenitore lampade e fusibili Non vale per USA | Buld and fuses box Not for US | 21 | 124274 | 2 | Candela di accensione (CHAMPION A-6 G) Dopo esaurimento vale n. 131922 | Sparking plugs (CHAMPION A-6 G) After exhaustion use no. 131922 |
| 10 | 127823 | 1 | Contenitore lampade e fusibili Per USA | Buld and fuses box For US | 22 | 60964100 | 1 | Maniglia di soccorso tetto apribile No per Cabriolet | Emergency handle for sun roof Not for Cabriolet |
| | | | I particolari n. 2 - 3 - 4 - 5 - 6 - 7 non sono forniti a ricambio ma con il complessivo 127589 | Items nos. 2 - 3 - 4 - 5 - 6 - 7 are not supplied as spare parts but only with unit 127589 | 23 | 123709 | 1 | Cinghia comando alternatore Dopo esaurimento vale n. 130493 | Alternator belt After exhaustion use no. 130493 |

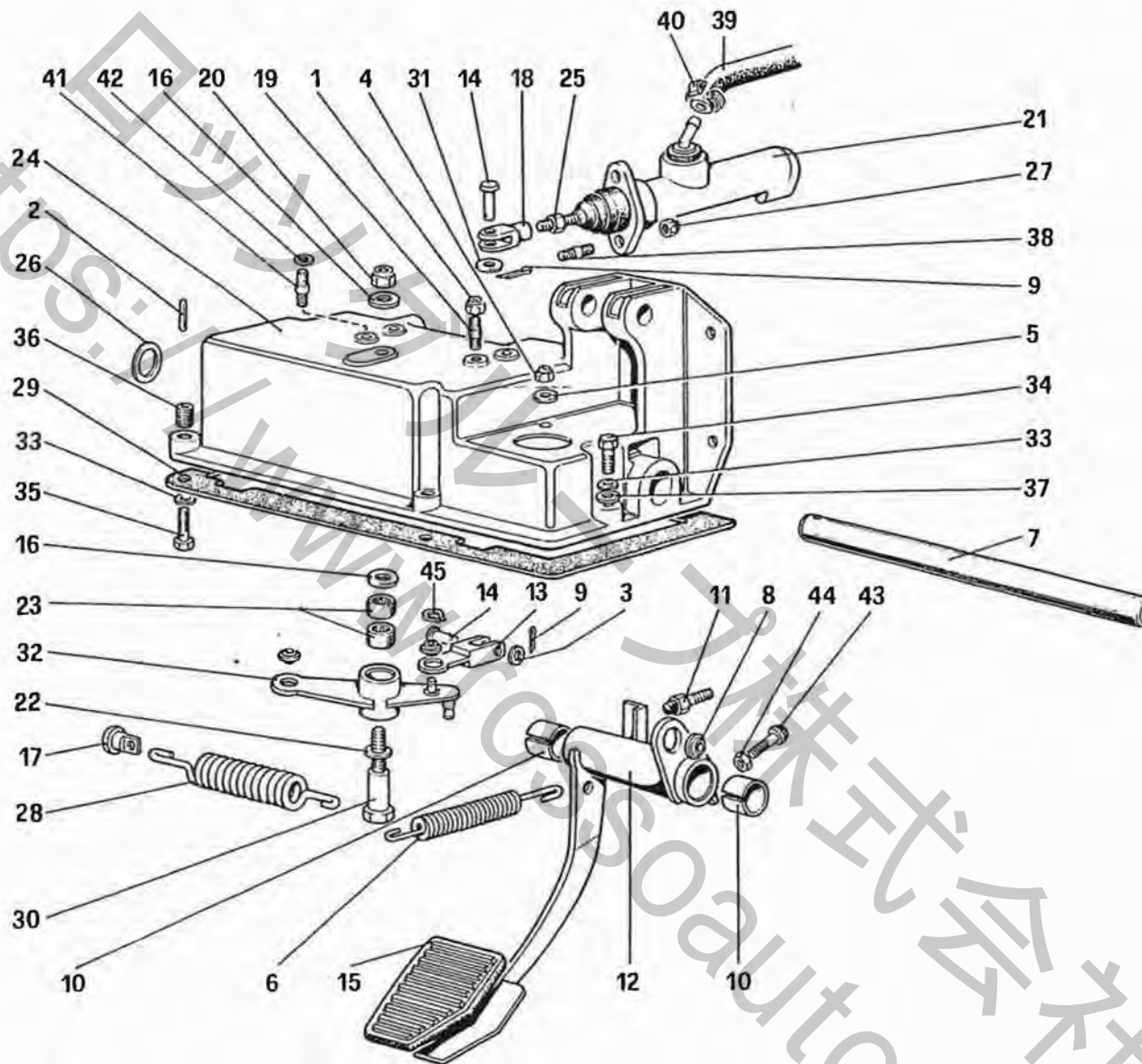


TAVOLA 53

| Rif. | Dis. No. Part No. | Q.ty | DENOMINAZIONE | DESCRIPTION | Rif. | Dis. No. Part No. | Q.ty | DENOMINAZIONE | DESCRIPTION |
|------|----------------------|------|---|-----------------------------------|------|----------------------|------|---|---|
| 1 | 12574121 | 4 | Dado | Nut | - | 113834 | 1 | Rondella di rasamento mm. 1,2 Di eventuale montaggio | Shim, 1,2 mm. Possible fitting |
| 2 | 13942870 | 1 | Spina | Plug | - | 113835 | 1 | Rondella di rasamento mm. 1,3 Di eventuale montaggio | Shim, 1,3 mm. Possible fitting |
| 3 | 10519601 | 2 | Rondella | Washer | - | 113836 | 1 | Rondella di rasamento mm. 1,4 Di eventuale montaggio | Shim, 1,4 mm. Possible fitting |
| 4 | 16100821 | 1 | Dado | Nut | 27 | 16104111 | 2 | Dado | Nut |
| 5 | 12601371 | 1 | Rondella | Washer | 28 | 114826 | 1 | Molla assistenza | Helper spring |
| 6 | 104895 | 1 | Molla richiamo pedale | Return spring | 29 | 119331 | 1 | Guarnizione | Gasket |
| 7 | 113831 | 1 | Perno supporto pedali | Pin | 30 | 114830 | 1 | Perno per leva rinvio | Pin for return lever |
| 8 | 109407 | 3 | Snodo sferico | Ball joint | 31 | 12642701 | 1 | Rondella | Washer |
| 9 | 10734201 | 3 | Copiglia | Split pin | 32 | 121243 | 1 | Leva rinvio | Lever |
| 10 | 103163 | 2 | Boccola | Bush | 33 | 106852 | 5 | Rondella | Washer |
| 11 | 114825 | 1 | Puntalino d'arresto | Stop push rod | 34 | 16043821 | 3 | Vite | Screw |
| 12 | 121244 | 1 | Pedale frizione | Clutch pedal | 35 | 16043421 | 2 | Vite | Screw |
| 13 | 121209 | 1 | Forcellino | Fork | 36 | 13525870 | 2 | Heli - coil | Heli - coil |
| 14 | 10050810 | 2 | Perno | Pin | 37 | 10519620 | 3 | Rondella | Washer |
| 15 | 106949 | 1 | Gommino copripedale | Pedal cover | 38 | 13543321 | 2 | Prigioniero | Stud |
| 16 | 113500 | 2 | Rondella | Washer | 39 | 123265 | 1 | Tube dalla vaschetta alla pompa frizione | Feed pipe for clutch master cylinder |
| 17 | 114828 | 1 | Perno tenuta molla | Pin | 40 | 12179190 | 2 | Fascetta | Clamp |
| 18 | 10007871 | 1 | Forcellino | Fork | 41 | 12637801 | 1 | Prigioniero | Stud |
| 19 | 11000921 | 3 | Prigioniero | Stud | 42 | 121209 | 4 | Rondella | Washer |
| 20 | 16105121 | 1 | Dado autobloccante | Selflocking nut | 43 | 123961 | 1 | Puntalino d'arresto | Stop push rod |
| 21 | 108419 | 1 | Pompa comando idraulico frizione | Master cylinder | 44 | 16102311 | 1 | Dado | Nut |
| 22 | 112126 | 1 | Rondella di rasamento | Shim | 45 | 11065676 | 1 | Anello seeger | Seeger ring |
| 23 | 115430 | 2 | Astuccio a rullini | Roller cage | | | | | |
| 24 | 119379 | 1 | Supporto pedaliera | Support | | | | | |
| 25 | 16102311 | 1 | Controdado | Lock nut | | | | | |
| 26 | 106083 | 1 | Rondella di rasamento mm. 1,0 Di eventuale montaggio | Shim, 1,0 mm. Possible fitting | | | | | |
| - | 113833 | 1 | Rondella di rasamento mm. 1,1 Di eventuale montaggio | Shim, 1,1 mm. Possible fitting | | | | | |

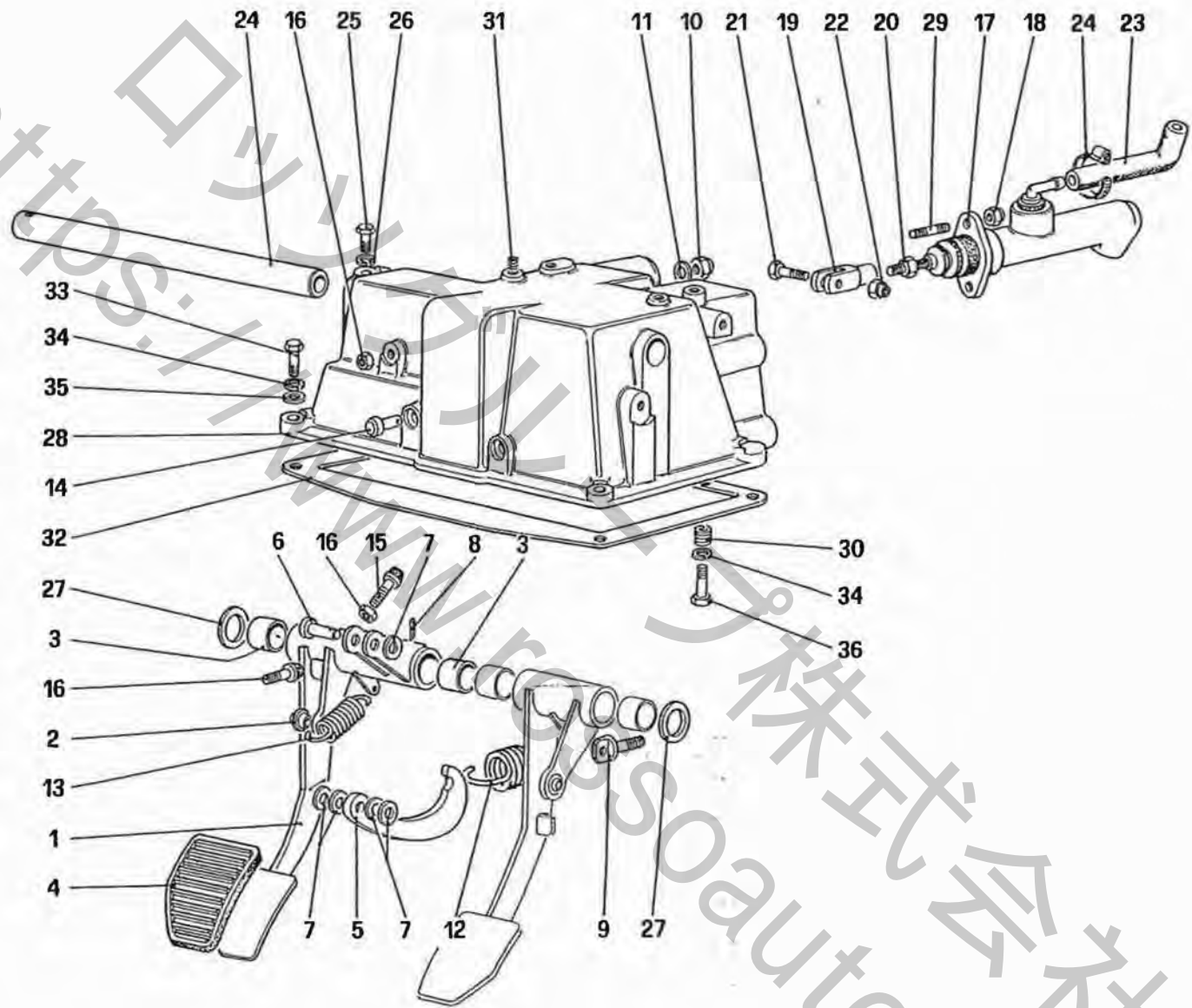


TAVOLA 54

| Rif. | Dis. No. Part No. | Q.ty | DENOMINAZIONE | DESCRIPTION | Rif. | Dis. No. Part No. | Q.ty | DENOMINAZIONE | DESCRIPTION |
|------|----------------------|------|------------------------|-----------------|------|----------------------|------|---|-----------------------------------|
| 1 | 131282 | 1 | Pedale frizione | Clutch pedal | 24 | 12179190 | 2 | Fascetta | Clamp |
| 2 | 109407 | 1 | Snodo sferico | Ball joint | 24 | 131319 | 1 | Perno supporto pedali | Pin |
| 3 | 101363 | 2 | Boccola | Bush | 25 | 10902221 | 1 | Vite | Screw |
| 4 | 106949 | 1 | Gommino copripedale | Pedal cover | 26 | 12601271 | 1 | Rondella | Washer |
| 5 | 129628 | 1 | Leva rinvio | Return lever | 27 | 106083 | 2 | Rondella di rasamento mm. 1 | Shim, 1 mm. |
| 6 | 117092 | 1 | Perno | Pin | - | 113833 | 2 | Di eventuale montaggio Rondella di rasamento mm. 1,1 | Possible fitting Shim, 1,1 mm. |
| 7 | 102901 | 5 | Rondella | Washer | - | 113834 | 2 | Di eventuale montaggio Rondella di rasamento mm. 1,2 | Possible fitting Shim, 1,2 mm. |
| 8 | 10796401 | 1 | Copiglia | Spit pin | - | 113835 | 2 | Di eventuale montaggio Rondella di rasamento mm. 1,3 | Possible fitting Shim, 1,3 mm. |
| 9 | 129629 | 1 | Perno per molla | Pin for spring | - | 113836 | 2 | Di eventuale montaggio Rondella di rasamento mm. 1,4 | Possible fitting Shim, 1,4 mm. |
| 10 | 16104121 | 1 | Dado autobloccante | Selflocking nut | 28 | 131284 | 1 | Supporto pedaliera | Pedal case |
| 11 | 12601371 | 1 | Rondella | Washer | 29 | 13516821 | 2 | Prigioniero | Stud |
| 12 | 117091 | 1 | Molla | Spring | 30 | 13525770 | 1 | Heli - coil | Heli - coil |
| 13 | 101305 | 1 | Molla richiamo pedale | Return spring | 31 | 13525170 | 4 | Heli - coil | Heli - coil |
| 14 | 129612 | 1 | Perno | Pin | 32 | 129615 | 1 | Guarnizione | Gasket |
| 15 | 123961 | 2 | Puntalino d'arresto | Stop push rod | 33 | 16043621 | 3 | Vite | Screw |
| 16 | 16102311 | 2 | Dado | Nut | 34 | 127495 | 4 | Rondella | Washer |
| 17 | 129630 | 1 | Pompa comando frizione | Master cylinder | 35 | 10519601 | 3 | Rondella | Washer |
| 18 | 16104111 | 2 | Dado autobloccante | Selflocking nut | 36 | 16043321 | 1 | Vite | Screw |
| 19 | 10248271 | 1 | Forcellino | Fork | | | | | |
| 20 | 16102311 | 1 | Controdado | Lock nut | | | | | |
| 21 | 130926 | 1 | Vite | Screw | | | | | |
| 22 | 16104411 | 1 | Dado autobloccante | Selflocking nut | | | | | |
| 23 | 134903 | 1 | Tubo | Pipe | | | | | |

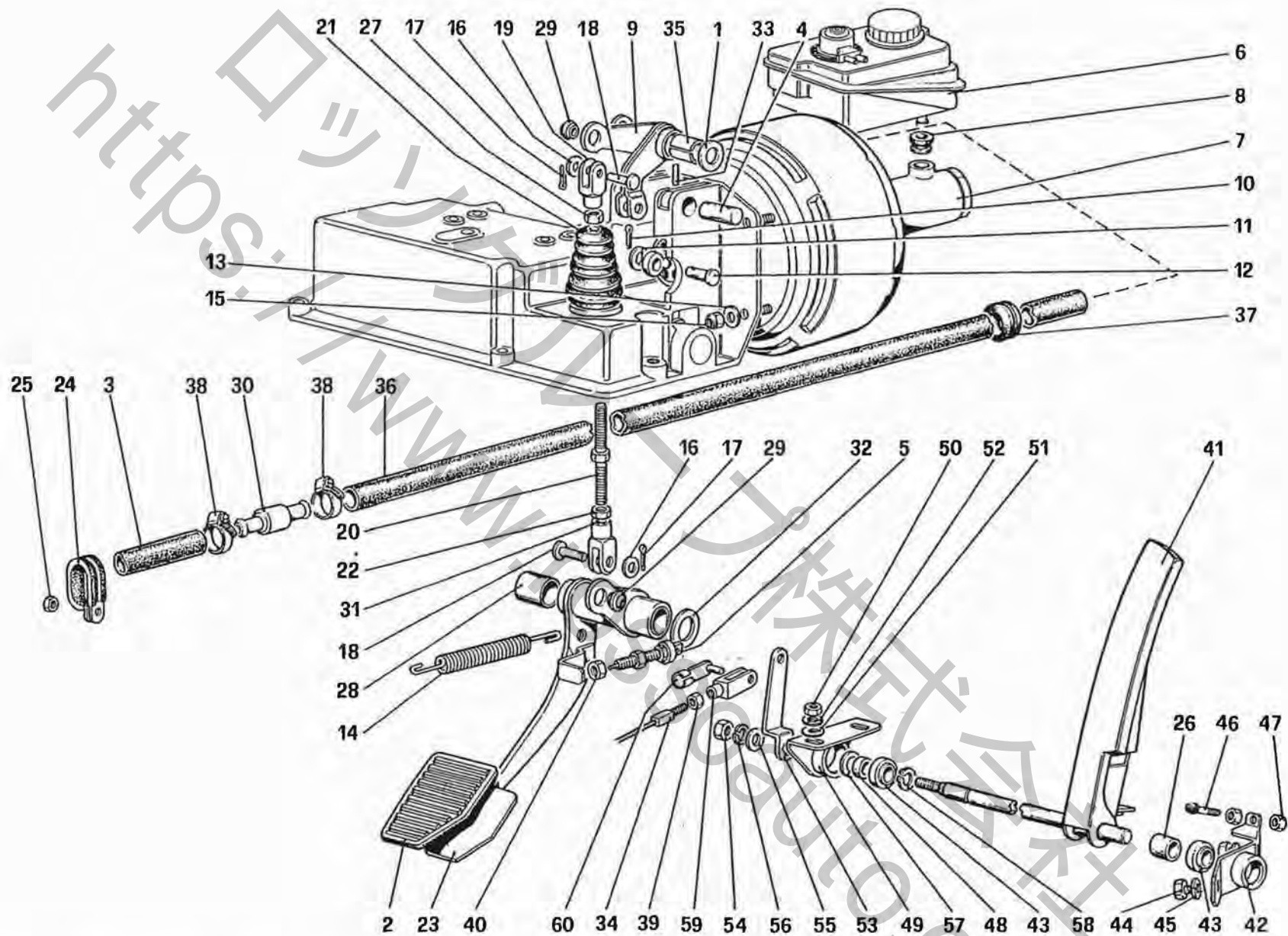


TAVOLA 55

| Rif. | Dis. No. Part No. | Q.ty | DENOMINAZIONE | DESCRIPTION | Rif. | Dis. No. Part No. | Q.ty | DENOMINAZIONE | DESCRIPTION |
|------|----------------------|------|--|---|------|----------------------|------|---|-------------------------------------|
| 1 | 112126 | 2 | Rondella di rasamento | Shim | 30 | 128435 | 1 | Valvola non ritorno | Non return valve |
| 2 | 106950 | 1 | Gommino copripedale | Pedal cover | 31 | 104911 | 1 | Forcellino filetto Sx. | Fork, left thread |
| 3 | 120232 | 1 | Tubo dalla valvola al 3 vie | Pipe from valve to 3 way | 32 | 106083 | 1 | Rondella di rasamento | Shim |
| 4 | 112165 | 1 | Perno supporto leva rinvio | Pin for return lever | 33 | 114623 | 1 | Spirol | Pin |
| 5 | 119439 | 1 | Interruttore luci arresto | Stop light switch | 34 | 118817 | 1 | Cavo comando acceleratore | Control cable for accelerator |
| 6 | 119566 | 1 | Vaschetta liquido freni e frizione Con servofreno n. 124515 | Brake and clutch fluid reservoir With brake booster no. 124515 | 35 | 112161 | 1 | Boccola | Bush |
| 7 | 124515 | 1 | Servofreno Fino vettura n. 72519 | Brake booster Until car no. 72519 | 36 | 119361 | 1 | Tubo dal servofreno alla valvola non ritorno | Hose from brake booster to valve |
| 6 | 133579 | 1 | Vaschetta liquido freni e frizione Con servofreno n. 133570 | Brake and clutch fluid reservoir With brake booster no. 133570 | 37 | 10396880 | 1 | Passafilo | Fair lead |
| 7 | 133570 | 1 | Servofreno Dalla vettura n. 72521 | Brake booster From car no. 72521 | 38 | 12179590 | 4 | Fascetta | Clamp |
| 8 | 106625 | 2 | Anello di tenuta | Sealing ring | 39 | 10725911 | 1 | Dado | Nut |
| 9 | 121248 | 1 | Leva servofreno | Brake booster lever | 40 | 101662 | 1 | Dado paracolpi | Nut |
| 10 | 10796401 | 1 | Copiglia | Split pin | 41 | 116522 | 1 | Pedale acceleratore | Accelerator pedal |
| 11 | 10630521 | 1 | Rondella | Washer | 42 | 116526 | 1 | Supporto pedale acceleratore | Support for accelerator pedal |
| 12 | 10033411 | 1 | Perno | Pin | 43 | 122430 | 1 | Snodo sferico | Ball joint |
| 13 | 12601371 | 4 | Rondella | Washer | 44 | 16043221 | 2 | Vite | Screw |
| 14 | 104895 | 1 | Molla richiamo pedale | Pedal return spring | 45 | 106852 | 2 | Rondella | Washer |
| 15 | 16104411 | 4 | Dado | Nut | 46 | 116527 | 1 | Vite registro | Adjusting screw |
| 16 | 103167 | 2 | Rondella | Washer | 47 | 16102311 | 2 | Dado | Nut |
| 17 | 10796401 | 2 | Copiglia | Split pin | 48 | 116529 | 1 | Distanziale | Spacer |
| 18 | 10033411 | 2 | Perno | Pin | 49 | 116528 | 1 | Supporto snodo sferico | Support |
| 19 | 104910 | 1 | Forcellino filetto Dx. | Fork, right thread | 50 | 15896211 | 2 | Dado | Nut |
| 20 | 119164 | 1 | Tirante | Tie rod | 51 | 12643701 | 2 | Dado tranciata | Washer |
| 21 | 112157 | 1 | Soffietto | Bellows | 52 | 106850 | 2 | Rondella elastica | Washer |
| 22 | 11690911 | 1 | Dado filetto Sx. | Nut, left thread | 53 | 115399 | 1 | Leva comando acceleratore | Lever |
| 23 | 121247 | 1 | Pedale freno | Brake pedal | 54 | 16100811 | 1 | Dado | Nut |
| 24 | 61712600 | 1 | Fascetta sostegno tubo | Clamp | 55 | 10519601 | 1 | Rondella | Washer |
| 25 | 12574211 | 1 | Dado | Nut | 56 | 106852 | 1 | Rondella | Washer |
| 26 | 117991 | 1 | Distanziale | Spacer | 57 | 105929 | 1 | Rondella di rasamento sp. mm. 0,3 | Shim, 0,3 mm. |
| 27 | 10788711 | 1 | Dado filetto Dx. | Nut, right thread | - | 105930 | 1 | Idem sp. mm. 0,5 | Ditto, thickness 0,5 mm. |
| 28 | 103163 | 2 | Boccola | Bush | - | 105931 | 1 | Idem sp. mm. 0,7 | Ditto, thickness 0,7 mm. |
| 29 | 100424 | 2 | Snodo sferico | Ball joint | 58 | 11066076 | 1 | Anello seeger | Seeger ring |
| | | | | | 59 | 100655 | 1 | Forcella | Fork |
| | | | | | 60 | 100656 | 1 | Perno | Pin |

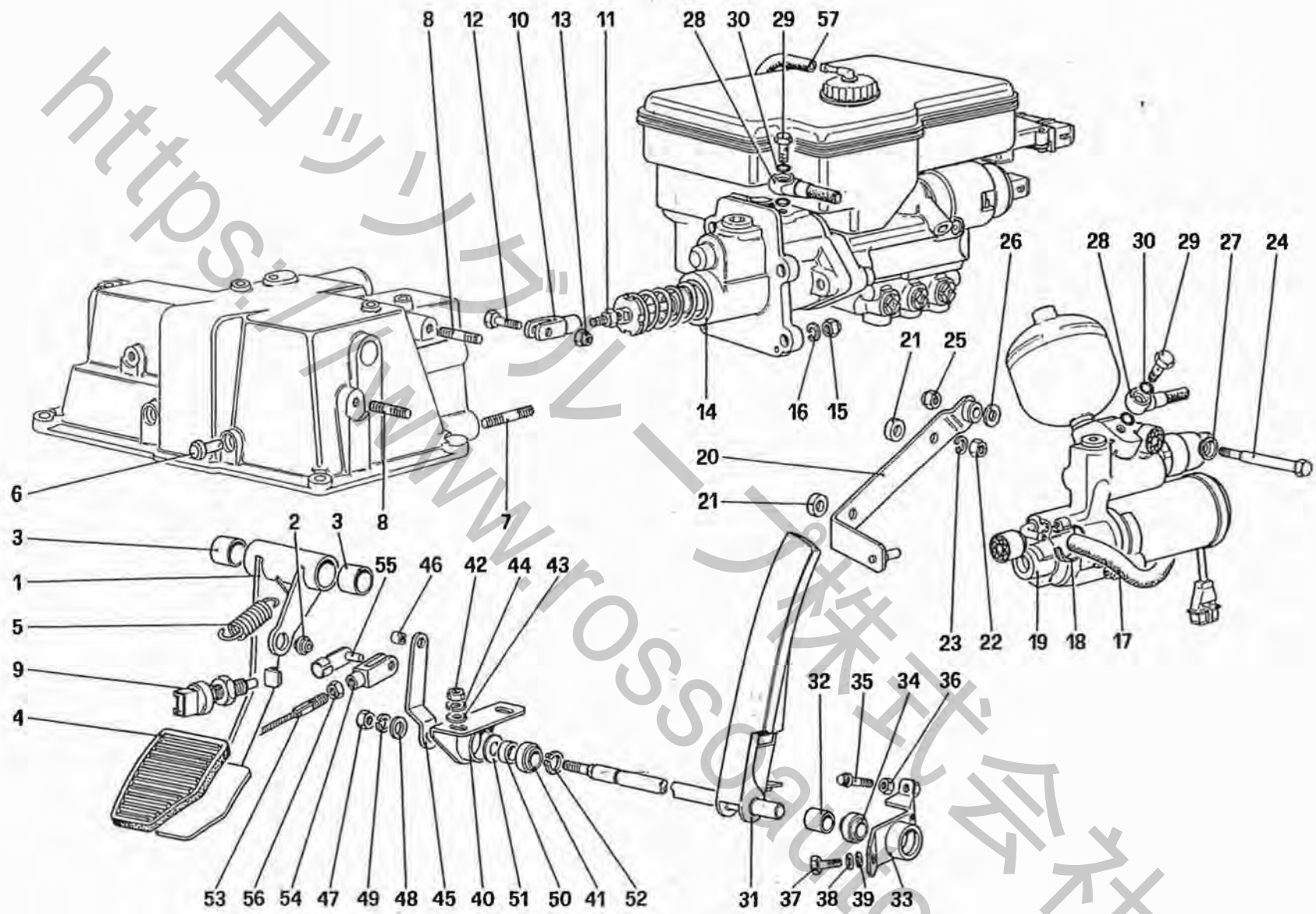
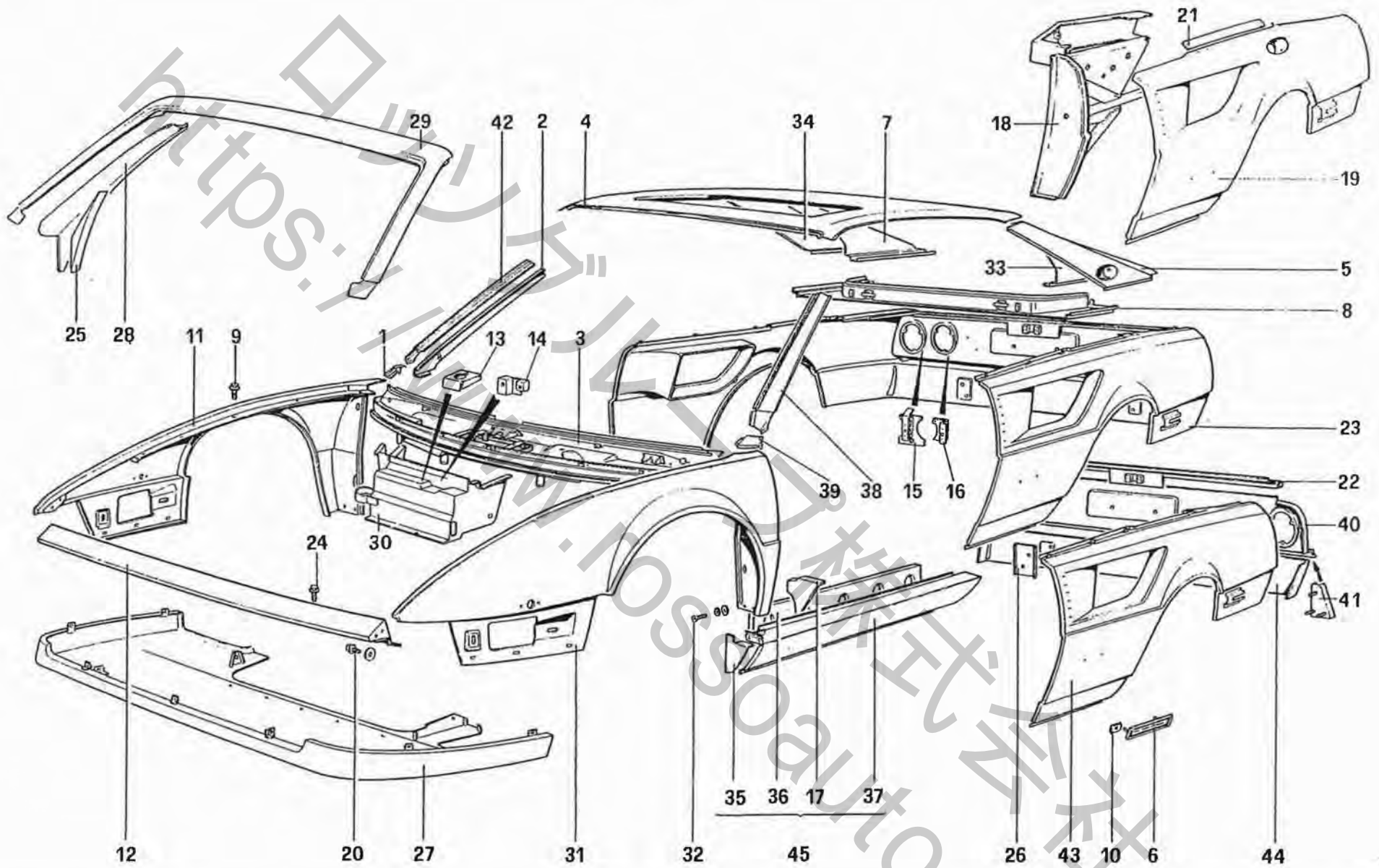


TAVOLA 56

| Rif. | Dis. No. Part No. | Q.ty | DENOMINAZIONE | DESCRIPTION | Rif. | Dis. No. Part No. | Q.ty | DENOMINAZIONE | DESCRIPTION |
|------|----------------------|------|---------------------------|-----------------------|------|----------------------|------|-----------------------------------|-------------------------------|
| 1 | 131316 | 1 | Pedale freno | Brake pedal | 31 | 116522 | 1 | Pedale acceleratore | Accelerator pedal |
| 2 | 109407 | 1 | Snodo sferico | Ball joint | 32 | 117991 | 1 | Distanziale | Spacer |
| 3 | 103163 | 2 | Boccola | Bush | 33 | 116526 | 1 | Supporto pedale acceleratore | Support for accelerator pedal |
| 4 | 106950 | 1 | Gommino copripedale | Pedal cover | 34 | 122430 | 1 | Snodo sferico | Ball joint |
| 5 | 101305 | 1 | Molla richiamo pedale | Pedal return spring | 35 | 116527 | 1 | Vite registro | Adjusting screw |
| 6 | 129612 | 1 | Perno | Pin | 36 | 16102311 | 1 | Dado | Nut |
| 7 | 13543421 | 4 | Prigioniero | Stud | 37 | 16043221 | 2 | Vite | Screw |
| 8 | 13516821 | 2 | Prigioniero | Stud | 38 | 127496 | 2 | Rondella | Washer |
| 9 | 133555 | 1 | Interruttore luci arresto | Stop light switch | 39 | 10519601 | 2 | Rondella | Washer |
| 10 | 10007871 | 1 | Forcellino | Fork | 40 | 116528 | 1 | Supporto | Support |
| 11 | 16102311 | 1 | Controdado | Lock nut | 41 | 122430 | 1 | Snodo sferico | Ball joint |
| 12 | 130926 | 1 | Vite | Screw | 42 | 15896211 | 2 | Dado | Nut |
| 13 | 16104411 | 1 | Dado autobloccante | Selflocking nut | 43 | 12643701 | 2 | Rondella | Washer |
| 14 | 129699 | 1 | Centralina idraulica | Idraulic control unit | 44 | 127494 | 2 | Rondella | Washer |
| 15 | 16104111 | 4 | Dado autobloccante | Selflocking nut | 45 | 132206 | 1 | Leva | Lever |
| 16 | 12601371 | 4 | Rondella | Washer | 46 | 132212 | 1 | Boccola | Bush |
| 17 | 136376 | 1 | Tubo | Pipe | 47 | 16100811 | 1 | Dado | Nut |
| 18 | 12179190 | 2 | Fascetta | Clamp | 48 | 10519601 | 1 | Rondella | Washer |
| 19 | 131324 | 1 | Pompa comando freni | Master cylinder | 49 | 127496 | 1 | Rondella | Washer |
| 20 | 131320 | 1 | Staffa | Bracket | 50 | 116529 | 1 | Distanziale | Spacer |
| 21 | 124801 | 2 | Distanziale | Spacer | 51 | 105929 | 1 | Rondella di rasamento sp. mm. 0,3 | Shim, 0,3 mm. |
| 22 | 16100811 | 2 | Dado | Nut | - | 105930 | 1 | Idem sp. mm. 0,5 | Ditto, thickness 0,5 mm. |
| 23 | 127469 | 2 | Rondella | Washer | - | 105931 | 1 | Idem sp. mm. 0,7 | Ditto, thickness 0,7 mm. |
| 24 | 129636 | 1 | Vite | Screw | 52 | 11066076 | 1 | Anello seeger | Seeger ring |
| 25 | 12574211 | 1 | Dado autobloccante | Selflocking nut | 53 | 133750 | 1 | Cavo comando acceleratore | Control cable for accelerator |
| 26 | 121558 | 1 | Rondella di rasamento | Shim | 54 | 132290 | 1 | Forcella | Fork |
| 27 | 130861 | 1 | Rondella | Washer | 55 | 132291 | 1 | Perno con molletta | Pin with clamp |
| 28 | 131872 | 1 | Tubo flessibile | Hose | 56 | 10725011 | 1 | Controdado | Lock nut |
| 29 | 131873 | 2 | Bocchettone | Union | 57 | 136192 | 1 | Tubo | Pipe |
| 30 | 131874 | 4 | Anello di tenuta | Sealing ring | | | | | |



3MONDIAL
3.2

SCocca ELEMENTI ESTERNI
BODY SHELL - OUTER ELEMENTS

TAV. 101
DATA: OTTOBRE 87

50524

TAVOLA 101

| Rif. | Dis. No. Part No. | Q.ty | DENOMINAZIONE | DESCRIPTION | Rif. | Dis. No. Part No. | Q.ty | DENOMINAZIONE | DESCRIPTION |
|------|----------------------|------|--|---|------|----------------------|------|--|--------------------------------------|
| 1 | 60738900 | 1 | Modanatura Dx. | R.H. moulding | - | 61840100 | 1 | (2B) Rivestimento post. completo | (2B) Rear panel complete |
| 2 | 60921500 | 1 | (1) Interno montante Dx. | (1) Inner R.H. pillar | - | 62378200* | 1 | No per USA - SA - C7 - C8 | Not for US - SA - C7 - C8 |
| - | 60921400 | 1 | (1) Interno montante Sx. | (1) Inner L.H. pillar | - | 61783900 | 1 | (2A) Rivestimento post. completo | (2A) Rear panel complete |
| - | 60922000 | 1 | Interno montante Dx. - TA | Inner R.H. pillar - TA | - | - | - | No per USA - SA - C7 - C8 | Not for US - SA - C7 - C8 |
| - | 60921900 | 1 | Interno montante Sx. - TA | Inner L.H. pillar - TA | - | 62378300* | 1 | (2B) Rivestimento post. completo - USA | (2B) Rear panel complete - US |
| 3 | 61088400 | 1 | (1B) Sottoparabrezza - GS | (1B) Under windshield - LHD | - | 61961000 | 1 | (2A) Rivestimento post. completo - USA | (2A) Rear panel complete - US |
| - | 61121900 | 1 | (1B) Sottoparabrezza - GD | (1B) Under windshield - RHD | - | 62435300 | 1 | (2B) Rivestimento post. completo - SA - C7 | (2B) Rear panel complete - SA - C7 |
| - | 61993900 | 1 | (1A) Sottoparabrezza - GS | (1A) Under windshield - LHD | - | 15925601 | 7 | (2) Rivestimento post. completo - C8 | (2) Rear panel complete C8 |
| - | 62333300 | 1 | (1A) Sottoparabrezza - GD | (1A) Under windshield - RHD | 24 | 61214300 | 1 | Vite autofilettante | Screw |
| - | 61145900 | 1 | (B) Sottoparabrezza - TA - GS | (B) Under windshield - TA - LHD | 25 | 61214300 | 1 | (2) Rinforzo Dx | (2) R.H. reinforcement |
| - | 61178400 | 1 | (B) Sottoparabrezza - TA - GD | (B) Under windshield - TA - RHD | - | 61214400 | 1 | (2) Rinforzo Sx. | (2) L.H. reinforcement |
| - | 62331800 | 1 | (A) Sottoparabrezza - TA - GS | (A) Under windshield - TA - LHD | 26 | 60603200 | 1 | Rinforzo Dx. | R.H. reinforcement |
| - | 62421200 | 1 | (A) Sottoparabrezza - TA - GD | (A) Under windshield - TA - RHD | - | 60603300 | 1 | No per USA - AUS - SA - C7 - C8 | Not for US - AUS - SA - C7 - C8 |
| 4 | 60545400 | 1 | (1) Padiglione | (1) Roof | - | - | - | Rinforzo Sx. | L.H. reinforcement |
| - | 60913800 | 1 | Padiglione - TA | Roof - TA | - | - | - | No per USA - AUS - SA - C7 - C8 | Not for US - AUS - SA - C7 - C8 |
| 5 | 60722300 | 1 | (1B) Esterno pinna Sx. | (1B) Outside L.H. fins | 27 | 61691900 | 1 | Spoiler - No per USA - SA | Spoiler - Not for US - SA |
| - | 62374900* | 1 | (1A) Esterno pinna Sx. | (1A) Outside L.H. fins | - | 61743800 | 1 | Spoiler - USA - SA | Spoiler - US - SA |
| 6 | 20043105 | 2 | Fregio Pininfarina | Pininfarina name | 28 | 61214000 | 1 | (2) Ossatura int. Dx. parabrezza | (2) R.H. windshield pillar covering |
| 7 | 60759400 | 1 | (1) Interno pinna Dx. | (1) Inner R.H. fins | - | 61214100 | 1 | (2) Ossatura int. Sx. parabrezza | (2) L.H. windshield pillar covering |
| 8 | 60780800 | 1 | (1) Pianetto sottolunotto | (1) Read window plane | 29 | 61213600 | 1 | (2) Ossatura parabrezza | (2) Framework windshield |
| 9 | 13835971 | 10 | Vite | Screw | 30 | 61087100 | 1 | (B) Riparo condizionatore GS | (B) Protection air conditioner - LHD |
| 10 | 60324506 | 4 | Molletta | Clip | - | 61121500 | 1 | (B) Riparo condizionatore GD | (B) Protection air conditioner - RHD |
| 11 | 61707700 | 1 | Parafango ant. Dx. - No per USA | Front R.H. fender - Not for US | - | 62331300 | 1 | (A) Riparo condizionatore GS | (A) Protection air conditioner - LHD |
| - | 61743900 | 1 | Parafango ant. Dx. - USA | Front R.H. fender - US | - | 62333800 | 1 | (A) Riparo condizionatore GD | (A) Protection air conditioner - RHD |
| 12 | 60970900 | 1 | Rivestimento anteriore | Front panel | 31 | 61707800 | 1 | Parafango ant. Sx. - No per USA | Front left fender - Not for US |
| 13 | 60842500 | 1 | Staffa gancio di sicurezza USA - SA | Bracket for safety catch US - SA | - | 61744000 | 1 | Parafango ant. Sx. - USA | Front left fender - US |
| 14 | 60644800 | 1 | Supporto serratura cofano ant. | Support for lock | 32 | 13833171 | 8 | Vite | Screw |
| 15 | 61865200 | 2 | Supporto laterale protezione fanali | Exterior support | 33 | 60759500 | 1 | (1) Interno pinna Sx. | (1) Inner for L.H. fins |
| 16 | 61865400 | 1 | Supporto interno Dx. | R.H. inner support | 34 | 60512700 | 1 | (1) Esterno pinna Dx. | (1) Outside for R.H. fins |
| - | 61865500 | 1 | Supporto interno Sx. | L.H. inner support | 35 | 60543100 | 1 | Chiusura ant. Dx. longherone | Front R.H. cover rail |
| 17 | 60888600 | 1 | (1) Paratia Dx. | (1) R.H. panel | - | 60543200 | 1 | Chiusura ant. Sx. longherone | Front L.H. cover rail |
| - | 60888700 | 1 | (1) Paratia Sx. | (1) L.H. panel | 36 | 60543000 | 2 | Rinforzo interno longherone | Rail inner stiffening |
| 18 | 61205900 | 1 | (2) Sostegno Dx. capote | (2) R.H. mounting for top | 37 | 60512300 | 1 | Rivestimento sottoporta Dx. | Panel for R.H. underdoor |
| - | 61206000 | 1 | (2) Sostegno Sx. capote | (2) L.H. mounting for top | - | 60512400 | 1 | Rivestimento sottoporta Sx. | Panel for L.H. underdoor |
| 19 | 61840200 | 1 | (2) Parafango post. Dx. - No per USA - SA - C7 - C8 | (2) Rear R.H. fender Not for US - SA - C7 - C8 | 38 | 60583900 | 1 | (1) Montante Sx. parabrezza | (1) L.H. pillar for windshield |
| - | 61784000 | 1 | (2) Parafango post. Dx. - USA | (2) Rear R.H. fender - US | 39 | 60739000 | 1 | Modanatura Sx. | L.H. moulding |
| - | 61961100 | 1 | (2) Parafango post. Dx. - SA - C7 | (2) Rear R.H. fender - SA - C7 | 40 | 61865000 | 1 | Rivestimento sede targa | Panel for plate housing |
| - | 62436700 | 1 | (2) Parafango post. Dx. C8 | (2) Rear R.H. fender C8 | 41 | 60721700 | 1 | Staffa per elettromagnete | Bracket |
| - | 61840300 | 1 | (2B) Parafango post. Sx. - No per USA | (2B) Rear L.H. fender - Not for US | 42 | 60583800 | 1 | (1) Montante Dx. parabrezza | (1) R.H. pillar for windshield |
| - | 61784100 | 1 | (2B) Parafango post. Sx. - USA | (2B) Rear L.H. fender - US | 43 | 61697300 | 1 | (1) Parafango Dx. post. | (1) Rear R.H. fender |
| - | 62375700* | 1 | (2A) Parafango post. Sx. - No per USA | (2A) Rear L.H. fender - Not for US | - | - | - | No per USA - SA - AUS - C7 - C8 | Not for US - SA - AUS - C7 - C8 |
| - | 62376100* | 1 | (2A) Parafango post. Sx. - USA | (2A) Rear L.H. fender - US | - | 61728800 | 1 | (1) Parafango Dx. post. - USA | (1) Rear R.H. fender - US |
| 20 | 13833271 | 4 | Vite | Screw | - | 61959800 | 1 | (1) Parafango Dx. post. - SA - AUS - C7 | (1) Rear R.H. fender - SA - AUS - C7 |
| 21 | 61251500 | 1 | (2) Riparto Dx. fiss. capote | (2) R.H. insert for top fastening | - | 62435400 | 1 | (1) Parafango Dx. post. C8 | (1) Rear R.H. fender C8 |
| - | 61251600 | 1 | (2) Riparto Sx. fiss. capote | (2) L.H. insert for top fastening | - | 61697400 | 1 | (1) Parafango Sx. post. - No per USA | (1) Rear L.H. fender - Not for US |
| 22 | 61865600 | 1 | Rinforzo sede targa | Strut for plate housing | - | 61728900 | 1 | (1) Parafango Sx. post. USA | (1) Rear L.H. fender - US |
| 23 | 61697200 | 1 | (1) Rivestimento post. completo | (1) Rear panel complete | 44 | 61697800 | 1 | Rivestimento sede paraurti post. | Panel for rear bumper seat |
| - | 61728700 | 1 | No per USA - SA - AUS - C7 - C8 | Not for US - SA - AUS - C7 - C8 | - | - | - | No per USA - AUS - C7 - C8 - SA | Not for US - AUS - C7 - C8 - SA |
| - | 61959900 | 1 | Rivestimento post. completo - USA | (1) Rear panel complete - US | 45 | 60542800 | 1 | Ossatura Dx. | R.H. framework |
| - | 62435300 | 1 | (1) Rivestimento post. completo - SA - AUS - C7 | (1) Rear panel complete - SA - AUS - C7 | - | 60542900 | 1 | Ossatura Sx. | L.H. framework |
| - | - | 1 | (1) Rivestimento post. completo - C8 | (1) Rear panel complete - C8 | - | - | - | - | - |

* Può essere usato anche su vetture senza ABS
* Can be installed on cars without anti-skid

N.B. Il sottoparabrezza tipo ABS può sostituire il tipo senza ABS se si cambia anche il motore tergicristallo.
N.B. The under windshield for cars with Anti-skid can be installed on cars without Anti-skid by replacing also the wiper motor.

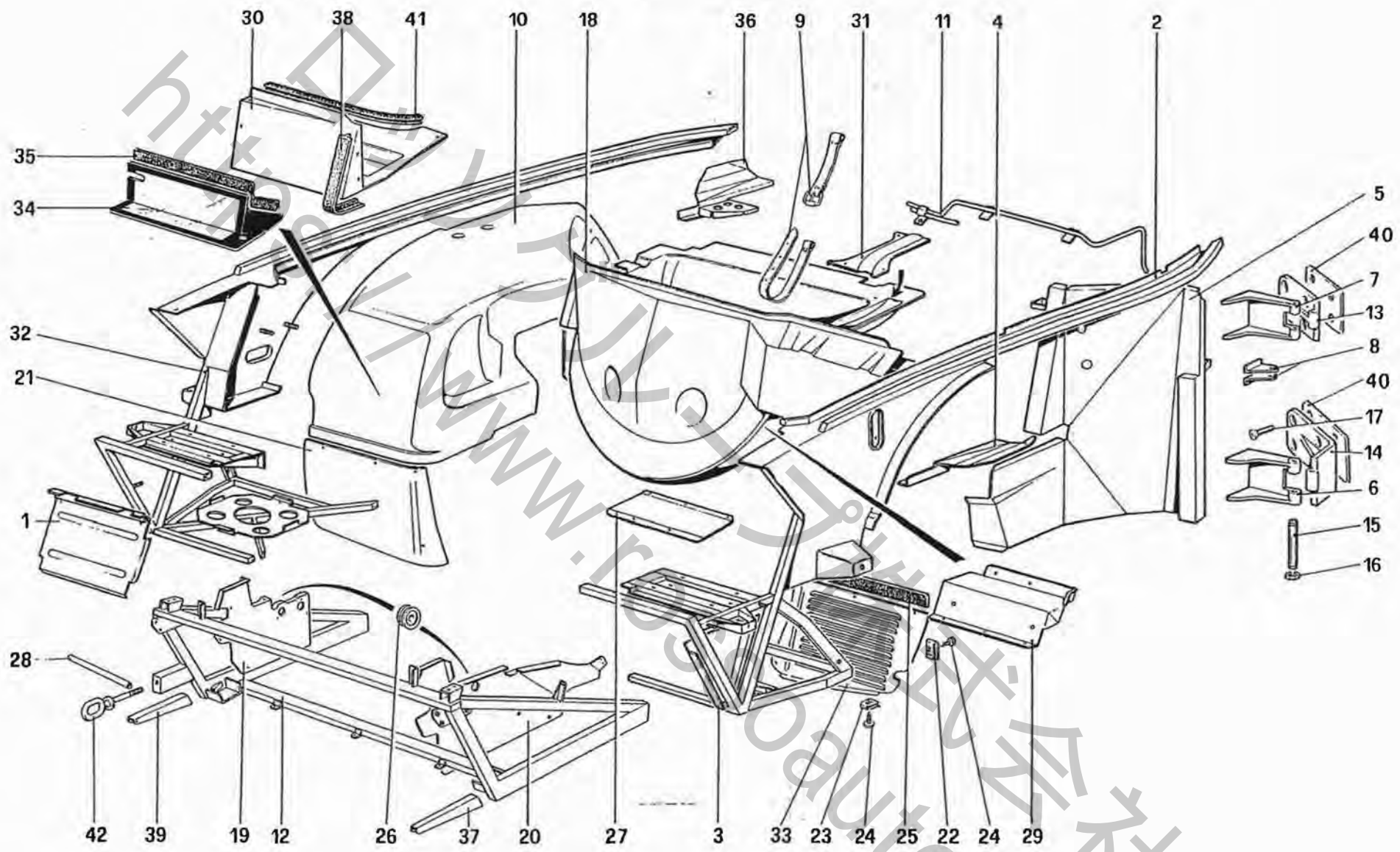
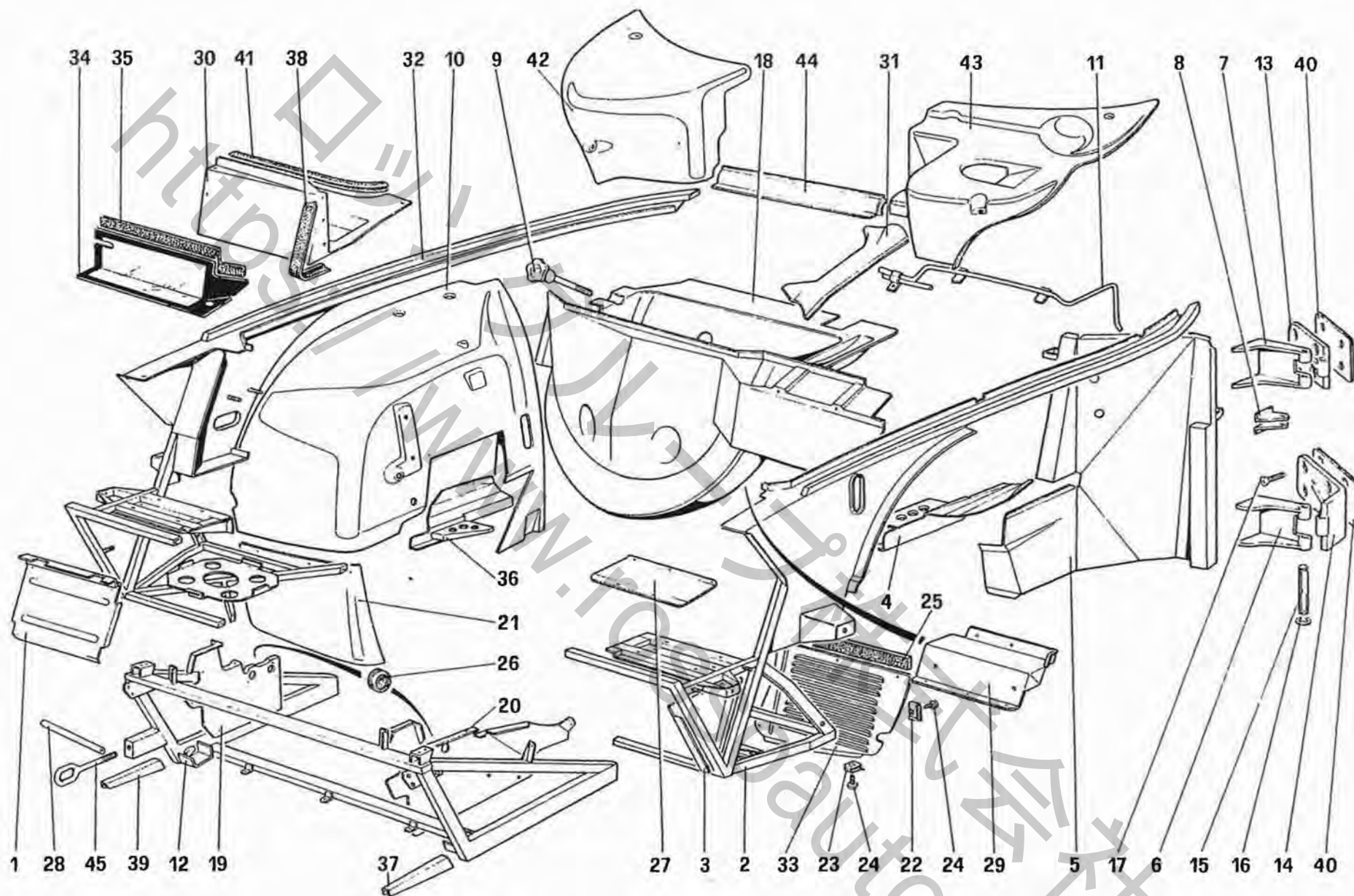


TAVOLA 102

| Rif. | Dis. No. Part No. | Q.ty | DENOMINAZIONE | DESCRIPTION |
|------|----------------------|------|---|---|
| 1 | 60640400 | 1 | Riparo batteria - No per USA - SA | Protection for battery - Not for US - SA |
| - | 60837300 | 1 | Riparo batteria - USA - SA | Protection for battery - US - SA |
| 2 | 61698700 | 1 | Traliccio ant. Sx. | Front L.H. panel work |
| 3 | 61698300 | 1 | Paratia Sx. condensatore A.C. | L.H. shieldpanel for A.C. condenser |
| 4 | 60902500 | 1 | Lamiera fiss. passaruota Sx. - GS | Plate for L.H. wheelhouse - LHD |
| - | 60903400 | 1 | Lamiera fiss. passaruota Sx. - GD | Plate for L.H. wheelhouse - RHD |
| 5 | 120459 | 1 | Riparo ant. Dx. abitacolo - GS | Front R.H. shield - LHD |
| - | 120465 | 1 | Riparo ant. Dx. abitacolo - GD | Front R.H. shield - RHD |
| - | 116646 | 1 | Riparo ant. Sx. abitacolo - GS | Front L.H. shield - LHD |
| - | 120468 | 1 | Riparo ant. Sx. abitacolo - GD | Front L.H. shield - RHD |
| 6 | 60547300 | 2 | (1) Cerniera fissa inf. porta | (1) Lower hinge for door |
| - | 61340800 | 1 | (2) Cerniera fissa Dx. inf. porta | (2) Lower for R.H. door |
| - | 61212800 | 1 | (2) Cerniera fissa Sx. inf. porta | (2) Lower hinge for L.H. door |
| 7 | 60547000 | 2 | Cerniera fissa superiore porta | Upper hinge for door |
| 8 | 60549100 | 4 | Staffa fiss. arresto porta | Bracket |
| 9 | 60717300 | 1 | Cinghia fiss. ruota di scorta - No per USA - SA | Belt - Not for US - SA |
| 10 | 60615700 | 1 | Passaruota ant. Dx. | Wheelhouse, front R.H. |
| - | 60615800 | 1 | Passaruota ant. Sx. | Wheelhouse, front L.H. |
| 11 | 60787400 | 1 | Tubi portacavo cofano ant. - GS | Cable duct for front bonnet - LHD |
| - | 60896500 | 1 | Tubi portacavo cofano ant. - GD | Cable duct for front bonnet - RHD |
| 12 | 126459 | 1 | Telaio anteriore - No per USA - SA - AUS | Front frame - Not for US - SA - AUS |
| - | 126630 | 1 | Telaio anteriore - USA - SA | Front frame - US - SA |
| - | 128012 | 1 | Telaio anteriore - AUS | Front frame - AUS |
| 13 | 60547200 | 2 | Cerniera mobile superiore porta | Upper mobile hinge for door |
| 14 | 60547500 | 2 | Cerniera mobile inferiore porta | Lower mobile hinge for door |
| 15 | 60547600 | 4 | Perno cerniere porta | Pin for door hinge |
| 16 | 16160976 | 8 | Seeger | Seeger ring |
| 17 | 60127206 | 16 | Vite | Screw |
| 18 | 61108500 | 1 | Portaruota di scorta - No per GD - USA - SA | Spare wheel carrier - Not for RHD - US - SA |
| - | 61030200 | 1 | Portaruota di scorta - USA - SA | Spare wheel carrier - US - SA |
| - | 61834800 | 1 | Portaruota di scorta - GD | Spare wheel carrier - RHD |

| Rif. | Dis. No. Part No | Q.ty | DENOMINAZIONE | DESCRIPTION |
|------|---------------------|------|--|--|
| 19 | 61290400 | 1 | Paratia Dx. radiatore | R.H. shieldpanel for radiator |
| - | 61963900 | - | Paratia Dx. radiatore Solo SA - USA - Dal 10-3-86 | R.H. shieldpanel for radiator SA - US only - From 10-3-86 |
| 20 | 60665800 | 1 | Paratia Sx. radiatore | L.H. shieldpanel for radiator |
| - | 61936800 | 1 | Paratia Sx. radiatore Solo USA - SA - Dal 10-3-86 | L.H. shieldpanel for radiator US - SA only - From 10-3-86 |
| 21 | 61732200 | 6 | Parasassi ant. Dx. | R.H. front gravel guard |
| 22 | 60696300 | 6 | Molletta superiore | Upper clip |
| 23 | 60646900 | 12 | Molletta inferiore | Lower clip |
| 24 | 15644101 | 2 | Vite | Screw |
| 25 | 60696500 | 2 | Guarnizione | Gasket |
| 26 | 10396480 | 1 | Passalito | Fair - laid |
| 27 | 60643300 | 1 | Riparo superiore condensatore | Upper shieldpanel for A.C. condenser |
| 28 | 61894500 | 1 | Rinforzo staffa fiss. gancio di traino | Reinforcement |
| 29 | 60643500 | 1 | Riparo superiore post. condensatore | Upper rear panel for A.C. condenser |
| 30 | 60948500 | 1 | Riparo ant. contenitore tergi | Front shieldpanel for water bag |
| 31 | 60741500 | 1 | Riparo cavi su portaruota | Cable shieldpanel on wheel carrier |
| 32 | 61698600 | 1 | Traliccio ant. Dx. completo | Front R.H. panel work |
| 33 | 61732300 | 1 | Parasassi ant. Sx. | Gravel, guard front L.H |
| 34 | 60641500 | 1 | Sportello ispezione batteria | Lid for battery inspection |
| 35 | 60641600 | 1 | Guarnizione | Gasket |
| 36 | 61088800 | 1 | Lamiera fiss. passaruota ant. Dx. | Plate for front R.H. wheelhouse |
| 37 | 124975 | 1 | Staffa Sx. - No per USA - SA | L.H. bracket - Not for US - SA |
| - | 126614 | 1 | Staffa Sx. - USA - SA | L.H. bracket - US - SA |
| 38 | 60920500 | 1 | Guarnizione | Gasket |
| 39 | 124974 | 1 | Staffa Dx. - No per USA - SA | R.H. bracket - Not for US - SA |
| - | 126614 | 1 | Staffa Dx. - USA - SA | R.H. bracket - US - SA |
| 40 | 60732000 | 1 | Zincofil | Zincofil |
| 41 | 60920200 | 1 | Guarnizione | Gasket |
| 42 | 60871100 | 1 | Golfare - USA - SA | Eyebolt - US - SA |



3MONDIAL
2

SCocca ELEMENTI INTERNI (VETTURE CON ANTISKID)

BODY SHELL - INNER ELEMENTS (CARS WITH ANTISKID SYSTEM)

TAV. 103

DATA: OTTOBRE 87

TAVOLA 103

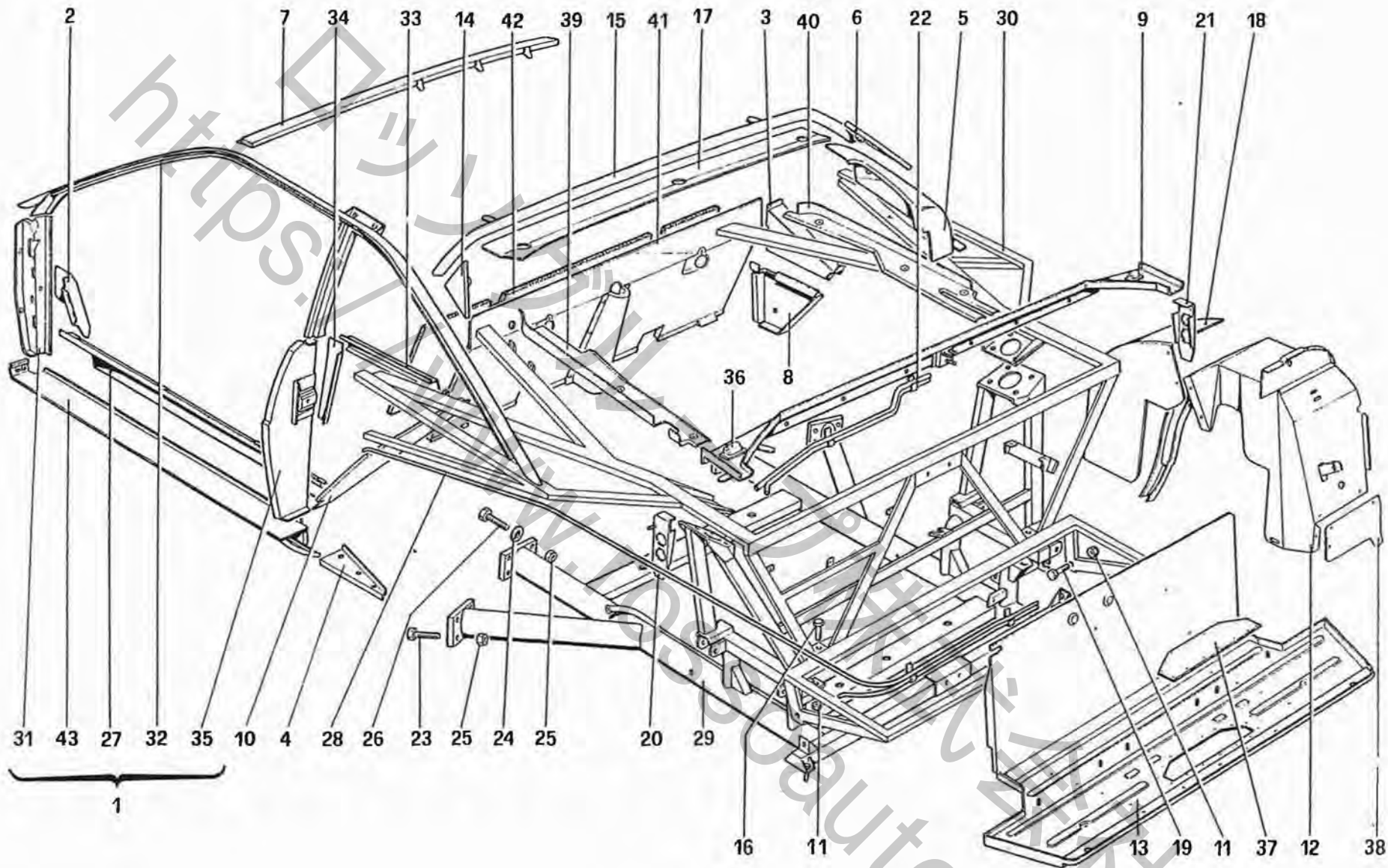
| Rif. | Dis. No. Part No. | Q.ty | DENOMINAZIONE | DESCRIPTION |
|------|----------------------|------|---|---|
| 1 | 60640400 | 1 | Riparo batteria - No per USA - SA | Protection for battery - Not for US - SA |
| - | 60837300 | 1 | Riparo batteria - USA - SA | Protection for battery - US - SA |
| 2 | 61698700 | 1 | Traliccio ant. Sx. | Front L.H. panel work |
| 3 | 61698300 | 1 | Paratia Sx. condensatore A.C. | L.H. shieldpanel for A.C. condenser |
| 4 | 60903400 | 1 | Supporto passaruota Sx. - GD | Support L.H. wheelhouse - RHD |
| - | 62401800 | 1 | Supporto passaruota Sx. - GS | Support L.H. wheelhouse - LHD |
| 5 | 120459 | 1 | Riparo ant. Dx. abitacolo - GS | Front R.H. shield - LHD |
| - | 120465 | 1 | Riparo ant. Dx. abitacolo - GD | Front R.H. shield - RHD |
| - | 116646 | 1 | Riparo ant. Sx. abitacolo - GS | Front L.H. shield - LHD |
| - | 120468 | 1 | Riparo ant. Sx. abitacolo - GD | Front L.H. shield - RHD |
| 6 | 60547300 | 2 | (1) Cerniera fissa inf. porta | (1) Lower hinge for door |
| - | 61340800 | 1 | (2) Cerniera fissa Dx. inf. porta | (2) Lower hinge for R.H. door |
| - | 61212800 | 1 | (2) Cerniera fissa Sx. inf. porta | (2) Lower hinge for L.H. door |
| 7 | 60547000 | 2 | Cerniera fissa superiore porta | Upper hinge for door |
| 8 | 60549100 | 4 | Staffa fiss. arresto porta | Bracket |
| 9 | 61609400 | 1 | Perno fiss. ruota | Pin |
| 10 | 61994100 | 1 | Passaruota ant. Dx. | Front R.H. wheelhouse |
| - | 61994200 | 1 | Passaruota ant. Sx. | Front L.H. wheelhouse |
| 11 | 60787400 | 1 | Tubi portacavo cofano ant. - GS | Cable duct for front bonnet - LHD |
| - | 60896500 | 1 | Tubi portacavo cofano ant. - GD | Cable duct for front bonnet - RHD |
| 12 | 126459 | 1 | Telaio ant. - No per USA - SA - GD | Front frame - Not for US - SA - RHD |
| - | 126630 | 1 | Telaio ant. - USA - SA | Front frame - US - SA |
| - | 128012 | 1 | Telaio ant. - GD | Front frame - RHD |
| 13 | 60547200 | 2 | Cerniera mobile superiore porta | Upper mobile hinge for door |
| 14 | 60547500 | 2 | Cerniera mobile inferiore porta | Lower mobile hinge for door |
| 15 | 60547600 | 4 | Perno cerniere porta | Pin for door hinge |
| 16 | 16160976 | 8 | Seeger | Seeger ring |
| 17 | 60127206 | 16 | Vite | Screw |
| 18 | 62331900 | 1 | Portaruota di scorta - GS | Spare wheel carrier - LHD |
| - | 62381100 | 1 | Portaruota di scorta - GD | Spare wheel carrier - RHD |
| 19 | 61290400 | 1 | Paratia Dx. radiatore - No per USA - SA | R.H. shieldpanel for radiator - Not for US - SA |
| - | 61963900 | 1 | Paratia Dx. radiatore - USA - SA | R.H. shieldpanel for radiator - US - SA |
| 20 | 60665800 | 1 | Paratia Sx. radiatore - No per USA - SA | L.H. shieldpanel for radiator Not for US - SA |

(1) Solo per Coupé

) - Seulement pour Coupé - (1) - For Coupé only - (2) - Solo per Cabriolet

(2) - Seulement pour Cabriolet - (2) - For Cabriolet only

| Rif. | Dis. No. Part No. | Q.ty | DENOMINAZIONE | DESCRIPTION |
|------|----------------------|------|---|---|
| - | 61936800 | 1 | Paratia Sx. radiatore - USA - SA | L.H. shieldpanel for radiator - US - SA |
| 21 | 61732200 | 1 | Parasassi ant. Dx. | R.H. front gravel guard |
| 22 | 60696300 | 6 | Molletta superiore | Upper clip |
| 23 | 60646900 | 6 | Molletta inferiore | Lower clip |
| 24 | 15644101 | 12 | Vite | Screw |
| 25 | 60696500 | 2 | Guarnizione | Gasket |
| 26 | 10396480 | 2 | Passafilo | Fair-laid |
| 27 | 60643300 | 1 | Riparo superiore condensatore | Upper shieldpanel for A.C. condenser |
| 28 | 61894500 | 1 | Rinforzo staffa fiss. gancio di traino | Reinforcement |
| 29 | 60643500 | 1 | Riparo superiore post. condensatore | Upper rear panel for A.C. condenser |
| 30 | 60948500 | 1 | Riparo ant. contenitore tergi | Front shieldpanel for water bag |
| 31 | 61994400 | 1 | Riparo cavi - GS | Protection for cables - LHD |
| - | 62378400 | 1 | Riparo cavi - GD | Protection for cables - RHD |
| 32 | 61698600 | 1 | Traliccio ant. Dx. completo | Front R.H. panel work |
| 33 | 61732300 | 1 | Parasassi ant. Sx. | Gravel guard front L.H. |
| 34 | 60641500 | 1 | Sportello ispezione batteria | Lid for battery inspection |
| 35 | 60641600 | 1 | Guarnizione | Gasket |
| 36 | 61088800 | 1 | Supporto passaruota Dx. - GS | Support R.H. wheelhouse - LHD |
| - | 62401700 | 1 | Supporto passaruota Dx. - GD | Support R.H. wheelhouse - RHD |
| 37 | 124975 | 1 | Staffa Sx. - No per USA - SA | L.H. bracket - Not for US - SA |
| - | 126614 | 1 | Staffa Sx. - USA - SA | L.H. bracket - US - SA |
| 38 | 60920500 | 1 | Guarnizione | Gasket |
| 39 | 124974 | 1 | Staffa Dx. - No per USA - SA | R.H. bracket - Not for US - SA |
| - | 126614 | 1 | Staffa Dx. - USA - SA | R.H. bracket - US - SA |
| 40 | 60732000 | 1 | Zincofil | Zincofil |
| 41 | 60920200 | 1 | Guarnizione | Gasket |
| 42 | 61994000 | 1 | Coperchio centralina antifiskid - GS | Cover - LHD |
| - | 62334400 | 1 | Coperchio centralina antifiskid - GD | Cover - RHD |
| 43 | 62344600 | 1 | Riparo gruppo freno e impianto elettrico GS | Cover - LHD |
| - | 62344700 | 1 | Riparo gruppo freno e impianto elettrico GD | Cover - RHD |
| 44 | 62377500 | 1 | Riparo centrale cavi - GS | Cover - LHD |
| - | 62380400 | 1 | Riparo centrale cavi - GD | Cover - RHD |
| 45 | 128705 | 1 | Gancio di traino | Anchorage |



3.2 MONDIAL

SCocca ELEMENTI INTERNI - 3.2 Mondial Coupé
 BODY SHELL - INNER ELEMENTS - 3.2 Mondial Coupé

TAV. 104
 DATA: OTTOBRE 87

51533

TAVOLA 104

| Rif. | Dis. No. Part No. | Q.ty | DENOMINAZIONE | DESCRIPTION |
|------|----------------------|------|--|--|
| 1 | 60977700 | 1 | Sede porta Dx. e longherina | R.H. door opening with rail |
| - | 60890600 | 1 | Sede porta Dx. e longherina TA | R.H. door opening with rail TA |
| - | 60767300 | 1 | Sede porta Sx. e longherina | L.H. door opening with rail |
| - | | | GS - No per USA - SA | LHD - Not for US - SA |
| - | 60983000 | 1 | Sede porta Sx. e longherina | L.H. door opening with rail |
| - | | | GS - TA - No per USA - SA | LHD - TA - Not for US - SA |
| - | 60890700 | 1 | Sede porta Sx. e longherina - USA - SA | L.H. door opening with rail - US - SA |
| - | 60977800 | 1 | Sede porta Sx. e longherina - GD | L.H. door opening with rail - GD |
| - | 61432100 | 1 | Sede porta Sx. e longherina - GD - TA | L.H. door opening with rail - RHD - TA |
| 2 | 119435 | 1 | Appoggiapiedi - GS | Frontrest - LHD |
| 3 | 60829100 | 1 | Rinforzo Dx. - USA - AUS - SA | R.H. reinforcement - US - AUS - SA |
| - | 60829200 | 1 | Rinforzo Sx. - USA - AUS - SA | L.H. reinforcement - US - AUS - SA |
| 4 | 116013 | 1 | Sostegno fiancata post. Dx. | Support for R.H. rear body side |
| - | 116014 | 1 | Sostegno fiancata post. Sx. | Support for L.H. rear body side |
| 5 | 60951500 | 1 | Rivestimento sopralunotto Dx. | R.H. covering over rear window |
| - | 61030300 | 1 | Rivestimento sopralunotto Dx. T.A. | R.H. covering over rear window T.A. |
| - | 60951600 | 1 | Rivestimento sopralunotto Sx. | L.H. covering over rear window |
| - | 61030400 | 1 | Rivestimento sopralunotto Sx. T.A. | L.H. covering over rear window T.A. |
| 6 | 60781000 | 1 | Supporto cinture post. Dx. | Support for rear R.H. belts |
| - | 60910300 | 1 | Supporto cinture post. Dx. T.A. | Support for rear R.H. belts T.A. |
| 7 | 60723200 | 1 | Centina anteriore | Front rib |
| 8 | 60622100 | 1 | Staffa Dx. arrotolatore ant. | R.H. bracket for front belts retractor |
| - | 60622200 | 1 | Staffa Sx. arrotolatore ant. | L.H. bracket for front belts retractor |
| 9 | 61089000 | 1 | Sostegno guarnizione | Gasket support |
| - | | | No per USA - AUS - SA - C8 | Not for US - AUS - SA - C8 |
| - | 62461400 | 1 | Sostegno guarnizione - C8 | Gasket support - C8 |
| - | 61427200 | 1 | Sostegno guarnizione - USA - AUS - SA | Gasket support - US - AUS - SA |
| 10 | 60695400 | 1 | Rinforzo Dx. parafrangente - No per USA - SA | R.H. stiffening - Not for US - SA |
| - | 60695500 | 1 | Rinforzo Sx. parafrangente - No per USA - SA | L.H. stiffening - Not for US - SA |
| - | 60967800 | 1 | Rinforzo Dx. parafrangente - USA - SA | R.H. stiffening - US - SA |
| - | 60967900 | 1 | Rinforzo Sx. parafrangente - USA - SA | R.H. stiffening - US - SA |
| 11 | 12575811 | 4 | Dado fiss. telaio mobile | Nut |
| 12 | 61732000 | 1 | Passaruota post. Dx. | R.H. rear wheelhouse |
| - | | | No per USA - SA - AUS | Not for US - SA - AUS |
| - | 61794300 | 1 | Passaruota post. Dx. - USA - AUS - SA | R.H. rear wheelhouse - US - AUS - SA |
| - | 61732100 | 1 | Passaruota post. Sx. - No per USA - AUS - SA | L.H. rear wheelhouse - Not for US - AUS - SA |
| - | 61971800 | 1 | Passaruota post. Sx. - AUS | L.H. rear wheelhouse - AUS |
| - | 61738400 | 1 | Passaruota post. Sx. - USA - SA | L.H. rear wheelhouse - US - SA |
| - | 61893600 | 1 | Passaruota post. Sx. - TA | L.H. rear wheelhouse - TA |
| 13 | 61721800 | 1 | Parete baule - No per USA - SA - AUS - C7 | Section bonnet - Not for USA - S - AUS - C7 |
| - | 62349400 | 1 | Parete baule - C7 | Section bonnet - C7 |
| - | 61742700 | 1 | Parete ant. inferiore baule - USA - AUS - SA | Section rear bonnet - US - AUS - SA |
| 14 | 60781100 | 1 | Supporto Sx. cinture post. | L.H. support for rear belts |
| - | 60910400 | 1 | Supporto Sx. cinture post. - TA | L.H. support for rear belts - TA |
| 15 | 61093400 | 1 | Centina post. | Rear rib |
| - | 60828700 | 1 | Centina post. - TA | Rear rib - TA |
| 16 | 11255921 | 2 | Vite | Screw |
| 17 | 60616400 | 1 | Lamiera centina post. | Bottom plate for rear rib |
| - | 61266000 | 1 | Lamiera centina post. - TA | Bottom plate for rear rib - TA |
| 18 | 61158600 | 1 | Lato ant. passaruota post. Dx. - No per C6 | R.H. front section - Not for C6 |
| - | 61265600 | 1 | Lato ant. passaruota post. Dx. - C6 | R.H. front section - C6 |
| - | 61800600 | 1 | Lato ant. passaruota post. Sx. - No per C6 | L.H. front section - Not for C6 |

| Rif. | Dis. No. Part No. | Q.ty | DENOMINAZIONE | DESCRIPTION |
|------|----------------------|------|---|--|
| - | 61980800 | 1 | Lato ant. passaruota post. Sx. - C6 | L.H. front section - C6 |
| 19 | 15977521 | 2 | Vite fiss. telaio mobile | Screw |
| 20 | 60695100 | 1 | Staffa Sx. fiss. passaruota | L.H. bracket |
| 21 | 60697200 | 2 | Staffa Dx. e Sx. fiss. passaruota | L.H. and R.H. bracket |
| 22 | 60787300 | 1 | Tubo portacavo cofano motore | Cable duct for engine bonnet |
| 23 | 15540621 | 8 | Vite | Screw |
| 24 | 12646921 | 8 | Rondella frangiata | Washer |
| 25 | 16105011 | 16 | Dado autobloccante | Selflocking nut |
| 26 | 15540521 | 8 | Vite | Screw |
| 27 | 60602800 | 1 | Rivestimento interno Dx. longherone | Inner R.H. covering of rail |
| - | 61082600 | 1 | Rivestimento interno Sx. longherone | Inner L.H. covering of rail |
| 28 | 61204500 | 1 | Tubi portacavo cofano baule | Cable duct for trunk bonnet |
| 29 | 128021 | 1 | (B) Telaio smontabile - GS | (B) Removable frame - LHD |
| - | | | No per USA - SA - C7 | Not for US - SA - C7 |
| - | 130504 | 1 | (B) Telaio smontabile - AUS | (B) Removable frame - AUS |
| - | 128024 | 1 | (B) Telaio smontabile - USA - SA - C7 | (B) Removable frame - US - SA - C7 |
| - | 128013 | 1 | (B) Telaio smontabile - GD - No per AUS | (B) Removable frame - RHD Not for AUS |
| - | 132568 | 1 | (A) Telaio smontabile - No per C8 | (A) Removable frame - Not for C8 |
| - | 135849 | 1 | Telaio smontabile - C8 | Removable frame - C8 |
| - | 136472 | 1 | (A) Telaio smontabile - AUS | (A) Removable frame - AUS |
| - | 136471 | 1 | (A) Telaio smontabile - GD - No per AUS | (A) Removable frame RHD - Not for AUS |
| - | 136470 | 1 | (A) Telaio smontabile - USA - SA | (A) Removable frame - US - SA |
| 30 | 128022 | 1 | Telaio fisso posteriore | Rear frame |
| - | | | No per AUS - USA - SA - C7 - C8 | Not for AUS - US - SA - C7 - C8 |
| - | 126631 | 1 | Telaio fisso post. - USA - SA - C7 - AUS - C8 | Rear frame - US - SA - C7 - AUS - C8 |
| 31 | 60645400 | 1 | Sede Dx. cerniere porta | R.H. seat for door hinge |
| - | 60645500 | 1 | Sede Sx. cerniere porta - No per USA - SA | L.H. seat for door hinge - Not for US - SA |
| - | 60903500 | 1 | Sede Sx. cerniere porta - USA - SA | L.H. seat for door hinge - US - SA |
| 32 | 60944300 | 1 | Longherina Dx. - GS | R.H. rail - LHD |
| - | 60998500 | 1 | Longherina Dx. - GS - TA | R.H. rail - LHD - TA |
| - | 60932100 | 1 | Longherina Dx. - GD | R.H. rail - RHD |
| - | 60932200 | 1 | Longherina Sx. - GS | L.H. rail - LHD |
| - | 60998600 | 1 | Longherina Sx. - GS - TA | L.H. rail - LHD - TA |
| - | 60945200 | 1 | Longherina Sx. - GD | L.H. rail - RHD |
| 33 | 60921600 | 1 | Rinforzo inf. cristallo post. Sx. | Lower stiffening for rear L.H. window |
| - | 60921700 | 1 | Rinforzo inf. cristallo post. Dx. | Lower stiffening for rear R.H. window |
| 34 | 60658300 | 1 | Angolare rinforzo parafrangente Sx. | Stiffening angle piece for L.H. fender |
| - | 60658400 | 1 | Angolare rinforzo parafrangente Dx. | Stiffening angle piece for R.H. fender |
| 35 | 60621300 | 1 | Montante Dx. parafrangente post. | R.H. post. for rear fender |
| - | 60621400 | 1 | Montante Sx. parafrangente post. | L.H. post. for rear fender |
| 36 | 60523700 | 2 | Cerniera fissa cofano baule | Fixed hinge for rear bonnet |
| 37 | 60810000 | 1 | Coperchio | Cover |
| 38 | 61816100 | 1 | Parasassi post. Sx. | L.H. rear gravel |
| - | 61816200 | 1 | Parasassi post. Dx. | R.H. rear gravel |
| 39 | 61820000 | 1 | Riparo Sx. sul telaio | L.H. cover |
| 40 | 60754500 | 1 | Riparo Dx. sul telaio | R.H. cover |
| 44 | 62433900 | 1 | Copertura Dx. fondo baule - C8 | R.H. cover - C8 |
| 41 | 60841000 | 1 | Paratia abitacolo/motore | Section passenger compartment/engine |
| - | | | USA - SA - C7 - AUS | US - SA - C7 - AUS |
| 42 | 60873100 | 1 | Isolante - USA - SA - C7 - AUS | Insulation - US - SA - C7 - AUS |
| 43 | 60542800 | 1 | Ossatura Dx. | Framework R.H. |
| - | 60542900 | 1 | Ossatura Sx. | Framework L.H. |
| | | | Vedi tav. 101 part. 45 | See table 101 part 45 |

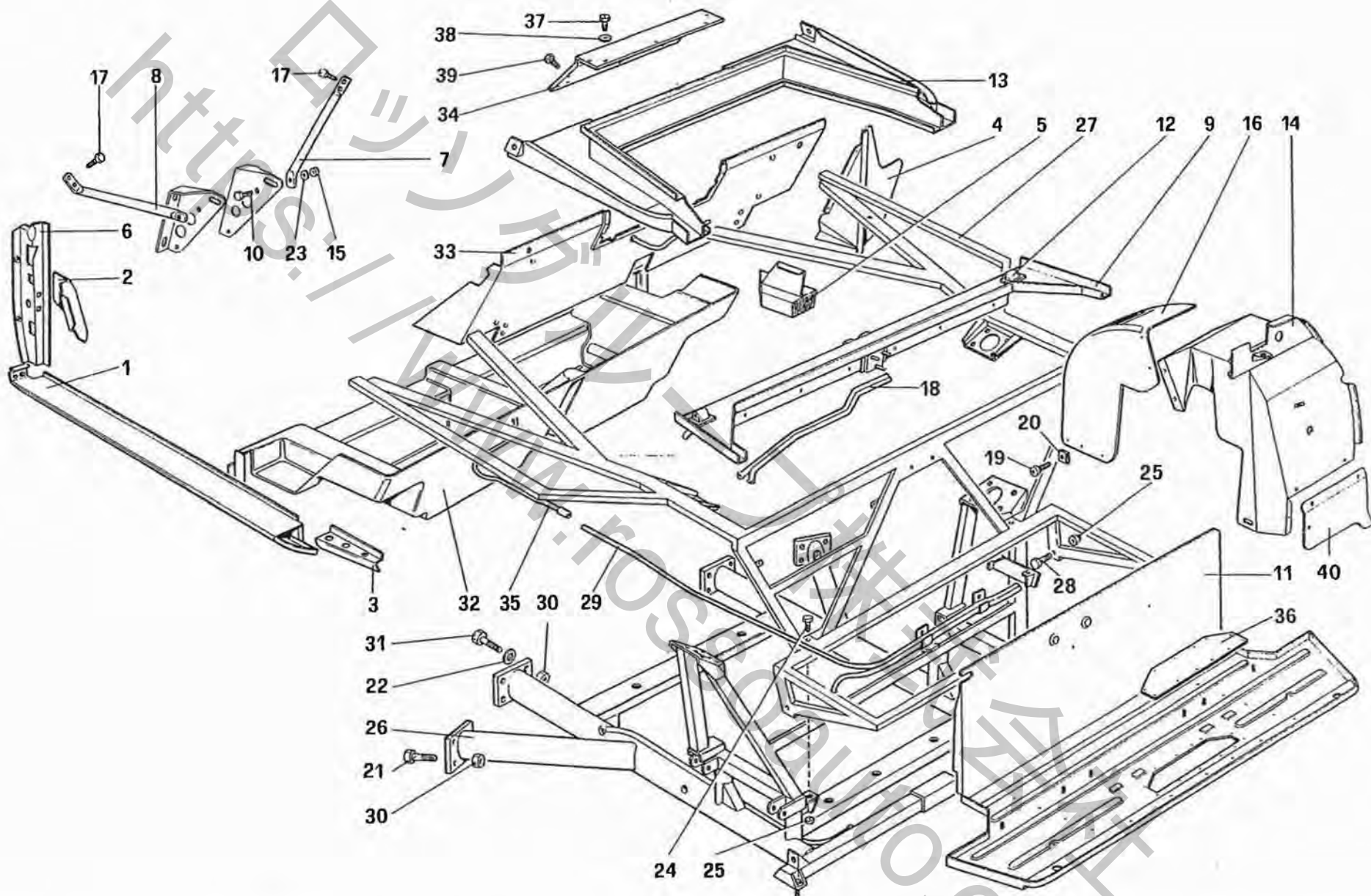
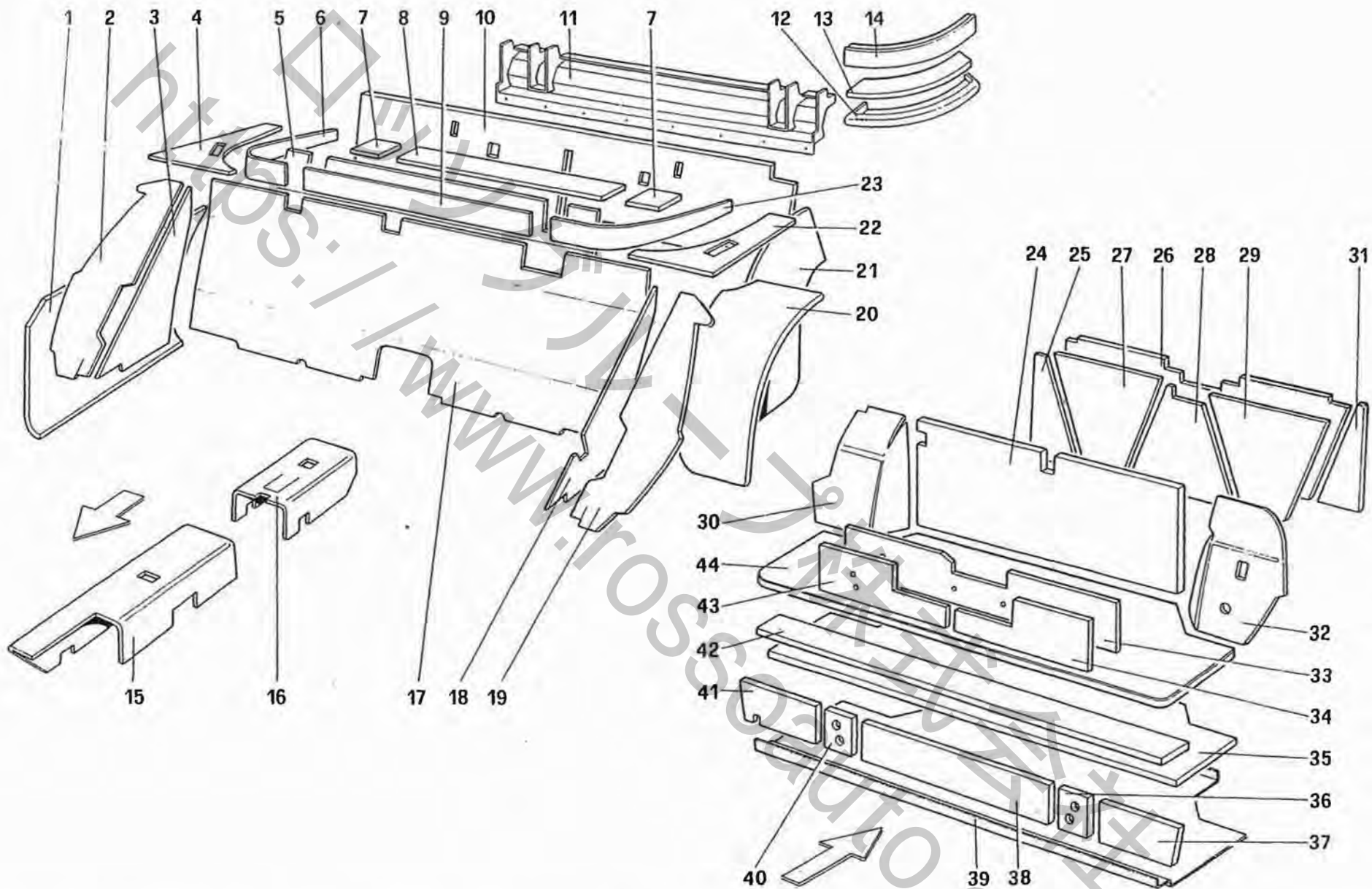


TAVOLA 105

| Rif. | Dis. No. Part No. | Q.ty | DENOMINAZIONE | DESCRIPTION | Rif. | Dis. No. Part No. | Q.ty | DENOMINAZIONE | DESCRIPTION |
|------|----------------------|------|---|---|------|----------------------|------|--|---|
| | 61214800 | 1 | Sede porta Dx. | R.H. door seal | | 61981200 | 1 | Lato ant. passaruota Sx. - C6 | Front section for L.H. wheelhouse - C6 |
| | 61696200 | 1 | Sede porta Sx. - No per USA - SA | L.H. door seat - Not for US - SA | 17 | 15924806 | 4 | Vite autofilettante | Screw |
| | 61214900 | 1 | Sede porta Sx. - USA - SA | L.H. door seat - US - SA | 18 | 61307200 | 1 | Tube portacavi cofano motore | Cable for engine bonnet |
| 1 | 61436100 | 1 | Ossatura Dx. sottoporta | Framework R.H. underdoor | 19 | 15903802 | 18 | Vite fiss. passaruota | Screw |
| | 61436200 | 1 | Ossatura Sx. sottoporta | Framework L.H. underdoor | 20 | 60517200 | 18 | Molleffa fiss. passaruota | Clip |
| 2 | 119435 | 1 | Appoggiapiedi - GS | Footrest - LHD | 21 | 15540621 | 8 | Vite | Screw |
| 3 | 116013 | 1 | Sostegno fiancata post. Dx. | Support for right rear body side | 22 | 12646921 | 8 | Rondella piana | Washer |
| | 116014 | 1 | Sostegno fiancata post. Sx. | Support for left rear body side | 23 | 12639701 | 2 | Rondella | Washer |
| 4 | 61641400 | 1 | Paratia Dx. | Right shieldpanel | 24 | 11255921 | 2 | Vite | Screw |
| | 61641600 | 1 | Paratia Sx. | Left. shieldpanel | 25 | 12575811 | 4 | Dado fiss. telaio | Nut |
| 5 | 61292800 | 1 | Tampone Dx. | Right wood stopper | 26 | 128021 | 1 | (B) Telaio smontabile - GS No per USA - SA - C7 | (B) Removable frame - LHD - Not for US - SA - C7 |
| | 61292900 | 1 | Tampone Sx. | Left wood stopper | | 128024 | 1 | (B) Telaio smontabile - USA - SA - C7 | (B) Removable frame - US - SA - C7 |
| 6 | 60645400 | 1 | Sede Dx. cerniera porta | R.H. seat for door hinge | | 128013 | 1 | (B) Telaio smontabile - GD | (B) Removable frame - RHD |
| | 60645500 | 1 | Sede Sx. cerniera porta - No per USA - SA | L.H. seat for door hinge - Not for US - SA | | 135904 | 1 | (A) Telaio smontabile - No per C8 - GD - USA | (A) Removable frame - Not for C8 - RHD - US |
| | 60903500 | 1 | Sede Sx. cerniera porta - USA - SA | L.H. seat for door hinge - US - SA | | 135849 | 1 | Telaio smontabile - C8 | Removable frame - C8 |
| 7 | 122014 | 1 | Tirante Dx. - GS | R.H. tie rod - LHD | | 136473 | 1 | Telaio smontabile - GD | Removable frame - RHD |
| | 123418 | 1 | Tirante Dx. - GD | R.H. tie rod - RHD | | 136474 | 1 | Telaio smontabile - USA | Removable frame - US |
| 8 | 122015 | 1 | Tirante Sx. - GS fino vett. N. 71879 | L.H. tie rod - LHD until car No. 71879 | | 124351 | 1 | Telaio fisso - GS - No per USA - SA - C7 - C8 | Rear frame - LHD - Not for US - SA - C7 - C8 |
| | 133059 | 1 | Tirante Sx. - GS dalla vett. N. 71881 | L.H. tie rod - LHD from car No. 71881 | | 122866 | 1 | Telaio fisso - USA - SA - C7 - C8 | Rear frame - US - SA - C7 - C8 |
| | 123419 | 1 | Tirante Sx. - GD | L.H. tie rod - RHD | 27 | 15977521 | 2 | Vite | Screw |
| 9 | 61922100 | 1 | Supporto guarnizione - No per USA - SA | Gasket support - Not for US - SA | 28 | 61221100 | 1 | Tubi portacavo - No per USA - SA | Cable duct - Not for US - SA |
| | 61869200 | 1 | Supporto guarnizione - USA - SA | Gasket support - US - SA | | 61436600 | 1 | Tubi portacavo - USA - SA | Cable duct - US - SA |
| 10 | 10902221 | 2 | Vite | Screw | 30 | 16105011 | 16 | Dado autobloccante | Selflocking nut |
| 11 | 61839400 | 1 | Fondo baule - No per USA - C7 - SA - C8 | Bottom plate for trunk - Not for US - C7 - SA | 31 | 15540521 | 8 | Vite | Screw |
| | 61968800 | 1 | Fondo baule - C7 | Bottom plate for trunk - C7 | 32 | 61223200 | 1 | Sede sedili posteriori | Housing for rear seats |
| | 61778900 | 1 | Fondo baule - USA - SA | Bottom plate for trunk - US - SA | 33 | 61327100 | 1 | Paratia motore abitacolo | Shieldpanel between passenger compartment and engine |
| | 62434400 | 1 | Fondo baule - C8 | Bottom plate for trunk - C8 | 34 | 61242300 | 1 | Sportello accesso motore | Cover |
| 12 | 60523700 | 2 | Cerniera fissa cofano post. | Fixed hinge for rear bonnet | 35 | 61344700 | 1 | Tube ant. portacavo cofano baule | Front cable duct for trunk bonnet |
| 13 | 61206400 | 1 | Sede capote | Seat for top | 36 | 60810000 | 1 | Coperchio fondo baule | Cover |
| 14 | 61841000 | 1 | Passaruota post. - No per USA - SA | Right rear wheelhouse - Not for US - SA | 37 | 13277011 | 5 | Vite | Screw |
| | 61779100 | 1 | Passaruota post. Dx. - USA - SA | Right rear wheelhouse - US - SA | 38 | 12643701 | 5 | Rondella | Washer |
| | 61779200 | 1 | Passaruota post. Sx. | Left rear wheelhouse | 39 | 12377111 | 5 | Vite | Screw |
| 15 | 12574211 | 2 | Dado | Nut | 40 | 61816200 | 1 | Parasassi post. Dx. | R.H. rear gravel |
| 16 | 61158600 | 1 | Lato ant. passaruota Dx. - No per C6 | Front section for R.H. wheelhouse Not for C6 | | 61816100 | 1 | Parasassi post. Sx. | L.H. rear gravel |
| | 61265600 | 1 | Lato ant. passaruota Dx. - C6 | Front section for R.H. wheelhouse - C6 | | | | | |
| | 61800600 | 1 | Lato ant. passaruota Sx. - No per C6 | Front section for L.H. wheelhouse Not for C6 | | | | | |

(1) Solo per Coupé (1) - Seulement pour Coupé (1) - For Coupé only (2) - Solo per Cabriolet (2) - Seulement pour Cabriolet (2) - For Cabriolet only



3.2 MONDIAL

ISOLAMENTO BAULE ED ABITACOLO -
 3.2 Mondial Coupé (escluso USA - SA - AUS - CH87 - CH88)

LUGGAGE AND PASSENGER COMPART INSULATION - 3.2 Mondial Coupé
 (USA - SA - AUS - CH87 - CH88 excluded)

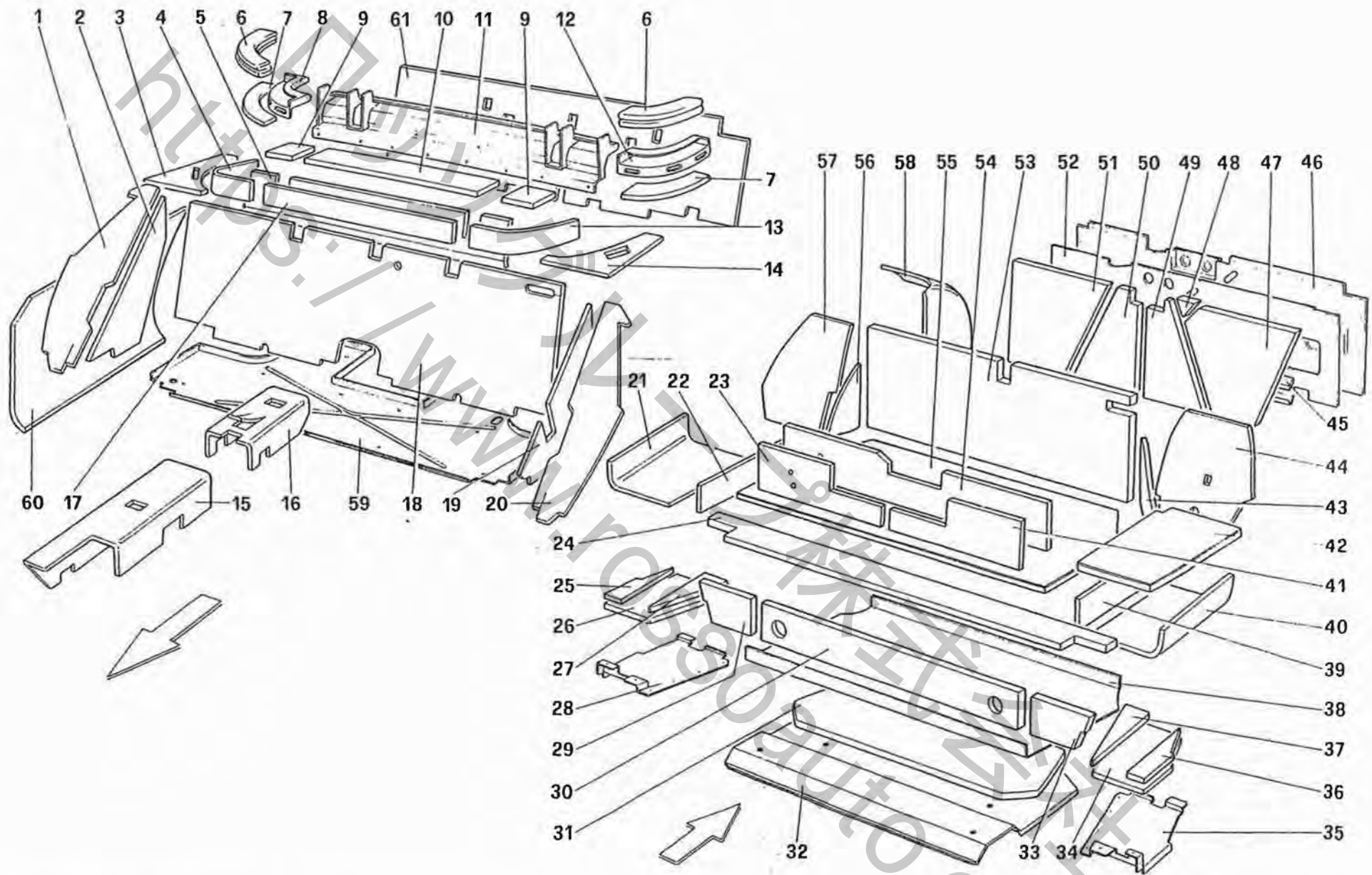
TAV. 106

DATA: OTTOBRE 87

TAVOLA 106

| Rif. | Dis. No. Part No. | Q.ty | DENOMINAZIONE | DESCRIPTION | Rif. | Dis. No. Part No. | Q.ty | DENOMINAZIONE | DESCRIPTION |
|------|----------------------|------|-------------------------------|-------------------------------|------|----------------------|------|------------------------|---------------------------|
| 1 | 61264600 | 1 | Isolante Dx. - Solo C6 | R.H. insulation - C6 only | 21 | 61980700 | 1 | Isolante Sx. - Solo C6 | L.H. insulation - C6 only |
| - | 61264700 | 1 | Isolante Sx. - Solo C6 | L.H. insulation - C6 only | - | 61264500 | 1 | Isolante Dx. - Solo C6 | R.H. insulation - C6 only |
| 2 | 61028200 | 1 | Isolante | Insulation | 22 | 61151300 | 1 | Isolante | Insulation |
| 3 | 61028000 | 1 | Isolante | Insulation | 23 | 61028900 | 1 | Isolante | Insulation |
| 4 | 61151200 | 1 | Isolante | Insulation | 24 | 61820600 | 1 | Isolante | Insulation |
| 5 | 60717200 | 1 | Isolante | Insulation | 25 | 61265100 | 1 | Isolante | Insulation |
| 6 | 61028800 | 1 | Isolante | Insulation | 26 | 61934100 | 1 | Isolante | Insulation |
| 7 | 60994700 | 2 | Isolante | Insulation | 27 | 61934200 | 1 | Isolante | Insulation |
| 8 | 60994800 | 1 | Isolante | Insulation | 28 | 61264800 | 1 | Isolante | Insulation |
| 9 | 61151400 | 1 | Isolante | Insulation | 29 | 61265400 | 1 | Isolante | Insulation |
| 10 | 61264900 | 1 | Isolante - Solo C6 | Insulation - C6 only | 30 | 61821000 | 1 | Isolante | Insulation |
| 11 | 60994400 | 1 | Contenitore isolante | Container for insulation | 31 | 61265000 | 1 | Isolante | Insulation |
| 12 | 60994500 | 1 | Contenitore Dx. isolante | R.H. container for insulation | 32 | 61820900 | 1 | Isolante | Insulation |
| - | 60994600 | 1 | Contenitore Sx. isolante | L.H. container for insulation | 33 | 61820800 | 1 | Isolante | Insulation |
| 13 | 60995000 | 2 | Isolante | Insulation | 34 | 61821400 | 1 | Isolante | Insulation |
| 14 | 60994900 | 2 | Isolante | Insulation | 35 | 61820500 | 1 | Isolante | Insulation |
| 15 | 61077600 | 1 | Isolante ant. tunnel GS | Front insulation tunnel LHD | 36 | 61821600 | 1 | Isolante | Insulation |
| - | 61127800 | 1 | Isolante ant. tunnel GD | Front insulation tunnel RHD | 37 | 61821100 | 1 | Isolante | Insulation |
| 16 | 61077700 | 1 | Isolante posteriore tunnel GS | Rear insulation tunnel LHD | 38 | 61820700 | 1 | Isolante | Insulation |
| - | 61127900 | 1 | Isolante posteriore tunnel GD | Rear insulation tunnel RHD | 39 | 61875100 | 1 | Isolante | Insulation |
| 17 | 61027800 | 1 | Isolante | Insulation | 40 | 61821700 | 1 | Isolante | Insulation |
| 18 | 61028100 | 1 | Isolante | Insulation | 41 | 61821200 | 1 | Isolante | Insulation |
| 19 | 61028300 | 1 | Isolante | Insulation | 42 | 61821300 | 1 | Isolante | Insulation |
| 20 | 61980600 | 1 | Isolante Sx. - Solo C6 | L.H. insulation - C6 only | 43 | 61821500 | 1 | Isolante | Insulation |
| - | 61264300 | 1 | Isolante Dx. - Solo C6 | R.H. insulation - C6 only | 44 | 61820200 | 1 | Isolante | Insulation |

(1) Solo per Coupé - (1) - Seulement pour Coupé - (1) - For Coupé only - (2) - Solo per Cabriolet - (2) - Seulement pour Cabriolet - (2) - For Cabriolet only



3₂ MONDIAL

ISOLAMENTO BAULE ED ABITACOLO -
 3.2 Mondial Coupé (USA - SA - AUS - CH87 - CH88)

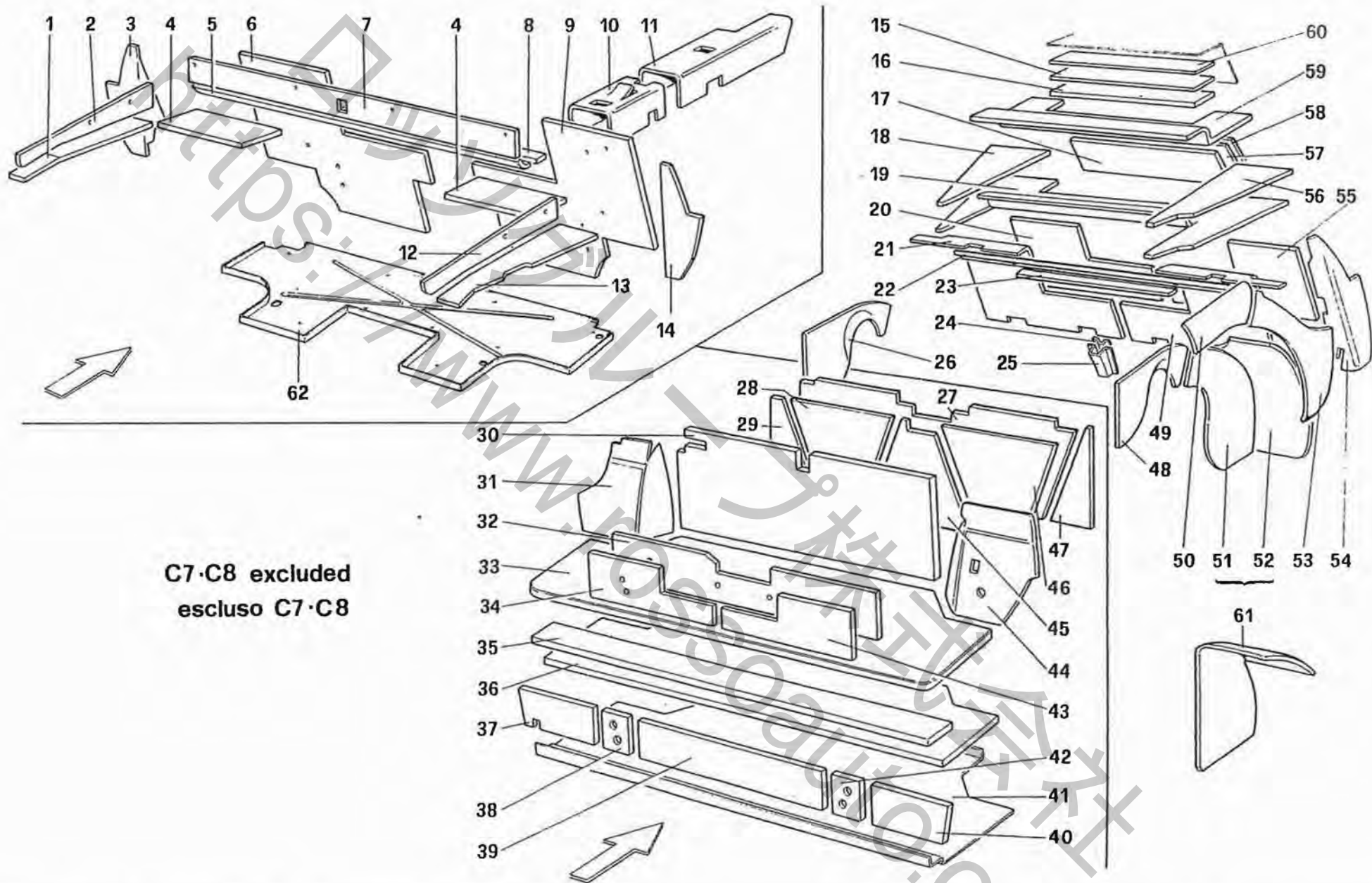
LUGGAGE AND PASSENGER COMPART INSULATION - 3.2 Mondial Coupé
 (USA - SA - AUS - CH87 - CH88)

TAV. 107

DATA: OTTOBRE 87

TAVOLA 107

| Rif. | Dis. No. Part No. | Q.ty | DENOMINAZIONE | DESCRIPTION | Rif. | Dis. No. Part No. | Q.ty | DENOMINAZIONE | DESCRIPTION |
|------|----------------------|------|------------------------------------|---------------------------------------|------|----------------------|------|-------------------------------|-------------------------------|
| 1 | 61028200 | 1 | Isolante | Insulation | 33 | 61846200 | 1 | Isolante | Insulation |
| 2 | 61028000 | 1 | Isolante | Insulation | 34 | 61844800 | 1 | Isolante | Insulation |
| 3 | 61151200 | 1 | Isolante | Insulation | 35 | 61800300 | 1 | Protezione inox Dx. | R.H. inox protection |
| 4 | 61028800 | 1 | Isolante | Insulation | 36 | 61845100 | 1 | Isolante | Insulation |
| 5 | 60717200 | 1 | Isolante | Insulation | 37 | 61844900 | 1 | Isolante | Insulation |
| 6 | 60994900 | 2 | Isolante | Insulation | 38 | 61877300 | 1 | Isolante | Insulation |
| 7 | 60995000 | 2 | Isolante | Insulation | 39 | 61877400 | 1 | Isolante | Insulation |
| 8 | 60994500 | 1 | Supporto Dx. | R.H. support | 40 | 61845900 | 1 | Isolante - No per C8 | Insulation - Not for C8 |
| 9 | 60994700 | 2 | Isolante | Insulation | - | 62436900 | 1 | Isolante - Per C8 | Insulation - For C8 |
| 10 | 60994800 | 1 | Isolante | Insulation | 41 | 61821400 | 1 | Isolante | Insulation |
| 11 | 60994400 | 1 | Supporto | Support | 42 | 61846600 | 1 | Isolante - No per C8 | Insulation - Not for C8 |
| 12 | 60994600 | 1 | Supporto Sx. | L.H. support | 43 | 61846300 | 1 | Isolante | Insulation |
| 13 | 61028900 | 1 | Isolante | Insulation | 44 | 61845400 | 1 | Isolante | Insulation |
| 14 | 61151300 | 1 | Isolante | Insulation | 45 | 61930200 | 1 | Isolante | Insulation |
| 15 | 61077600 | 1 | Isolante ant. tunnel - No per AUS | Front insulation tunnel - Not for AUS | 46 | 61800100 | 1 | Protezione - No per C7 - C8 | Protection - Not for C7 - C8 |
| - | 61127800 | 1 | Isolante ant. tunnel - Per AUS | Front insulation tunnel - For AUS | - | 62433700 | 1 | Protezione - Per C8 | Protection - For C8 |
| 16 | 61077700 | 1 | Isolante post. tunnel - No per AUS | Rear insulation tunnel - Not for AUS | - | 62360000 | 1 | Protezione - Per C7 | Protection - For C7 |
| - | 61127900 | 1 | Isolante post. tunnel - Per AUS | Rear insulation tunnel - For AUS | 47 | 61844300 | 1 | Isolante | Insulation |
| 17 | 61151400 | 1 | Isolante | Insulation | 48 | 61844600 | 1 | Isolante | Insulation |
| 18 | 61027800 | 1 | Isolante - No per AUS | Insulation - Not for AUS | 49 | 61844200 | 1 | Isolante | Insulation |
| - | 61261400 | 1 | Isolante - Per AUS | Insulation - For AUS | 50 | 61844500 | 1 | Isolante | Insulation |
| 19 | 61028100 | 1 | Isolante | Insulation | 51 | 61844400 | 1 | Isolante | Insulation |
| 20 | 61028300 | 1 | Isolante | Insulation | 52 | 61844100 | 1 | Isolante | Insulation |
| 21 | 61846000 | 1 | Isolante | Insulation | 53 | 61845600 | 1 | Isolante | Insulation |
| 22 | 61877500 | 1 | Isolante | Insulation | 54 | 61820800 | 1 | Isolante | Insulation |
| 23 | 61821500 | 1 | Isolante | Insulation | 55 | 61845300 | 1 | Isolante | Insulation |
| 24 | 61821300 | 1 | Isolante | Insulation | 56 | 61846400 | 1 | Isolante | Insulation |
| 25 | 61845200 | 1 | Isolante | Insulation | 57 | 61845500 | 1 | Isolante | Insulation |
| 26 | 61844700 | 1 | Isolante | Insulation | 58 | 62365300 | 1 | Isolante Sx. - Per C7 - C8 | L.H. insulation - For C7 - C8 |
| 27 | 61845000 | 1 | Isolante | Insulation | - | 62365200 | 1 | Isolante Dx. - Per C7 - C8 | R.H. insulation - For C7 - C8 |
| 28 | 61800400 | 1 | Protezione inox Sx. | L.H. inox protection | 59 | 132658 | 1 | Paratia fonoassorbente Per C7 | Insulation panel - For C7 |
| 29 | 61846100 | 1 | Isolante | Insulation | 60 | 61264600 | 1 | Isolante Dx. - Per C7 - C8 | R.H. insulation - For C7 - C8 |
| 30 | 61846500 | 1 | Isolante | Insulation | - | 61264700 | 1 | Isolante Sx. - Per C7 - C8 | L.H. insulation - For C7 - C8 |
| 31 | 61845700 | 1 | Isolante | Insulation | 61 | 61264900 | 1 | Isolante - Per C7 - C8 | Insulation - For C7 - C8 |
| 32 | 128330 | 1 | Protezione inox | Inox protection | | | | | |



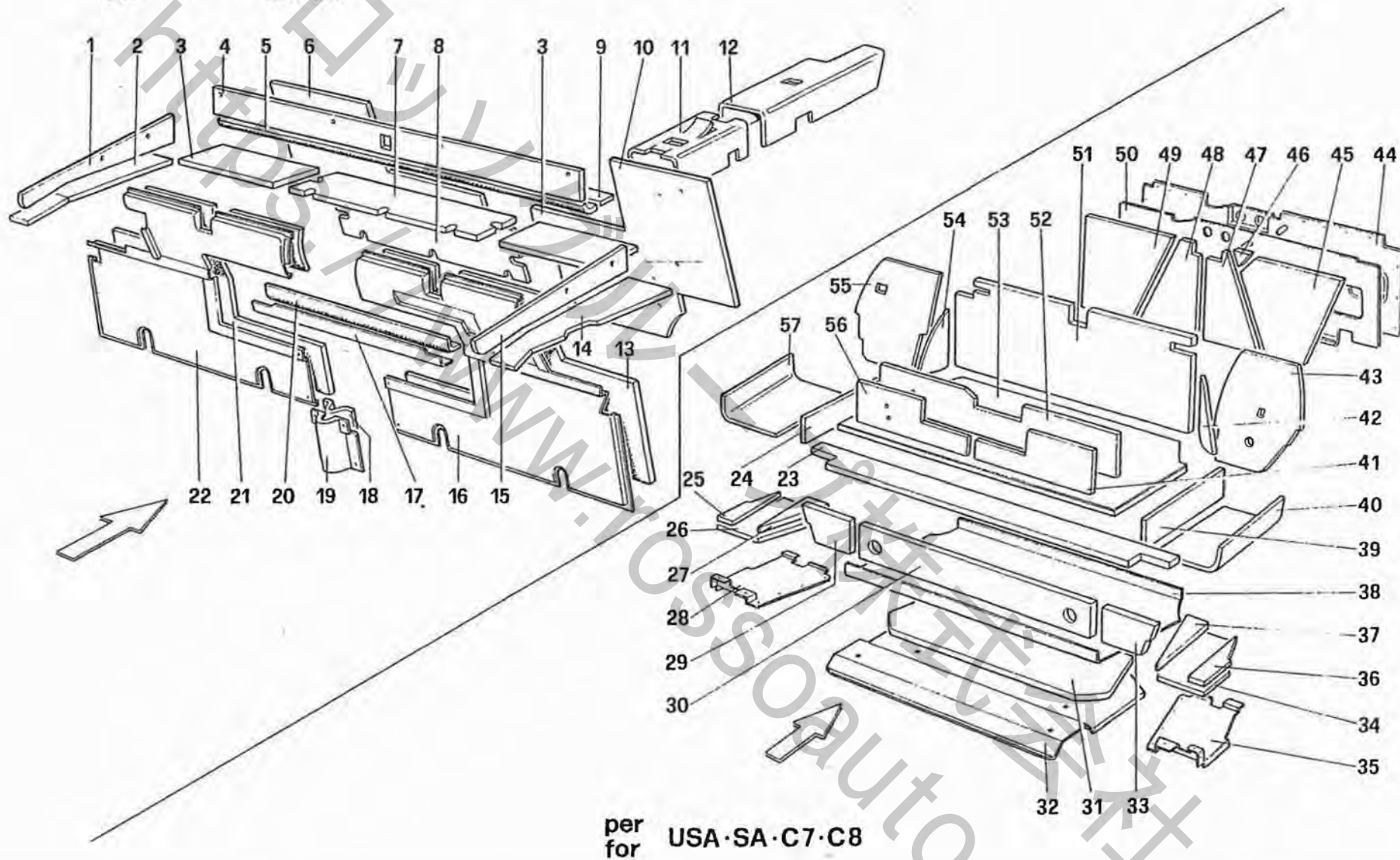
C7-C8 excluded
escluso C7-C8

TAVOLA 108

| Rif. | Dis. No. Part No. | Q.ty | DENOMINAZIONE | DESCRIPTION | Rif. | Dis. No. Part No. | Q.ty | DENOMINAZIONE | DESCRIPTION |
|------|----------------------|------|----------------------------|-------------------------------|------|----------------------|------|-----------------------------|---------------------------|
| 1 | 61347500 | 1 | Isolante | Insulation | 33 | 61820200 | 1 | Isolante | Insulation |
| 2 | 61347100 | 1 | Isolante | Insulation | 34 | 61821500 | 1 | Isolante | Insulation |
| 3 | 61724900 | 1 | Isolante | Insulation | 35 | 61821300 | 1 | Isolante | Insulation |
| 4 | 61346800 | 2 | Isolante | Insulation | 36 | 61820500 | 1 | Isolante | Insulation |
| 5 | 61347300 | 1 | Isolante | Insulation | 37 | 61821200 | 1 | Isolante | Insulation |
| 6 | 61346700 | 1 | Isolante | Insulation | 38 | 61821700 | 1 | Isolante | Insulation |
| 7 | 61347200 | 1 | Isolante | Insulation | 39 | 61820700 | 1 | Isolante | Insulation |
| 8 | 61346900 | 1 | Isolante | Insulation | 40 | 61821100 | 1 | Isolante | Insulation |
| 9 | 61346600 | 1 | Isolante | Insulation | 41 | 61875100 | 1 | Isolante | Insulation |
| 10 | 61077700 | 1 | Isolante post. tunnel - GS | Rear insulation tunnel - LHD | 42 | 61821600 | 1 | Isolante | Insulation |
| - | 61127900 | 1 | Isolante post. tunnel - GD | Rear insulation tunnel - RHD | 43 | 61821400 | 1 | Isolante | Insulation |
| 11 | 61077600 | 1 | Isolante ant. tunnel - GS | Front insulation tunnel - LHD | 44 | 61917700 | 1 | Isolante | Insulation |
| - | 61127800 | 1 | Isolante ant. tunnel - GD | Front insulation tunnel - RHD | 45 | 61264800 | 1 | Isolante | Insulation |
| 12 | 61347000 | 1 | Isolante | Insulation | 46 | 61265400 | 1 | Isolante | Insulation |
| 13 | 61347400 | 1 | Isolante | Insulation | 47 | 61265000 | 1 | Isolante | Insulation |
| 14 | 61724800 | 1 | Isolante | Insulation | 48 | 61660600 | 1 | Isolante - C6 - C7 - C8 | Insulation - C6 - C7 - C8 |
| 15 | 61662000 | 1 | Isolante | Insulation | 49 | 61661600 | 1 | Isolante | Insulation |
| 16 | 61662100 | 1 | Isolante | Insulation | 50 | 61660700 | 1 | Isolante - C6 - C7 - C8 | Insulation - C6 - C7 - C8 |
| 17 | 61662400 | 1 | Isolante | Insulation | 51 | 61264500 | 1 | Isolante - C6 | Insulation - C6 |
| 18 | 61661000 | 1 | Isolante | Insulation | - | 61980700 | 1 | Isolante - C6 | Insulation - C6 |
| 19 | 61661300 | 1 | Isolante | Insulation | 52 | 61264300 | 1 | Isolante Dx. - C6 | R.H. insulation - C6 |
| 20 | 61661400 | 1 | Isolante | Insulation | - | 61980600 | 1 | Isolante Sx. - C6 | L.H. insulation - C6 |
| 21 | 61661700 | 1 | Isolante | Insulation | 53 | 61660800 | 1 | Isolante - C6 - C7 - C8 | Insulation - C6 - C7 - C8 |
| 22 | 61665500 | 1 | Supporto | Support | 54 | 61660900 | 1 | Isolante | Insulation |
| 23 | 61661800 | 1 | Isolante | Insulation | 55 | 61661500 | 1 | Isolante | Insulation |
| 24 | 61346000 | 1 | Isolante | Insulation | 56 | 61661100 | 1 | Isolante | Insulation |
| 25 | 61701200 | 1 | Supporto | Support | 57 | 61662300 | 1 | Isolante | Insulation |
| 26 | 61677000 | 1 | Isolante - C6 - C7 - C8 | Insulation - C6 - C7 - C8 | 58 | 61662200 | 1 | Isolante | Insulation |
| 27 | 61934100 | 1 | Isolante | Insulation | 59 | 61661200 | 1 | Isolante | Insulation |
| 28 | 61934200 | 1 | Isolante | Insulation | 60 | 61661900 | 1 | Isolante | Insulation |
| 29 | 61265100 | 1 | Isolante | Insulation | 61 | 62365200 | 1 | Isolante Dx. - C7 - C8 | R.H. insulation - C7 - C8 |
| 30 | 61917500 | 1 | Isolante | Insulation | - | 62365300 | 1 | Isolante Sx. - C7 - C8 | L.H. insulation - C7 - C8 |
| 31 | 61917600 | 1 | Isolante | Insulation | 62 | 132658 | 1 | Paratia fonoassorbente - C7 | Insulation panel - C7 |
| 32 | 61820800 | 1 | Isolante | Insulation | | | | | |

(1) Solo per Coupé (1) - Seulement pour Coupé (1) - For Coupé only (2) - Solo per Cabriolet (2) - Seulement pour Cabriolet (2) - For Cabriolet only

per USA·SA no per C7·C8
for not for



per USA·SA·C7·C8
for

3MONDIAL
2

ISOLAMENTO BAULE ED ABITACOLO - Cabriolet

LUGGAGE AND PASSENGER COMPART. INSULATION - Cabriolet

TAV. 109

DATA: OTTOBRE 87

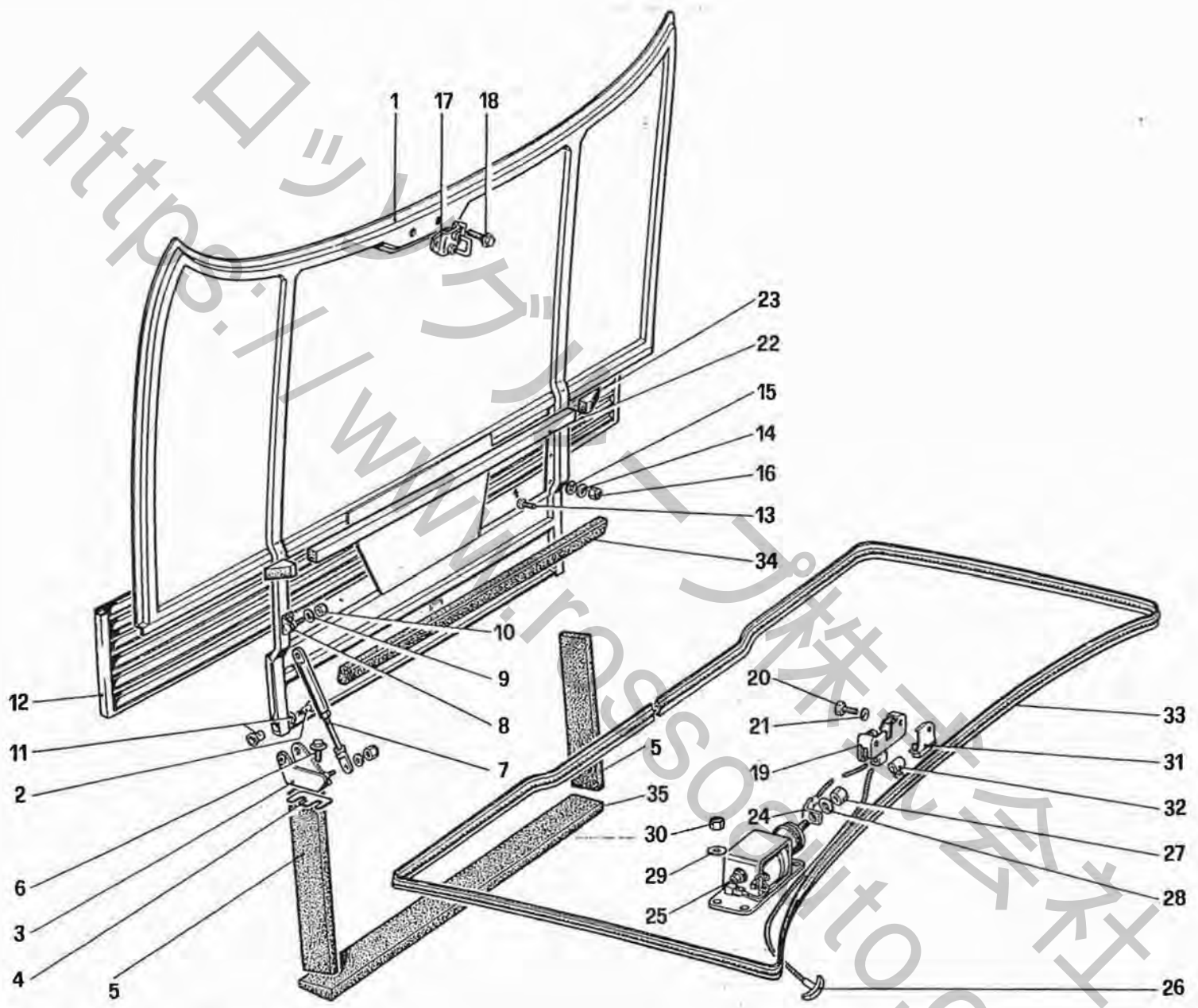
52032

TAVOLA 109

| Rif. | Dis. No. Part No. | Q.ty | DENOMINAZIONE | DESCRIPTION |
|------|----------------------|------|-----------------------|-------------------------|
| 1 | 61347100 | 1 | Isolante | Insulation |
| 2 | 61347500 | 1 | Isolante | Insulation |
| 3 | 61346800 | 2 | Isolante | Insulation |
| 4 | 61347200 | 1 | Isolante | Insulation |
| 5 | 61347300 | 1 | Isolante | Insulation |
| 6 | 61346700 | 1 | Isolante | Insulation |
| 7 | 61345400 | 1 | Isolante | Insulation |
| 8 | 61345500 | 1 | Isolante | Insulation |
| 9 | 61346900 | 1 | Isolante | Insulation |
| 10 | 61346600 | 1 | Isolante | Insulation |
| 11 | 61783600 | 1 | Isolante post. tunnel | Rear insulation tunnel |
| 12 | 61077600 | 1 | Isolante ant. tunnel | Front insulation tunnel |
| 13 | 61345600 | 1 | Isolante | Insulation |
| 14 | 61347400 | 1 | Isolante | Insulation |
| 15 | 61347000 | 1 | Isolante | Insulation |
| 16 | 61319400 | 1 | Contenitore Dx. | R.H. container |
| 17 | 61319700 | 1 | Contenitore | Container |
| 18 | 61346000 | 1 | Isolante | Insulation |
| 19 | 61319600 | 1 | Contenitore | Container |
| 20 | 61345300 | 1 | Isolante | Insulation |
| 21 | 61345700 | 1 | Isolante | Insulation |
| 22 | 61319500 | 1 | Contenitore Sx. | L.H. container |
| 23 | 61821300 | 1 | Isolante | Insulation |
| 24 | 61877500 | 1 | Isolante | Insulation |
| 25 | 61845200 | 1 | Isolante | Insulation |
| 26 | 61844700 | 1 | Isolante | Insulation |
| 27 | 61845000 | 1 | Isolante | Insulation |
| 28 | 61800400 | 1 | Protezione inox Sx. | L.H. inox protection |
| 29 | 61846100 | 1 | Isolante | Insulation |
| 30 | 61846500 | 1 | Isolante | Insulation |

| Rif. | Dis. No. Part No. | Q.ty | DENOMINAZIONE | DESCRIPTION |
|------|----------------------|------|-----------------------------|------------------------------|
| 31 | 61845700 | 1 | Isolante | Insulation |
| 32 | 128330 | 1 | Protezione inox | Inox protection |
| 33 | 61846200 | 1 | Isolante | Insulation |
| 34 | 61844800 | 1 | Isolante | Insulation |
| 35 | 61800300 | 1 | Protezione inox Dx. | R.H. inox protection |
| 36 | 61845100 | 1 | Isolante | Insulation |
| 37 | 61844900 | 1 | Isolante | Insulation |
| 38 | 61877300 | 1 | Isolante | Insulation |
| 39 | 61877400 | 1 | Isolante | Insulation |
| 40 | 61845900 | 1 | Isolante | Insulation |
| 41 | 61821400 | 1 | Isolante | Insulation |
| 42 | 61846300 | 1 | Isolante | Insulation |
| 43 | 61860900 | 1 | Isolante | Insulation |
| 44 | 61800100 | 1 | Protezione - No per C7 - C8 | Protection Nol for - C7 - C8 |
| - | 62360000 | 1 | Protezione - Per C7 | Protection - For C7 |
| - | 62433700 | 1 | Protezione - Per C8 | Protection - For C8 |
| 45 | 61844300 | 1 | Isolante | Insulation |
| 46 | 61844600 | 1 | Isolante | Insulation |
| 47 | 61844200 | 1 | Isolante | Insulation |
| 48 | 61844500 | 1 | Isolante | Insulation |
| 49 | 61844400 | 1 | Isolante | Insulation |
| 50 | 61844100 | 1 | Isolante | Insulation |
| 51 | 61861100 | 1 | Isolante | Insulation |
| 52 | 61820800 | 1 | Isolante | Insulation |
| 53 | 61845300 | 1 | Isolante | Insulation |
| 54 | 61846400 | 1 | Isolante | Insulation |
| 55 | 61861000 | 1 | Isolante | Insulation |
| 56 | 61821500 | 1 | Isolante | Insulation |
| 57 | 61846000 | 1 | Isolante | Insulation |

(1) Solo per Coupé (1) - Seulement pour Coupé - (1) - For Coupé only - (2) - Solo per Cabriolet (2) - Seulement pour Cabriolet - (2) - For Cabriolet only



3MONDIAL
2

COFANO ANTERIORE
FRONT COMPARTMENT LID

TAV. 110
DATA: OTTOBRE 87

52510

TAVOLA 110

| Rif. | Dis. No. Part No. | Q.ty | DENOMINAZIONE | DESCRIPTION | Rif. | Dis. No. Part No. | Q.ty | DENOMINAZIONE | DESCRIPTION |
|------|----------------------|------|---|--|------|----------------------|------|-----------------------------------|-------------------------------|
| 1 | 60952800 | 1 | Cofano con cerniere e perno-No per USA - SA | Bonnet with hinges and pin - Not for US - SA | 18 | 13836371 | 2 | Vite | Screw |
| - | 60952900 | 1 | Cofano con cerniere e perno USA - SA | Bonnet with hinges and pin - US - SA | 19 | 60277400 | 1 | Serratura cofano | Lock for bonnet |
| 2 | 60919100 | 2 | Perno per cerniera | Pin for hinge | 20 | 20297503 | 2 | Vite | Screw |
| 3 | 60918600 | 1 | Cerniera Dx. | Right hinge | 21 | 10519501 | 2 | Rondella tranciata | Washer |
| - | 60918700 | 1 | Cerniera Sx. | Left hinge | 22 | 60641400 | 1 | Guarnizione post. griglia | Rear gasket for grill |
| 4 | 60644700 | 6 | Spessore cerniere | Shim for hinge | 23 | 60703000 | 2 | Riporto laterale guarnizione | Rubber piece |
| 5 | 60773500 | 2 | Guarnizione laterale radiatore | Radiator side gasket | 24 | 60559700 | 1 | (B) Cavo serratura-dispositivo | (B) Cable |
| 6 | 13838071 | 4 | Vite | Screw | - | 61993800 | 1 | (A) Cavo serratura-dispositivo GS | (A) Cable LHD |
| 7 | 60559500 | 2 | Ammortizzatore | Support | - | 62382700 | 1 | (A) Cavo serratura-dispositivo GD | (A) Cable RHD |
| 8 | 60558800 | 2 | Staffa sul cofano fiss. ammortizzatore | Bracket | 25 | 60536500 | 1 | Dispositivo elettrico apricofano | Electric bonnet opener |
| 9 | 12639701 | 4 | Rondella tranciata | Washer | 26 | 60706200 | 1 | Cavo emergenza | Emergency cable |
| 10 | 12574211 | 4 | Dado autobloccante | Selflocking nut | 27 | 15896411 | 1 | Dado | Nut |
| 11 | 60919400 | 4 | Boccola | Bush | 28 | 11195471 | 1 | Rondella elastica | Spring washer |
| 12 | 60559600 | 1 | Griglia | Grill | 29 | 10519301 | 4 | (B) Rondella | (B) Washer |
| 13 | 61349600 | 6 | Vite (per vetture colore chiaro) | Fixing screw (for light-colour cars) | 30 | 12574111 | 4 | (B) Dado | (B) Nut |
| - | 20297602 | 6 | Vite (per vetture colore scuro) | Fixing screw (for dark-colour cars) | 31 | 61164400 | 1 | (B) Comando spia cofano aperto | (B) Switch for bonnet warning |
| 14 | 12638108 | 6 | Rondella tranciata fiss. griglia | Washer for grill | 32 | 60276607 | 1 | Morsello fiss. cavo | Cable clamp |
| 15 | 12604178 | 6 | Rondella elastica fiss. griglia | Spring washer for grill | 33 | 60949300 | 1 | Guarnizione | Gasket |
| 16 | 14054048 | 6 | Dado fiss. griglia | Fixing nut for grill | 34 | 60773300 | 1 | Guarnizione superiore radiatore | Radiator upper gasket |
| 17 | 60536900 | 1 | Gancio per serratura | Catch | 35 | 60773400 | 1 | Guarnizione inferiore radiatore | Radiator lower gasket |

(1) Solo per Coupé (1) - Seulement pour Coupé - (1) - For Coupé only - (2) - Solo per Cabriolet

(2) - Seulement pour Cabriolet - (2) - For Cabriolet only

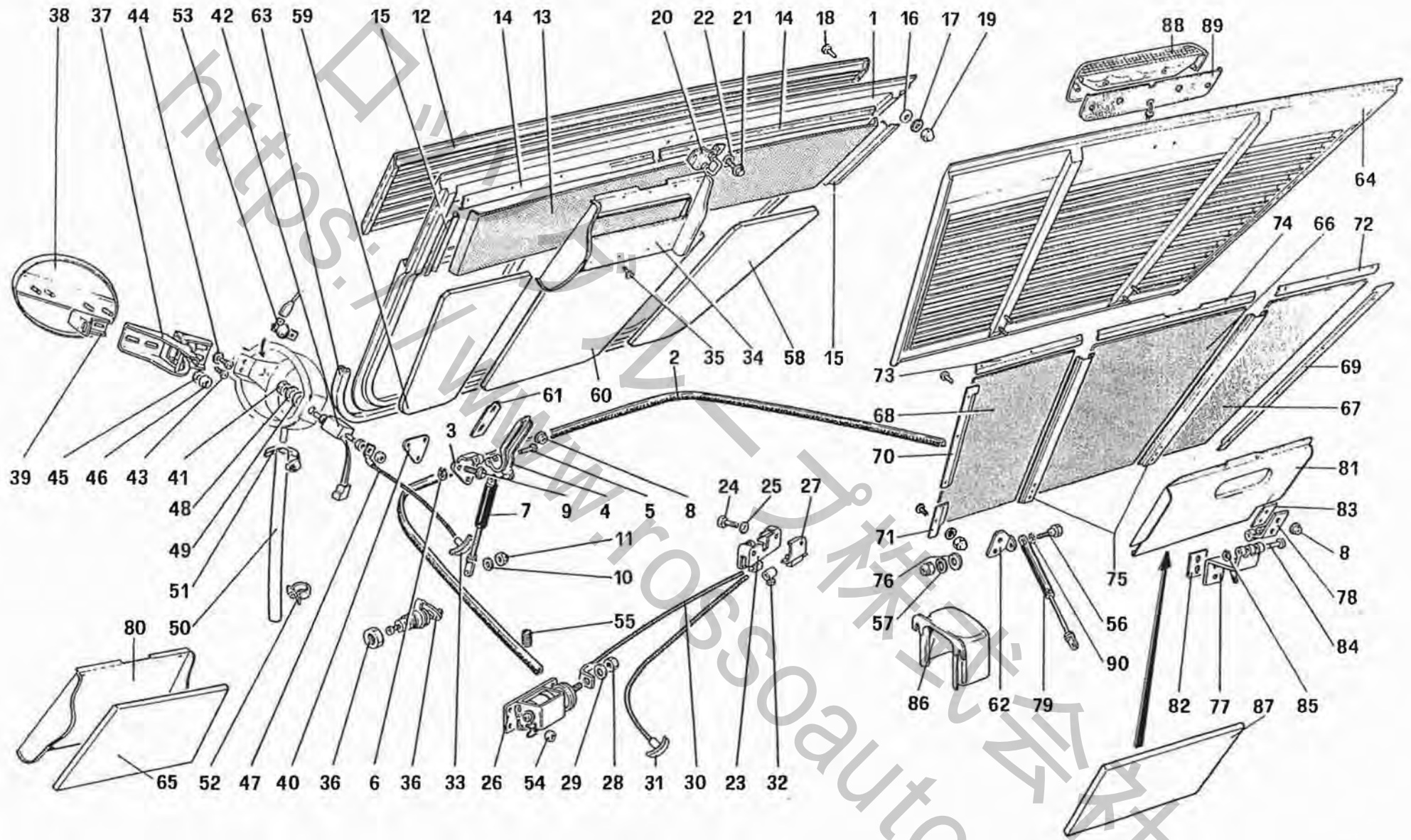


TAVOLA 111

| Rif. | Dis. No. Part No. | Q.ty | DENOMINAZIONE | DESCRIPTION |
|------|----------------------|------|--|--|
| | 60514900 | 2 | (1) Cerniera completa cofano | (1) Complete hinge for bonnet |
| | 61255200 | 2 | (2) Cerniera completa cofano | (2) Complete hinge for bonnet |
| 1 | 60533900 | 1 | (1) Cofano motore | (1) Engine bonnet |
| 2 | 60860600 | 1 | Guarnizione | Gasket |
| 3 | 60515000 | 2 | (1) Cerniera fissa | (1) Fixed hinge |
| 4 | 60515100 | 2 | (1) Cerniera mobile | (1) Mobile hinge |
| 5 | 60515200 | 2 | (1) Perno | (1) Pin |
| 6 | 11067976 | 2 | (1) Anello elastico | (1) Circlip |
| 7 | 60559500 | 2 | (1) Ammortizzatore | (1) Support |
| 8 | 13832101 | 4 | Dado | Nut |
| 9 | 13836071 | 6 | Vite | Screw |
| 10 | 12639701 | 4 | (1) Rondella piana | (1) Washer |
| 11 | 12574211 | 4 | (1) Dado autobloccante | (1) Selflocking nut |
| 12 | 60536400 | 1 | (1) Griglia | (1) Grill |
| 13 | 60561100 | 1 | (1) Rete sottogriglia | (1) Net under the grill |
| 14 | 60534800 | 2 | (1) Modanatura post. griglia | (1) Rear moulding for grill |
| 15 | 60535200 | 2 | (1) Modanatura post. griglia | (1) Rear moulding for grill |
| 16 | 12638108 | 7 | (1) Rondella piana | (1) Washer |
| 17 | 12604178 | 6 | (1) Rondella elastica | (1) Washer |
| 18 | 20297602 | 6 | (1) Vite - colore scuro | (1) Screw dark color |
| - | 61349600 | 4 | (1) Vite - colore chiaro | (1) Screw light color |
| 19 | 14054048 | 6 | (1) Dado cieco | (1) Cap nut |
| 20 | 60702100 | 1 | Gancio serratura | Catch |
| 21 | 13836371 | 2 | Vite | Screw |
| 22 | 12643701 | 2 | Rondella | Washer |
| 23 | 60277407 | 1 | Serratura | Lock |
| 24 | 20297503 | 2 | Vite | Screw |
| 25 | 10519501 | 2 | Rondella piana | Washer |
| 26 | 60536500 | 1 | Dispositivo apricofano | Bonnet opener |
| - | 61428100 | 1 | Dispositivo apricofano - Solo per vett. con T.A. | Electric bonnet opener - only cars with T.A. |
| 27 | 61164400 | 1 | (B) Comando spia cofano aperto | (B) Warning light control |
| 28 | 15896411 | 1 | Dado | Nut |
| 29 | 11195471 | 1 | Rondella | Washer |
| 30 | 60666400 | 1 | (1) Cavo serratura | (1) Cable |
| - | 61299400 | 1 | (2) Cavo serratura | (2) Cable |
| 31 | 60666500 | 1 | (1) Cavo emergenza | (1) Emergency cable |
| - | 61299500 | 1 | (2) Cavo emergenza | (2) Emergency cable |
| 32 | 60276607 | 1 | Morsetto fiss. cavo | Cable clamp |
| 33 | 60719000 | 1 | Maniglia di soccorso | Emergency handle |
| 34 | 61205100 | 1 | (1) Riparo acqua - No per C6 - C7 - C8 | (1) Water shield - Not for C6 - C7 - C8 |
| 35 | 61681100 | 1 | (1) Vite (+ 1 dis. 14072416) | (1) Screw (+ 1 no. 14072416) |
| 36 | 60701600 | 1 | Presa di corrente | Socket |
| 37 | 60537600 | 1 | (B) Cerniera sportello bocchettone | (B) Hinge for fuel filler lid |
| - | 62370400 | 1 | (A) Cerniera sportello bocchettone | (A) Hinge for fuel filler lid |
| 38 | 60537100 | 1 | (1) Sportello bocchettone | (1) Fuel filler lid |
| - | 61252900 | 1 | (2) Sportello bocchettone | (2) Fuel filler lid |
| 39 | 60538100 | 1 | Scontrino serratura | Lock striker |
| 40 | 60732300 | 2 | (1) Zincofil | (1) Zincofil |
| 41 | 60538800 | 1 | Ghiera | Ring nut |
| 42 | 60868600 | 1 | Dispositivo elettrico sportello | Electric lid opener |
| 43 | 13274011 | 2 | Vite | Screw |
| 44 | 10615371 | 2 | Rondella dentata | Tab washer |
| 45 | 12638101 | 4 | Rondella piana | Washer |
| 46 | 12574111 | 4 | Dado autobloccante | Selflocking nut |

| Rif. | Dis. No. Part No. | Q.ty | DENOMINAZIONE | DESCRIPTION |
|------|----------------------|------|--|--|
| 47 | 60710800 | 1 | (1) Cavo di soccorso | (1) Emergency cable |
| - | 61333700 | 1 | (2) Cavo di soccorso | (2) Emergency cable |
| 48 | 60772700 | 1 | Rondella in nylon | Washer |
| 49 | 60772600 | 1 | Rondella piana | Washer |
| 50 | 60781500 | 1 | Tube di scarico benzina | Fuel discharge pipe |
| 51 | 12178990 | 1 | Fascella | Pipe clamp |
| 52 | 10450290 | 1 | Mollella | Pipe clip |
| 53 | 60676500 | 1 | (B) Contatto per sportello | (B) Lid contact |
| 54 | 12574211 | 4 | Dado autobloccante | Selflocking nut |
| 55 | 60568000 | 2 | Tassello battuta cofano | Small block |
| 56 | 40161903 | 2 | (2) Perno fiss. asta | (2) Pin |
| 57 | 10615371 | 1 | (2) Rondella dentata | (2) Tab washer |
| 58 | 61155600 | 1 | (1) Isolante Dx. | (1) Insulation R.H. |
| 59 | 61155700 | 1 | (1) Isolante Sx. | (1) Insulation L.H. |
| 60 | 61155800 | 1 | (1) Isolante centrale | (1) Insulation |
| 61 | 60732400 | 2 | (1) Zincofil | (1) Zincofil |
| 62 | 61314100 | 1 | (2) Piastrina fissaggio asta | (2) Bracket |
| 63 | 60997100 | 1 | (1) Guarnizione | (1) Gasket |
| 64 | 61254300 | 1 | (2) Cofano motore - No per USA | (2) Engine bonnet - Not for US |
| - | 61868700 | 1 | (2) Cofano motore - USA | (2) Engine bonnet - US |
| 65 | 61155900 | 1 | (1) Isolante - Solo per C6 - C7 | (1) Insulation - C6 - C7 only |
| 66 | 61298900 | 1 | (2) Rete centrale - No per USA | (2) Central grill - Not for US |
| - | 61895000 | 1 | (2) Rete centrale - USA | (2) Central grill - US |
| 67 | 61370300 | 1 | (2) Rete Dx. | (2) R.H. grill |
| 68 | 61370400 | 1 | (2) Rete Sx. | (2) L.H. grill |
| 69 | 61370500 | 1 | (2) Angolare Dx. | (2) R.H. angular |
| 70 | 61370600 | 1 | (2) Angolare Sx. | (2) L.H. angular |
| 71 | 61370700 | 1 | (2) Angolare Sx. corto | (2) L.H. angular short |
| 72 | 61370800 | 1 | (2) Angolare post. Dx. | (2) R.H. rear angular |
| 73 | 61370900 | 1 | (2) Angolare post. Sx. | (2) L.H. rear angular |
| 74 | 61371000 | 1 | (2) Angolare post. centrale - No per USA | (2) Rear central angular - Not for US |
| - | 61895200 | 1 | (2) Angolare post. centrale - USA | (2) Rear central angular - US |
| 75 | 61371100 | 1 | (2) Angolare centrale - No per USA - C6 - C7 | (2) Central angular - Not for US - C6 - C7 |
| - | 61371100 | 1 | (2) Angolare Dx. - USA | (2) R.H. angular - US |
| - | 61895100 | 1 | (2) Angolare Sx. - USA | (2) L.H. angular - US |
| 76 | 12638101 | 2 | (2) Rondella piana | (2) Washer |
| 77 | 61255300 | 2 | (2) Cerniera fissa | (2) Fixed hinge |
| 78 | 61255400 | 2 | (2) Cerniera mobile | (2) Mobile hinge |
| 79 | 60118007 | 1 | (2) Asla sostegno cofano | (2) Support |
| | | | Dopo esaurimento vale n. 62380500 | After exhaustion use no. 62380500 |
| 80 | 60695700 | 1 | (1) Riparo acqua - Solo C6 - C7 - C8 | (1) Water shield - C6 - C7 - C8 only |
| 81 | 61810700 | 1 | (2) Riparo acqua - No per USA - C6 - C7 - C8 | (2) Water shield - Not for US - C6 - C7 - C8 |
| - | 61665200 | 1 | (2) Riparo acqua - Solo C6 - C7 - C8 | (2) Water shield - C6 - C7 - C8 only |
| - | 61894800 | 1 | (2) Riparo acqua - Solo USA | (2) Water shield - US only |
| 82 | 61255500 | 2 | (2) Zincofil | (2) Zincofil |
| 83 | 61255600 | 2 | (2) Zincofil | (2) Zincofil |
| 84 | 40028904 | 2 | (2) Perno | (2) Pin |
| 85 | 11065476 | 2 | (2) Anello elastico | (2) Circlip |
| 86 | 61372300 | 1 | (2) Protezione bobine | (2) Protection for coils |
| 87 | 61659800 | 1 | (2) Isolante - Solo C6 - C7 | (2) Insulation - CH only |
| 88 | 61892900 | 1 | (2) Fanale stop - Solo USA | (2) Stop lamp - US only |
| 89 | 61895400 | 1 | (2) Guarnizione - Solo USA | (2) Gasket - USA only |
| 90 | 106849 | 2 | (2) Rondella - Solo con asta 62380500 | (2) Washer - With supporto 62380500 only |

(1) Solo per Coup (1) - Seulement pour Coupé - (1) - For Coupé only - (2) - Solo per Cabrio (2) - Seulement pour Cabriolet - (2) - For Cabriolet only

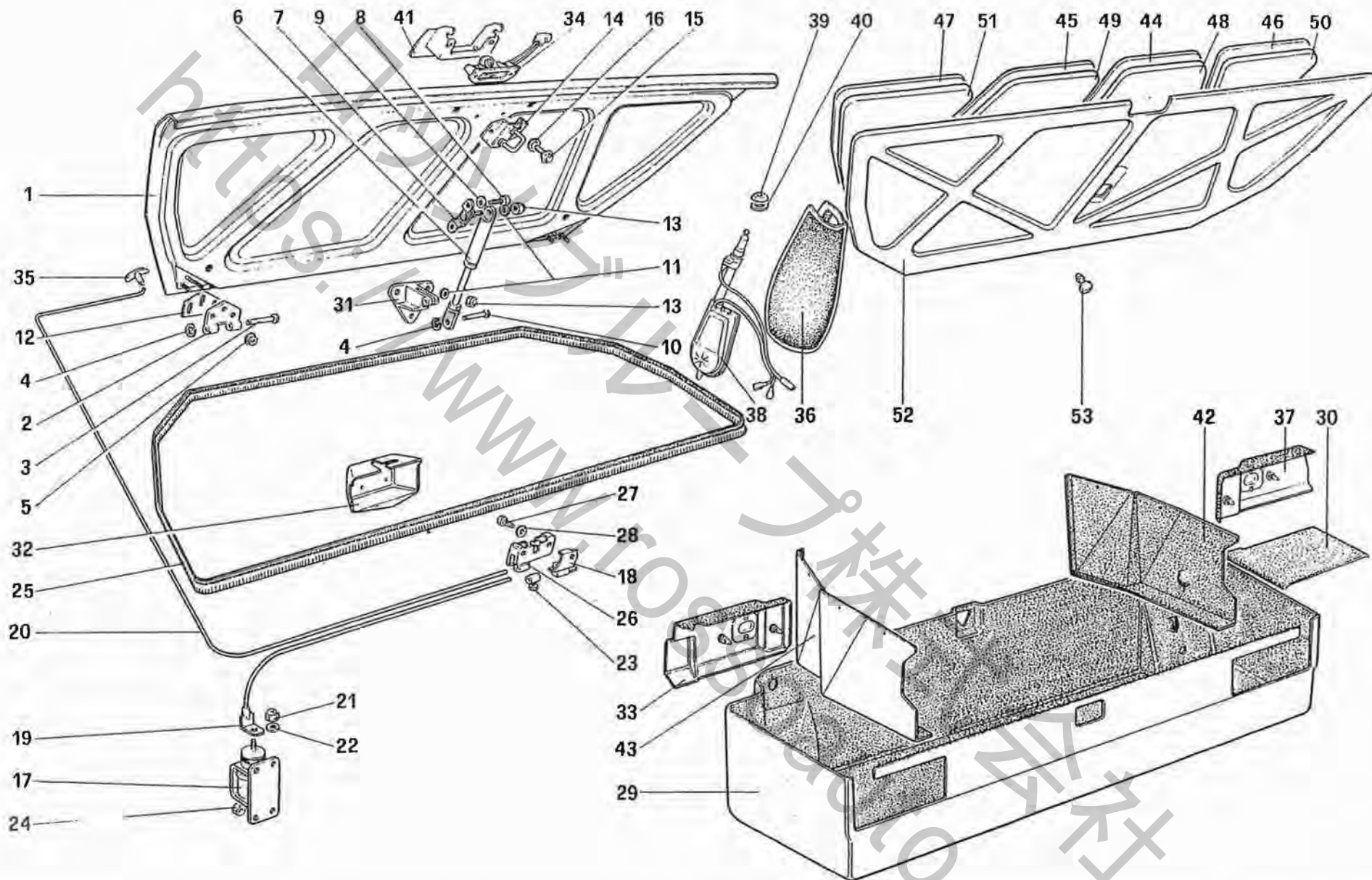
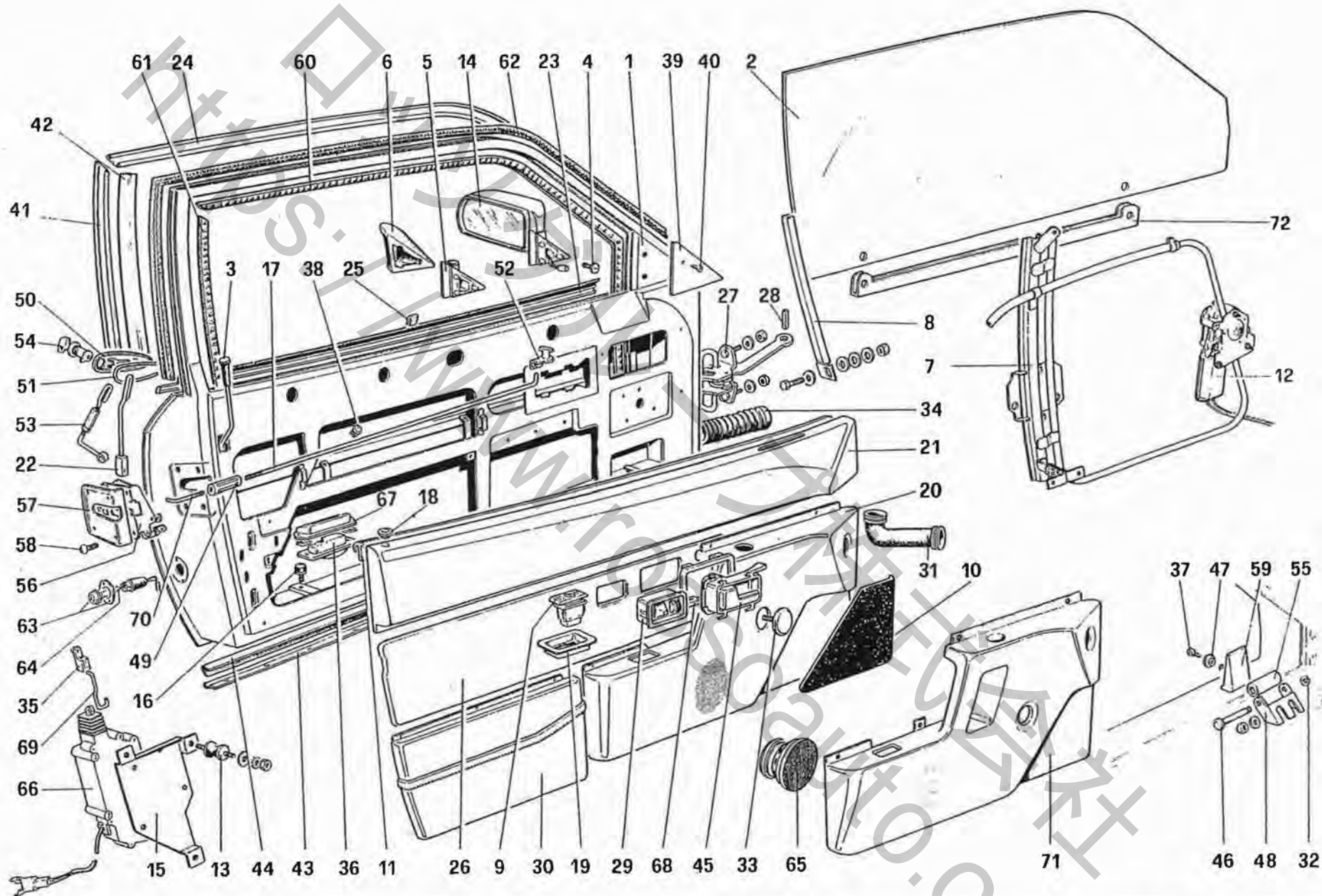


TAVOLA 112

| Rif. | Dis. No. Part No. | D.ly | DENOMINAZIONE | DESCRIPTION | Rif. | Dis. No. Part No. | D.ly | DENOMINAZIONE | DESCRIPTION |
|------|----------------------|------|--|---|------|----------------------|------|---|--|
| 1 | 60523500 | 2 | Cerniera cofano completa | Complete hinge for bonnet | - | 61867900 | 1 | (2) Tappeto - USA - C7 - C8 | (2) Carpet - US - C7 - C8 |
| 2 | 61899800 | 1 | Cofano baule (può sostituire il 60544200) | Trunk bonnet (can replace 60544200) | 30 | 61946900 | 1 | (1) Copertura centralina USA - SA - AUS - C7 | (1) Cover US - SA - AUS - C7 |
| 3 | 60523600 | 2 | Cerniera mobile | Hinge mobile | 31 | 60563100 | 1 | Stiffa | Bracket |
| 4 | 60523800 | 2 | Perno cerniera | Pin | 32 | 61866300 | 1 | Copriserratura | Lock housing |
| 5 | 11087976 | 3 | Anello elastico | Seeger ring | 33 | 61945200 | 1 | Protezione fanali Sx. - No per TA No per Cabriolet USA - SA - C7 | L.H. protection - Not for TA Not for Cabriolet US - SA - C7 |
| 6 | 13832101 | 6 | Dado con bordo dentato | Nut | - | 61945300 | 1 | Protezione fanali Sx. - TA - AUS | L.H. protection - TA - AUS |
| 7 | 60563300 | 1 | Ammortizzatore | Support | - | 61945500 | 1 | (2) Protezione fanali Sx. - USA - SA - C7 | (2) L.H. protection - US - SA - C7 |
| 8 | 60700700 | 1 | Supporto ammortizzatore | Support | 34 | 60044906 | 2 | Fanale targa | Number plate light |
| 9 | 14304220 | 2 | Vite | Screw | 35 | 60710900 | 1 | Maniglia cavo emergenza | Emergency handle |
| 10 | 60700900 | 2 | Rondella | Washer | 36 | 60874000 | 1 | Protezione antenna | Aerial protection |
| 11 | 60563200 | 1 | Perno | Pin | 37 | 61945100 | 1 | Protezione fanali Dx. No per Cabriolet USA - SA - C7 | R.H. protection Not for Cabriolet US - SA - C7 |
| 12 | 60698400 | 4 | Rondella | Washer | - | 61945400 | 1 | (2) Protezione fanali Dx. - USA - SA - C7 | (2) R.H. protection - US - SA - C7 |
| 13 | 60732500 | 2 | Zincofil | Zincofil | 38 | 61717900 | 1 | Antenna radio Dopo esaurimento vale n. 61897500 | Radio aerial On exhaustion use no. 61897500 |
| 14 | 20293000 | 4 | Dado | Nut | 39 | 60623100 | 1 | (1) Boccola antenna | (1) Bush for aerial |
| 15 | 60560100 | 1 | Gancio | Catch | 40 | 60623200 | 1 | (1) Guarnizione di tenuta | (1) Seal gasket |
| 16 | 13836371 | 2 | Vite speciale | Special screw | 41 | 60846500 | 2 | Sostegno fanale targa | Support for plate light |
| 17 | 12643701 | 2 | Rondella | Washer | 42 | 61921200 | 1 | (2) Fianco interno Dx. No per USA - SA - C7 | (2) R.H. internal panel Not for US - SA - C7 |
| 18 | 60536500 | 1 | Dispositivo apertura cofano | Electric bonnet opener | - | 61897100 | 1 | (2) Fianco interno Dx. - USA - SA - C7 | (2) R.H. internal panel - US - SA - C7 |
| 19 | 61164400 | 1 | (B) Comando spia cofano aperto | (B) Warning light control-bonnet open | 43 | 61921300 | 1 | (2) Fianco interno Sx. No per USA - SA - C7 | (2) L.H. internal panel Not for US - SA - C7 |
| 20 | 60670700 | 1 | Cavo apertura cofano | Cable for opening bonnet | - | 61897000 | 1 | (2) Fianco interno Sx. - USA - SA - C7 | (2) L.H. internal panel - US - SA - C7 |
| 21 | 61203700 | 1 | (1) Cavo emergenza | (1) Safety cable | 44 | 61898500 | 1 | Isolante | Insulation |
| 22 | 61221200 | 1 | (2) Cavo emergenza | (2) Safety cable | 45 | 61898600 | 1 | Isolante | Insulation |
| 23 | 15896411 | 1 | Dado | Nut | 46 | 61898700 | 1 | Isolante | Insulation |
| 24 | 11195471 | 1 | Rondella elastica | Spring ring | 47 | 61898800 | 1 | Isolante | Insulation |
| 25 | 60276607 | 1 | Morsetto | Cable clamp | 48 | 61898900 | 1 | Isolante | Insulation |
| 26 | 12574211 | 3 | Dado | Nut | 49 | 61899000 | 1 | Isolante | Insulation |
| 27 | 60545300 | 1 | Guarnizione | Gasket | 50 | 61899100 | 1 | Isolante | Insulation |
| 28 | 60277407 | 1 | Serratura cofano | Bonnet lock | 51 | 61899200 | 1 | Isolante | Insulation |
| 29 | 20297503 | 2 | Vite | Screw | 52 | 61899300 | 1 | Tappeto rigido | Carpet |
| 30 | 10519501 | 2 | Rondella piana | Washer | 53 | 14592787 | 9 | Tappo | Plug |
| 31 | 61867700 | 1 | (1) Tappeto - No per AUS - C7 - C8 e TA | (1) Carpet - Not for AUS - C7 - C8 and TA | | | | | |
| 32 | 61867800 | 1 | (1) Tappeto - AUS - C7 (Escluso TA) | (1) Carpet - AUS - C7 (Excluded TA) | | | | | |
| 33 | 62460800 | 1 | (1) Tappeto - C8 (Escluso TA) | (1) Carpet - C8 (Excluded TA) | | | | | |
| 34 | 61895700 | 1 | (1) Tappeto - TA - No per USA - SA - C7 - C8 | (1) Carpet - TA - Not for US - SA - C7 - C8 | | | | | |
| 35 | 61867800 | 1 | (1) Tappeto - TA - USA - SA | (1) Carpet - TA - Only for US - SA | | | | | |
| 36 | 61867800 | 1 | (1) Tappeto - TA - C7 - C8 | (1) Carpet - TA - Only for C7 - C8 | | | | | |
| 37 | 61868000 | 1 | (2) Tappeto - No per USA - C7 - C8 | (2) Carpet - Not for US - C7 - C8 | | | | | |

(1) - Solo per Car (1) - Seulement pour Coupé (1) - For Coupé only (2) - Solo per Cab (2) - Seulement pour Cabriolet (2) - For Cabriolet only



53535

3.2 MONDIAL

PORTE - 3.2 Mondial Coupé

DOORS - 3.2 Mondial Coupé

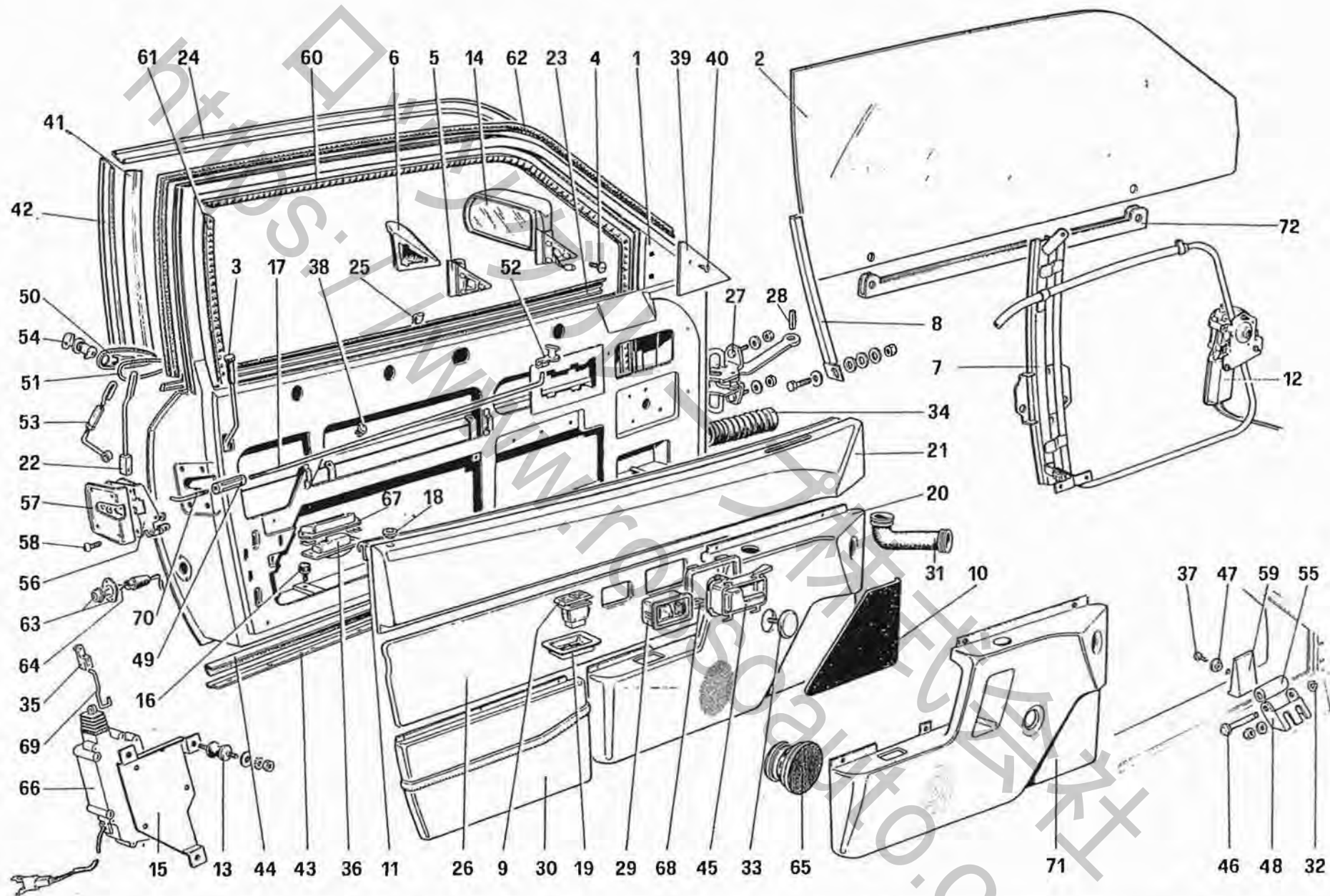
TAV. 113

DATA: OTTOBRE 87

TAVOLA 113

| Rif. | Dis. No. Part No. | Q.ty | DENOMINAZIONE | DESCRIPTION | Rif. | Dis. No. Part No. | Q.ty | DENOMINAZIONE | DESCRIPTION |
|------|----------------------|------|--|---|------|----------------------|------|---------------------------------------|-----------------------------------|
| | 62301900 | 1 | Dispositivo alzacristallo Dx. e motore | Lifting assembly and motor for R.H. glass | - | 61695700 | 1 | Rivestimento | Covering |
| | 62302000 | 1 | Dispositivo alzacristallo Sx. e motore | Lifting assembly and motor for L.H. glass | 22 | 60633600 | 2 | Asta con terminale | Rod with terminal |
| 1 | 62300100 | 1 | Porta Dx. - No per USA - SA - AUS | R.H. door - Not for US - SA - AUS | 23 | 60635300 | 1 | Modanatura Dx. (Guarnizione 60637100) | R.H. moulding (Gasket 60637100) |
| - | 62300200 | 1 | Porta Sx. - No per USA - SA - AUS | L.H. door - Not for US - SA - AUS | - | 60635400 | 1 | Modanatura Sx. (Guarnizione 60637100) | L.H. moulding (Gasket 60637100) |
| - | 61773400 | 1 | Porta Dx. - USA - SA - AUS | R.H. door - US - SA - AUS | 24 | 60636400 | 1 | Cornice superiore Dx. | Frame for right door |
| - | 61773500 | 1 | Porta Sx. - USA - SA - AUS | L.H. door - US - SA - AUS | - | 60636500 | 1 | Cornice superiore Sx. | Frame for left door |
| 2 | 61034100 | 1 | Cristallo Dx. | R.H. glass | 25 | 4211210 | 10 | Molletta | Clip |
| - | 61034200 | 1 | Cristallo Sx. | L.H. glass | 26 | 61774800 | 1 | Pannello Dx. rivestito - GS | R.H. panel with covering - LHD |
| 3 | 61813600 | 2 | Pomello sicura con asta | Knob with rod | - | 61836100 | 1 | Pannello Dx. rivestito - GD | R.H. panel with covering - RHD |
| 4 | 61182700 | 6 | Vite | Screw | - | 61774900 | 1 | Pannello Sx. rivestito - GS | L.H. panel with covering - LHD |
| 5 | 61089900 | 1 | Supporto specchio Sx. | Support for L.H. mirror | - | 61836200 | 1 | Pannello Sx. rivestito - GD | L.H. panel with covering - RHD |
| - | 61181000 | 1 | Supporto specchio Dx. | Support for R.H. mirror | - | 60629500 | 2 | Rivestimento | Covering |
| 6 | 61181200 | 1 | Guarnizione specchio Dx. - GS | Gasket for R.H. mirror - LHD | - | 61926300 | 1 | Pannello Dx. rivestito - GS | R.H. panel with covering - LHD |
| - | 61182600 | 1 | Guarnizione specchio Dx. - GD | Gasket for R.H. mirror - RHD | - | 61926700 | 1 | Pannello Dx. rivestito - GD | R.H. panel with covering - RHD |
| - | 61080500 | 1 | Guarnizione specchio Sx. - GS | Gasket for L.H. mirror - LHD | - | 61926400 | 1 | Pannello Sx. rivestito - GS | L.H. panel with covering - LHD |
| - | 61182400 | 1 | Guarnizione specchio Sx. - GD | Gasket for L.H. mirror - RHD | - | 61926800 | 1 | Pannello Sx. rivestito - GD | L.H. panel with covering - RHD |
| 7 | 62302300 | 1 | Alzacristallo Dx. | R.H. window regulator | - | 61967600 | 1 | Rivestimento Sx. | L.H. covering |
| - | 62302400 | 1 | Alzacristallo Sx. | L.H. window regulator | - | 61395300 | 1 | Rivestimento Dx. | R.H. covering |
| 8 | 60614400 | 1 | Guida Dx. | R.H. guide | 27 | 60921100 | 2 | Tirante arresto porta | Stop tie rod for door |
| - | 60614500 | 1 | Guida Sx. | L.H. guide | 28 | 60730200 | 2 | Spina per tirante | Pin for tie - rod |
| 9 | 61875200 | 2 | Interruttore bloccaporte | Door lock switch | 29 | 61063200 | 1 | Interruttore specchi esterni | Switch for outer mirrors |
| 10 | 60896600 | 1 | Moquette Dx. | R.H. moquette | 30 | 61185400 | 1 | Tasca Dx. | R.H. pocket |
| - | 60896700 | 1 | Moquette Sx. | L.H. moquette | - | 61185500 | 1 | Tasca Sx. | L.H. pocket |
| 11 | 61811100 | 2 | Guarnizione | Gasket | 31 | 60628300 | 1 | Condotto aria Dx. | R.H. air duct |
| 12 | 62302100 | 1 | Motore Dx. | R.H. motor | - | 60628400 | 1 | Condotto aria Sx. | L.H. air duct |
| - | 62302200 | 1 | Motore Sx. | L.H. motor | 32 | 11065375 | 2 | Anello elastico | Seeger |
| 13 | 113021 | 6 | Tampone | Plug | 33 | 60628500 | 2 | Tappo foro maniglia alza cristalli | Plug for window regulator handle |
| 14 | 61090000 | 1 | Specchio Sx. - GS | L.H. mirror - LHD | 34 | 60637900 | 2 | Solfietto per cavi elettrici | Bellows for electric cables |
| - | 61182300 | 1 | Specchio Sx. - GD - No per AUS | L.H. mirror - RHD - Not for AUS | 35 | 40063208 | 6 | Molletta | Clip |
| - | 61368000 | 1 | Specchio Sx. - AUS | L.H. mirror - AUS | 36 | 60842100 | 2 | Plafoniera | Roof lamp |
| - | 61181100 | 1 | Specchio Dx. - GS - No per USA - SA | D.H. mirror - LHD - Not for US - SA | 37 | 15687201 | 2 | Vite | Screw |
| - | 61367700 | 1 | Specchio Dx. - USA - SA | D.H. mirror - US - SA | 38 | 14577880 | 4 | Molletta | Clip |
| - | 61182500 | 1 | Specchio Dx. - GD | D.H. mirror - RHD | 39 | 61721000 | 1 | Mostrina interna Dx. | R.H. moulding |
| 15 | 61811400 | 1 | Supporto Dx. | R.H. support | - | 61721100 | 1 | Mostrina interna Sx. | L.H. moulding |
| - | 61811500 | 1 | Supporto Sx. | L.H. support | 40 | 20292009 | 2 | Vite | Screw |
| 16 | 62302700 | 4 | Vite registro | Adjusting screw | 41 | 60636600 | 1 | Cornice post. Dx. | R.H. rear frame |
| 17 | 61789500 | 2 | Asta anteriore | Front rod | - | 60636700 | 1 | Cornice post. Sx. | L.H. rear frame |
| 18 | 61813500 | 2 | Boccola | Bush | 42 | 60636200 | 1 | Modanatura verticale Dx. | Vertical right moulding |
| 19 | 61816700 | 2 | Mostrina con pannello - 61774400 - 61774500 | Moulding with panel - 61774400 - 61774500 | - | 60636300 | 1 | Modanatura verticale Sx. | Vertical left moulding |
| - | 61913300 | 2 | Mostrina con pannello - 61912700 - 61912800 e 61924900 - 61925000 | Moulding with panels - 61912700 - 61912800 and 61924900 - 61925000 | 43 | 60725000 | 2 | Sostegno guarnizione | Support for gasket |
| 20 | 61774400 | 1 | Pannello Dx. rivestito - Fino velt. 60047 No per USA - GD - SA | R.H. panel with covering - Until car 60047 Not for US - RHD - SA | 44 | 60725100 | 2 | Guarnizione sottoporta | Underdoor gasket |
| - | 61912700 | 1 | Pannello Dx. rivestito - Dalla velt. 60061 e fino introduzione particolare n. 71 | R.H. panel with covering - From car 60061 and until introduction of item 71 | 45 | 61805400 | 1 | Maniglia interna Dx. | R.H. interior handle |
| - | 61475400 | 1 | Rivestimento | Covering | - | 61805500 | 1 | Maniglia interna Sx. | L.H. interior handle |
| - | 61774500 | 1 | Pannello Sx. rivestito - Fino velt. 60047 No per USA - GD - SA | L.H. panel with covering - Until car 60047 Not for US - RHD - SA | 46 | 61112000 | 2 | Perno fiss. rullino | Pin fixing roller |
| - | 61912800 | 1 | Pannello Sx. rivestito - Dalla velt. 60061 e fino introduzione particolare n. 71 | L.H. panel with covering - From car 60061 and until introduction of item 71 | 47 | 61037900 | 2 | Rondella | Washer |
| - | 61475500 | 1 | Rivestimento | Covering | 48 | 61111900 | 2 | Staffa fiss. rullino | Bracket |
| 21 | 61774000 | 1 | Pannello Dx. rivestito + guarnizione 11 | R.H. panel with covering + gasket 11 | 49 | 60088606 | 2 | Manicotto | Sleeve |
| - | 61695600 | 1 | Rivestimento | Covering | 50 | 60633300 | 1 | Maniglia esterna Dx. | Outer handle for right door |
| - | 61774100 | 1 | Pannello Sx. rivestito + guarnizione 11 | L.H. panel with covering + gasket 11 | - | 60633400 | 1 | Maniglia esterna Sx. | Outer handle for left door |
| | | | | | 51 | 61084400 | 2 | Guarnizione maniglia esterna | Gasket for outer handle |
| | | | | | 52 | 61611500 | 2 | Molletta | Clip |
| | | | | | 53 | 60633800 | 2 | Asta maniglia esterna e serratura | Rod between outer handle and lock |
| | | | | | 54 | 60719100 | 2 | Blocchetto Dx. e Sx. con chiave | Right and left lock with key |
| | | | | | 55 | 61111700 | 2 | Rullino guidavetro | Guiding glass roller |

(1) Solo per Coupé (1) - Seulement pour Coupé - (1) - For Coupé only - (2) - Solo per Cabriolet (2) - Seulement pour Cabriolet - (2) - For Cabriolet only



3.2 MONDIAL

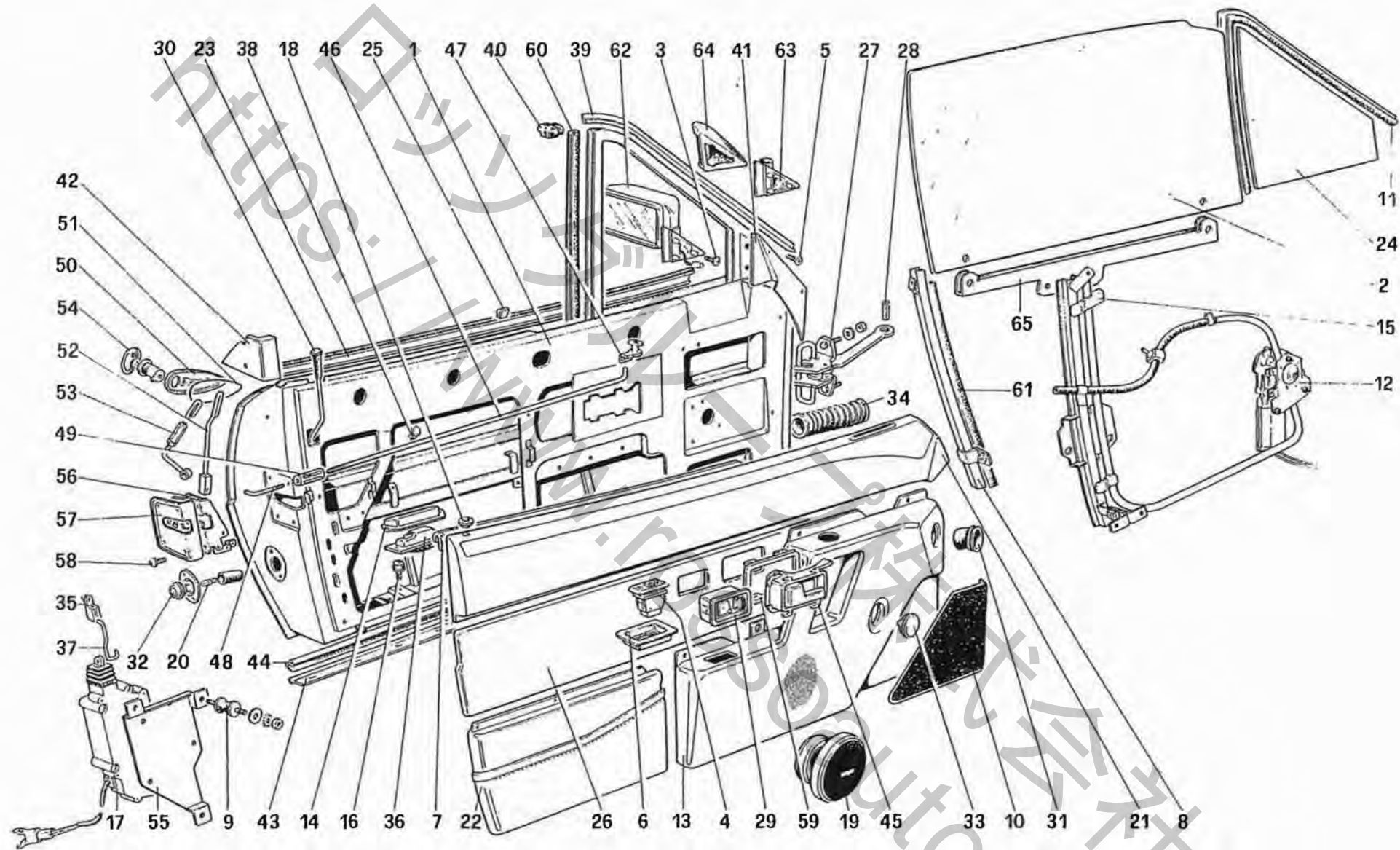
PORTE - 3.2 Mondial Coupé
DOORS - 3.2 Mondial Coupé

TAV. 113/a
DATA: OTTOBRE 87

TAVOLA 113/a

| Rif. | Dis. No. Part No. | Q.ty | DENOMINAZIONE | DESCRIPTION | Rif. | Dis. No. Part No. | Q.ty | DENOMINAZIONE | DESCRIPTION |
|------|----------------------|------|------------------------------|-----------------------------|------|----------------------|------|-----------------------------------|-----------------------------------|
| 56 | 61775400 | 1 | Serratura Dx. | R.H. lock | 66 | 61811300 | 2 | Dispositivo bloccaporte | Locking device for door |
| - | 61775500 | 1 | Serratura Sx. | L.H. lock | | | | Dopo esaurimento vale n. 62437700 | After exhaustion use no. 62437700 |
| 57 | 60634700 | 1 | Modanatura serratura Dx. | Moulding for R.H. lock | 67 | 60842000 | 2 | Sede plafoniera | Housing for underdoor lamp |
| - | 60634800 | 1 | Modanatura serratura Sx. | Moulding for L.H. lock | 68 | 61805600 | 2 | Mostrina | Moulding |
| 58 | 60909500 | 2 | Vite | Screw | 69 | 61811600 | 1 | Asta Dx. | R.H. rod |
| - | 60909600 | 6 | Vite | Screw | - | 61811700 | 1 | Asta Sx. | L.H. rod |
| 59 | 61038000 | 2 | Slitta rullino guidavetro | Slope guiding glass roller | 70 | 61309800 | 2 | Asla posteriore | Rear rod |
| 60 | 60634900 | 2 | Canalino superiore anteriore | Upper and front run channel | 71 | 61924900 | 1 | Pannello Dx. rivestito | R.H. panel with covering |
| 61 | 60635100 | 2 | Canalino post. | Rear run channel | - | 61925000 | 1 | Pannello Sx. rivestito | L.H. panel with covering |
| 62 | 60903900 | 1 | Guarnizione Dx. | Right gasket | - | 61925900 | 1 | Rivestimento Dx. | R.H. covering |
| - | 60904000 | 1 | Guarnizione Sx. | Left gasket | - | 61926000 | 1 | Rivestimento Sx. | L.H. covering |
| 63 | 60788100 | 2 | Fanale porta aperta | Open - door light | 72 | 62301300 | 1 | Base cristallo Dx. | Base for R.H. glass |
| 64 | 101525 | 2 | Lampada | Bulb | - | 62301400 | 1 | Base cristallo Sx. | Base for L.H. glass |
| 65 | 61835200 | 2 | Altoparlante | Loudspeader | | | | | |

(1) Solo per Coupé - (1) - Seulement pour Coupé - (1) - For Coupé only - (2) - Solo per Cabriolet - (2) - Seulement pour Cabriolet - (2) - For Cabriolet only



3MONDIAL
2

PORTE - Cabriolet

DOORS - Cabriolet

TAV. 114

DATA: OTTOBRE 87

53536

TAVOLA 114

| Rif. | Dis. No. Part No. | Q.ty | DENOMINAZIONE | DESCRIPTION | Rif. | Dis. No. Part No. | Q.ty | DENOMINAZIONE | DESCRIPTION |
|------|----------------------|------|--|--|------|----------------------|------|-------------------------------------|-------------------------------------|
| | 61867100 | 1 | Dispositivo alzacristallo Dx. e motore | R.H. lifting assembly and motor | 30 | 61813600 | 2 | Pomello sicura con asta | Knob with rod |
| | 61867200 | 1 | Dispositivo alzacristallo Sx. e motore | L.H. lifting assembly and motor | 31 | 61339000 | 2 | Condotto aria | Air duct |
| 1 | 61841500 | 1 | Porta Dx. - No per USA - SA | R.H. door - Not for US - SA | 32 | 60788100 | 2 | Fanale porta | Door light |
| - | 61841600 | 1 | Porta Sx. - No per USA - SA | L.H. door - Not for US - SA | 33 | 60628500 | 2 | Tappo | Plug |
| - | 61782600 | 1 | Porta Dx. - USA - SA | R.H. door - US - SA | 34 | 60637900 | 2 | Soffietto cavi elettrici | Bellows for electric cables |
| - | 61782700 | 1 | Porta Sx. - USA - SA | L.H. door - US - SA | 35 | 40063208 | 6 | Mollella | Clip |
| 2 | 61757900 | 1 | Cristallo Dx. | R.H. glass | 36 | 60842100 | 2 | Plafoniera | Underdoor lamp |
| - | 61758000 | 1 | Cristallo Sx. | L.H. glass | 37 | 61811600 | 1 | Asta Dx. | R.H. rod |
| 3 | 61182700 | 6 | Vite | Screw | - | 61811700 | 1 | Asta Sx. | L.H. rod |
| 4 | 61875200 | 2 | Interruttore bloccaporta | Door lock switch | 38 | 14577880 | 8 | Mollella | Clip |
| 5 | 15908507 | 4 | Vite | Screw | 39 | 61220500 | 2 | Guarnizione | Gasket |
| 6 | 61816700 | 2 | Mostrina - Fino vettura n. 60047 | Moulding - Until car No. 60047 | 40 | 61757700 | 1 | Terminale superiore Dx. | Upper R.H. terminal |
| - | 61913300 | 2 | Mostrina - Dal vettura n. 60061 | Moulding - From car No. 60061 | - | 61757800 | 1 | Terminale superiore Sx. | Upper L.H. terminal |
| 7 | 61811100 | 2 | Guarnizione | Gasket | 41 | 61220600 | 1 | Modanatura ant. Dx. | Front R.H. moulding |
| 8 | 61217500 | 1 | Guida Dx. | R.H. guide | - | 61220700 | 1 | Modanatura ant. Sx. | Front L.H. moulding |
| - | 61217600 | 1 | Guida Sx. | L.H. guide | 42 | 61425600 | 1 | Modanatura posteriore Dx. | Rear R.H. moulding |
| 9 | 113021 | 6 | Tampone | Pad | - | 61425700 | 1 | Modanatura posteriore Sx. | Rear L.H. moulding |
| 10 | 60896600 | 1 | Moquette Dx. | R.H. moquette | 43 | 60725000 | 2 | Ossatura sostegno guarnizione | Framework |
| - | 60896700 | 1 | Moquette Sx. | L.H. moquette | 44 | 60725100 | 2 | Guarnizione sottoporta | Underdoor gasket |
| 11 | 61351200 | 2 | Guarnizione | Gasket | 45 | 61805400 | 1 | Maniglia interna Dx. | R.H. interior handle |
| 12 | 62302100 | 1 | Motore Dx. | R.H. motor | - | 61805500 | 1 | Maniglia interna Sx. | L.H. interior handle |
| - | 62302200 | 1 | Motore Sx. | L.H. motor | 46 | 61789500 | 2 | Asla anteriore | Front rod |
| 13 | 61780800 | 1 | Pannello Dx. rivestito - Fino vett. n. 60047 | R.H. panel with covering - Until car No. 60047 | 47 | 61611500 | 2 | Mollella | Clip |
| - | 61780900 | 1 | Pannello Sx. rivestito - Fino vett. n. 60047 | L.H. panel with covering - Until car No. 60047 | 48 | 61309800 | 2 | Asta posteriore | Rear rod |
| - | 61913400 | 1 | Pannello Dx. rivestito - Dalla vett. n. 60061 | R.H. panel with covering - From car No. 60061 | 49 | 60088606 | 2 | Manicotto | Sleeve |
| - | 61913500 | 1 | Pannello Sx. rivestito - Dalla vett. n. 60061 | L.H. panel with covering - From car No. 60061 | 50 | 60633300 | 1 | Maniglia esterna Dx. | R.H. outer handle |
| 14 | 60842000 | 2 | Sede plafoniera | Housing for underdoor lamp | - | 60633400 | 1 | Maniglia esterna Sx. | L.H. outer handle |
| 15 | 62375900 | 1 | Alzacristallo Dx. | R.H. lifting assembly | 51 | 61084400 | 2 | Guarnizione | Gasket |
| - | 62376000 | 1 | Alzacristallo Sx. | L.H. lifting assembly | 52 | 60633600 | 2 | Asta sicura | Rod for safety lock |
| 16 | 62302700 | 4 | Vite registro | Adjusting screw | 53 | 60633800 | 2 | Asta maniglia - serratura | Rod handle - lock |
| 17 | 61811300 | 2 | Dispositivo bloccaporta Dopo esaurimento vale n. 62437700 | Locking device for door After exhaustion use no. 62437700 | 54 | 60719100 | 2 | Bloccetto con chiave | Lock with key |
| 18 | 61813500 | 2 | Boccola guida asta sicura | Bush | 55 | 61811400 | 1 | Supporto Dx. | R.H. support |
| 19 | 61835200 | 2 | Altoparlante | Loudspeaker | - | 61811500 | 1 | Supporto Sx. | L.H. support |
| 20 | 101525 | 2 | Lampada | Bulb | 56 | 61775400 | 1 | Serratura Dx. | R.H. lock |
| 21 | 61780400 | 1 | Pannello Dx. rivestito + guarnizione 7 | R.H. panel with covering + gasket 7 | - | 61775500 | 1 | Serratura Sx. | L.H. lock |
| - | 61996500 | 1 | Rivestimento | Covering | 57 | 60634700 | 1 | Modanatura serratura Dx. | Moulding for R.H. lock |
| - | 61780500 | 1 | Pannello Sx. rivestito + guarnizione 7 | L.H. panel with covering + gasket 7 | - | 60634800 | 1 | Modanatura serratura Sx. | Moulding for L.H. lock |
| - | 61696600 | 1 | Rivestimento | Covering | 58 | 60909500 | 2 | Vite | Screw |
| 22 | 61364300 | 1 | Tasca Dx. | R.H. pocket | - | 60909600 | 6 | Vite | Screw |
| - | 61364400 | 1 | Tasca Sx. | L.H. pocket | 59 | 61805600 | 2 | Mostrina | Moulding |
| 23 | 61219900 | 1 | Modanatura Dx. con guarniz. 60637100 | R.H. moulding with gasket 60637100 | 60 | 60635100 | 2 | Canalino ant. | Front gasket |
| - | 61220000 | 1 | Modanatura Sx. con guarniz. 60637100 | L.H. moulding with gasket 60637100 | 61 | 61219800 | 2 | Canalino post. | Rear gasket |
| 24 | 61289700 | 1 | Cristallo fisso Dx. | R.H. fixed glass | 62 | 61090000 | 1 | Specchio Sx. - GS | L.H. mirror - LHD |
| - | 61289800 | 1 | Cristallo fisso Sx. | L.H. fixed glass | - | 61461100 | 1 | Specchio Sx. - GD | L.H. mirror - RHD |
| 25 | 4211210 | 14 | Mollella | Clip | - | 61460900 | 1 | Specchio Dx. - GS - No per USA - SA | R.H. mirror - LHD - Not for US - SA |
| 26 | 61782300 | 1 | Pannello Dx. rivestito - GS | R.H. panel with covering - LHD | - | 61367700 | 1 | Specchio Sx. - USA - SA | R.H. mirror - US - SA |
| - | 61914700 | 1 | Pannello Dx. rivestito - GD | R.H. panel with covering - RHD | - | 61182500 | 1 | Specchio Dx. - GD | R.H. mirror - RHD |
| - | 61781200 | 1 | Pannello Sx. rivestito - GS | L.H. panel with covering - LHD | 63 | 61089900 | 1 | Supporto Sx. | L.H. support |
| - | 61914800 | 1 | Pannello Sx. rivestito - GD | L.H. panel with covering - RHD | - | 61181000 | 1 | Supporto Dx. | R.H. support |
| - | 61967600 | 1 | Rivestimento Sx. | L.H. covering | 64 | 61181200 | 1 | Guarnizione Dx. - GS | R.H. gasket - LHD |
| - | 61395300 | 1 | Rivestimento Dx. | R.H. covering | - | 61182600 | 1 | Guarnizione Dx. - GD | R.H. gasket - RHD |
| 27 | 60921100 | 2 | Tirante arresto porta | Stop tie rod for door | - | 61080500 | 1 | Guarnizione Sx. - GS | L.H. gasket - LHD |
| 28 | 60730200 | 2 | Spina per tirante | Pin for tie - rod | - | 61182400 | 1 | Guarnizione Sx. - GD | L.H. gasket - RHD |
| 29 | 61063200 | 1 | Interruttore specchi | Switch for mirror | 65 | 61867300 | 1 | Base cristallo Dx. | Base, R.H. glass |
| | | | | | - | 61867400 | 1 | Base cristallo Sx. | Base, L.H. glass |

(1) Solo per Coupé (1) - Seulement pour Coupé - (1) - For Coupé only - (2) - Solo per Cabriolet (2) - Seulement pour Cabriolet - (2) - For Cabriolet only

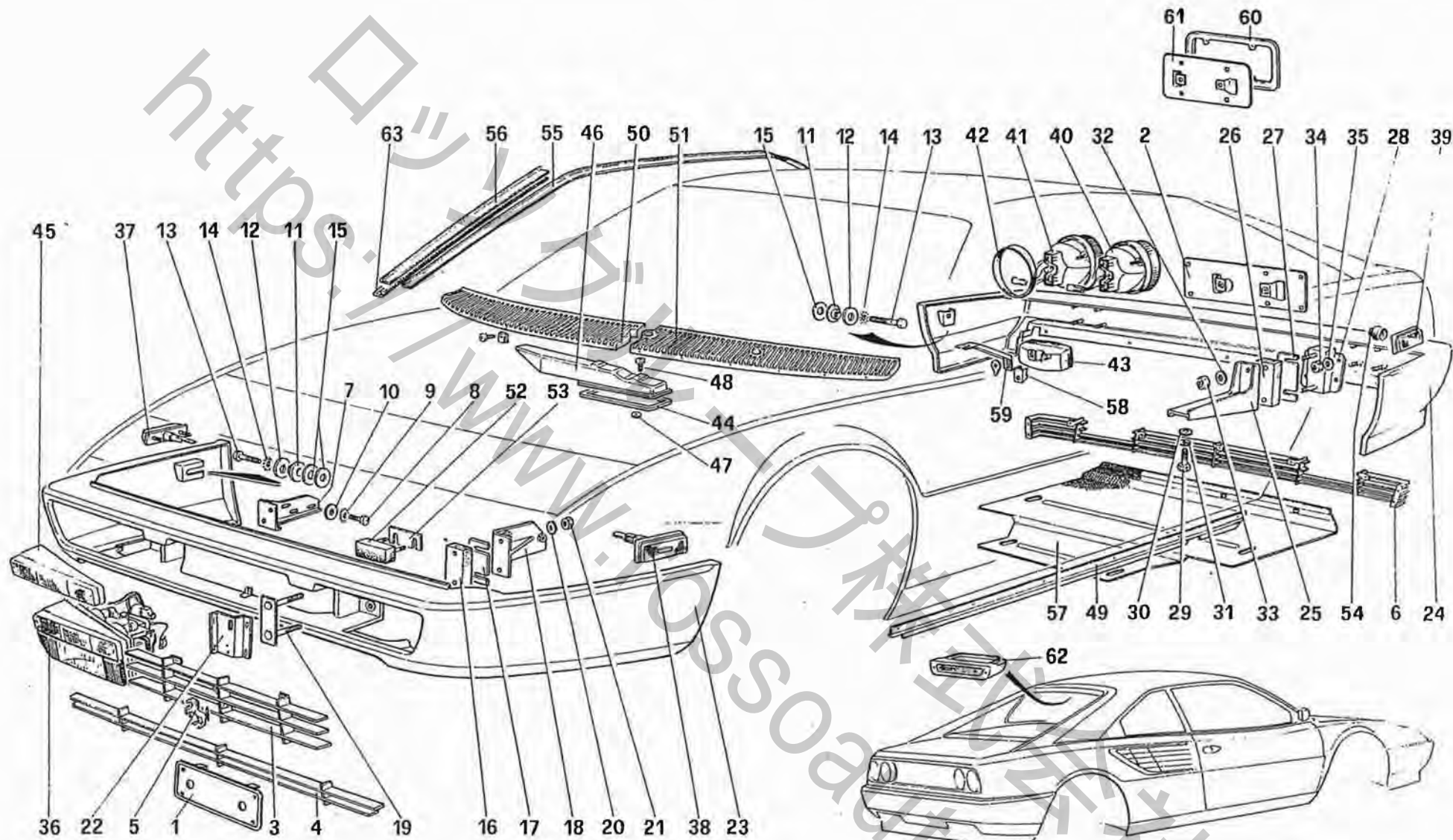
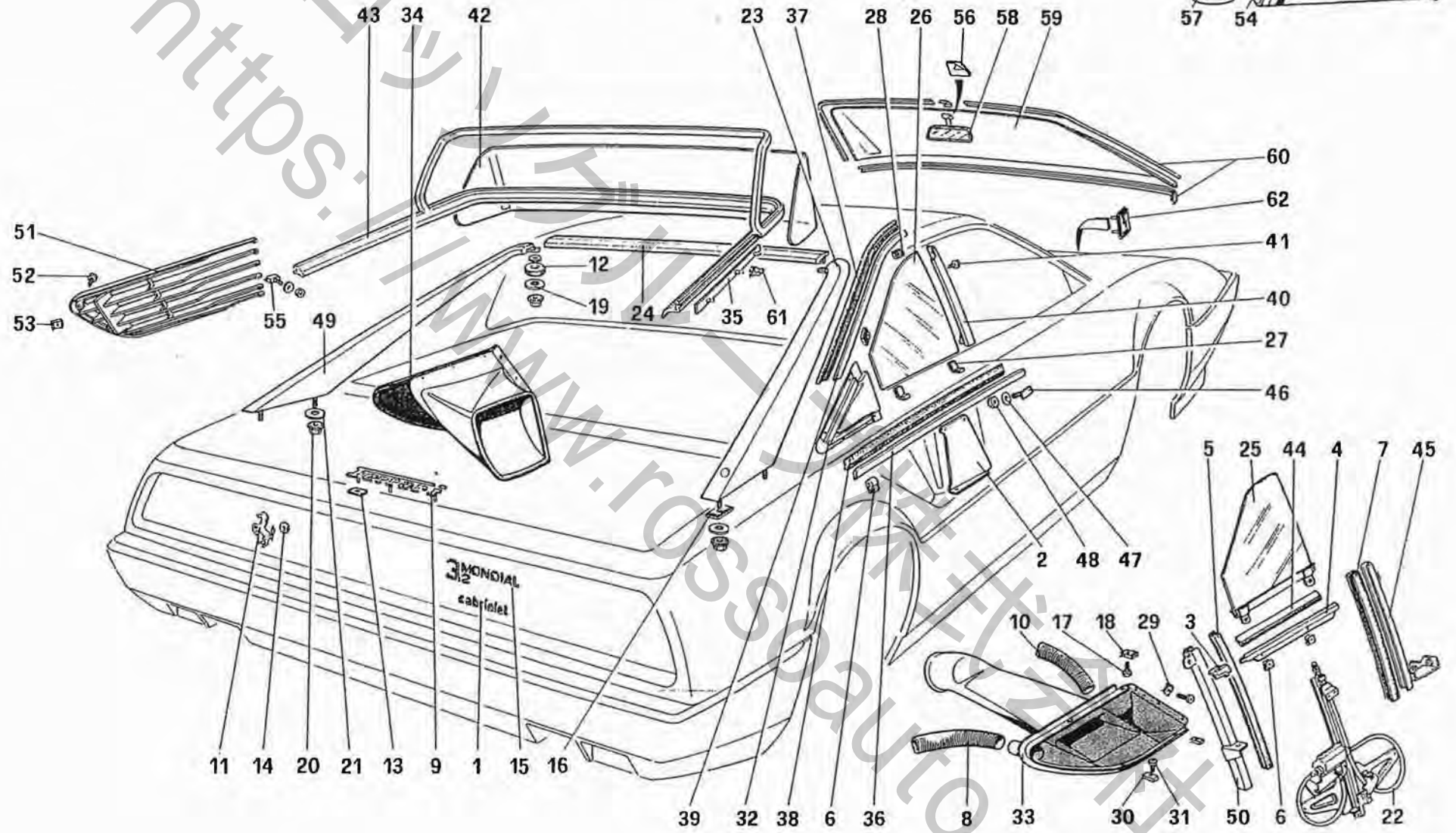


TAVOLA 115

| Rif. | Dis. No. Part No. | Q.ty | DENOMINAZIONE | DESCRIPTION |
|------|----------------------|------|---|--|
| 1 | 61721400 | 1 | Portatarga - No per USA - SA - GD | Support - Not for US - SA - RHD |
| 2 | 60810200 | 1 | Portatarga - No per USA - SA - GD | Support - Not for US - SA - RHD |
| 3 | 61722700 | 1 | Griglia | Grill |
| 4 | 61800500 | 1 | Griglia inferiore | Lower grill |
| 5 | 61739400 | 1 | Cavallino | Horse |
| 6 | 61716500 | 1 | Griglia post. - No per USA - SA - C7 - AUS - C8 | Rear grill - Not for US - SA - C7 - AUS - C8 |
| - | 61729300 | 1 | Griglia post. - USA - SA - AUS | Rear grill - US - SA - AUS |
| - | 61969400 | 1 | Griglia post. - C7 - C8 | Rear grill - C7 - C8 |
| 7 | 60572400 | 1 | Staffa Dx. - No per USA - SA | R.H. bracket - Not for US - SA |
| - | 60572500 | 1 | Staffa Sx. - No per USA - SA | L.H. bracket - Not for US - SA |
| 8 | 16043211 | 1 | Vite - No per USA - SA | Screw - Not for US - SA |
| 9 | 10615671 | 1 | Rondella - No per USA - SA | Washer - Not for US - SA |
| 10 | 12646701 | 1 | Rondella - No per USA - SA | Washer - Not for US - SA |
| 11 | 61693400 | 4 | Boccola Dopo esaurimento vale n. 62428800 | Bush After exhaustion use no. 62428800 |
| 12 | 12646201 | 4 | Rondella | Washer |
| 13 | 16043821 | 4 | Vite | Screw |
| 14 | 10615670 | 4 | Rondella | Washer |
| 15 | 61802800 | 6 | Distanziale | Spacer |
| 16 | 61263600 | 2 | Tampone | Buffer |
| 17 | 60909400 | 2 | Distanziale | Spacer |
| 18 | 61734800 | 1 | Staffa Sx. } Per USA - SA (senza i particolari n. 52 - 53) | L.H. bracket } For US - SA (without n. 52 - 53) |
| - | 61734700 | 1 | Staffa Dx. } | R.H. bracket } |
| 16 | 61934800 | 2 | Tampone | Buffer |
| 17 | 61934700 | 2 | Distanziale } Per USA - SA (con i particolari n. 52 - 53) | Spacer } For US - SA (with particular n. 52 - 53) |
| 18 | 61935000 | 1 | Staffa Sx. } | L.H. bracket } |
| - | 61934900 | 1 | Staffa Dx. } | R.H. bracket } |
| 19 | 61734900 | 2 | Staffa - USA - SA | Bracket - US - SA |
| 20 | 14496609 | 4 | Rondella - USA - SA | Washer - US - SA |
| 21 | 12575621 | 4 | Dado - USA - SA | Nut - US - SA |
| 22 | 61735300 | 1 | Staffa Sx. - USA - SA | L.H. bracket - US - SA |
| - | 61735200 | 1 | Staffa Dx. - USA - SA | R.H. bracket - US - SA |
| 23 | 61704600 | 1 | Paraurti ant. - No per USA - SA | Front bumper - Not for US - SA |
| - | 61729500 | 1 | Paraurti ant. - USA - SA | Front bumper - US - SA |
| 24 | 61704700 | 1 | Paraurti - No per USA - SA AUS - C7 - C8 | Bumper - Not for US - SA - AUS - C7 - C8 |
| - | 61729600 | 1 | Paraurti - USA - SA - AUS | Bumper - US - SA - AUS |
| - | 62348700 | 1 | Paraurti - C7 - C8 | Bumper - C7 - C8 |
| 25 | 61729700 | 1 | Staffa Sx. - USA - SA - AUS | L.H. bracket - US - SA - AUS |
| - | 61969600 | 1 | Staffa Sx. - C7 - C8 | L.H. bracket - C7 - C8 |
| - | 61761700 | 1 | Staffa Dx. - USA - SA - AUS | R.H. bracket - US - SA - AUS |
| - | 61969500 | 1 | Staffa Dx. - C7 - C8 | R.H. bracket - C7 - C8 |
| 26 | 61952500 | 2 | Tampone - USA - SA - AUS | Buffer - US - SA - AUS |
| 27 | 61757000 | 2 | Distanziale - USA - SA - AUS | Spacer - US - SA - AUS |
| 28 | 61729900 | 2 | Staffa - USA - SA - AUS | Bracket - US - SA - AUS |
| - | 61970200 | 2 | Staffa - C7 - C8 | Bracket - C7 - C8 |
| 29 | 15970931 | 4 | Vite - USA - SA - AUS | Screw - US - SA - AUS |
| - | 13006931 | 4 | Vite - C7 - C8 | Screw - C7 - C8 |
| 30 | 14496601 | 4 | Rondella - USA - SA - AUS | Washer - US - SA - AUS |
| - | 12646801 | 4 | Rondella - C7 - C8 | Washer - C7 - C8 |
| 31 | 106853 | 4 | Rondella - USA - SA - AUS - C7 - C8 | Washer - US - SA - AUS - C7 - C8 |

| Rif. | Dis. No. Part No. | Q.ty | DENOMINAZIONE | DESCRIPTION |
|------|----------------------|------|--|---------------------------------------|
| 32 | 12638601 | 4 | Rondella - USA - SA - AUS - C7 | Washer - US - SA - AUS - C7 |
| 33 | 12575611 | 4 | Dado - USA - SA - AUS - C7 | Nut - US - SA - AUS - C7 |
| 34 | 16104121 | 8 | Dado - USA - SA - AUS - C7 - C8 | Nut - US - SA - AUS - C7 - C8 |
| 35 | 10519601 | 8 | Rondella - USA - SA - AUS - C7 - C8 | Washer - US - SA - AUS - C7 - C8 |
| 36 | 61732700 | 1 | Fanale Dx. - No per USA - F - GD - D | R.H. light - Not for US - F - RHD - D |
| - | 61732800 | 1 | Fanale Sx. - No per USA - F - GD - D | L.H. light - Not for US - F - RHD - D |
| - | 61879900 | 1 | Fanale Dx. - GD - D | R.H. light - RHD - D |
| - | 61880000 | 1 | Fanale Sx. - GD - D | L.H. light - RHD - D |
| - | 61902100 | 1 | Fanale Dx. - F | R.H. light - F |
| - | 61902200 | 1 | Fanale Sx. - F | L.H. light - F |
| - | 61797900 | 1 | Fanale Dx. - USA | R.H. light - US |
| - | 61798000 | 1 | Fanale Sx. - USA | L.H. light - US |
| 37 | 60669900 | 2 | Fanale laterale - No per USA | Side light - Not for US |
| 38 | 60780300 | 2 | Side market ant. - USA | Front side market - US |
| 39 | 60780400 | 2 | Side market post. - USA | Rear side market - US |
| 40 | 60669800 | 2 | Fanale post. posizione - No per USA | Rear light position - Not for US |
| - | 60868500 | 2 | Fanale post. posizione - USA | Rear light position - US |
| 41 | 60170206 | 2 | Fanale post; direzione - No per USA | Rear light direction - Not for US |
| - | 60170404 | 2 | Fanale post. direzione - USA | Rear light direction - US |
| 42 | 60592100 | 4 | Guarnizione | Gasket |
| 43 | 60670000 | 2 | Retronebbia - No per USA - SA - AUS | Rear fog - Not for US - SA - AUS |
| 44 | 61088600 | 2 | Guarnizione | Gasket |
| 45 | 61942900 | 1 | Lente Dx. Bianco - arancio | R.H. lens - white - orange |
| - | 61943000 | 1 | Lente Sx. Bianco - arancio | L.H. lens - white - orange |
| - | 61943100 | 1 | Lente Dx. arancio | R.H. lens orange |
| - | 61943200 | 1 | Lente Sx. arancio | L.H. lens orange |
| 46 | 61088500 | 1 | Presaria - GS | Air conveyor - LHD |
| - | 61109900 | 1 | Presaria - GD | Air conveyor - RHD |
| 47 | 60674600 | 2 | Guarnizione | Gasket |
| 48 | 20286209 | 2 | Vite | Screw |
| 49 | 61682200 | 1 | (2) Modanatura Dx. | (2) R.H. moulding |
| - | 61682300 | 1 | (2) Modanatura Sx. | (2) L.H. moulding |
| 50 | 60587500 | 1 | Griglia Dx. - GS | R.H. grill - LHD |
| - | 60587700 | 1 | Griglia Dx. - GD | R.H. grill - RHD |
| 51 | 60587600 | 1 | Griglia Sx. - GS | L.H. grill - LHD |
| - | 60587800 | 1 | Griglia Sx. - GD | L.H. grill - RHD |
| 52 | 61935100 | 2 | Tampone - USA - SA | Buffer - US - SA |
| 53 | 61935200 | 6 | Distanziale - USA - SA | Spacer - US - SA |
| 54 | 108333 | 2 | (2) Protezione - USA | (2) Protection - US |
| 55 | 60967300 | 1 | (1) Grondina Dx. | (1) R.H. roof gutter |
| - | 60967400 | 1 | (1) Grondina Sx. | (1) L.H. roof gutter |
| 56 | 61758100 | 1 | (2) Grondina Dx. | (2) R.H. roof gutter |
| - | 61758200 | 1 | (2) Grondina Sx. | (2) L.H. roof gutter |
| 57 | 61880100 | 1 | Riparo marmitta - USA - C7 - AUS - C8 | Protection - US - C7 - AUS - C8 |
| 58 | 61722400 | 2 | Staffa - No per USA - SA - AUS | Bracket - Not for US - SA - AUS |
| 59 | 60862200 | 2 | Staffa irrigidimento - No per USA - SA - AUS - F | Bracket - Not for US - SA - AUS - F |
| 60 | 60987900 | 2 | Cornice targa ant. e post. - USA | Front and rear plate frame - US |
| 61 | 60960600 | 1 | Supporto targa post. - USA | Rear support number plate - US |
| 62 | 61880300 | 1 | (1) Fanale supplementare stop - USA | (1) Stop lamp - US |
| 63 | 61758300 | 1 | (2) Guarnizione | (2) Gasket |

(1) Solo per Coupé (1) - Seulement pour Coupé (1) - For Coupé only (2) - Solo per Cabriolet (2) - Seulement pour Cabriolet (2) - For Cabriolet only



3MONDIAL
2

CRISTALLI
GLASSES

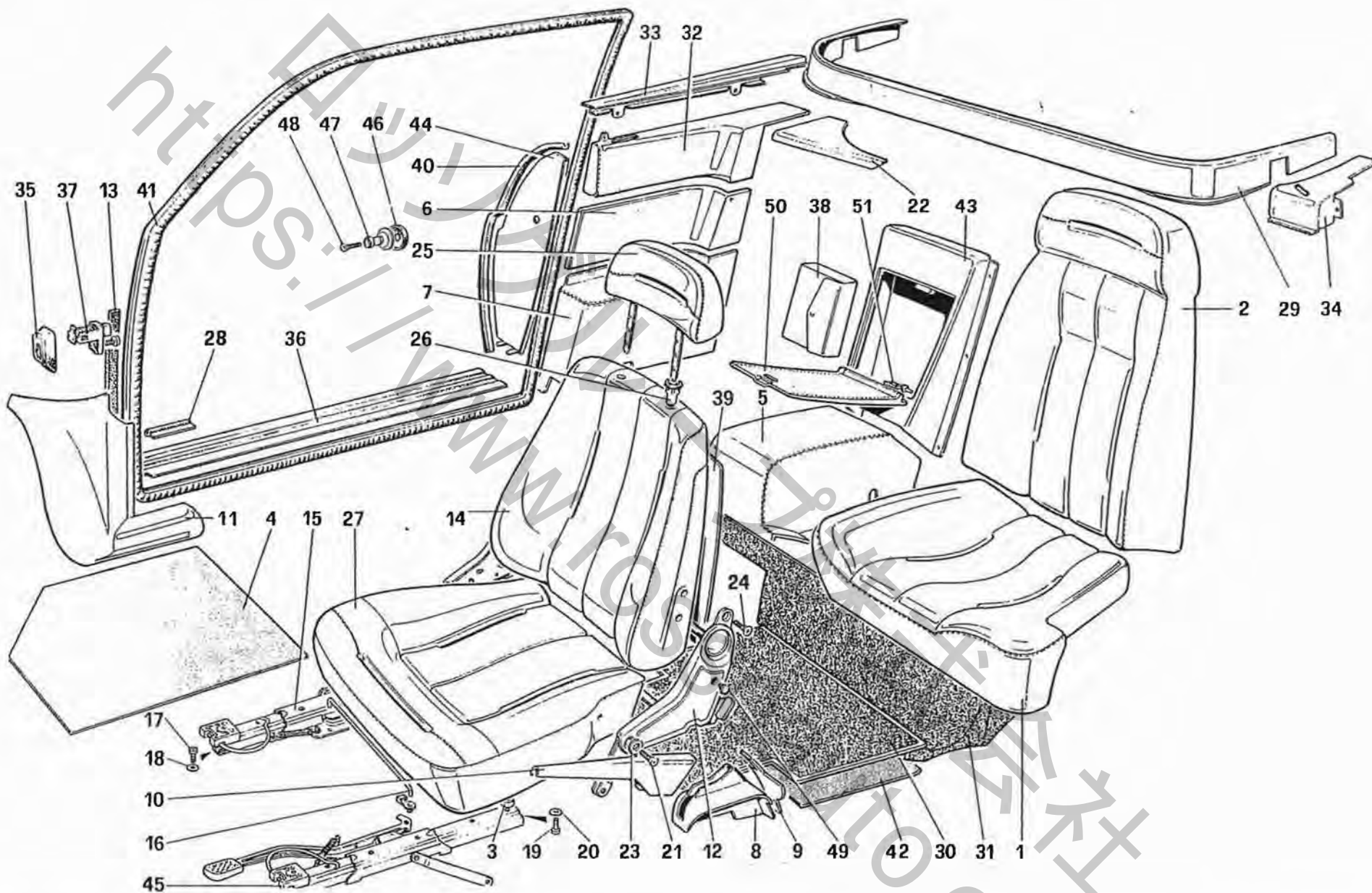
TAV. 116
DATA: OTTOBRE 87

54516

TAVOLA 116

| Rif. | Dis. No. Part No. | Q.ty | DENOMINAZIONE | DESCRIPTION | Rif. | Dis. No. Part No. | Q.ty | DENOMINAZIONE | DESCRIPTION |
|------|----------------------|------|--|--|------|----------------------|------|------------------------------------|-----------------------------------|
| 1 | 61341100 | 1 | Sigla Cabriolet | Cabriolet name | - | 62361200 | 1 | (2) Presa aria Dx. - C7 - C8 | (2) R.H. air intake - C7 - C8 |
| 2 | 61783700 | 1 | (2) Riporto presa aria Dx. | (2) Insert for R.H. air intake | 34 | 61779700 | 1 | (1) Presa aria Sx. | (1) L.H. air intake |
| - | 61783800 | 1 | (2) Riporto presa aria Sx. | (2) Insert for L.H. air intake | - | 61862900 | 2 | (2) Presa aria Sx. | (2) L.H. air intake |
| 3 | 61424800 | 1 | (2) Terminale modanatura Dx. | (2) Terminal R.H. moulding | 35 | 60846900 | 1 | (1) Profilo fiss. lunotto | (1) Moulding for gasket |
| - | 61424900 | 1 | (2) Terminale modanatura Sx. | (2) Terminal L.H. moulding | 36 | 60672600 | 1 | (1) Modanatura inferiore Dx. | (1) R.H. moulding |
| 4 | 61297700 | 1 | (2) Modanatura Dx. | (2) R.H. moulding | - | 60672700 | 2 | (1) Modanatura inferiore Sx. | (1) L.H. moulding |
| - | 61297800 | 1 | (2) Modanatura Sx. | (2) L.H. moulding | 37 | 60970600 | 2 | (1) Guarnizione superiore | (1) Upper gasket |
| 5 | 60676600 | 2 | Barattolo primer fiss. parabrezza | Can of primer | 38 | 60664800 | 1 | (1) Guarnizione inferiore | (1) Lower gasket |
| 6 | 42112100 | 10 | (1) Molletta | (1) Clip | 39 | 60665100 | 1 | (1) Cornice superiore Dx. | (1) Upper R.H. frame |
| 7 | 61295000 | 4 | (2) Guarnizione | (2) Gasket | - | 60665200 | 1 | (1) Cornice superiore Sx. | (1) Upper L.H. frame |
| 8 | 61137200 | 1 | Tubo al collettore scarico | Pipe | 40 | 60671600 | 1 | (1) Modanatura montante Dx. | (1) Moulding for R.H. post. |
| 9 | 61025000 | 1 | Sigla Ferrari | Ferrari name | - | 60671700 | 1 | (1) Modanatura montante Sx. | (1) Moulding for L.H. post. |
| 10 | 61203100 | 1 | Tubo al collettore scarico ant. | Pipe | 41 | 15692178 | 6 | (1) Vite | (1) Screw |
| 11 | 60032109 | 1 | Cavallino posteriore | Rear horse | 42 | 60695000 | 1 | (1) Lunotto | (1) Rear window |
| 12 | 60920000 | 3 | Rondella in gomma | Rubber washer | - | - | - | Dopo esaurimento vale n. 61896400 | After exhaustion use no. 61896400 |
| 13 | 60324506 | 2 | Molletta | Clip | 43 | 60854400 | 1 | (1) Guarnizione lunotto | (1) Gasket for rear window |
| 14 | 60995100 | 4 | Anello di tenuta | Gasket | 44 | 61293600 | 1 | (2) Guarnizione Dx. | (2) R.H. gasket |
| 15 | 61835000 | 1 | Sigla 3.2 Mondial | 3.2 Mondial name | - | 61293700 | 1 | (2) Guarnizione Sx. | (2) L.H. gasket |
| 16 | 60995400 | 4 | Guarnizione | Gasket | 45 | 61294000 | 1 | (2) Guida ant. Dx. | (2) R.H. front guide |
| 17 | 60740700 | 4 | Vite | Screw | - | 61294100 | 1 | (2) Guida ant. Sx. | (2) L.H. front guide |
| 18 | 60740800 | 4 | Molletta | Clip | 46 | 60707200 | 4 | (1) Piastrina con vite | (1) Plate with screw |
| 19 | 60580900 | 2 | (1) Rondella in gomma | (1) Rubber washer | 47 | 12642801 | 4 | (1) Rondella | (1) Washer |
| 20 | 13832101 | 7 | (1) Dado | (1) Nut | 48 | 10794011 | 16 | Dado - Per Cabriolet q. = 12 | Nut - For Cabriolet q.ty 12 |
| 21 | 12643701 | 7 | (1) Rondella | (1) Washer | 49 | 60578300 | 1 | (1) Gomma pinna Sx. | (1) Rubber for L.H. fins |
| 22 | 61703000 | 1 | (2) Motore alzatastro Dx. | (2) R.H. window motor | 50 | 61294200 | 1 | (2) Guida post. Dx. | (2) R.H. rear guide |
| - | 61703100 | 1 | (2) Motore alzatastro Sx. | (2) L.H. window motor | - | 61294300 | 1 | (2) Guida post. Sx. | (2) L.H. rear guide |
| 23 | 60578200 | 1 | (1) Gomma pinna Dx. | (1) Rubber for R.H. fins | 51 | 61780000 | 1 | (1) Griglia Dx. | (1) R.H. grill |
| 24 | 60578100 | 1 | (1) Gomma post. padiglione | (1) Rear rubber for roof | - | 61780100 | 1 | (1) Griglia Sx. | (1) L.H. grill |
| 25 | 61757200 | 1 | (2) Cristallo Dx. | (2) R.H. glass | - | 61807400 | 1 | (2) Griglia Dx. | (2) R.H. grill |
| - | 61757300 | 1 | (2) Cristallo Sx. | (2) L.H. glass | - | 61807500 | 1 | (2) Griglia Sx. | (2) L.H. grill |
| 26 | 60637500 | 1 | (1) Cristallo Dx. | (1) R.H. glass | 52 | 15903378 | 2 | Vite | Screw |
| - | 60637600 | 1 | (1) Cristallo Sx. | (1) L.H. glass | 53 | 60644500 | 2 | Molletta | Clip |
| 27 | 60743700 | 4 | (1) Gommino inferiore | (1) Lower grommet | 54 | 60676600 | 1 | Cartuccia parabrezza | Cartridge fixing windshield glass |
| 28 | 60743800 | 4 | (1) Gommino superiore | (1) Upper grommet | 55 | 60904900 | 2 | Piastrina | Plate |
| 29 | 60714300 | 6 | Molletta | Clip | 56 | 60715400 | 1 | Adesivo retrovisore | Adhesive for interior mirror |
| 30 | 60674700 | 6 | Molletta | Clip | 57 | 60776800 | 2 | Scatola primer | Primer box |
| 31 | 15688306 | 12 | Vite | Screw | 58 | 60715300 | 1 | Specchio interno | Interior mirror |
| 32 | 61947500 | 1 | (1) Flap Dx. | (1) R.H. flap | 59 | 60637700 | 1 | Cristallo parabrezza | Windshield glass |
| - | 61944900 | 1 | (1) Flap Sx. | (1) L.H. flap | 60 | 60998800 | 1 | Modanatura completa per parabrezza | Complete moulding for windshield |
| 33 | 61863100 | 1 | Presa aria Dx. - No per C6 - C7 - C8 | R.H. air intake - Not for C6 - C7 - C8 | 61 | 60109907 | 6 | (1) Molletta | (1) Clip |
| - | 61968500 | 1 | (1) Presa aria Dx. - C6 | (1) R.H. air intake - C6 | 62 | 60795400 | 1 | Fregio anteriore | Front ornament |
| - | 62361000 | 1 | (1) Presa aria Dx. - C7 - C8 | (1) R.H. air intake - C7 - C8 | | | | | |
| - | 61225500 | 1 | (2) Presa aria Dx. - No per C6 - C7 - C8 | (2) R.H. air intake - Not for C6 - C7 - C8 | | | | | |
| - | 61935300 | 1 | (2) Presa aria Dx. - C6 | (2) R.H. air intake - C6 | | | | | |

(1) Solo per Coupé - (1) - Seulement pour Coupé - (1) - For Coupé only - (2) - Solo per Cabriolet - (2) - Seulement pour Cabriolet - (2) - For Cabriolet only



3.2 MONDIAL

SEDILI- 3.2 Mondial Coupé

SEATS - 3.2 Mondial Coupé

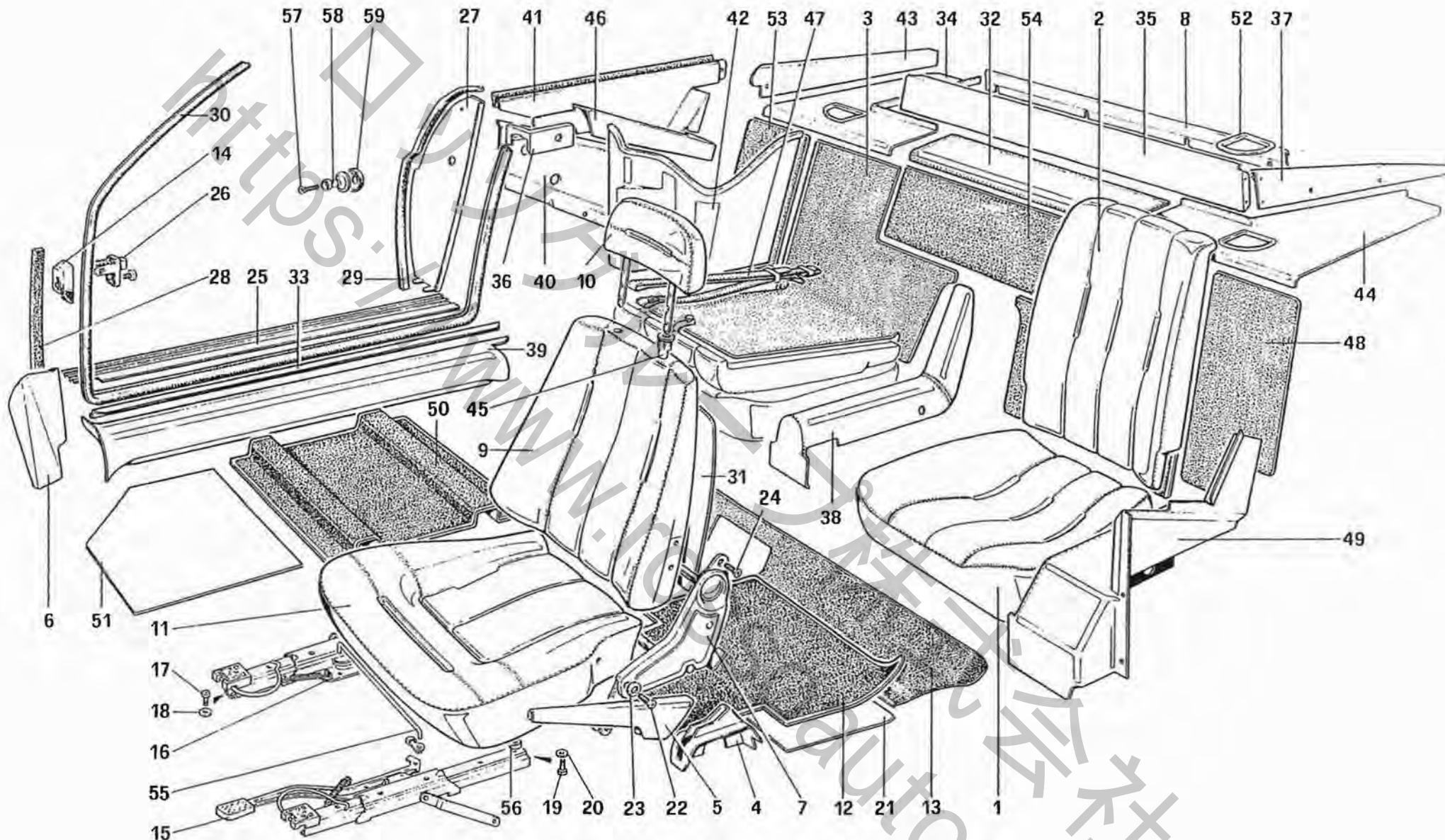
TAV. 117

DATA: OTTOBRE 87

TAVOLA 117

| Rif. | Dis. No. Part No. | Q.ty | DENOMINAZIONE | DESCRIPTION | Rif. | Dis. No. Part No. | Q.ty | DENOMINAZIONE | DESCRIPTION |
|------|----------------------|------|---|---|------|----------------------|------|---|---|
| | 61711700 | 1 | Sedile ant. Dx. completo Fino vet. 71879 - No per AUS | Front R.H. seat complete Until car 71879 - Not for AUS | 18 | 11193870 | 8 | Rondella | Washer |
| | 61711800 | 1 | Sedile ant. Sx. completo Fino vet. 71879 - No per AUS | Front R.H. seat complete Until car 71879 - Not for AUS | 19 | 14305320 | 8 | Vite | Screw |
| | 62362900 | 1 | Sedile ant. Dx. completo Dalla vet. 71913 - No per AUS | Front R.H. seat complete From car 71913 - Not for AUS | 20 | 11197770 | 8 | Rondella | Washer |
| | 62363000 | 1 | Sedile ant. Sx. completo Dalla vet. 71913 - No per AUS | Front L.H. seat complete From car 71913 - Not for AUS | 21 | 60719800 | 4 | Vite | Screw |
| | 61961900 | 1 | Sedile ant. Dx. completo Fino vet. 71879 - AUS | Front R.H. seat complete Until car 71879 - AUS | 22 | 61190000 | 1 | Ossatura Sx. post. rivestita | L.H. rear framework with covering |
| | 61962000 | 1 | Sedile ant. Sx. completo Fino vet. 71879 - AUS | Front L.H. seat complete Until car 71879 - AUS | - | 61190200 | 1 | Ossatura Dx. post. rivestita | R.H. rear framework with covering |
| | 62371300 | 1 | Sedile ant. Dx. completo Dalla vet. 71913 - AUS | Front R.H. seat complete From car 71913 - AUS | 23 | 12520302 | 4 | Rondella fiss. regolatore | Washer |
| | 62371400 | 1 | Sedile ant. Sx. completo Dalla vet. 71913 - AUS | Front L.H. seat complete From car 71913 - AUS | 24 | 50206507 | 4 | Vite fiss. regolatore | Screw |
| 1 | 61176300 | 1 | Cuscino post. Dx. rivestito | R.H. seat cushion with covering | 25 | 60667400 | 2 | Appoggiatesta rivestito | Headrest with covering |
| - | 61176400 | 1 | Cuscino post. Sx. rivestito | L.H. seat cushion with covering | - | 61961600 | 2 | Appoggiatesta rivestito - AUS | Headrest with covering - AUS |
| - | 61170000 | 1 | Rivestimento Dx. | R.H. covering | - | 60820800 | 2 | Rivestimento | Covering |
| - | 61177100 | 1 | Rivestimento Sx. | L.H. covering | 26 | 20058905 | 4 | Boccola per appoggiatesta | Bush |
| 2 | 61176500 | 2 | Schienale post. rivestito - No per AUS | Rear seat squab with covering - Not for AUS | 27 | 61711900 | 2 | Cuscino ant. rivestito - Fino vet. 71879 | Front cushion with covering - Until car 71879 |
| - | 61177200 | 2 | Rivestimento - No per AUS | Covering - Not for AUS | - | 60905200 | 2 | Rivestimento - Fino vet. 71879 | Covering - Until car 71879 |
| - | 61045800 | 1 | Schienale post. rivestito Dx. - AUS | R.H. rear seat squab with covering - AUS | - | 62363800 | 2 | Cuscino ant. rivestito - Dalla vet. 71913 | Front cushion with covering - From car 71913 |
| - | 61045900 | 1 | Schienale post. rivestito Sx. - AUS | L.H. rear seat squab with covering - AUS | - | 62363700 | 2 | Rivestimento - Dalla vet. 71913 | Covering - From car 71913 |
| - | 61046100 | 2 | Rivestimento | Covering | 28 | 60904200 | 2 | Guarnizione esterna sottoporta | Gasket |
| 3 | 61607000 | 4 | Boccola | Bush | 29 | 61186500 | 1 | Ossatura sottolunotto rivestita | Framework with covering |
| 4 | 61601300 | 1 | Sotto tappeto ant. Dx. - GS | R.H. front under carpet - LHD | 30 | 60782200 | 1 | Tappeto post. lato pilota - GS | Rear carpet side driver - LHD |
| - | 61601400 | 1 | Sotto tappeto ant. Sx. - GS | L.H. front under carpet - LHD | - | 60785100 | 1 | Tappeto post. lato pilota - GD | Rear carpet side driver - RHD |
| - | 61601600 | 1 | Sotto tappeto ant. Dx. - GD | R.H. front under carpet - RHD | - | 60783400 | 1 | Tappeto post. lato passeggero - GS | Rear carpet side passenger - LHD |
| - | 61601700 | 1 | Sotto tappeto ant. Sx. - GD | L.H. front under carpet - RHD | - | 60786200 | 1 | Tappeto post. lato passeggero - GD | Rear carpet side passenger - RHD |
| 5 | 61162800 | 1 | Ossatura inferiore rivestita | Lower framework with covering | 31 | 60782800 | 1 | Tappeto verticale posteriore - GS | Rear vertical carpet - LHD |
| 6 | 61163000 | 1 | Ossatura superiore Sx. rivestita | L.H. framework with covering | - | 60785700 | 1 | Tappeto verticale posteriore - GD | Rear vertical carpet - RHD |
| - | 61163200 | 1 | Ossatura superiore Dx. rivestita | R.H. framework with covering | 32 | 61189900 | 1 | Ossatura Sx. rivestita | L.H. framework with covering |
| 7 | 61163500 | 1 | Appoggiabraccia rivestito Sx. | L.H. framework with covering | - | 61190100 | 1 | Ossatura Dx. rivestita | R.H. framework with covering |
| - | 61163700 | 1 | Appoggiabraccia rivestito Dx. | R.H. framework with covering | 33 | 61190400 | 1 | Modanatura Sx. | L.H. moulding |
| - | 61163600 | 1 | Rivestimento Sx. | L.H. covering | - | 61190900 | 1 | Modanatura Dx. | R.H. moulding |
| - | 61163800 | 1 | Rivestimento Dx. | R.H. covering | 34 | 61183800 | 1 | Scatolato cintura post. Sx. | Cover for left rear belt |
| 8 | 61164000 | 1 | Copertura rivestita - GS | Framework with covering - LHD | - | 61184000 | 1 | Scatolato cintura post. Dx. | Cover for right rear belt |
| - | 61316000 | 1 | Rivestimento con part. 9 - GS | Covering with rubber 9 - LHD | 35 | 50313300 | 2 | Guarnizione interruttore - Per USA q = 3 | Gasket for switch - For US q ty 3 |
| - | 61164700 | 1 | Copertura rivestita - GD | Framework with covering - RHD | 36 | 60674900 | 1 | Modanatura Sx. sottoporta | L.H. moulding underdoor |
| - | 61316100 | 1 | Rivestimento con part. 9 - GD | Covering with rubber 9 - RHD | - | 60675000 | 1 | Modanatura Dx. sottoporta | R.H. moulding underdoor |
| 9 | 61165500 | 1 | Protezione - GS | Protection - LHD | 37 | 50313204 | 2 | Interruttore luce - Per USA q = 3 | Switch - For US q ty 3 |
| - | 61165000 | 1 | Protezione - GD | Protection - RHD | 38 | 61185900 | 1 | Borsa antinfortunistica - No per USA | First aid kit - Not for US |
| 10 | 60727000 | 1 | Rivestimento leva freno | Covering for brake lever | 39 | 60689200 | 1 | Paratia rivestita post. sedile | Panel seat with covering |
| 11 | 61184600 | 1 | Copritubi Dx. | R.H. covering tubes | - | 60905300 | 2 | Rivestimento | Covering |
| - | 60733400 | 1 | Copritubi Sx. | L.H. covering tubes | 40 | 60726300 | 2 | Guarnizione | Gasket |
| 12 | 61438200 | 1 | Regolatore sedile Dx. | Adjuster for R.H. seat | 41 | 60924000 | 1 | Guarnizione Sx. | L.H. gasket |
| - | 61437900 | 1 | Regolatore sedile Sx. | Adjuster for L.H. seat | - | 60924100 | 1 | Guarnizione Dx. | R.H. gasket |
| 13 | 61859000 | 2 | Guarnizione | Gasket | 42 | 61601500 | 2 | Sotto tappeto post. - GS | Rear under carpet - LHD |
| 14 | 60872200 | 2 | Schienale ant. rivestito | Front seat squab with covering | - | 61601800 | 2 | Sotto tappeto post. - GD | Rear under carpet - RHD |
| - | 60905100 | 2 | Rivestimento | Covering | 43 | 61152900 | 1 | Portacarte con part. 50 - 51 - 52 | Rear glove box, with parts 50 - 51 - 52 |
| 15 | 61711400 | 2 | Guida Dx. | Right guide | 44 | 60726400 | 1 | Montante Dx. | Right pillar |
| 16 | 61607100 | 2 | Asta collegamento guide | Rod for guides | - | 60726500 | 1 | Montante Sx. | Left pillar |
| 17 | 20293306 | 8 | Vite | Screw | 45 | 61711500 | 2 | Guida Sx. | Left guide |
| | | | | | 46 | 60775900 | 2 | Guarnizione | Gasket |
| | | | | | 47 | 60670100 | 2 | Perno scontrino serratura | Pin for lock stricket |
| | | | | | 48 | 60673700 | 2 | Vite | Screw |
| | | | | | 49 | 62355500 | 4 | Tappo regolatore | Plug |
| | | | | | 50 | 61153000 | 1 | Coperchio | Cover |
| | | | | | 51 | 61153300 | 1 | Cerniera Dx. coperchio | R.H. hinge for cover |
| | | | | | - | 61192600 | 1 | Cerniera Sx. coperchio | L.H. hinge for cover |

(1) Solo per Coupé (1) - Seulement pour Coupé - (1) - For Coupé only - (2) - Solo per Cabriolet (2) - Seulement pour Cabriolet - (2) - For Cabriolet only



3MONDIAL
2

SEDILI - Cabriolet

SEATS - Cabriolet

TAV. 118

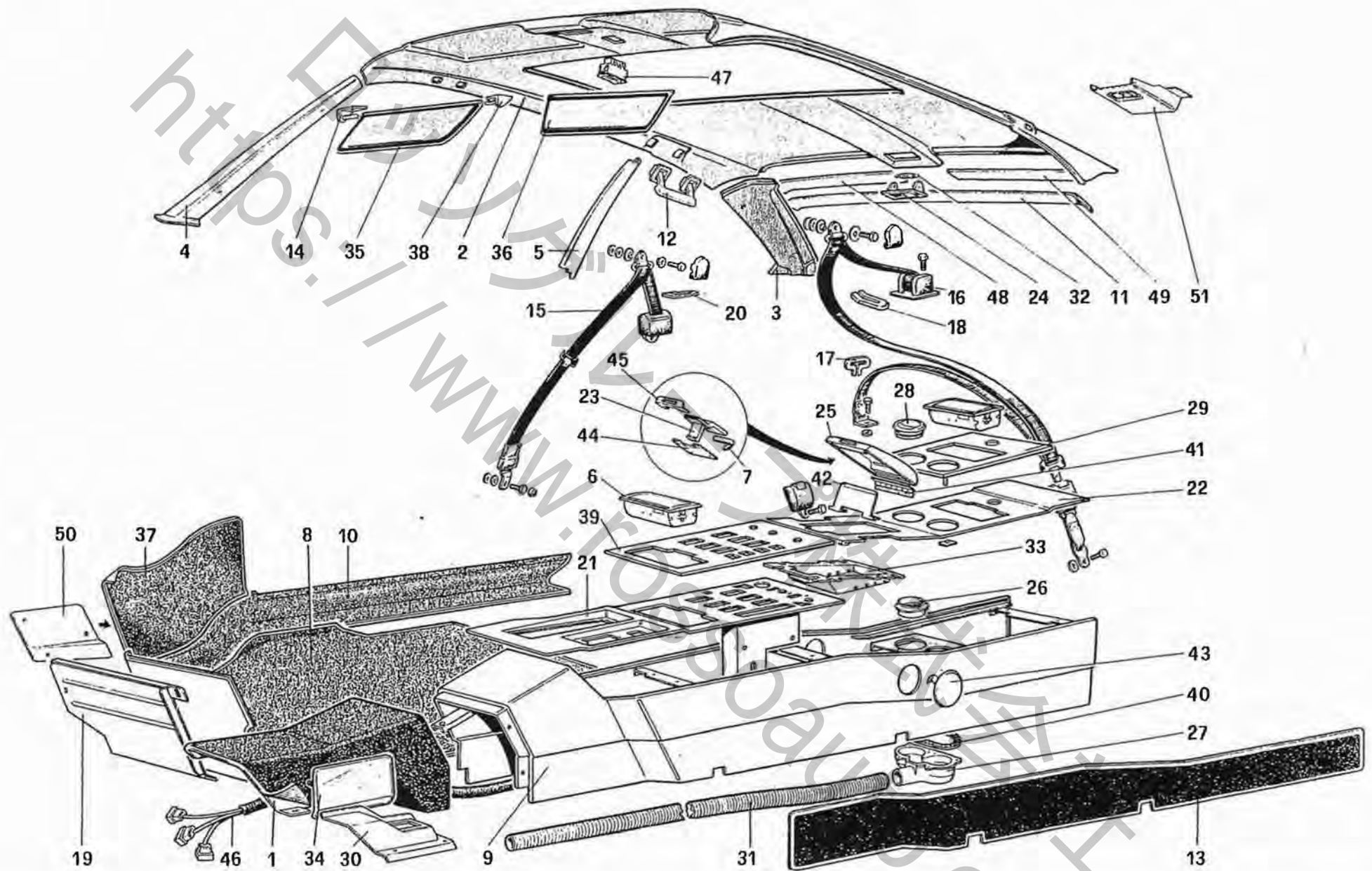
DATA: OTTOBRE 87

TAVOLA 118

| Rif. | Dis. No. Part No. | Q.ty | DENOMINAZIONE | DESCRIPTION | Rif. | Dis. No. Part No. | Q.ty | DENOMINAZIONE | DESCRIPTION |
|------|----------------------|------|--|---|------|----------------------|------|--|---|
| 1 | 61222600 | 1 | Cuscino Dx. rivestito - No per USA | Cushion R.H. with covering - Not for US | 30 | 60924100 | 1 | Guarnizione Dx. | R.H. gasket |
| - | 61763900 | 1 | Cuscino Dx. rivestito - USA | Cushion R.H. with covering - US | - | 60924000 | 1 | Guarnizione Sx. | L.H. gasket |
| - | 61222700 | 1 | Cuscino Sx. rivestito - No per USA | Cushion L.H. with covering - Not for US | 31 | 61330500 | 2 | Paralia rivestita post. sedile | Panel with covering |
| - | 61764000 | 1 | Cuscino Sx. rivestito - USA | Cushion L.H. with covering - US | - | 61331000 | 2 | Rivestimento | Covering |
| - | 61225000 | 2 | Rivestimento | Covering | 32 | 61977000 | 1 | Rivestimento | Covering |
| 2 | 61222800 | 1 | Schienale post. rivestito Sx. | Rear R.H. seat squab with covering | 33 | 61682100 | 1 | Modanatura Dx. | R.H. moulding |
| - | 61222900 | 1 | Schienale post. rivestito Sx. | Rear L.H. seat squab with covering | - | 61682000 | 1 | Modanatura Sx. | L.H. moulding |
| - | 61225200 | 2 | Rivestimento | Covering | 34 | 61312500 | 1 | Modanatura Dx. rivestita | R.H. moulding with covering |
| 3 | 61702300 | 1 | Tappeto post. sedile Dx. | Rear carpet for R.H. seat | 35 | 61237100 | 1 | Modanatura rivestita | Moulding with covering |
| - | 61702200 | 1 | Tappeto post. sedile Sx. | Rear carpet for L.H. seat | 36 | 61240900 | 1 | Protezione Dx. | R.H. protection |
| 4 | 61231800 | 1 | Ossatura coprifreno rivestita - GS | Framework with covering - LHD | - | 61241000 | 1 | Protezione Sx. | L.H. protection |
| - | 61232000 | 1 | Rivestimento - GS | Covering - LHD | 37 | 61239100 | 1 | Modanatura Dx. rivestita | R.H. moulding with covering |
| - | 61451000 | 1 | Ossatura coprifreno rivestita - GD | Framework with covering - RHD | - | 61239600 | 1 | Modanatura Sx. rivestita | L.H. moulding with covering |
| - | 61451200 | 1 | Rivestimento - GD | Covering - RHD | 38 | 61236000 | 1 | Ossatura rivestita - No per USA | Spacer with covering - Not for US |
| 5 | 60727000 | 1 | Rivestimento leva freno | Covering | - | 61765300 | 1 | Ossatura rivestita - USA | Spacer with covering - US |
| 6 | 61332500 | 1 | Paralia Dx. copritubi | R.H. shield panel covering tubes | 39 | 61234600 | 1 | Ossatura Dx. rivestita - GS - No per USA | R.H. panel with covering - LHD - Not for US |
| - | 61332600 | 1 | Paralia Sx. copritubi | L.H. shield panel covering tubes | - | 61765500 | 1 | Ossatura Dx. rivestita - USA | R.H. panel with covering - US |
| 7 | 61438200 | 1 | Regolatore sedile Dx. | Adjuster for R.H. seat | - | 61976200 | 1 | Ossatura Dx. rivestita - GD | R.H. panel with covering - RHD |
| - | 61437900 | 1 | Regolatore sedile Sx. | Adjuster for L.H. seat | - | 61234700 | 1 | Ossatura Sx. rivestita - GS - No per USA | L.H. panel with covering - LHD - Not for US |
| 8 | 61251900 | 1 | Elemento centrale fiss. capote | Panel fixing capote | - | 61765600 | 1 | Ossatura Sx. rivestita - USA | L.H. panel with covering - US |
| 9 | 61221600 | 2 | Schienale ant. rivestito | Front squab with covering | - | 61605000 | 1 | Ossatura Sx. rivestita - GD | L.H. panel with covering - RHD |
| - | 61221900 | 2 | Rivestimento | Covering | 40 | 61233400 | 1 | Protezione Dx. rivestita | R.H. protection with covering |
| 10 | 61222300 | 2 | Appoggiatesta | Headrest | - | 61233500 | 1 | Protezione Sx. rivestita | L.H. protection with covering |
| - | 61438300 | 1 | Sedile ant. Dx. completo - Fino vett. 71879 | Front R.H. seat complete - Until car 71879 | 41 | 61949100 | 1 | Ossatura Dx. rivestita + guarnizione | R.H. panel with covering + gasket |
| - | 61438400 | 1 | Sedile ant. Sx. completo - Fino vett. 71879 | Front L.H. seat complete - Until car 71879 | - | 61949200 | 1 | Ossatura Sx. rivestita + guarnizione | L.H. panel with covering + gasket |
| - | 62364300 | 1 | Sedile ant. Dx. completo - Dalla vett. 71881 | Front R.H. seat complete - From car 71881 | - | 61948600 | 2 | Guarnizione | Gasket |
| - | 62364400 | 1 | Sedile ant. Sx. completo - Dalla vett. 71881 | Front L.H. seat complete - From car 71881 | 42 | 61232800 | 1 | Ossatura Dx. rivestita | R.H. panel with covering |
| 11 | 61221500 | 2 | Cuscino ant. rivestito - Fino vett. 71879 | Front cushion with covering - Until car 71879 | - | 61232900 | 1 | Ossatura Sx. rivestita | L.H. panel with covering |
| - | 60905200 | 2 | Rivestimento - Fino vett. 71879 | Covering - Until car 71879 | 43 | 61239900 | 1 | Modanatura Dx. rivestita | R.H. moulding with covering |
| - | 62364500 | 2 | Cuscino ant. rivestito - Dalla vett. 71881 | Front cushion with covering - From car 71881 | - | 61240400 | 1 | Modanatura Sx. rivestita | L.H. moulding with covering |
| - | 62363700 | 2 | Rivestimento - Dalla vett. 71881 | Covering - From car 71881 | 44 | 61312600 | 1 | Modanatura Sx. rivestita | L.H. moulding with covering |
| 12 | 61230300 | 1 | Tappeto post. passeggero - GS | Rear carpet for passenger - LHD | 45 | 20056905 | 4 | Boccola appoggiatesta | Bush |
| - | 61441700 | 1 | Tappeto post. passeggero - GD | Rear carpet for passenger - RHD | 46 | 61336700 | 1 | Ossatura Dx. rivestita | R.H. framework with covering |
| - | 61229100 | 1 | Tappeto post. lato pilota - GS | Rear carpet side driver - LHD | - | 61336800 | 1 | Ossatura Sx. rivestita | L.H. framework with covering |
| - | 61441000 | 1 | Tappeto post. lato pilota - GD | Rear carpet side driver - RHD | 47 | 61359100 | 4 | Cintura | Belt |
| 13 | 61765200 | 1 | Tappeto - GS | Carpet - LHD | 48 | 61413200 | 1 | Tappeto | Carpet |
| - | 61441200 | 1 | Tappeto - GD | Carpet - RHD | 49 | 61232200 | 1 | Appoggiabraccia Dx. rivestito - No per USA | R.H. armrest with covering - Not for US |
| 14 | 50313303 | - | Guarnizione | Gasket | - | 61764900 | 1 | Appoggiabraccia Dx. rivestito - USA | R.H. armrest with covering - US |
| 15 | 61436700 | 2 | Guida Sx. sedile | L.H. guide for seat | - | 61232300 | 1 | Appoggiabraccia Sx. rivestito - No per USA | L.H. armrest with covering - Not for US |
| 16 | 61436900 | 2 | Guida Dx. sedile | R.H. guide for seat | - | 61766000 | 1 | Appoggiabraccia Sx. rivestito - USA | L.H. armrest with covering - US |
| 17 | 20293306 | 2 | Vite | Screw | 50 | 61412700 | 1 | Tappeto Dx. - GS | R.H. carpet - LHD |
| 18 | 11193870 | 8 | Rondella | Washer | - | 61413000 | 1 | Tappeto Sx. - GS | L.H. carpet - LHD |
| 19 | 14305320 | 8 | Vite | Screw | - | 61978000 | 1 | Tappeto Dx. - GD | R.H. carpet - RHD |
| 20 | 11197770 | 8 | Rondella | Washer | - | 61412700 | 1 | Tappeto Sx. - GD | L.H. carpet - RHD |
| 21 | 61602100 | 2 | Sottotappeto post. | Rear under carpet | 51 | 61601900 | 1 | Sottotappeto ant. Dx. | R.H. front undercarpet |
| 22 | 60719800 | 4 | Vite | Screw | - | 61602000 | 1 | Sottotappeto ant. Sx. | L.H. front undercarpet |
| 23 | 12520302 | 4 | Rondella | Washer | 52 | 61425300 | 2 | Modanatura | Moulding |
| 24 | 50206507 | 4 | Vite | Screw | 53 | 61413100 | 1 | Tappeto | Carpet |
| 25 | 60674900 | 1 | Modanatura sottoporta Dx. | R.H. moulding | 54 | 61455700 | 1 | Tappeto | Carpet |
| - | 60675000 | 1 | Modanatura sottoporta Sx. | L.H. moulding | 55 | 61607100 | 2 | Asla collegamento guide | Rod for guides |
| 26 | 50313204 | - | Interruttore | Switch | 56 | 61607000 | 4 | Boccola | Bush |
| 27 | 61351900 | 1 | Montante Dx. | R.H. pillar | 57 | 60673700 | 2 | Vite | Screw |
| - | 61352000 | 1 | Montante Sx. | L.H. pillar | 58 | 60670100 | 2 | Perno scontrino serratura | Pin for lock stricker |
| 28 | 61859000 | 2 | Guarnizione | Gasket | 59 | 60775900 | 2 | Guarnizione | Gasket |
| 29 | 60726300 | 2 | Guarnizione | Gasket | | | | | |

(1) Solo per Coupé (1) - Seulement pour Coupé - (1) - For Coupé only - (2) - Solo per Cabriolet

(2) - Seulement pour Cabriolet - (2) - For Cabriolet only



3.2 MONDIAL

PADIGLIONE TUNNEL E CINTURE - 3.2 Mondial Coupé
 ROOF TUNNEL AND SAFETY BELTS - 3.2 Mondial Coupé

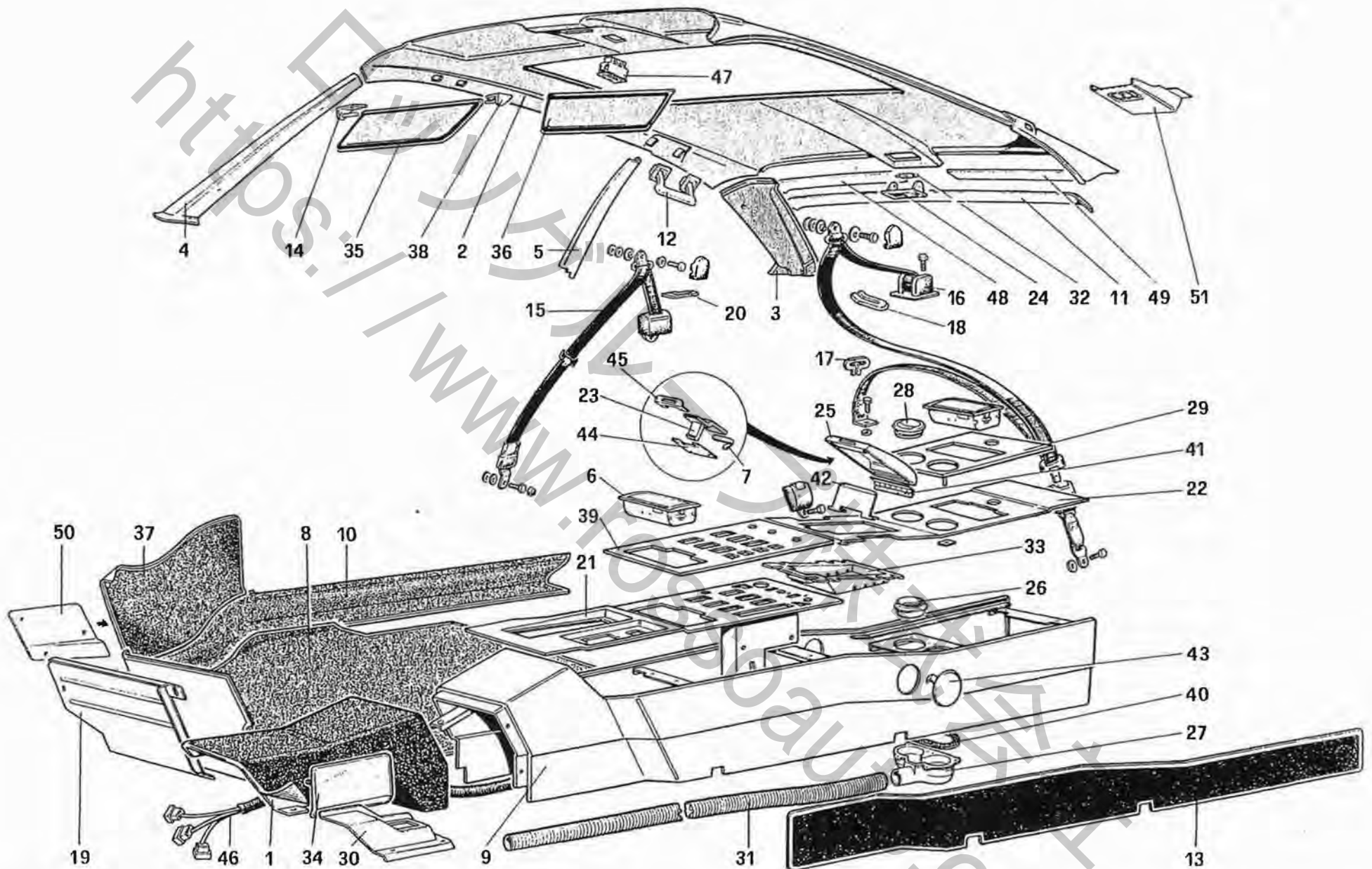
TAV. 119
 DATA: OTTOBRE 87

55607

TAVOLA 119

| Rif. | Dis. No. Part No. | Q.ty | DENOMINAZIONE | DESCRIPTION | Rif. | Dis. No. Part No. | Q.ty | DENOMINAZIONE | DESCRIPTION |
|------|----------------------|------|--|---|------|----------------------|------|---|--|
| 1 | 61116200 | 1 | Tunnel ant. con moquette - GS | Front tunnel with moquette - LHD | 21 | 61057500 | 1 | (B) Piastra ant. tunnel rivestita - GS | (B) Front plate with covering - LHD |
| - | 61142200 | 1 | Moquette - GS | Moquette - LHD | - | 62382900 | 1 | (A) Piastra ant. tunnel rivestita - GS | (A) Front plate with covering - LHD |
| - | 61123800 | 1 | Tunnel ant. con moquette - GD | Front tunnel with moquette - RHD | - | 61122400 | 1 | (B) Piastra ant. tunnel rivestita - GD | (B) Front plate with covering - RHD |
| - | 61145100 | 1 | Moquette - GD | Moquette - RHD | - | 62380700 | 1 | (A) Piastra ant. tunnel rivestita - GD | (A) Front plate with covering - RHD |
| 2 | 61168500 | 1 | Padiglione rivestito - GS | Roof with covering - LHD | - | 61057900 | 1 | (B) Rivestimento | (B) Covering |
| - | 61168800 | 1 | Padiglione rivestito - GD - No per AUS | Roof with covering - RHD - Not for AUS | - | 62383200 | 1 | (A) Rivestimento - GS | (A) Covering - LHD |
| - | 62334800 | 1 | Padiglione rivestito - AUS | Roof with covering - AUS | - | 62381000 | 1 | (A) Rivestimento - GD | (A) Covering - RHD |
| - | 61168700 | 1 | Rivestimento | Covering | 22 | 61058000 | 1 | Piastra rivestita tunnel - No per USA - SA | Rear plate with covering - Not for US - SA |
| - | 61266200 | 1 | Padiglione rivestito - TA - GS - No per USA | Roof with covering - TA - LHD - Not for US | - | 61029700 | 1 | Piastra rivestita tunnel - USA - SA | Rear plate with covering - US - SA |
| - | 61269000 | 1 | Padiglione rivestito - TA - GD | Roof with covering - TA - RHD | - | 61058300 | 1 | Rivestimento | Covering |
| - | 61266400 | 1 | Rivestimento - TA - No per USA | Covering - TA - Not for US | 23 | 61059600 | 1 | Pulsante sportello | Knob for lid |
| - | 61870800 | 1 | Padiglione rivestito - TA - USA | Roof with covering - TA - US | 24 | 60326709 | - | Plafoniera abitacolo | Lamp |
| - | 61871000 | 1 | Rivestimento - TA - USA | Covering - TA - US | 25 | 61059400 | 1 | Sportello rivestito | Lid with covering |
| 3 | 60679900 | 1 | Copripiantone post. Dx. | Rear R.H. moulding | - | 61059500 | 1 | Rivestimento | Covering |
| - | 60680000 | 1 | Copripiantone post. Sx. | Rear L.H. moulding | 26 | 61058500 | 2 | Ghiera fiss. bocchette | Ring nut |
| 4 | 60685000 | 1 | Modanatura Sx. parabrezza | L.H. moulding | 27 | 61058400 | 1 | Convogliatore aria bocchette | Air conveyor |
| - | 60685300 | 1 | Modanatura Dx. parabrezza | R.H. moulding | 28 | 60656500 | 2 | Bocchette | Air outlet |
| 5 | 60685700 | 1 | Modanatura montante centr. Sx. | L.H. center post. | 29 | 61023000 | 1 | Piastra rivestita tunnel | Plate with covering for tunnel |
| - | 60686000 | 1 | Modanatura montante centr. Dx. | R.H. center post. | 30 | 61066900 | 1 | Copripedale acceleratore - GS | Accelerator pedal cover - LHD |
| 6 | 61058900 | 2 | Posacenere | Ash tray | - | 61112800 | 1 | Copripedale acceleratore - GD | Accelerator pedal cover - RHD |
| 7 | 61059700 | 1 | Molla | Spring | 31 | 61120400 | 1 | Tubo | Pipe |
| 8 | 61140700 | 1 | Tappeto ant. passeggero - GS | Front carpet passenger - LHD | 32 | 50100205 | - | Lampada plafoniera abitacolo | Bulb |
| - | 61144400 | 1 | Tappeto ant. passeggero - DS | Front carpet passenger - RHD | 33 | 61059000 | 1 | Cassetto portanastri - GS | Cassette box - LHD |
| - | 61140500 | 1 | Tappeto ant. pilota - GS | Front carpet driver - LHD | - | 61154100 | 1 | Cassetto portanastri - GD | Cassette box - RHD |
| - | 61144200 | 1 | Tappeto ant. pilota - GD | Front carpet driver - RHD | 34 | 61120800 | 1 | Protezione tunnel ant. - GS | Protection for front tunnel - LHD |
| 9 | 61622200 | 1 | Tunnel rivestito - GS | Tunnel with covering - LHD | - | 61124100 | 1 | Protezione tunnel ant. - GD | Protection for front tunnel - RHD |
| - | 61622400 | 1 | Tunnel rivestito - GD | Tunnel with covering - RHD | 35 | 61169400 | 1 | Parasole Dx. - GS - No per USA - SA | R.H. sun visor - LHD - Not for USA - SA |
| - | 61056600 | 1 | Rivestimento - GS | Covering - LHD | - | 61002300 | 1 | Parasole Dx. - GD - No per AUS | R.H. sun visor - RHD - Not for AUS |
| - | 61144700 | 1 | Rivestimento - GD | Covering - RHD | - | 61186900 | 1 | Parasole Dx. - AUS | R.H. sun visor - AUS |
| 10 | 61258000 | 1 | Tappeto brancardo Dx. - GS | Carpet R.H. framework - LHD | - | 61171700 | 1 | Parasole Sx. - TA - GS | R.H. sun visor - TA - LHD |
| - | 61259200 | 1 | Tappeto brancardo Dx. - GD | Carpet R.H. framework - RHD | - | 61179900 | 1 | Parasole Dx. - TA - GD - No per AUS | R.H. sun visor - TA - RHD - Not for AUS |
| - | 61258600 | 1 | Tappeto brancardo Sx. - GS | Carpet L.H. framework - LHD | 36 | 61002500 | 1 | Parasole Sx. - GS | L.H. sun visor - LHD |
| - | 61259800 | 1 | Tappeto brancardo Sx. - GD | Carpet L.H. framework - RHD | - | 61169700 | 1 | Parasole Sx. - GD - No per AUS | L.H. sun visor - RHD - Not for AUS |
| 11 | 61092200 | 3 | Ossatura post. padiglione rivestita No per TA | Rear framework for roof with covering Not for TA | - | 61187000 | 1 | Parasole Sx. - AUS | L.H. sun visor - AUS |
| 12 | 60699700 | 3 | Maniglia beige | With strap | - | 61004300 | 1 | Parasole Sx. - GS - TA | L.H. sun visor - TA - LHD |
| - | 61119600 | 3 | Maniglia nera | Black strap | - | 61180100 | 1 | Parasole Sx. - DG - TA - No per AUS | L.H. sun visor - TA - RHD - Not for AUS |
| 13 | 61143300 | 1 | Moquette Dx. tunnel - GS | R.H. moquette for tunnel - LHD | 37 | 62381300 | 1 | Tappeto passaruota Dx. - GS | Carpet for R.H. wheelhouse - LHD |
| - | 61145700 | 1 | Moquette Dx. tunnel - GD | R.H. moquette for tunnel - RHD | - | 62382100 | 1 | Tappeto passaruota Dx. - GD | Carpet for R.H. wheelhouse - RHD |
| - | 61143000 | 1 | Moquette Sx. tunnel - GS | L.H. moquette for tunnel - LHD | - | 62381600 | 1 | Tappeto passaruota Sx. - GS | Carpet for L.H. wheelhouse - LHD |
| - | 61145500 | 1 | Moquette Sx. tunnel - GD | L.H. moquette for tunnel - RHD | - | 62382400 | 1 | Tappeto passaruota Sx. - GD | Carpet for L.H. wheelhouse - RHD |
| 14 | 61003200 | 2 | Staffa Dx. parasole | R.H. bracket | 38 | 61003300 | 2 | Staffa Sx. parasole | L.H. bracket |
| 15 | 60712900 | 1 | Serie cinture ant. - No per USA - SA - AUS | Front safety belts set - Not for US - SA - AUS | 39 | 61022900 | 1 | Piastra ant. superiore - GS - Fino 30-9-87 | Upper front plate - LHD - Until 30-9-87 |
| - | 60834900 | 1 | Serie cinture ant. - USA - SA | Front safety belts set - US - SA | - | 61122900 | 1 | Piastra ant. superiore - GD - Fino 30-9-87 | Upper front plate - RHD - Until 30-9-87 |
| 16 | 60713500 | 1 | Serie cinture post. - No per USA - SA - AUS | Rear safety belts set - Not for US - SA - AUS | - | 62379800 | 1 | Piastra ant. superiore - GS - No per USA Dal 1-10-87 | Upper front plate - LHD - Not for US From 1-10-87 |
| - | 60835000 | 1 | Serie cinture post. - USA - SA | Rear safety belts set - US - SA | - | 62380000 | 1 | Piastra ant. superiore - USA - Dal 1-10-87 | Upper front plate - US - From 1-10-87 |
| 17 | 60709400 | 2 | Mostrina inferiore cinture post. | Lower frame for rear belts | - | 62380200 | 1 | Piastra ant. superiore - GD - Dal 1-10-87 | Upper front plate - RHD - From 1-10-87 |
| - | 60709700 | 1 | Mostrina Sx. cinture post. | L.H. frame for rear belts | 40 | 61120300 | 1 | Guarnizione | Gasket |
| - | 60709800 | 1 | Mostrina Dx. cinture post. | R.H. frame for rear belts | 41 | 61059200 | 1 | Cerniera cassetto | Hinge for lid |
| 19 | 61140300 | 1 | (B) Appoggiatesta passeggero - GS | (B) Passenger footrest - LHD | 42 | 61059100 | 4 | Paratia cassetto portanastri | Shield panel for cassette bow |
| - | 62339600 | 1 | (A) Appoggiatesta passeggero - GS | (A) Passenger footrest - LHD | 43 | 61081800 | 2 | Tappo tunnel | Plug for tunnel |
| - | 61141700 | 1 | (B) Appoggiatesta passeggero - GD | (B) Passenger footrest - RHD | 44 | 61059800 | 1 | Coperchio molla | Lid for spring |
| - | 62378500 | 1 | (A) Appoggiatesta passeggero - GD | (A) Passenger footrest - RHD | 45 | 61059900 | 1 | Modanatura pulsante | Moulding for nob |
| 20 | 60841100 | 2 | Mostrina superiore cinture ant. | Upper frame for front belts | 46 | 119425 | 1 | (B) Cavi elettrici tunnel | (B) Electrical cables for tunnel |

(1) Solo per Cab (1) - Seulement pour Coupé - (1) - For Coupé only - (2) - Solo per Cab (2) - Seulement pour Cabriolet - (2) - For Cabriolet only



3.2 MONDIAL

PADIGLIONE TUNNEL E CINTURE - 3.2 Mondial Coupé
 ROOF TUNNEL AND SAFETY BELTS - 3.2 Mondial Coupé

TAV. 119/a
 DATA: OTTOBRE 87

TAVOLA 119/A

| Rif. | Dis. No. Part No. | Q.ty | DENOMINAZIONE | DESCRIPTION | Rif. | Dis. No. Part No. | Q.ty | DENOMINAZIONE | DESCRIPTION |
|------|----------------------|------|----------------------------------|-----------------------------------|------|----------------------|------|------------------------------|-----------------------------------|
| - | 133740 | 1 | (A) Cavi elettrici tunnel | (A) Electrical cables for tunnel | 49 | 61267400 | 1 | Ossatura Sx. rivestita - TA | L.H. framework with covering - TA |
| 47 | 114635 | 1 | Interruttore tetto apribile - TA | Switch for sun roof - TA | | | | No per USA | Not for US |
| 48 | 61267300 | 1 | Ossatura Dx. rivestita - TA | R.H. framework with covering - TA | - | 61871800 | 1 | Ossatura Sx. rivestita - USA | L.H. framework with covering - US |
| | | | No per USA | Not for US | 50 | 61168300 | 1 | Protezione inox - GD | Inox portection - RHD |
| - | 61871700 | 1 | Ossatura Dx. rivestita - USA | R.H. framework with covering - US | 51 | 61872000 | 1 | Supporto stop lamp - USA | Stop lamp support - US |

(1) Solo per Coupé - (1) - Seulement pour Coupé - (1) - For Coupé only - (2) - Solo per Cabriolet - (2) - Seulement pour Cabriolet - (2) - For Cabriolet only

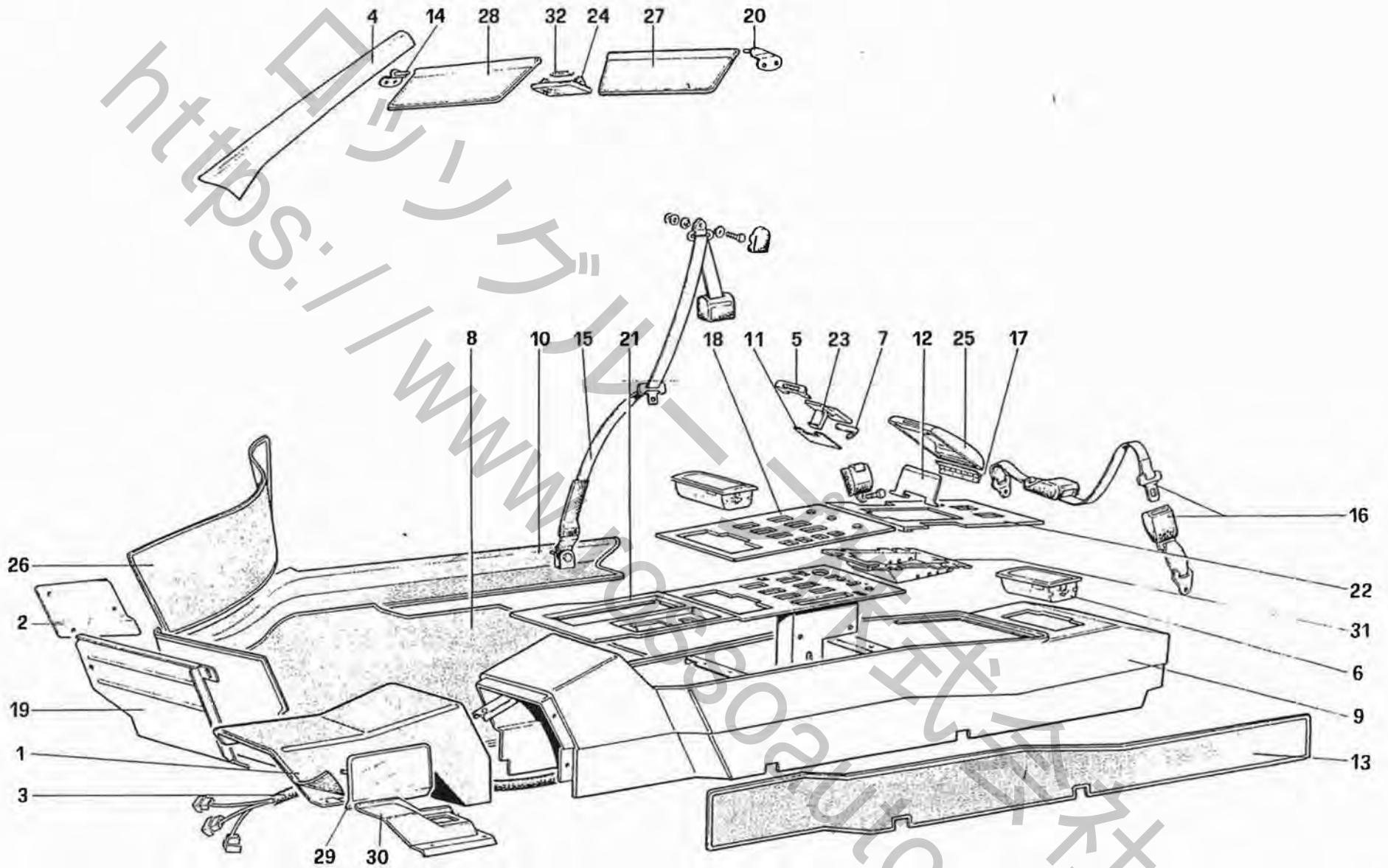


TAVOLA 120

| Rif. | Dis. No. Part No. | Q.ty | DENOMINAZIONE | DESCRIPTION |
|------|----------------------|------|---|--|
| 1 | 61116200 | 1 | Tunnel ant. con moquette - GS | Front tunnel with moquette - LHD |
| - | 61142200 | 1 | Moquette - GS | Moquette - LHD |
| - | 61123800 | 1 | Tunnel ant. con moquette - GD | Front tunnel with moquette - RHD |
| - | 61145100 | 1 | Moquette - GD | Moquette - RHD |
| 2 | 61168300 | 1 | Protezione inox - GD | Inox protection - RHD |
| 3 | 119425 | 1 | (B) Cavi elettrici tunnel | (B) Electrical cables |
| - | 133740 | 1 | (A) Cavi elettrici tunnel | (A) Electrical cables |
| 4 | 61238600 | 1 | (B) Modanatura Sx. parabrezza | (B) L.H. moulding |
| - | 62397000 | 1 | (A) Modanatura Sx. parabrezza | (A) L.H. moulding |
| - | 61238300 | 1 | (B) Modanatura Dx. parabrezza | (B) R.H. moulding |
| - | 62396700 | 1 | (A) Modanatura Dx. parabrezza | (A) R.H. moulding |
| 5 | 61059900 | 1 | Modanatura pulsante | Moulding |
| 6 | 61058900 | 2 | Posacenere | Ashtray |
| 7 | 61059700 | 1 | Molla | Spring |
| 8 | 61230000 | 1 | Tappeto ant. passeggero - GS | Front carpet passenger - LHD |
| - | 61441500 | 1 | Tappeto ant. passeggero - GD | Front carpet passenger - RHD |
| - | 61228600 | 1 | Tappeto ant. pilota - GS | Front carpet driver - LHD |
| - | 61440800 | 1 | Tappeto ant. pilota - GD | Front carpet driver - RHD |
| 9 | 61622600 | 1 | Tunnel rivestito - GS - No per USA - SA | Tunnel with covering - LHD - Not for US - SA |
| - | 61765000 | 1 | Tunnel rivestito - USA - SA | Tunnel with covering - US - SA |
| - | 61622700 | 1 | Tunnel rivestito - GD | Tunnel with covering - RHD |
| - | 61243100 | 1 | Rivestimento - GS | Covering - LHD |
| - | 61442500 | 1 | Rivestimento - GD | Covering - RHD |
| 10 | 61311900 | 1 | Tappeto brancardo Dx. - GS | Carpet R.H. framework - LHD |
| - | 61662800 | 1 | Tappeto ant. brancardo Dx. - GD | Front carpet R.H. framework - RHD |
| - | 61663000 | 1 | Tappeto post. brancardo Dx. - GD | Rear carpet R.H. framework - RHD |
| - | 61312200 | 1 | Tappeto ant. brancardo Sx. - GS | Front carpet L.H. framework - LHD |
| - | 61443200 | 1 | Tappeto ant. brancardo Sx. - GS | Front carpet L.H. framework - LHD |
| - | 61442100 | 1 | Tappeto brancardo Sx. - GD | Carpet L.H. framework - RHD |
| 11 | 61059800 | 1 | Coperchio molla | Lid for spring |
| 12 | 61059100 | 4 | Paratia cassetto portanastrì | Shield panel for cassette box |
| 13 | 61243700 | 1 | Moquette Dx. tunnel - GS | R.H. moquette for tunnel - LHD |
| - | 61442800 | 1 | Moquette Dx. tunnel - GD | R.H. moquette for tunnel - RHD |
| - | 61243400 | 1 | Moquette Sx. tunnel - GS | L.H. moquette for tunnel - LHD |
| - | 61442600 | 1 | Moquette Sx. tunnel - GD | L.H. moquette for tunnel - RHD |
| 14 | 61603700 | 1 | Staffa Dx. parasole | R.H. bracket |
| 15 | 61438500 | 1 | Serie cinture ant. - No per USA - SA | Front safety belts set. - Not for US - SA |
| - | 61444700 | 1 | Serie cinture ant. - USA - SA | Front safety belts set. - US - SA |

| Rif. | Dis. No. Part No. | Q.ty | DENOMINAZIONE | DESCRIPTION |
|------|----------------------|------|--|--|
| 16 | 61343000 | 1 | Serie cinture post. - No per USA - SA | Rear safety belts set. - Not for USA - SA |
| - | 61245500 | 1 | Serie cinture post. - USA - SA | Rear safety belts set. - USA - SA |
| 17 | 61059200 | 1 | Cerniera cassetto | Hinge for lid |
| 18 | 61022900 | 1 | Piastra ant. superiore tunnel - GS | Upper front plate for tunnel - LHD |
| - | 61122900 | 1 | Piastra ant. superiore tunnel - GD | Upper front plate for tunnel - RHD |
| 19 | 61140300 | 1 | (B) Appoggiatesta passeggero - GS | (B) Passenger footrest - LHD |
| - | 62339600 | 1 | (A) Appoggiatesta passeggero - GS | (A) Passenger footrest - LHD |
| - | 61141700 | 1 | (B) Appoggiatesta passeggero - GD | (B) Passenger footrest - RHD |
| - | 62378500 | 1 | (A) Appoggiatesta passeggero - GD | (A) Passenger footrest - RHD |
| 20 | 61603800 | 1 | Staffa Sx. parasole | L.H. bracket |
| 21 | 61057500 | 1 | (B) Piastra ant. tunnel rivestita - GS | (B) Front plate with covering - LHD |
| - | 62382900 | 1 | (A) Piastra ant. tunnel rivestita - GS | (A) Front plate with covering - LHD |
| - | 61122400 | 1 | (B) Piastra ant. tunnel rivestita - GD | (B) Front plate with covering - RHD |
| - | 62380700 | 1 | (A) Piastra ant. tunnel rivestita - GD | (A) Front plate with covering - RHD |
| - | 61057900 | 1 | (B) Rivestimento | (B) Covering |
| - | 62383200 | 1 | (A) Rivestimento | (A) Covering |
| 22 | 61371200 | 1 | Piastra rivestita tunnel - No per USA - SA | Rear plate with covering - No for USA - SA |
| - | 61243900 | 1 | Piastra rivestita tunnel - USA - SA | Rear plate with covering - USA - SA |
| - | 61244200 | 1 | Rivestimento | Covering |
| 23 | 61059600 | 1 | Pulsante sportello | Knob for lid |
| 24 | 60326709 | 1 | Plafoniera abitacolo | Lamp |
| 25 | 61059400 | 1 | Sportello rivestito | Lid with covering |
| - | 61059500 | 1 | Rivestimento | Covering |
| 26 | 62381300 | 1 | Tappeto passaruota Dx. - GS | Carpet for R.H. wheelhouse - LHD |
| - | 62382100 | 1 | Tappeto passaruota Dx. - GD | Carpet for R.H. wheelhouse - RHD |
| - | 62381600 | 1 | Tappeto passaruota Sx. - GS | Carpet for L.H. wheelhouse - LHD |
| - | 62382400 | 1 | Tappeto passaruota Sx. - GD | Carpet for L.H. wheelhouse - RHD |
| 27 | 61317700 | 1 | Parasole Sx. - GS | L.H. sun visor - LHD |
| - | 61606300 | 1 | Parasole Sx. - GD | L.H. sun visor - RHD |
| 28 | 61317500 | 1 | Parasole Dx. - GS | R.H. sun visor - LHD |
| - | 61606100 | 1 | Parasole Dx. - GD | R.H. sun visor - RHD |
| 29 | 61120800 | 1 | Protezione tunnel ant. - GS | Protection for front tunnel - LHD |
| - | 61124100 | 1 | Protezione tunnel ant. - GD | Protection for front tunnel - RHD |
| 30 | 61066900 | 1 | Copripedale acceleratore - GS | Accelerator pedal cover - LHD |
| - | 61112800 | 1 | Copripedale acceleratore - GD | Accelerator pedal cover - RHD |
| 31 | 61059000 | 1 | Cassetto portanastrì - GS | Cassette box - LHD |
| - | 61154100 | 1 | Cassetto portanastrì - GD | Cassette box - RHD |
| 32 | 50100205 | 1 | Lampada | Bulb |

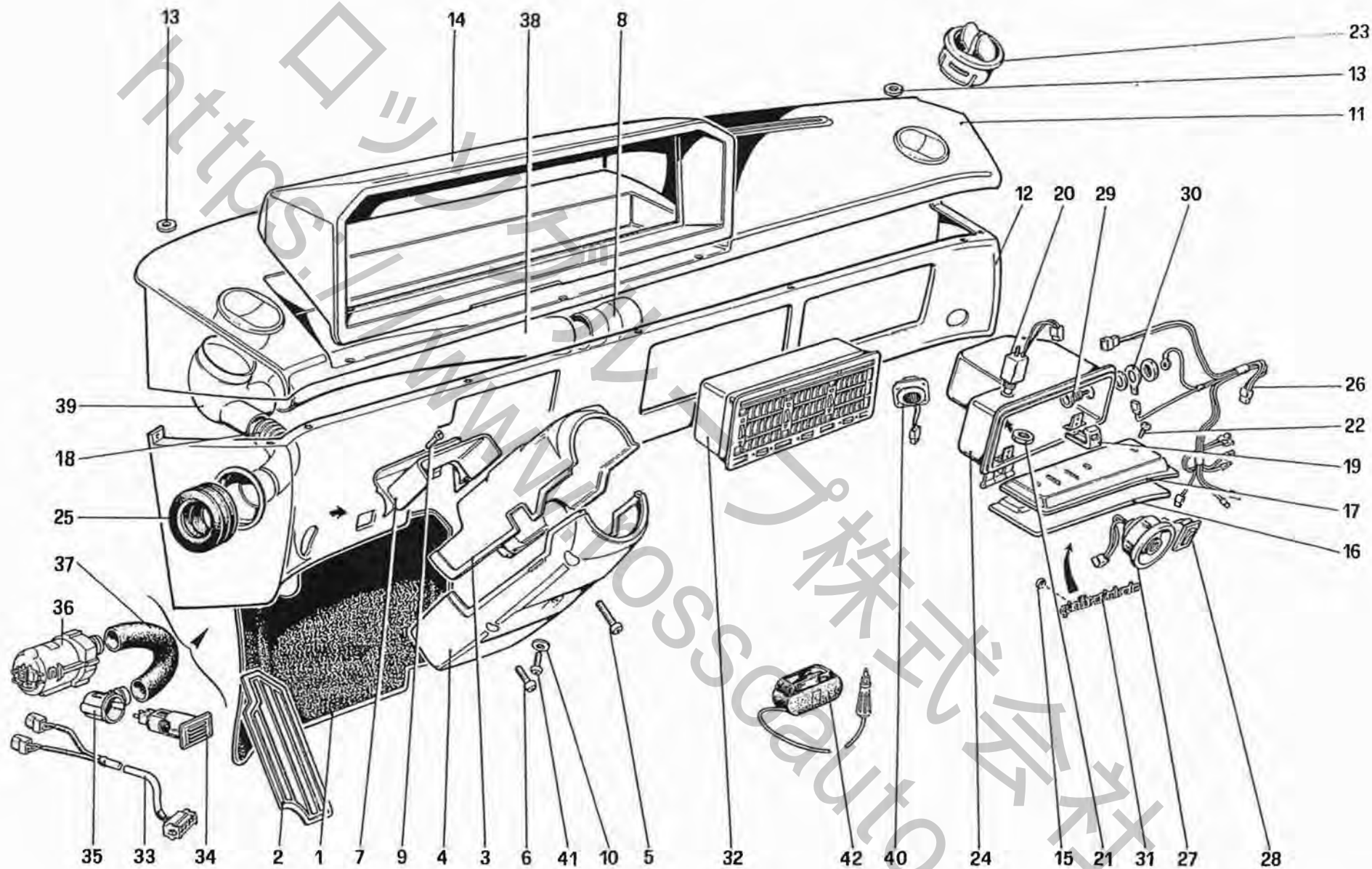


TAVOLA 121

| Rif. | Dis. No Part No. | Q.ty | DENOMINAZIONE | DESCRIPTION |
|------|---------------------|------|---|---|
| 1 | 60781600 | 1 | Tappeto - GS | Carpet - LHD |
| - | 62381900 | 1 | Tappeto - GD | Carpet - RHD |
| 2 | 60723400 | 1 | Protezione - GS | Protection - LHD |
| - | 61158500 | 1 | Protezione - GD | Protection - RHD |
| - | 61272900 | 1 | (1) Copripiantone completo | (1) Cover for steering complete |
| - | 60654300 | 1 | (2) Copripiantone completo | (2) Cover for steering complete |
| 3 | 61177500 | 1 | (1) Copripiantone | (1) Cover |
| - | 60654400 | 1 | (2) Copripiantone | (2) Cover |
| 4 | 61272800 | 1 | (1) Copripiantone | (1) Cover |
| - | 60654500 | 1 | (2) Copripiantone | (2) Cover |
| 5 | 15687708 | 2 | Vite | Screw |
| 6 | 15688208 | 2 | Vite | Screw |
| 7 | 60698000 | 1 | Ripporto copripiantone | Small cover |
| 8 | 61274400 | 2 | Riduzione | Fannel |
| 9 | 60698100 | 1 | Vite | Screw |
| 10 | 60702900 | 1 | Rondella | Washer |
| 11 | 61777000 | 1 | (1) Plancia - GS | (1) Dashboard - LHD |
| - | 61829500 | 1 | (1) Plancia - GD | (1) Dashboard - RHD |
| - | 61784700 | 1 | (2B) Plancia - GS | (2B) Dashboard - LHD |
| - | 62396300 | 1 | (2A) Plancia - GS | (2A) Dashboard - LHD |
| - | 61916000 | 1 | (2B) Plancia - GD | (2B) Dashboard - RHD |
| - | 62428000 | 1 | (2A) Plancia - GD | (2A) Dashboard - RHD |
| 12 | 61777100 | 1 | (B) Plancia inferiore - GS - Fino 30-4-87 | (B) Lower dashboard - LHD - Until 30-4-87 |
| - | 62362700 | 1 | (B) Plancia inferiore - GS - Dal 1-5-87 | (B) Lower dashboard - LHD - From 1-5-87 |
| - | 62362700 | 1 | (A) Plancia inferiore - GS | (A) Lower dashboard - LHD |
| - | 61829600 | 1 | Plancia inferiore - GD | Lower dashboard - RHD |
| 13 | 60657600 | 1 | Rondella in gomma | Rubber washer |
| 14 | 61776500 | 1 | Sede strumenti rivestita - GS | Seat instruments with covering - LHD |
| - | 61829000 | 1 | Sede strumenti rivestita - GD | Seat instruments with covering - RHD |
| 15 | 14183376 | 3 | Mollella | Clip |
| 16 | 61131700 | 1 | Sportello rivestito - GS | Lid with covering - LHD |
| - | 61130700 | 1 | Sportello rivestito - GD | Lid with covering - RHD |
| - | 60656000 | 1 | Rivestimento | Covering |
| 17 | 60655400 | 1 | Lato interno sportello - GS | Lid inner covering - LHD |
| - | 60734800 | 1 | Lato interno sportello - GD | Lid inner covering - RHD |
| 18 | 60657300 | 2 | Tubo aria alla porta | Air pipe on door |
| 19 | 60675600 | 1 | Scontrino serratura | Lock striker |

| Rif. | Dis. No Part No. | Q.ty | DENOMINAZIONE | DESCRIPTION |
|------|---------------------|------|--|--|
| 20 | 60868600 | 1 | Magnete | Magnet |
| 21 | 60538800 | 1 | Ghiera liss. magnele | Ring nut |
| 22 | 60675900 | 4 | Vite | Screw |
| 23 | 60656500 | 2 | Bocchetta | Side air outlet |
| 24 | 60655700 | 1 | (1) Casselo - GS | (1) Box - LHD |
| - | 60734900 | 1 | (1) Casselo - GD | (1) Box - RHD |
| - | 61344000 | 1 | (2) Casselo - GS | (2) Box - LHD |
| - | 61440700 | 1 | (2) Casselo - GD | (2) Box - RHD |
| 25 | 60657400 | 2 | Guarnizione | Gasket |
| 26 | 119429 | 1 | Cavi collegamento cassetto | Connecting cables |
| 27 | 60743100 | 1 | Plafoniera | Glove box light |
| 28 | 60743000 | 1 | Interruttore | Switch |
| 29 | 60701500 | 1 | Presca di corrente | Socket |
| 30 | 60701400 | 1 | Terminale negativo | Negative terminal |
| 31 | 61132700 | 1 | Scritta quattrovalvole | Quattrovalvole name |
| 32 | 60657100 | 1 | Bocchetta | Central air outlet |
| 33 | 119430 | 1 | Cavi sensore A.C. | Cables for sensor |
| 34 | 61079100 | 1 | Sensore | Sensor |
| 35 | 61079200 | 1 | Sede sensore | Housing sensor |
| 36 | 61079300 | 1 | Ventola aspirazione | Suction fan |
| - | | 1 | Dopo esaurimento vale n. 61983500 | After exhaustion use no. 61983500 |
| 37 | 61089300 | 1 | Tubo da ventola a sensore | Pipe suction fan - sensor |
| 38 | 61876500 | 1 | (1) Tubo condiz. bocchetta Dx. | (1) Pipe A.C. - R.H. air outlet |
| - | 61876600 | 1 | (1) Tubo condiz. bocchetta Sx. | (1) Pipe A.C. - L.H. air outlet |
| - | 61876500 | 1 | (2) Tubo condiz. bocchetta Dx. - GS | (2) Pipe A.C. - R.H. air outlet - LHD |
| - | 61981600 | 1 | (2) Tubo condiz. bocchetta Dx. - GD | (2) Pipe A.C. - R.H. air outlet - RHD |
| - | 61981600 | 1 | (2) Tubo condiz. bocchetta Sx. - GS | (2) Pipe A.C. - L.H. air outlet - LHD |
| - | 61876500 | 1 | (2) Tubo condiz. bocchetta Sx. - GD | (2) Pipe A.C. - L.H. air outlet - RHD |
| 39 | 60656700 | 1 | Raccordo bocchetta Dx. - GS | Union for R.H. air outlet - LHD |
| - | 60753900 | 1 | Raccordo bocchetta Dx. - GD | Union for R.H. air outlet - RHD |
| - | 60656800 | 1 | Raccordo bocchetta Sx. - GS | Union for L.H. air outlet - LHD |
| - | 60754000 | 1 | Raccordo bocchetta Sx. - GD | Union for L.H. air outlet - RHD |
| 40 | 127296 | 2 | Altoparlante - Fino esaurimento | Loud speaker - To exhaustion |
| - | 62462600 | 2 | Altoparlante - Dopo esaurimento vale n. 127296 | Loud speaker - After exhaustion use no. 127296 |
| 41 | 60702800 | 1 | Vite | Screw |
| 42 | 40179202 | 1 | Lampada di soccorso | Aid lamp |

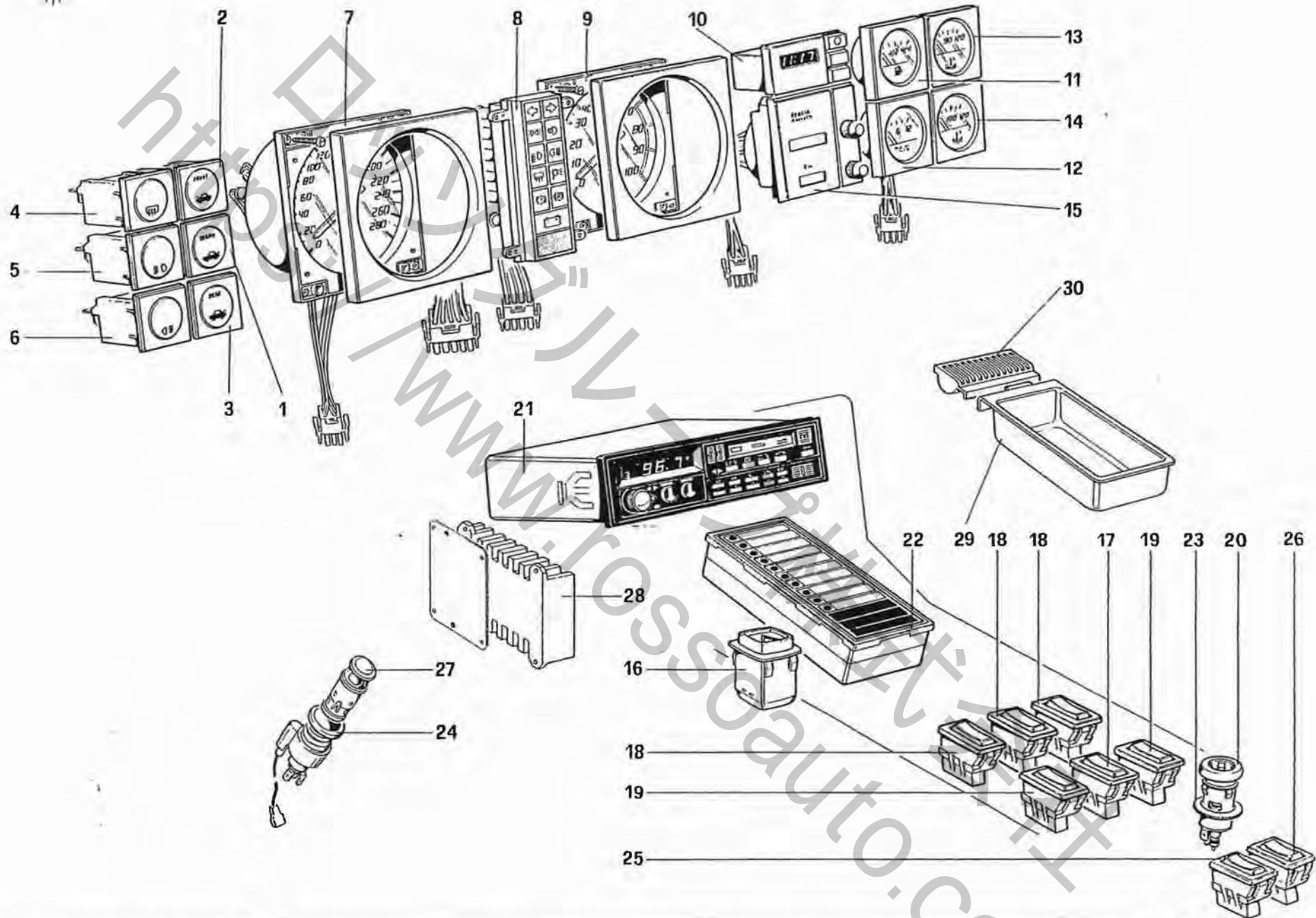


TAVOLA 122

| Rif. | Dis. No. Part No. | Q.ty | DENOMINAZIONE | DESCRIPTION |
|------|----------------------|------|--|---|
| 1 | 121594 | 1 | Pulsante cofano motore | Push - botton, engine bonnet |
| 2 | 121595 | 1 | Pulsante cofano anteriore | Push - botton, front bonnet |
| 3 | 121596 | 1 | (1) Pulsante cofano posteriore | (1) Push - botton, rear bonnet |
| - | 123139 | 1 | (2) Pulsante cofano posteriore | (2) Push - botton, rear bonnet |
| 4 | 121608 | 1 | (1) Pulsante lunotto termico | (1) Push - botton for rear heated window |
| - | 121597 | 1 | (2) Interruttore blocco alzacristalli posteriori | (2) Lock fo rear window switch |
| 5 | 121607 | 1 | Pulsante fendinebbia | Push botton fog light |
| 6 | 121609 | 1 | Pulsante retronebbia | Push botton rear fog light |
| - | 120644 | 1 | No per USA - SA - AUS | Not for US - SA - AUS |
| - | 120644 | 1 | Finto interruttore - AUS - USA - SA | Dummy switch - AUS - US - SA |
| 7 | 126023 | 1 | Contachilometri - GS - ZA - SA | Speedometer - LHD - ZA - SA |
| - | 132376 | 1 | Contachilometri - C7 - C8 | Speedometer - C7 - C8 |
| - | 129662 | 1 | Contachilometri - C6 | Speedometer - C6 |
| - | 128585 | 1 | Contachilometri - CDN - AUS | Speedometer - CDN - AUS |
| - | 128559 | 1 | Contamiglia - USA | Mileage counter - US |
| - | 127106 | 1 | Contamiglia - GD - No per ZA | Mileage counter - RHD - Not for ZA |
| 8 | 121794 | 1 | (1B) Pannello indicatori - No per USA - SA - AUS | (1B) Panel indicators - Not for US - SA - AUS |
| - | 122650 | 1 | (1B) Pannello indicatori - USA - SA | (1B) Panel indicators - US - SA |
| - | 130601 | 1 | (1B) Pannello indicatori - AUS | (1B) Panel indicators - AUS |
| - | 131943 | 1 | (1A) Pannello indicatori | (1A) Panel indicators |
| - | 134357 | 1 | No per USA - SA - AUS - C8 | Not for US - SA - AUS - C8 |
| - | 134361 | 1 | (1A) Pannello indicatori - USA - SA | (1A) Panel indicators - US - SA |
| - | 135204 | 1 | (1) Pannello indicatori - C8 | (1) Panel indicators - C8 |
| - | 123013 | 1 | (2B) Pannello indicatori - No per USA - SA | (2B) Panel indicators - Not for US - SA |
| - | 122653 | 1 | (2B) Pannello indicatori - USA - SA - C8 | (2B) Panel indicators - USA - SA - C8 |
| - | 133922 | 1 | (2A) Pannello indicatori - No per USA - SA - C8 | (2A) Panel indicators - Not for US - SA - C8 |
| - | 134358 | 1 | (2A) Pannello indicatori - USA - SA | (2A) Panel indicators - US - SA |
| - | 135208 | 1 | (2) Pannello indicatori - C8 | (2) Panel indicators - C8 |
| 9 | 126022 | 1 | Contagiri - No per C8 | Rev counter - Not for C8 |
| - | 135200 | 1 | Contagiri - C8 | Rev counter - C8 |
| 10 | 123646 | 1 | Orologio | Clock |
| 11 | 127103 | 1 | Indicatore livello carburante | Fuel level gauge |
| - | 127123 | 1 | No per USA - AUS - C7 - C8 | Not for US - AUS - C7 - C8 |
| - | 127123 | 1 | Indicatore livello carburante | Fuel level gauge |
| - | 127102 | 1 | USA - AUS - C7 - C8 | US - AUS - C7 - C8 |
| 12 | 127102 | 1 | Manometro olio - GS e AUS | Oil pressure gauge - LHD and AUS |
| - | 127112 | 1 | No per USA | Not for US |
| - | 127112 | 1 | Manometro olio - No per AUS | Oil pressure gauge - Not for AUS |
| - | 127100 | 1 | GD - USA | RHD - US |
| 13 | 127100 | 1 | Termometro acqua - GS | Water temperature gauge - LHD |
| - | 127121 | 1 | No per USA | Not for USA |
| - | 127121 | 1 | Termometro acqua - USA | Water temperature gauge - US |

| Rif. | Dis. No. Part No. | Q.ty | DENOMINAZIONE | DESCRIPTION |
|------|----------------------|------|--|--|
| - | 127110 | 1 | Termometro acqua - GD | Water temperature gauge - RHD |
| 14 | 127101 | 1 | (B) Termometro olio - GS - AUS | (B) Oil temperature gauge - LHD and AUS |
| - | 130833 | 1 | No per USA - C7 - Fino esaurimento | Not for US - C7 - To exhaustion |
| - | 130833 | 1 | (A) Termometro olio - GS - AUS - C7 | (A) Oil temperature gauge - LHD - AUS - C7 Not for US - C7 |
| - | 127122 | 1 | No per USA - C7 | Not for US - C7 |
| - | 127122 | 1 | Dopo esaurimento 127101 | After exhaustion 127101 |
| - | 130835 | 1 | (B) Termometro olio - USA | (B) Oil temperature gauge - US |
| - | 127111 | 1 | Fino esaurimento | To exhaustion |
| - | 130834 | 1 | (A) Termometro olio - USA | (A) Oil temperature gauge - US |
| - | 127111 | 1 | Dopo esaurimento 127122 | After exhaustion 127122 |
| - | 130834 | 1 | (B) Termometro olio - GD | (B) Oil temperature gauge - RHD |
| - | 126227 | 1 | No per AUS - Fino esaurimento | Not for AUS - To exhaustion |
| - | 127118 | 1 | (A) Termometro olio - GD | (A) Oil temperature gauge - RHD |
| - | 128566 | 1 | No per AUS - Dopo esaurimento 127111 | Not for AUS - After exhaustion 127111 |
| - | 129664 | 1 | Totalizzatore di percorso - GS - SA | Total speedometer - LHD - SA |
| - | 127108 | 1 | No per USA - CDN - CH | Not for US - CDN - CH |
| - | 132378 | 1 | Totalizzatore di percorso - USA | Total speedometer - US |
| - | 127116 | 1 | Totalizzatore di percorso - CDN | Total speedometer - CDN |
| - | 130599 | 1 | Totalizzatore di percorso - AUS | Total speedometer - AUS |
| 16 | 114637 | 1 | Totalizzatore di percorso - C7 - C8 | Total speedometer - C7 - C8 |
| 17 | 61047600 | 1 | Totalizzatore di percorso - ZA | Total speedometer - ZA |
| 18 | 61047700 | 3 | Interruttore luce emergenza | Switch, hazard lights |
| 19 | 60922400 | 2 | Interruttore luce parcheggio | Parcing lights switch |
| 20 | 61658900 | 1 | Interruttore alzacristalli antenna | Window control radio aerial switch |
| 21 | 61840700 | 1 | Interruttore sportello benzina - cassello | Fuel filter and dashboard switch |
| - | 61905800 | 1 | Accendisigari - GS | Cigarette lighter - LHD |
| 22 | 60920600 | 1 | Radio - No per D - AUS - USA | Radio - Not for D - AUS - US |
| - | 61180500 | 1 | Radio - D | Radio - D |
| - | 61162700 | 1 | Dopo esaurimento vale n. 62360900 | After exhaustion use no. 62360900 |
| 23 | 61107600 | 1 | (B) Check control - No per AUS | (B) Check control - Not for AUS |
| 24 | 61319100 | 1 | (B) Check control - AUS | (B) Check control - AUS |
| 25 | 61319200 | 1 | Rondella per accendisigari - GS | Washer for cigarette lighter - LHD |
| 26 | 61319200 | 1 | Corpo accendisigari - GD | Body for cigarette lighter - RHD |
| 27 | 61107500 | 1 | (2) Interruttore alzacristallo post. Sx. | (2) Switch, window control rear L.H. |
| 28 | 62370700 | 1 | (2) Interruttore alzacristallo post. Dx. | (2) Switch, window control rear R.H. |
| 29 | 62383400 | 1 | Accendisigari - GD | Cigarette lighter - RHD |
| 30 | 62383400 | 1 | Amplificatore radio - No per D - AUS - USA | Radio amplifier - Not for D - AUS - US |
| - | 62383400 | 1 | (A) Vaschetta tunnel | (A) Glove box |
| - | 62383400 | 1 | (A) Portamonete | (A) Money case |

(1) Solo per Coupé .) - Seulement pour Coupé - (1) - For Coupé only - (2) - Solo per Cabrio.

(2) - Seulement pour Cabriolet - (2) - For Cabriolet only

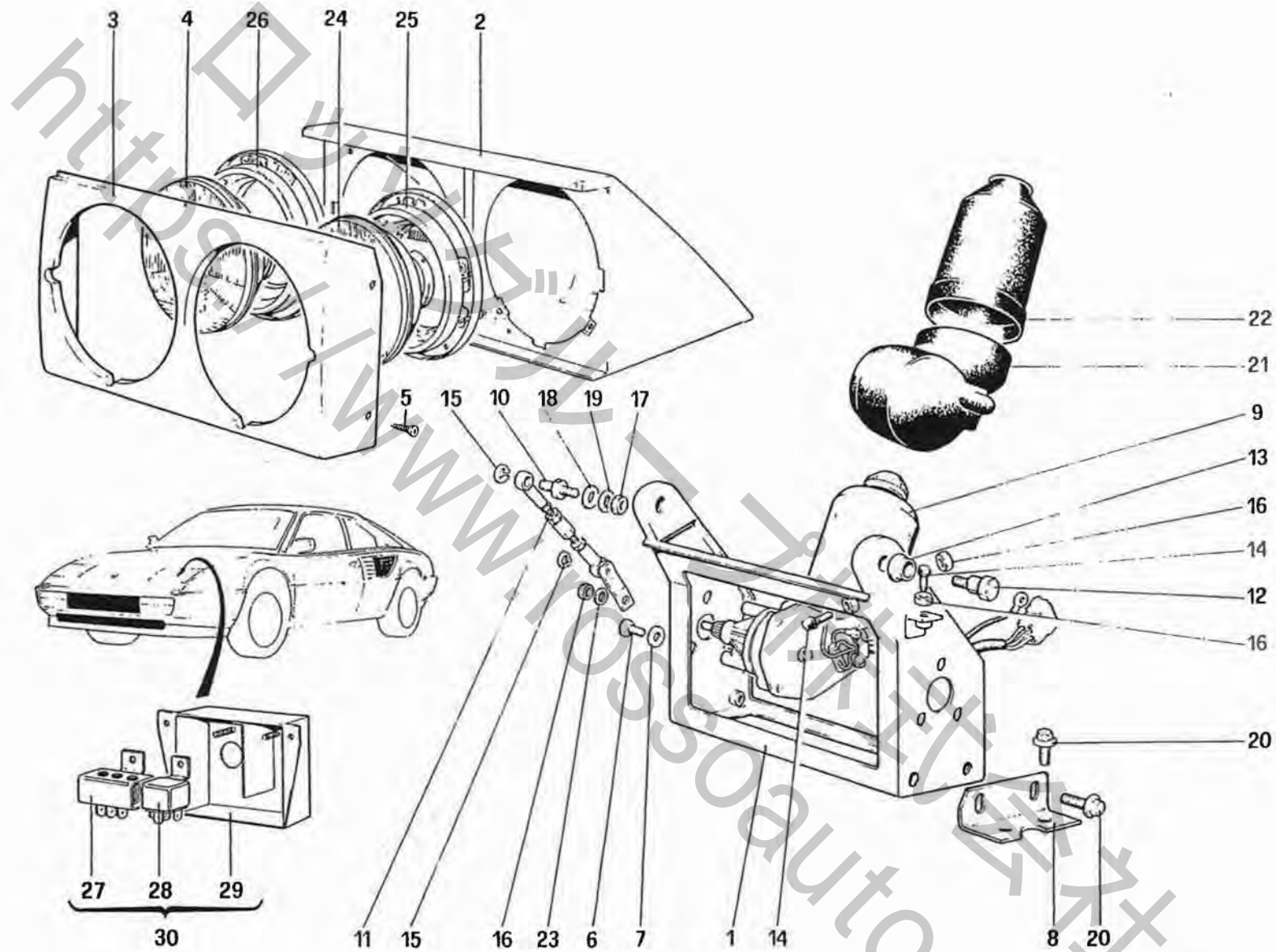


TAVOLA 123

| Rif. | Dis. No. Part No. | Q.ty | DENOMINAZIONE | DESCRIPTION | Rif. | Dis. No. Part No. | Q.ty | DENOMINAZIONE | DESCRIPTION |
|------|----------------------|------|--|---|------|----------------------|------|-----------------------------------|---------------------------------|
| 1 | 60525500 | 2 | Ossatura sostegno (Solo a Dx. per vett. con DIM - DIP) | Support framework (R.H. only for cars with DIM - DIP) | 13 | 50070507 | 4 | Boccola perno fulcro | Bush |
| 1 | 62342300 | 1 | Ossatura Sx. sostegno - GB (Solo per vett. con DIM - DIP) | Support L.H. framework - GB (Only for cars with DIM - DIP) | 14 | 50087709 | 8 | Puntalino regolazione fari | Pin |
| 2 | 60985600 | 1 | Contentore fari Sx. | Housing for L.H. head lamp | 15 | 16160976 | 2 | Anello elastico | Circlip |
| - | 60985700 | 1 | Contentore fari Dx. | Housing for R.H. head lamp | 16 | 15896211 | 10 | Dado | Nut |
| 3 | 60527400 | 1 | Cornice Dx. proiettori | Head lamp frame, R.H. | 17 | 12164711 | 2 | Dado | Nut |
| - | 60527500 | 1 | Cornice Sx. proiettori | Head lamp frame, L.H. | 18 | 12638621 | 2 | Rondella | Washer |
| 4 | 60907400 | 2 | Anabbagliante No per USA - F - GD | Dip beams Not for US - F - RHD | 19 | 10615771 | 2 | Rondella dentata | Washer |
| - | 61610600 | 2 | Sealed beam - anabbagliante/abbagliante USA | Sealed beam dip beam/main beams US | 20 | 13842411 | 16 | Vite | Screw |
| - | 60944800 | 2 | Anabbagliante/abbagliante - GD | Dip beam/main beams - RHD | 21 | 60331204 | 1 | Protezione inferiore motorino Sx. | Lower protection for L.H. motor |
| - | 61005600 | 2 | Anabbagliante/abbagliante - F | Dip beam/main beams - F | - | 60331303 | 1 | Protezione inferiore motorino Dx. | Lower protection for R.H. motor |
| 5 | 15908306 | 8 | Vite | Screw | 22 | 60331402 | 2 | Protezione superiore motorino | Upper protection for motor |
| 6 | 10902111 | 6 | Vite | Screw | 23 | 10516471 | 2 | Rondella fiss. biella | Washer |
| 7 | 10615471 | 6 | Rondella | Washer | 24 | 60907200 | 2 | Abbagliante - No per USA - F | Main beams - Not for US - F |
| 8 | 60527600 | 2 | Angolare Dx. fiss. ossatura | R.H. angle piece | - | 61005400 | 2 | Abbagliante - F | Main beams - F |
| - | 60527700 | 2 | Angolare Sx. fiss. ossatura | L.H. angle piece | - | 61610500 | 2 | Abbagliante - USA | Main beams - US |
| 9 | 60727500 | 1 | Motorino alzafari Dx. | Lifting motor for R.H. headlamp | 25 | 40197907 | 1 | Contentore abbaglianti Dx. | R.H. housing for main beam |
| - | 60727600 | 1 | Motorino alzafari Sx. | Lifting motor for L.H. headlamp | - | 40198004 | 1 | Contentore abbaglianti Sx. | L.H. housing for main beam |
| 10 | 60527900 | 2 | Perno per biella | Pin for connecting rod | 26 | 50104603 | 1 | Contentore anabbaglianti Dx. | R.H. housing for dip beam |
| 11 | 61268600 | 2 | Biella | Connecting rod | - | 50104702 | 1 | Contentore anabbaglianti Sx. | L.H. housing for dip beam |
| 12 | 60564700 | 4 | Perno fulcro braccio contenitore | Pin | 27 | 62342000 | 1 | Resistore per GB | Resistor for GB |
| | | | | | 28 | 62342100 | 1 | Teleruttore per GB | Relay for GB |
| | | | | | 29 | 62342800 | 1 | Scatola DIM - DIP per GB | DIM - DIP box for GB |
| | | | | | 30 | 62346400 | 1 | Scatola DIM - DIP completa per GB | DIM - DIP box complete for GB |

(1) Solo per Coupé - (1) - Seulement pour Coupé - (1) - For Coupé only - (2) - Solo per Cab

- (2) - Seulement pour Cabriolet - (2) - For Cabriolet only

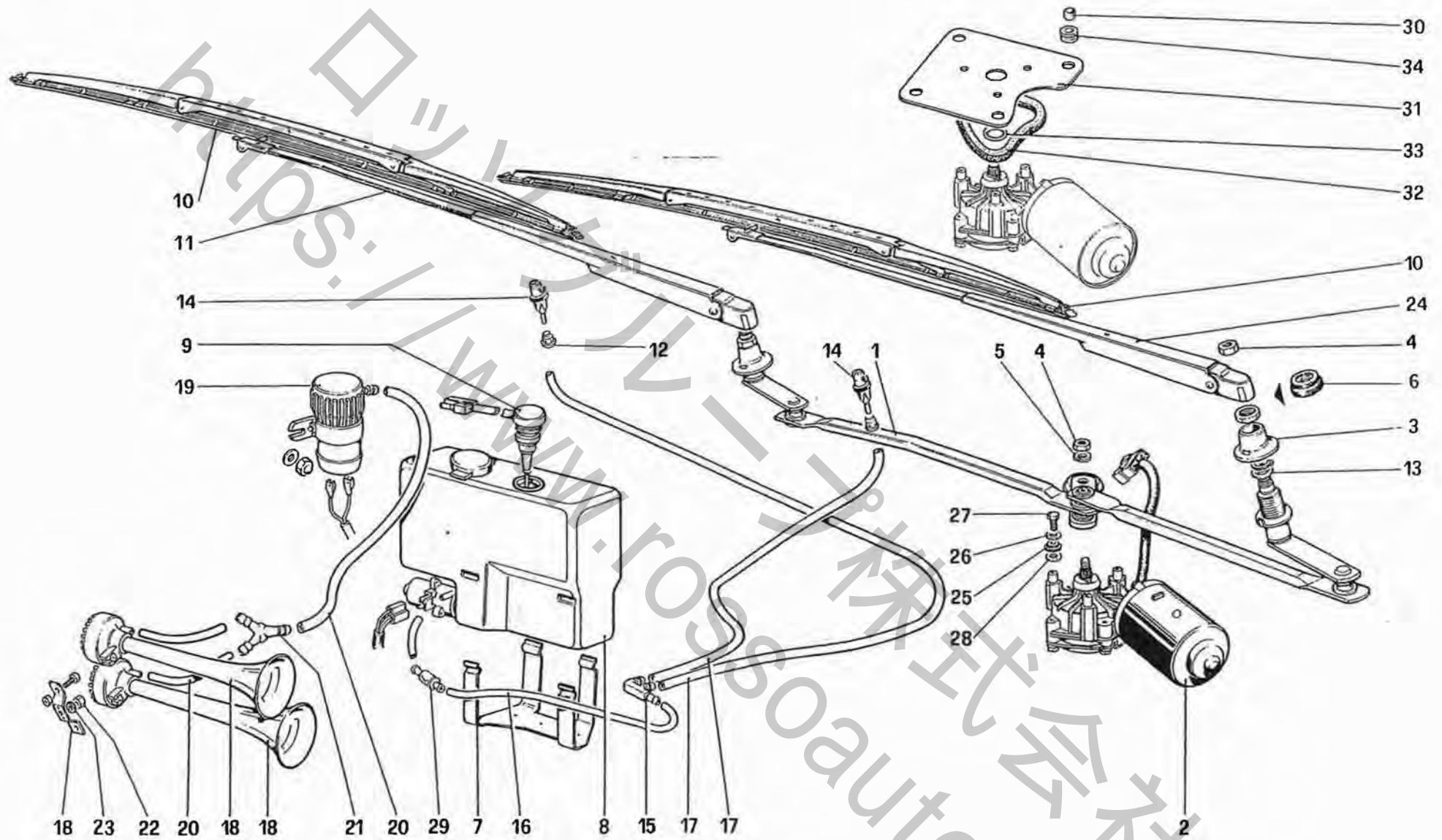
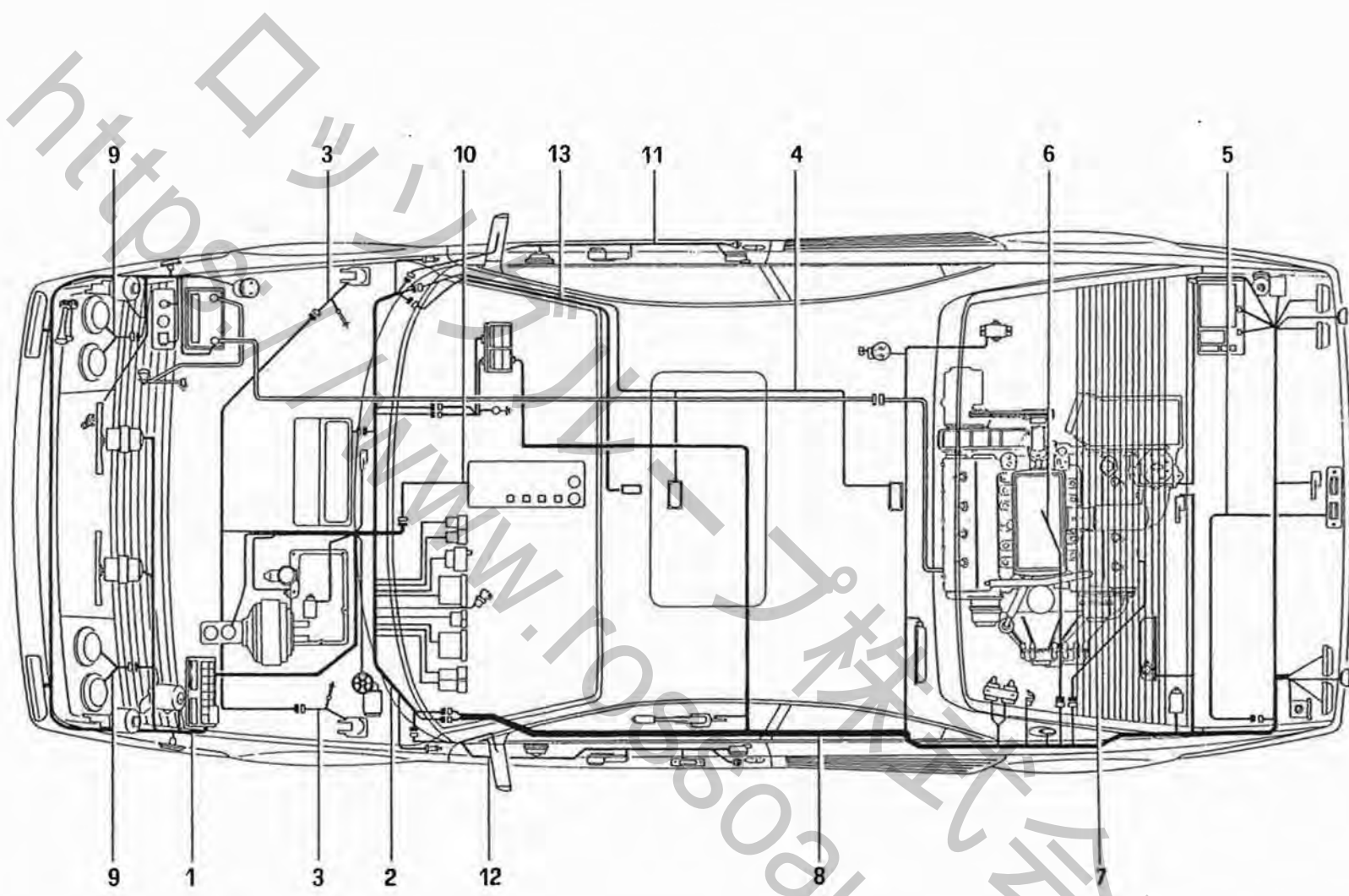


TAVOLA 124

| Rif. | Dis. No. Part No. | Q.ty | DENOMINAZIONE | DESCRIPTION | Rif. | Dis. No. Part No. | Q.ty | DENOMINAZIONE | DESCRIPTION |
|------|----------------------|------|---|-----------------------|------|----------------------|------|------------------------------------|----------------------|
| 1 | 60659200 | 1 | (B) Leveraggio tergi | (B) Levers | 18 | 60665500 | 1 | Trombe (escluso CH) | Horns (CH excluded) |
| - | 62387700 | 1 | (A) Leveraggio tergi | (A) Levers | - | 60842900 | 1 | Trombe (solo CH) | Horns (CH only) |
| 2 | 61725400 | 1 | (B) Motore tergi | (B) Wiper motor | 19 | 61447800 | 1 | Compressore trombe | Horns compressor |
| - | 61528100 | 1 | (A) Motore tergi | (A) Wiper motor | 20 | 61951500 | 1 | Condotto aria | Air duct |
| 3 | 60671400 | 2 | Distanziale | Spacer | 21 | 60741100 | 1 | Raccordo a 3 vie | 3 way union |
| 4 | 16102311 | 3 | Dado fiss. leveraggio motore e braccio tergi | Nut | 22 | 16100811 | 1 | Dado fiss. trombe | Nut |
| 5 | 10516670 | 1 | Rondella elastica | Washer | 23 | 10615679 | 1 | Rondella dentata | Washer |
| 6 | 60701200 | 2 | Guarnizione su ghiera fiss. perni | Gasket | 24 | 60767800 | 1 | Braccio tergi Sx. (GS) | L.H. wiper arm (LHD) |
| 7 | 60630000 | 1 | Molla ritegno borsa lavacrystallo | Retainer | - | 60768700 | 1 | Braccio tergi Sx. (GD) | L.H. wiper arm (RHD) |
| 8 | 60710200 | 1 | (B) Borsa lavacrystallo | (B) Water reservoir | 25 | 40222408 | 4 | (B) Gommino | (B) Rubber shim |
| - | 62369400 | 1 | (A) Borsa lavacrystallo | (A) Water reservoir | 26 | 50208800 | 4 | (B) Rondella | (B) Washer |
| 9 | 60814800 | 1 | Sensore per livello liquido | Liquid level sensor | - | 10615471 | 4 | (A) Rondella | (A) Washer |
| 10 | 60703800 | 2 | Spazzole tergi | Wiper brushes | 27 | 10902311 | 4 | (B) Vite | (B) Screw |
| 11 | 60703900 | 1 | Braccio tergi Dx. (GS) | R.H. wiper arm (LHD) | - | 10902621 | 4 | (A) Vite | (A) Screw |
| - | 60768600 | 1 | Braccio tergi Dx. (GD) | R.H. wiper arm (RHD) | 28 | 40222705 | 8 | (B) Rondella | (B) Washer |
| 12 | 61444900 | 2 | Boccola ugello lavacrystallo | Bushing | - | 12643701 | 8 | (A) Rondella | (A) Washer |
| 13 | 10571771 | 2 | Rondella fiss. braccio tergi | Washer | 29 | 50332402 | 1 | Valvola non ritorno | Non return valve |
| 14 | 61395100 | 2 | Ugello lavacrystallo | Nozzle | 30 | 103550 | 4 | (A) Distanziale fiss. motore tergi | (A) Spacer |
| | 61310700 | 1 | Assieme tubazioni tergi | Washer pipes complete | 31 | 62369500 | 1 | (A) Staffa fiss. motore tergi GS | (A) Bracket LHD |
| 15 | 50103100 | 1 | Raccordo a F | F union | - | 62378000 | 1 | (A) Staffa fiss. motore tergi GD | (A) Bracket RHD |
| 16 | 60736800 | 1 | Tubo liquido lavacrystallo | Pipe | 32 | 62369600 | 1 | (A) Guarnizione inferiore | (A) Gasket |
| 17 | 60736900 | 2 | Tubo liquido lavacrystallo | Pipe | 33 | 20181103 | 1 | (A) Anello OR di tenuta | (A) Ring |
| | | | | | 34 | 103549 | 4 | (A) Gommino | (A) Rubber shim |

(1) Solo per Coupé - (1) - Seulement pour Coupé - (1) - For Coupé only - (2) - Solo per Cabriolet - (2) - Seulement pour Cabriolet - (2) - For Cabriolet only



3₂ MONDIAL

IMPIANTO ELETTRICO
ELECTRICAL SYSTEM

TAV. 125

DATA: OTTOBRE 87

| Rif. | Dis. No. Part No. | Q.ty | DENOMINAZIONE | DESCRIPTION |
|------|----------------------|------|--|---|
| 1 | 127262 | 1 | (B) Cavi ant. - GS - No per USA Fino vettura n. 66975 | (B) Front cables - Not for US - LHD Until car no. 66975 |
| - | 131669 | 1 | (B) Cavi ant. - GS - No per USA Dalla vettura n. 66977 | (B) Front cables - Not for US - LHD From car no. 66977 |
| - | 129685 | 1 | (B) Cavi ant. - GD - Fino vettura n. 66975 | (B) Front cables - RHD - Until car no. 66977 |
| - | 131671 | 1 | (B) Cavi ant. - GD - Dalla vettura n. 66977 | (B) Front cables - RHD - From car no. 66977 |
| - | 127268 | 1 | (B) Cavi ant. - USA - Fino vettura n. 66975 | (B) Front cables - US - Until car no. 66975 |
| - | 131670 | 1 | (B) Cavi ant. - USA - Dalla vettura n. 66977 | (B) Front cables - US - From car no. 66977 |
| - | 133741 | 1 | (A) Cavi ant. - GS - No per USA | (A) Front cables - LHD - Not for US |
| - | 133548 | 1 | (A) Cavi ant. - GD | (A) Front cables - RHD |
| - | 134253 | 1 | (A) Cavi ant. - USA | (A) Front cables - US |
| 2 | 127263 | 1 | (1B) Cavi centrali - GS No per USA - SA - C7 | (1B) Central cables - LHD Not for US - SA - C7 |
| - | 128776 | 1 | (1B) Cavi centrali - GD No per AUS - Fino vettura n. 67909 | (1B) Central cables - RHD Not for AUS - From car no. 67909 |
| - | 132148 | 1 | (1B) Cavi centrali - GD No per AUS - Dalla vettura n. 67911 | (1B) Central cables - RHD Not for AUS - From car no. 67911 |
| - | 130614 | 1 | (1B) Cavi centrali - AUS | (1B) Central cables - AUS |
| - | 127269 | 1 | (1B) Cavi centrali - USA | (1B) Central cables - US |
| - | 130616 | 1 | (1B) Cavi centrali - SA | (1B) Central cables - SA |
| - | 132382 | 1 | (1B) Cavi centrali - C7 | (1B) Central cables - C7 |
| - | 131944 | 1 | (1A) Cavi centrali - GS No per USA - SA - C8 | (1A) Central cables - GS Not for US - SA - C8 |
| - | 133351 | 1 | (1A) Cavi centrali - GD - No per AUS | (1A) Central cables - RHD - Not for AUS |
| - | 134362 | 1 | (1A) Cavi centrali - AUS | (1A) Central cables - AUS |
| - | 134251 | 1 | (1A) Cavi centrali - USA | (1A) Central cables - US |
| - | 134363 | 1 | (1A) Cavi centrali - SA | (1A) Central cables - SA |
| - | 135205 | 1 | (1A) Cavi centrali - C8 | (1A) Central cables - C8 |
| - | 129013 | 1 | (2B) Cavi centrali - GS No per USA - SA - C7 | (2B) Central cables - GS Not for US - SA - C7 |
| - | 129055 | 1 | (2B) Cavi centrali - GD - Fino vettura n. 67909 | (2B) Central cables - RHD - Until car no. 67909 |
| - | 132149 | 1 | (2B) Cavi centrali - GD - Dalla vettura n. 67911 | (2B) Central cables - RHD - From car no. 67911 |
| - | 127275 | 1 | (2B) Cavi centrali - USA | (2B) Central cables - US |
| - | 130624 | 1 | (2B) Cavi centrali - SA | (2B) Central cables - SA |
| - | 132387 | 1 | (2B) Cavi centrali - C7 | (2B) Central cables - C7 |
| - | 133923 | 1 | (2A) Cavi centrali - GS No per USA - C8 | (2A) Central cables - GS Not for US - C8 |
| - | 133549 | 1 | (2A) Cavi centrali - GD | (2A) Central cables - RHD |
| - | 134359 | 1 | (2A) Cavi centrali - USA | (2A) Central cables - US |
| - | 135209 | 1 | (2A) Cavi centrali - C8 | (2A) Central cables - C8 |
| 3 | 116372 | 2 | (B) Cavi freni ant. | (B) Front brakes cables |
| - | 131946 | 2 | (A) Cavi freni ant. | (A) Front brakes cables |
| 4 | 116368 | 1 | (1) Cavi plafoniere e lunotto No per TA | (1) Cables for roof lamps and rear window - Not for TA |
| - | 118218 | 1 | (1) Cavi plafoniere e lunotto TA No per USA | (1) Cables for roof lamps and rear window TA - Not for US |
| - | 129054 | 1 | (1) Cavi plafoniere e lunotto TA - USA | (1) Cables for roof lamps and rear window - TA - US |
| - | 121511 | 1 | (2) Cavi plafoniera | (2) Cables for roof lamp |
| 5 | 116412 | 1 | (B) Cavi targa | (B) Number plate light cables |
| - | 133772 | 1 | (A) Cavi targa | (A) Number plate light cables |
| 6 | 127265 | 1 | (1B) Cavi superiori motore No per USA - CH - AUS | (1B) Upper engine cables Not for US - CH - AUS |

| Rif. | Dis. No. Part No. | Q.ty | DENOMINAZIONE | DESCRIPTION |
|------|----------------------|------|---|--|
| - | 62357700 | 1 | (1A) Cavi superiori motore No per USA - AUS - CH | (1A) Upper engine cables Not for US - AUS - CH |
| - | 127271 | 1 | (1B) Cavi superiori motore - USA - AUS | (1B) Upper engine cables - US - AUS |
| - | 62359700 | 1 | (1A) Cavi superiori motore - USA - AUS | (1A) Upper engine cables - US - AUS |
| - | 129656 | 1 | (1B) Cavi superiori motore - C6 - C7 | (1B) Upper engine cables - C6 - C7 |
| - | 135201 | 1 | Cavi superiori motore - C8 | Upper engine cables - C8 |
| - | 129015 | 1 | (2) Cavi superiori motore No per USA - CH | (2) Upper engine cables Not for US - CH |
| - | 127277 | 1 | (2) Cavi superiori motore - USA | (2) Upper engine cables - US |
| - | 129658 | 1 | (2) Cavi superiori motore - C6 - C7 | (2) Upper engine cables - C6 - C7 |
| 7 | 116988 | 1 | (1B) Cavi inferiori motore No per USA - AUS | (1B) Lower engine cables Not for US - AUS |
| - | 133926 | 1 | (1A) Cavi inferiori motore | (1A) Lower engine cables |
| - | 127272 | 1 | (1B) Cavi inferiori motore USA - AUS | (1B) Lower engine cables US - AUS |
| - | 133925 | 1 | (2A) Cavi inferiori motore | (2A) Lower engine cables |
| 8 | 127264 | 1 | (1B) Cavi motore - baule No per USA - AUS - CH | (1B) Engine - trunk cables Not for US - AUS - CH |
| - | 133742 | 1 | (1A) Cavi motore - baule - Fino vettura n. 75038 No per USA - AUS - CH | (1A) Engine - trunk cables - Until car no. 75038 Not for US - AUS - CH |
| - | 136324 | 1 | (1A) Cavi motore - baule - Dalla vettura n. 75039 No per USA - AUS - CH | (1A) Engine - trunk cables - From car no. 75039 Not for US - AUS - CH |
| - | 127270 | 1 | (1B) Cavi motore - baule - USA - AUS | (1B) Engine - trunk cables - US - AUS |
| - | 134252 | 1 | (1A) Cavi motore - baule - USA - AUS Fino vettura n. 75038 | (1A) Engine - trunk cables - US - AUS Until car no. 75038 |
| - | 136363 | 1 | (1A) Cavi motore - baule - Dalla vettura n. 75039 USA - AUS | (1A) Engine - trunk cables - From 75039 Not for US - AUS |
| - | 129655 | 1 | (1) Cavi motore - baule - C6 | (1) Engine - trunk cables - C6 |
| - | 132383 | 1 | (1) Cavi motore - baule - C7 | (1) Engine - trunk cables - C7 |
| - | 135206 | 1 | Cavi motore - baule - C8 | Engine - trunk cables - C8 |
| - | 129014 | 1 | (2) Cavi motore - baule - Fino vettura n. 67851 No per USA - CH - Per GD sempre Ok | (2) Engine - trunk cables - Until car no. 67851 Not for US - CH - For RHD always Ok |
| - | 132324 | 1 | (2B) Cavi motore - baule - Dalla vettura n. 67853 No per USA - CH - GD | (2B) Engine - trunk cables - From car no. 67853 Not for US - CH - RHD |
| - | 133924 | 1 | (2A) Cavi motore - baule No per USA - CH | (2A) Engine - trunk cables Not for US - CH |
| - | 127276 | 1 | (2B) Cavi motore - baule - USA Fino vettura n. 67851 | (2B) Engine - trunk cables - US Until car no. 67851 |
| - | 132325 | 1 | (2B) Cavi motore - baule - USA Dalla vettura n. 67853 | (2B) Engine - trunk cables - US From car no. 67853 |
| - | 134360 | 1 | (2A) Cavi motore - baule - USA | (2A) Engine - trunk cables - US |
| - | 129657 | 1 | (2B) Cavi motore - baule - C6 Fino vettura n. 67851 | (2B) Engine - trunk cables - C6 Until car no. 67851 |
| - | 132326 | 1 | (2B) Cavi motore - baule - C6 Dalla vettura n. 67853 | (2B) Engine - trunk cables - C6 From car no. 67853 |
| - | 132388 | 1 | (2B) Cavi motore - baule - C7 | (2B) Engine - trunk cables - C7 |
| - | 135210 | 1 | Cavi motore - baule - C8 | Engine - trunk cables - C8 |
| 9 | 117538 | 2 | Cavi proiettori | Cables for front headlamps |
| 10 | 119440 | 1 | Cavi comando condizionatore | Cables for conditioner |
| 11 | 128152 | 1 | Cavi porta Dx. - GS | Cables for R.H. door - LHD |
| - | 128778 | 1 | Cavi porta Dx. - GD | Cables for R.H. door - RHD |
| 12 | 128151 | 1 | Cavi porta Sx. - GS | Cables for L.H. door - LHD |
| - | 128777 | 1 | Cavi porta Sx. - GD | Cables for L.H. door - RHD |
| 13 | 119428 | 1 | Cavi motorino T.A. | Cables for T.A. motor |

(1) Solo per Coupé - (1) - Seulement pour Coupé - (1) - For Coupé only - (2) - Solo per Cabriolet - (2) - Seulement pour Cabriolet - (2) - For Cabriolet only

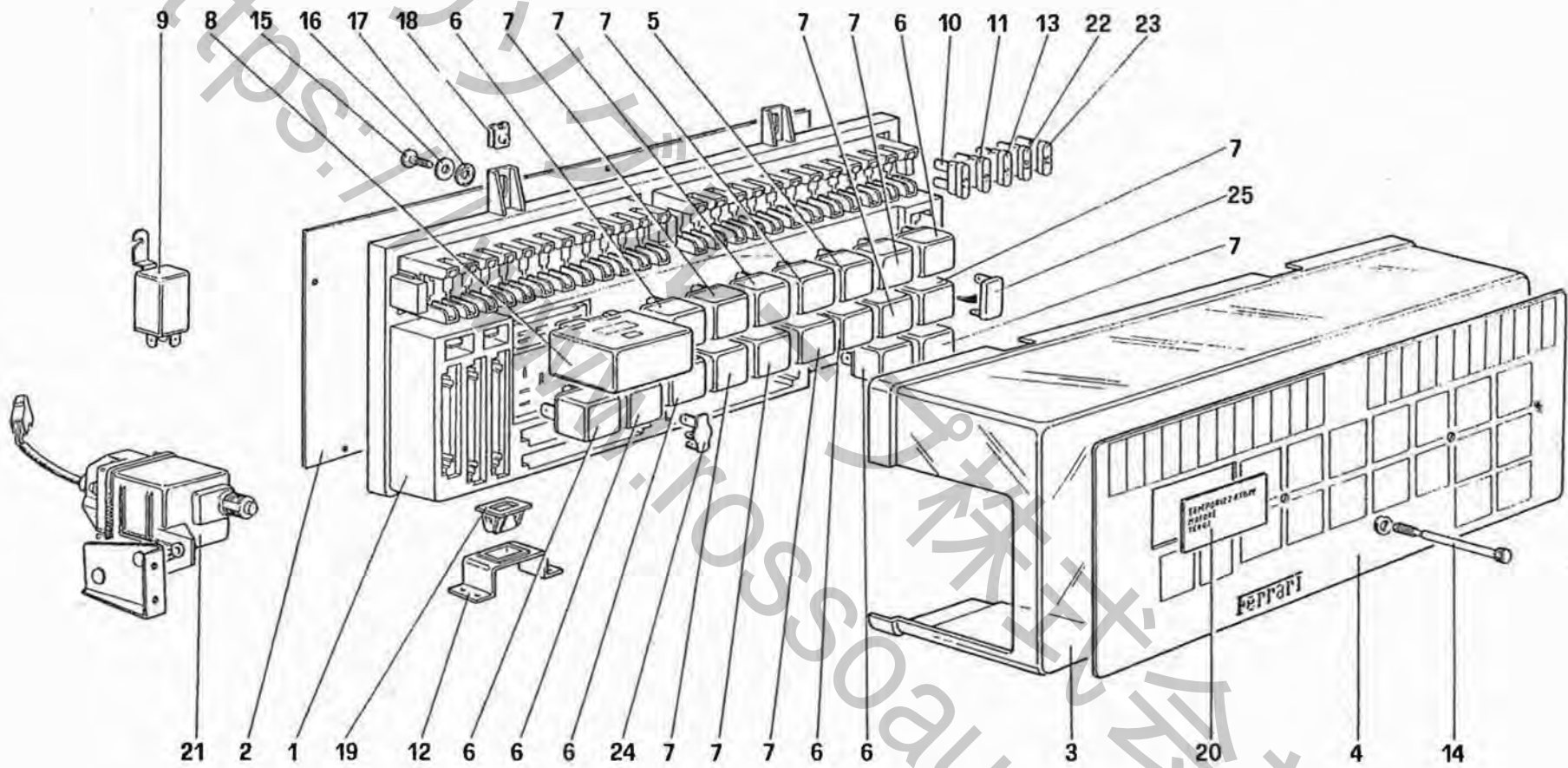
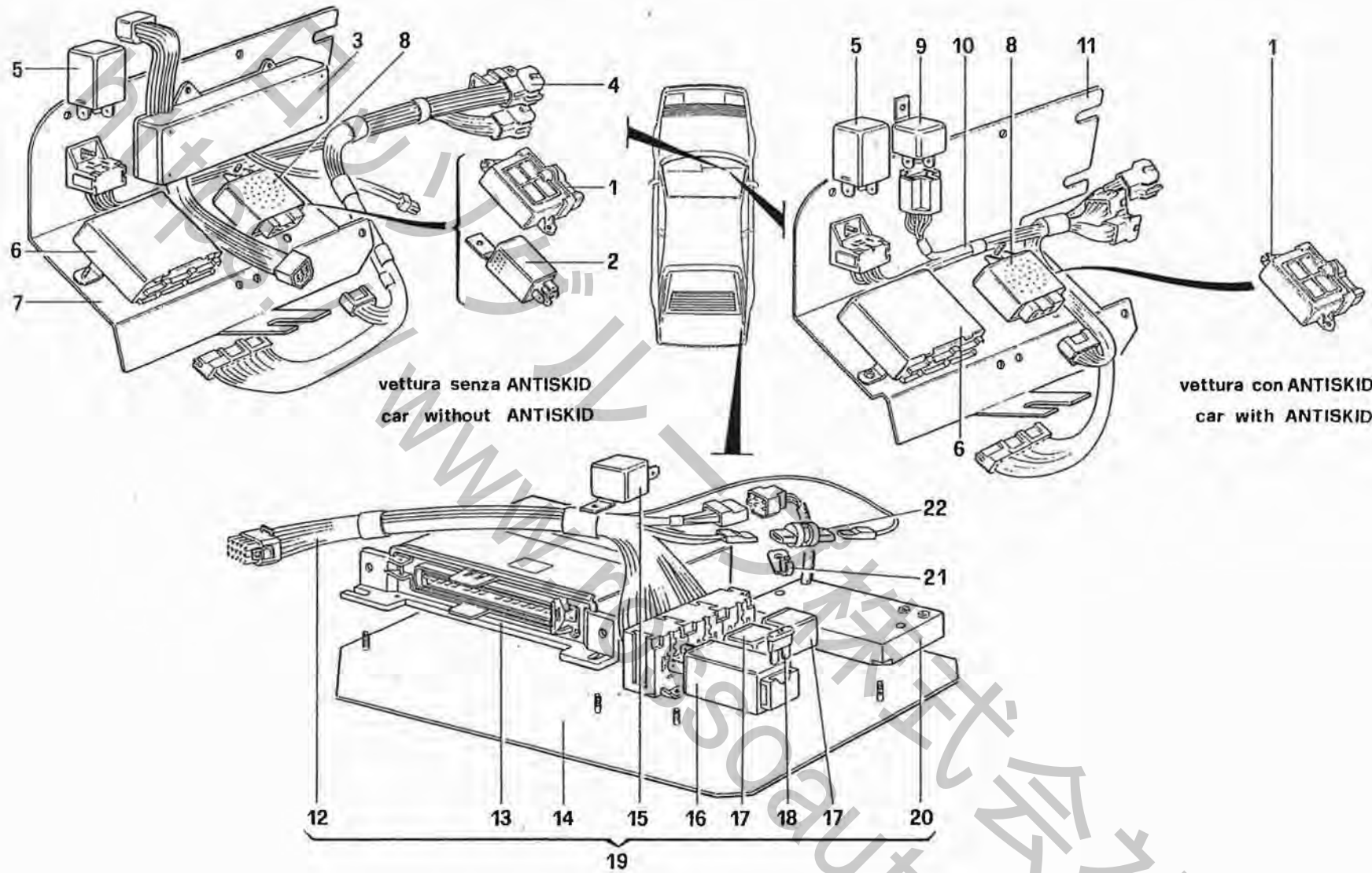


TAVOLA 120

| Rif. | Dis. No. Part No. | Q.ty | DENOMINAZIONE | DESCRIPTION | Rif. | Dis. No. Part No. | Q.ty | DENOMINAZIONE | DESCRIPTION |
|------|----------------------|------|--|--|------|----------------------|------|---|---|
| | 125467 | 1 | Centralina elettrica completa - No per C8 Per GB vale fino vettura n. 67909 | Electrical board complete - Not for C8 For GB until car no. 67909 | 13 | 125242 | 8 | Fusibile 15 A. (Per vetture con DIM - DIP Q. = 7) | Fuse 15 A. (For car with DIM - DIP Q (y = 7) |
| | 132202 | 1 | Centralina elettrica completa - No per C8 Per GB dalla vettura n. 67911 | Electrical board complete - Not for C8 For GB from car no. 67911 | 14 | 116138 | 2 | Vite | Screw |
| | 135207 | 1 | Centralina elettronica completa - Per C8 | Electrical board complete - For C8 | 15 | 13272472 | 2 | Vite | Screw |
| 1 | 116054 | 1 | Piastra centralina | Plate for electric board | 16 | 12642878 | 2 | Rondella | Washer |
| 2 | 116055 | 1 | Coperchio post. | Rear cover | 17 | 60674600 | 2 | Rondella in gomma | Rubber washer |
| 3 | 126610 | 1 | Coperchio ant. con targhe | Front cover with adhesive labels | 18 | 60215209 | 2 | Molletta | Clip |
| 4 | 126609 | 1 | Targa adesiva per centralina 125467 | Adhesive label for board 125467 | 19 | 116857 | 2 | Molletta | Clip |
| - | 133530 | 1 | Targa adesiva per centralina 132202 | Adhesive label for board 132202 | 20 | 116896 | 1 | Targa intermittitore tergi | Label for wiper intermittence |
| 5 | 40283905 | 1 | Teleruttore Bosch 0.332.015.006 | Relay Bosch 0.332.015.006 | 21 | 120821 | 1 | (B) Rilevatore di percorso - GS No per USA | (B) Speedometer sensor - LHD Not for US |
| 6 | 40130106 | 7 | Teleruttore Bosch 0.332.204.101 Quantità 6 per vetture con DIM - DIP e C8 | Relay Bosch 0.332.204.101 Quantity 6 for cars with DIM - DIP and C8 | - | 120672 | 1 | (B) Rilevatore di percorso USA - AUS | (B) Speedometer sensor US - AUS |
| 7 | 40130007 | 10 | Teleruttore Bosch 0.332.014.113 Quantità 9 per vetture C8 | Relay Bosch 0.332.014.113 Quantity 9 for cars C8 | - | 127114 | 1 | (B) Rilevatore di percorso - GD No per AUS | (B) Speedometer sensor - RHD Not for AUS |
| 8 | 115979 | 1 | Intermittenza tergi | Control switch for wiper motor | 22 | 125243 | 7 | Fusibile 20 A. con centralina 125467 | Fuse 20 A. with board 125467 |
| 9 | 61048000 | 1 | Intermittenza luci direzione No per USA | Flasher for direction lights Not for USA | - | 125243 | 8 | Fusibile 20 A. con centralina 132202 | Fuse 20 A. with board 132202 |
| - | 61651800 | 1 | Intermittenza luci direzione - Per USA | Flasher for direction lights - For US | 23 | 126031 | 2 | Fusibile 25 A. | Fuse 25 A. |
| 10 | 125240 | 4 | Fusibile 7,5 A. | Fuse 7,5 A. | 24 | 115459 | 1 | Ponticello - GD - Dal 66911 al posto del relay alzarari luci anabbaglianti | Bridge - RHD - From 66911 replaces relay for main beam lifting motor |
| 11 | 125241 | 2 | Fusibile 10 A. - Per USA Quantità 3 | Fuse 10 A. - For US Quantity 3 | 25 | 61936600 | 1 | Ponticello - Per C8 | Bridge - For C8 |
| 12 | 60754300 | 2 | Staffa fiss. centralina | Bracket | | | | | |

(1) Solo per Coupé - (1) - Seulement pour Coupé - (1) - For Coupé only - (2) - Solo per Cabriolet - (2) - Seulement pour Cabriolet - (2) - For Cabriolet only



IAVOLA 127

| Rif. | Dis. No. Part No. | Q.ty | DENOMINAZIONE | DESCRIPTION | Rif. | Dis. No. Part No. | Q.ty | DENOMINAZIONE | DESCRIPTION |
|------|----------------------|------|--|---|------|----------------------|------|---|--|
| 1 | 130615 | 1 | Sensore tachimetrico con cicalino - Per SA | Tachimetric sensor + acustic buzzer - For SA | - | 62356400 | 1 | (1A) Piastra centralina - Per AUS - USA - SA | (1A) Plate for ECU - For AUS - US - SA |
| 2 | 131486 | 1 | Segnalatore acustico insufficiente | Acustic buzzer for low oil | - | 61872900 | 1 | (2B) Piastra centralina - Per USA - SA | (2B) Plate for ECU - For US - SA |
| | | 1 | Pressione olio e temperatura elevata agli scarichi - Per C7 | Pressure and high exhaust temperature For C7 | - | 62375500 | 1 | (2A) Piastra centralina - Per USA - SA | (2A) Plate for ECU - For US - SA |
| 3 | 61835300 | 1 | Stadio di potenza - No per USA | Electronic unit - Not for US | - | 62356400 | 1 | Piastra centralina - Per C7 | Plate for ECU - For C7 |
| | 61835400 | 1 | Stadio di potenza - Per USA | Electronic unit - For US | 15 | 62374200 | 1 | Relay comando interruttore di arricchimento in accelerazione | Relay for enrichment during acceleration |
| 4 | 127267 | 1 | Cavi - No per USA - SA - C7 | Cables - Not for US - SA - C7 | 16 | 61766200 | 1 | Relay protezione impianto Sonda Lambda - Per USA - AUS | Relay for oxygen sensor For US - AUS |
| | 132385 | 1 | Cavi - Per C7 | Cables - For C7 | | | | | |
| | 127273 | 1 | Cavi - Per USA | Cables - For US | 17 | 40130106 | 2 | Relay deviatore comando Sonda Lambda - Per USA - AUS | Relay for oxygen sensor For US - AUS |
| | 130617 | 1 | Cavi - Per SA | Cables - For SA | | | | | |
| 5 | 60870200 | 1 | Temporizzatore luci interne | Timer for interior lights | 18 | 125241 | 1 | Fusibile 10 A. - Per USA - AUS | Fuse 10 A. - For US - AUS |
| 6 | 61787800 | 1 | Centralina regolazione clima | Electronic unit internal temperature | 19 | 61747200 | 1 | (1B) Assieme piastra Sonda Lambda - Per USA - AUS | (1B) Plate complete oxygen sensor For US - AUS |
| 7 | 61788200 | 1 | Pannello appoggiapiedi - Per GS - No per SA | Panel - For LHD - Not for SA | | 62375400 | 1 | (1A) Assieme piastra Sonda Lambda Per USA - AUS | (1A) Plate complete oxygen sensor For US - AUS |
| | 61878000 | 1 | Pannello appoggiapiedi - Per GD | Panel - For RHD | | 62347500 | 1 | Assieme piastra Sonda Lambda - C7 | Plate complete oxygen sensor - For C7 |
| | 61966100 | 1 | Pannello appoggiapiedi - Per SA | Panel - For SA | | 61876300 | 1 | (2B) Assieme piastra Sonda Lambda Per USA | (2B) Plate complete oxygen sensor For US |
| 8 | 61830700 | 1 | Centralina cinture di sicurezza - Per USA - SA | Seat belts control unit US - SA | | 62375600 | 1 | (2A) Assieme piastra Sonda Lambda Per USA | (2A) Plate complete oxygen sensor For US |
| 9 | 61914500 | 1 | Teleinterruttore controllo spia freni No per USA | Control relay for brake warning light Not for US | 20 | 61402500 | 1 | (B) Centralina elettronica catalizzatore Per USA - AUS | (B) Catalytic converter control unit For US - AUS |
| 10 | 133891 | 1 | Cavi - No per USA - SA | Cables - Not for US - SA | | 62347000 | 1 | (A) Centralina elettronica catalizzatore Per USA - AUS | (A) Catalytic converter control unit For US - AUS |
| | 134254 | 1 | Cavi - Per USA | Cables - For USA | | 62347000 | 1 | Centralina elettronica catalizzatore - Per C7 | Catalytic converter control unit - For C7 |
| | 134498 | 1 | Cavi - Per SA | Cables - For SA | 21 | 61423400 | 1 | Molletta per diodo - Per USA - AUS | Clip for diode - For US - AUS |
| 11 | 62339400 | 1 | Pannello appoggiapiedi - Per GS - No per SA | Panel - For LHD - Not for SA | 22 | 121776 | 1 | Diodo - Per USA - AUS | Diode - For US - AUS |
| | 62378700 | 1 | Pannello appoggiapiedi - Per GD | Panel - For RHD | | | | | |
| | 62450000 | 1 | Pannello appoggiapiedi - Per SA | Panel - For SA | | | | | |
| 12 | 127274 | 1 | Cavi dispositivi per Sonda Lambda Per USA - AUS | Cables for oxygen sensor control For US - AUS | | | | | |
| 13 | 127479 | 1 | Centralina controllo alimentazione - Per USA | Electronic control unit - For US | | | | | |
| 14 | 61747300 | 1 | (1B) Piastra centralina - Per AUS - USA - SA | (1B) Plate for ECU - AUS - US - SA | | | | | |

(1) Solo per Coupé - (1) - Seulement pour Coupé - (1) - For Coupé only - (2) - Solo per Cabriolet - (2) - Seulement pour Cabriolet - (2) - For Cabriolet only

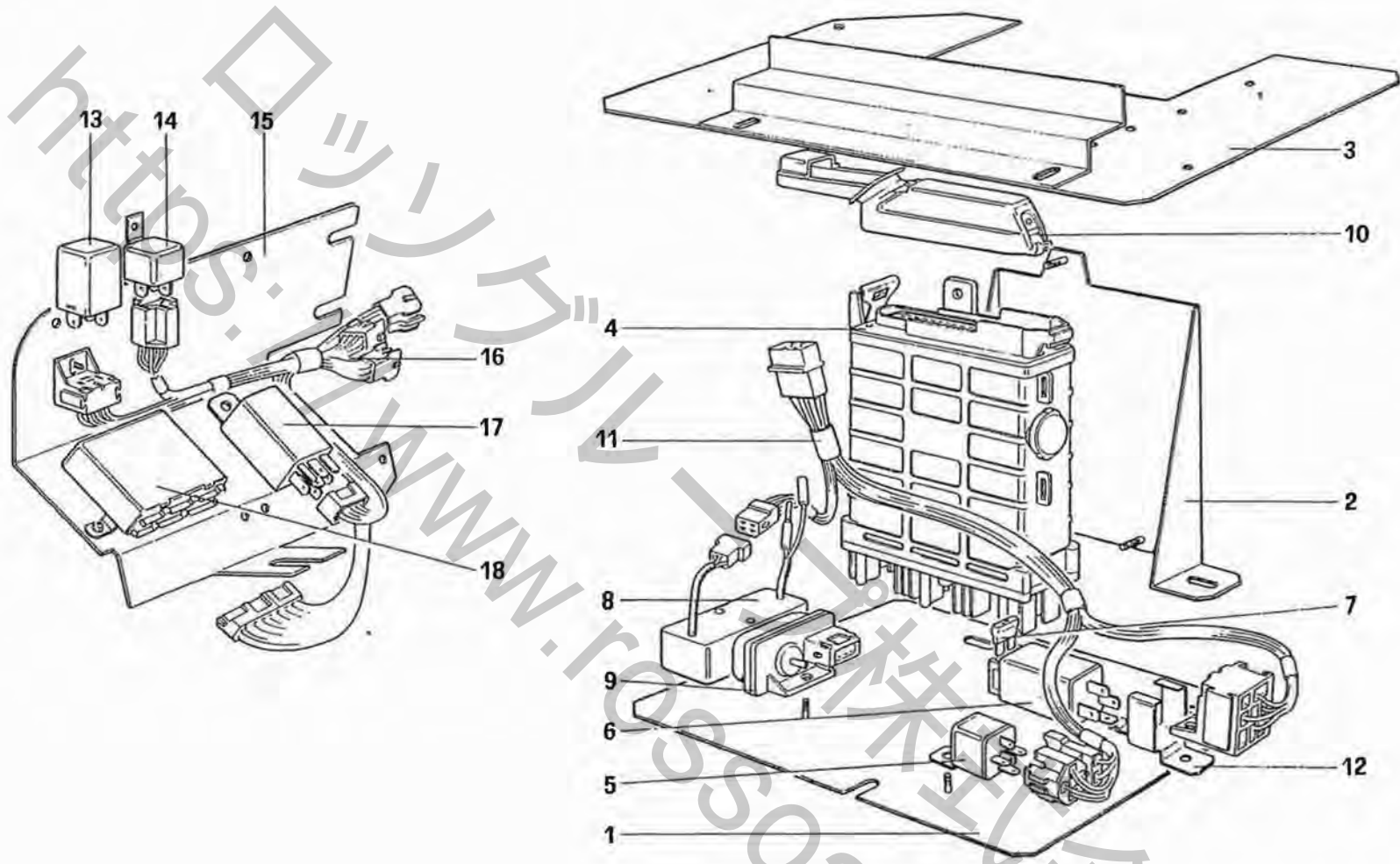


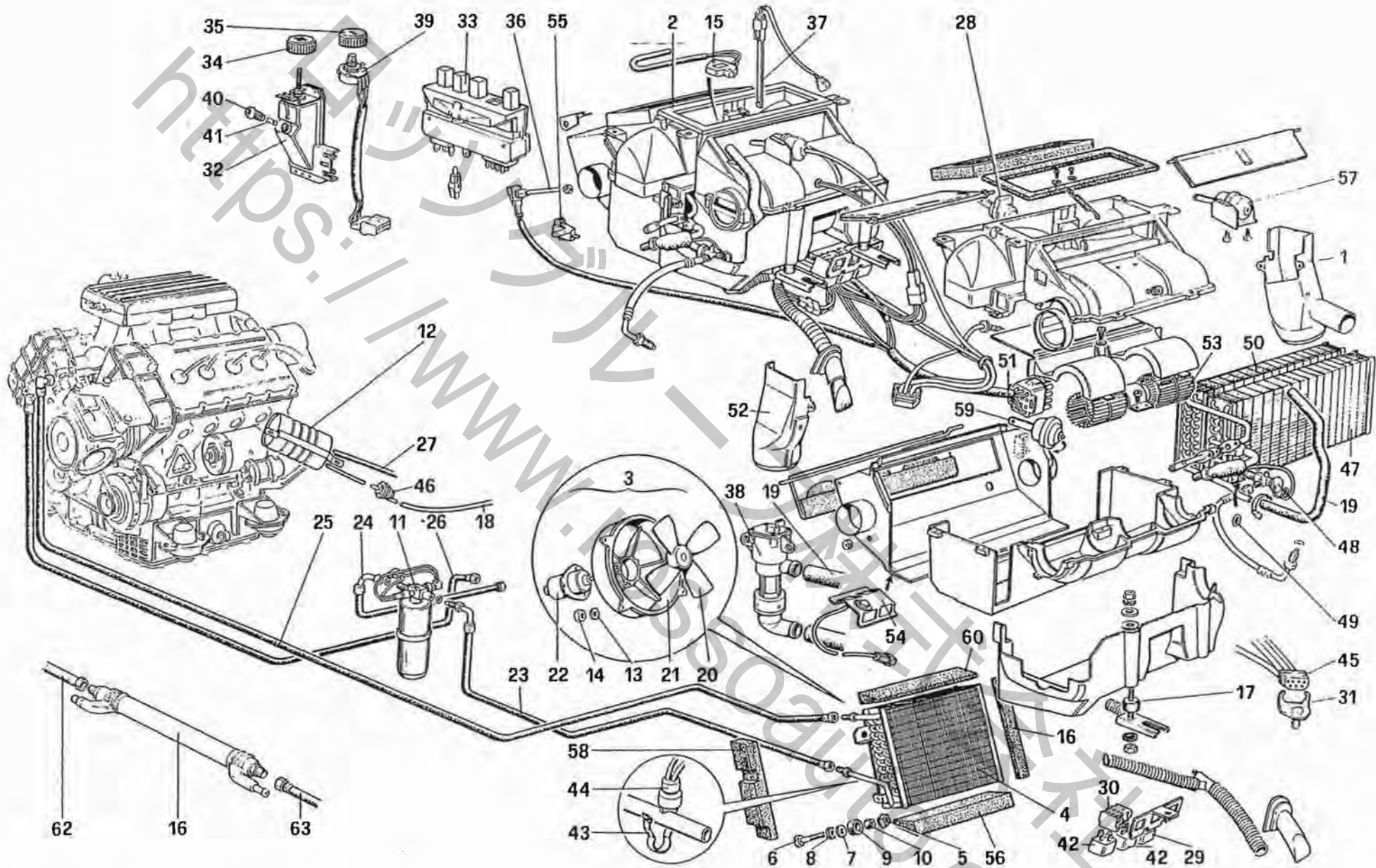
TAVOLA 128

| Rif. | Dis. No. Part No. | Q.ty | DENOMINAZIONE | DESCRIPTION |
|------|----------------------|------|---|------------------------------------|
| 1 | 62434200 | 1 | Piastra | Plate for ECU |
| 2 | 62434300 | 1 | Piastra fiss. centralina | Support |
| 3 | 62433900 | 1 | Piastra di copertura | Cover |
| 4 | 134153 | 1 | Centralina controllo alimentazione | Electronic control unit |
| 5 | 62424100 | 1 | Relay comando elettrovalvola intercettatrice aria | Relay for cut-off valve |
| 6 | 61766200 | 1 | Relay protezione impianto elettrico | Relay protection electrical system |
| 7 | 125241 | 1 | Fusibile 10 A. | Fuse 10 A. |
| 8 | 62347000 | 1 | Centralina elettronica controllo catalizzatore | Catalytic converter control unit |
| 9 | 134808 | 1 | Capsula barometrica correzione quola | Barometric valve |

| Rif. | Dis. No. Part No | Q.ty | DENOMINAZIONE | DESCRIPTION |
|------|---------------------|------|--|---------------------------------------|
| 10 | 62430400 | 1 | Collettore a 35 vie collegamento centralina iniezione KE-3 | 35 way connector for KE-3 ECU |
| 11 | 62423800 | 1 | Cavi collegamento dispositivi iniezione | Cables |
| 12 | 62349700 | 1 | Staffa fiss. relay di protezione | Bracket |
| 13 | 60870200 | 1 | Temporizzatore luci interne | Timer for interior light |
| 14 | 61914500 | 1 | Teleruttore controllo spia freni | Control relay for brake warning light |
| 15 | 62339400 | 1 | Pannello appoggia piedi | Panel |
| 16 | 133891 | 1 | Cavi | Cables |
| 17 | 62370600 | 1 | Relay tachimetrico per pompa benzina | Tachimetric relay for fuel pump |
| 18 | 61787800 | 1 | Centralina regolazione clima | Electronic unit Internal temperature |

(1) Solo per Coupé - (1) - For Coupé only - (2) - Solo per Cabriolet

(2) - Seulement pour Cabriolet - (2) - For Cabriolet only



3.2 MONDIAL

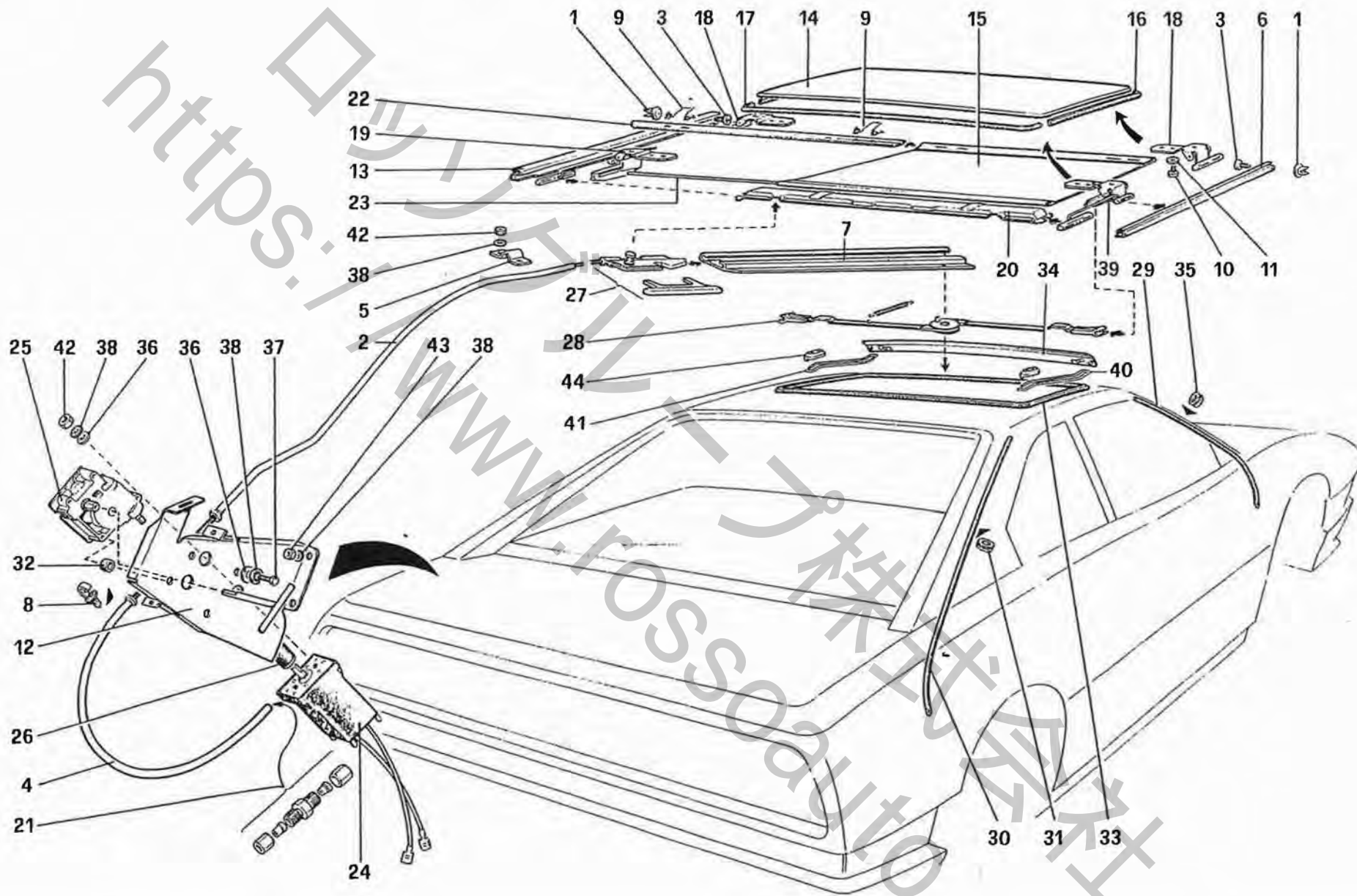
GRUPPO RISCALDATORE
HEATING SYSTEM

TAV. 129
DATA: OTTOBRE 87

TAVOLA 129

| Rif. | Dis. No. Part No. | Q.ty | DENOMINAZIONE | DESCRIPTION | Rif. | Dis. No. Part No. | Q.ty | DENOMINAZIONE | DESCRIPTION |
|------|----------------------|------|---|--|------|----------------------|------|---|--|
| 1 | 61425900 | 1 | Convogliatore Sx. - GS | L.H. conveyor - LHD | - | 61608100 | 1 | (2) Tubo evaporatore - compressore - GD | (2) Pipe evaporator - compressor - RHD |
| - | 61426300 | 1 | Convogliatore Sx. - GD | L.H. conveyor - RHD | 27 | 118502 | 1 | (1) Tubo raccordo - serbatoio del vuoto | (1) Pipe union - empty reservoir |
| 2 | 61722600 | 1 | Condizionatore completo - GS | Air condition complete - LHD | - | 124791 | 1 | (2) Tubo raccordo - serbatoio del vuoto | (2) Pipe union - empty reservoir |
| - | 61879000 | 1 | Condizionatore completo - GD | Air condition complete - RHD | 28 | 61268000 | 1 | Attuatore interno | Interior actuator |
| 3 | 61432000 | 1 | Ventilatore AC - Fino vettura n. 66975 | Fan assembly AC - Until car no. 66975 | 29 | 40130106 | 1 | Teleruttore | Relay |
| - | 61992600 | 1 | Ventilatore AC - Dalla vettura n. 66977 | Fan assembly AC - From car no. 66977 | 30 | 61430700 | 3 | Blocchetto per teleruttori | Block for relay |
| 4 | 60649100 | 1 | Condensatore AC | AC condenser | 31 | 61079900 | 1 | Staffa fiss. connettori tubi vuoto | Bracket |
| 5 | 60659100 | 1 | Dado in gabbia | Nut | 32 | 61112300 | 1 | Regolatore di velocità | Speed control unit |
| 6 | 10902611 | 3 | Vite | Screw | 33 | 61078600 | 1 | Gruppo pulsantiera - GS | Push button unit - LHD |
| - | 10902511 | 1 | Vite | Screw | - | 61131300 | 1 | Gruppo pulsantiera - GD | Push button unit - RHD |
| 7 | 12643701 | 4 | Rondella | Washer | 34 | 61112400 | 1 | Pomello regolatore velocità | Knob for speed control |
| 8 | 10615471 | 4 | Rondella | Washer | 35 | 61112500 | 1 | Pomello potenziometro | Potentiometer knob |
| 9 | 103549 | 4 | Boccola antivibrante | Antivibration bush | 36 | 61079600 | 1 | Sensore sullo scambiatore | Sensor |
| 10 | 103550 | 4 | Distanziale | Spacer | 37 | 62341000 | 1 | Sensore su evaporatore | Sensor |
| 11 | 114730 | 1 | (B) Filtro disidratatore | (B) Dryer | 38 | 61079000 | 1 | Valvola elettromagnetica | Electromagnetic valve |
| | | | Dopo esaurimento vale n. 129101 | After exhaustion use no. 129101 | 39 | 61078700 | 1 | Polenziometro | Potentiometer |
| 11 | 129101 | 1 | (A) Filtro disidratatore - GS | (A) Dryer - LHD | 40 | 60928800 | 1 | Portafusibili | Fuse holder |
| 11 | 61989500 | 1 | (A) Filtro disidratatore - GD | (A) Dryer - RHD | 41 | 60928900 | 1 | Fusibile | Fuse |
| - | 129102 | 1 | Pressostato (per filtro n. 129101 e 61989500) | Pressostat (For filters no. 129101 and 61989500) | 42 | 40130007 | 2 | Teleruttore | Relay |
| 12 | 61642700 | 1 | Serbatoio del vuoto con valvola | Vacuum reservoir with valve | 43 | 61942400 | 1 | Molletta fiss. termocontatto | Clip for thermal contact |
| 13 | 12644401 | 4 | Rondella | Washer | 44 | 61047900 | 1 | Termocontatto bimetallico | Bimetal thermal contact |
| 14 | 12574211 | 4 | Dado | Nut | 45 | 61976400 | 1 | Gruppo connettore tubi vuoto | Connection for vacuum pipes |
| 15 | 61797200 | 1 | Sensore temperatura esterna | Sensor | 46 | 61653800 | 1 | Valvola unidirezionale del vuoto | Unidirectional valve |
| 16 | 60729400 | 1 | Guarnizione | Gasket | 47 | 60929500 | 1 | Evaporatore - GS | Evaporator unit - LHD |
| 17 | 102947 | 2 | Supporto antivibrante | Antivibration support | - | 60942000 | 1 | Evaporatore - GD | Evaporator unit - RHD |
| 18 | 61739100 | 1 | Tubo | Pipe | 48 | 60929600 | 1 | Valvola espansione | Expansion valve |
| 19 | 61084700 | 1 | Tubo - GS | Pipe - LHD | 49 | 60929700 | 1 | Anello di tenuta | Sealing ring |
| - | 61150000 | 1 | Tubo - GD | Pipe - RHD | 50 | 60929800 | 1 | Riscaldatore - GS | Heater - LHD |
| 20 | 122953 | 1 | Ventola | Fan | - | 60942100 | 1 | Riscaldatore - GD | Heater - RHD |
| 21 | 60870300 | 1 | Convogliatore | Conveyor | 51 | 61976500 | 1 | Gruppo cavi elettrici | Cable assembly |
| 22 | 123136 | 1 | Motore | Electric fan motor | 52 | 61425800 | 1 | Convogliatore Dx. - GS | R.H. conveyor - LHD |
| 23 | 61369300 | 1 | Tubo condensatore - depuratore - GS | Pipe condenser - dryer - LHD | - | 62339300 | 1 | Convogliatore Dx. - GD | R.H. conveyor - RHD |
| - | 61369800 | 1 | Tubo condensatore - depuratore - GD | Pipe condenser - dryer - RHD | 53 | 60930100 | 1 | Gruppo ventilatore | Ventilator unit |
| 24 | 61369400 | 1 | Tubo depuratore - evaporatore | Pipe dryer - evaporator | 54 | 127014 | 1 | Transistor di potenza con staffa | Power transistor with bracket |
| 25 | 61607900 | 1 | Tubo compressore - condensatore - GS | Pipe compressor - condenser - LHD | 55 | 60931200 | 1 | Microswitch | Microswitch |
| - | 61607900 | 1 | (B) Tubo compressore - condensatore - GS | (B) Pipe compressor - condenser - RHD | 56 | 60729100 | 1 | Guarnizione | Gasket |
| - | 62383500 | 1 | (A) Tubo compressore - condensatore - GS | (A) Pipe compressor - condenser - RHD | 57 | 60930500 | 1 | Attuatore | Actuator |
| 26 | 61607700 | 1 | (1) Tubo evaporatore - compressore - GS | (1) Pipe evaporator - compressor - LHD | 58 | 60729300 | 1 | Guarnizione | Gasket |
| - | 61607800 | 1 | (1) Tubo evaporatore - compressore - GD | (1) Pipe evaporator - compressor - RHD | 59 | 60930700 | 1 | Attuatore | Actuator |
| - | 61608000 | 1 | (2) Tubo evaporatore - compressore - GS | (2) Pipe evaporator - compressor - LHD | 60 | 60729200 | 1 | Guarnizione | Gasket |

(1) Solo per Car (1) - Seulement pour Coupé - (1) - For Coupé only - (2) - Solo per Cabriolet (2) - Seulement pour Cabriolet - (2) - For Cabriolet only



3.2 MONDIAL

TETTO APRIBILE — 3.2 Mondial Coupé
 SUN ROOF — 3.2 Mondial Coupé

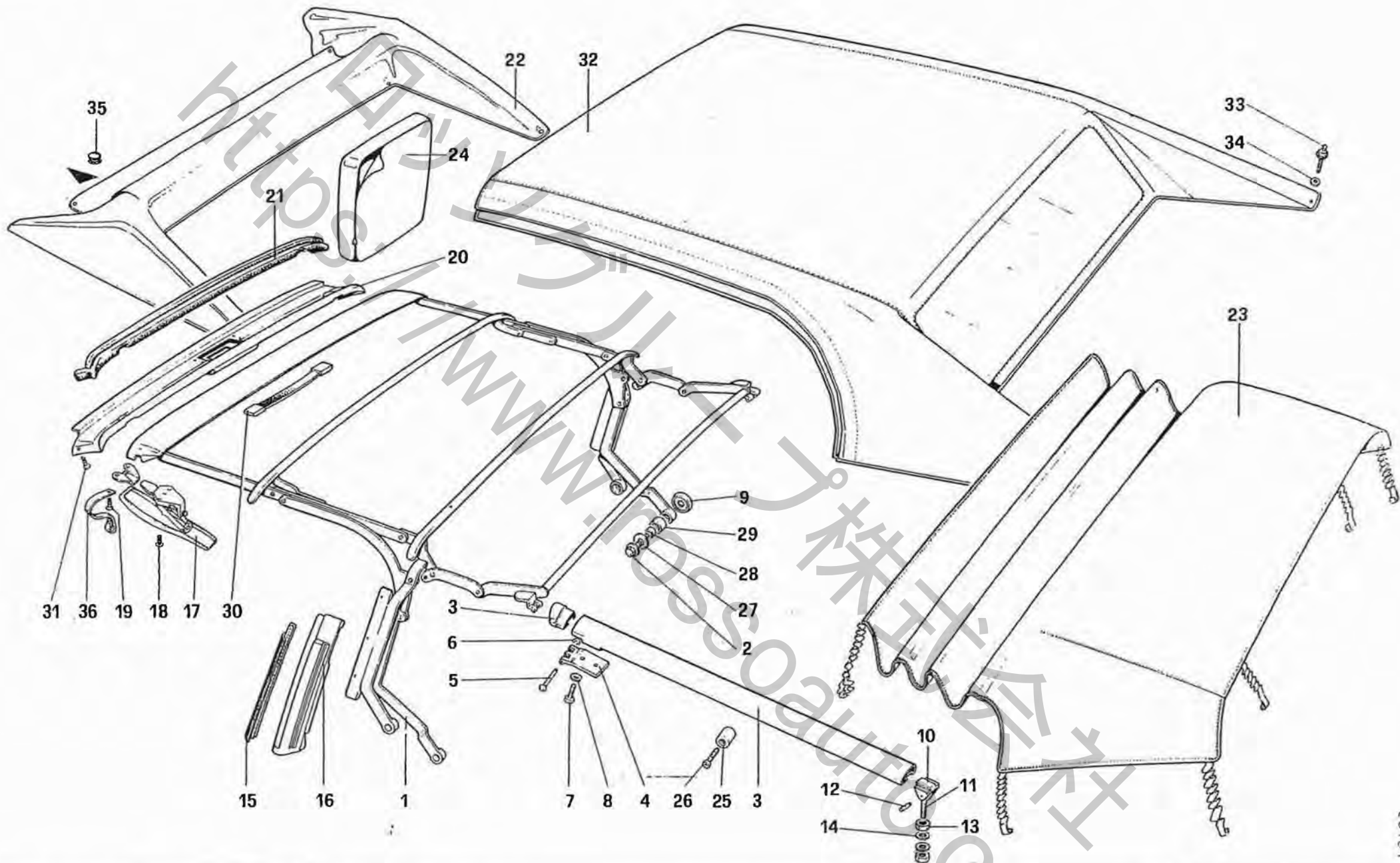
TAV. 130
 DATA: OTTOBRE 87

60003

TAVOLA 130

| Rif. | Dis. No. Part No. | Q.ty | DENOMINAZIONE | DESCRIPTION | Rif. | Dis. No. Part No. | Q.ty | DENOMINAZIONE | DESCRIPTION |
|------|----------------------|------|--|---------------------------------|------|----------------------|------|--|---------------------------------|
| 1 | 60911800 | 2 | Madrevite fiss. ant. guida | Nut screw | 22 | 60963900 | 1 | Guida di lensione rivestimento | Guide |
| 2 | 60911700 | 1 | Tubo guida cavo - Fino 75038 | Tube - Until 75038 | 23 | 60964000 | 1 | Tondino | Rod |
| - | 62447100 | 1 | Tubo guida cavo - Dal 75039 | Tube - From 75039 | 24 | 60964200 | 1 | Motore - Fino 75038 | Motor - Until 75038 |
| 3 | 60911900 | 2 | Vite | Screw | - | 62446800 | 1 | Motore - Dal 75039 | Motor - From 75039 |
| 4 | 60970400 | 1 | Tubo - Fino 75038 | Tube - Until 75038 | 25 | 60964300 | 1 | Riduttore - Fino 75038 | Reduction gear - Until 75038 |
| - | 62447000 | 1 | Tubo - Dal 75039 | Tube - From 75039 | 26 | 60964400 | 1 | Giunto elastico - Fino 75038 | Flexible coupling - Until 75038 |
| 5 | 60916100 | 3 | Staffa fiss. tubo guida cavo | Bracket | 27 | 60970200 | 1 | Cavo | Cable |
| 6 | 60964700 | 1 | Guida ant. Dx. | Right front guide | 28 | 60976600 | 1 | Leveraggio di innalzamento | Leverage |
| 7 | 61310500 | 1 | Guida completa | Guide | 29 | 60915600 | 2 | Tubo ant. scarico acqua | Front drain tube |
| 8 | 14573480 | 3 | Mollella | Clip | 30 | 60915700 | 2 | Tubo post. scarico acqua | Rear drain tube |
| 9 | 60963800 | 2 | Molla di arresto | Stop spring | 31 | 10396680 | 2 | Anello isolante tubi acqua post. | Insulating ring for rear tubes |
| 10 | 60965100 | 12 | Vite fiss. piastra ant. e post. | Screw for front and rear plate | 32 | 60915800 | 4 | Distanziale fiss. riduttore - Fino 75038 | Spacer - Until 75038 |
| 11 | 60965200 | 12 | Rondella elastica fiss. piastra | Spring washer | 33 | 60962900 | 1 | Guarnizione | Gasket |
| 12 | 60917300 | 1 | Supporto motorino e riduttore - Fino 75038 | Support for motor - Until 75038 | 34 | 61105200 | 1 | Spoiler | Spoiler |
| - | 62446600 | 1 | Supporto motorino e riduttore - Dal 75039 | Support for motor - From 75039 | 35 | 10396280 | 2 | Anello isolante tubi acqua ant. | Insulating ring for front tubes |
| 13 | 60964600 | 1 | Guida ant. Sx. | Left front guide | 36 | 12638101 | 6 | Rondella | Washer |
| 14 | 60913300 | 1 | Tetto scorrevole completo | Sliding roof, complete | 37 | 10978221 | 4 | Vite - Fino 75038 | Screw - Until 75038 |
| 15 | 61030000 | 1 | Rivestimento interno | Inner covering | 38 | 10615371 | 12 | Rondella | Washer |
| 16 | 60963100 | 1 | Guarnizione ant. e laterale | Front, side gasket | 39 | 60963700 | 1 | Piastra post. Dx. di guida | Rear right guide plate |
| 17 | 60963200 | 1 | Guarnizione post. | Rear gasket | 40 | 61105400 | 1 | Molla Dx. | R.H. spring |
| 18 | 60963500 | 2 | Piastra ant. di guida | Front guide plate | 41 | 61105300 | 1 | Molla Sx. | L.H. spring |
| 19 | 60963600 | 1 | Piastra post. Sx. di guida | Rear left guide plate | 42 | 15896411 | 8 | Dado | Nut |
| 20 | 60913600 | 1 | Traversa mobile | Mobile traverse | 43 | 12574211 | 2 | Dado | Nut |
| 21 | 60964900 | 1 | Terminale arresto cavo | Cable terminal | 44 | 61105600 | 2 | Staffa fiss. post. molla | Bracket |

(1) Solo per Cav (1) - Seulement pour Coupé - (1) - For Coupé only - (2) - Solo per Cabriolet (2) - Seulement pour Cabriolet - (2) - For Cabriolet only



3MONDIAL
3.2

CAPOTE — Cabriolet

TOP — Cabriolet

TAV. 131

DATA: OTTOBRE 87

TAVOLA 131

| Rif. | Dis. No. Part No. | Q.ty | DENOMINAZIONE | DESCRIPTION |
|------|----------------------|------|---|---|
| 1 | 61826700 | 1 | Intelalatura con tessuto nero Per copricapote in tela | Top frame with black cloth For cloth top cover |
| - | 61826100 | 1 | Intelalatura con tessuto blu Per copricapote in tela | Top frame with blue cloth For cloth top cover |
| - | 61712700 | 1 | Intelalatura con tessuto nero Per copricapote in pelle | Top frame with black cloth For skin top cover |
| - | 61827200 | 1 | Intelalatura con tessuto blu Per copricapote in pelle | Top frame with blue cloth For skin top cover |
| 2 | 61424100 | 4 | Vite | Screw |
| 3 | 61298100 | 1 | Tendipinna Dx. con fondello | Right fins tensioner with end |
| - | 61298200 | 1 | Tendipinna Sx. con fondello | Left fins tensioner with end |
| 4 | 61333800 | 1 | Cerniera Dx. | Right hinge |
| - | 61305800 | 1 | Cerniera Sx. | Left hinge |
| 5 | 40028904 | 2 | Perno | Pin |
| 6 | 11065476 | 4 | Seeger | Seeger |
| 7 | 60801600 | 4 | Vite | Screw |
| 8 | 106850 | 4 | Rondella | Washer |
| 9 | 61425200 | 4 | Guarnizione | Gasket |
| 10 | 61306600 | 2 | Slitta | Slide |
| 11 | 61306700 | 2 | Uniball | Uniball |
| 12 | 61306800 | 2 | Perno | Pin |
| 13 | 10788511 | 2 | Dado | Nut |
| 14 | 12642021 | 4 | Rondella | Washer |
| 15 | 61411300 | 2 | Guarnizione | Gasket |
| 16 | 61720300 | 1 | Montante Dx. | R.H. pillar |

| Rif. | Dis. No. Part No. | Q.ty | DENOMINAZIONE | DESCRIPTION |
|------|----------------------|------|---------------------------------------|------------------------------------|
| - | 61720400 | 1 | Montante Sx. | L.H. pillar |
| 17 | 61758500 | 2 | Gancio chiusura capote con 61759000 | Hook for top closing with 61759000 |
| 18 | 13301417 | 4 | Vite | Screw |
| 19 | 13299517 | 4 | Vite | Screw |
| 20 | 61236300 | 1 | Ossatura superiore parabrezza | Upper framework windshield |
| 21 | 61322600 | 1 | Guarnizione | Gasket |
| 22 | 61251200 | 1 | Copricapote in tela | Cloth top cover |
| - | 61711300 | 1 | Copricapote in pelle opzionale | Skin top cover optional |
| 23 | 61251400 | 1 | Tonneau cover - Solo per USA | Tonneau cover - USA only |
| 24 | 61368600 | 1 | Busta contenitore copricapote | Bag for top cover |
| 25 | 61302600 | 2 | Rullino | Roller |
| 26 | 61402100 | 2 | Vite | Screw |
| 27 | 12642006 | 4 | Rondella | Washer |
| 28 | 61758900 | 4 | Distanziale | Spacer |
| 29 | 101677 | 4 | Cuscinetto | Roller bearing |
| 30 | 61758400 | 1 | Maniglia | Handle |
| 31 | 13310917 | 4 | Vite | Screw |
| 32 | 61250700 | 1 | Tessuto nero per copricapote in tela | Black cloth for cloth top cover |
| - | 61250701 | 1 | Tessuto blu per copricapote in tela | Blue cloth for cloth top cover |
| - | 61711200 | 1 | Tessuto nero per copricapote in pelle | Black cloth for skin top cover |
| - | 61711201 | 1 | Tessuto blu per copricapote in pelle | Blue cloth for skin top cover |
| 33 | 61632100 | 6 | Perno | Pin |
| 34 | 61195300 | 6 | Rondella in plastica | Washer |
| 35 | 60727200 | - | Bottoni su copricapote | Knob for cover |
| 36 | 61759000 | 2 | Cinturino di bloccaggio | Strap |

(1) Solo per Coupé - (1) - Seulement pour Coupé - (1) - For Coupé only - (2) - Solo per Cabriolet - (2) - Seulement pour Cabriolet - (2) - For Cabriolet only